

Für den professionellen Anwender

# GLOBAL

Ersatzteilkatalog

*For the professional user*

*Spare parts catalogue*

Klasse:  
Class:

# 443-1 / 444-2

Stand:  
*Dated:*

# STROBEL

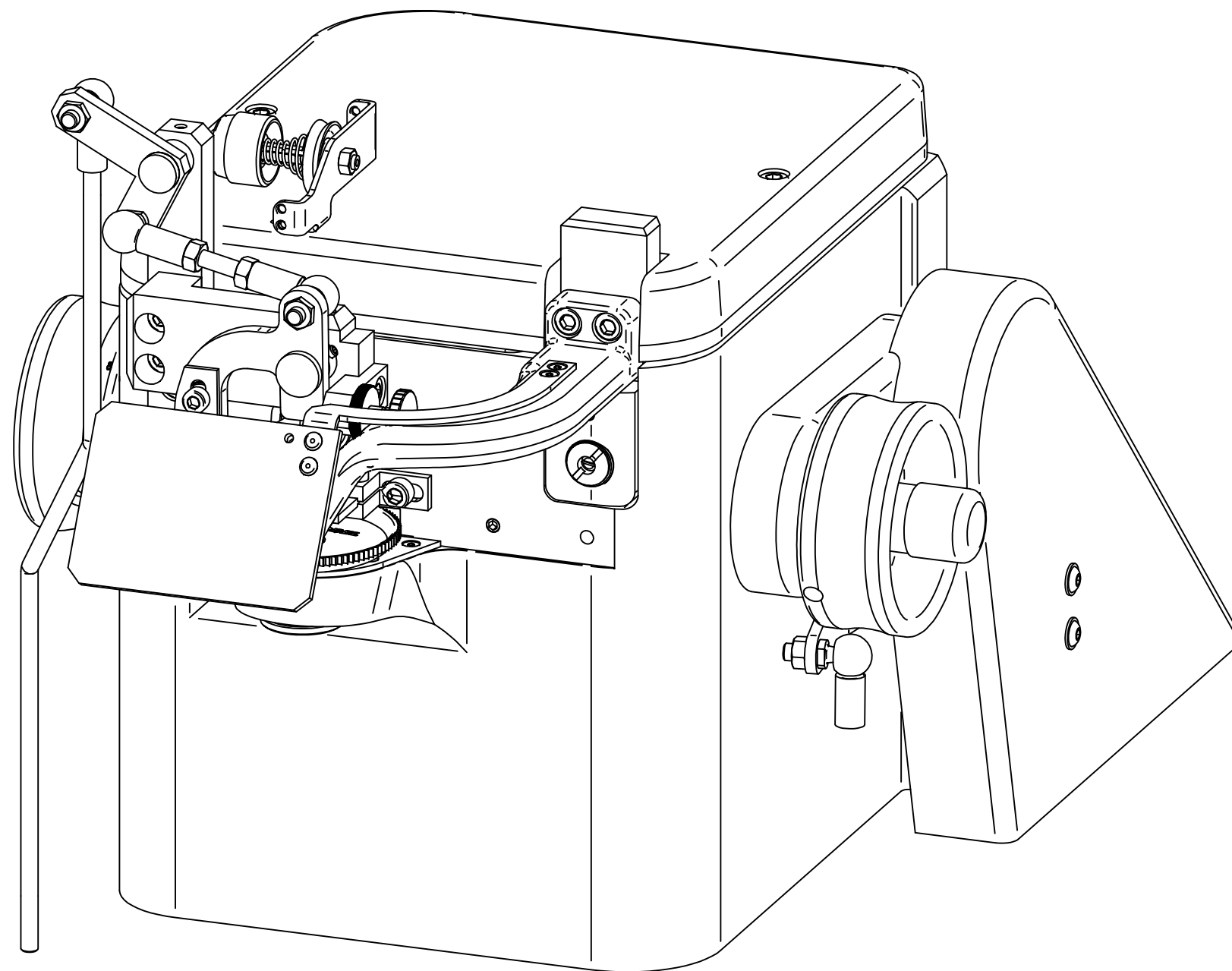
## Im Zeichen der Qualität

**S**ie finden die Strobel-Schutzmarke auf jeder Strobel-Maschine, die unser Werk verlässt. Und das aus gutem Grund. Denn dieses Zeichen garantiert Ihnen die hohe Qualität unserer Produkte. Qualität, die Vertrauen schafft - in unsere Technik, unseren Service und nicht zuletzt in unseren guten Namen.

### *The sign of quality*

*You find the Strobel trademark on every Strobel machine leaving our works. And with good reason. This symbol is a guarantee of the high quality of our products. Quality which creates trust - trust in our technology, our service and, not least of all, in our good name.*

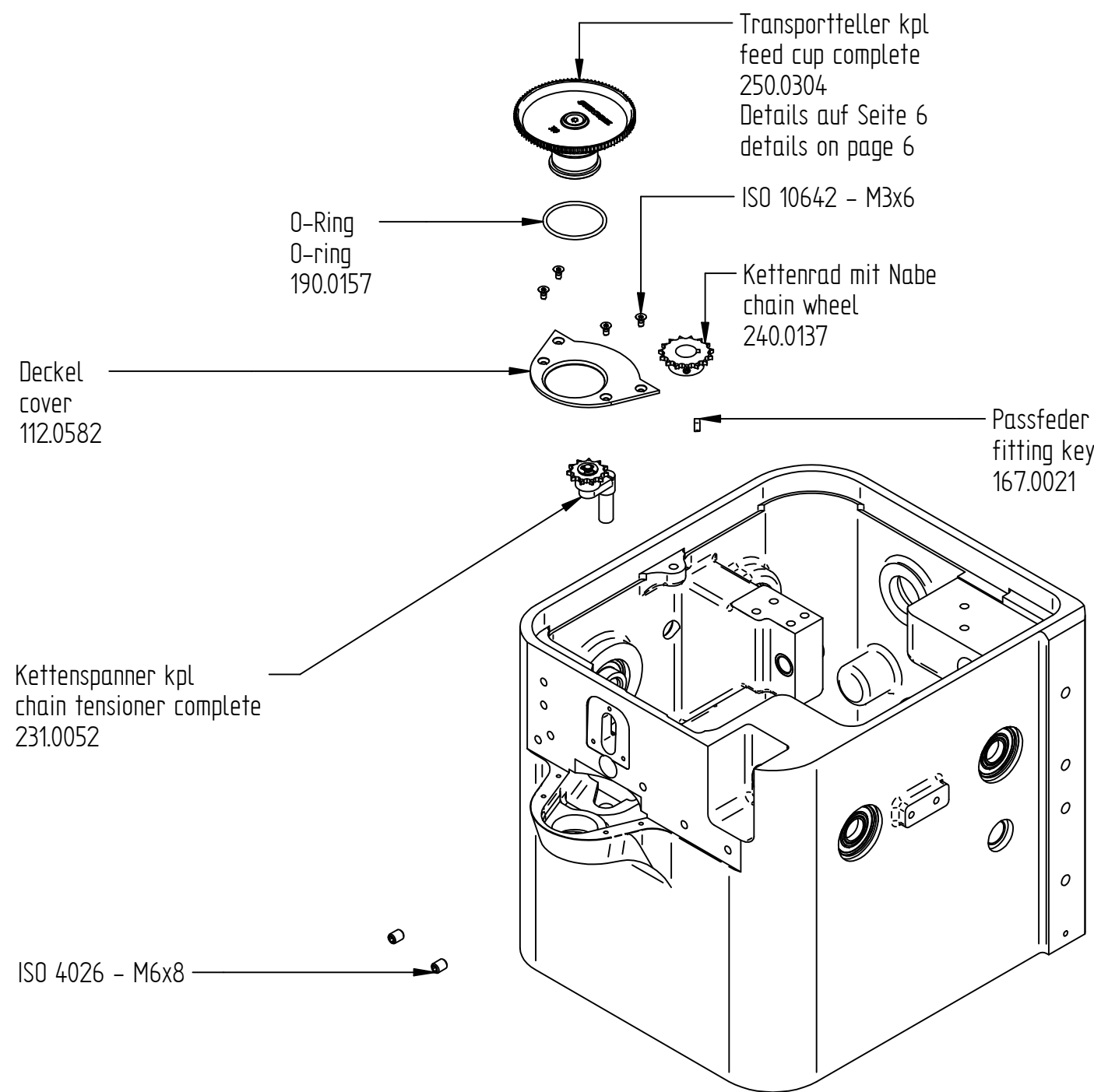




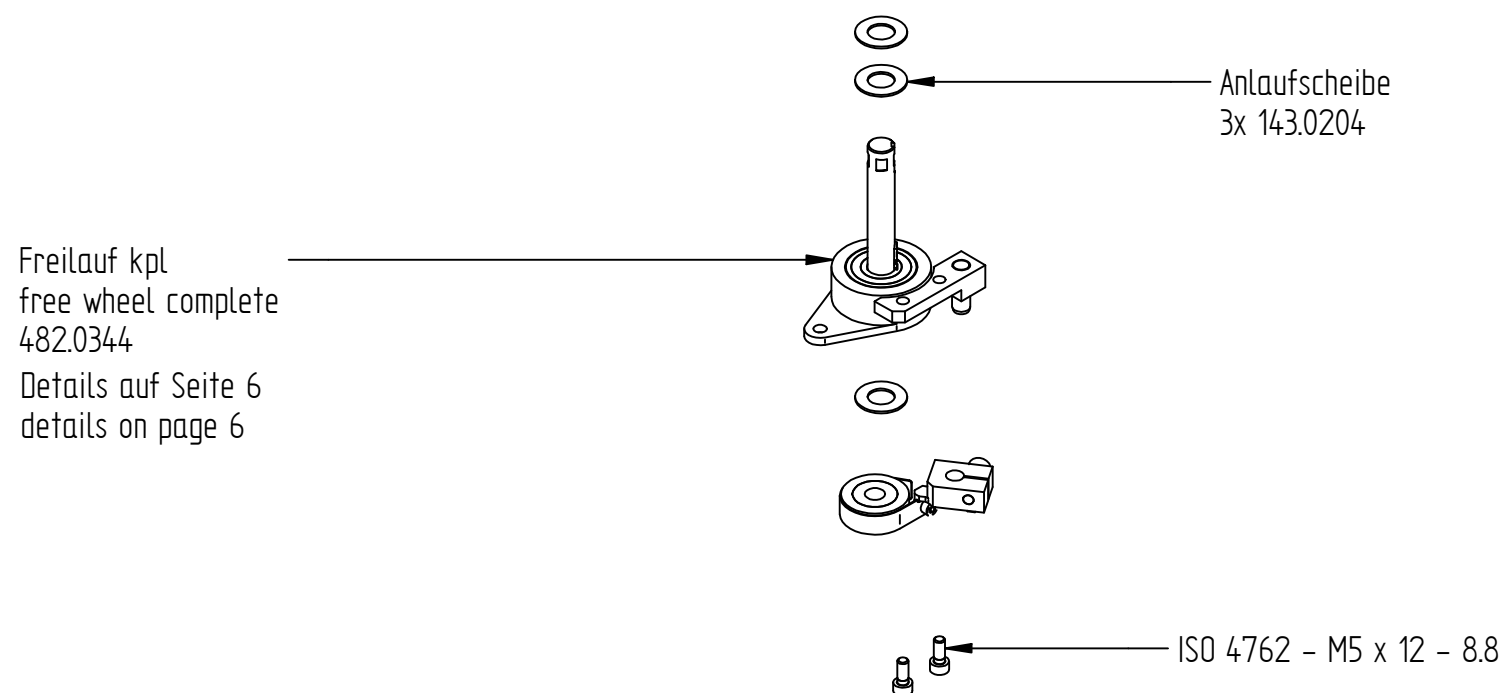
Übersicht  
Overview

Inhaltsverzeichnis / contents			Inhaltsverzeichnis / contents		
Seite/page 4	Übersicht	Overview	Seite/page 17	Lagerarm 443-2 Details	Bearing arm 443-2 details
Seite/page 5	Transportteller	Feed cup	Seite/page 18	Materialführung	Material guide
Seite/page 6	Transportteller Details	Feed cup details	Seite/page 19	Zahnriemen 443-1	Toothed belt 443-1
Seite/page 7	Hauptwelle	Main shaft	Seite/page 20	Zahnriemen 443-2	Toothed belt 443-2
Seite/page 8	Hauptwelle Details	Main shaft details	Seite/page 21	Deckel oben	Top cover
Seite/page 9	Handrad links	Handwheel left	Seite/page 22	Fadenspannung	Thread tension
Seite/page 10	Lüftung	Lifting	Seite/page 23	Abdeckungen	Cover
Seite/page 11	Nadelstange	Needle bar	Seite/page 24	Schutzvorrichtung 443-2	Protection device 443-2
Seite/page 12	Nadelstange Details	Needle bar details	Seite/page 25	Einhaltevorrichtung	Gathering device
Seite/page 13	Greifer	Looper	Seite/page 26	Gestänge	Connecting rod
Seite/page 14	Greifer Details	Looper details	Seite/page 27	Kniehebel	Knee lever
Seite/page 15	Lagerarm 443-1	Bearing arm 443-1	Seite/page 28	Zusatzausstattung 1	Optional parts 1
Seite/page 16	Lagerarm 443-2	Bearing arm 443-2	Seite/page 29	Zusatzausstattung 2	Optional parts 2

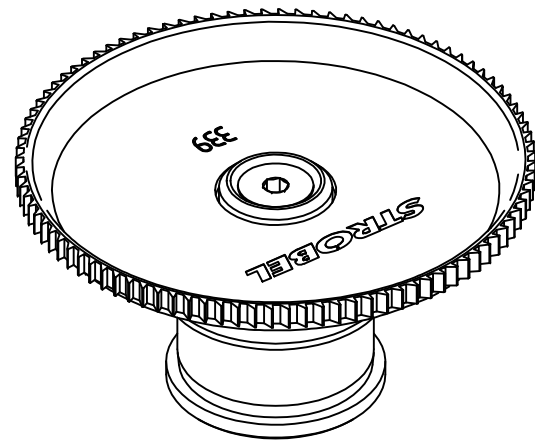
Transportteller  
Feed cup



Rollenkette kpl.  
roller chain complete  
34.10049



Transportteller kpl  
 feed cup complete  
 250.0304

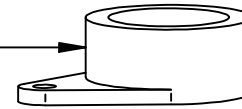


Freilauf kpl  
 free wheel complete  
 482.0344

Transportwelle f. Kettenrad  
 transport shaft  
 230.0516



Hebel für Freilauf  
 lever  
 121.0936



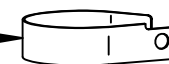
Freilauf  
 free wheel  
 2x 282.0344



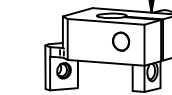
Bremsring  
 brake ring  
 246.0179



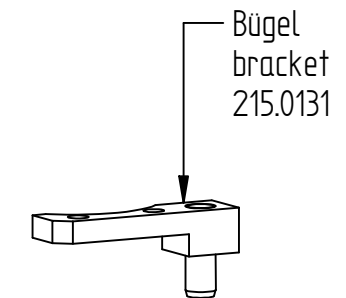
Blattfeder  
 flat spring  
 163.0097



DIN 912 - M4x6

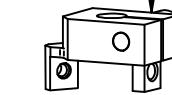


DIN 912 - M4x16



Bügel  
 bracket  
 215.0131

Kloben  
 block  
 214.1034



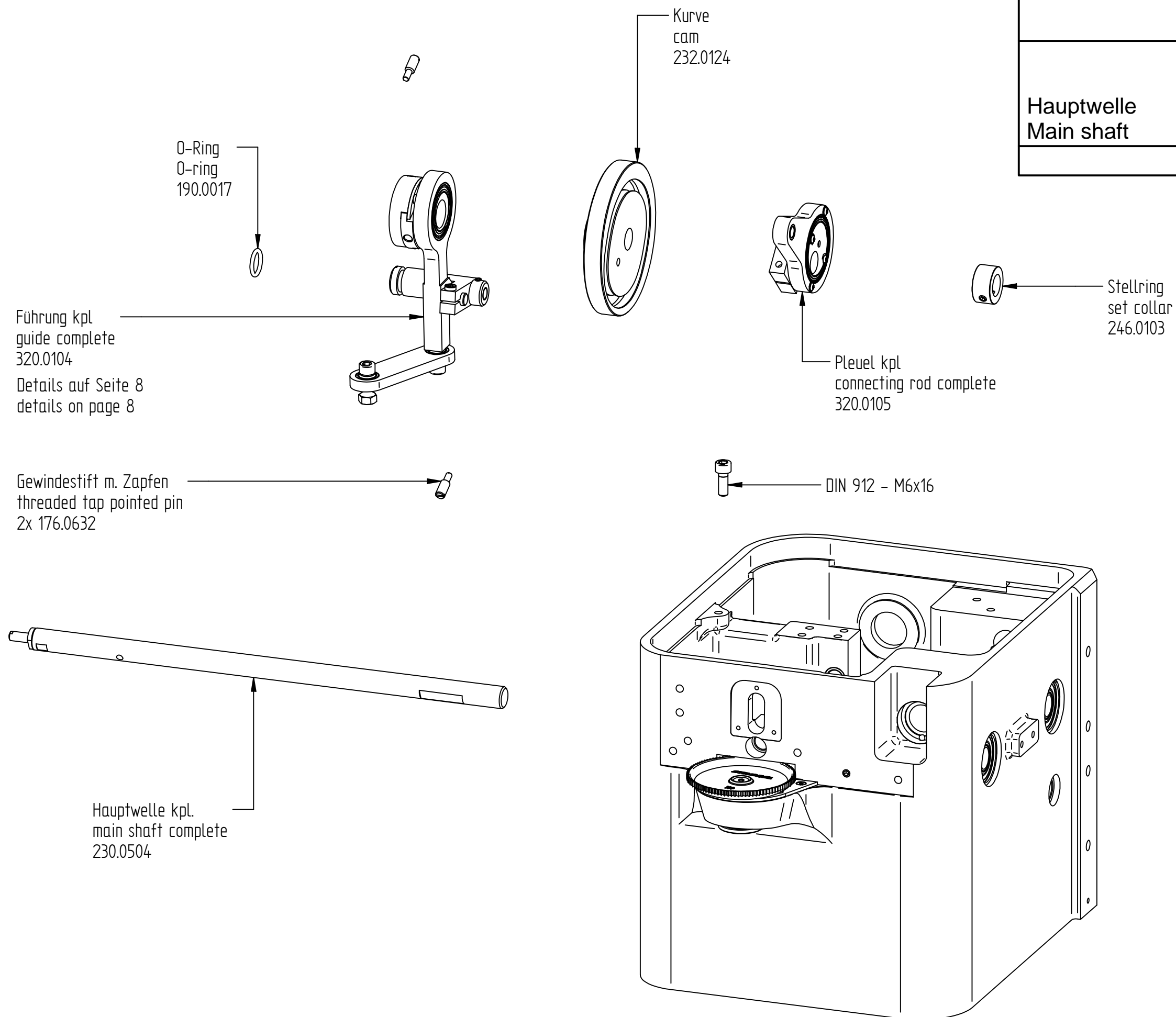
Federspannmutter  
 tension nut  
 179.0414

Zugfeder  
 pull-spring  
 162.0059

DIN 912 - M4x16

DIN 912 - M4x16

Hauptwelle  
Main shaft

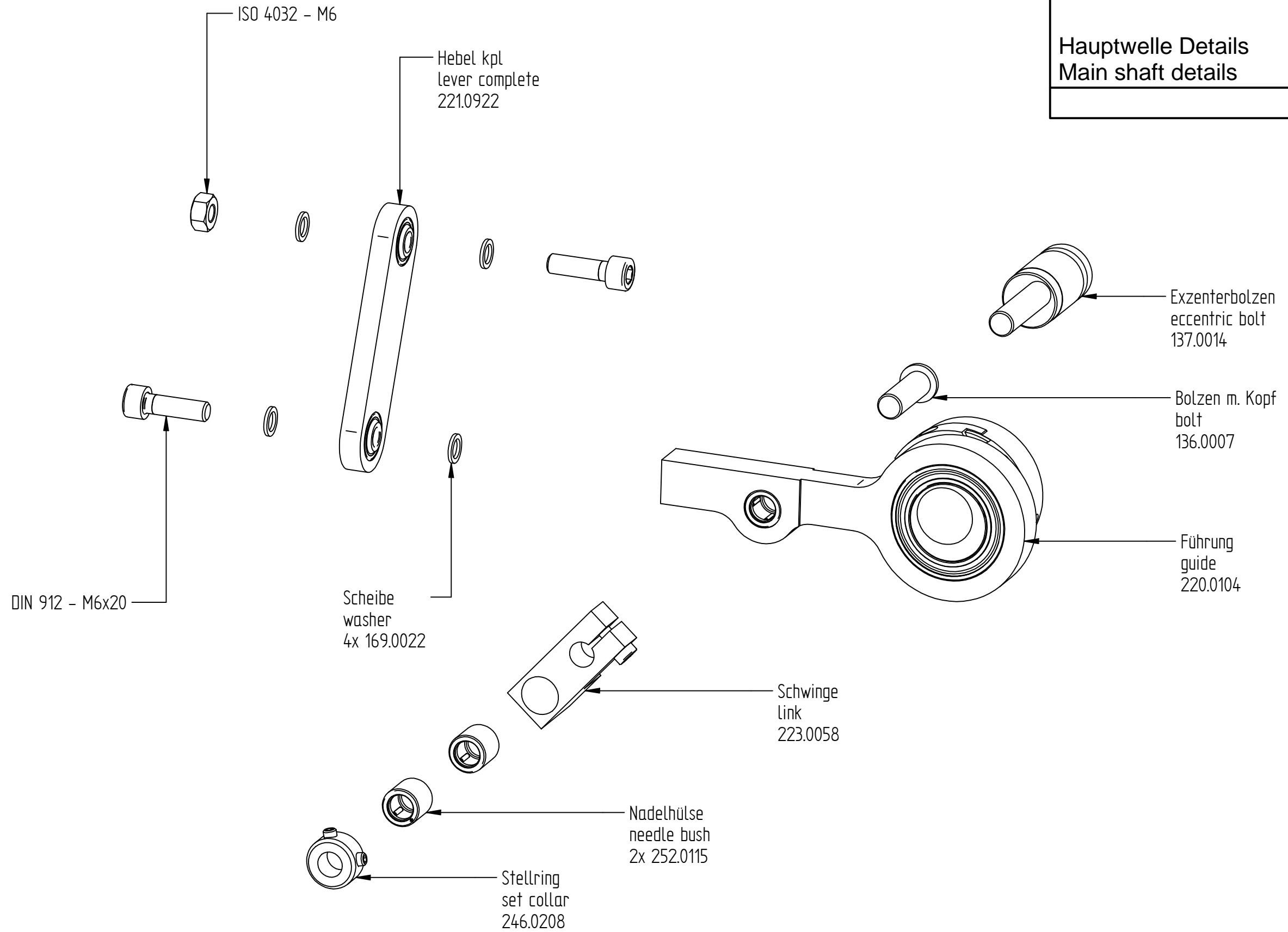


Führung kpl  
guide complete  
320.0104

Spare parts catalogue

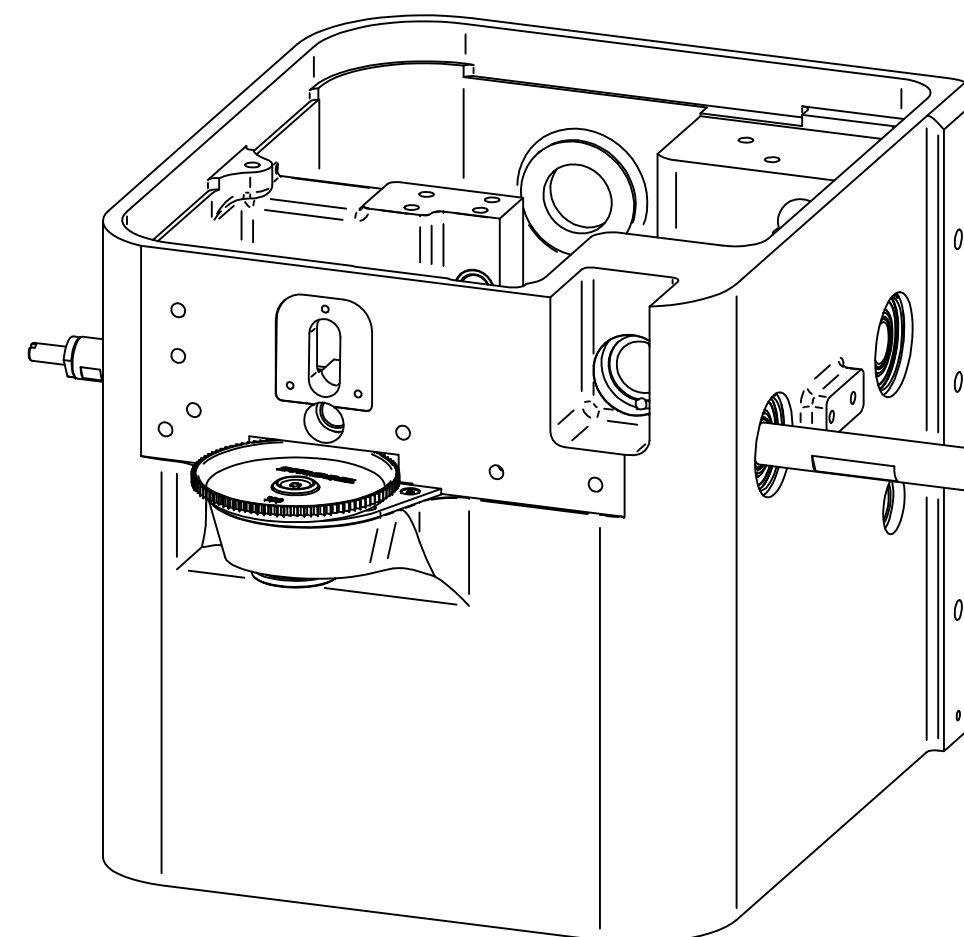
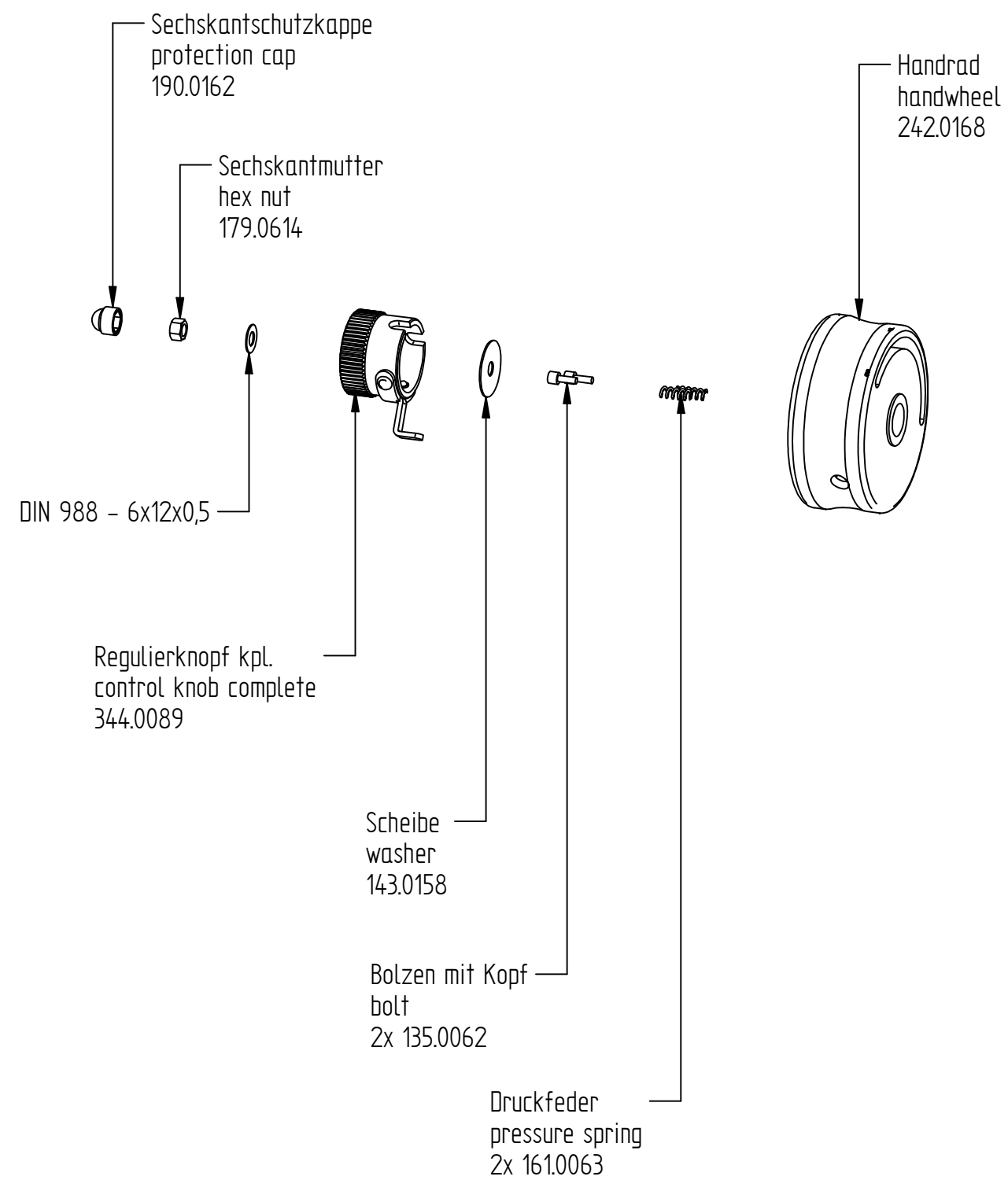
**STROBEL**

Hauptwelle Details  
Main shaft details

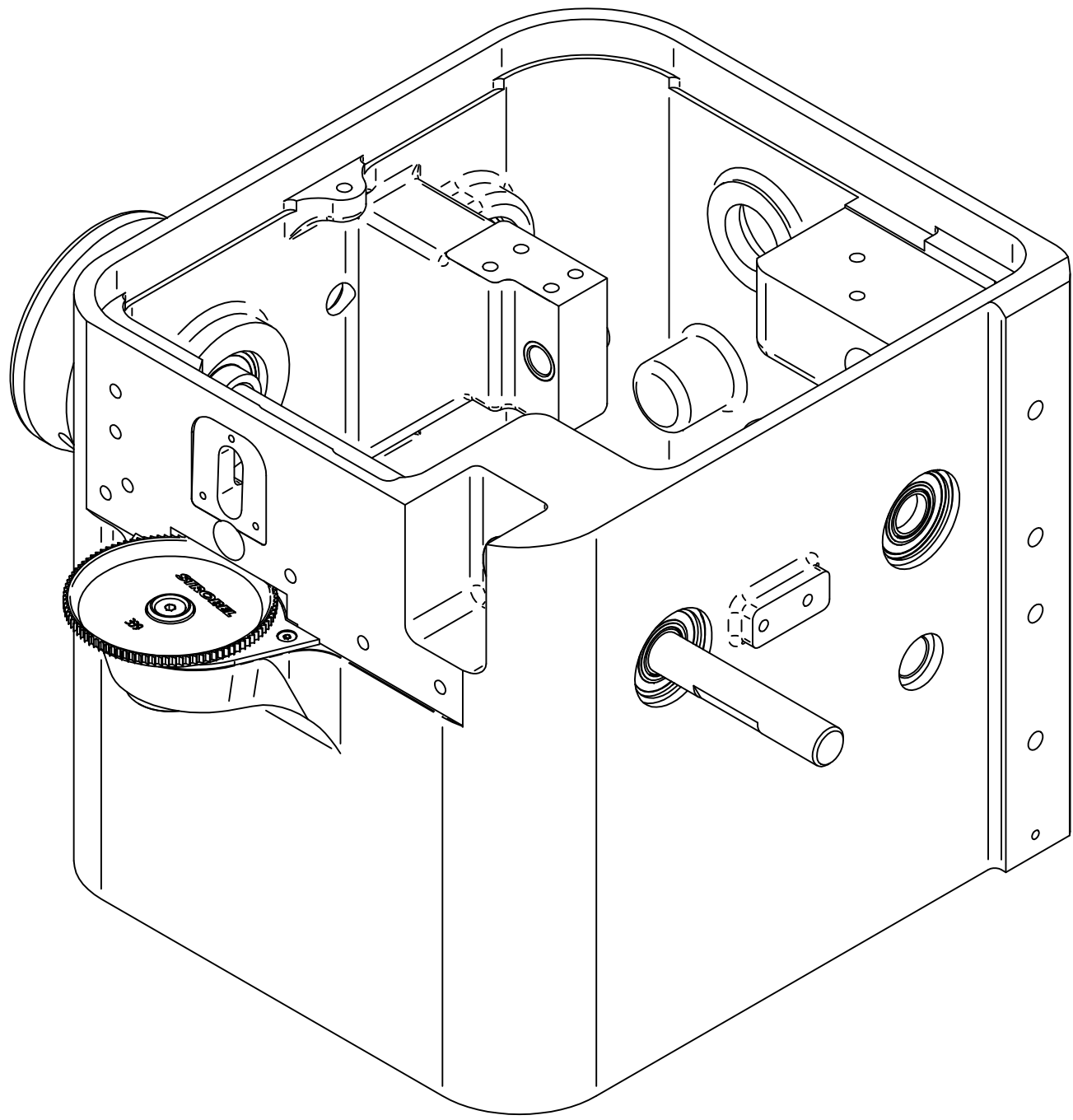




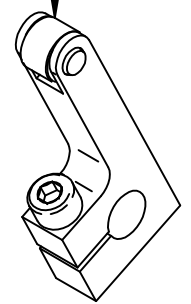
Handrad links  
Handwheel left



Lüftung  
Lifting



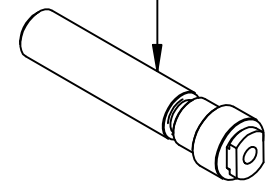
Hebel  
lever  
221.0915



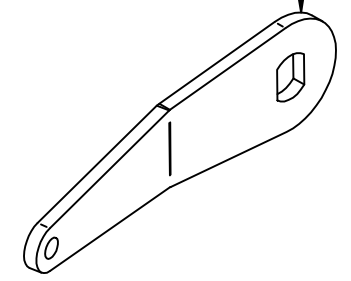
O-Ring  
O-ring  
190.0015



Welle  
shaft  
130.0505



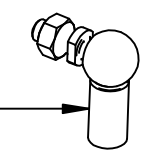
Hebel  
lever  
121.0920



DIN 7349 - 6,4



Winkelgelenk  
angle joint  
202.0004



DIN 912 - M6x16



Nadelstange  
Needle bar

DIN 912 - M6x20

Flansch  
flange  
114.1012

Gleitführung  
sliding guide  
153.0074

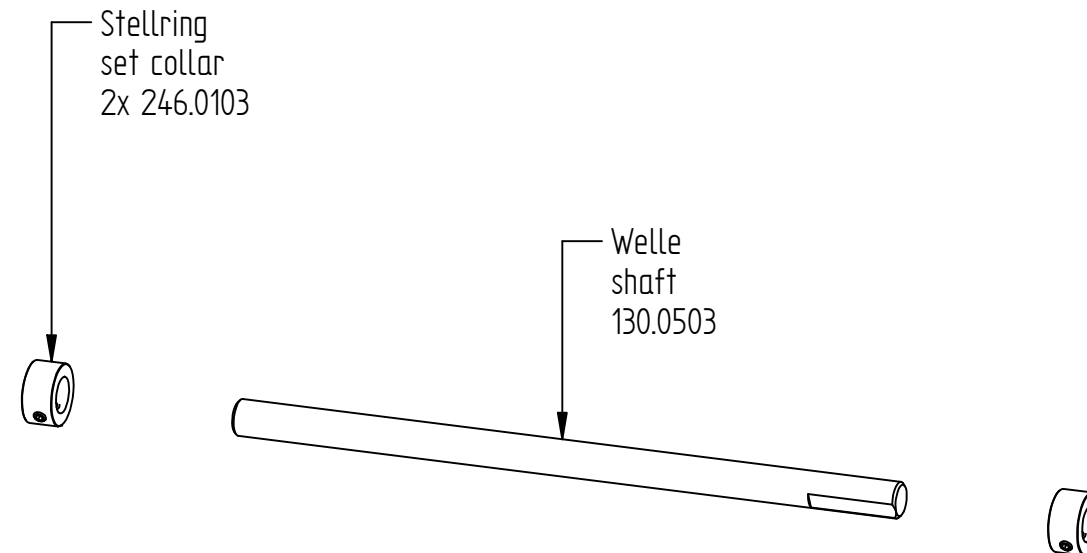
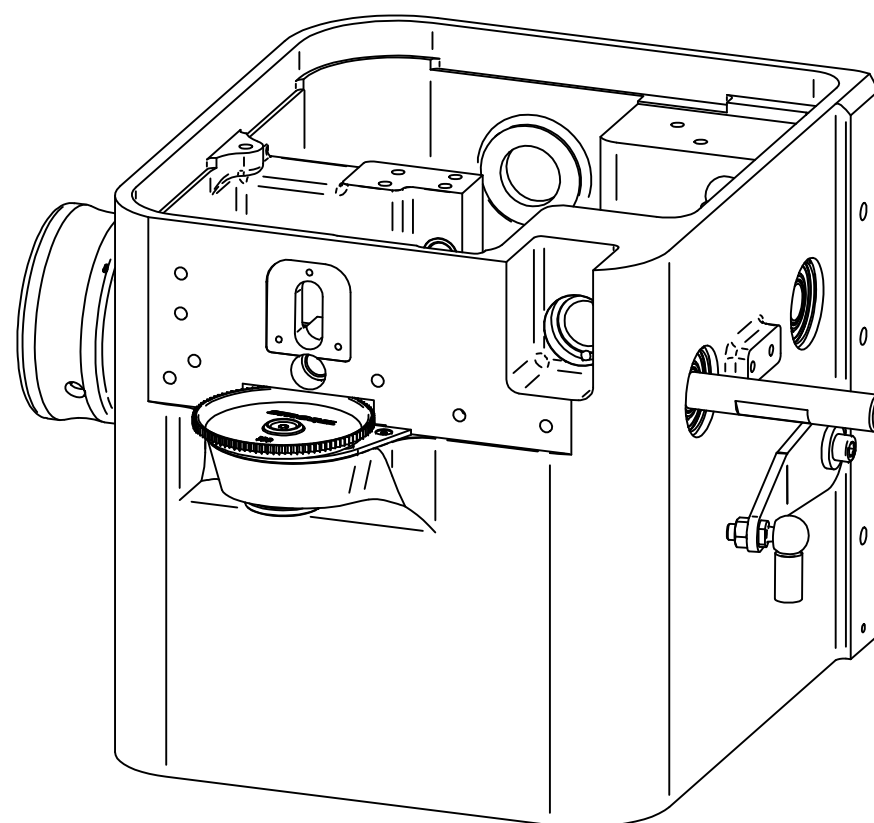
Plevel kpl  
connecting rod complete  
320.0113  
Details auf Seite 12  
details on page 12

Nadelstange kpl.  
needle bar complete  
933.0021  
Details auf Seite 12  
details on page 12

Nadel 134 LR-140  
needle 134 LR-140  
189.0186

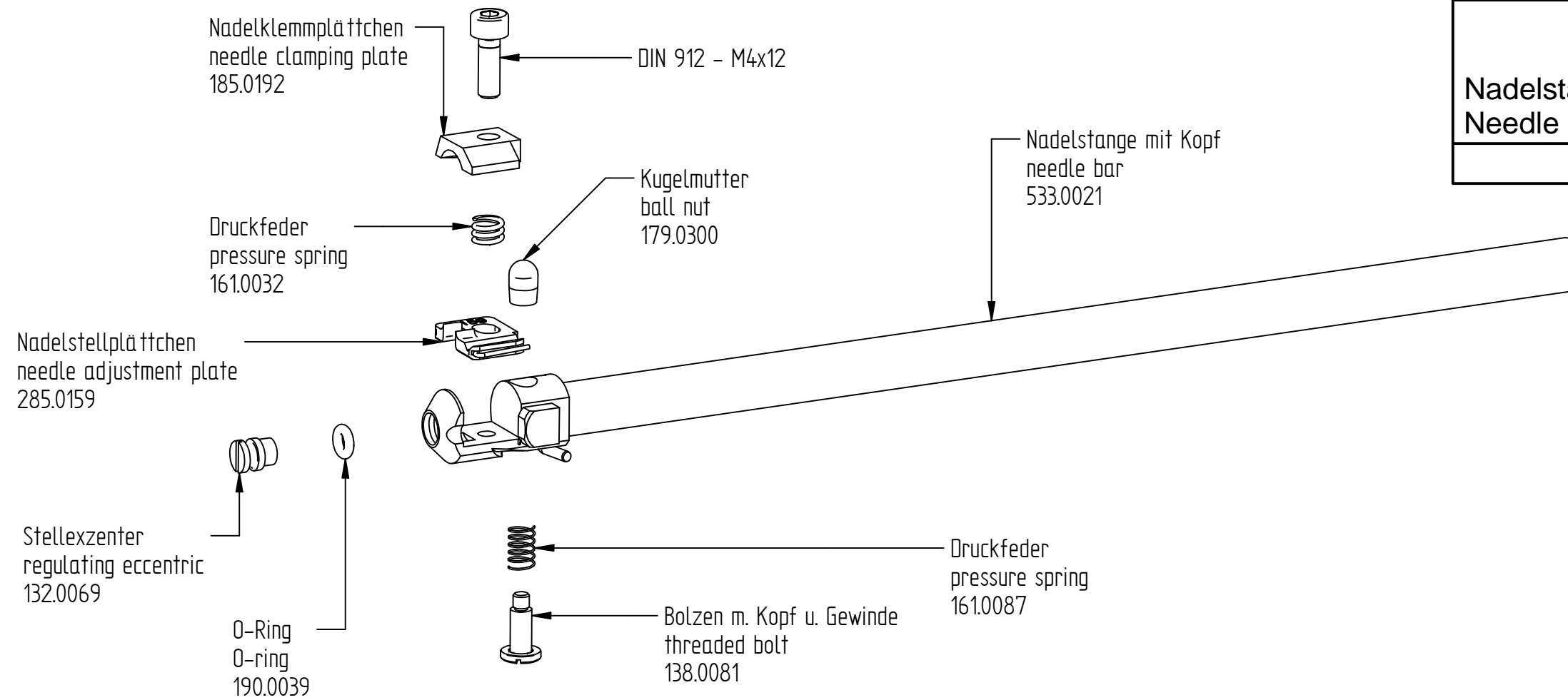
Stelling  
set collar  
2x 246.0103

Welle  
shaft  
130.0503

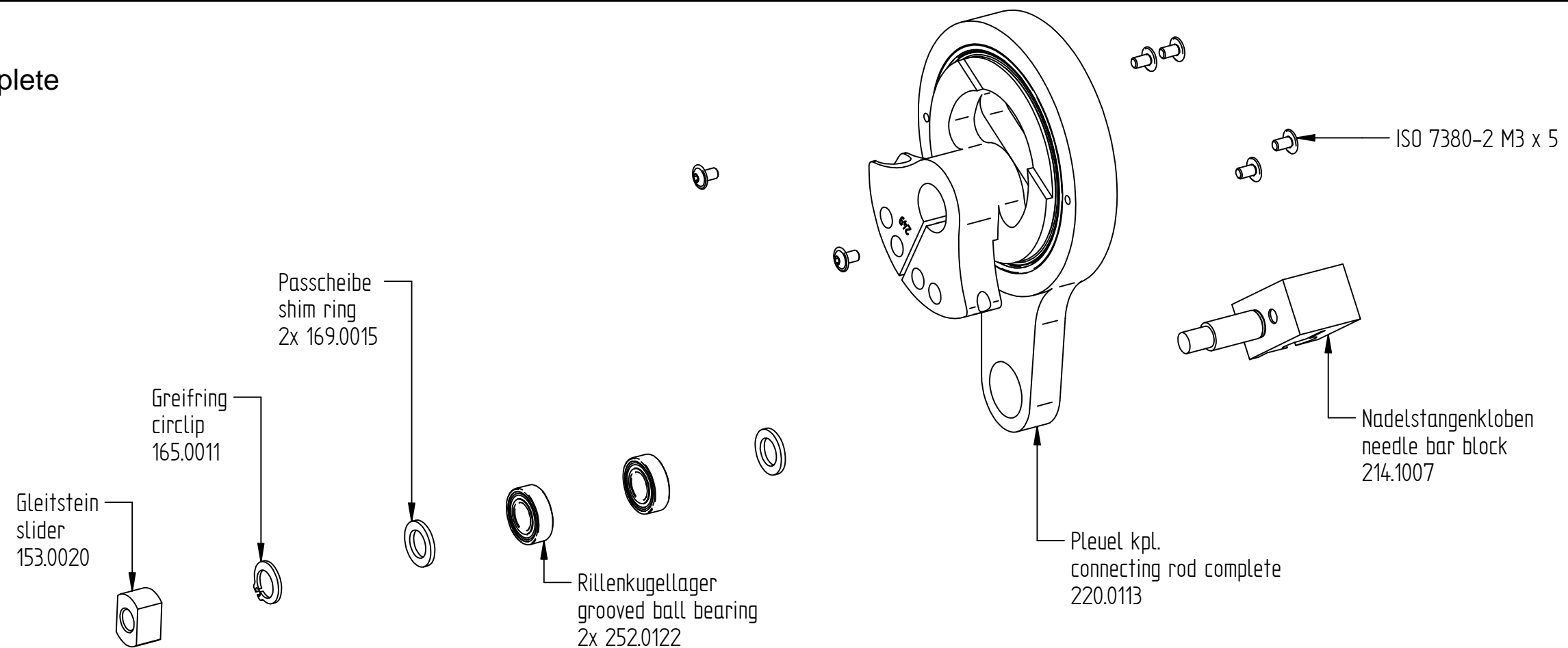


Nadelstange kpl.  
needle bar complete  
933.0021

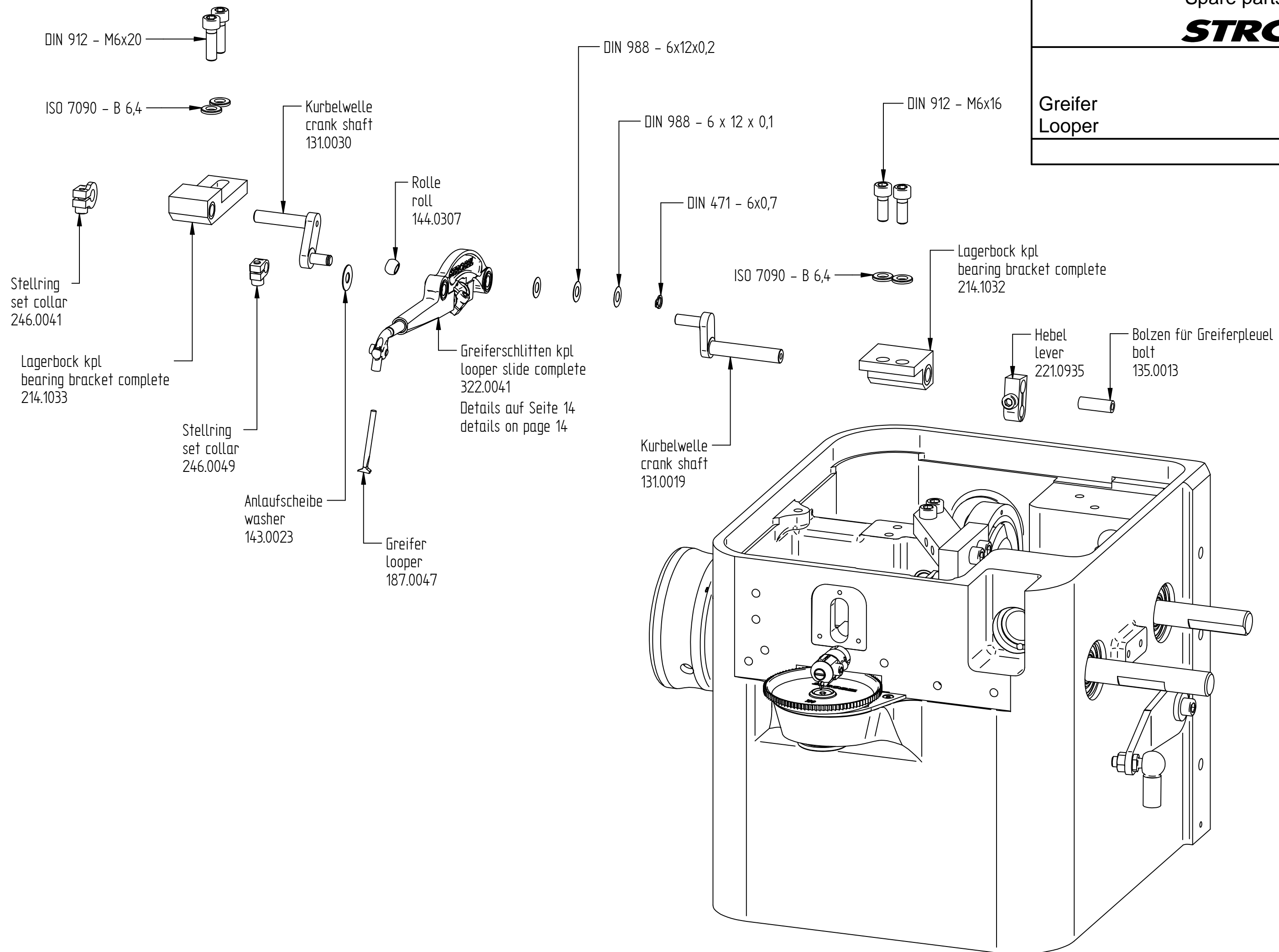
Nadelstange Details  
Needle bar details



Pleuel kpl.  
connecting rod complete  
320.0113

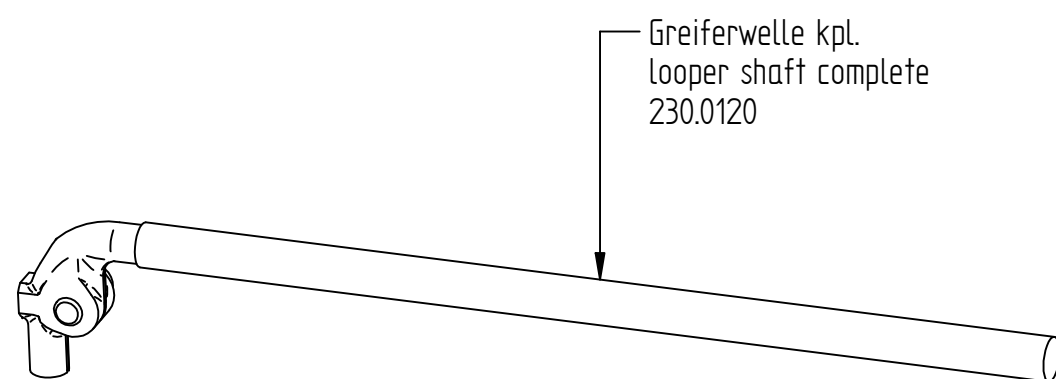


**Greifer  
Looper**

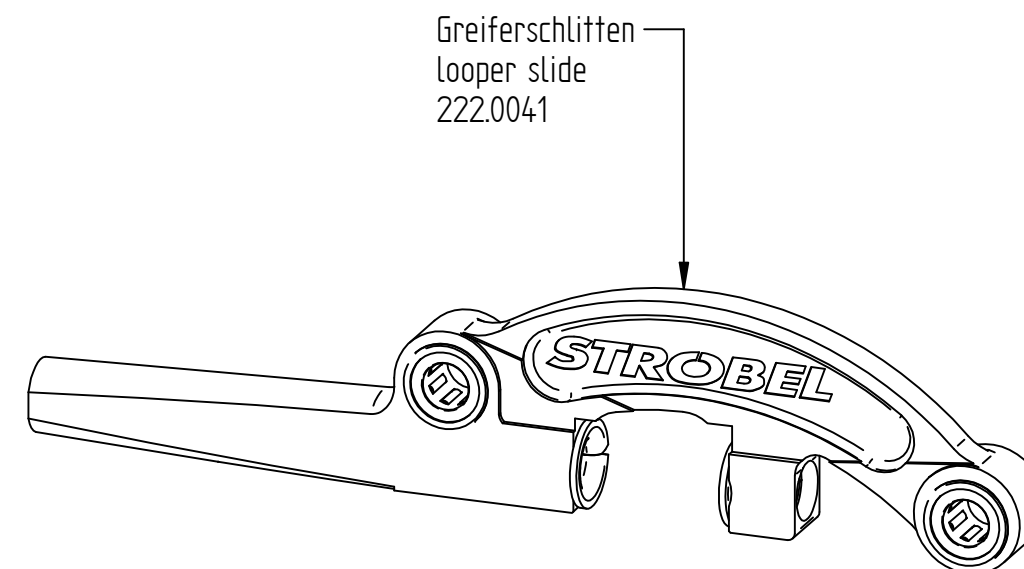


Greiferschlitten kpl  
looper slide complete  
322.0041

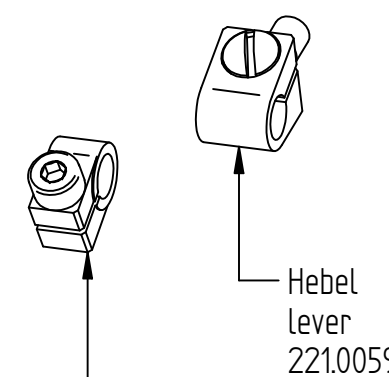
Greifer Details  
Looper details



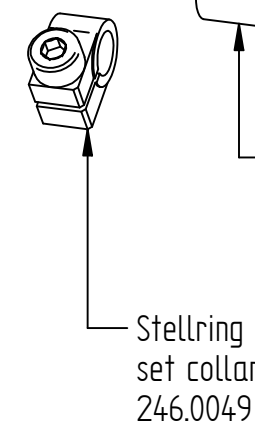
Greiferwelle kpl.  
looper shaft complete  
230.0120



Greiferschlitten  
looper slide  
222.0041

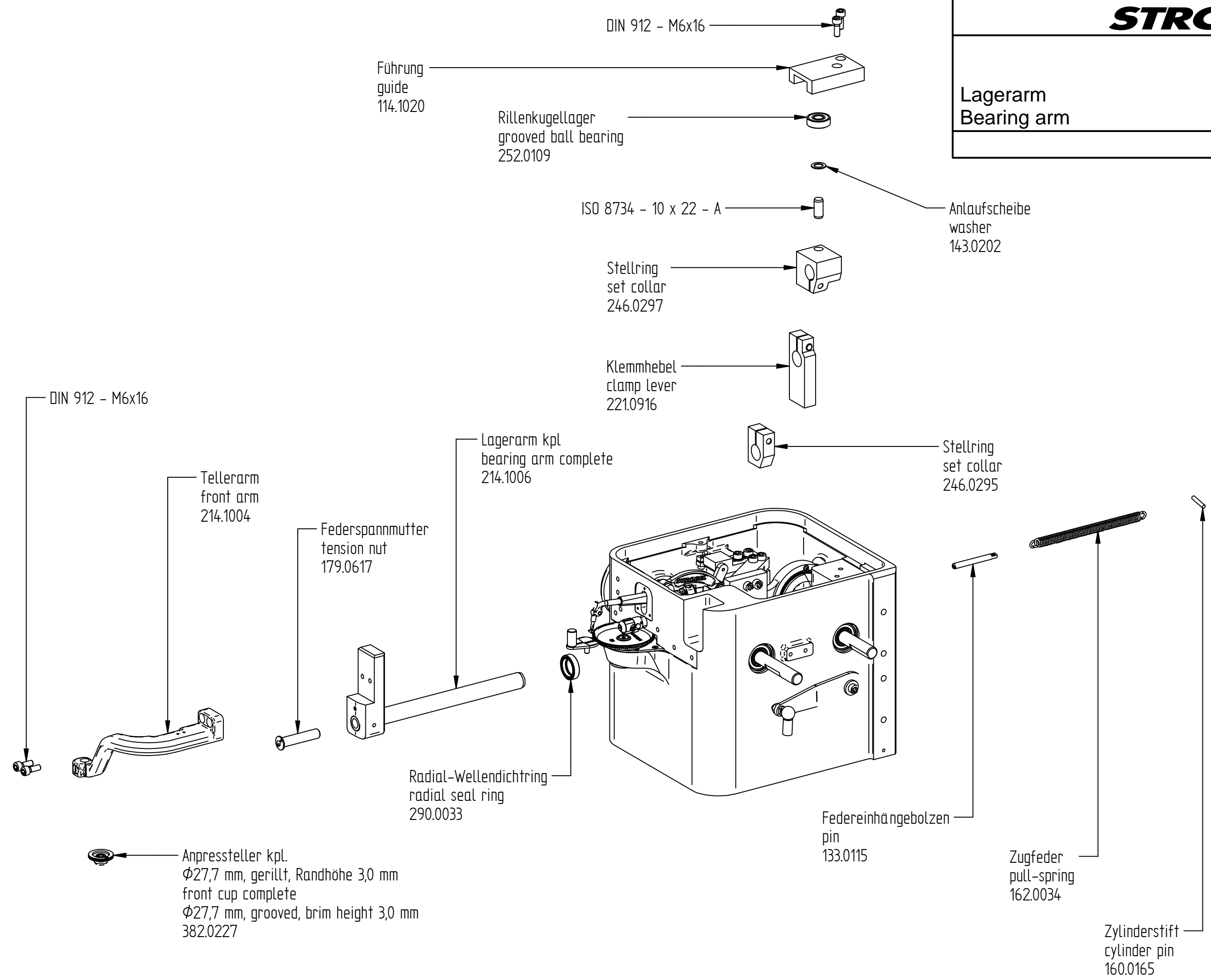


Hebel  
Lever  
221.0059

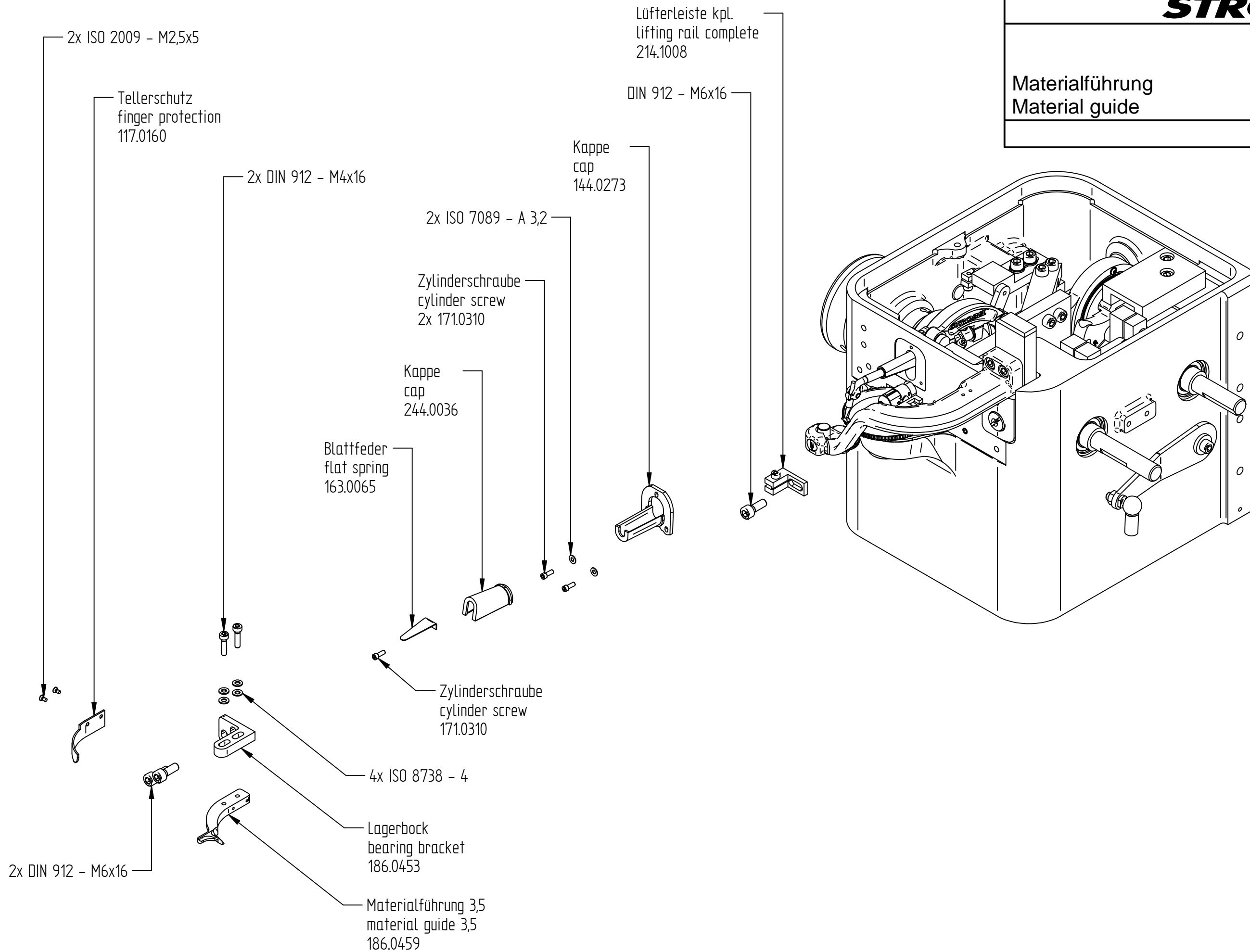


Stelling  
set collar  
246.0049

Lagerarm  
Bearing arm

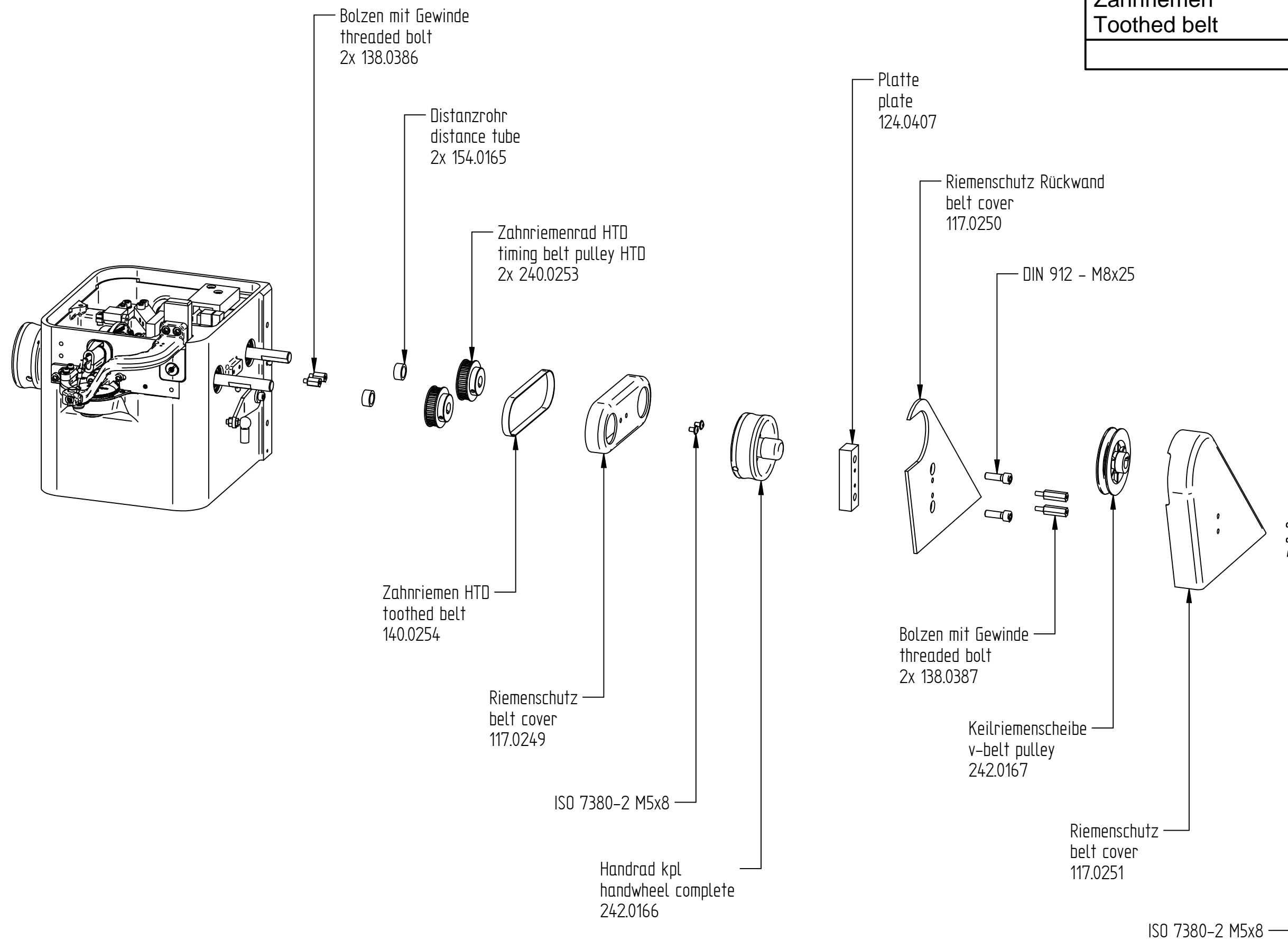


Materialführung  
Material guide





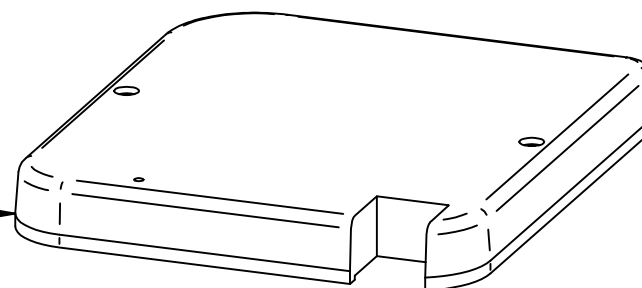
Zahnriemen  
Toothed belt



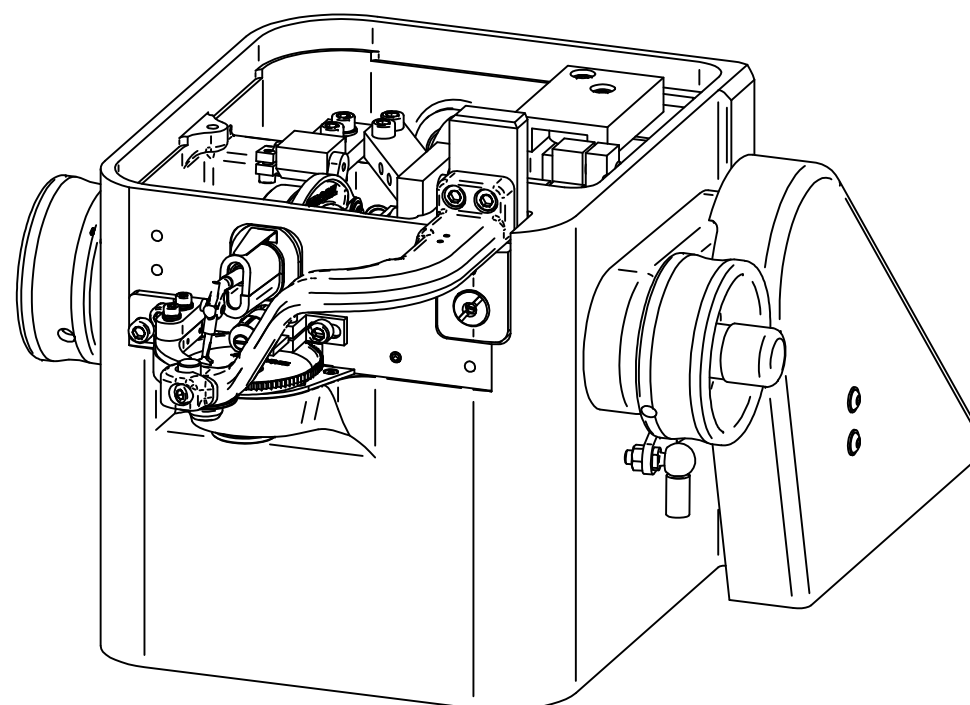
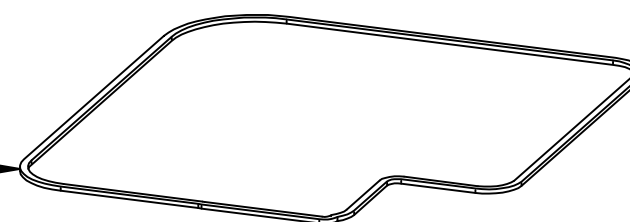
DIN 6912 - M6x50 - 8.8



Deckel  
cover  
112.0583



Dichtung  
gasket  
190.0205



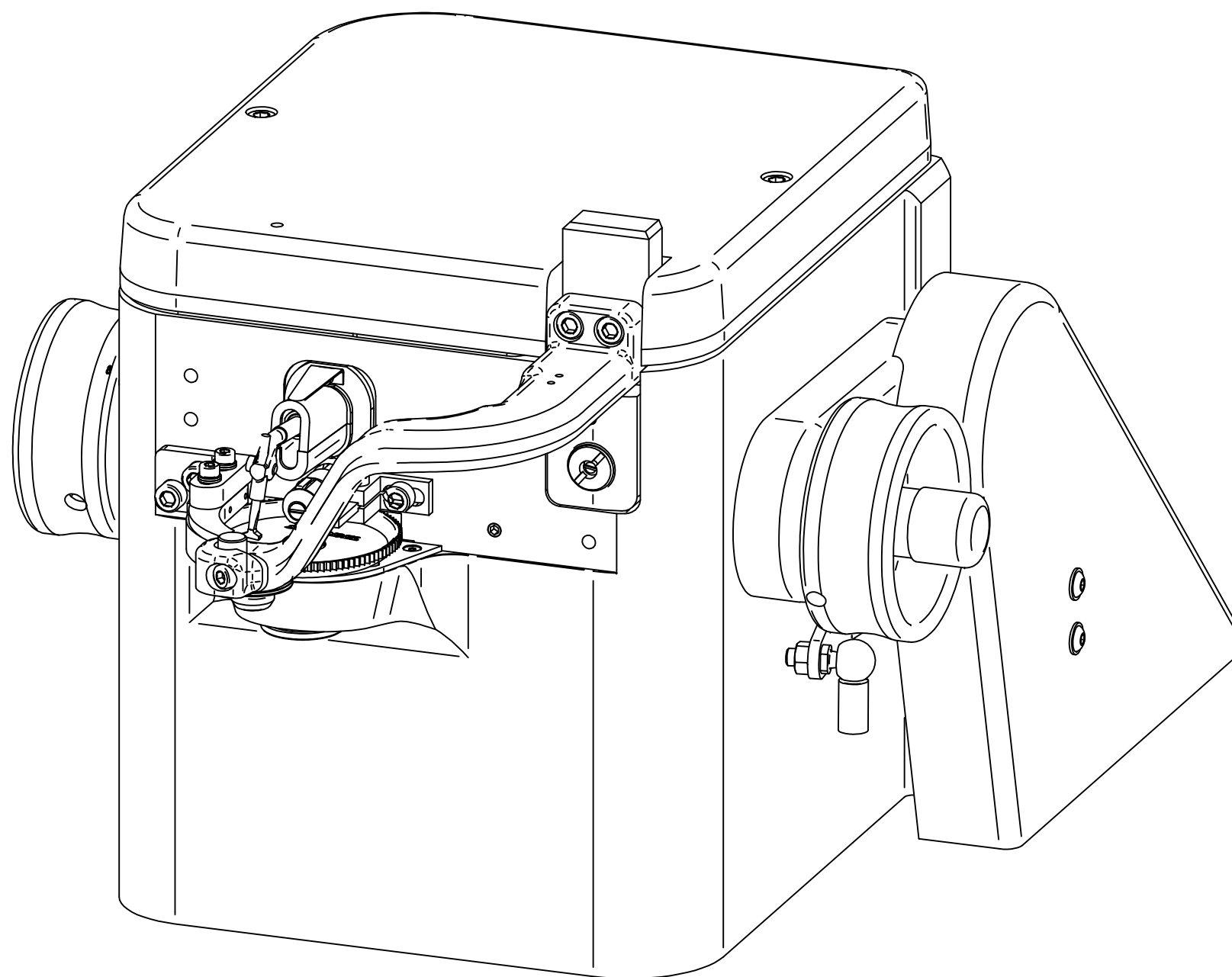
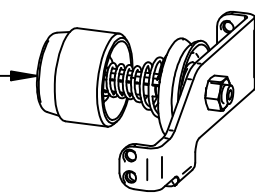
Deckel oben  
Top cover

Fadenspannung  
Thread tension

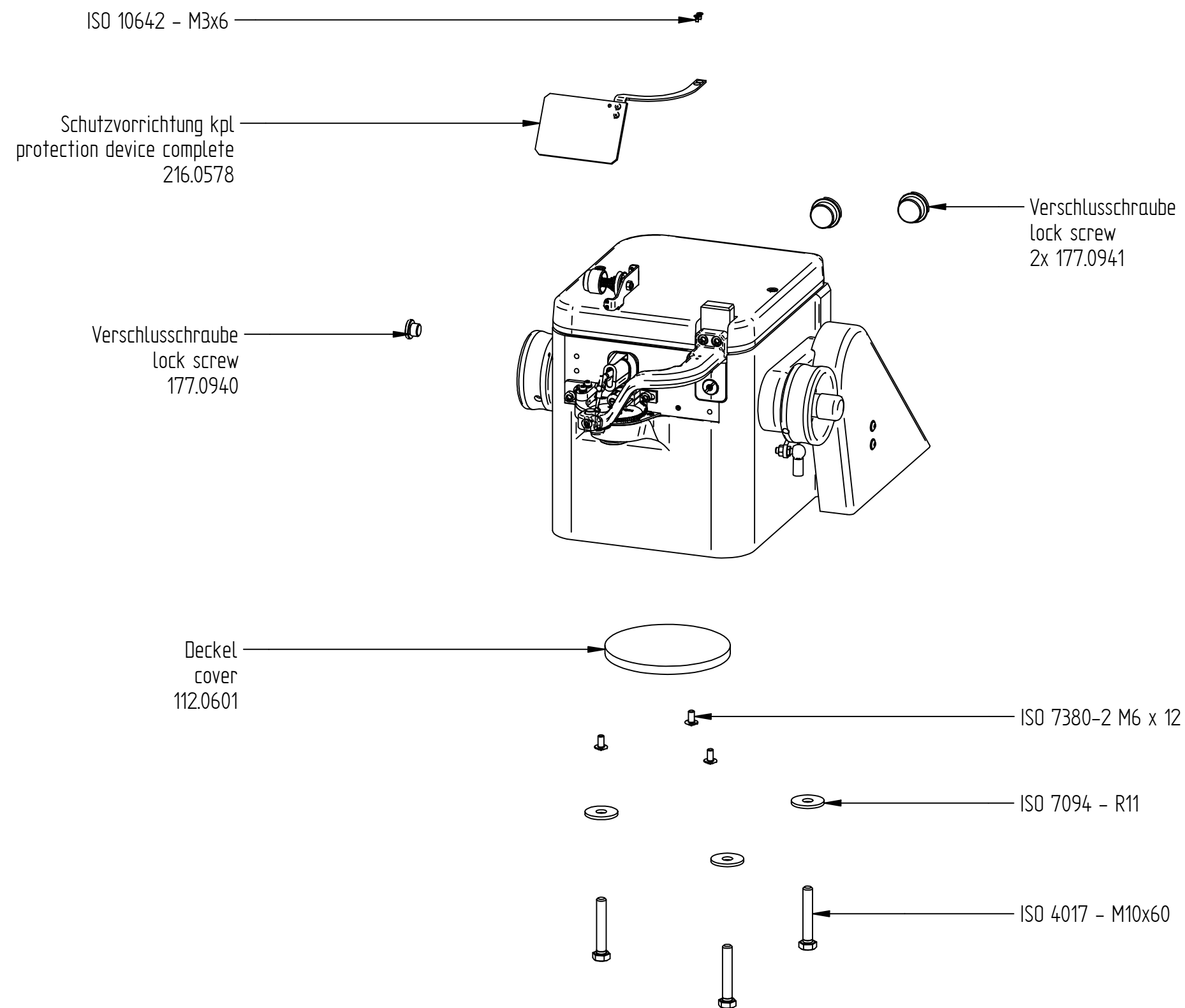
ISO 7380-2 M5x8



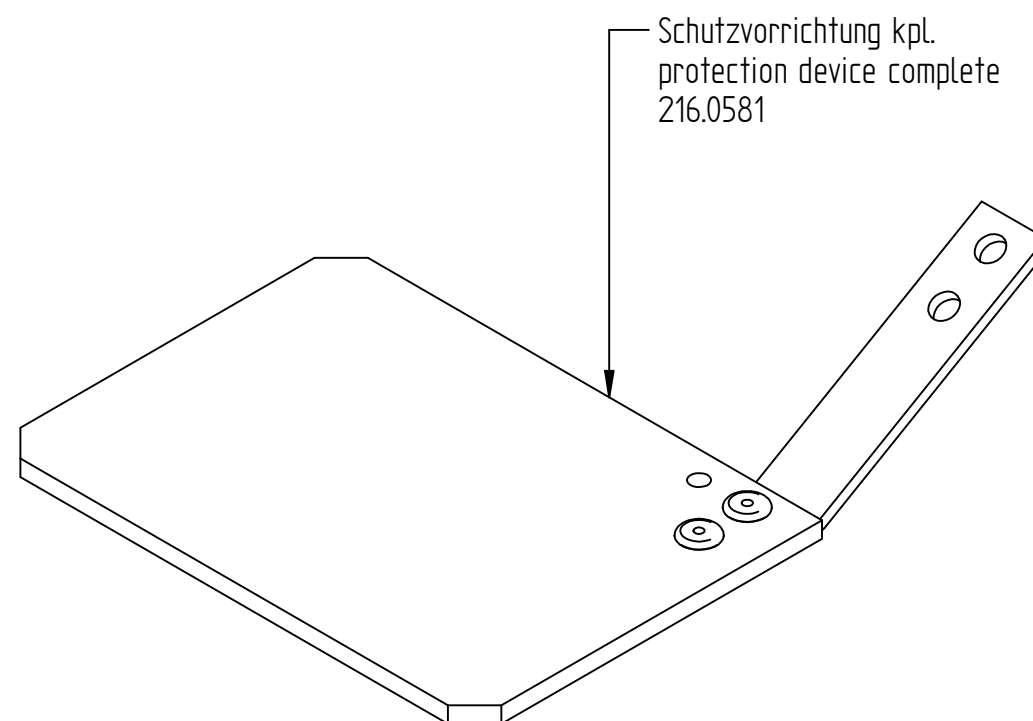
Fadenspannung kpl  
thread tension complete  
316.0576



Abdeckungen  
Cover



Schutzvorrichtung  
Protection device

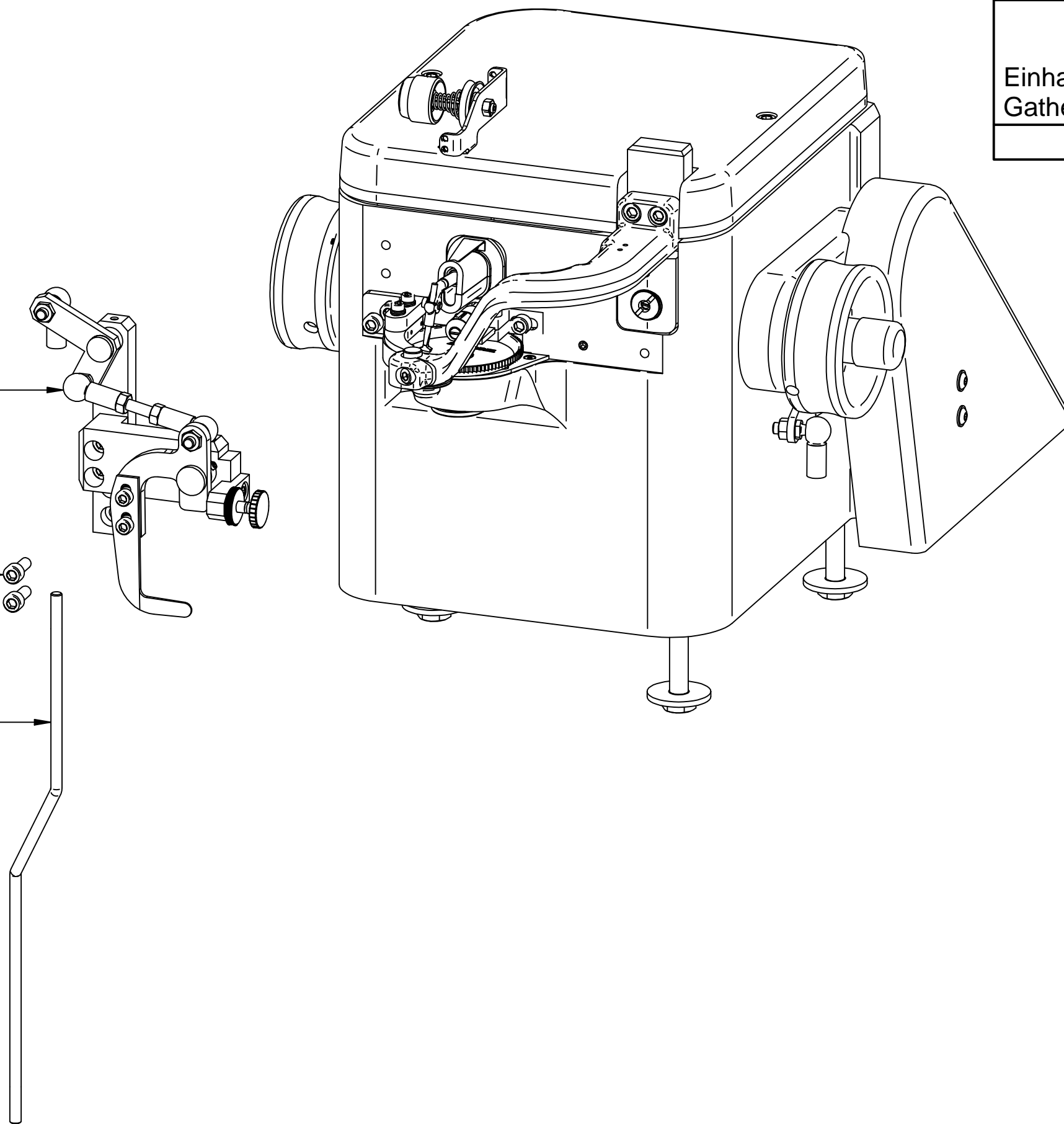


Einhaltevorrichtung  
Gathering device

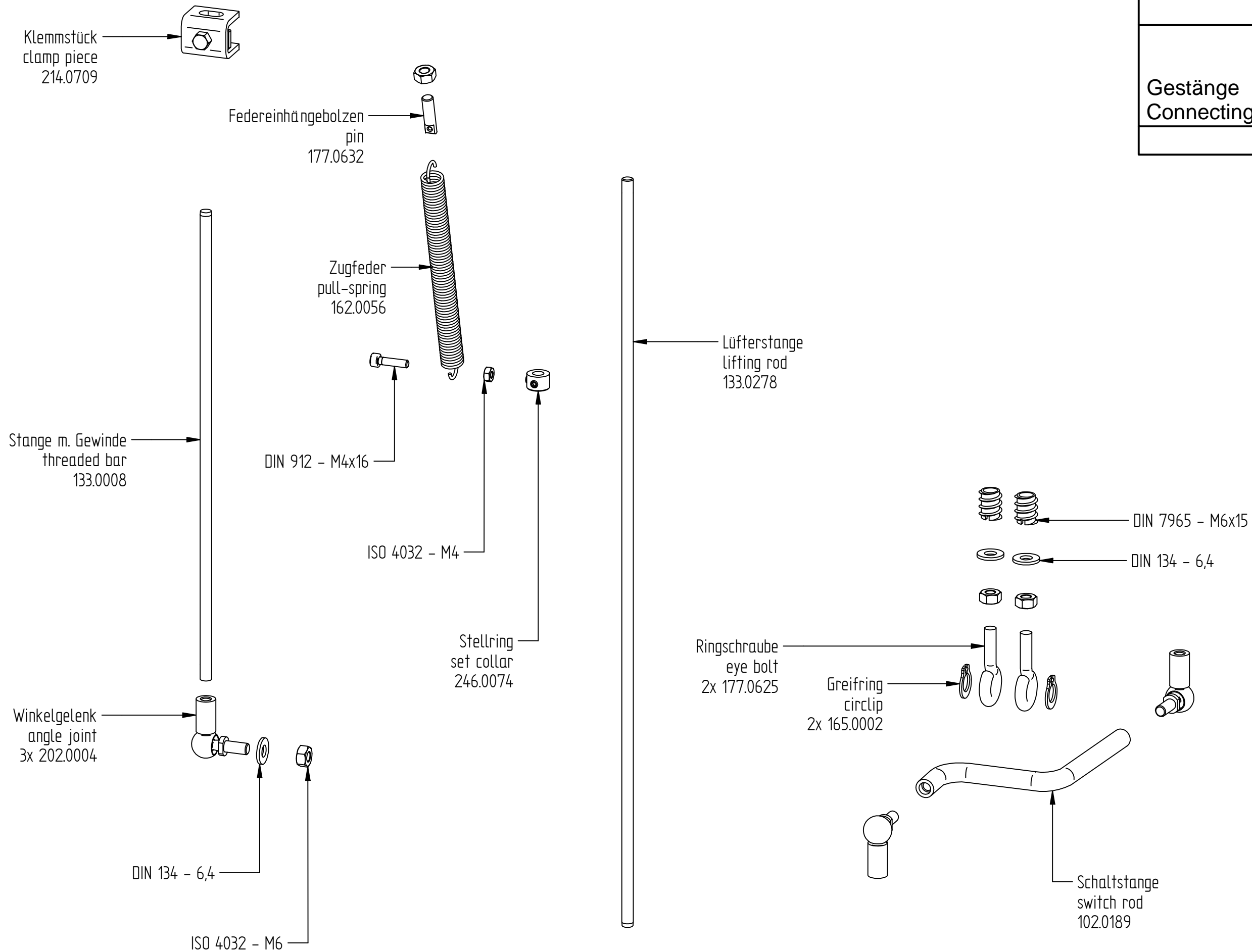
Einhaltevorrichtung kpl  
gathering device complete  
214.1010

DIN 912 - M6x16

Gewindestange  
thread rod  
133.0923

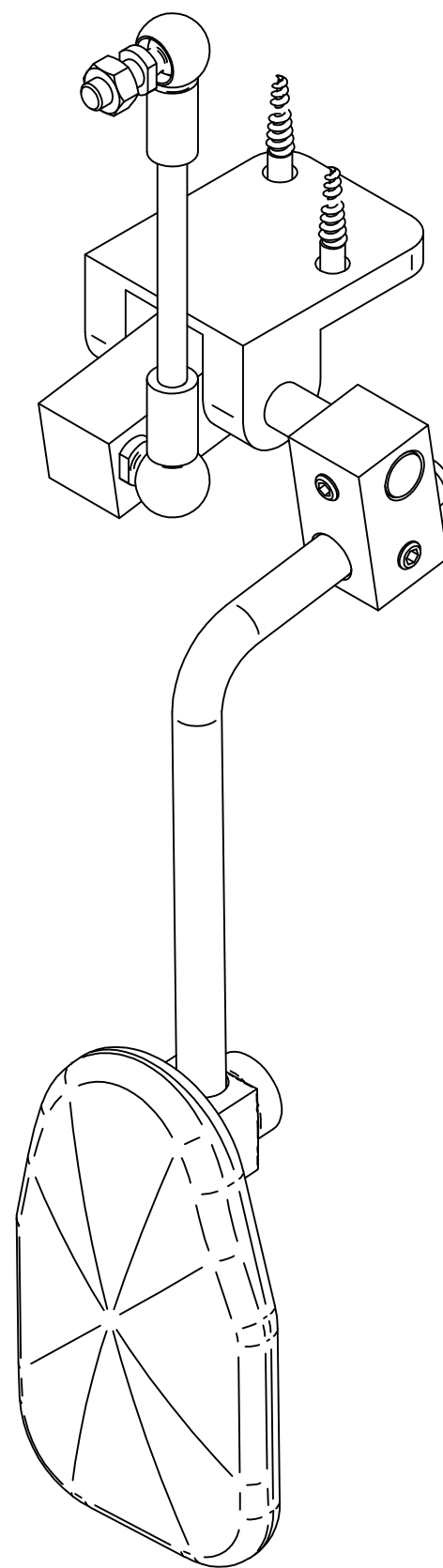


Gestänge  
Connecting rod



Kniehebel kpl.  
knee lever complete  
533.0175

Kniehebel  
Knee lever





Klasse/Class 443-1, -2

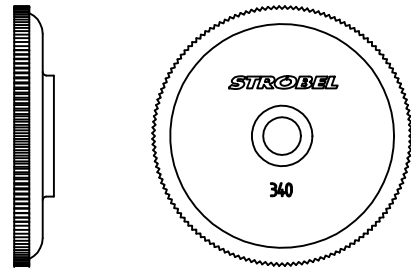
Transportteller

 $\Phi 68,75$  mm, Rändelteilung 1,5 mm, Randhöhe 4,0 mm

feed cup

 $\Phi 68,75$  mm, knurling pitch 1,5 mm, brim height 4,0 mm

182.0340



Klasse/Class 443-1

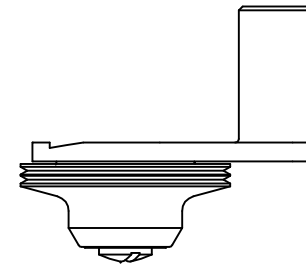
Anpressteller kpl.

 $\Phi 27,7$  mm, gerillt, Randhöhe 3,0 mm, mit Materialstütze

front cup complete

 $\Phi 27,7$  mm, grooved, brim height 3,0 mm, with material support

482.0227



Klasse/Class 443-1, -2

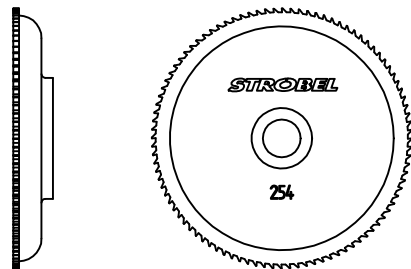
Transportteller sägeverzahnt

 $\Phi 68,75$  mm, Teilung 2,25 mm, Randhöhe 1,5 mm

feed cup sägeverzahnt

 $\Phi 68,75$  mm, pitch 2,25 mm, brim height 1,5 mm

182.0254



Klasse/Class 443-1

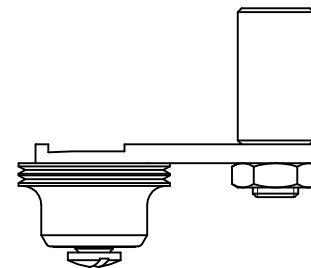
Anpressteller kpl.

 $\Phi 20$  mm, gerillt, Randhöhe 3,0 mm, mit Materialstütze

front cup complete

 $\Phi 20$  mm, grooved, brim height 3,0 mm, with material support

482.0229



Klasse/Class 443-1, -2

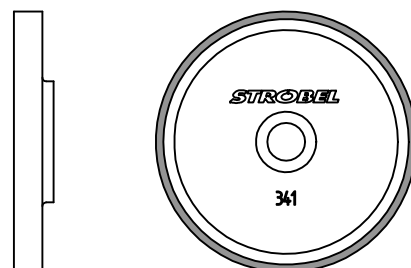
Transportteller Naturkautschuk beschichtet

 $\Phi 69$  mm, Randhöhe 7,5 mm

feed cup natural rubber coated

 $\Phi 69$  mm, brim height 7,5 mm

182.0341

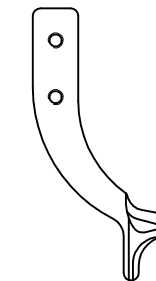
Zusatzausstattung 1  
Optional parts 1

Klasse/Class 443-1, -2

Materialführung 4,5

material guide 4,5

186.0458



Für den professionellen Anwender

# GLOBAL

Ersatzteilkatalog

*For the professional user*

*Spare parts catalogue*

Klasse:  
Class:

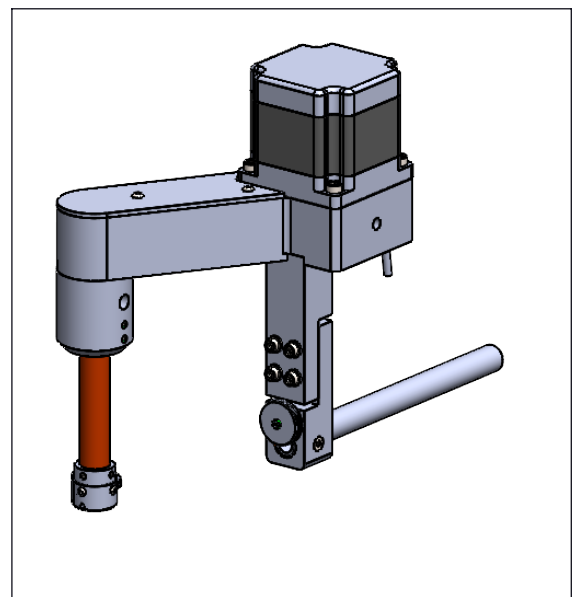
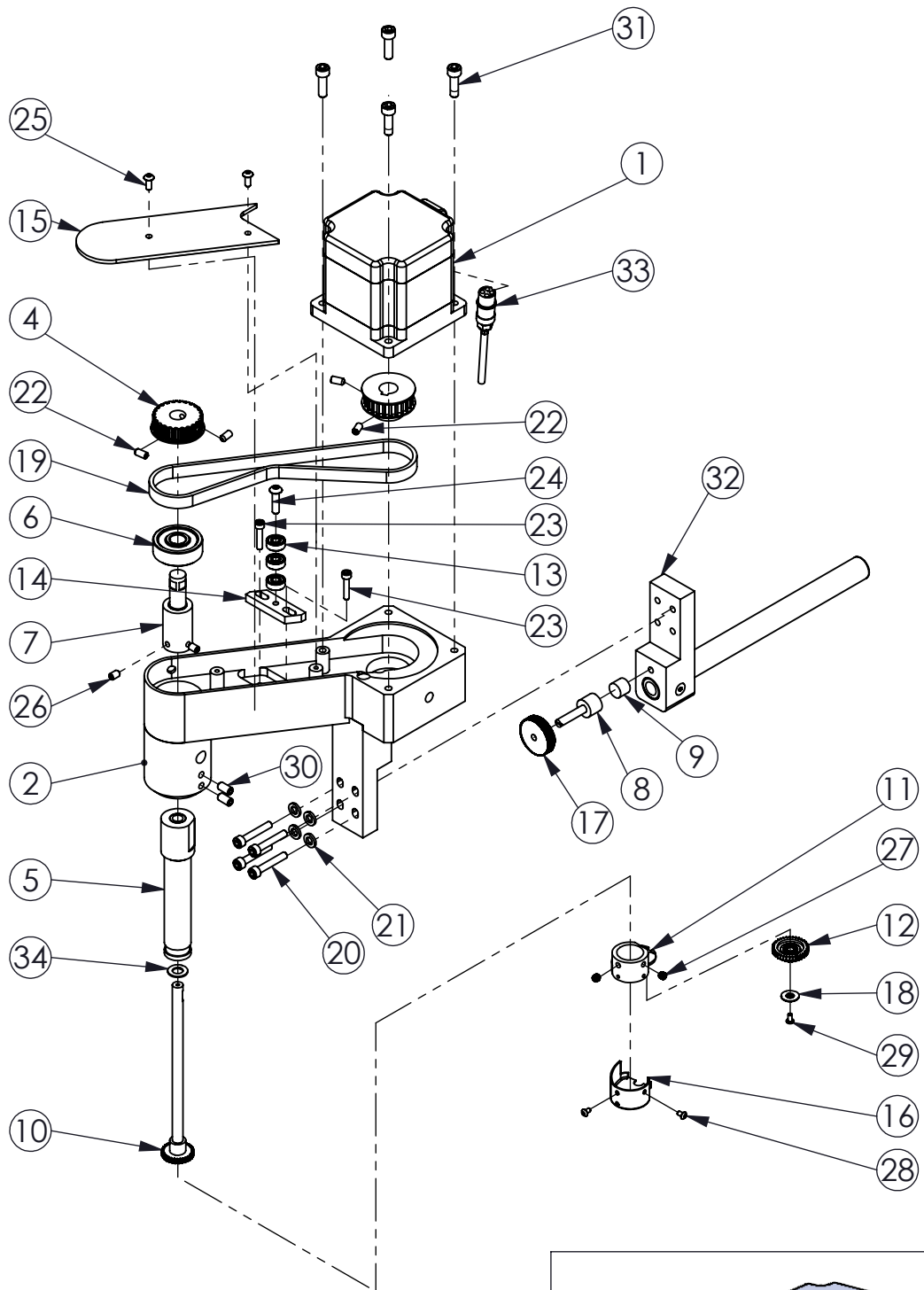
# Special

Stand:  
Dated:

# 444-2 parts

# STROBEL

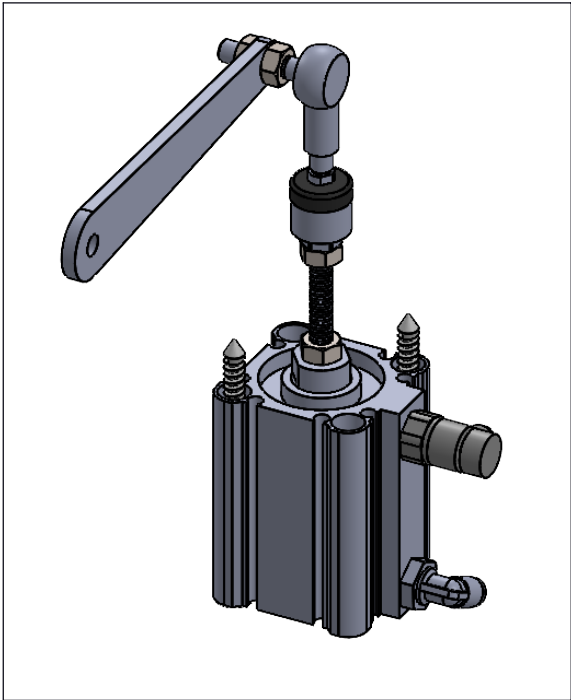
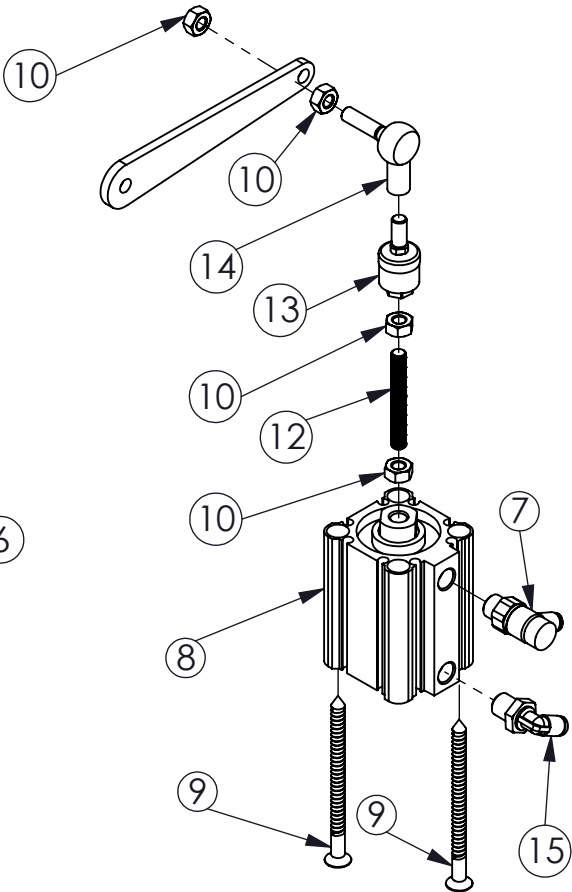
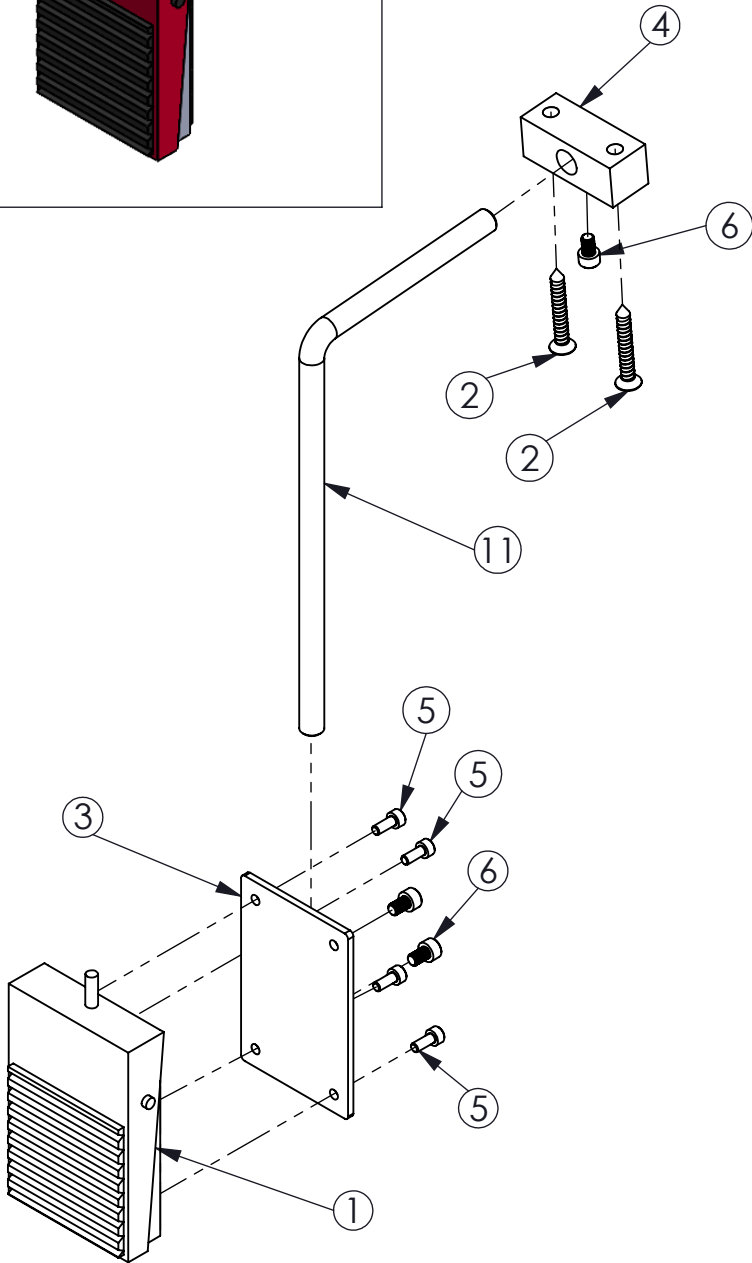
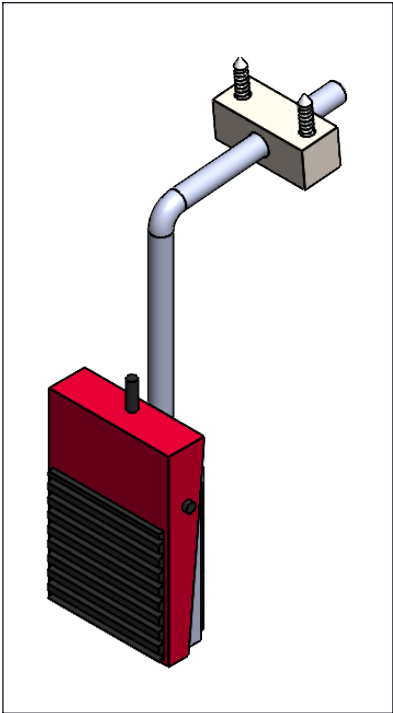
# DIFFERENTIAL FEED



## DIFFERENTIAL FEED

DET	PART NUMBER	DESCRIPTION
1	10-40021-00-000	Stepping Motor
2	11-11047-00-000	Mounting Block
3	08-40003-14-024	Pulley
4	08-40004-12-024	Pulley
5	11-11052-00-000	Shaft
6	07-10025-12-037	Bearing
7	11-11055-00-000	Connecting Shaft
8	11-11046-00-000	Bumper Holder
9	15-60015-00-000	Bumper
10	11-11100-00-002	Gear
11	11-11056-00-000	Gear Mounting Block
12	08-80005-00-000	Front Cup
13	07-10017-05-014	Bearing
14	11-11051-00-000	Screw
15	11-11048-00-000	Cover
16	11-11058-00-000	Cover
17	11-10146-00-000	Nut
18	11-11057-00-000	Guide Washer
19	09-40002-10-450	Belt
20	01-11000-06-030	Screw
21	03-11000-06-000	Washer
22	01-31000-05-010	Screw
23	01-11000-04-020	Screw
24	01-41000-05-020	Screw
25	01-41000-04-010	Screw
26	01-31000-05-008	Screw
27	01-31000-05-005	Screw
28	01-41000-03-005	Screw
29	01-41000-03-006	Screw
30	01-31000-06-012	Screw
31	01-11000-06-020	Screw
32	11-11045-00-000	Lever Asm.
33	10-10009-00-000	Connecting Cabel
34	11-11099-00-000	Slide Washer

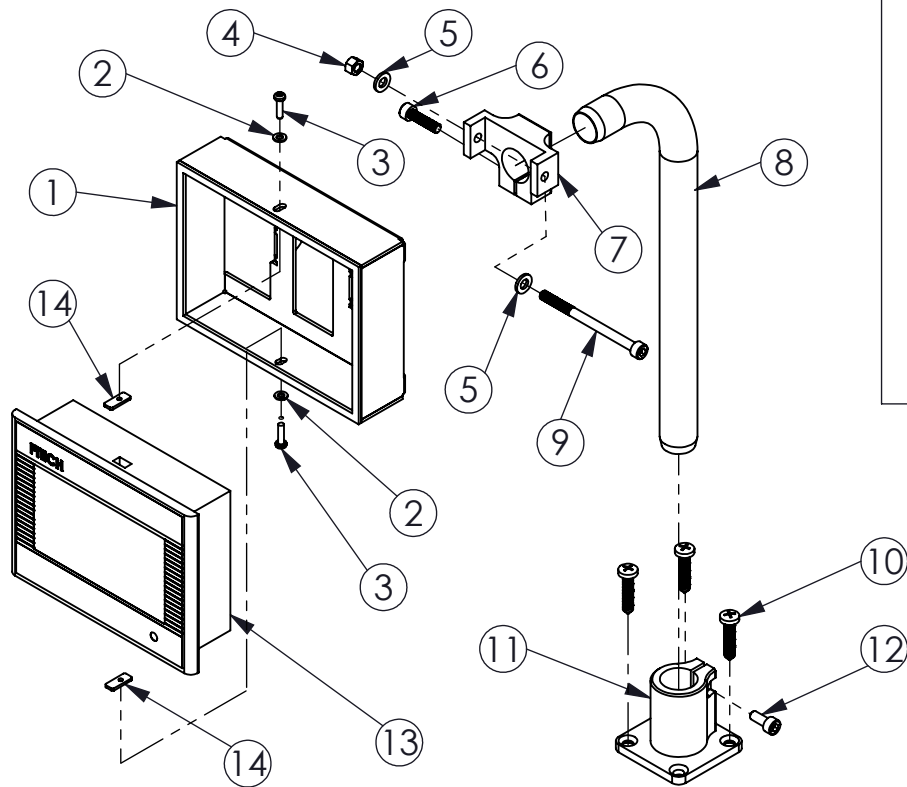
# KNEE SWITCH AND FOOT LIFTER



## KNEE SWITCH AND FOOT LIFTER

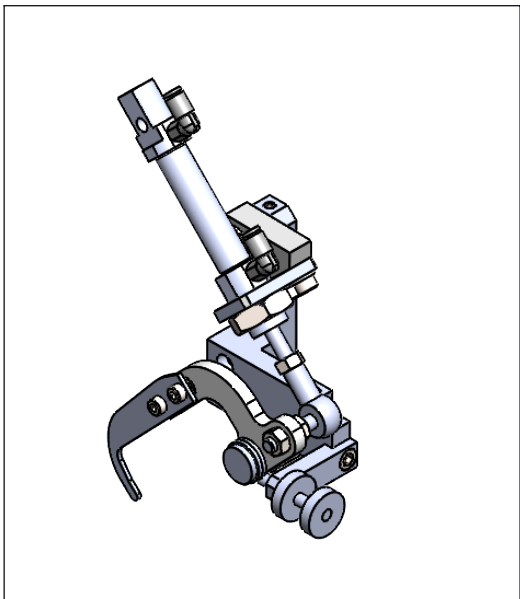
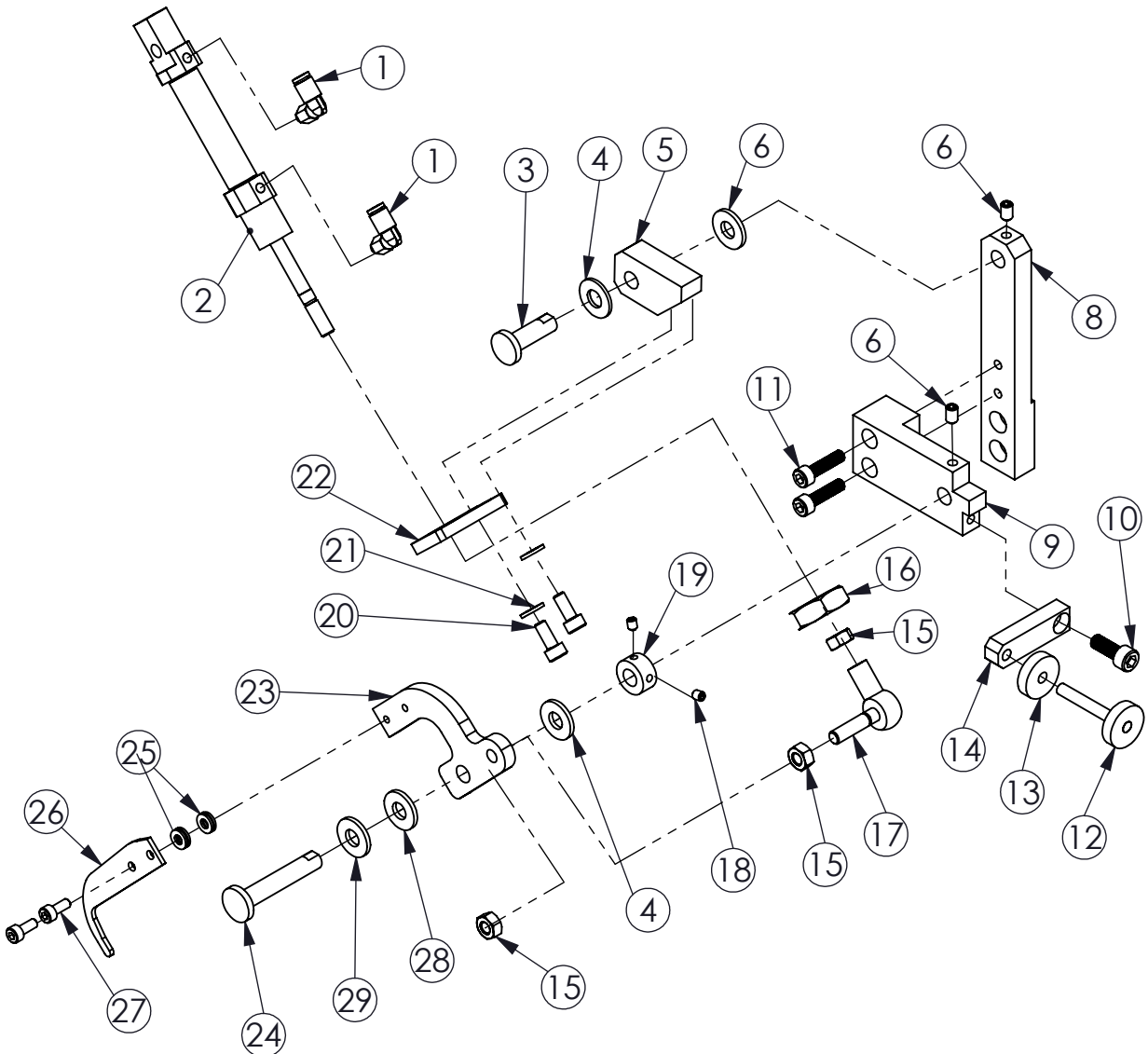
Det	PART NUMBER	DESCRIPTION
1	10-30005-00-000	Knee Switch
2	01-90010-05-040	Screw
3	11-11068-00-000	Knee Switch Support
4	16-40003-18-404	Speed Controller
5	01-11000-04-010	Screw
6	01-11000-05-008	Screw
7	11-11069-00-000	Knee Switch Holder
8	16-10040-00-200	Cylinder
9	01-90007-05-080	Screw
10	02-11000-06-000	Nut
11	11-11067-00-000	Knee Switch Holding Bar
12	01-31000-06-045	Screw
13	17-10011-06-000	Floating Joint
14	17-10009-00-000	Rod End
15	16-30034-18-204	Elbow Joint

## CONTROL PANEL



1	11-10084-00-000	COVER
2	03-11000-03-000	WASHER
3	01-21000-03-012	SCREW
4	02-11000-05-000	NUT
5	03-11000-05-000	WASHER
6	01-11000-05-020	SCREW
7	11-10369-00-000	MOUNTING BLOCK
8	11-40006-00-000	PANEL MOUNTING SUPPORT
9	01-11000-05-070	SCREW
10	01-90011-05-030	SCREW
11	11-11066-00-000	SUPPORT
12	01-11000-05-012	SCREW
13	10-70001-01-442-2	CONTROL PANEL
14	11-10084-00-000	CONNETION NUT

# GATHERING DEVICE

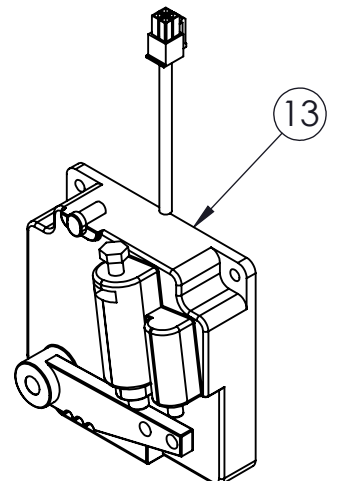
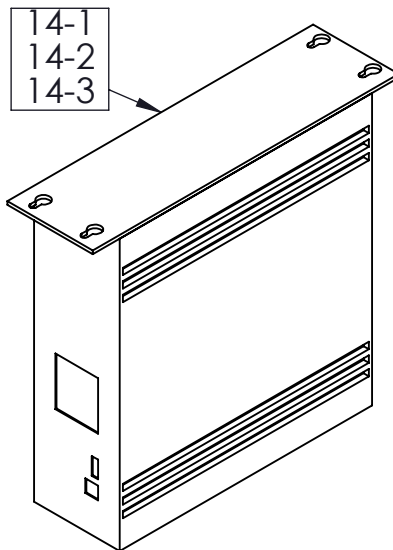
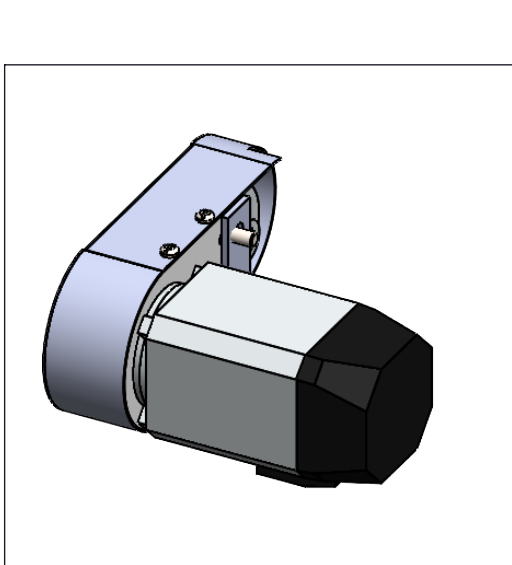
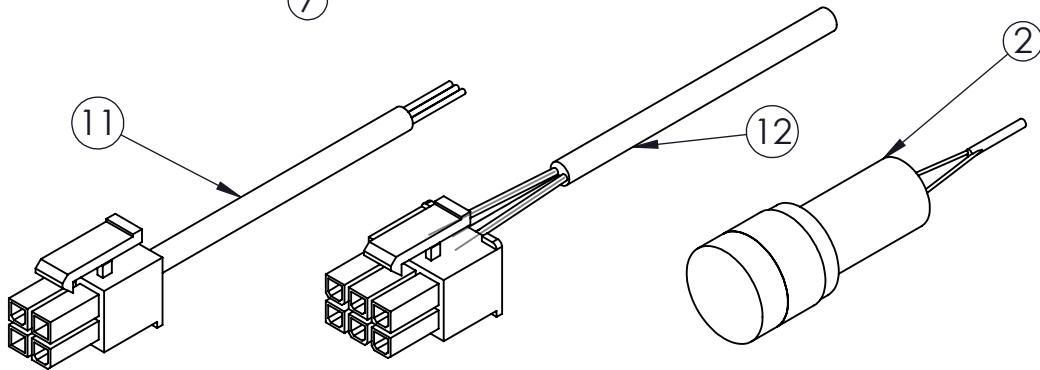
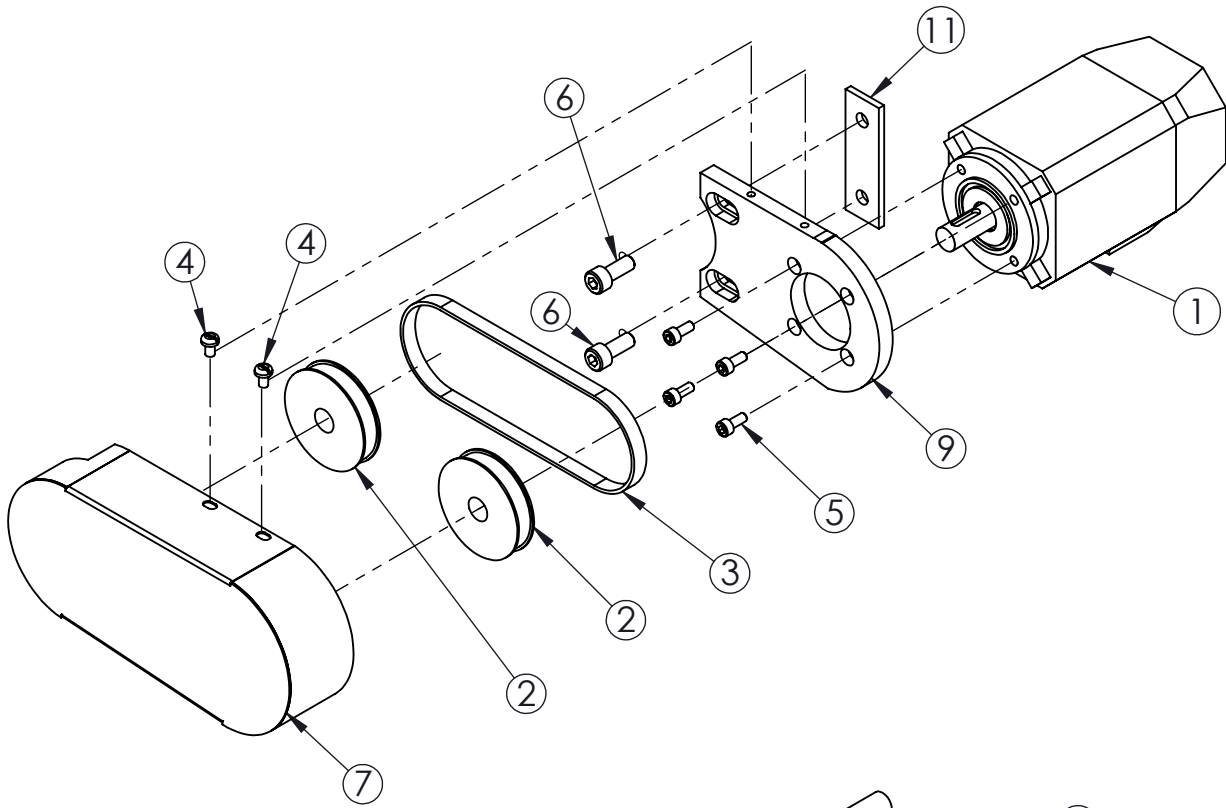




## GATHERING DEVICE

Det	PART NUMBER	DESCRIPTION
1	16-30006-05-204	Elbow Joint
2	16-10055-00-100	Cylinder
3	136.0133	Connecting Pin
4	143.0088	Washer
5	11-11060-00-000	Holder
6	143.0184	Washer
7	175.0502	Screw
8	114.1010	Support
9	114.1009	Mounting Block
10	171.0605	Screw
11	01-11000-05-025	Screw
12	177.0658	Adjusting Screw
13	179.0645	Washer
14	114.1011	Adjusting Screw Support
15	02-11000-06-000	Nut
16	02-11000-16-020	Nut
17	17-10009-00-000	Rod End
18	01-31000-04-005	Screw
19	246.0208	Coller
20	01-11000-05-012	Screw
21	03-11000-05-000	Washer
22	11-11061-00-000	Cylinder Support
23	121.0917	Gathering Guide Lever
24	136.0132	Connecting Pin
25	169.0005	Washer
26	186.0460	Gathering Guide
27	171.0505	Screw
28	143.0089	Washer
29	164.0070	Washer

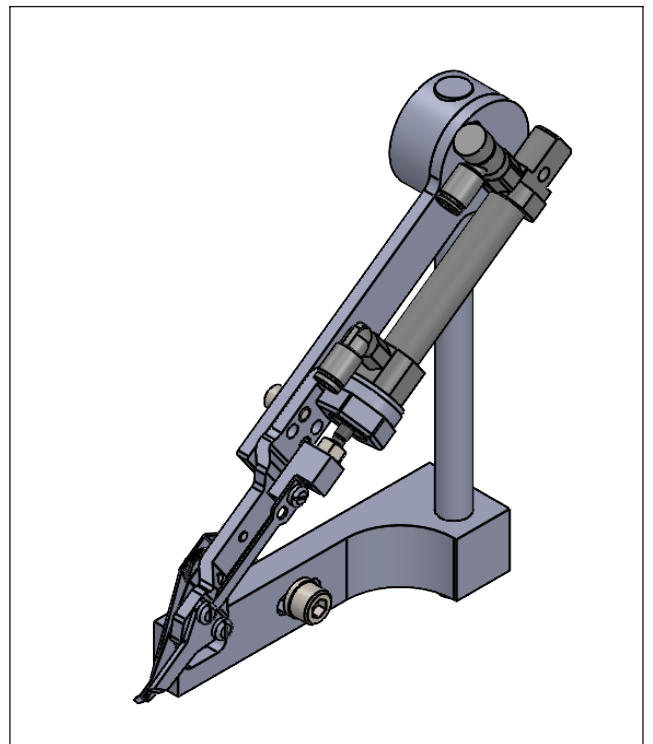
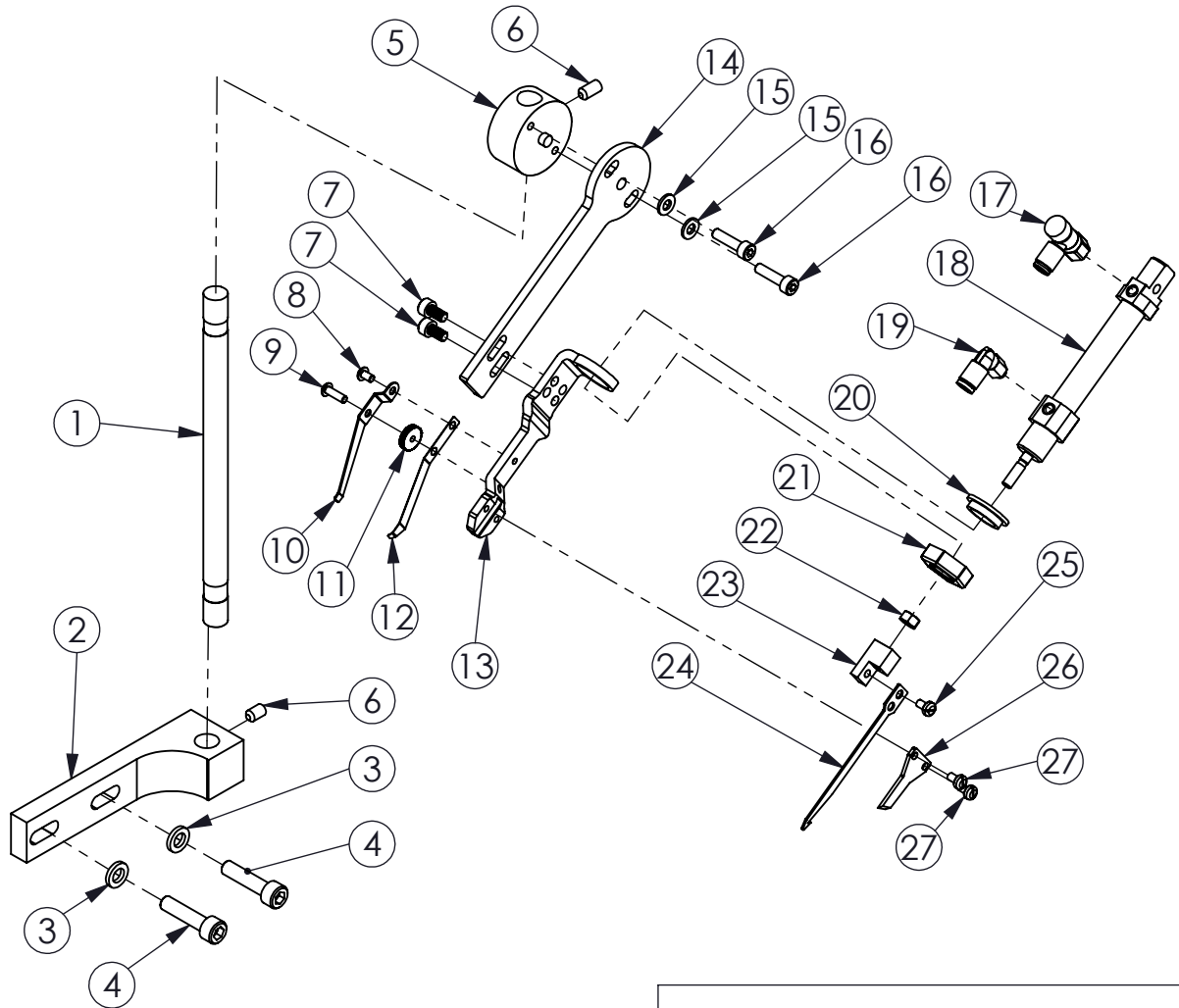
# MOTOR



## MOTOR AND CONTROL BOX

Det	PART NUMBER	DESCRIPTION
1	HS-M1-60-FE118	Motor
2	10-30016-00-000	Buzer
3	09-40009-09-420	Belt
4	08-40006-14-036	Pulley
5	01-21000-05-008	Screw
6	01-11000-05-012	Screw
7	01-11000-08-020	Screw
8	11-11072-00-000	Cover
9	11-11044-00-000	Motor Bracket
10	11-11070-00-000	Spacer
11	10-20005-02-1300	Cable
12	10-20008-03-150	Cable
13	HS-2VPG2006005	Speed Controler
14-1	HS-TD816-4-ST(1)	Motor Driver
14-2	HS-TD816-4-ST(2)	Motor Driver
14-3	HS-TD816-4-ST(3)	Motor Driver

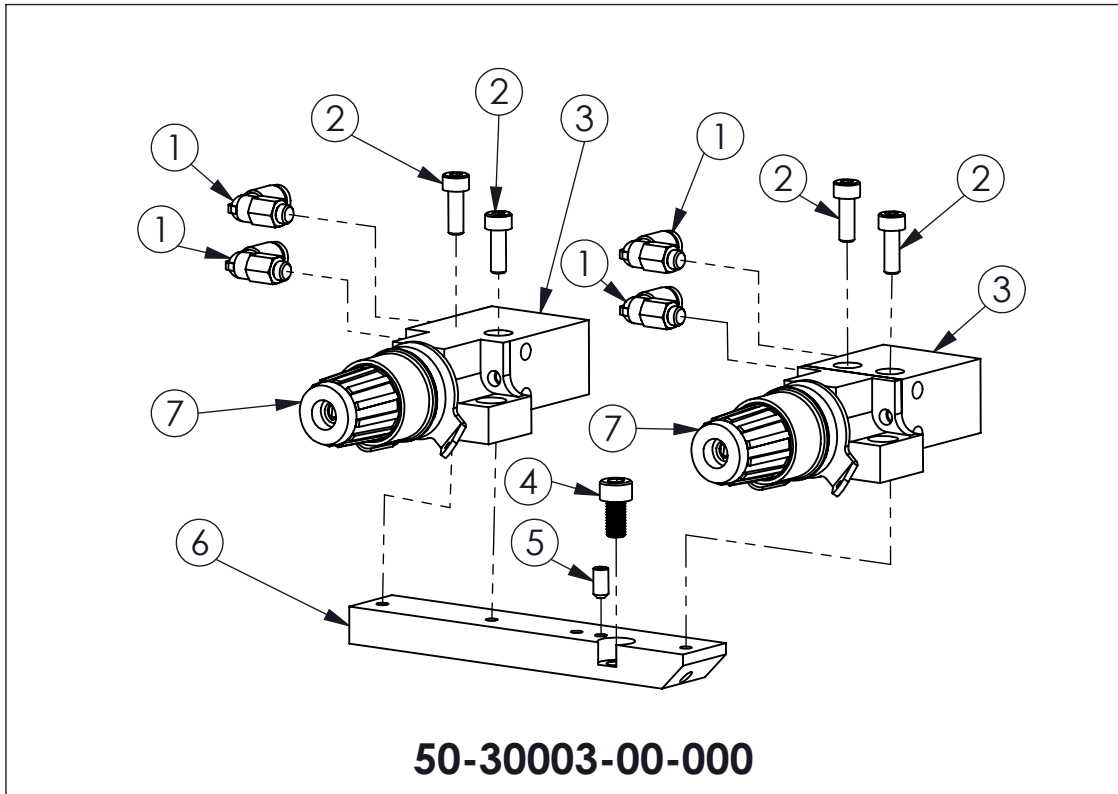
# THREAD TRIMMER



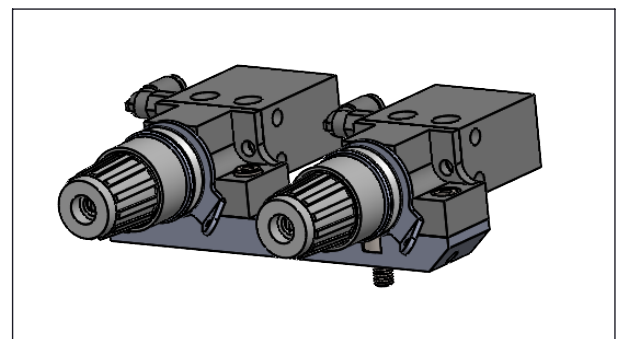
## THREAD TRIMMER

DET	PART NUMBER	DESCRIPTION
1	11-11090-00-000	Shaft
2	11-10634-00-000	Trimmer Unit Support
3	03-11000-06-000	Washer
4	01-11000-06-025	Screw
5	11-11089-00-000	Connectiing Block
6	01-31000-06-008	Screw
7	01-11000-04-008	Screw
8	01-41000-03-004	Screw
9	01-41000-03-008	Screw
10	KE233	Thread Holder Pressure
11	P/W600EST-018	Adjusting Nut
12	KE232	Thread Holder
13	P/W600PST-001	Mount Block
14	11-11025-00-000	Mount Block Holder
15	03-11000-04-000	Washer
16	01-11000-04-016	Screw
17	16-40007-05-404	Speed Controler
18	16-10058-10-025	Cylinder
19	06-30006-05-204	Elbow Joint
20	11-11144-00-000	Spacer
21	02-11000-12-010	Nut
22	02-11000--04-000	Nut
23	P/W600PST-008	Knife Holder
24	W600PST-004	Thread Pick-up
25	TE1513	Screw
26	W600PST-005	Trimming Blade
27	TE1512	Screw

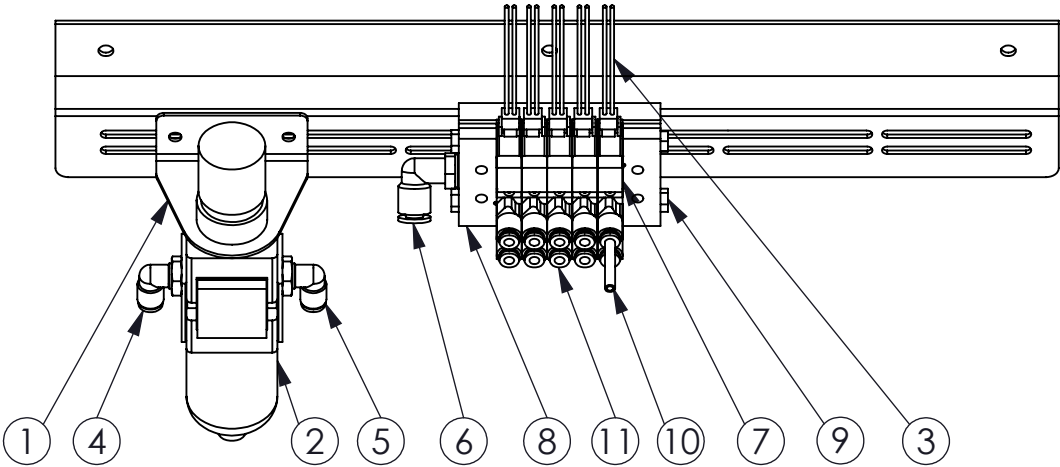
## TENSION DEVICE



1	16-30006-05-206	ELBOW JOINT
2	01-11000-04-012	SCREW
3	16-10056-00-900	CYLINDER
4	01-11000-05-010	SCREW
5	05-31000-04-012	SCREW
6	11-11063-00-000	MOUNTING BLOCK
7	50-30003-00-900	TENSION COMPLETE

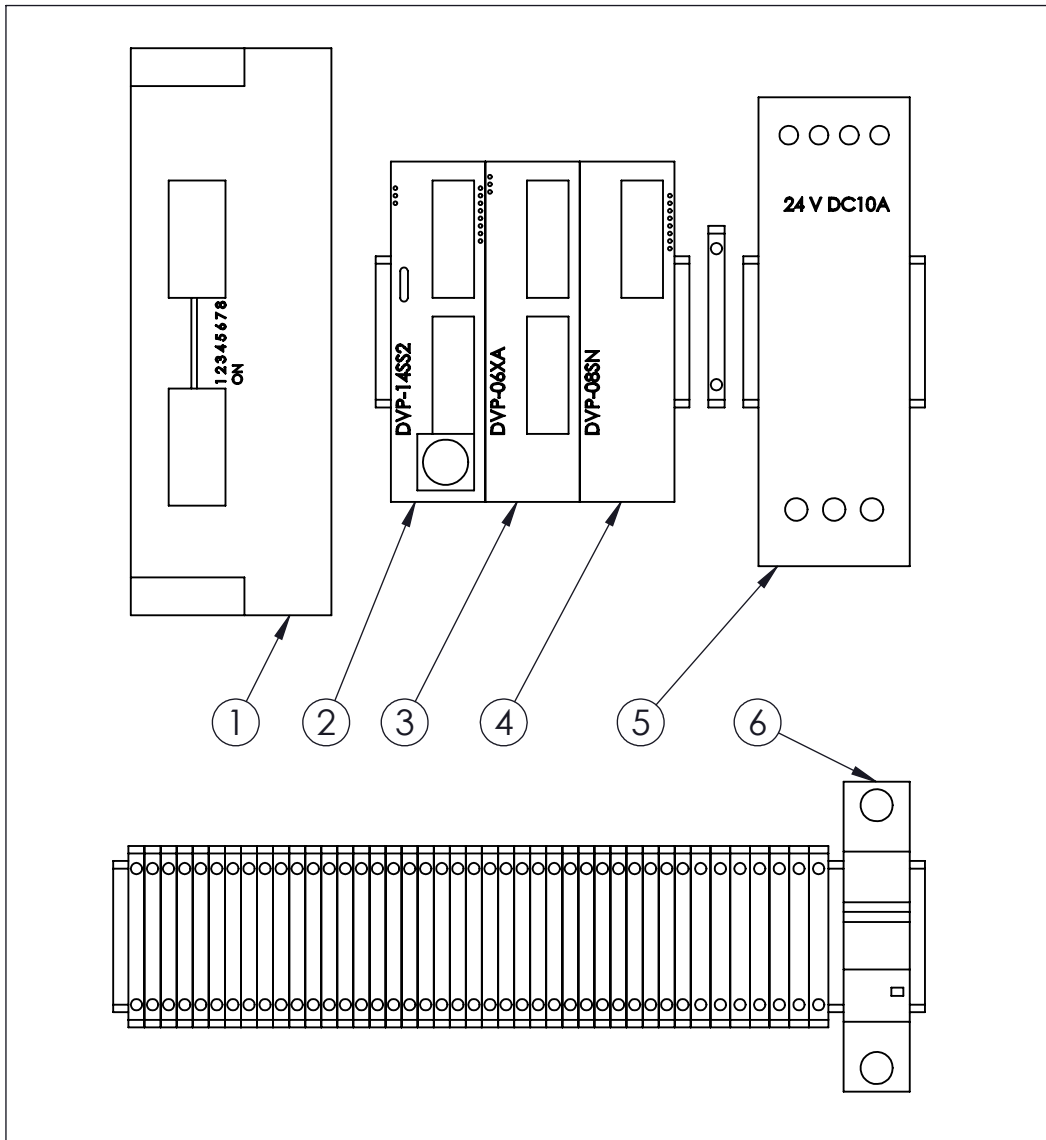


# PNEUMATIC UNIT



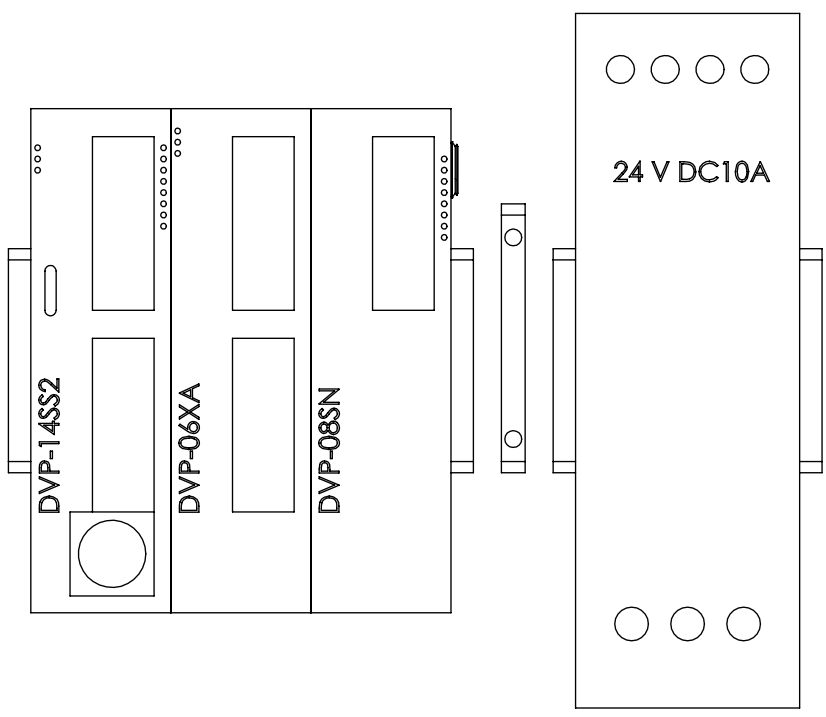
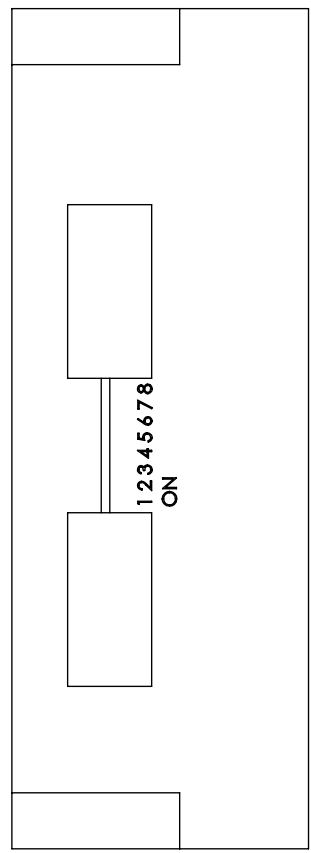
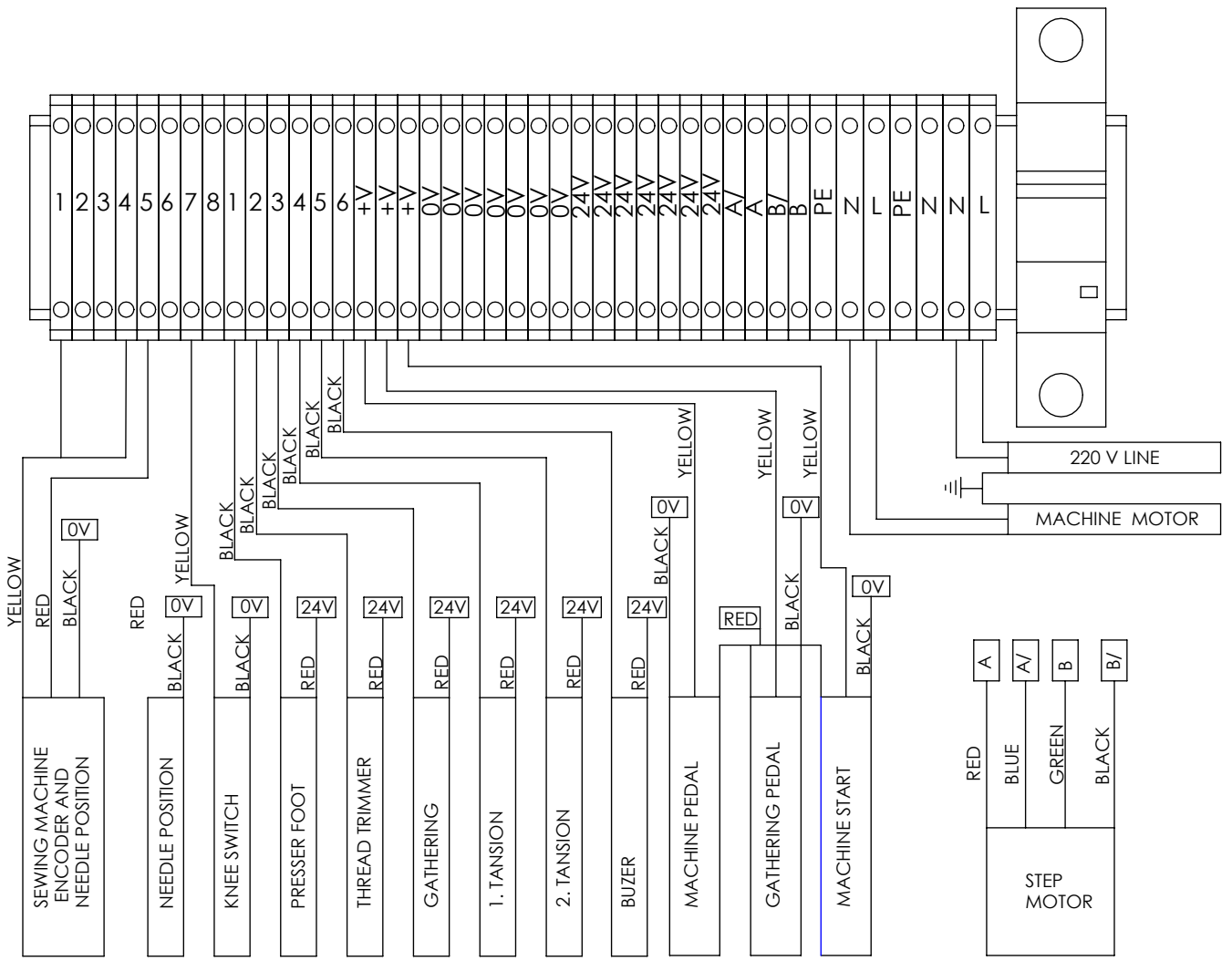
1	16-70006-00-006-C	REGULATOR HOLDER
2	16-40012-04-100-C	REGULATOR
3	10-20001-00-000	PNEUMATIC VALVE CABLE
4	16-30033-14-208-C	ELBOW JOINT
5	16-30032-14-206-C	ELBOW JOINT
6	16-30005-18-206-C	ELBOW JOINT
7	16-20001-05-104-C	PNEUMATIC VALVE
8	16-70005-05-005	AIR VALVE PLATE
9	16-60006-18-000	SILENCER
10	16-50001-04-000	TUBE
11	16-30012-05-104-C	Joint

## MAIN POWER SUPPLY AND CONTROL UNIT



1	10-40022-00-000	STEP MOTOR DRIVER
2	10-40013-00-444-2	PLC
3	10-40025-00-000	ANALOG CARD
4	10-40016-00-000	OUT PUT MODULE
5	10-30009-00-000	POWER
6	10-30014-00-000	FUZE





## PARTS INDEX

<b>PART NUMBER</b>	<b>DESCRIPTION</b>	<b>PAGE</b>	<b>DET</b>
01-11000-04-008	Screw	11	7
01-11000-04-010	Screw	4	5
01-11000-04-012	Screw	12	2
01-11000-04-016	Screw	11	16
01-11000-04-020	Screw	2	23
01-11000-05-008	Screw	4	6
01-11000-05-010	Screw	12	4
01-11000-05-012	Screw	5	12
01-11000-05-012	Screw	7	20
01-11000-05-012	Screw	9	6
01-11000-05-020	Screw	5	6
01-11000-05-025	Screw	7	11
01-11000-05-070	Screw	5	9
01-11000-06-020	Screw	2	31
01-11000-06-025	Screw	11	4
01-11000-06-030	Screw	2	20
01-11000-08-020	Screw	9	7
01-21000-03-012	Screw	5	3
01-21000-05-008	Screw	9	5
01-31000-04-005	Screw	7	18
01-31000-04-012	Screw	12	5
01-31000-05-005	Screw	2	27
01-31000-05-008	Screw	2	26
01-31000-05-010	Screw	2	22
01-31000-06-008	Screw	11	6
01-31000-06-012	Screw	2	30
01-31000-06-045	Screw	4	12
01-41000-03-004	Screw	11	8
01-41000-03-005	Screw	2	28
01-41000-03-006	Screw	2	29
01-41000-03-008	Screw	11	9
01-41000-04-010	Screw	2	25
01-41000-05-020	Screw	2	24
01-90007-05-080	Screw	4	9
01-90010-05-040	Screw	4	2
01-90011-05-030	Screw	5	10
02-11000--04-000	Nut	11	22
02-11000-05-000	Nut	5	4
02-11000-06-000	Nut	4	10
02-11000-06-000	Nut	7	15

<b>PART NUMBER</b>	<b>DESCRIPTION</b>	<b>PAGE</b>	<b>DET</b>
02-11000-12-010	Nut	11	21
02-11000-16-020	Nut	7	16
03-11000-03-000	Washer	5	2
03-11000-04-000	Washer	11	15
03-11000-05-000	Washer	5	5
03-11000-05-000	Washer	7	21
03-11000-06-000	Washer	2	21
03-11000-06-000	Washer	11	3
06-30006-05-204	Elbow Joint	11	19
07-10017-05-014	Bearing	2	13
07-10025-12-037	Bearing	2	6
08-40003-14-024	Pulley	2	3
08-40004-12-024	Pulley	2	4
08-40006-14-036	Pulley	9	4
08-80005-00-000	Front Cup	2	12
09-40002-10-450	Belt	2	19
09-40009-09-420	Belt	9	3
10-10009-00-000	Connecting Cabel	2	33
10-20001-00-000	Pneumatic Valve Cable	13	3
10-20005-02-1300	Cable	9	11
10-20008-03-150	Cable	9	12
10-30005-00-000	Knee Switch	4	1
10-30009-00-000	Power	14	5
10-30014-00-000	Fuze	14	6
10-30016-00-000	Buzer	9	2
10-40013-00-444-2	Plc	14	2
10-40016-00-000	Out Put Module	14	4
10-40021-00-000	Steping Motor	2	1
10-40022-00-000	Step Motor Driver	14	1
10-40025-00-000	Analog Card	14	3
10-70001-01-444-2	Control Panel	5	13
11-10084-00-000	Cover Mounting Nut	5	14
11-10127-01-002	Control Box	5	1
11-10146-00-000	Nut	2	17
11-10369-00-000	Panel Holder	5	7
11-10634-00-000	Trimmer Unit Support	11	2
11-11025-00-000	Mount Block Holder	11	14
11-11044-00-000	Motor Bracket	9	9
11-11045-00-000	Lever Asm.	2	32
11-11046-00-000	Bumper Holder	2	8
11-11047-00-000	Mounting Block	2	2
11-11048-00-000	Cover	2	15

<b>PART NUMBER</b>	<b>DESCRIPTION</b>	<b>PAGE</b>	<b>DET</b>
11-11051-00-000	Screw	2	14
11-11052-00-000	Shaft	2	5
11-11055-00-000	Connecting Shaft	2	7
11-11056-00-000	Gear Mounting Block	2	11
11-11057-00-000	Guide Washer	2	18
11-11058-00-000	Cover	2	16
11-11060-00-000	Holder	7	5
11-11061-00-000	Cylinder Support	7	22
11-11063-00-000	Tension mounting Block	12	6
11-11066-00-000	Stand Base	5	11
11-11067-00-000	Knee Switch Holding Bar	4	11
11-11068-00-000	Knee Switch Support	4	3
11-11069-00-000	Knee Switch Holder	4	7
11-11070-00-000	Spacer	9	10
11-11072-00-000	Cover	9	8
11-11089-00-000	Connectiing Block	11	5
11-11090-00-000	Shaft	11	1
11-11099-00-000	Slide Washer	2	34
11-11100-00-002	Gear	2	10
11-11144-00-000	Spacer	11	20
114.1009	Mounting Block	7	9
114.1010	Support	7	8
114.1011	Adjusting Screw Support	7	14
11-40006-00-000	Control Box Holder	5	8
121.0917	Gathering Guide Lever	7	23
136.0132	Connecting Pin	7	24
136.0133	Connecting Pin	7	3
143.0088	Washer	7	4
143.0089	Washer	7	28
143.0184	Washer	7	6
15-60015-00-000	Bumper	2	9
16-10040-00-200	Cylinder	4	8
16-10055-00-100	Cylinder	7	2
16-10056-00-900	Tension Cylinder	12	3
16-10058-10-025	Cylinder	11	18
16-20001-05-104-C	Pneumatic Valve	13	7
16-30005-18-206-C	Elbow Joint	13	6
16-30006-05-204	Elbow Joint	7	1
16-30006-05-206	Elbow Joint	12	1
16-30012-05-104	Joint	13	11
16-30032-14-206-C	Elbow Joint	13	5
16-30033-14-208-C	Elbow Joint	13	4

<b>PART NUMBER</b>	<b>DESCRIPTION</b>	<b>PAGE</b>	<b>DET</b>
16-30034-18-204	Elbow Joint	15	4
164.0070	Washer	7	29
16-40003-18-404	Speed Controller	4	4
16-40007-05-404	Speed Controller	11	17
16-40012-04-100-C	Regulator	13	2
16-50001-04-000	Tube	13	10
16-60006-18-000	Silender	13	9
16-70005-05-005	Air Valve Plate	13	8
16-70006-00-006-C	Regulator Holder	13	1
169.0005	Washer	7	25
171.0505	Screw	7	27
171.0605	Screw	7	10
17-10009-00-000	Rod End	4	14
17-10009-00-000	Rod End	7	17
17-10011-06-000	Floating Joint	4	13
50-30003-00-900	Tention Complete	7	12
175.0502	Screw	7	7
177.0658	Adjusting Screw	7	12
179.0645	Washer	7	13
186.0460	Gathering Guide	7	26
246.0208	Coller	7	19
HS-2VPG2006005	Speed Controller	9	13
HS-M1-60-FE118	Motor	9	1
HS-TD816-4-ST(1)	Motor Driver	9	14-1
HS-TD816-4-ST(2)	Motor Driver	9	14-2
HS-TD816-4-ST(3)	Motor Driver	9	14-3
KE232	Thread Holder	11	12
KE233	Thread Holder Pressure	11	10
P/W600EST-018	Adjusting Nut	11	11
P/W600PST-001	Mount Block	11	13
P/W600PST-008	Knife Holder	11	23
TE1512	Screw	11	27
TE1513	Screw	11	25
W600PST-004	Thread Pick-up	11	24
W600PST-005	Trimming Blade	11	26

## Und wir können noch mehr für Sie tun!

Unser Lieferprogramm bietet für jede Branche und jegliche Anforderung genau die richtige Problemlösung.

### Für die Bekleidungsindustrie:

- Ein- und Zweifaden-Hochleistungs-Saummaschinen
- Doppelblindstich-Saummaschinen
- Zweifaden-Blindstich-Staffiermaschinen
- Roll- und Flachpikiermaschinen
- Pikier-Automat  
und
- weitere Spezial-Nähmaschinen

### Für die Schuhverarbeitung:

- Einfaden-Überwendlich-maschinen mit und ohne Differentialtransport

### Für Kürschnereien und Pelzkonfektionen:

- Pelzschnellnäher

### Für Heimtextilien:

- Ein- und Zweifaden-Blindstichmaschinen

### Für die Polsterverarbeitung:

- Ein- und Zweifaden-Überwendlichmaschinen
- Ein- und Zweifaden-Blindstichmaschinen

### Für die Konfektion technischer Textilien:

- Ein- und Zweifaden-Überwendlichmaschinen

## *The sign of quality*

*Our range offers the correct problem solution for every branch and for all requirements.*

### *For the clothing industry:*

- *Single and two thread high performance hemming machines*
- *Bluff edge hemming machines*
- *Two thread blindstitch felling machines*
- *Roll and flat padding machines*
- *Automatic lapel padding machine  
and*
- *other special sewing machines*

### *For the shoe industry:*

- *Single-thread overseaming machines with and without differential feed*

### *For the fur industry:*

- *High-speed fur sewing machines*

### *For the home textiles industry:*

- *Single and two thread blindstitch machines*

### *For the upholstery industry:*

- *Single and two thread overseaming machines*
- *Single and two thread blindstitch machines*

### *For the processing of technical textiles:*

- *Single and two thread overseaming machines*

## Noch Fragen?

Dann rufen Sie uns an, schreiben Sie uns oder kommen Sie einfach bei uns vorbei. Sie können jederzeit weitere Informationen über unsere Produkte anfordern oder die Strobel-Nähmaschinen in unserem Ausstellungsraum live erleben. Wir freuen uns auf Sie!

### *The sign of quality*

*Then phone, write or simply come and see us. You can have further information about our products at any time, or experience the Strobel machines live in our show room. We´re looking forward to meeting you!*

**STROBEL.**