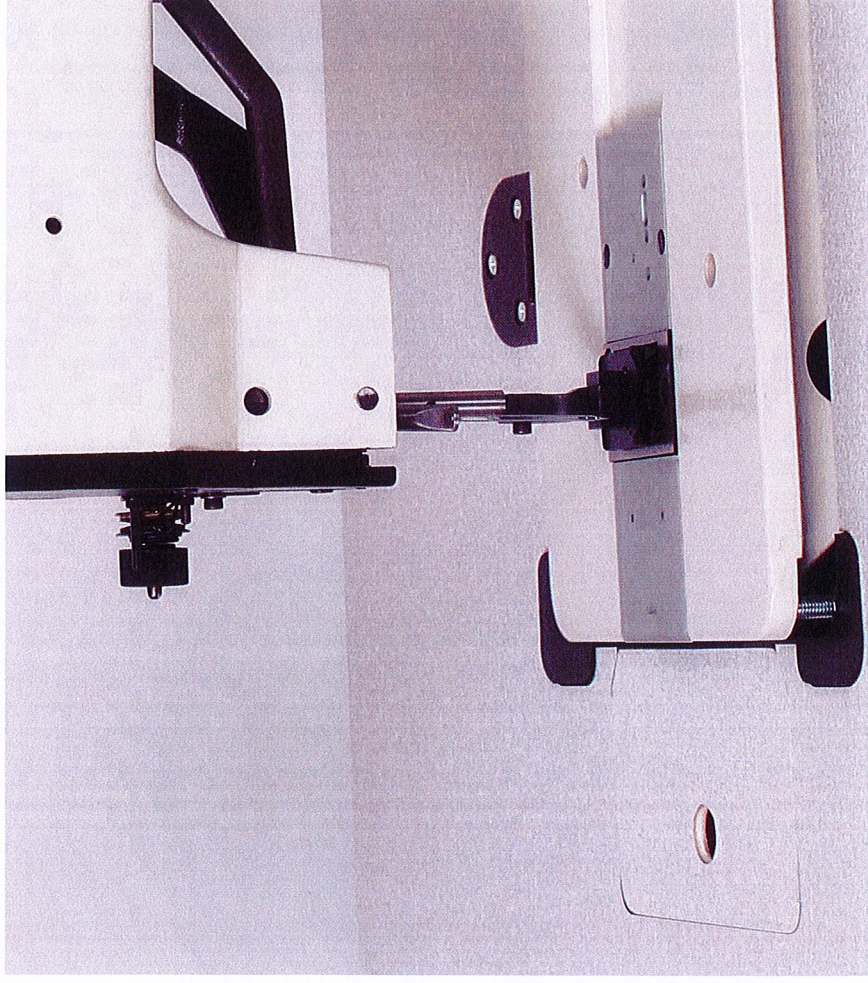
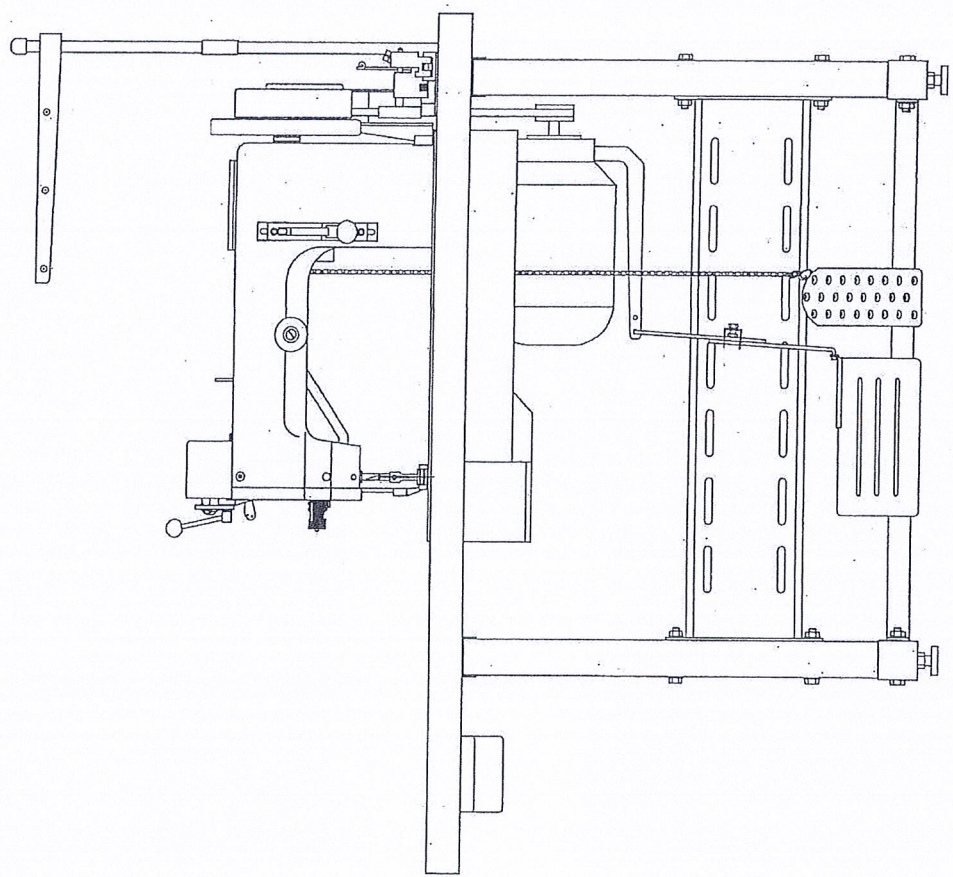


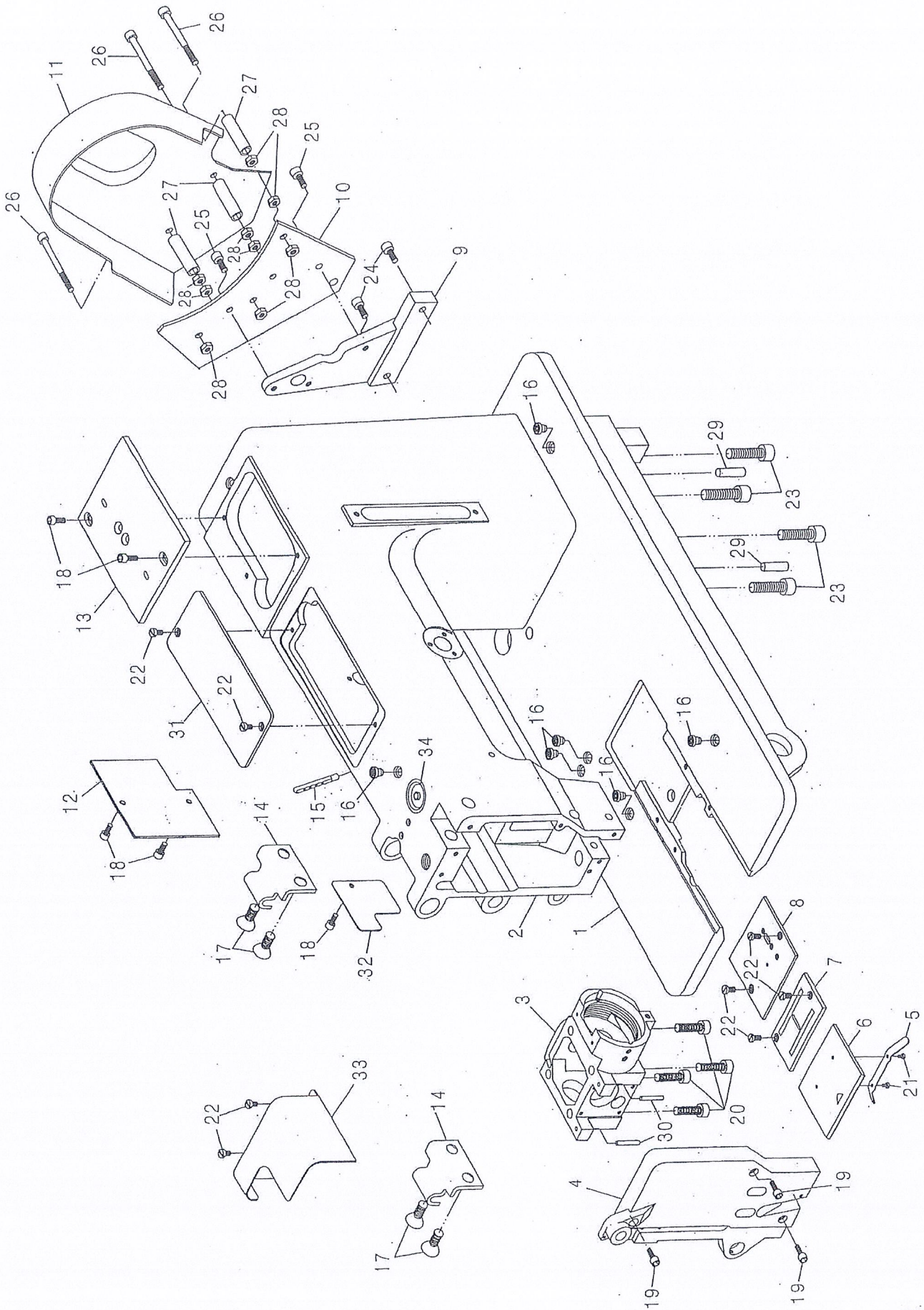
GLOBAL

ZZ 1266

Extra heavy duty zig-zag machine

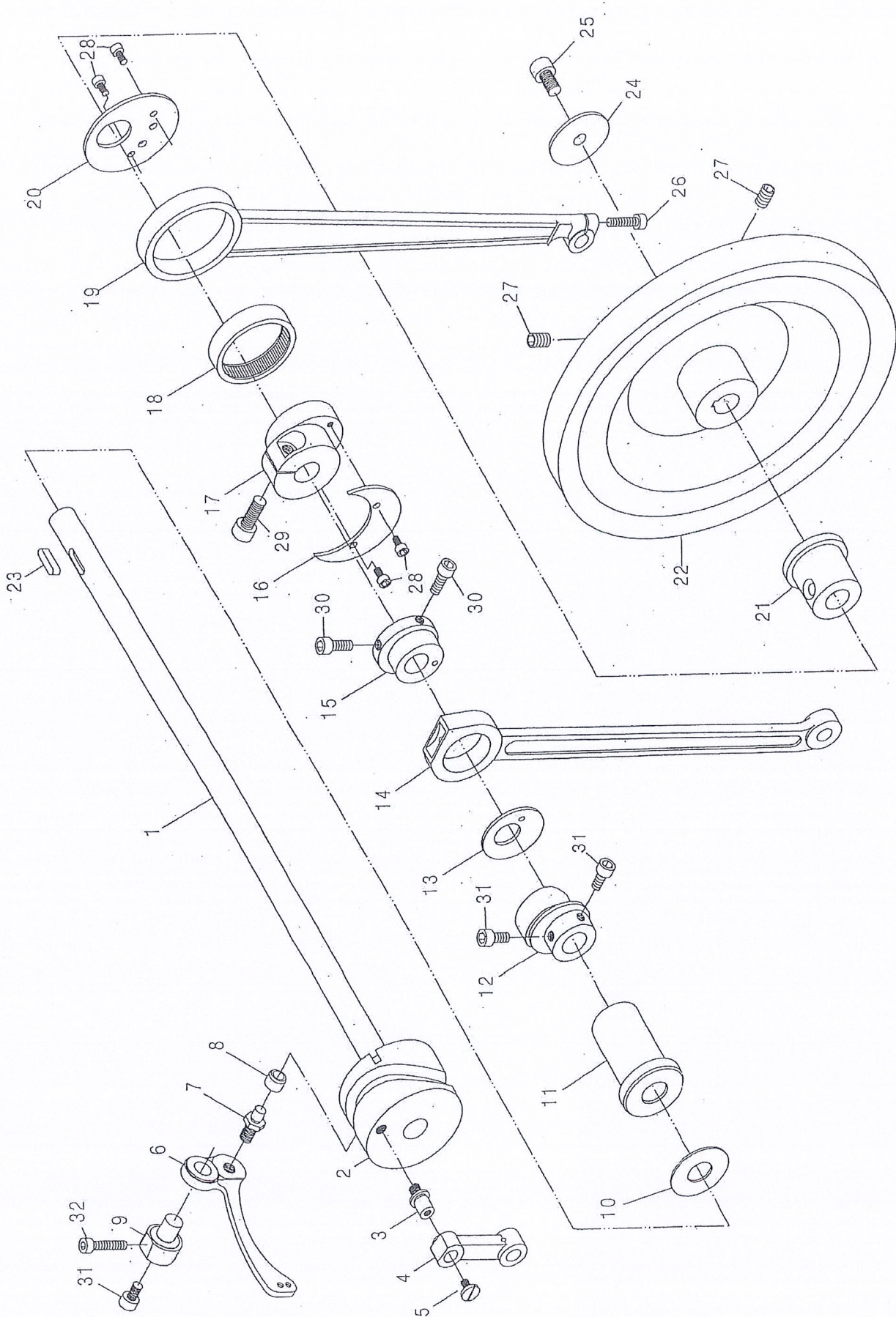




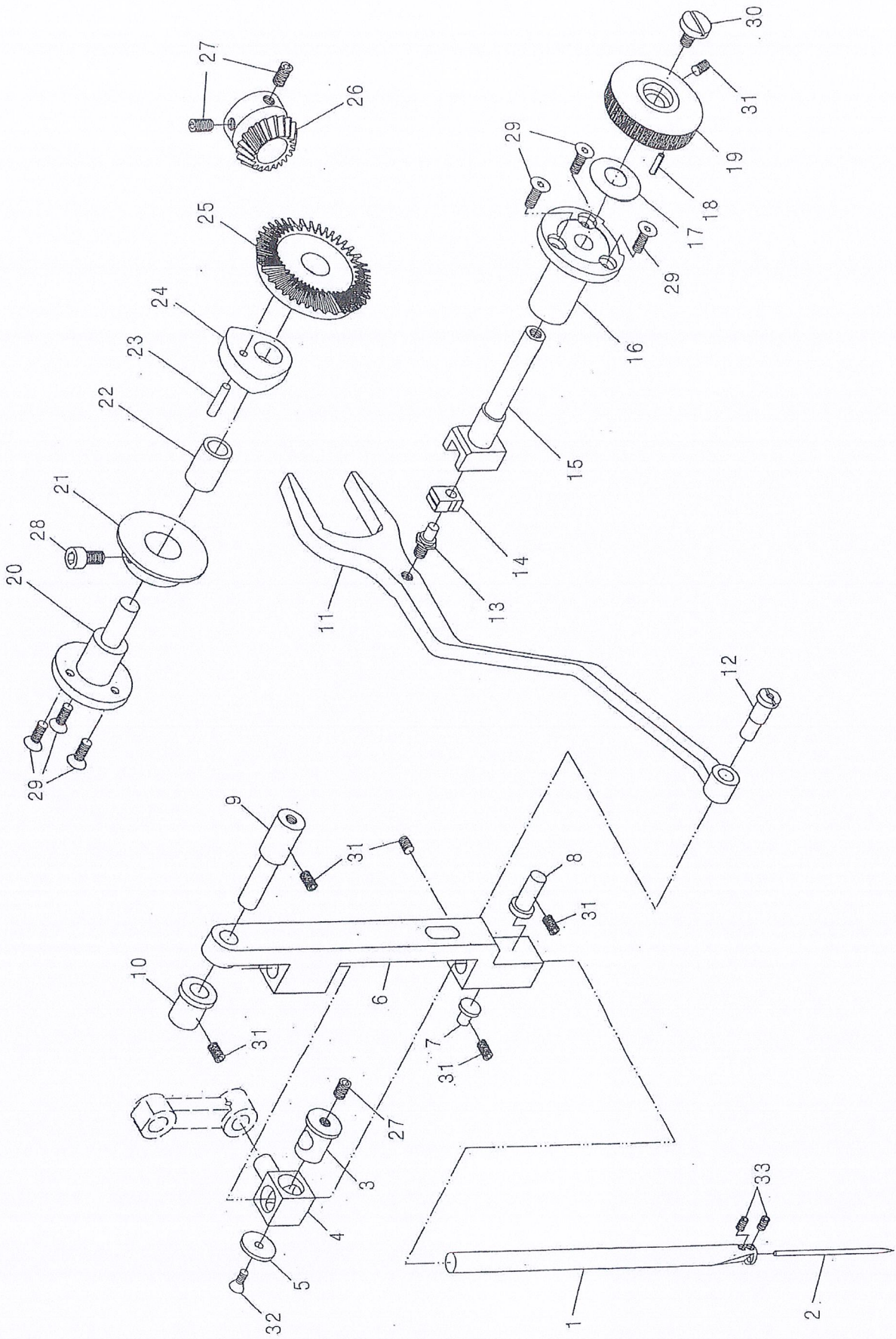


Description

1	F0101	bottom plate	1
2	SF0102	head case	1
3	F0103	base of shuttle bed	1
4	SF0104	face plate	1
5	GW100	push pedal spring	1
6	GK205	sliding plate (left)	1
7	SF0107	needle plate	1
8	GK206	connection board	1
9	M0110	angle stand	1
10	M0111	belt hood support	1
11	M0112	belt hood	1
12	SF0112	back cover	1
13	GK201	upper cover plate	1
14	GXR222	hinge 2	2
15	GX101	threading screw	1
16	GK209A	small oil scal	7
17	GS17520	screw	4
18	GS13312	screw	5
19	GS13316	screw	3
20	GS13530	screw	4
21	GS12104	screw	2
22	GS172	screw	8
23	GS13635	screw	4
24	GS13420	screw	2
25	GS13416	screw	2
26	GS13480	screw	3
27	GO100	belt hood screw saddle	3
28	GL204	nut	9
29	GS105	pin	2
30	M0131	pin	2
31	104A0131	upper cover plate	1
32	SF0132	side plate (front)	1
33	SF0133	hood	1
34	GK208	big oil seal	1

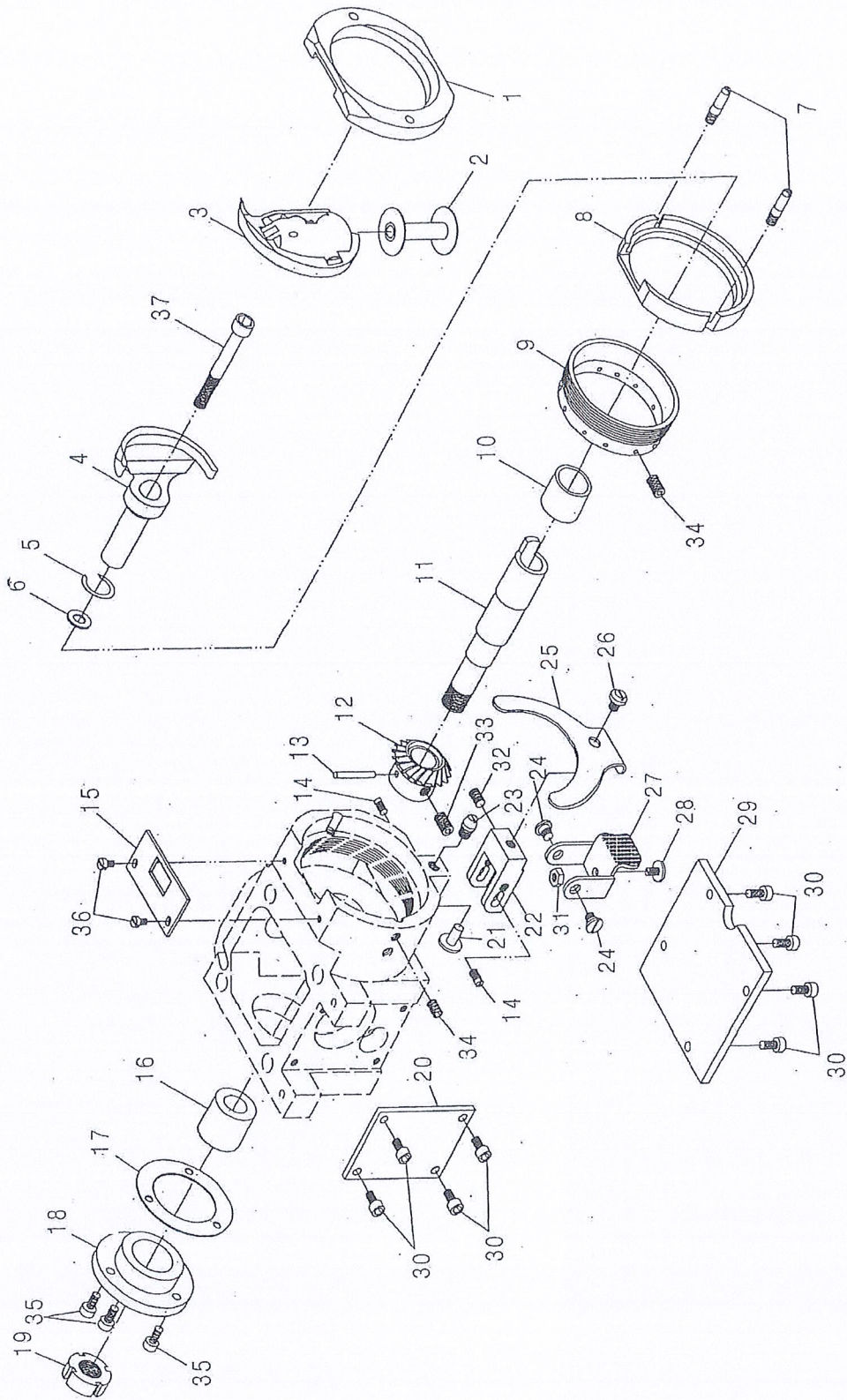


	Description		
1	GZ107	upper shaft	1
2	F0202	thread take-up cam	1
3	F0203	screw	1
4	M0217	needle bar connecting rod	1
5	F0205	screw	1
6	M0212	thread take-up lever	1
7	GZ105	roller shaft	1
8	GU100	thread take-up roller	1
9	M0213	thread take-up shaft	1
10	GS215	washer	1
11	F0211	upper shaft (front)	1
12	M0218	cam	1
13	M0220	slide plate	1
14	M0221	feed dog lift connecting rod	1
15	M0222	feed dog lift eccentric	1
16	GK237	slide plate (B)	1
17	GO129	eccentric sleeve	1
18	HK4512	needle roller bearing	1
19	M0229	connecting rod	1
20	GK236	slide plate (A)	1
21	GO107	upper shaft (back)	1
22	M0207	pulley	1
23	GK216	upper shaft key	1
24	GK217	washer	1
25	GS13525	screw	1
26	GS13316	screw	1
27	GS11516	screw	2
28	GS13206	screw	4
29	GS13525	screw	1
30	GS13420	screw	2
31	GS13410	screw	3
32	GS13440	screw	1



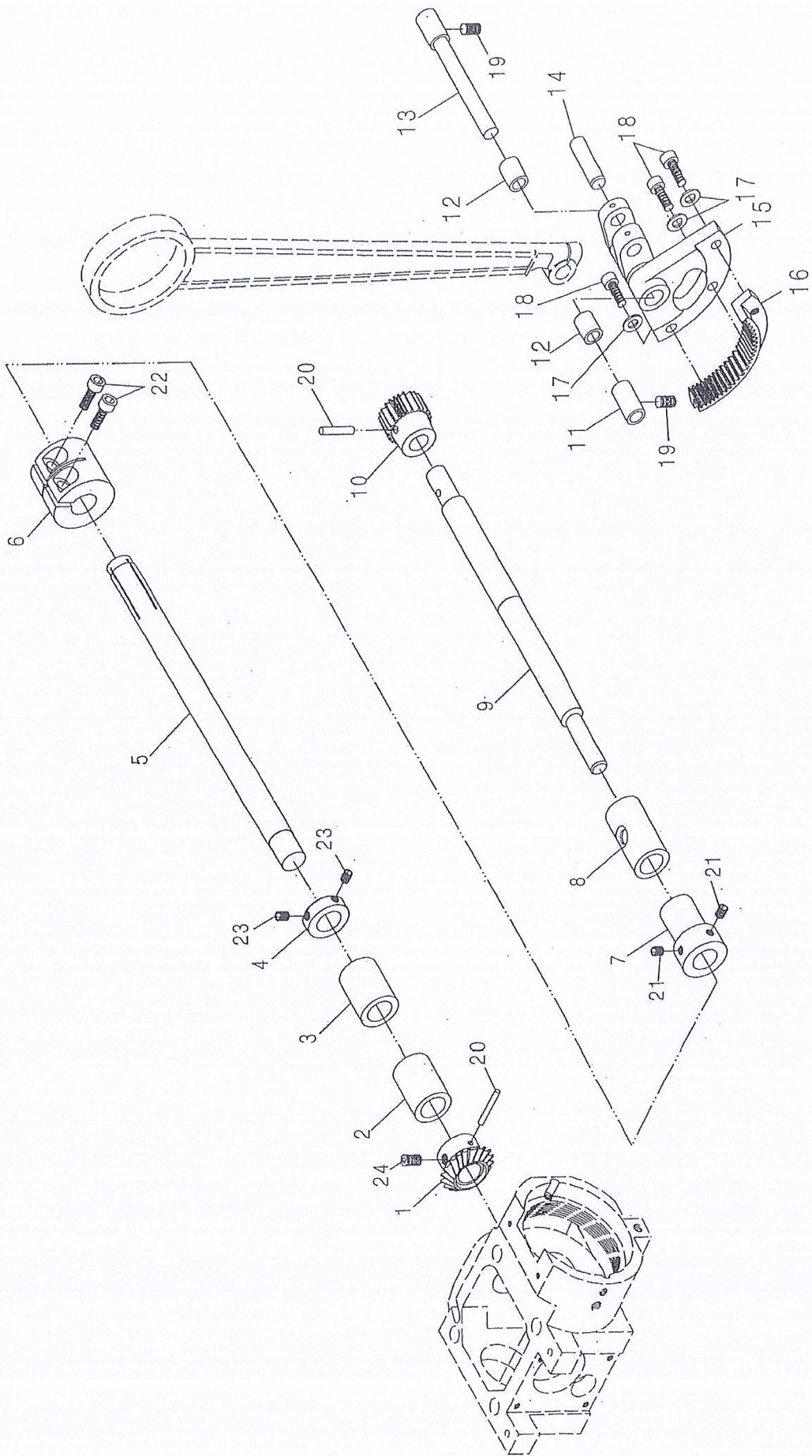
Description

1	F0301	needle bar	1
2	DY x3	needle	1
3	F0305	rotating bar link	1
4	F0304	needle bar connecting shaft	1
5	F0307	washer	1
6	F0309	pendulum stand	1
7	F0314	pin(left)	1
8	F0313	pin(right)	1
9	F0310	shaft of pendulum stand	1
10	F0311	bushing	1
11	104A07	fork	1
12	F0316	pin(1)	1
13	GZ136	pin	1
14	GU111	copper slider	1
15	104A09	block pin	1
16	104A10	block pin set	1
17	GR254	spring slice	1
18	M0330	split pin	1
19	104A11	button	1
20	104A05	shaft	1
21	104A06	split stop ring	1
22	104A04	bushing	1
23	104A23	pin	1
24	104A03	cam	1
25	104A02	gear	1
26	104A01	gear	1
27	GS11410	screw	3
28	GS13416	screw	1
29	GS16212	screw	6
30	GS153	screw	1
31	GS11305	screw	6
32	GS16208	screw	1
33	GS11205	screw	2



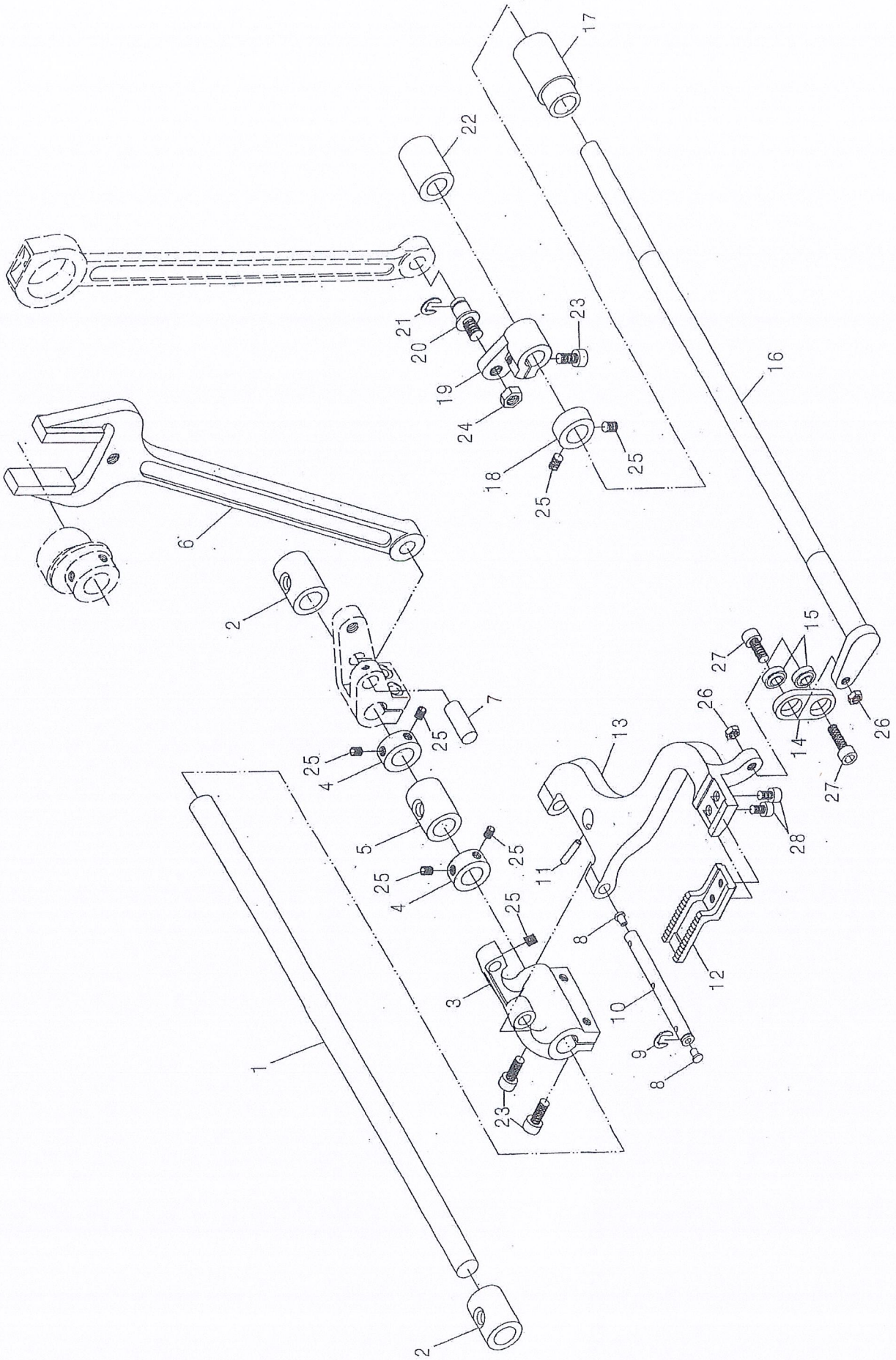
Description

1	F0401	bobbin bed cover	1
2	GN116	bobbin	1
3	GN111/9	shuttle hook	1
4	M0405	shuttle support	1
5	M0406	washer	3
6	M0407	washer	1
7	M0408	screw	2
8	F0408	bobbin bed	1
9	M0410	shuttle set	1
10	M0412	front shaft bushing	1
11	M0413	shaft	1
12	M0414	right helix bevel gear	1
13	M0415	pin	1
14	GX110	screw	2
15	F0415	needle protecting board	1
16	M0419	back shaft bushing	1
17	M0420	washer	1
18	M0421	bushing	1
19	M0423	nut	1
20	M0424	side plate	1
21	GX108	pin	1
22	GK241	bobbin bed press stand	1
23	GX109	screw	1
24	GX112	screw	2
25	GW111	pressing spring	1
26	GX117	screw	1
27	GK243	press stand spanner	1
28	GX113	screw	1
29	M0437	cover	1
30	GS13210	screw	8
31	GL203	nut	1
32	GS102	screw	1
33	GS11406	screw	1
34	GS11306	screw	2
35	GS13216	screw	3
36	GS12104	screw	2
37	GS13460	screw	1

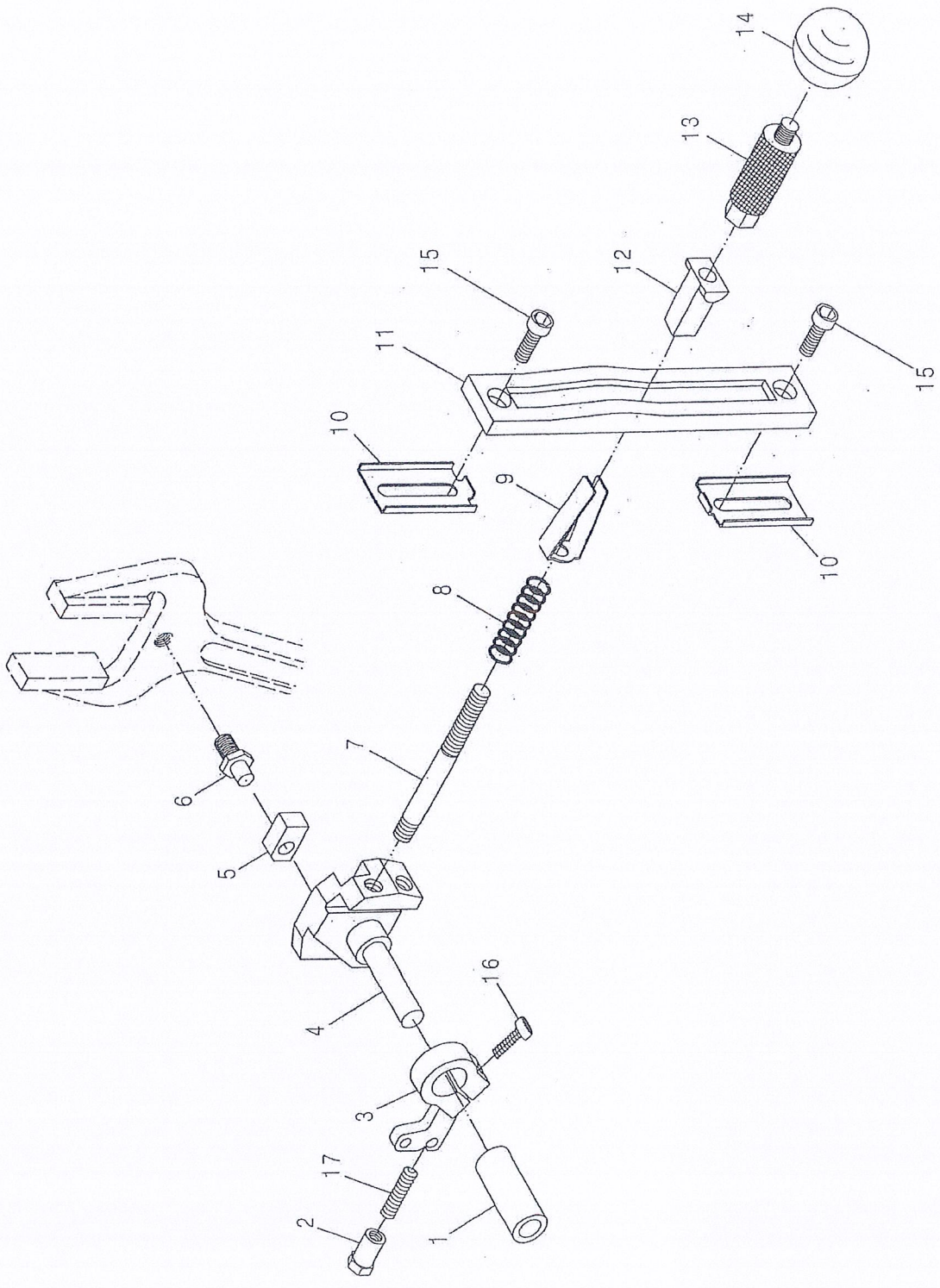


Description

1	M0501	left helix bevel gear	1
2	M0504	front shaft bushing	1
3	M0505	back shaft bushing	1
4	M0506	blocking ring of lower shaft	1
5	M0508	lower shaft	1
6	M0509	tight ring of lower shaft	1
7	M0512	blocking ring of lower shaft	1
8	M0513	back shaft bushing	1
9	GZ112	lower shaft (1)	1
10	GP107	small gear of lower shaft	1
11	GO130	bushing	1
12	GO132	bushing	2
13	M0522	swinging shaft	1
14	GZ128	shaft	1
15	M0524	pendulum axle stand	1
16	GP106	gear	1
17	M0519	washer	3
18	GS13318	screw	3
19	GS10414	screw	2
20	M0415	pin	2
21	GS11406	screw	2
22	GS13416	screw	2
23	GS11306	screw	2
24	GS11406	screw	1

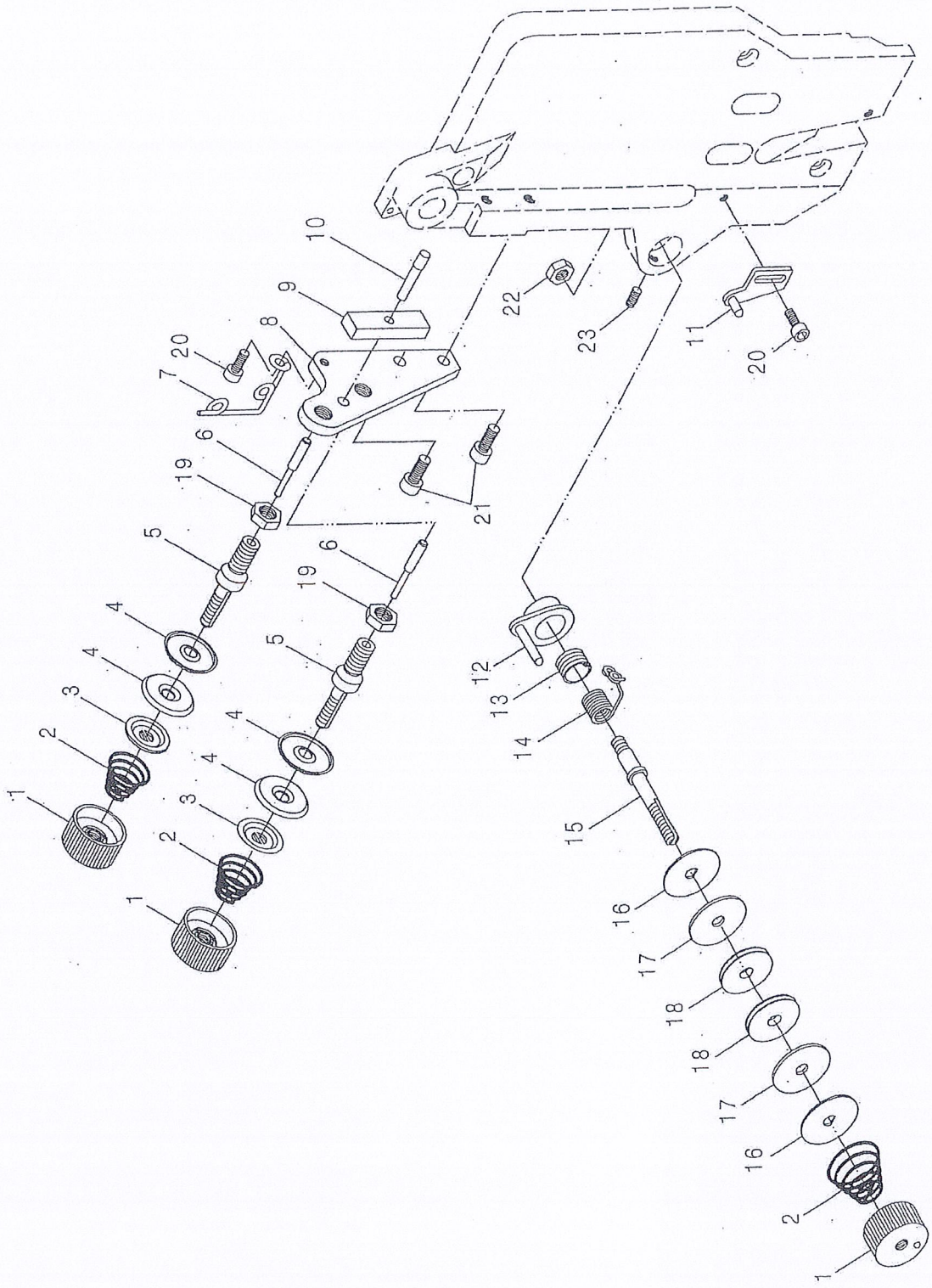


		Description	
1	M0601	bottom feeding shaft	1
2	M0602	back bushing of feeding shaft	2
3	M0604	front feeding crank	1
4	M0605	blocking ring of feeding axle	2
5	M0607	front bushing of feeding shaft	1
6	GH125	teeth fork	1
7	GZ128	pin shaft	1
8	M0614	small oil seal	2
9	M0615	E-shaped snap spring	1
10	M0616	shaft of tooth-shelf	1
11	M0617	oil pipe joint	1
12	SF0612	feed dog	1
13	M0621	shelf	1
14	M0624	connection board	1
15	M0623	bearing	2
16	M0627	tooth-lifting axle	1
17	M0626	front shaft bushing	1
18	M0605	lifting tooth axle retaining ring	1
19	M0628	crank	1
20	M0631	pin shaft	1
21	M0632	E-shaped snap spring	1
22	M0625	back shaft bushing	1
23	GS13416	screw	3
24	M0630	nut	1
25	GS11406	screw	7
26	M0620	nut	2
27	GS13420	screw	2
28	GS13308	screw	2



		Description	
1	G0120	shaft bushing	1
2	GL204	nut	1
3	GK249	stitch seat fixed stand	1
4	GK246	stitch support	1
5	GK245	sliding block	1
6	GZ129	screw	1
7	GZ130	screw	1
8	GW210	spring	1
9	GW209	stitch screw sleeve levf	1
10	GK248	stitch spacing board	2
11	GKS105	stitch cover plate	1
12	GZ131	stitch spacing sleeve	1
13	GZ132	stitch regulation screw sleeve	1
14	GKS247	stitch handle ball	1
15	GS13416	screw	2
16	GS13320	screw	1
17	GS11425	screw	1

		Description	
1	GZS139	uplifting presser handle ball	1
2	GZ138	uplifting handle bar	1
3	M0805	shaft	1
4	GW211	uplifting handle axle jump ring	1
5	M0804	thread loosing sleeve	1
6	F0822	thread releasing plate (2)	1
7	GW217	uplifting presser spring	1
8	M0802	eccentric slice	1
9	M0312	block	1
10	GZ125	pressure regulated screw	1
11	M0314	nut	1
12	GW201	presser bar spring	1
13	M0310	setting block of pressing rod	1
14	M0307	pressing rod lower bushing	1
15	GK226	presser lifting locating slideway	1
16	M0309	presser bar	1
17	F0808	presser foot	1
18	GZ141	uplifting presser lever shaft	1
19	GW212	lever torsional sloring	1
20	GK264	uplifting presser lever	1
21	GD0911	lifting lever finger	1
22	GD0912	presser lifting bar	1
23	GS11410	screw	1
24	GS13210	screw	1
25	GS13325	screw	2
26	GS13320	screw	2
27	GS13216	screw	1
28	GS13420	screw	1



Description

1	GLS204	tension nut	3
2	GW115	thread tension spring	3
3	GK232	thread releasing plate	2
4	GK231	tension plate	4
5	GZ126	tension screw	2
6	GX106	loosen bolt	2
7	M0908	thread passing ring	1
8	M0910	thread tension rack	1
9	M0911	thread releasing plate	1
10	M0912	pin	1
11	GKS108	drawing stand	1
12	GKS107	thread passing seat	1
13	GC0814	thread take-up soring	1
14	M0922	thread take-up spring	1
15	M0925	tension screw	1
16	GK233	thread passing plate	2
17	GK234	washer	2
18	GP102	thread passing wheel	2
19	GL205	nut	2
20	GS13208	screw	1
21	GS13316	screw	2
22	M0913	nut	1
23	GS11206	screw	1