



GLOBAL

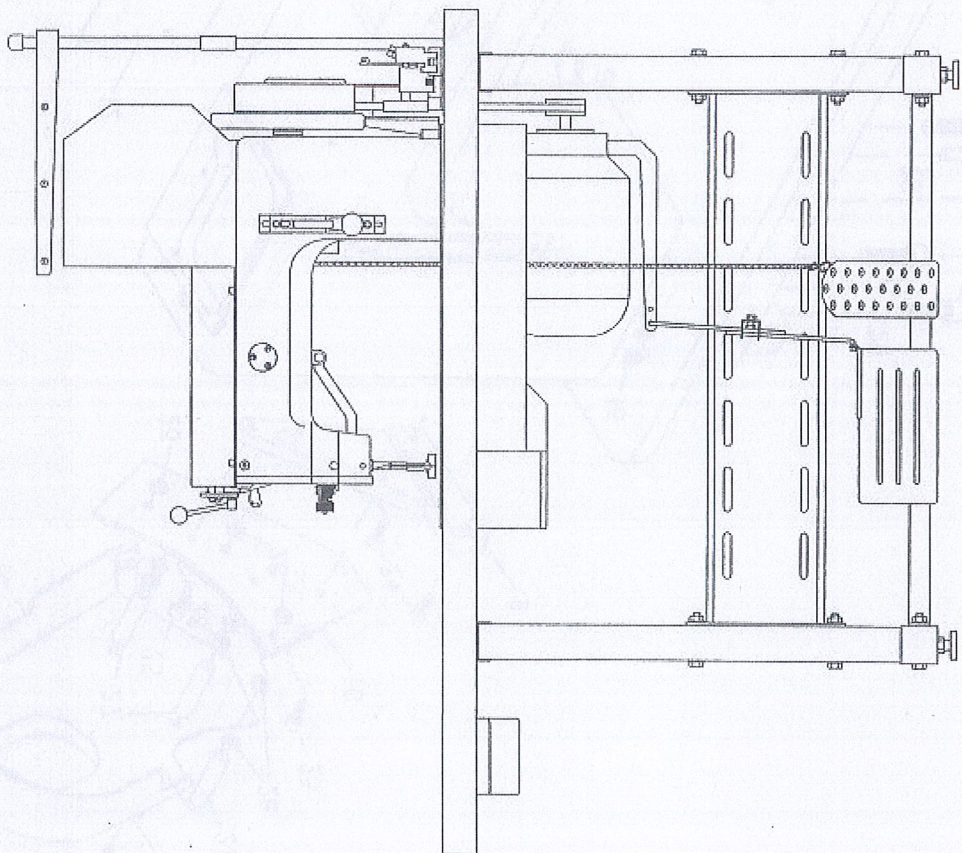
ZZ 1266-3S

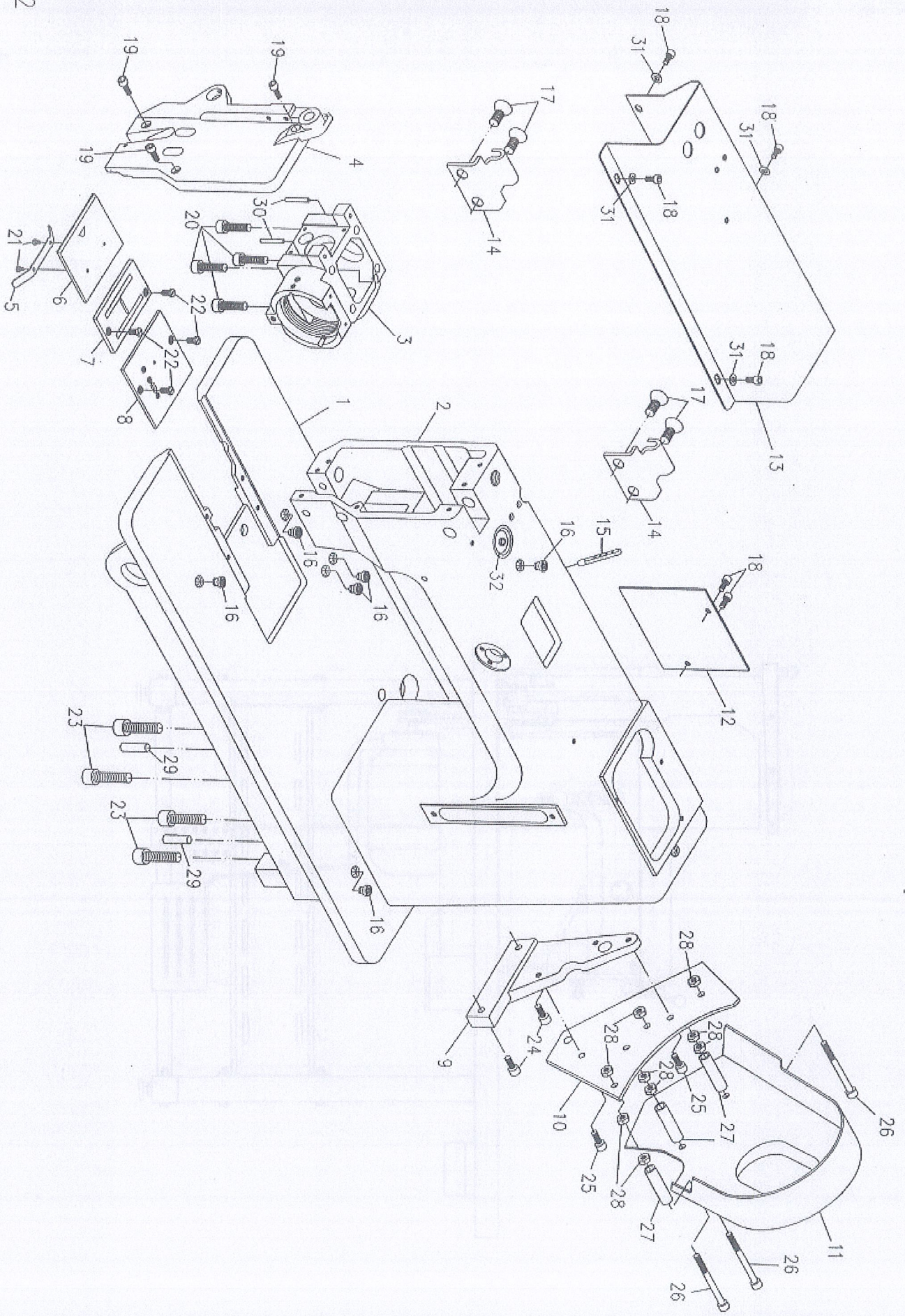
Cam Controlled Extra heavy duty, zig-zag
sewing machine.

Spare parts manual

www.globalsew.com

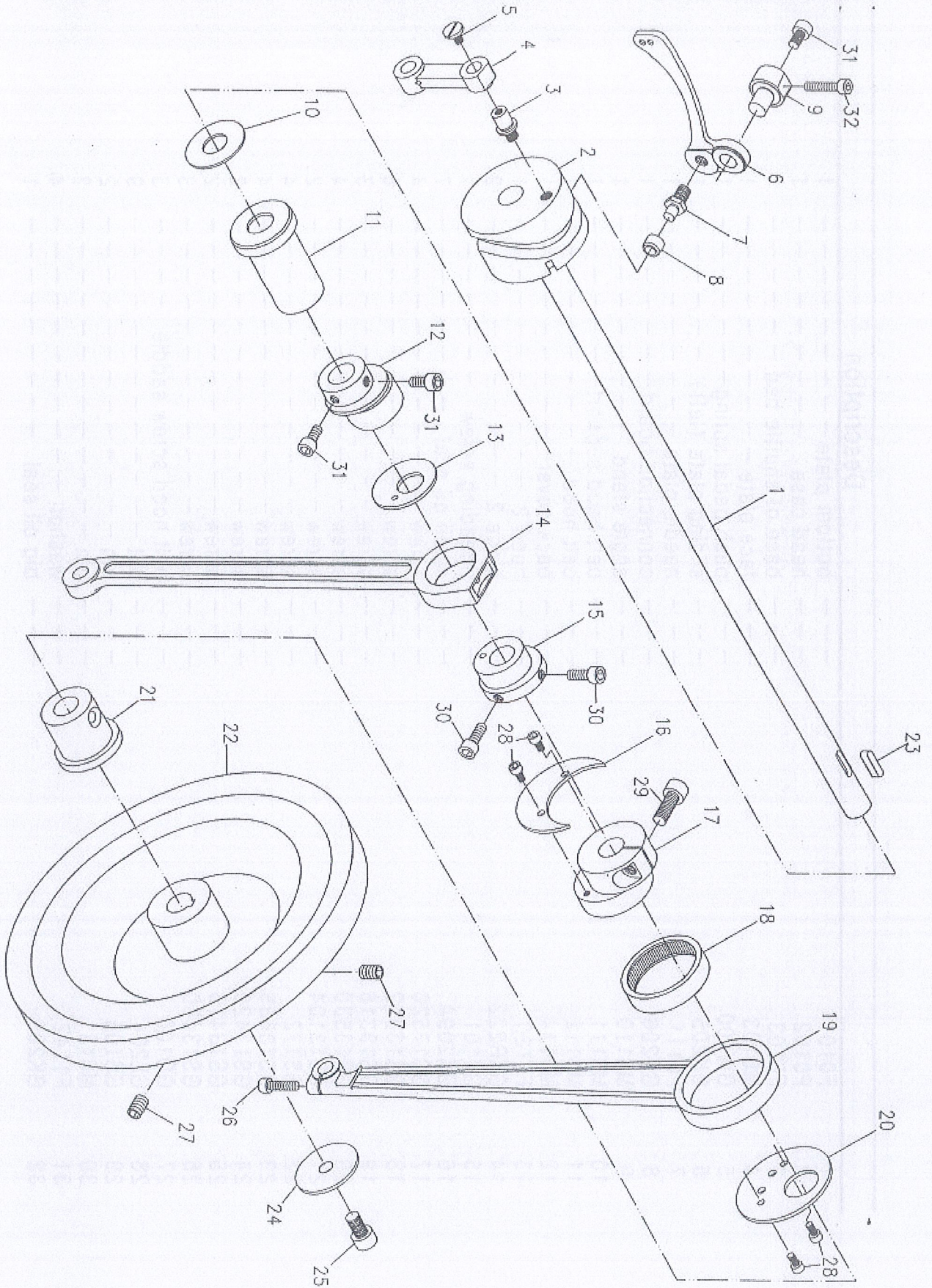
info@globalsew.com





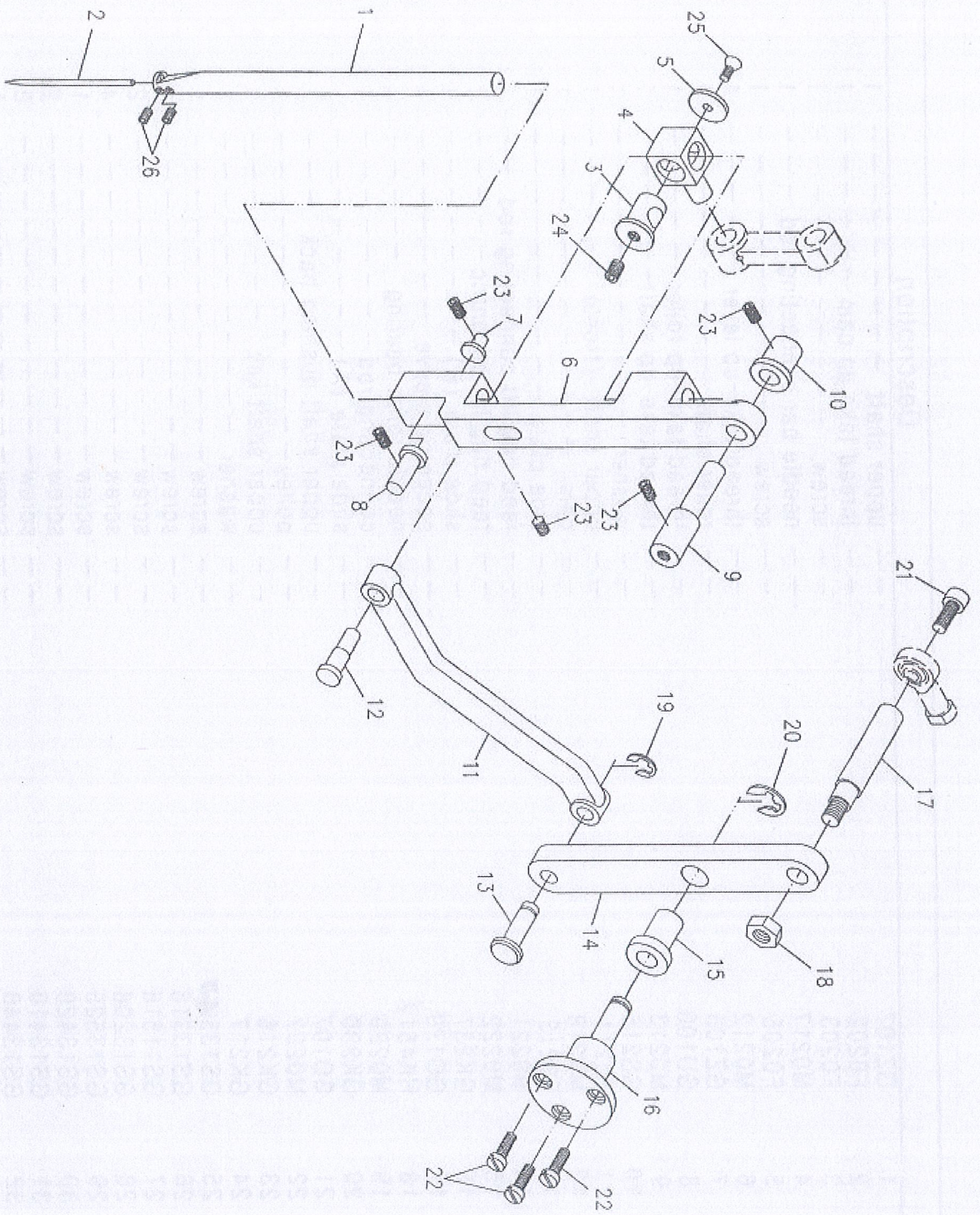
Description

| | | | |
|----|---------|------------------------|---|
| 1 | F0101 | bottom plate | 1 |
| 2 | F0102 | head case | 1 |
| 3 | F0103 | base of shuttle bed | 1 |
| 4 | M0103 | face plate | 1 |
| 5 | GW100 | push pedal spring | 1 |
| 6 | GK205 | sliding plate (left) | 1 |
| 7 | F0111 | needle plate | 1 |
| 8 | GK206 | connection board | 1 |
| 9 | M0110 | angle stand | 1 |
| 10 | M0111 | belt hood support | 1 |
| 11 | M0112 | belt hood | 1 |
| 12 | M0114 | back cover | 1 |
| 13 | F0120 | hood 2 | 1 |
| 14 | GXR222 | hinge 2 | 2 |
| 15 | GX101 | threading screw | 1 |
| 16 | GK209A | small oil scal | 7 |
| 17 | GS17520 | screw | 4 |
| 18 | GS13312 | screw | 6 |
| 19 | GS13316 | screw | 3 |
| 20 | GS13530 | screw | 4 |
| 21 | GS12104 | screw | 2 |
| 22 | GS172 | screw | 4 |
| 23 | GS13635 | screw | 4 |
| 24 | GS13420 | screw | 2 |
| 25 | GS13416 | screw | 2 |
| 26 | GS13480 | screw | 3 |
| 27 | GO100 | belt hood screw saddle | 3 |
| 28 | GL204 | nut | 9 |
| 29 | GS105 | pin | 2 |
| 30 | M0131 | pin | 2 |
| 31 | F1142 | washer | 4 |
| 32 | GK208 | big oil seal | 1 |



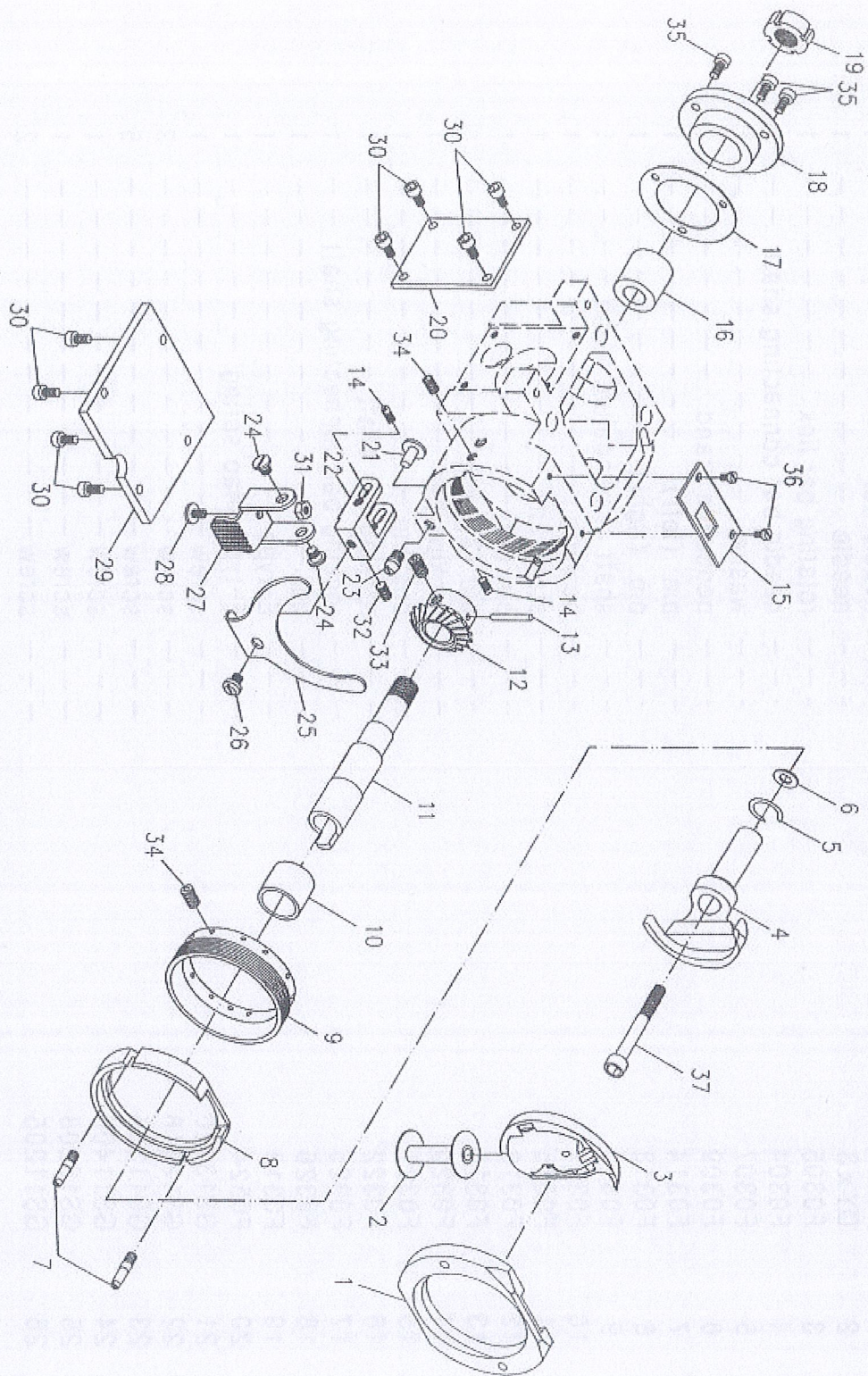
Description

| | | | |
|----|---------|------------------------------|---|
| 1 | GZ107 | upper shaft | 1 |
| 2 | F0202 | thread take up cam | 1 |
| 3 | F0203 | screw | 1 |
| 4 | M0217 | needle bar connecting rod | 1 |
| 5 | F0205 | screw | 1 |
| 6 | M0212 | thread take-up lever | 1 |
| 7 | GZ105 | roller shaft | 1 |
| 8 | GU100 | thread take-up roller | 1 |
| 9 | M0213 | thread take-up shaft | 1 |
| 10 | GS215 | washer | 1 |
| 11 | F0211 | upper shaft (front) | 1 |
| 12 | M0218 | cam | 1 |
| 13 | F0213 | slide plate | 1 |
| 14 | M0221 | feed dog lift connecting rod | 1 |
| 15 | M0222 | feed dog lift eccentric | 1 |
| 16 | GK237 | slide plate (B) | 1 |
| 17 | GO129 | eccentric sleeve | 1 |
| 18 | HK4512 | needle roller bearing | 1 |
| 19 | M0229 | connecting rod | 1 |
| 20 | GK236 | slide plate (A) | 1 |
| 21 | GO107 | upper shaft bushing back | 1 |
| 22 | M0207 | pulley | 1 |
| 23 | GK216 | upper shaft key | 1 |
| 24 | GK217 | washer | 1 |
| 25 | GS13540 | screw | 1 |
| 26 | GS13316 | screw | 1 |
| 27 | GS11516 | screw | 2 |
| 28 | GS13208 | screw | 4 |
| 29 | GS13525 | screw | 1 |
| 30 | GS13420 | screw | 2 |
| 31 | GS13410 | screw | 3 |
| 32 | GS13440 | screw | 1 |



Description

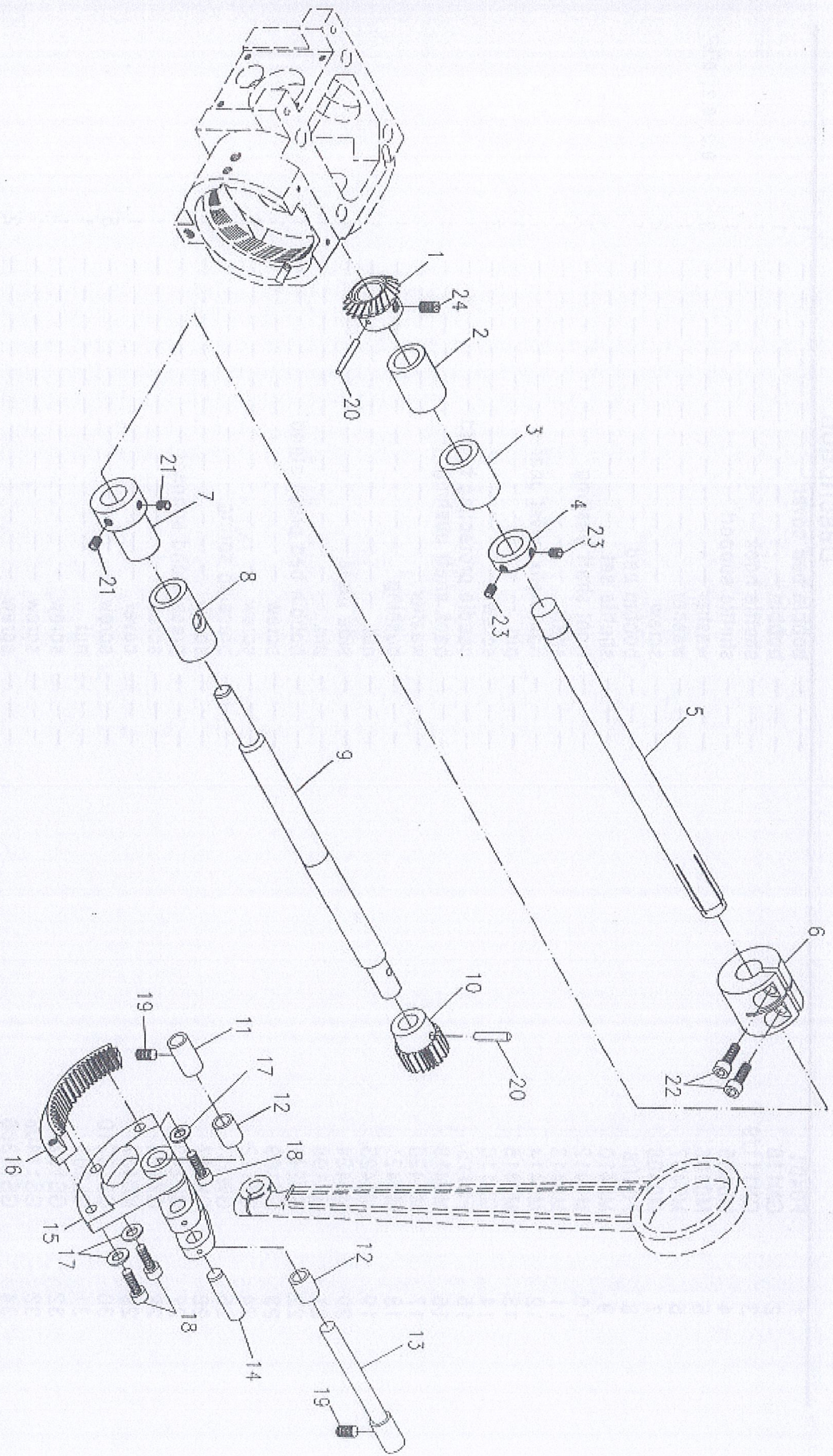
| | | | |
|----|---------|------------------------------|---|
| 1 | F0301 | needle bar | 1 |
| 2 | DYx3 | needle | 1 |
| 3 | F0305 | rotating bar link | 1 |
| 4 | F0304 | needle bar connecting shaft | 1 |
| 5 | F0307 | washer | 1 |
| 6 | F0309 | pendulum stand | 1 |
| 7 | F0314 | pin (left) | 1 |
| 8 | F0313 | pin (right) | 1 |
| 9 | F0310 | shaft of pendulum stand | 1 |
| 10 | F0311 | bushing | 1 |
| 11 | F0315 | stand link | 1 |
| 12 | F0316 | pin (1) | 1 |
| 13 | F0318 | pin (2) | 1 |
| 14 | F0320 | rocking bar | 1 |
| 15 | F0321 | bushing | 1 |
| 16 | F0322 | rocking bar shaft | 1 |
| 17 | F0325 | rocking bar connecting shaft | 1 |
| 18 | F0326 | nut | 1 |
| 19 | F0319 | E-type | 1 |
| 20 | F0324 | E-type snap spring | 1 |
| 21 | GS13420 | screw | 1 |
| 22 | GS12316 | screw | 3 |
| 23 | GS11305 | screw | 5 |
| 24 | GS11406 | screw | 1 |
| 25 | GS16208 | screw | 1 |
| 26 | GS11205 | screw | 2 |



Description

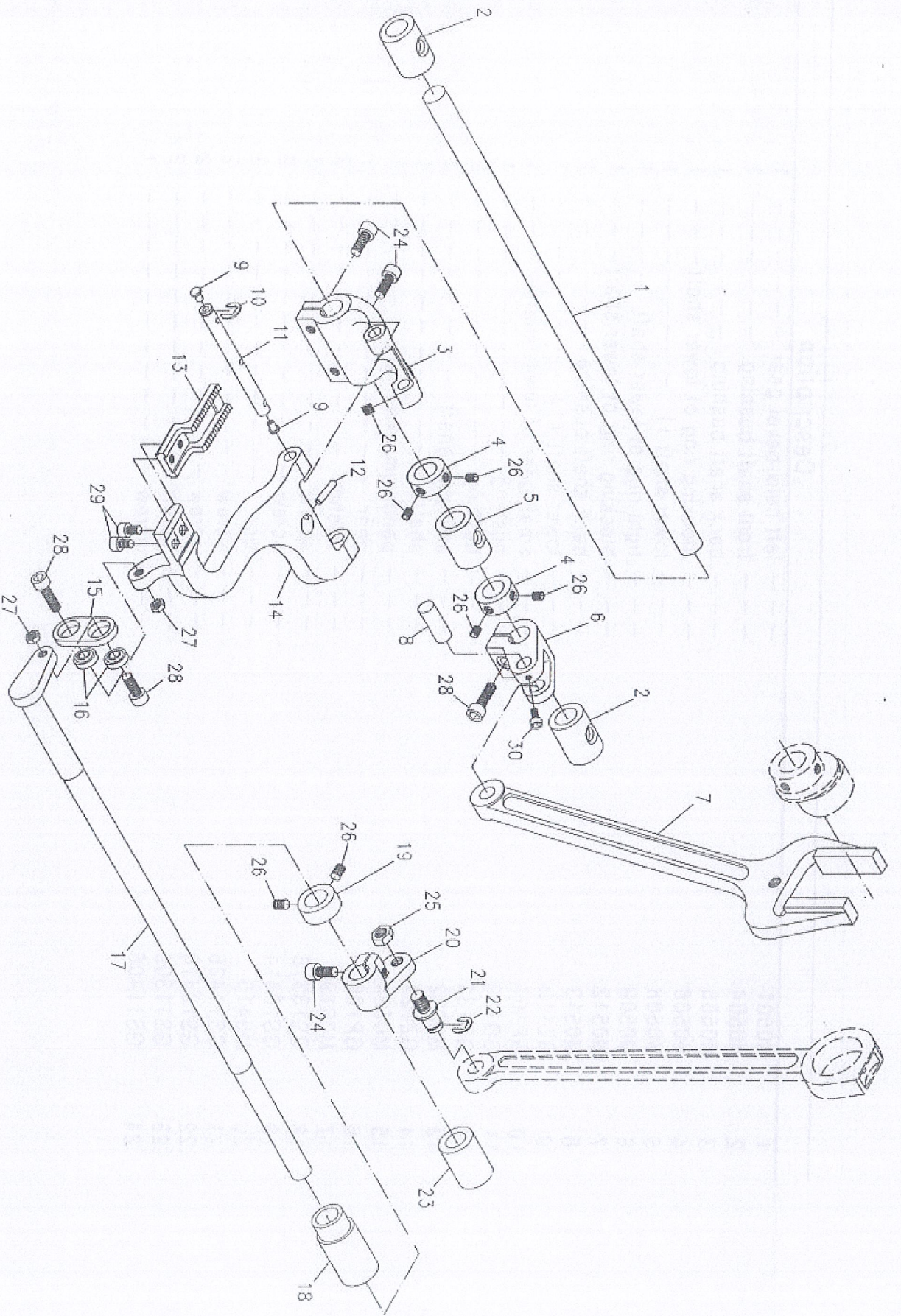
| | | | |
|----|---------|-------------------------|---|
| 1 | F0401 | bobbin bed cover | 1 |
| 2 | GN116 | bobbin | 1 |
| 3 | GN111/9 | shuttle hook | 1 |
| 4 | M0405 | shuttle support | 1 |
| 5 | M0406 | washer | 3 |
| 6 | M0407 | washer | 1 |
| 7 | M0408 | screw | 2 |
| 8 | F0408 | bobbin bed | 1 |
| 9 | M0410 | shuttle set | 1 |
| 10 | M0412 | front shaft bushing | 1 |
| 11 | M0413 | shaft | 1 |
| 12 | M0414 | right helix bevel gear | 1 |
| 13 | M0415 | pin | 1 |
| 14 | GX110 | screw | 2 |
| 15 | F0415 | needle protecting board | 1 |
| 16 | M0419 | back shaft bushing | 1 |
| 17 | M0420 | washer | 1 |
| 18 | M0421 | bushing | 1 |
| 19 | M0423 | nut | 1 |
| 20 | M0424 | side plate | 1 |
| 21 | GX108 | pin | 1 |
| 22 | GK241 | bobbin bed press stand | 1 |
| 23 | GX109 | screw | 1 |
| 24 | GX112 | screw | 2 |
| 25 | GW111 | pressing spring | 1 |
| 26 | GX117 | screw | 1 |
| 27 | GK243 | press stand spanner | 1 |
| 28 | GX113 | screw | 1 |
| 29 | M0437 | cover | 1 |
| 30 | GS13210 | screw | 8 |
| 31 | GL203 | nut | 1 |
| 32 | GS102 | screw | 1 |
| 33 | GS11406 | screw | 1 |
| 34 | GS11306 | screw | 1 |
| 35 | GS13216 | screw | 2 |
| 36 | GS12104 | screw | 3 |
| 37 | GS13460 | screw | 2 |
| | | screw | 1 |

0.2, 0.3, 0.5



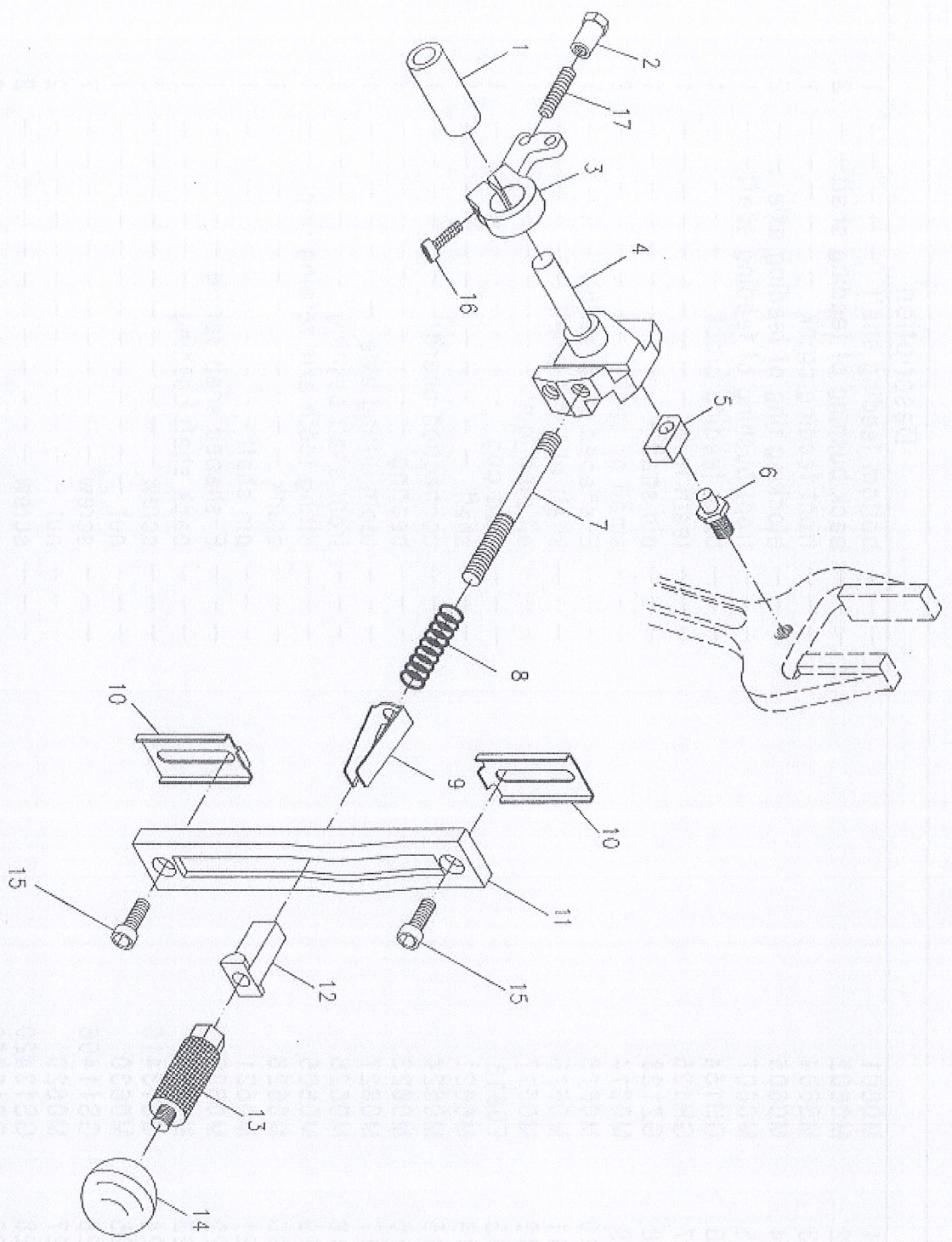
Description

| | | | |
|----|---------|------------------------------|---|
| 1 | M0501 | left helix bevel gear | 1 |
| 2 | M0504 | front shaft bushing | 1 |
| 3 | M0505 | back shaft bushing | 1 |
| 4 | M0506 | blocking ring of lower shaft | 1 |
| 5 | M0508 | lower shaft II | 1 |
| 6 | M0509 | tight ring of lower shaft | 1 |
| 7 | M0512 | blocking ring of lower shaft | 1 |
| 8 | M0513 | back shaft bushing | 1 |
| 9 | GZ112 | lower shaft (1) | 1 |
| 10 | GP107 | small gear of lower shaft | 1 |
| 11 | GO130 | bushing | 1 |
| 12 | GO132 | bushing | 2 |
| 13 | M0522 | swinging shaft | 1 |
| 14 | GZ128 | shaft | 1 |
| 15 | M0524 | pendulum axle stand | 1 |
| 16 | GP106 | gear | 1 |
| 17 | M0519 | washer | 3 |
| 18 | GS13318 | screw | 3 |
| 19 | GS10414 | screw | 2 |
| 20 | M0415 | pin | 2 |
| 21 | GS11406 | screw | 2 |
| 22 | GS13416 | screw | 2 |
| 23 | GS11306 | screw | 2 |
| 24 | GS11406 | screw | 1 |



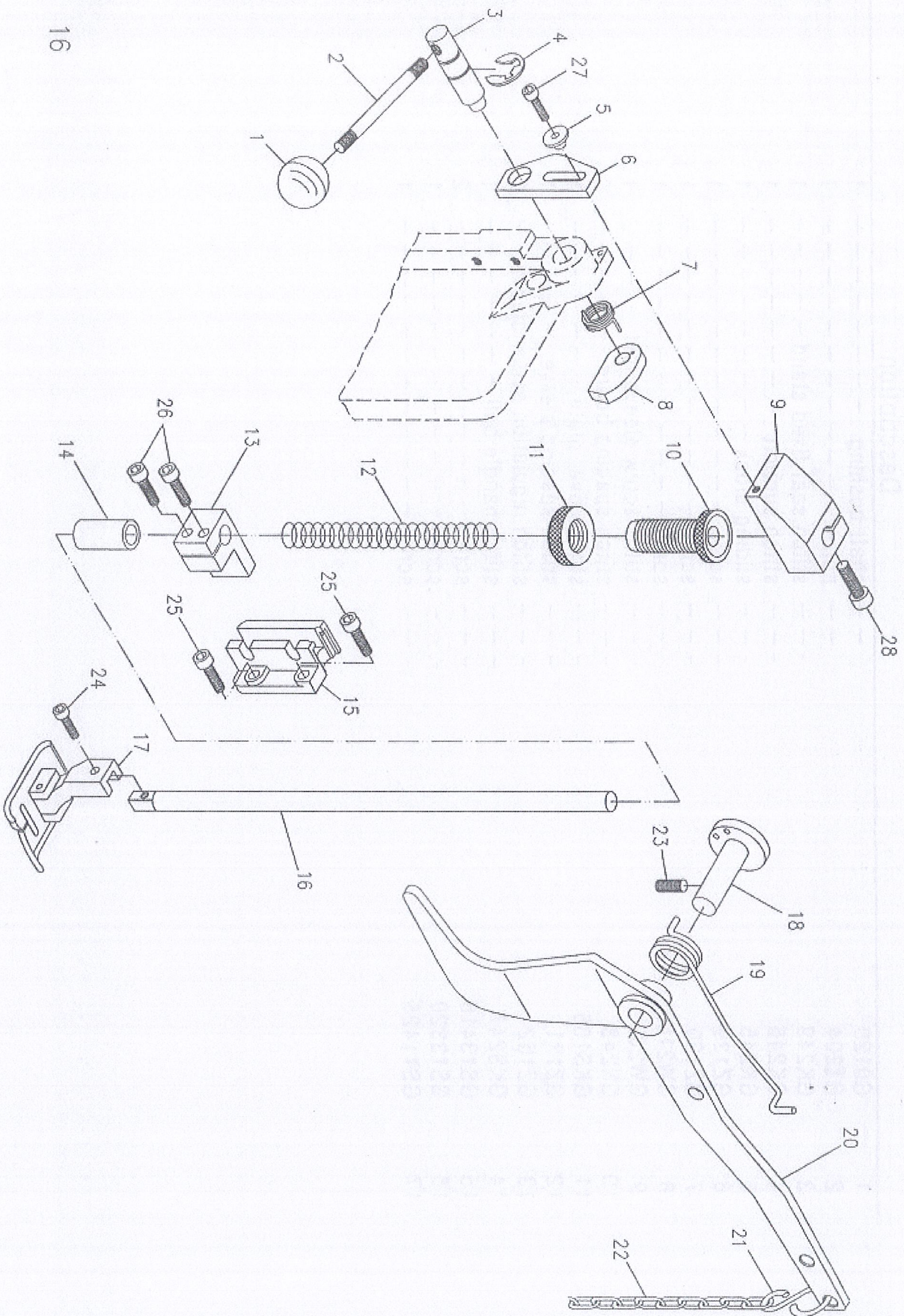
Description

| | | | |
|----|---------|-----------------------------------|---|
| 1 | M0601 | bottom feeding shaft | 1 |
| 2 | M0602 | back bushing of feeding shaft | 2 |
| 3 | M0604 | front feeding cronk | 1 |
| 4 | M0605 | blocking ring of feeding axle | 2 |
| 5 | M0607 | front bushing of feeding shaft | 1 |
| 6 | GH154 | back feeding crock | 1 |
| 7 | GH125 | teeth fork | 1 |
| 8 | GZ128 | pin shaft | 1 |
| 9 | M0614 | small oil seal | 2 |
| 10 | M0615 | E-shaped snap spring | 1 |
| 11 | M0616 | shaft of tooth-shelf | 1 |
| 12 | M0617 | oil pipe joint | 1 |
| 13 | F0618 | feed dog | 1 |
| 14 | M0621 | shelf | 1 |
| 15 | M0624 | connection board | 1 |
| 16 | M0623 | bearing | 2 |
| 17 | M0627 | tooth-lifting axle | 1 |
| 18 | M0626 | front shaft bushing | 1 |
| 19 | M0605 | lifting tooth axle retaining ring | 1 |
| 20 | M0628 | crank | 1 |
| 21 | M0631 | pin shaft | 1 |
| 22 | M0632 | E-shaped snap spring | 1 |
| 23 | M0625 | back shaft bushing | 1 |
| 24 | GS13416 | screw | 3 |
| 25 | M0630 | nut | 1 |
| 26 | GS11406 | screw | 7 |
| 27 | M0620 | nut | 2 |
| 28 | GS13420 | screw | 2 |
| 29 | GS13308 | screw | 2 |
| 30 | GS11204 | screw | 1 |



Description

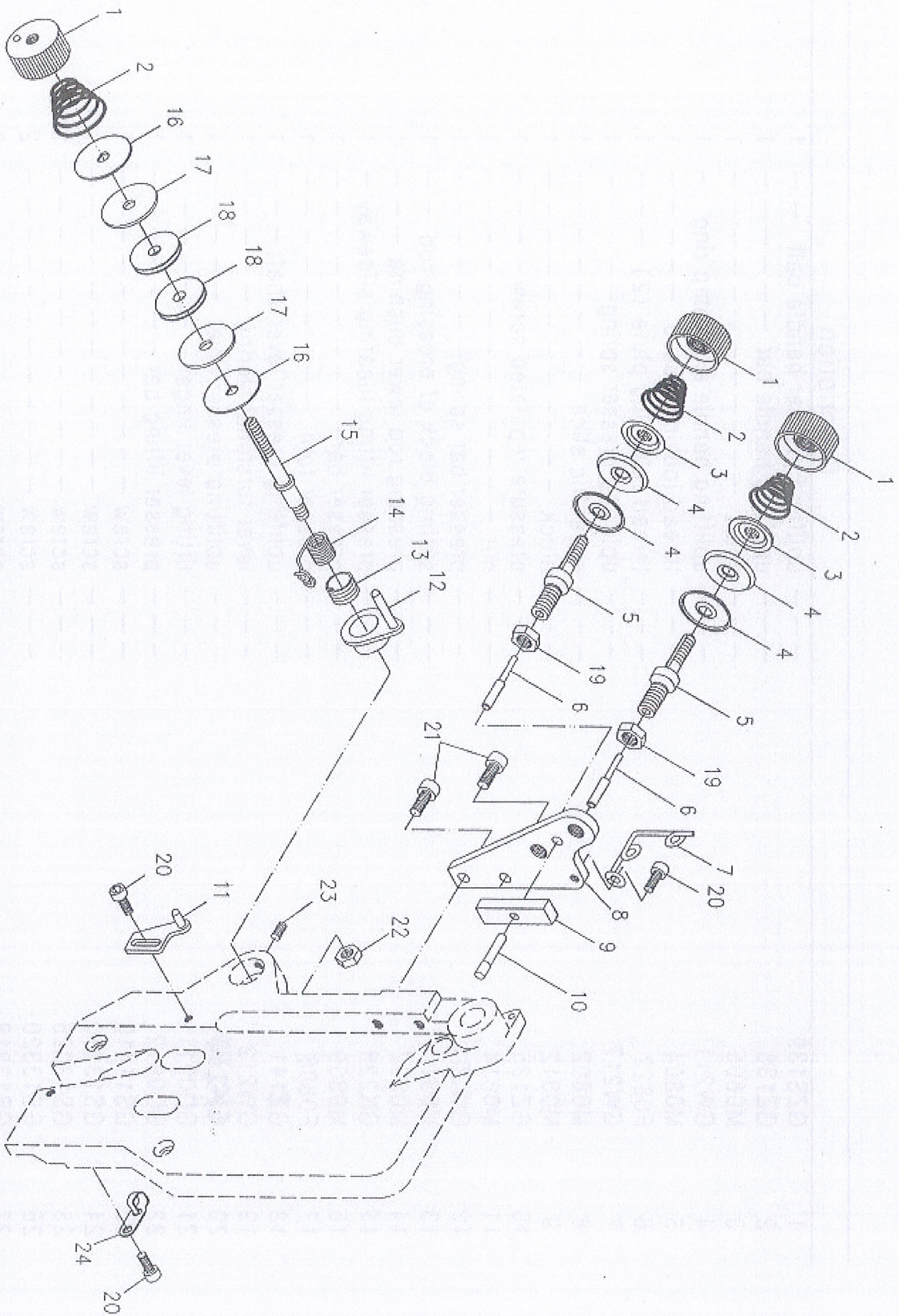
| | | | |
|----|---------|--------------------------------|---|
| 1 | G0120 | shaft bushing | 1 |
| 2 | G1204 | nut | 1 |
| 3 | GK249 | stitch seat fixed stand | 1 |
| 4 | GK246 | stitch support | 1 |
| 5 | GK245 | sliding block | 1 |
| 6 | GZ129 | screw | 1 |
| 7 | GZ130 | screw | 1 |
| 8 | GW210 | spring | 1 |
| 9 | GW209 | stitch screw sleeve levf | 1 |
| 10 | GK248 | stitch spacing board | 2 |
| 11 | GKS105 | stitch cover plate | 1 |
| 12 | GZ131 | stitch spacing sleeve | 1 |
| 13 | GZ132 | stitch regulation screw sleeve | 1 |
| 14 | GKS247 | stitch handle ball | 1 |
| 15 | GS13416 | screw | 2 |
| 16 | GS13320 | screw | 1 |
| 17 | GS11425 | screw | 1 |



16

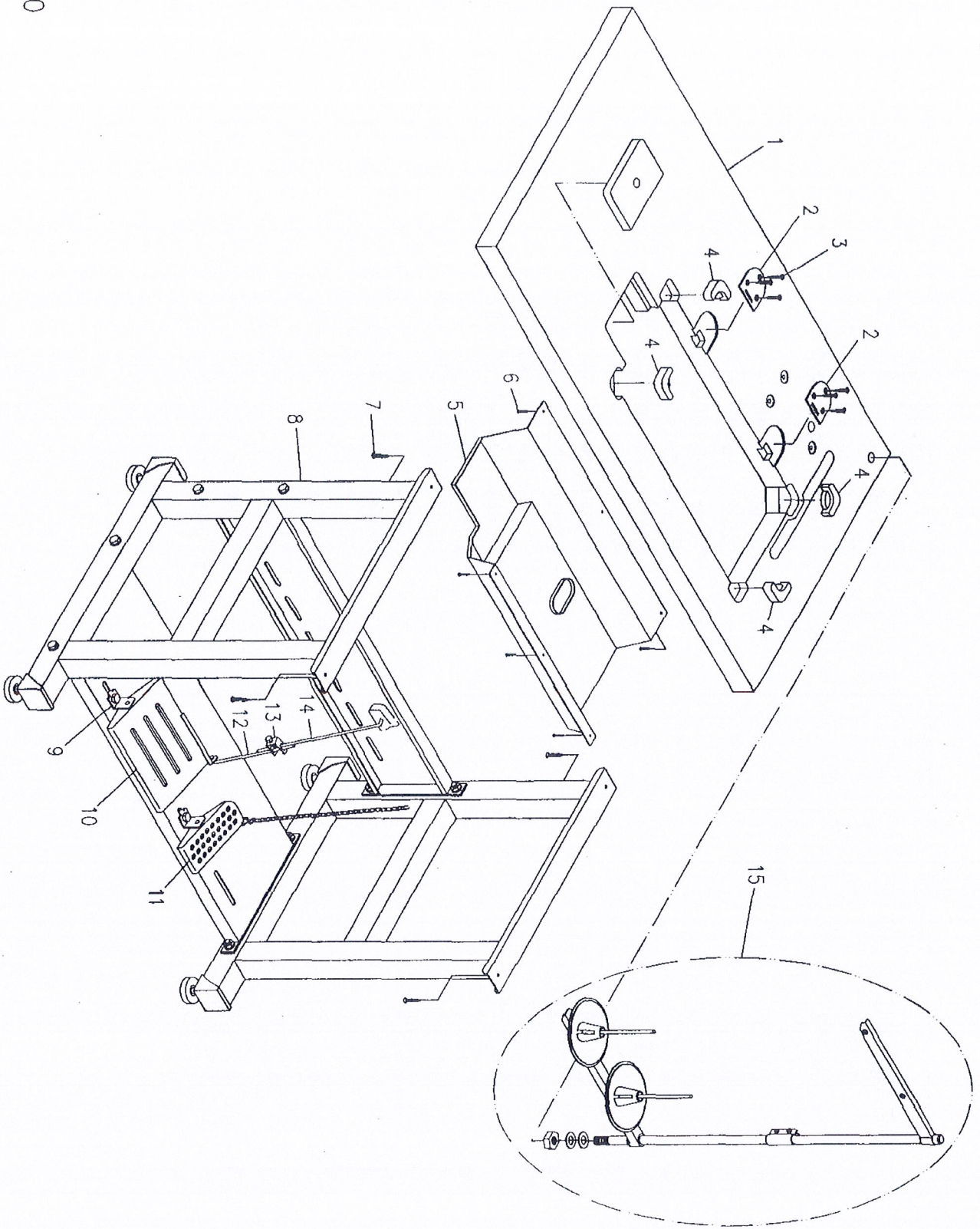
Description

| | | | |
|----|------------------|-----------------------------------|---|
| 1 | GZS139 | uplifting presser handle ball | 1 |
| 2 | GZ138 | uplifting handle bar | 1 |
| 3 | M0805 | shaft | 1 |
| 4 | GW211 | uplifting handle axle jump ring | 1 |
| 5 | M0804 | thread loosening sleeve | 1 |
| 6 | F0822 | thread releasing plate (2) | 1 |
| 7 | GW217 | uplifting presser spring | 1 |
| 8 | M0802 | eccentric slice | 1 |
| 9 | M0312 | block | 1 |
| 10 | GZ125 | pressure regulated screw | 1 |
| 11 | M0314 | nut | 1 |
| 12 | GW201 | presser bar spring | 1 |
| 13 | M0310 | setting block of pressing rod | 1 |
| 14 | M0307 | pressing rod lower bushing | 1 |
| 15 | GK226 | presser lifting locating slideway | 1 |
| 16 | M0309 | presser bar | 1 |
| 17 | F0808 | presser foot | 1 |
| 18 | GZ141 | uplifting presser lever shaft | 1 |
| 19 | GW212 | lever torsional sloring | 1 |
| 20 | GK254 | uplifting presser lever | 1 |
| 21 | GD0911 | lifting lever finger | 1 |
| 22 | GD0912 | presser lifting bar | 1 |
| 23 | GS11410 | screw | 1 |
| 24 | GS13210 | screw | 1 |
| 25 | GS13325 | screw | 2 |
| 26 | GS13320 | screw | 2 |
| 27 | GS13216 | screw | 1 |
| 28 | GS13420 | screw | 1 |



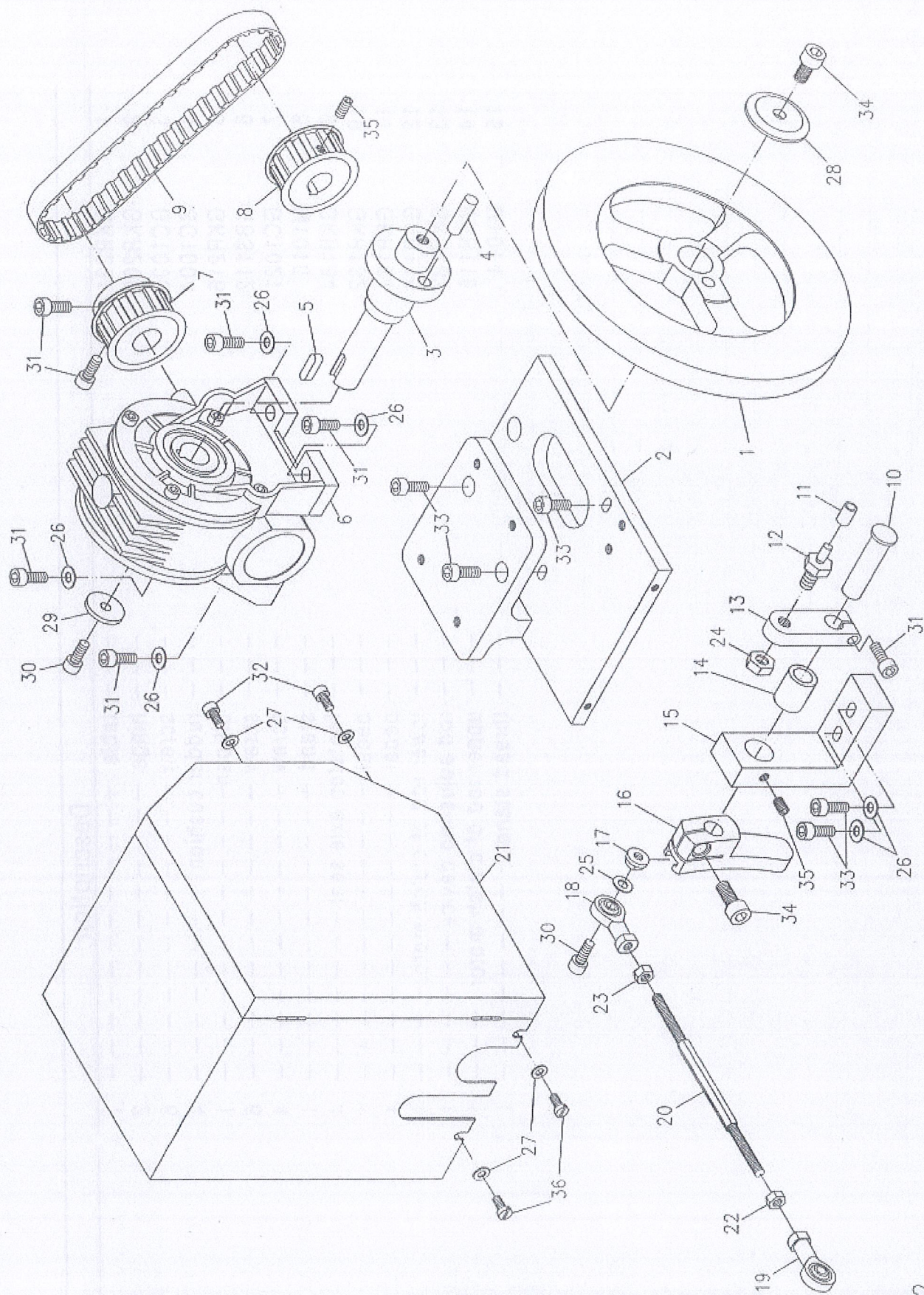
Description

| | | | | |
|----|---------|--------------------------------|-----|---|
| 1 | GLS204 | --- tension nut --- | --- | 3 |
| 2 | GW115 | --- thread tension spring --- | --- | 3 |
| 3 | GK232 | --- thread releasing plate --- | --- | 2 |
| 4 | GK231 | --- tension plate --- | --- | 4 |
| 5 | GZ126 | --- tension screw --- | --- | 2 |
| 6 | GX106 | --- loosen bolt --- | --- | 2 |
| 7 | M0908 | --- thread passing ring --- | --- | 1 |
| 8 | M0910 | --- thread tension rack --- | --- | 1 |
| 9 | M0911 | --- thread releasing plate --- | --- | 1 |
| 10 | M0912 | --- pin --- | --- | 1 |
| 11 | GKS108 | --- drawing stand --- | --- | 1 |
| 12 | GKS107 | --- thread passing sead --- | --- | 1 |
| 13 | GC0814 | --- thread take-up soring --- | --- | 1 |
| 14 | GC0818 | --- thread take-up spring --- | --- | 1 |
| 15 | M0925 | --- tension screw --- | --- | 1 |
| 16 | GK233 | --- thread passing plate --- | --- | 2 |
| 17 | GK234 | --- washer --- | --- | 2 |
| 18 | GP102 | --- thread passing wheel --- | --- | 2 |
| 19 | GL205 | --- nut --- | --- | 2 |
| 20 | GS13208 | --- screw --- | --- | 2 |
| 21 | GS13316 | --- screw --- | --- | 2 |
| 22 | M0913 | --- nut --- | --- | 1 |
| 23 | GS11206 | --- screw --- | --- | 1 |
| 24 | GC0819 | --- finger --- | --- | 1 |



Description

| | | | |
|----|--------|---------------------------|---|
| 1 | GKR221 | table | 1 |
| 2 | GKR200 | hinge | 2 |
| 3 | GC1005 | screw | 6 |
| 4 | GC1004 | rudder cushion | 4 |
| 5 | GKR216 | oil pan | 1 |
| 6 | GBS112 | screw | 6 |
| 7 | GC1021 | screw | 4 |
| 8 | M1010 | stand | 1 |
| 9 | GKR184 | footstep axle seat | 4 |
| 10 | GKR182 | pedal | 1 |
| 11 | GKR111 | pedal | 1 |
| 12 | GKR116 | lower rod of clutch motor | 1 |
| 13 | GKR183 | rod adjusting device | 1 |
| 14 | GKR118 | upper rod of clutch motor | 1 |
| 15 | M1014 | thread stand | 1 |



Description

| | | | |
|----|---------|----------------------|---|
| 1 | F1101 | cam | 3 |
| 2 | F1102 | cam bracket | 1 |
| 3 | F1106 | shaft | 1 |
| 4 | F1107 | pin | 1 |
| 5 | F1109 | shaft key | 1 |
| 6 | F1108 | speed reducer | 1 |
| 7 | F1114 | wheel | 1 |
| 8 | F1116 | wheel | 1 |
| 9 | F1118 | teeth belt | 1 |
| 10 | F1134 | shaft | 1 |
| 11 | F1133 | roller | 1 |
| 12 | F1131 | screw | 1 |
| 13 | F1130 | rocker | 1 |
| 14 | F1129 | bushing | 1 |
| 15 | F1128 | T-bar | 1 |
| 16 | F1126 | synchro rocker | 1 |
| 17 | F1125 | synchro rocker slide | 1 |
| 18 | F1122 | bear (right) | 1 |
| 19 | F1121 | bear (left) | 1 |
| 20 | F1120 | screw rod | 1 |
| 21 | F1119 | hood | 1 |
| 22 | F1123 | nut | 1 |
| 23 | F1124 | nut | 1 |
| 24 | F1132 | nut | 1 |
| 25 | F1127 | washer | 1 |
| 26 | F1111 | washer | 6 |
| 27 | F1142 | washer | 4 |
| 28 | F1105 | washer | 1 |
| 29 | F1113 | washer | 1 |
| 30 | GS13416 | screw | 2 |
| 31 | GS13420 | screw | 5 |
| 32 | GS12412 | screw | 2 |
| 33 | GS13425 | screw | 5 |
| 34 | GS13520 | screw | 2 |
| 35 | GS11406 | screw | 2 |
| 36 | GS172 | screw | 2 |

