



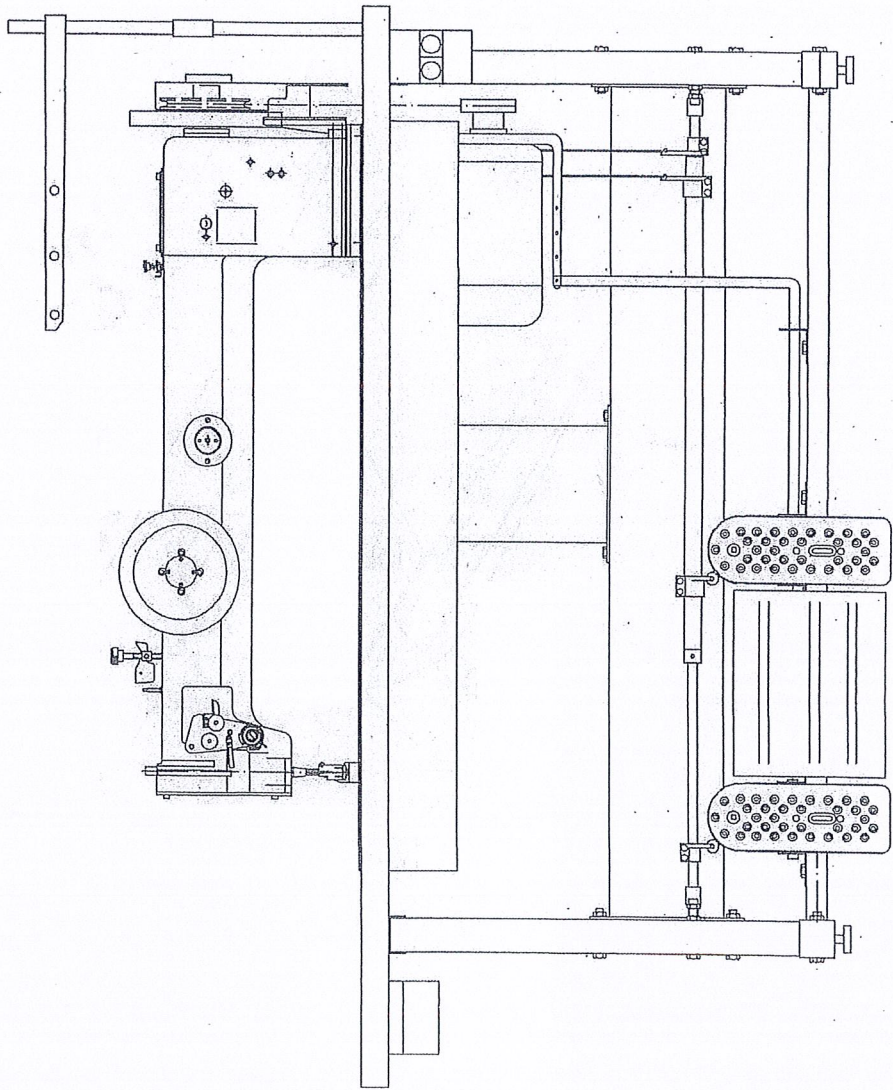
GLOBAL

WF 9221-76 SERIES

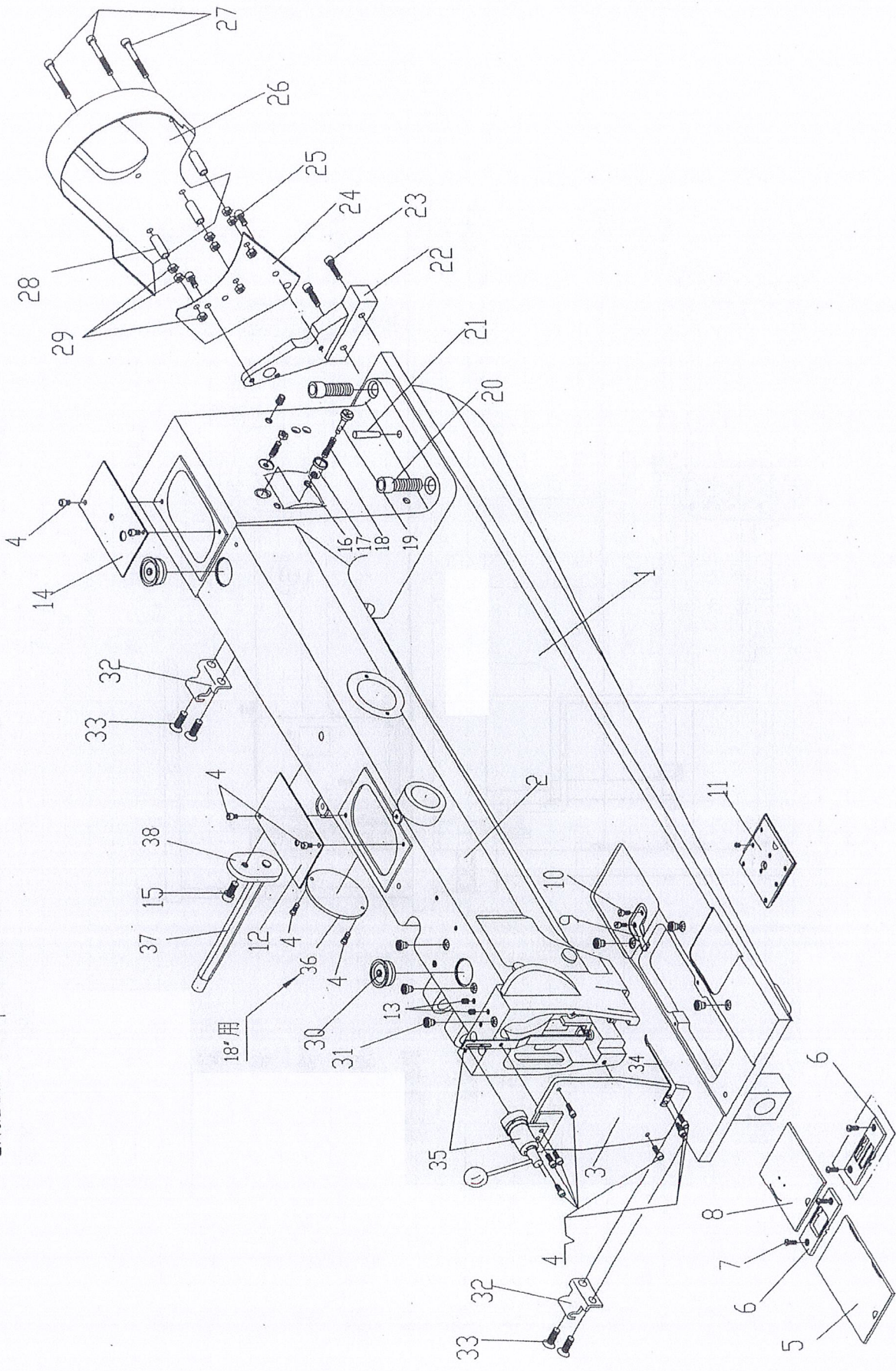
Parts Manual

www.globalsew.com

info@globalsew.com



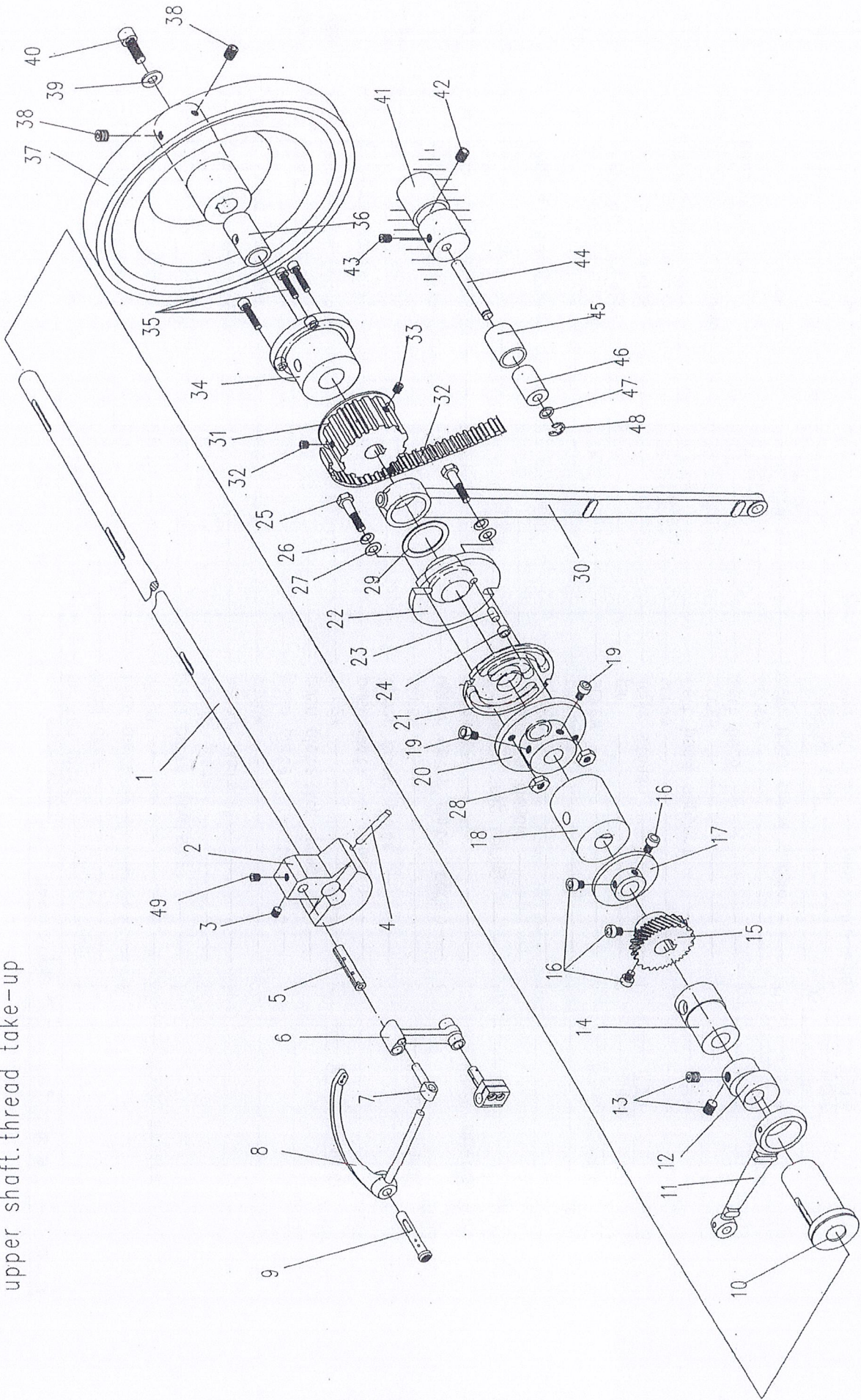
chassis components



— chassis components

		Description	
1	EL0101	bottom plate	1
2	EL0102	head case	1
3	EL0103	face plate	1
4	GS13312	screw	13 — M5x12
5	EL0105	push plate (outside)	1
6	EL0106	needle plate	1
6	EL0106A	needle plate	1
7	EL0107	screw	2
8	EL0108	push plate (inside)	1
9	EL0109	push plate stop spring	1
10	GS13212	screw	2 — M4x12
11	EL0111	push plate (front)	1
12	EL0112	upper cover plate	1
13	GS11410	screw	2 — M6x10
14	EL0114	upper cover plate (back)	1
15	GS13520	screw	1 — M8x20
16	E-04	E-shaped snap spring	1 — $\phi 4$
17	EL0117	regulation thimble	1
18	EL0118	spring	1
19	EL0119	pin shaft	1
20	GS13740	screw	4 — M12x40
21	GS105	pin	2 — $\phi 8$
22	M0110	angle stand	1
23	GS13416	screw	2
24	M0111	belt hood support	1
25	GS13416	screw	2
26	M0112	belt hood	1
27	GS13460	screw	3 — M6x60
28	G0100	belt hood screw saddle	3
29	GL204	nut	9 — M6
30	GK208	large oil scal	2
31	GK209A	small oil scal	6
32	GXR222	hinge2	2
33	GS17520	screw	4
34	EL0134	finger controller thread (lower)	1
35	EL0135	hand uplifting presser assembly	1
36	EL0136 (18")	friction wheel window cover plate	1
37	EL0137	support bar	1
38	EL0138	support bar connecting plate	1

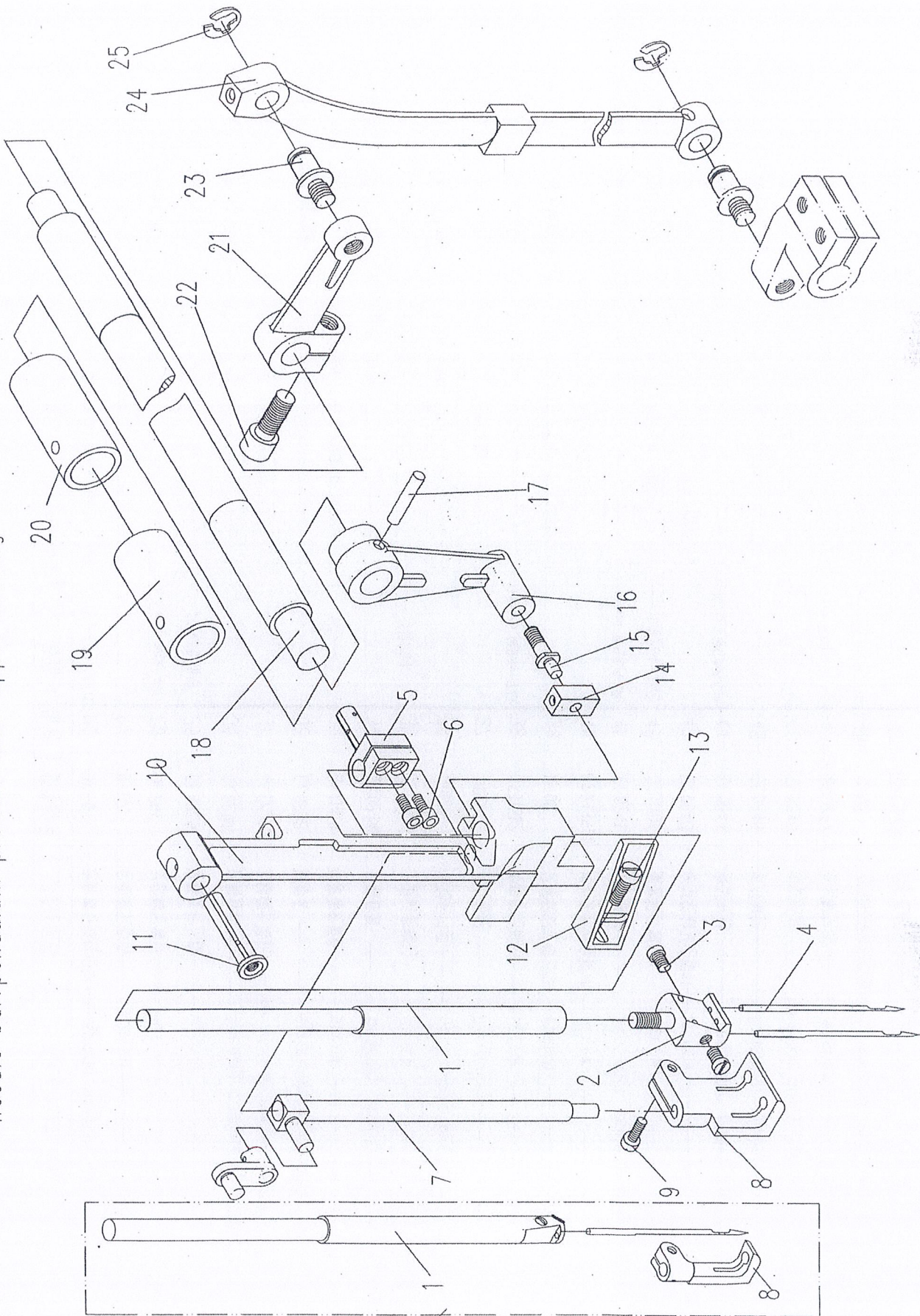
upper shaft.thread take-up



upper shaft.thread take-up

	Description		Description		
1	EL0201	1	upper shaft	26	DR-07 spring washer 2 — $\phi 7$
2	EL0202	1	needle bar crank	27	D-07 washer 2 — $\phi 7$
3	GSX11406	1 — M6x0.75x6	screw	28	GL204 nut 2 — 15/64x28
4	GX107	1 — $\phi 5x40$	pin	29	EL0229 washer 1
5	EL0205	1	pin shaft	30	EL0230 feeding connecting rod 1
6	EL0206	1	needle bar small connecting rod	31	EL0231 upper shaft synchronization belt pulley 1
7	EL0207	1	swing shaft	32	EL0232 synchronization belt 1
8	EL0208	1	thread take-up lever	33	GS11410 screw 2 — M6x10
9	EL0209	1	pin shaft	34	EL0234 bushing (back) 1
10	G0109	1 — 204	bushing (front)	35	GS13320 screw 3 — M5x20
11	EL0211	1	lifting pressing foot connecting rod	36	G0124 back insite bushing 1
12	EL0212	1	eccentric wheel	37	M0207 big pulley 1
13	GSX11508	2 — M6x1x8	screw	38	GS11512 screw 1 — M8x12
14	EL0214	1	center bushing (front)	39	D-08 washer 1
15	EL0215	1	driven large pinion	40	GSX13520 screw 1 — M8x1x20
16	GS13410	2 — M6x10	screw	41	EL0241 tensioner pulley seat 1
17	GPI12	1 — 204-762	driving friction wheel	42	GS11516 screw 1 — M8x16
18	EL0218	1	center bushing (Back)	43	EL0243 screw 1 — 1/4x40
19	GS13414	2 — M6x14	screw	44	EL0244 tensioner pulley shaft 1
20	EL0220	1	feeding cam locating seat	45	EL0245 tensioner pulley 1
21	EL0221	1	feeding cam locating dist	46	EL0246 tensioner pulley outside set 1
22	EL0222	1	feeding cam	47	EL0247 washer 1
23	EL0223	1	feeding cam locating shaft	48	E-07 E-shaped snap spring 1 — $\phi 7$
24	EL0224	1	positioning thimble	49	GSX10404 screw 1 — M6x0.75x4
25	EL0225	2	screw		

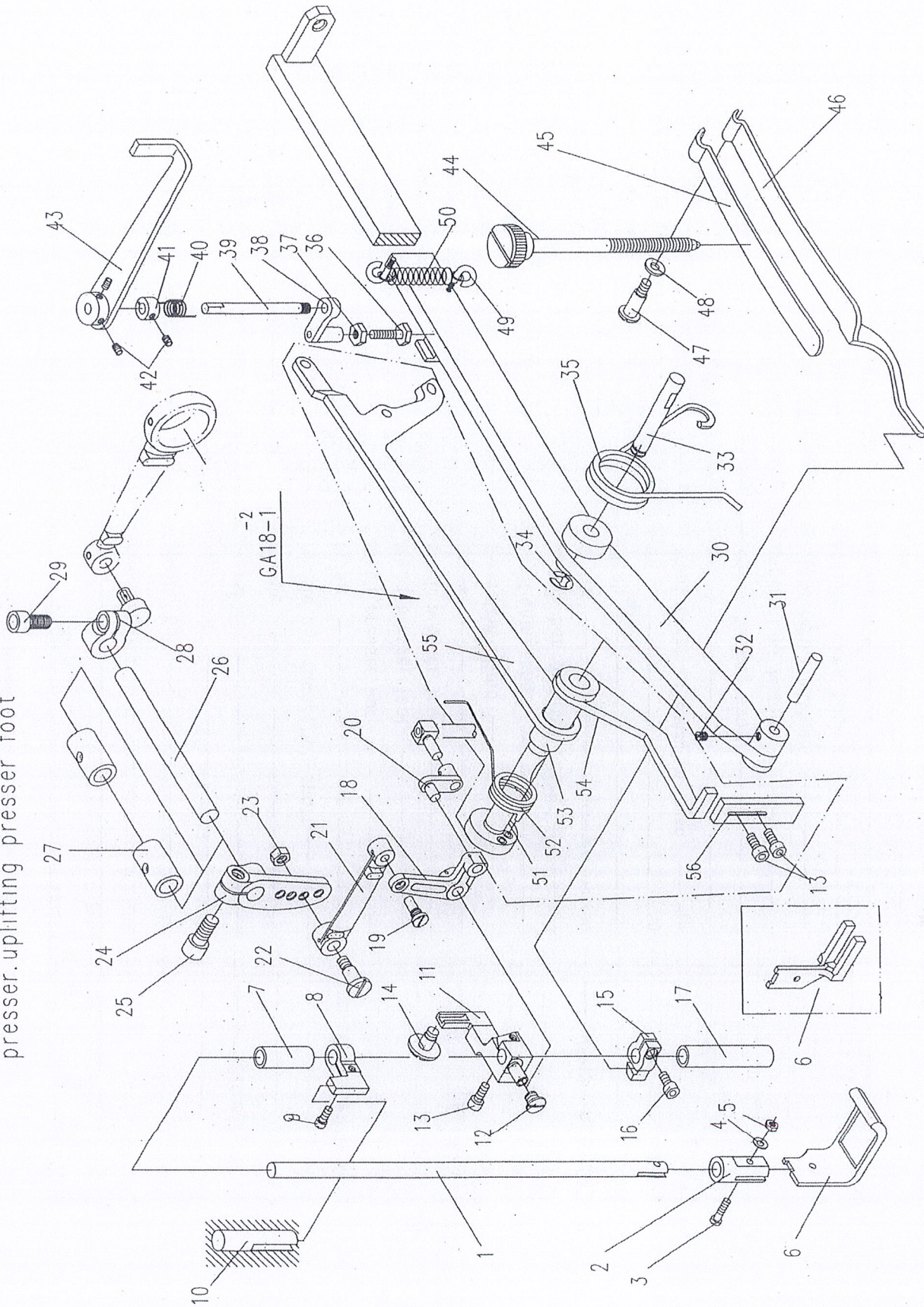
needle bar.pendulum presser foot upper feeding



needle bar.pendulum presser foot.upper feeding

	Description	
1	EL0301	needle bar 1
1	EL0301A	needle bar 1
2	EL0302	needle clip 1
3	EL0303	screw 2 3/16x32
4	DY23	needle 2
5	EL0305	needle bar connecting shaft 1
6	GS13208	screw 2 M4x8
7	EL0307	small presser bar 1
8	EL0308	small presser foot 1
8	EL0308A	small presser foot 1
9	EL0309	screw 1 -11/64x40
10	EL0310	pendulum stand 1
11	EL0311	positioning shaft 1
12	EL0312	needle bar oriented board 1
13	GS12312	screw 1 M5x12
14	EL0314	block 1
15	EL0315	pin 1
16	EL0316	front crank of pendulum stand 1
17	X-0522	pin 1 Ø5x22
18	EL0318	upper feeding shaft 1
19	EL0319	upper front bushing 1
20	EL0320	upper back bushing 1
21	EL0321	pendulum stand back crank 1
22	GS13518	screw 1 M8x18
23	EL0323	pin 1
24	EL0324	upper feeding big connecting rod 1
25	E-08	E-shaped snap spring 1 (Ø8)

presser. uplifting presser foot



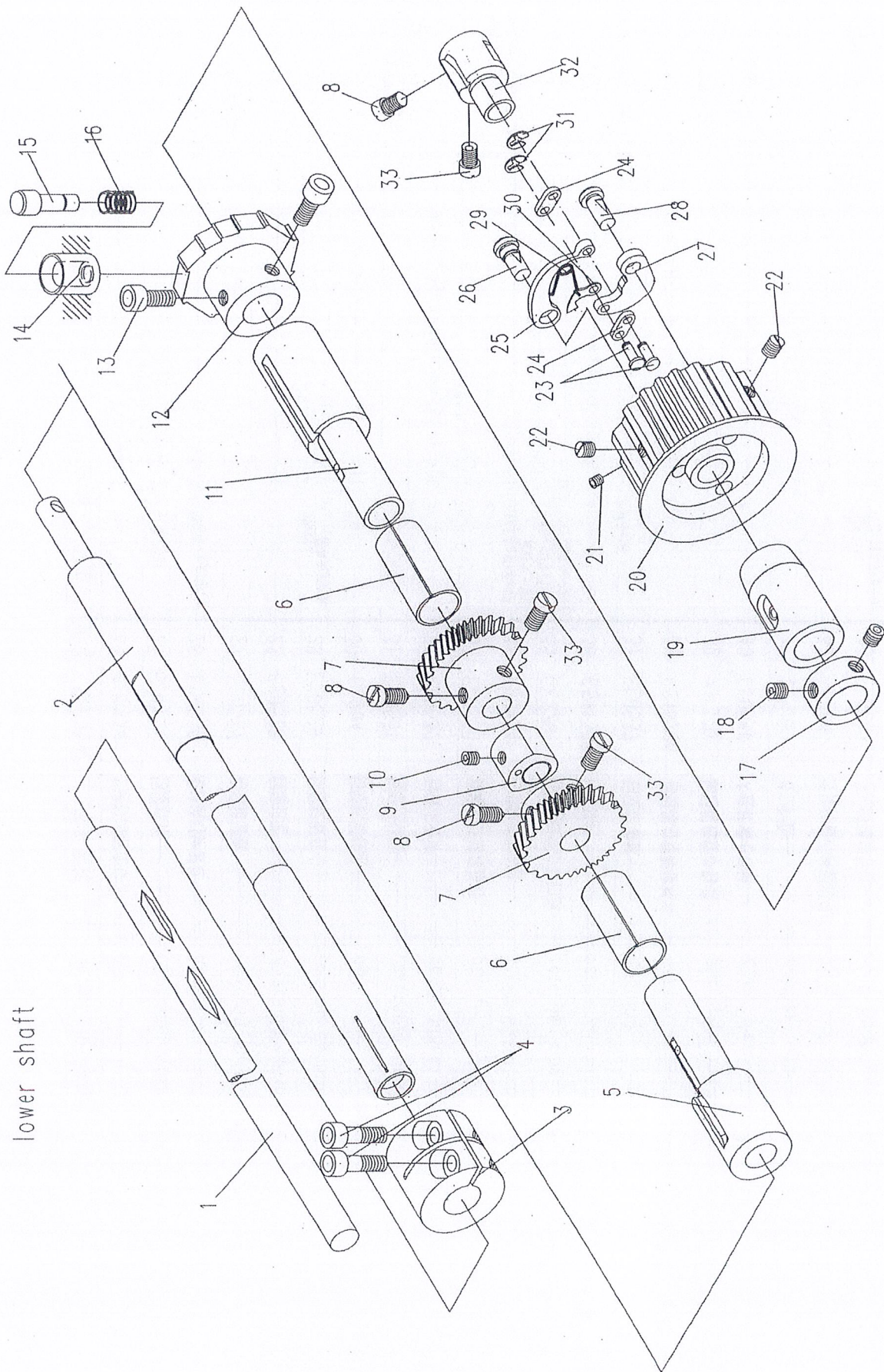
presser. uplifting presser foot

	Description		Description
1	EL0401	1	large presser bar
2	EL0402	1	Connecting sleeve
3	GS13218	1	screw M4x18
4	GK212	1	washing $\phi 4$
5	GL202	1	nut M4
6	EL0406	1	large presser foot
6	EL0406A	1	large presser foot
7	EL0407	1	upper bushing
8	EL0408	1	presser bar guide block
9	EL0409	1	screw 11/64x40
10	EL0410	1	presser bar guide bushing
11	EL0411	1	lifting guide stand
12	EL0412	1	screw
13	GS13316	1	screw M5x16
14	EL0414	1	screw
15	EL0415	1	spring base
16	GS13310	1	screw M5x10
17	EL0417	1	lower bushing
18	EL0418	1	presser lifting rocker arm
19	EL0419	1	screw
20	GU111	1	pendulum presser lifting small link 204
21	EL0421	1	front crank connecting rod
22	EL0422	1	pin
23	EL0423	1	nut 1/4x40
24	EL0424	1	presser lifting front crank
25	GS13518	1	screw M8x18
26	EL0426	1	small shaft
27	EL0427	1	small shaft bushing
28	EL0428	1	bar crank (back) M8x16
29	GS13516	1	screw
30	EL0430	1	uplifting presser lever
31	EL0431	1	uplifting lever small shaft M5x5
32	GS11305	1	screw
33	EL0433	1	centre small shaft
34	E-08	1	E-shaped snap spring ($\phi 8$)
35	EL0435	1	lever torsional spring
36	GS14320	1	screw M5x20
37	GL203	1	nut M5
38	EL0438	1	limit handle arm
39	EL0439	1	limit handle small shaft
40	EL0440	1	limit handle torsional spring
41	EL0441	1	retaining ring
42	GS11204	3	screw M4x4
43	EL0443	1	location handle
44	EL0444	1	screw
45	EL0445	1	presser bar spring (auxiliary)
46	EL0446	1	presser bar spring
47	EL0447	1	screw
48	D-06	1	washer
49	EL0449	2	spring finger
50	EL0450	1	spring
51	GZ141	1	uplifting presser lever shaft 18"
52	GW212	1	torsin spring 18"
53	GK264	1	uplifting presser lever shaft thimble 18"
54	EL0454	1	uplifting presser lever (front) 18"
55	GK222	1	uplifting presser lever (back) 18"
56	EL0456	1	location plate 18"
57	GS13312	2	screw M5x12

lower feeding shaft

	Description		Description
1 EL0501	feeding shaft	1	pin
2 GK255	retaining ring	2 (204)	reversing link
3 GS11406	screw	4 M6x6	nut
4 EL0504	front bushing	1	reversing spring plate
5 EL0505	feed dog shelf block	1	reversing spring
6 GS13412	screw	1 M6x12	reversing spring stud
7 EL0507	small shaft	1	nut
8 EL0508	nut	1 9/32x28	reversing limit seat
9 EL0509	feed dog shelf	1	small block
10 EL0510	feed dog	1	pin
11 EL0511	screw	1 9/64x40	small shaft
12 EL0512	screw	2 1/8x40	retaining ring
13 EL0513	lifting dog feeth fork	1	screw
14 GS13416	screw	1 M6x16	bushing
15 EL0515	snap spring	1	screw
16 EL0516	oil felt	1	pin
17 EL0517	median bushing (left)	1	cam pin
18 EL0518	median bushing (right)	1	washer
19 EL0519	upper feeding bar crank	1	nut
20 GS13416	screw	4 M6x16	back bushing
21 EL0521	pin	1	
22 E-08	E-shaped snap spring	2 (ø8)	
23 EL0523	lower feeding bar crank	1	
24 EL0524			
25 EL0525			
26 EL0526			
27 EL0527			
28 EL0528			
29 EL0529			
30 GL204			
31 EL0531			
32 EL0532			
33 EL0533			
34 EL0534			
35 GK220			
36 GS11305			
37 EL0537			
38 GS10206			
39 X-320			
40 EL0540			
41 D-06			
42 GL204			
43 EL0543			

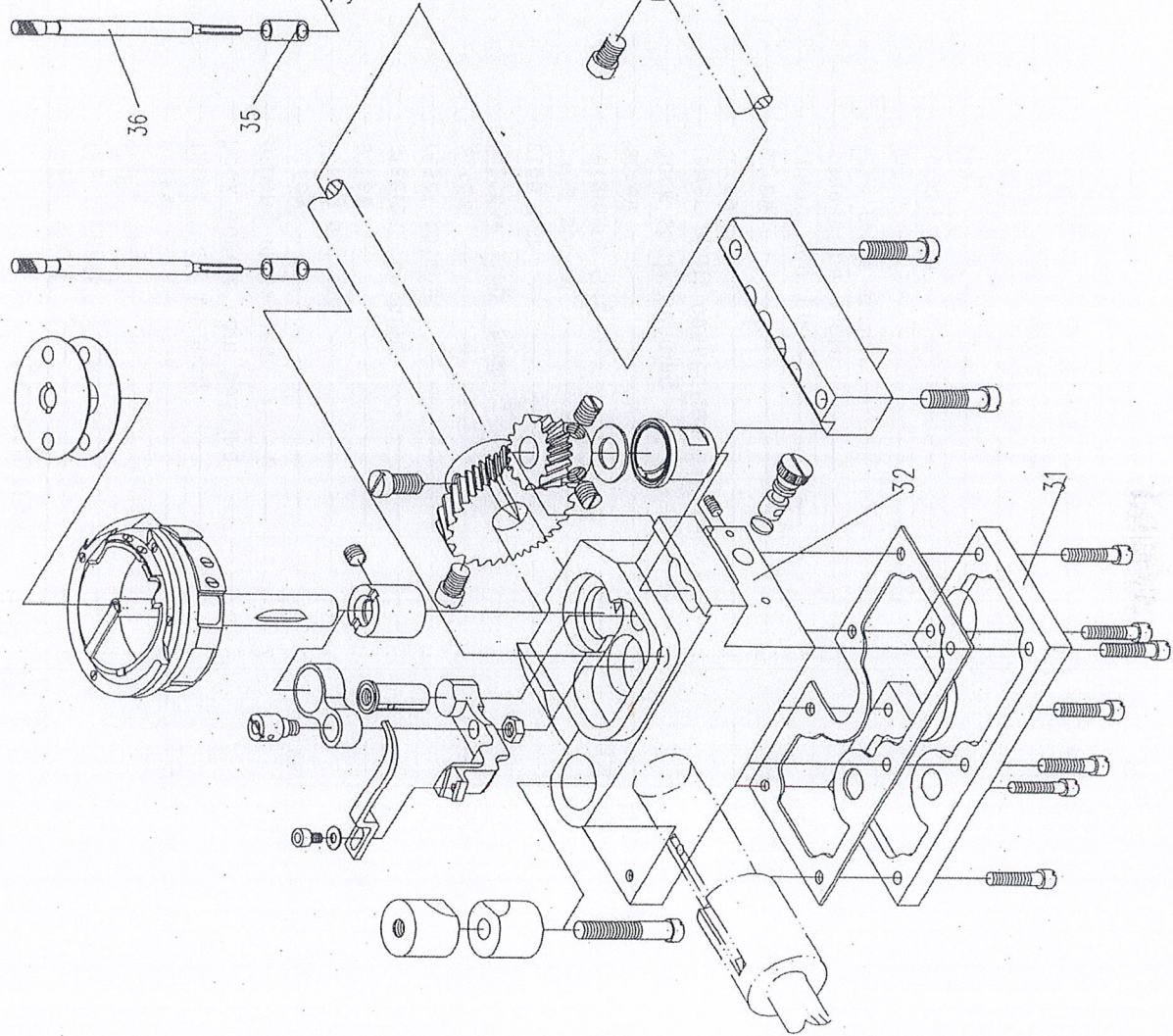
lower shaft



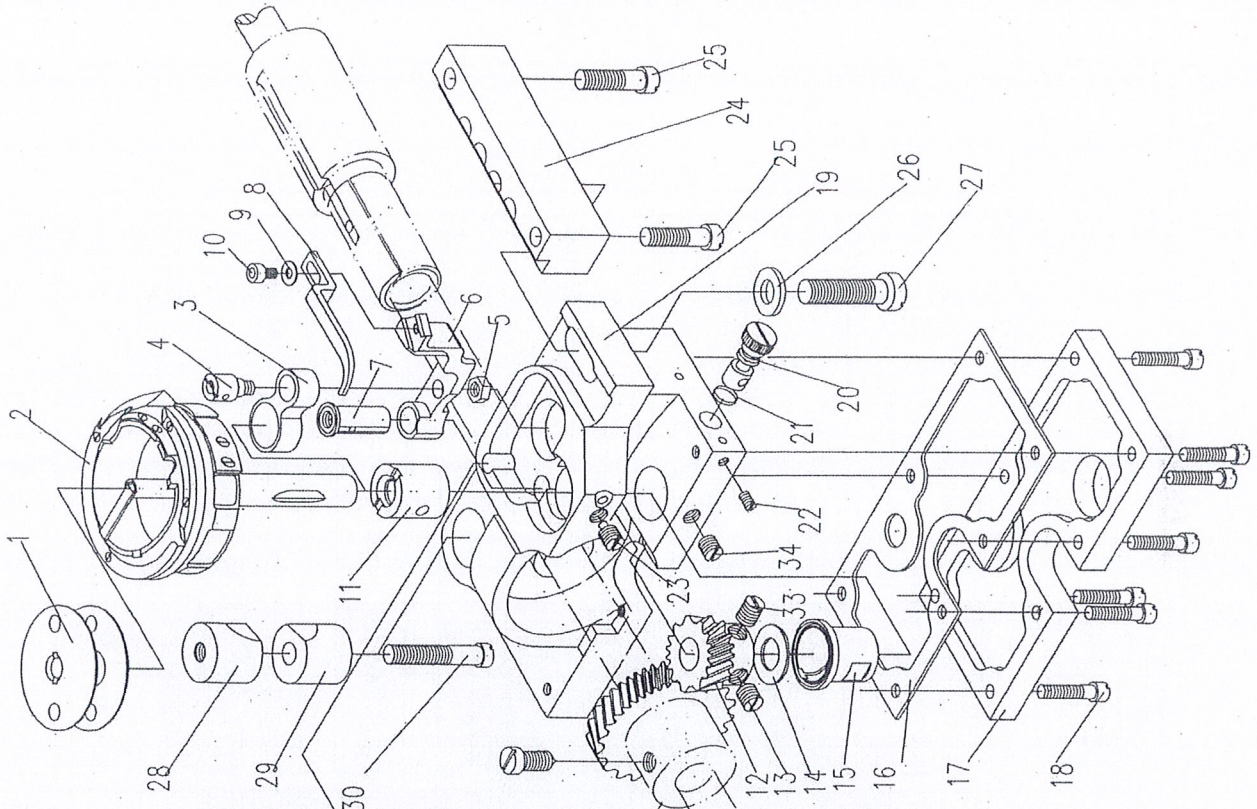
lower shaft

			Description	
1	EL0601		lower shaft I	1
2	EL0602		lower shaft II	1
3	EL0603		tight ring	1
4	GS13416		screw	2 — M6x16
5	EL0605		front shaft bushing	1
6	EL0606		hook saddle cam bushing	2
7	EL0607		driving mass gear	2
8	EL0608		screw	2 — M6x0.75
9	EL0609		lifting dog cam	1
10	GS11305		screw	1 — M5x5
11	EL0611		median bushing	1
12	EL0612		reset ratchet	1
13	GS11406		screw	1 — M6x6
14	EL0614		ratchet stop bushing	1
15	EL0615		stop pin	1
16	EL0616		stop spring	1
17	GK255		retaining ring	1 — (204)
18	GS11406		screw	2 — M6x6
19	EL0619		back shaft bushing	1
20	EL0620		lower shaft connection belt pulley	1
21	GS11204		screw	1 — M4x4
22	EL0622		screw	2 — 3/16x32
23	EL0623		connecting pin	2 — 3/16x32
24	EL0624		connecting plate	2
25	EL0625		lock plate spring	1
26	EL0626		pin	1
27	EL0627		lock plate	1
28	EL0628		pin	1
29	EL0629		reset finger	1
30	EL0630		reset finger spring	1
31	E-03		E-shaped snap spring	2 — (φ3)
32	EL0632		insite bushing	1
33	EL0633		screw	2 — M6x0.75

hook saddle (left)



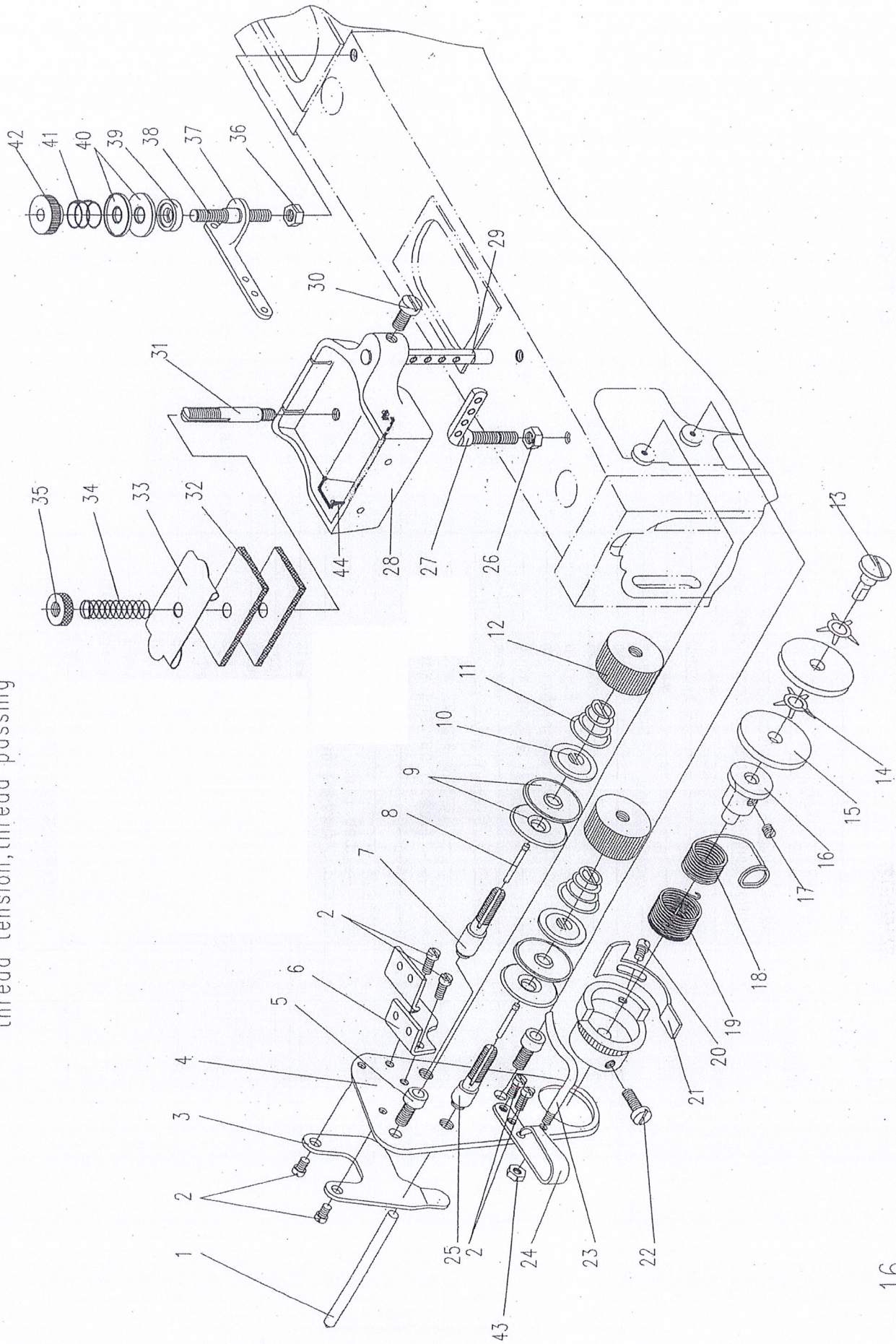
hook saddle (right)



left, right hook saddle

		Description	
1	EL0701	bobbin	2
2	EL0702	hook complete	2
3	EL0703	bobbin case limit link	2
4	EL0704	pin	2
5	EL0705	nut	2
6	EL0706	bobbin case limit block	2
7	EL0707	pin	2
8	EL0708	bobbin case limit plate	2
9	GK211	washer	2
10	GS13108	screw	2
11	EL0711	hook bushing (upper)	2
12	EL0712	hook driven small gear	2
13	EL0713	screw	2
14	EL0714	washer	2
15	EL0715	hook bushing (lower)	2
16	EL0716	hook saddle gasket	2
17	EL0717	oil reservoir (right)	1
18	EL0718	screw	14
19	EL0719	hook saddle (right)	1
20	EL0720	oil regulating rod	2
21	EL0721	o-ring	2
22	EL0722	screw	2
23	EL0723	screw	2
24	EL0724	hook saddle holder block	2
25	EL0725	screw	4
26	D-06	washer	2
27	EL0727	screw	2
28	EL0728	hook saddle positioning bushing (upper)	2
29	EL0729	hook saddle positioning bushing (lower)	2
30	EL0730	screw	4
31	EL0731	oil reservoir (left)	1
32	EL0732	hook saddle (left)	1
33	EL0733	screw	2
34	EL0734	screw	2
35	EL0735	oil gauge guide	2
36	EL0736	oil gauge	2

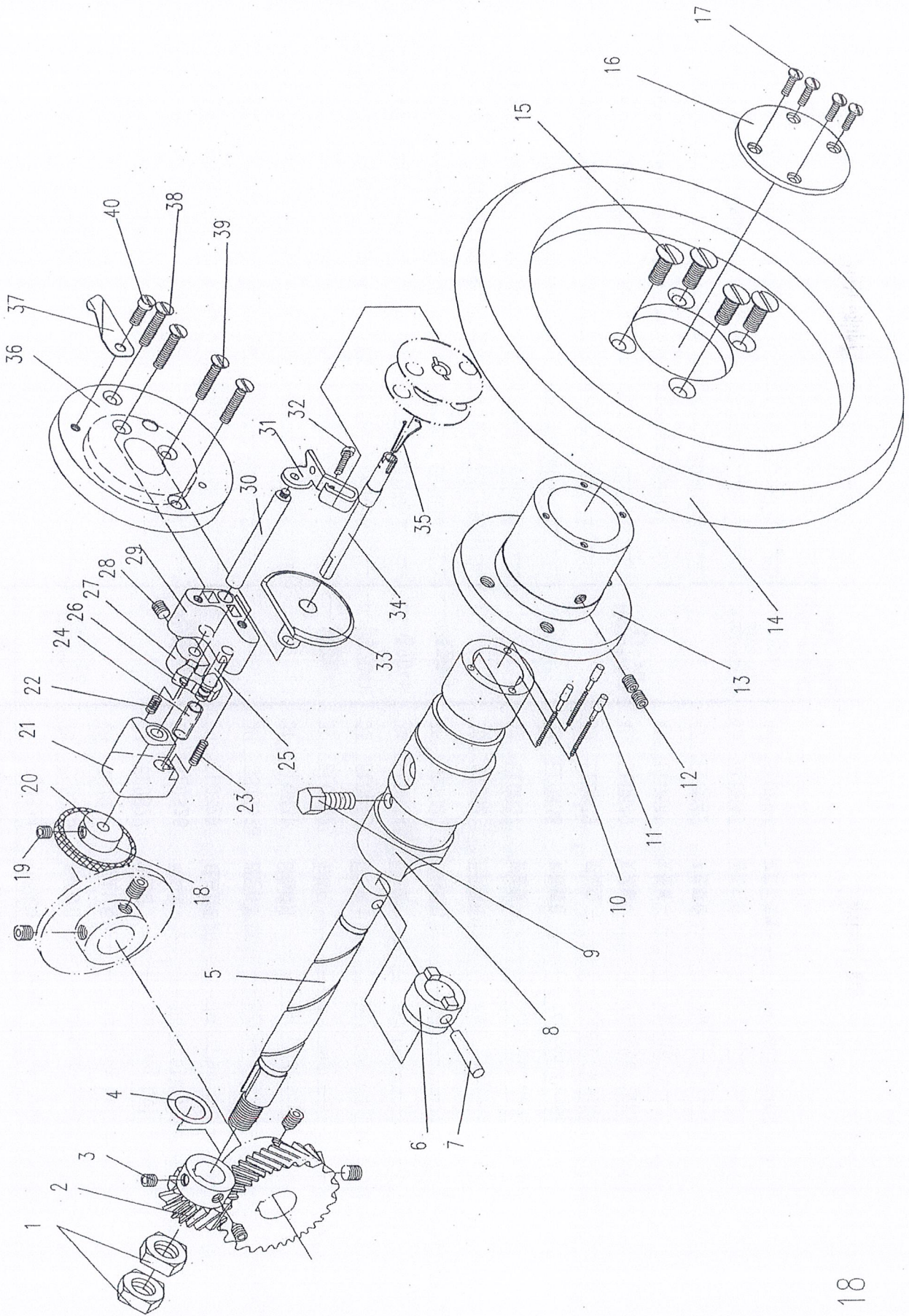
thread tension, thread passing



thread tension, thread passing

		Description		Description			
1	EL0801	thread releasing rod	1	24	EL0824	finger controller thread (middle)	1
2	EL0802	screw	6 9/64x40	25	EL0825	tension screw (short)	1
3	EL0803	thread releasing plate	1	26	GL203	passing bolt nut	1 M5
4	EL0804	location plate	1	27	EL0827	passing bolt	1
5	GS13312	screw	2 M5x12	28	EL0828	lubricating-oil cup	1
6	EL0806	thread drawing rack	1	29	EL0829	locating bar	1
7	EL0807	screw (long)	1	30	GS13310	screw	1 M5x10
8	EL0808	loosen bolt	2	31	EL0831	oil pad screw	1
9	GK231	tension plate	4 (204)	32	EL0832	oil pad	2
10	GK232	thread releasing plate	2 (204)	33	EL0833	presser oil pad plate	1
11	GW115	thread tension spring	2 (204)	34	EL0834	spring	1
12	GL204	tension nut	2 (204)	35	GL103	nut	1 (204)
13	EL0813	thread passing wheel bolt	1	36	GL203	nut	1 M5
14	EL0814	pentagon spring tablet	2	37	EL0837	tension thread stand	1
15	EL0815	thread passing wheel	2	38	EL0838	tension thread stud	1
16	EL0816	thread passing seat	1	39	EL0839	nylon washer	1
17	EL0817	screw	1 11/64x40	40	EL0840	tension thread plate	2
18	EL0818	thread take-up spring	1	41	EL0841	spring	1
19	EL0819	thread take-up torsion spring	1	42	EL0842	nut	1
20	EL0820	screw	1 9/64x40	43	EL0843	nut	1 9/64x40
21	EL0821	limit spring stop	1	44	EL0844	oil cup presser thread spring	1
22	EL0822	screw	1 11/64x40				
23	EL0823	controller thread bolt	1				

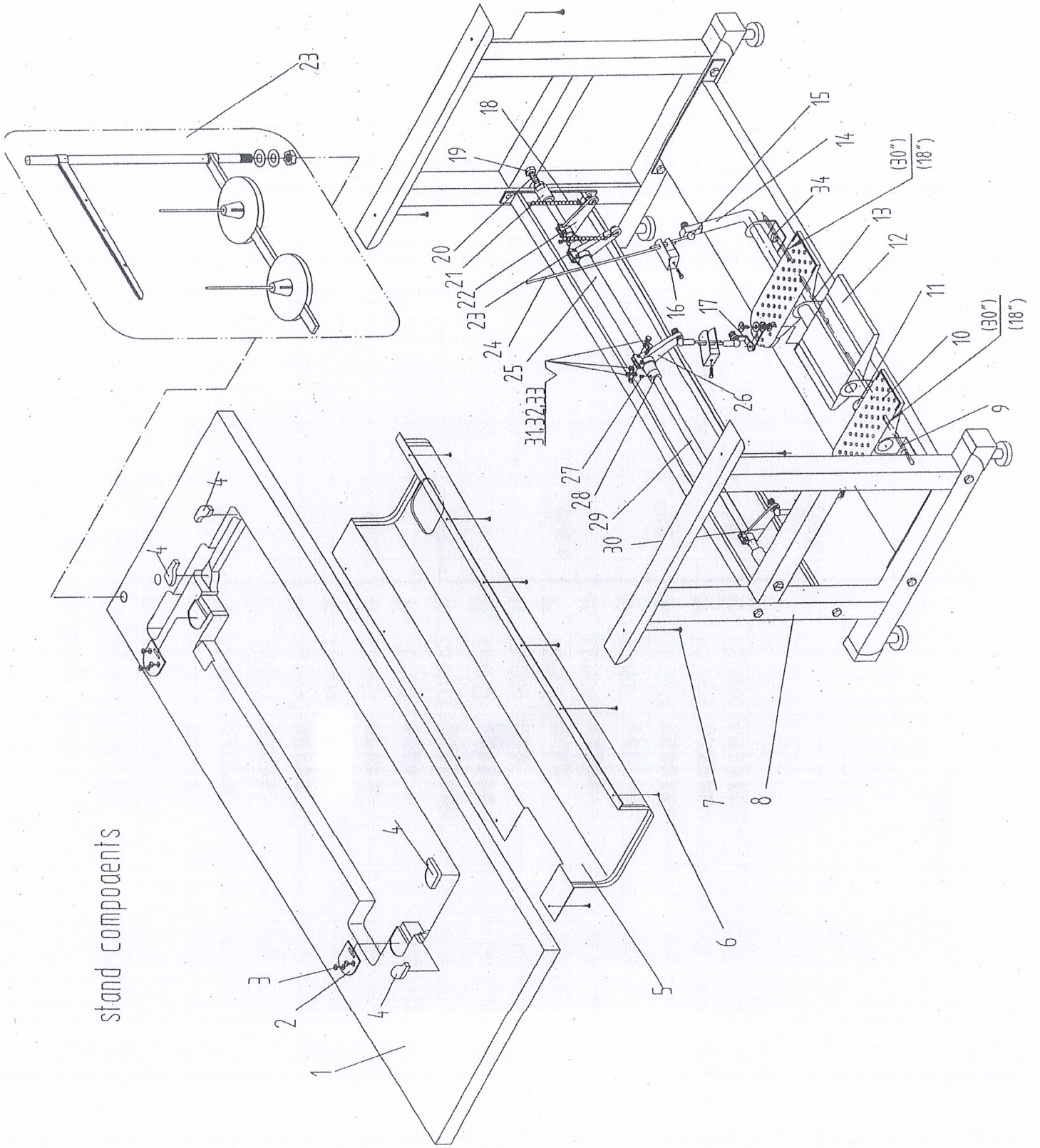
hand wheel, built-in thread coiling guard



hand wheel, built-in thread coiling guard

	Description		Description
1	GL206	lock nut	2 —M10x1
2	EL0902	driving small gear	1
3	GS11305	screw	2 M5x5
4	EL0904	washer	1
5	EL0905	hand pulley shaft	1
6	EL0906	hand pulley disengaging bushing	1
7	X-522	pin	1 — ϕ 5x22
8	EL0908	hand pulley bushing	1
9	EL0909	screw	1 —7/64x28
10	EL0910	hand pulley disengaging spring	3
11	EL0911	pin	3 M5x5
12	GS11305	screw	2
13	EL0913	centring bushing	1
14	EL0914	hand pulley	1
15	GS17414	screw	4 M6x14
16	EL0916	hand pulley disengaging tablet	1
17	GS17110	screw	4 M3x10
18	EL0918	rubber ring	1
19	GS11306	screw	1 M5x6
20	EL0920	driven friction wheel	1
21	EL0921	thread coiling presser plate seat	1
22	EL0922	presser spring 2	1
23	EL0923	presser spring 1	1
24	EL0924	presser plate shaft	1
25	EL0925	presser plate small bushing	1
26	EL0926	thread coiling presser plate	1
27	EL0927	thread coiling controller plate	1
28	GS11305	screw	1 M5x5
29	EL0929	thread coiling controller plate seat	1
30	EL0930	full reel springboard shaft	1
31	EL0931	full reel springboard	1
32	GS13112	regulate screw	1 M3x12
33	EL0933	presser plate base dial	1
34	EL0934	bobbin shaft	1
35	EL0935	bobbin shaftspring	1
36	EL0936	bobbin winder connecting dial	1
37	EL0937	small scissors	1
38	GS17218	screw	2 M4x18
39	GS17212	screw	2 M4x12
40	GS13208	screw	1 M4x8

stand components



	Description		
1	EL1001	table	1
2	GKR200	hinge	2 (204)
3	GBS115	screw	5 (204)
4	EL1004	rubber cushion	4
5	EL1005(30")	oil pan	1
5	EL1005(18")	oil pan	1
6	GBS112	screw	12 (204)
7	GBS114	screw	4 (204)
8	EL1008	stand	1
9	GKR184	foot step axle seat	2 (204)
10	GKR111	small pedal	2 (204)
11	EL1011	foot step axle seat B	2 (204)
12	EL1012	large pedal	1 M6x6
13	EL1013	large pedal axle seat	1
14	EL1014	clutch shaft	1
15	GXC222	electromagnetic lower rod clutch motor	3 (204)
16	GKR183	rod adjusting device	3 (204)
17	EL1017	small pedal connecting rod	1 M6x6
18	GKR209	zipper	1 (204)
19	GKR112	put	4 M12
20	GKR118	support screw	2 M12x100
21	GKR183	adjusting thimble	2
22	EL1022	small hole driven connecting rod	1 30", 18"
23	EL1023	large hole driven connecting rod	1 30", 18"
24	GXC118	electromagnetic upper rod clutch motor	3
25	EL1025	6" tube	1 30", 18"
26	EL1026	large hole driving connecting rod	1
27	GS11406	screw	2
28	EL1028	retaining ring	2
29	EL1029	4" tube	1 30", 18"
30	EL1030	small hole driving connecting rod	1
31	GL204	put	8 M6
32	D-06	washer	8 Ø6
33	GS13425	screw	8 M6x25
34	M1014	thread stand	1
35	GS14515	screw	7 M8x15