



# GLOBAL

OS 7708

---

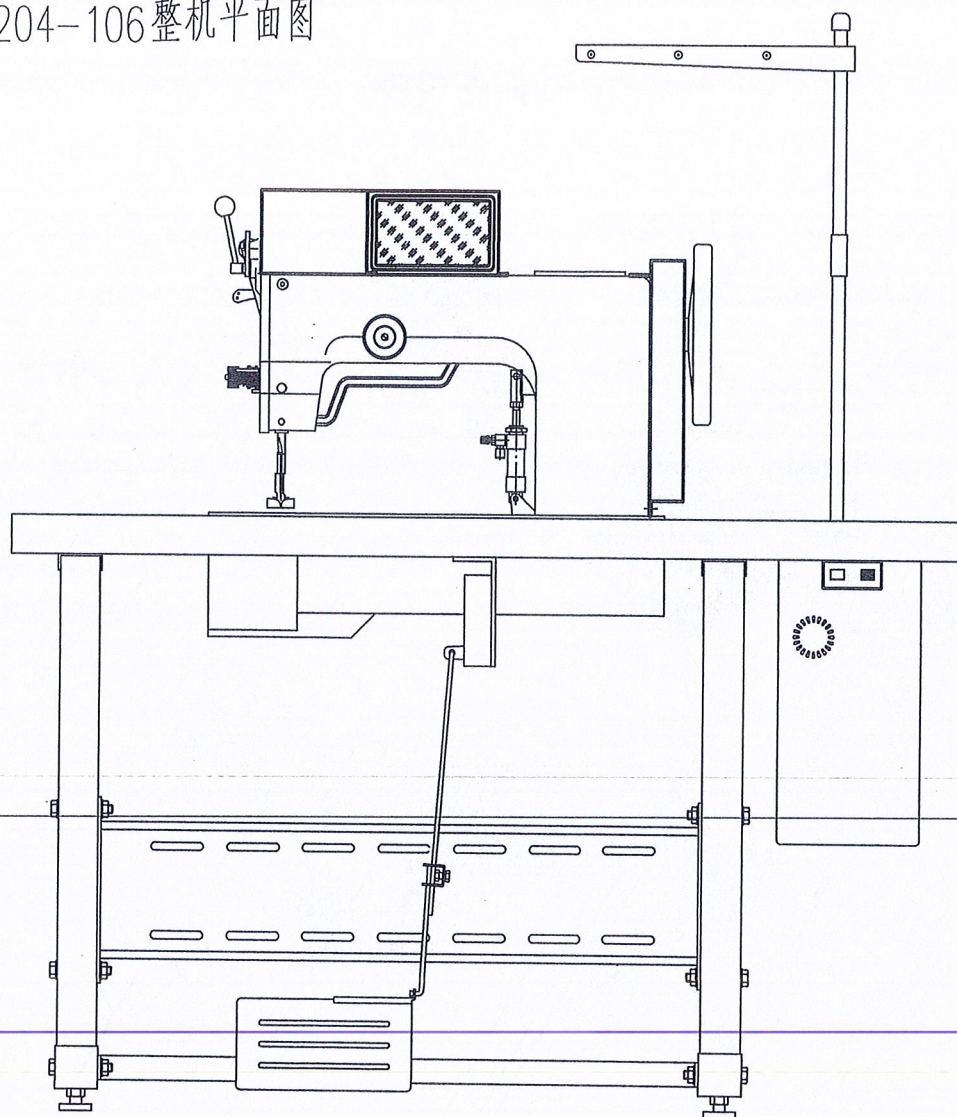
## Parts manual

[www.globalsew.com](http://www.globalsew.com)

[info@globalsew.com](mailto:info@globalsew.com)



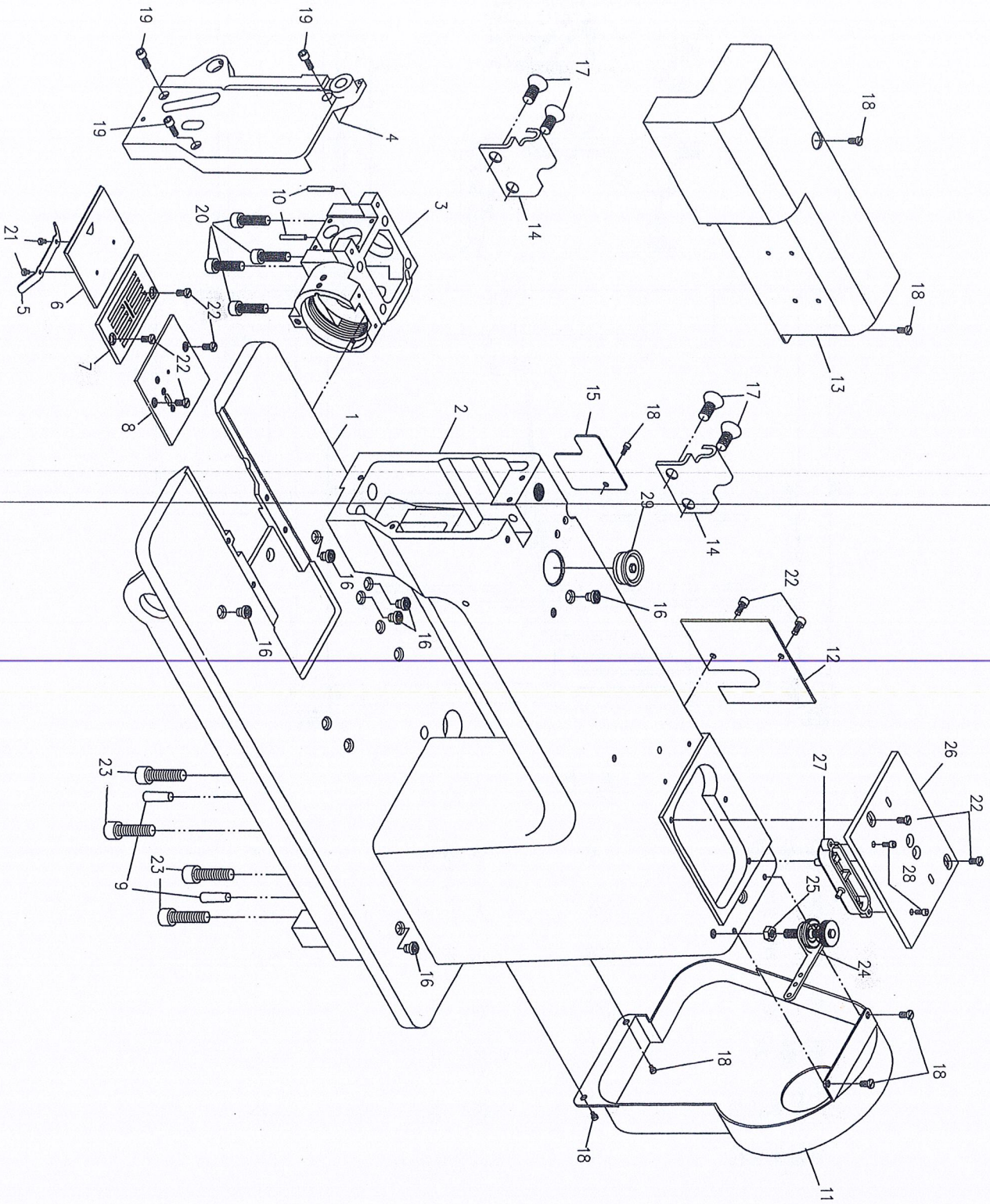
GA204-106整机平面图



附件

绕线器	1套	接油盘	1个
线架	1套	大开刀	1个
合页	2套	小开刀	2个
胶垫	4个	油壶	1个
脚踏板	1个	机针	1包
脚踏板支座	2个	梭芯	5个
脚踏板螺栓	4个	内六角扳手	1套

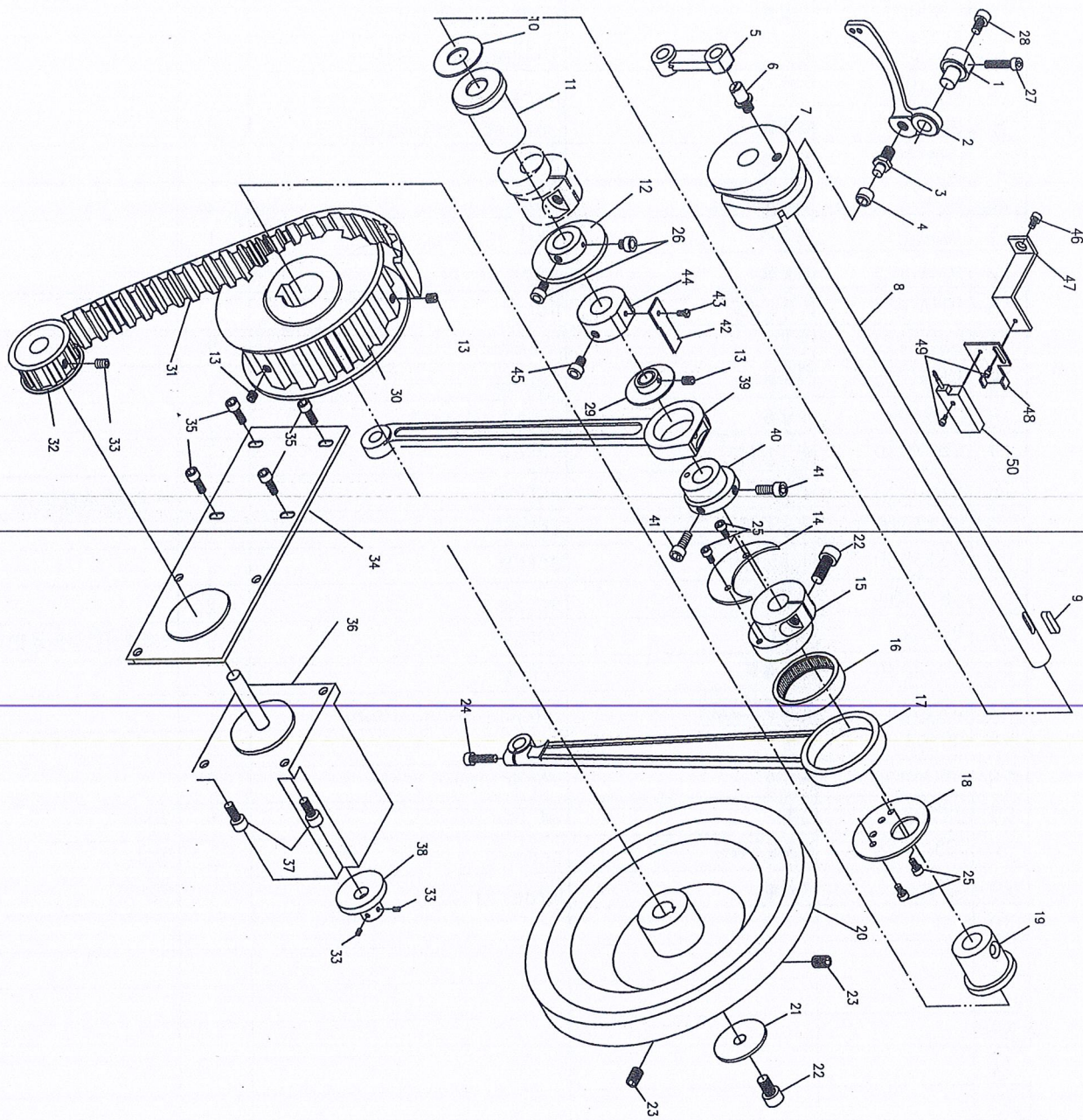
# 一. 机壳组件



# 一、机壳组件

序号	零件件号	零件名称	Description	件数	备注
1	105A0101	底板	bottom plate	1	204-104改制
2	1060102	机壳	head case	1	204-104改制
3	F0103	梭床座(箱体)	base of shuttle bed	1	
4	105A0104	前盖	face plate	1	
5	GW100	推板簧	push pedal spring	1	
6	GK205	推板	sliding plate(left)	1	
7	SF0107	针板	needle plate	1	
8	GK206	连接板	connection board	1	
9	GS105	机壳销	pin	2	
10	M0131	箱体定位销	pin	2	
11	105A0111	皮带罩	belt hood	1	
12	105A0112	后盖板	back cover	1	
13	105A0113	转针电机罩	hood	1	
14	GXR222	合页2	hinge 2	2	
15	105A0115	侧盖板	cover	1	
16	GK209A	小油堵	small oil scal	7	
17	GS17520	合页2螺钉	screw	4	
18	105A0118	皮带罩螺钉	screw	9	一字圆柱头螺钉M4-10
19	GS13316	前盖螺钉	screw	3	
20	GS13530	小箱体螺钉	screw	4	
21	GS12104	推板簧螺钉	screw	2	
22	GS172	针板螺钉	screw	9	一字球面圆柱头螺钉M5-11
23	GS13635	机壳螺钉	screw	4	
24	1070131	绕线器夹线组件	tensin threed stand	1	
25	GL203	螺母	nut	1	
26	105A0126	上盖板	upper cover plate	2	
27	GK203	油盒	oil box	1	204
28	105A0128	油盒固定螺钉	screw	2	204
29	GK208	大油堵	large oil scal	1	221
30					
31					
32					
33					
34					
35					
36					
37					
38					
39					
40					
41					
42					
43					
44					

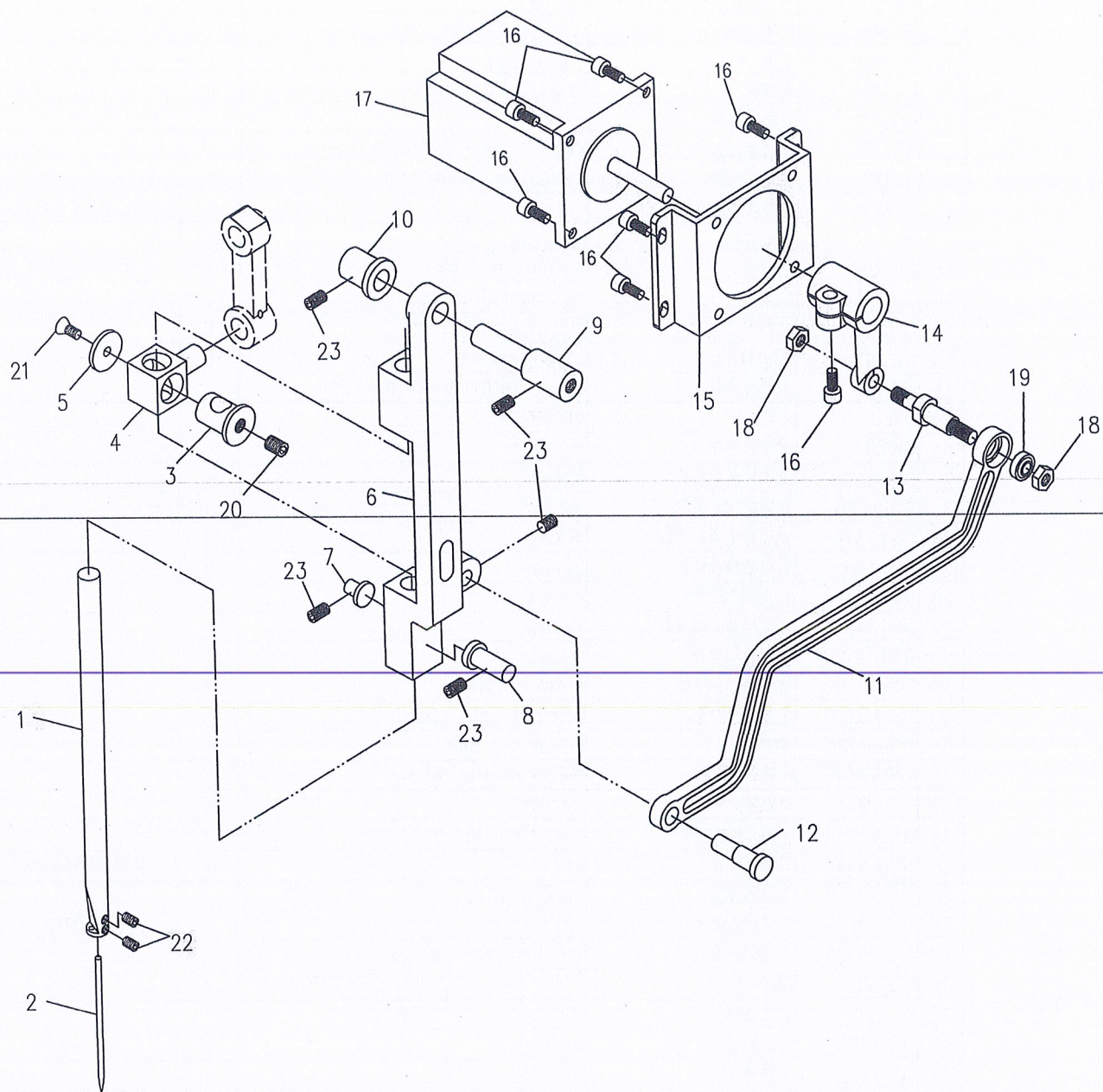
## 二. 上轴、挑线组件



(二)、上轴、挑线组件

序号	零件件号	零件名称	Description	件数	备注
1	M0213	挑线杆轴	raising thread axle	1	
2	M0212	挑线杆	thread take-up leve	1	
3	GZ105	挑线滚轮轴	roller shaft screw	1	
4	GU100	挑线滚轮	roller shaft	1	
5	M0217	针杆连杆	small connecting rod	1	
6	GX100	挑线凸轮连杆销钉	screw	1	
7	M0202	挑线凸轮	raising thread cam	1	
8	105A0208	上轴	upper shaft	1	
9	GK216	上轴键	upper shaft key	1	
10	GS215	前轴套垫片	washer	1	
11	G0109	上轴前轴套	upper shaft bushing front	1	
12	GP112	主动摩擦轮	driving frictioning rod	1	
13	O229	上轴齿形带轮紧定螺钉	screw	3	内六角凹端紧定螺钉M6-10
14	GK237	偏心档片B	side plate(B)	1	
15	G0129	偏心套	eccentric sleeve	1	
16	HK4512	轴承	needle roller bearing	1	
17	M0229	大连杆体	coconnecting rod	1	
18	GK263	偏心档片A	side plate(A)	1	
19	G0107	上轴后轴套	upper shaft bushing rear	1	
20	O220	上轮	on turns	1	
21	GK207	皮带轮垫片	washer	1	
22	GS13540	皮带轮安全螺钉	screw	1	
23	GS11516	皮带轮紧固螺钉	screw	2	
24	GS13316	大连杆体紧固螺钉	screw	1	
25	GS13208	偏心套档片螺钉	screw	2	
26	GS13410	主动摩擦轮螺钉	screw	1	
27	GS13440	挑线杆轴紧固螺钉	screw	1	
28	GS13412	挑线杆轴螺钉	screw	1	
29	105A0251	抬牙偏心套挡圈	blocking ring	1	
30	105A0230	上轴齿形带轮	pricipal axis wheel	1	
31	105A0231	齿形带	in-phase belt	1	
32	105A0232	主轴电机带轮	electromotor wheel	1	
33	105A0233	带轮紧固螺钉	screw	2	
34	105A0234	主轴电机安装板	electromotor support	1	
35	105A0235	安装板螺钉	screw	4	内六角圆柱头螺钉M6-16
36	105A0236	主轴电动机	eleectromotor	1	
37	105A0237	电机安装螺钉	screw	4	内六角圆柱头螺钉M5-16
38	105A0238	主电机手轮	electromotor wheel	1	
39	M0221	抬牙连杆	feed dog lift connecting rod	1	
40	M0222	抬牙偏心套	feed dog lift eccentric	1	
41	GS13420	偏心套螺钉	screw	2	
42	1070222	上轴感应铁	iron inductor	1	
43	GS12206	感应铁螺钉	screw	1	
44	1070220	上轴感应铁固定环	fixer loop	1	
45	GS13412	固定环螺钉	screw	2	
46	GS13310	支座螺钉	screw	1	
47	1070240	上轴感应器支座	sensor support	1	
48	1070242	上轴感应器固定架	sensor rivet support	1	
49	GS13108	传感器螺钉	screw	1	
50	1070243	传感器	sensor	1	内六角圆柱头螺钉M3-4
51					
52					
53					

### 三. 针杆摆动组件

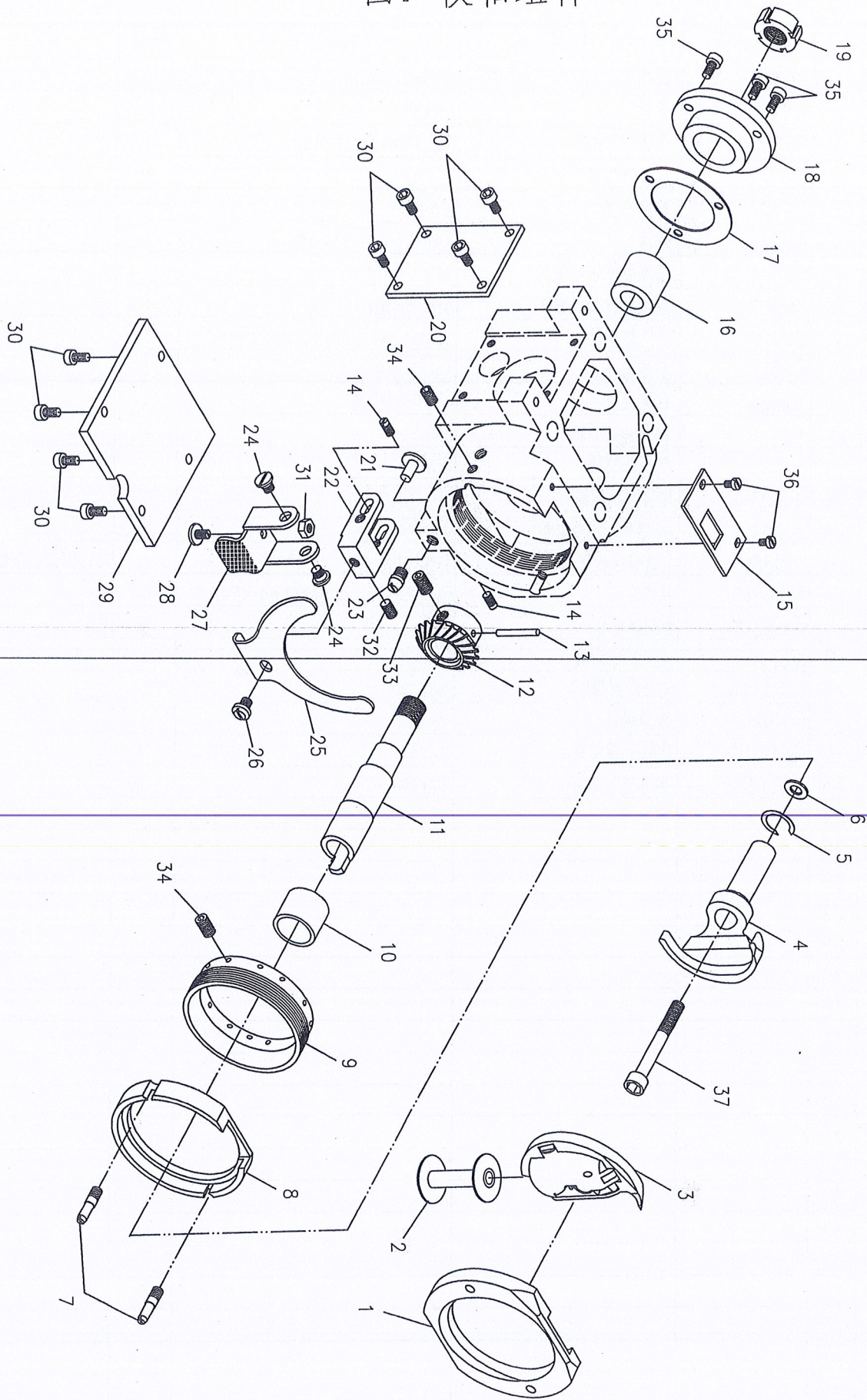




### 三、针杆摆动组件

序号	零件件号	零件名称	Description	件数	备注
1	F0301	针杆	needle bar	1	
2	DYx3	机针	needle	1	
3	F0305	连接轴转芯	rotating bar link	1	
4	F0304	针杆连接轴	needle bar connecting shaft	1	
5	F0307	转芯大垫	washer	1	
6	F0309	摆架	pendulum stand	1	
7	F0314	摆架限位销(左)	pin (left)	1	
8	F0313	摆架限位销(右)	pin (right)	1	
9	F0310	针摆架小轴	shaft of pendulum stand	1	
10	F0311	针摆架小套	bushing	1	
11	1060311	摆架连杆	stand link	1	
12	F0316	摆架连杆销1	pin (1)	1	
13	1060313	摆针曲柄轴	pin	1	
14	1060314	摆针电机曲柄	rocking bar	1	
15	1060315	大摆针电机安装板	bushing	1	
16	1060316	电机安装板螺钉	rocking bar shaft	9	内六方圆柱头螺钉M6-16
17	1060317	电机	rocking bar connecting shaft	1	
18	1060318	曲柄轴螺母	nut	2	M6
19	Mo623	连接板球轴承	bearing	1	
20	GS11406	针杆紧固螺钉	screw	1	
21	GS16206	转芯螺钉	screw	1	
22	GS11205	机针紧固螺钉	screw	2	
23	GS11305	轴套紧固螺钉	screw	3	
24					
25					
26					
27					
28					
29					
30					
31					
32					
33					
34					
35					
36					
37					
38					
39					
40					
41					
42					
43					
44					

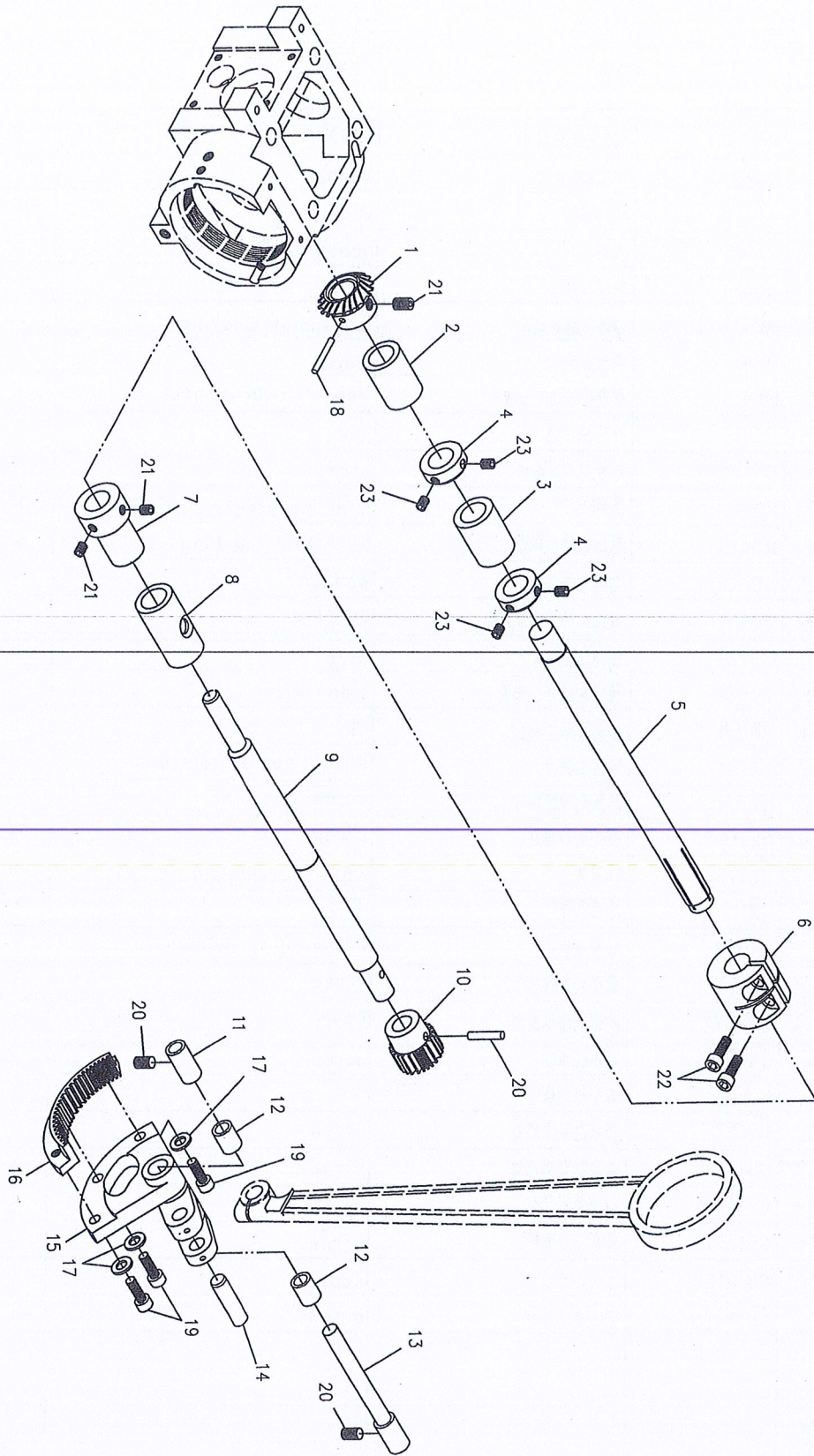
# 四. 梭轴组件



## 四、梭轴组件

序号	零件件号	零件名称	Description	件数	备注
1	F0401	梭床盖	bobbin bed cover	1	
2	GN116	梭心	bobbin	1	
3	GN111/9	摆梭	shuttle hook	1	
4	M0405	摆梭托	swinging shuttle support	1	
5	M0406	摆梭托限位垫片	washer	3	厚:0.2、0.3、0.5选配
6	M0407	限位螺钉垫片	washer	1	
7	M0408	梭床螺钉	screw	2	
8	F0408	梭床	bobbin bed	1	
9	M0410	梭床定位套	shuttle set	1	
10	M0412	摆梭托轴前轴套	front shaft bushing	1	
11	M0413	摆梭托轴	shaft	1	
12	M0414	螺旋伞齿轮(右旋)	right helix bevel gear	1	
13	M0415	伞齿轮锥销	pin	1	
14	GX110	压紧架转轴螺钉	screw	2	
15	F0415	护针挡片	needle protecting board	1	
16	M0419	摆梭托轴后轴套	back shaft bushing	1	
17	M0420	摆梭托轴后大垫	washer	1	
18	M0421	摆梭托轴后定位大套	bushing	1	
19	M0423	摆梭托轴螺母	nut	1	
20	M0424	梭床座箱体左侧盖	side plate	1	
21	GX108	压紧架轴位销钉	pin	1	
22	GK241	梭床压紧架	bobbin bed press stand	1	
23	GX109	压紧架轴位螺钉	screw	1	
24	GX112	板手转轴螺钉	screw	2	
25	GW111	压盖簧	ring-pressing spring	1	
26	GX117	压盖簧螺钉	screw	1	
27	GK243	压紧架板手	press stand spanner	1	
28	GX113	板手轴位螺钉	screw	1	
29	M0437	梭床座箱体底板	cover	1	
30	GS13210	底盖板螺钉	screw	8	
31	GL203	板手轴位螺母	nut	1	
32	GS102	压紧架紧定螺钉	screw	1	
33	GS11406	伞齿轮紧固螺钉	screw	1	
34	GS11306	梭床紧固螺钉	screw	2	
35	GS13216	定位大套螺钉	screw	3	
36	GS12104	护针板螺钉	screw	2	
37	GS13460	梭托限位螺钉	screw	1	
38					
39					
40					
41					
42					
43					
44					

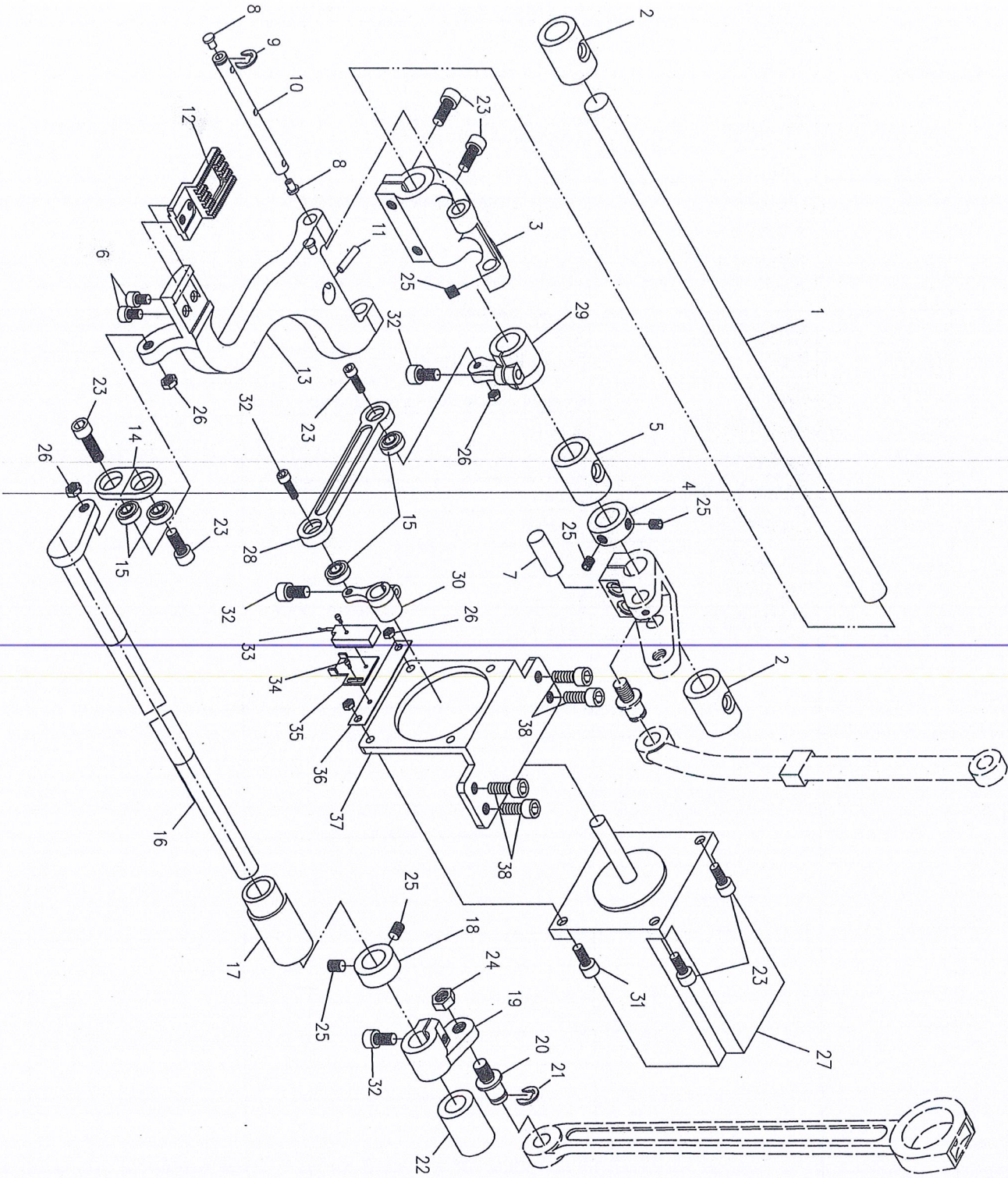
# 五. 下轴、摆轴组件



## 五、下轴、摆轴组件

序号	零件件号	零件名称	Description	件数	备注
1	M0501	螺旋伞齿轮(左旋)	left helix bevel gear	1	
2	M0504	下轴  前轴套	front shaft bushing	1	
3	M0505	下轴  后轴套	back shaft bushing	1	
4	M0506	下轴  挡圈	biocking ring of lower shaft	2	
5	M0508	下轴	lower shaft	1	
6	M0509	下轴紧圈	tight ring of lower shaft	1	
7	M0512	下轴1挡圈	biocking ring of lower shaft	1	
8	M0513	下轴1后轴套	back shaft bushing	1	
9	GZ112	下轴1	lower shaft(1)	1	
10	GP107	下轴小齿轮	small gear of lower shaft	1	
11	G0130	下摆轴轴套	bushing	1	
12	G0132	下摆轴架小套	bushing	2	
13	M0522	下摆轴	swinging shaft	1	
14	GZ128	大连杆销轴	shaft	1	
15	M0524	摆轴架	pendulum axle stand	1	
16	GP106	扇形齿轮	pendulum axle fan-shaped gear	1	
17	M0519	扇形齿轮螺钉垫圈	washer	3	
18	M0415	小齿轮锥销	pin	2	
19	GS13318	扇形齿轮紧固螺钉	screw	3	
20	GS10414	下摆轴轴套螺钉	screw	2	
21	GS11406	下轴1挡圈螺钉	screw	3	
22	GS13416	下轴紧圈螺钉	screw	2	
23	GS11306	下轴  挡圈螺钉	screw	4	
24					
25					
26					
27					
28					
29					
30					
31					
32					
33					
34					
35					
36					
37					
38					
39					
40					
41					
42					
43					
44					

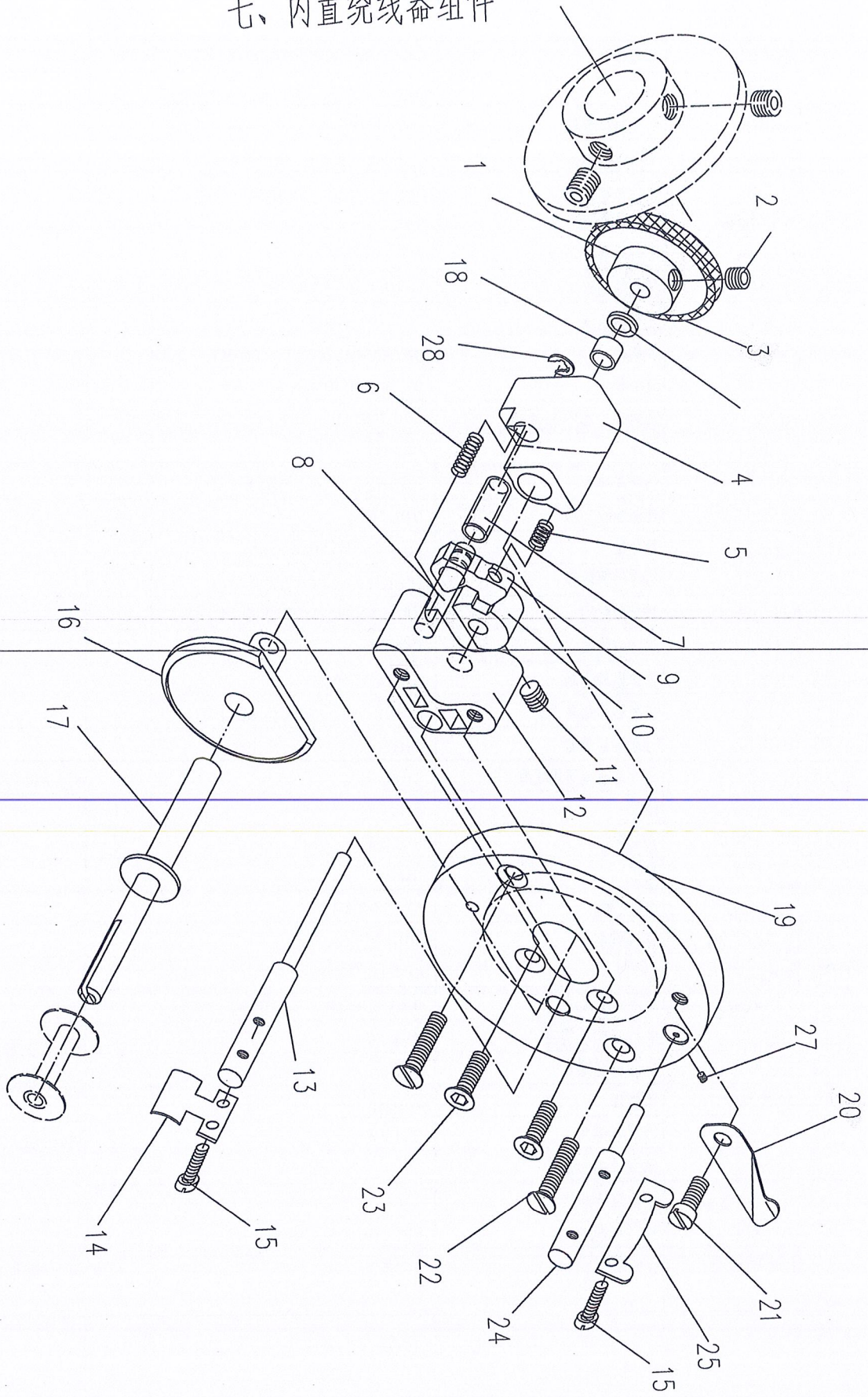
# 六. 抬牙、送料组件



## 六、抬牙、送料组件

序号	零件件号	零件名称	Description	件数	备注
1	M0601	下送料轴	bottom feeding shaft	1	
2	M0602	下送料轴后轴套	back bushing of feeding shaft	2	
3	M0604	下送料前曲柄	front feeding cronk	1	
4	M0605	下送料轴挡圈	blocking ring of feeding axle	1	
5	M0607	下送料轴前轴套	front bushing of feeding shaft	1	
6	GS13308	送料牙螺钉	screw	1	
7	GZ128	送料后曲柄销轴	pin shaft	1	
8	M0614	牙架轴油堵	small oil seal	1	
9	M0615	牙架轴卡簧	E-shaped snap spring	1	
10	M0616	牙架轴	shaft of tooth-shelf	1	
11	M0617	过油管	oil pipe joint	1	
12	0612	送料牙 <i>SF 0612</i>	feed dog	1	
13	M0621	牙架	shelf	1	
14	M0624	抬牙连接板	connection board	1	
15	M0623	连接板球轴承	bearing	4	
16	M0627	抬牙轴	tooth-lifting axle	1	
17	M0626	抬牙轴前轴套	front shaft bushing	1	
18	M0605	抬牙轴挡圈	lifting tooth axle retaining ring	1	
19	M0628	抬牙后曲柄	crank	1	
20	M0631	抬牙连杆销轴	pin shaft	1	
21	M0632	抬牙连杆销轴卡簧	E-shaped snap spring	1	
22	M0625	抬牙轴后轴套	back shaft bushing	3	
23	GS13416	抬牙后曲柄紧固螺钉	screw	8	内六方圆柱头螺钉M6-16
24	M0630	螺母	nut	1	
25	GS11406	挡圈螺钉	screw	2	
26	M0620	螺母	nut	4	
27	105A0627	送料电机	eletromotor	1	
28	105A0628	送料连杆	connecting rod	1	
29	105A0629	送料曲柄	feeding cronk	1	
30	105A0630	送料电机曲柄	eletromotor feeding cronk	1	
31	105A0631	电机安装长螺钉	screw	2	内六方圆柱头螺钉6-25
32	105A0632	曲柄紧固螺钉	screw	3	内六方圆柱头螺钉M6-12
33	1070243	传感器	sensor	1	
34	105A0634	传感器螺钉	screw	2	内六方圆柱头螺钉M3-4
35	1070242	感应器固定架		1	
36	105A0636	感应器支板		1	
37	105A0637	送料电机座	eletromotor support	1	
38	105A0638	电机座螺钉	screw	4	内六方圆柱头螺钉6-20
39					
40					
41					
42					
43					
44					

# 七、内置绕线器组件

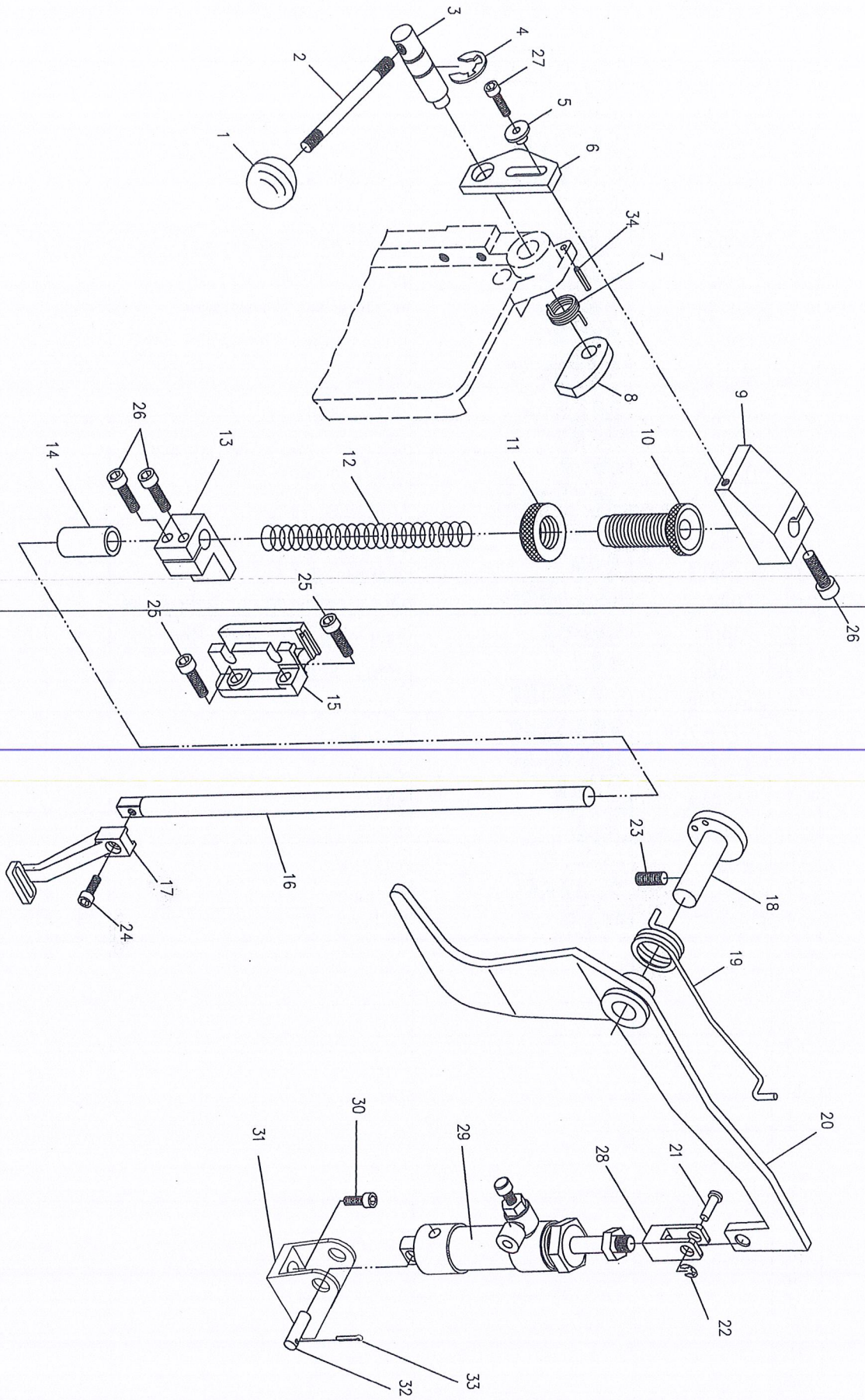




## 七、内置绕线器组件

序号	零件件号	零件名称	Description	件数	备注
1	EL0918	被动摩擦轮胶圈	rubber ring	1	
2	GS11306	被动摩擦轮紧定螺钉	screw	1	
3	FL0920	被动摩擦轮	driven friction wheel	1	
4	EL0921	绕线压力板座	thread coiling presser plate seat	1	
5	FL0922	压力弹簧2	presser spring 2	1	
6	EL0923	压力弹簧1	presser spring 1	1	
7	EL0925	压力板小套	presser plate small bushing	1	
8	EL0924	压力板芯轴	presser plate shaft	1	
9	EL0926	绕线压力板	thread coiling presser plate	1	
10	FL0927	绕线控制板	thread coiling controller plate	1	
11	GS11305	绕线控制板顶丝	screw	1	
12	FL0929	绕线控制板座	thread coiling controller plate seat	1	
13	1070913	满线跳板轴	full reel springboard shaft	1	
14	1070914	满线跳板	full reel springboard	1	
15	GS13112	满线跳板调整螺钉	regulate screw	4	
16	EL0933	压力板座底盘	presser plate base dial	1	
17	1070917	梭心轴	bobbin shaft	1	
18	EL0941	绕线压力板座套	thread coiling presser plate washer	1	
19	EL0936	绕线器接盘	bobbin winder connecting dial	1	
20	EL0937	小剪刀	small scissors	1	
21	GS13208	小剪刀紧固螺钉	screw	2	
22	GS17212	绕线器接盘螺钉	screw	2	
23	GS16210	绕线器接盘螺钉	screw	2	
24	1070924	排线板轴	shaft	1	
25	1070925	排线板	plate	2	
26	D-05	摩擦轮平垫	washing	2	
27	GS11105	排线轴紧定螺钉	screw	2	
28	E-04	开口挡圈	E-type	1	
29					
30					
31					
32					
33					
34					
35					
36					
37					
38					
39					
40					
41					
42					
43					
44					

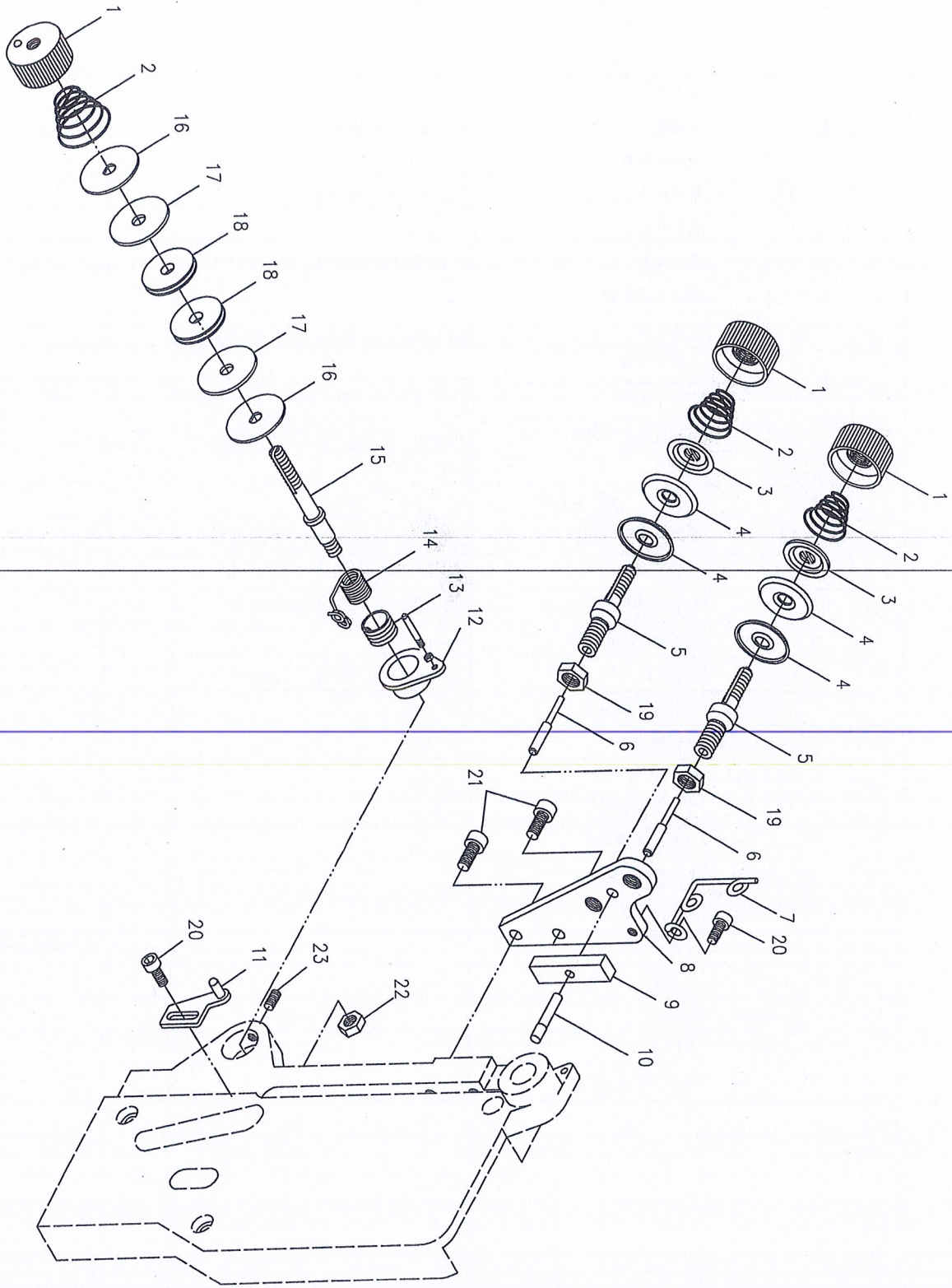
# 八. 压杆、抬压脚组件



## 八、压杆、抬压脚组件

序号	零件件号	零件名称	Description	件数	备注
1	GZS139	抬压脚手柄球	uplifting presser handle ball	1	
2	GZ138	提升手柄杆	uplifting handle bar	1	
3	M0805	抬压脚手柄轴	shaft	1	
4	GW211	抬压脚手柄轴卡簧	uplifting handle axle jump ring	1	
5	M0804	松线板连接套	thread loosening	1	
6	M0803	松线板2	thread releasing plate(2)	1	
7	GW217	提升压脚簧	uplifting presser spring	1	
8	M0802	抬压脚偏心片	eccentric slice	1	
9	M0312	抬压脚顶块	block	1	
10	GZ125	调压螺钉	pressure regulated screw	1	
11	M0314	调压锁紧螺母	nut	1	
12	GW201	压杆大簧	spring presser bar spring	1	
13	M0310	压杆定位块	setting block of pressing rod	1	
14	M0307	压杆下衬套	pressing rod lower bushing	1	
15	GK226	压脚升降定位滑道	presser lifting locating slideway	1	
16	M0309	压杆	presser bar	1	
17	H0817	压脚 <i>ST 0817</i>	presser foot	1	
18	GE141	提升压脚杠杆轴	uplifting presser lever shaft	1	
19	GW212	杠杆扭簧	lever torsional sloring	1	
20	GK264	提升压脚杠杆	uplifting presser lever	1	
21	105A0821	抬压脚气缸接头肖	lpen	1	
22	105A0822	卡簧 $\phi 4$	upliting handle axle jump ring	1	
23	GS11410	杠杆轴紧固螺钉	screw	1	
24	GS13210	压脚螺钉	screw	1	
25	GS13325	滑道螺钉	screw	2	
26	GS13320	定位块紧固螺钉	screw	2	
27	GS13216	杠杆轴紧固螺钉	screw	1	
28	105A0828	抬压脚气缸接头		1	
29	0829105A	抬压脚气缸		1	
30	105A0830	小支架螺钉		2	内六方圆柱头M6-10
31	105A0831	小支架		1	
32	105A0832	圆柱肖		1	
33	105A0833	开口肖 $\phi 1.5$		1	
34	105A0834	提升手柄轴开口肖		1	同204
35					
36					
37					
38					
39					
40					
41					
42					
43					
44					

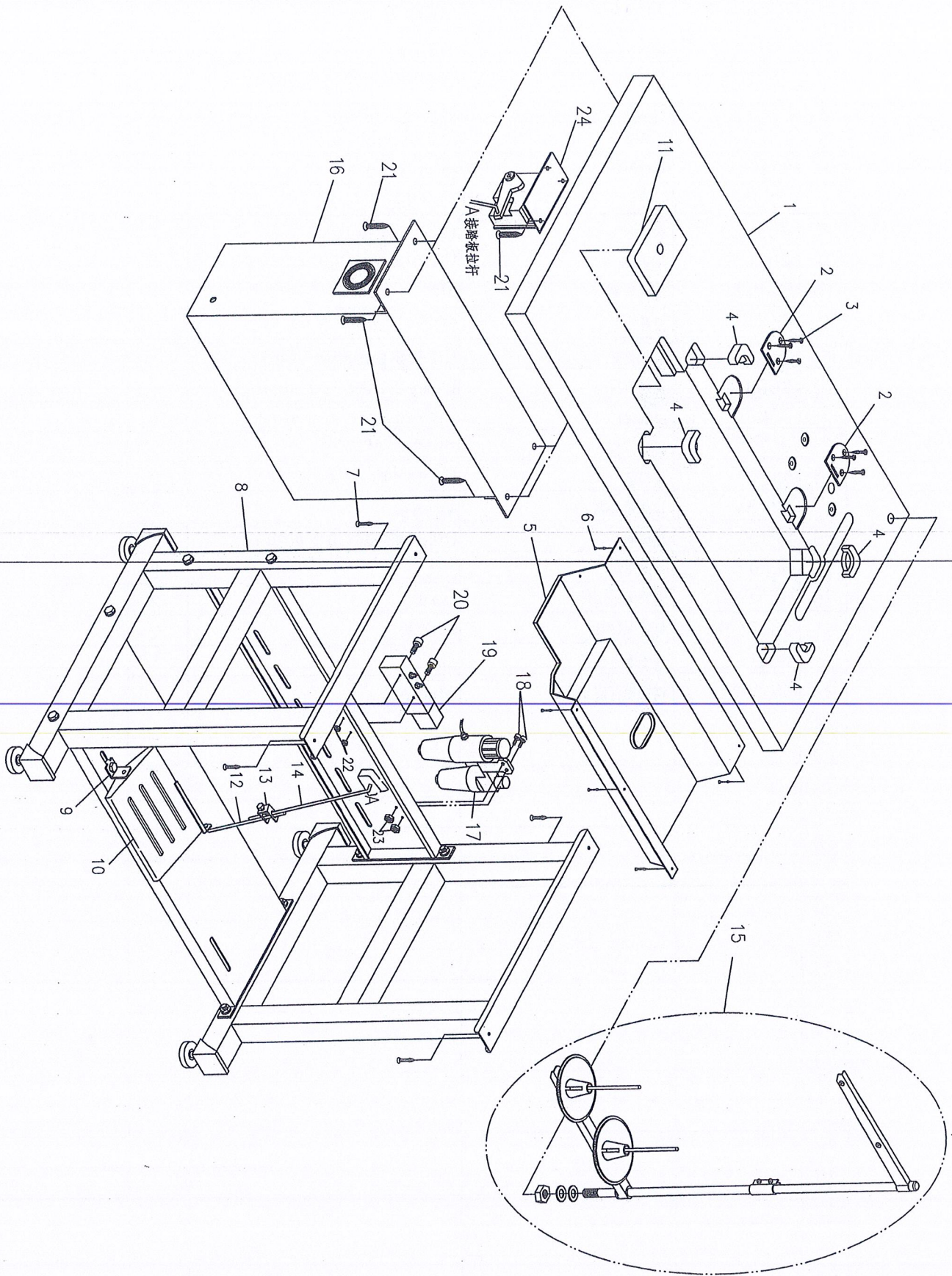
# 九。夹线、过线组件



## 九、夹线、过线组件

序号	零件件号	零件名称	Description	件数	备注
1	GLS204	夹线螺母	tension nut	3	
2	GW115	夹线簧	spring	3	
3	GK232	松线板	thread releasing plate	2	
4	GK123	夹线板	tension plate	4	
5	GZ126	夹线螺钉	screw tension	2	
6	GX106	松线钉	loosen bolt	2	
7	M0408	过线圈	thread passing ring	1	
8	M0910	夹线架	thread tension rack	1	
9	M0911	松线板1	thread releasing plate	1	
10	M0912	松线板销	pin	1	
11	GKS108	拨簧支架	drawing soring stand	1	
12	GKS107	过线器座	thread passing sead	1	
13	GC0814	挑线扭簧	thread take-up soring	1	
14	GC0818	挑线簧1	thread take-up spring	1	
15	M0925	过线螺钉	screw tension	1	
16	GK233	过线板	thread passing plate	2	
17	GK234	过线轮毡圈	washer	2	
18	GP102	过线轮	thread passing wheel	2	
19	GL205	锁紧螺母	nut	2	
20	GS13208	拨簧支架螺钉	screw	2	
21	GS13316	松线架螺钉	screw	2	
22	M0913	过线螺钉锁母	nut	1	
23	GS11206	过线器座固定螺钉	screw	1	
24					
25					
26					
27					
28					
29					
30					
31					
32					
33					
34					
35					
36					
37					
38					
39					
40					
41					
42					
43					
44					

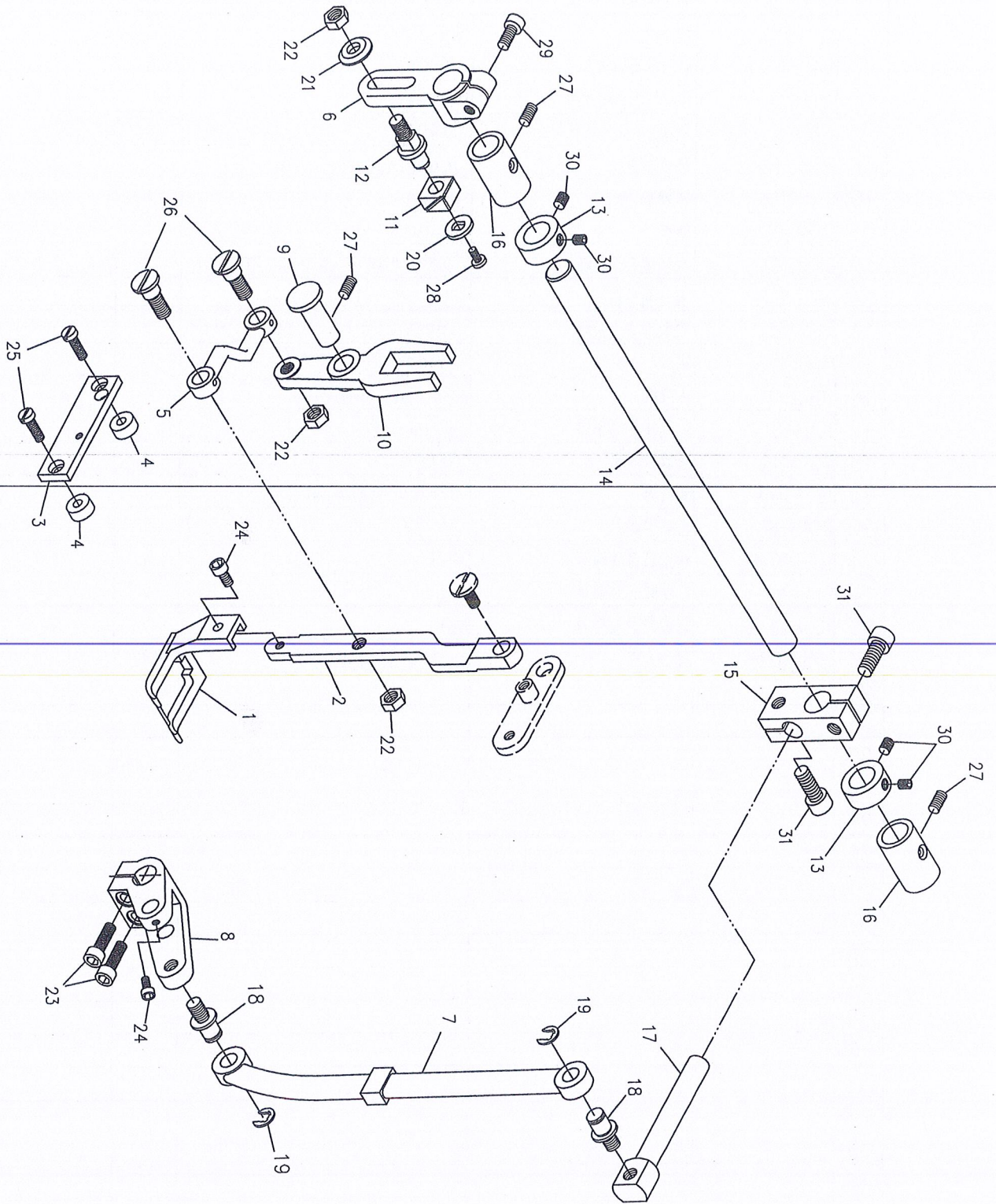
# 十. 机架组件



## 十、机架组件

序号	零件件号	零件名称	Description	件数	备注
1	GKR221	台板	table	1	
2	GKR200	合页1	hinge	2	
3	GC1005	合页螺钉	screw	6	
4	GC1004	机头胶垫	rupper cushion	4	
5	GKR216	接油盘	oil pan	1	
6	GBS112	接油盘紧固螺钉	screw	6	
7	GC1021	机架台板紧固螺钉	screw	4	
8	M1010	机架	stand	1	
9	GKR184	踏板轴座	footstep axle seat	4	
10	GKR182	大踏板	pedal	1	
11	105A1011	活板	pedal	1	
12	GKR116	电机离合下拉杆	lower rod of clutch motor	1	
13	GKR183	拉杆调节器	rod adjusting device	1	
14	GKR118	电机离合上拉杆	upper rod of clutch motor	1	
15	M1014	线架	thread stand	1	
16	1061016	电控箱	electron control	1	
17	105A1017	空气油雾滤清器	air-oil filter	1	
18	GS13312	滤清器螺钉	screw	2	
19	105A1019	电磁阀	electromagnetisi valve	1	
20	GS13280	电磁阀螺钉	screw	2	
21	105A1021	电控箱自攻螺钉	screw	4	
22	GL204	电磁阀安装螺母	nut	2	
23	105A1023	滤清器安装螺母	nut	2	
24	105A1024	踏板开关	footstep switch	1套	
25					
26					
27					
28					
29					
30					
31					
32					
33					
34					
35					
36					
37					
38					
39					
40					
41					
42					
43					
44					

# 十一. 上送料组件

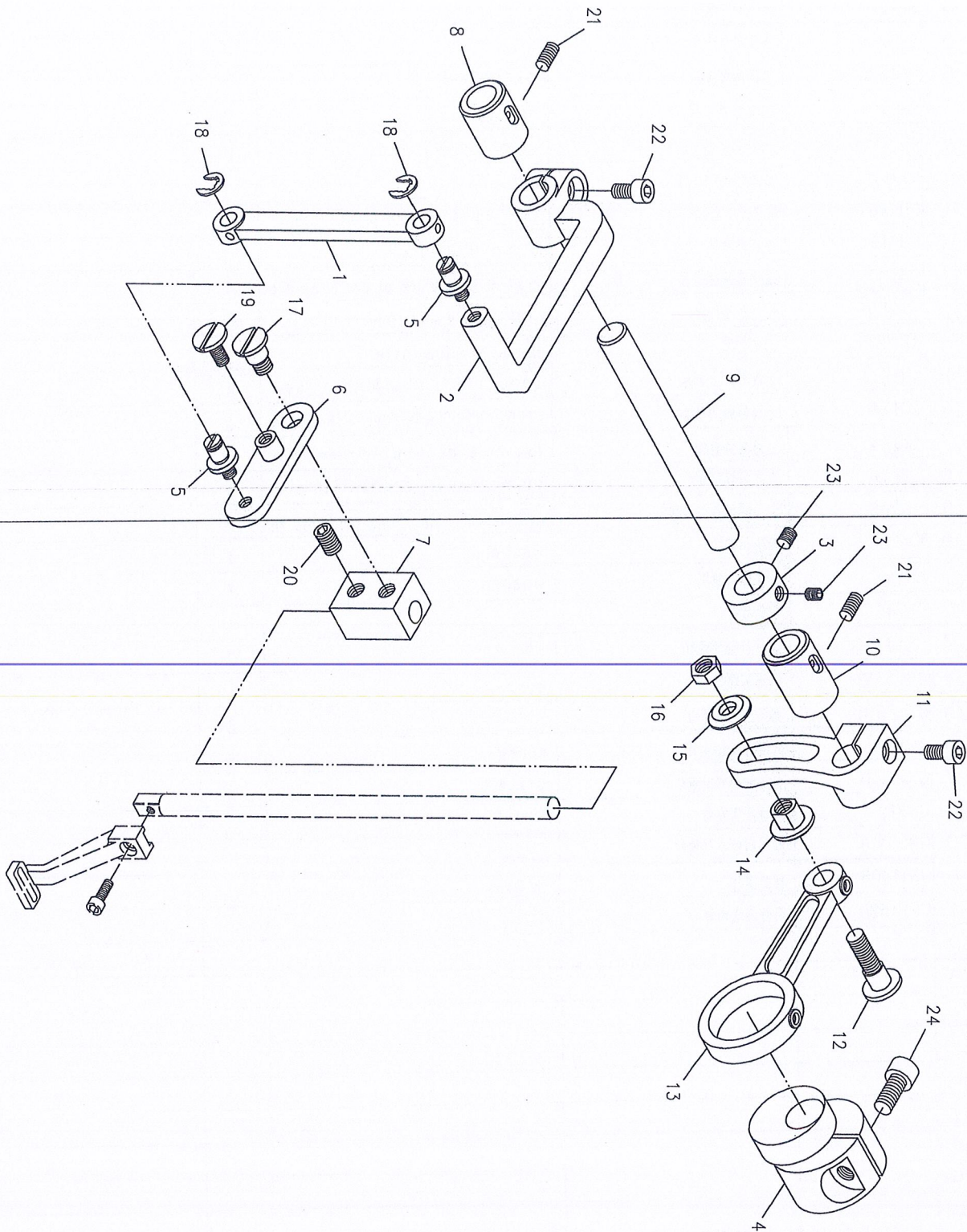




# 十一、上送料组件

序号	零件件号	零件名称	Description	件数	备注
1	SF1201	摆压脚	ABC	1	
2	SF1202	摆压脚杆	ABC	1	
3	SF1203	摆压脚导板	ABC	1	
4	SF1204	摆压脚导板垫	ABC	2	
5	SF1205	摆压脚小连杆	ABC	1	
6	SF1206	摆压脚前曲柄	front crank	1	
7	SF1207	上送料大连杆	connecting rod	1	
8	SF1208	送料后曲柄	back feeding cronk	1	
9	GX123	摆压脚叉形杆销	pin	1	
10	GH148	摆压脚叉形杆	fork-rod of swinging pressing foot	1	
11	GU119	摆压脚滑块	crakn slide block	1	
12	GU120	摆压脚滑块螺柱	screw of slide block of pre ssing foot	1	
13	GK255	上送料轴挡圈	upper feeding axle retainer axle	2	
14	GZ120	上送料轴	upper feeding axle	1	
15	GH152	上送料后曲柄座	upper feeding back crank seat	1	
16	G0124	上送料轴后轴套	upper feeding axle back axle sleeve	2	
17	GK254	上送料调整杆	upper feeding adjustment bar	1	
18	GZ133	上送料连接销	upper feeding connecting pin	1	
19	GW205	上送料连接销卡簧	puer feeding connecting pin jump ring	2	
20	GU110	滑块垫圈	washer	1	
21	GR245	轴位螺钉垫圈	washer	1	
22	GL106	锁紧螺母	nut	1	
23	GS13420	送料后曲柄螺钉	screw	2	
24	GS13312	摆压脚螺钉	screw	1	
25	GS13318	摆压脚导板螺钉	screw	2	
26	GS180	叉形杆连接螺钉	screw	2	
27	GS11410	叉形杆销紧固螺钉	screw	3	
28	GS212	滑块紧固螺钉	screw	2	
29	GS13416	摆压脚前曲柄螺钉	screw	1	
30	GS11406	挡圈螺钉	screw	4	
31	GS13520	后曲柄座螺钉	screw	2	
32					
33					
34					
35					
36					
37					
38					
39					
40					
41					
42					
43					
44					

## 十二. 压脚升降组件



## 十二、压脚升降组件

序号	零件件号	零件名称	Description	件数	备注
1	1061201	摆压脚升降连杆	large connecting rod	1	
2	SF1302	摆压脚升降前曲柄	pressing foot front crank	1	
3	SF1303	压脚升降轴挡圈	biocking ring	1	
4	SF1304	压脚升降偏心轮	presser foot lift cam	1	
5	SF1305	摆压脚升降连杆螺钉	screw	2	
6	SF1306	抬压脚摇板	pressing foot lifting rocking board	1	
7	SF1307	压杆升降滑块	sliding block	1	
8	G0127	压脚升降轴前轴套	pressing foot lifting shaft front sleeve	1	
9	GZ122	压脚升降轴	pressing foot lift shaft	1	
10	G0126	压脚升降轴后轴套	pressing foot lifting shaft back sleeve	1	
11	GH146	压脚升降调整后曲柄	pressing foot lifting adjusting back crank	1	
12	GS150	轴位螺钉	screw	1	
13	GD0606	压脚升降偏心轮连杆	arge pressing foot lifting connecting rod	1	
14	GL108	调整螺母	nut	1	
15	GR245	轴位螺钉垫圈	washer	1	
16	GL106	锁紧螺母	nut	1	
17	GS181	定位块摇板螺钉	screw	1	
18	GW206	开口挡圈	E-type	2	
19	GS153	摆压脚支点螺钉	screw	1	
20	GS10508	压杆升降滑块定位螺钉	screw	1	
21	GS11410	压脚升降轴前后轴套螺钉	screw	2	
22	GS13416	压脚升降曲柄螺钉	screw	2	
23	GS11406	升降轴挡圈螺钉	screw	2	
24	GS13520	偏心轮螺钉	screw	1	
25					
26					
27					
28					
29					
30					
31					
32					
33					
34					
35					
36					
37					
38					
39					
40					
41					
42					
43					
44					

