

GLOBAL

OS 7707

Ornamental stitch machine

Parts book

Always switch off the electricity when working on
the machine.

THE UNIVERSITY OF CHICAGO

1911-12

THE UNIVERSITY OF CHICAGO

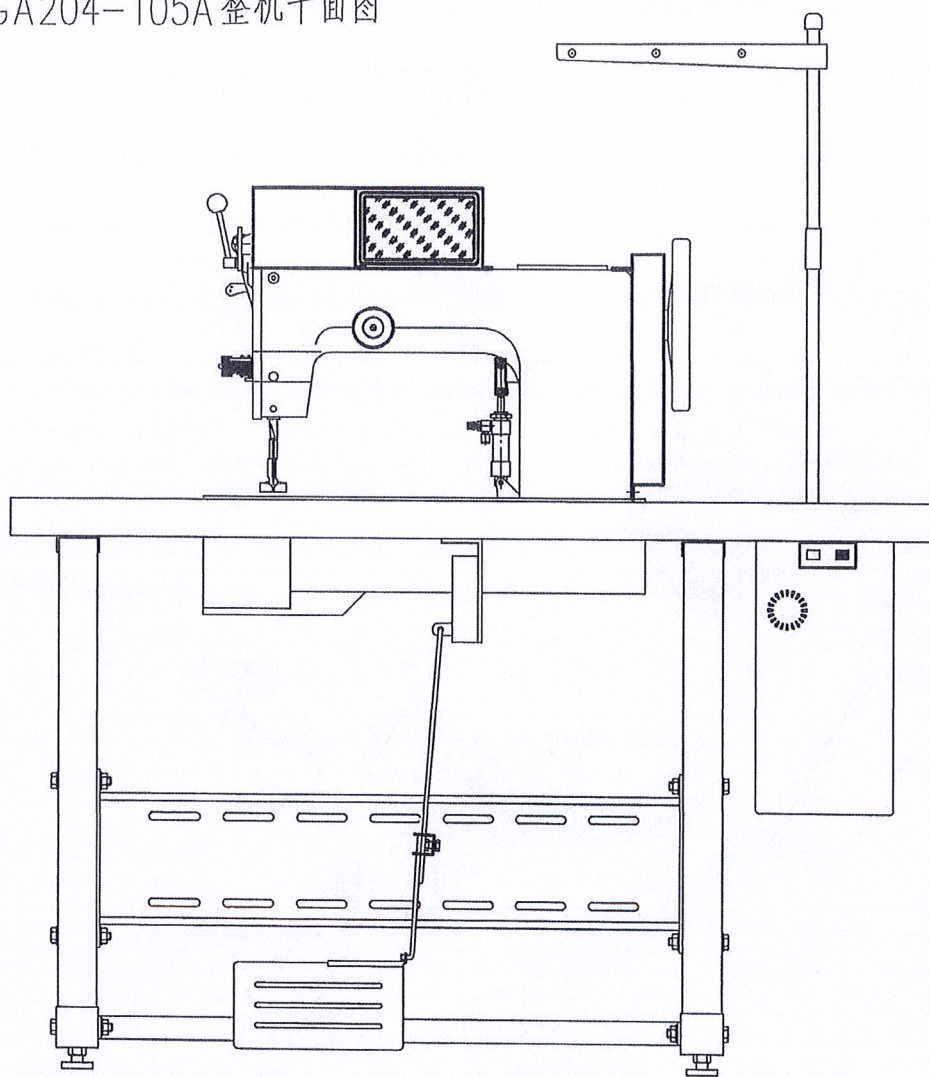
1911-12

1

2

3

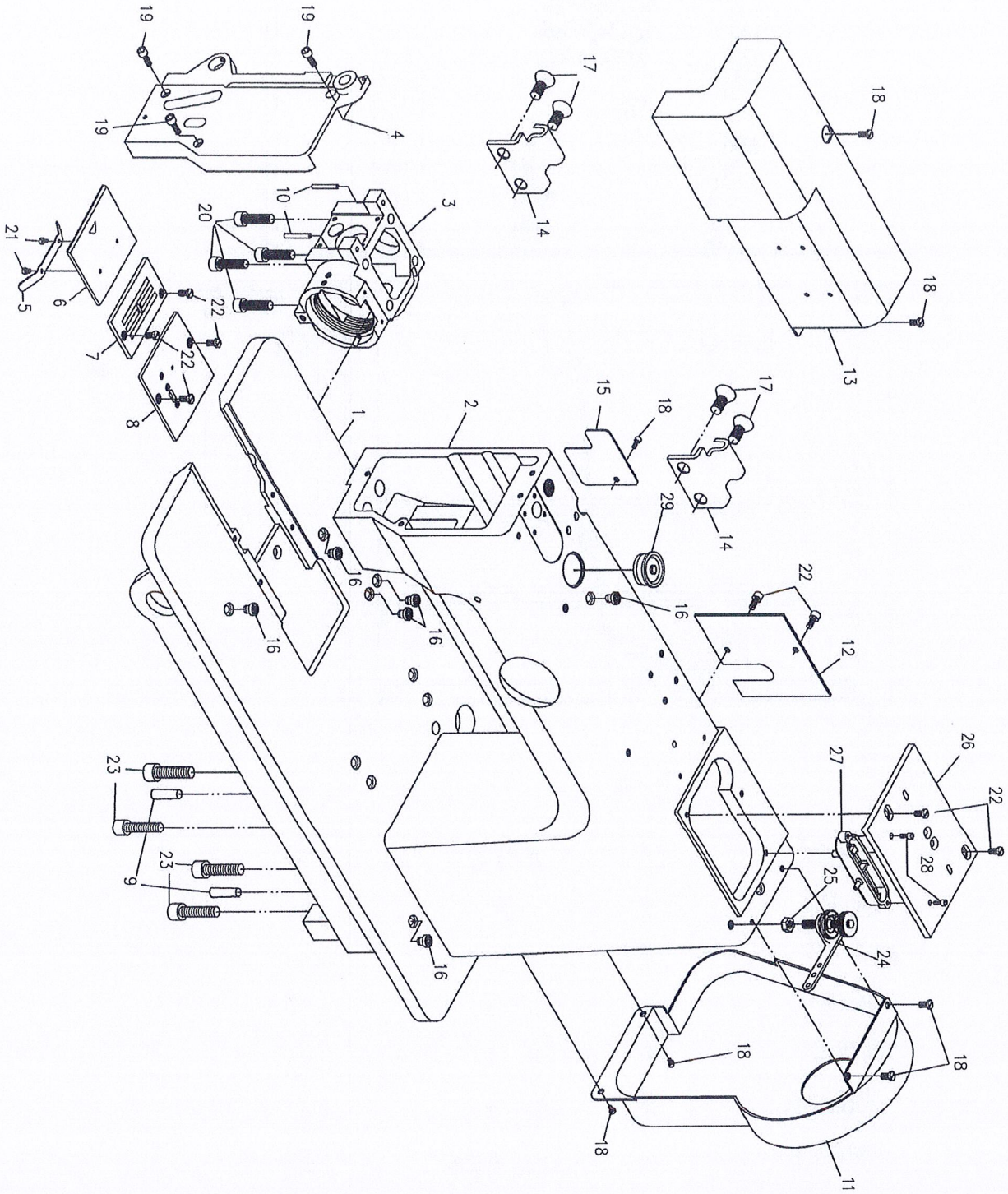
GA204-105A 整机平面图



附件

绕线器	1套	接油盘	1个
线架	1套	大开刀	1个
合页	2套	小开刀	2个
胶垫	4个	油壶	1个
脚踏板	1个	机针	1包
脚踏板支座	2个	梭芯	5个
脚踏板螺栓	4个	内六角扳手	1套

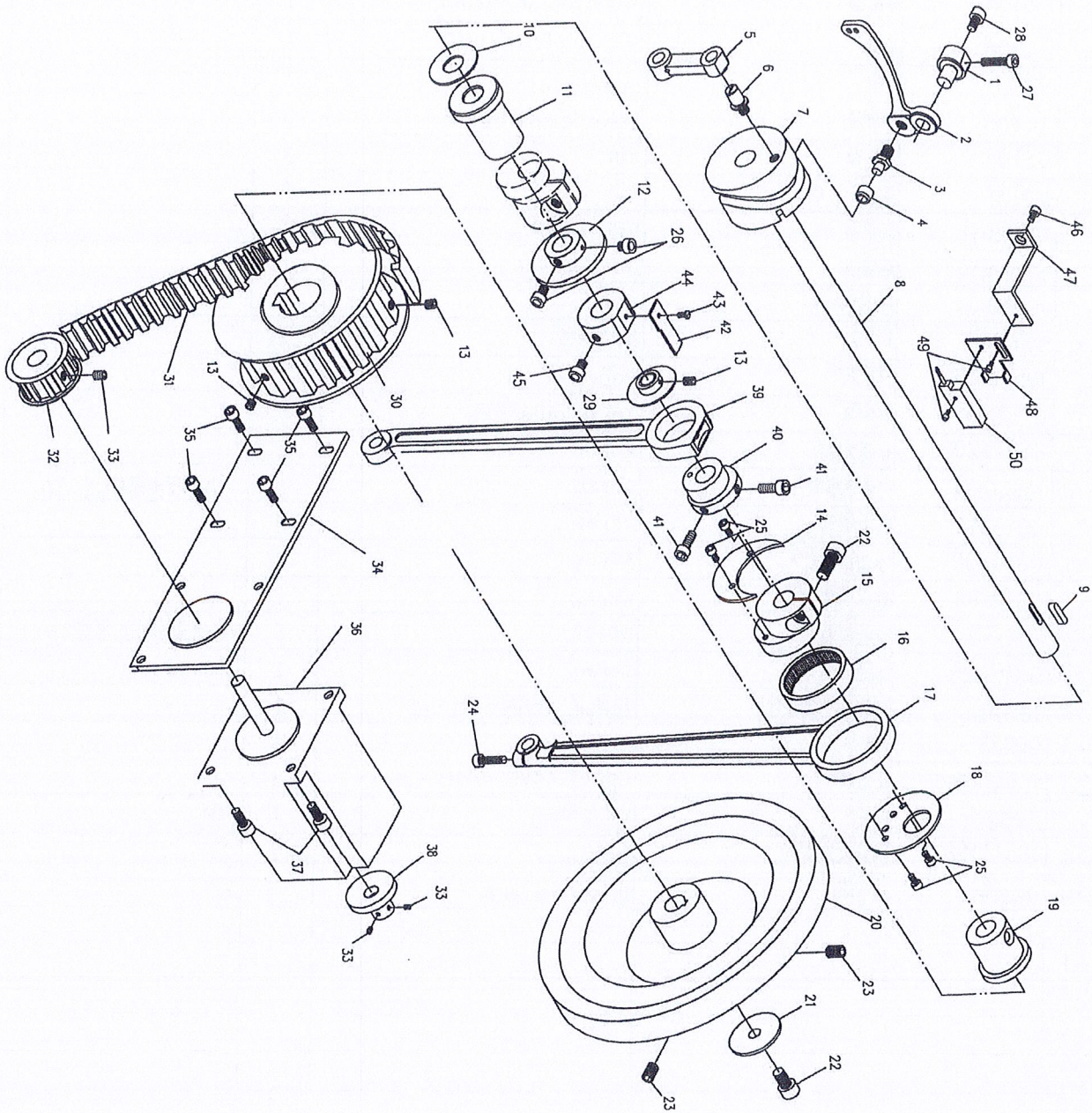
一. 机壳组件



一、机壳组件

序号	零件件号	零件名称	Description	件数	备注
1	105A0101	底板	bottom plate	1	204-104改制
2	105A0102	机壳	head case	1	204-104改制
3	F0103	梭床座(箱体)	base of shuttle bed	1	
4	105A0104	前盖	face plate	1	
5	GW100	推板簧	push pedal spring	1	
6	GK205	推板	sliding plate(left)	1	
7	H0107	针板	needle plate	1	
8	GK206	连接板	connection board	1	
9	GS105	机壳销	pin	2	
10	M0131	箱体定位销	pin	2	
11	105A0111	皮带罩	belt hood	1	
12	105A0112	后盖板	back cover	1	
13	105A0113	转针电机罩	hood	1	
14	GXR222	合页2	hinge 2	2	
15	105A0115	侧盖板	cover	1	
16	GK209A	小油堵	small oil scal	7	
17	GS17520	合页2螺钉	screw	4	
18	105A0118	皮带罩螺钉	screw	9	一字圆柱头螺钉M4-10
19	GS13316	前盖螺钉	screw	3	
20	GS13530	小箱体螺钉	screw	4	
21	GS12104	推板簧螺钉	screw	2	
22	GS172	针板螺钉	screw	9	一字球面圆柱头螺钉M5-11
23	GS13635	机壳螺钉	screw	4	
24	1070131	绕线器夹线组件	tensin threed stand	1	
25	GL203	螺母	nut	1	
26	105A0126	上盖板	upper cover plate	2	
27	GK203	油盒	oil box	1	204
28	105A0128	油盒固定螺钉	screw	2	204
29	GK208	大油堵	llarge oil scal	1	221
30					
31					
32					
33					
34					
35					
36					
37					
38					
39					
40					
41					
42					
43					
44					

二. 上轴、挑线组件

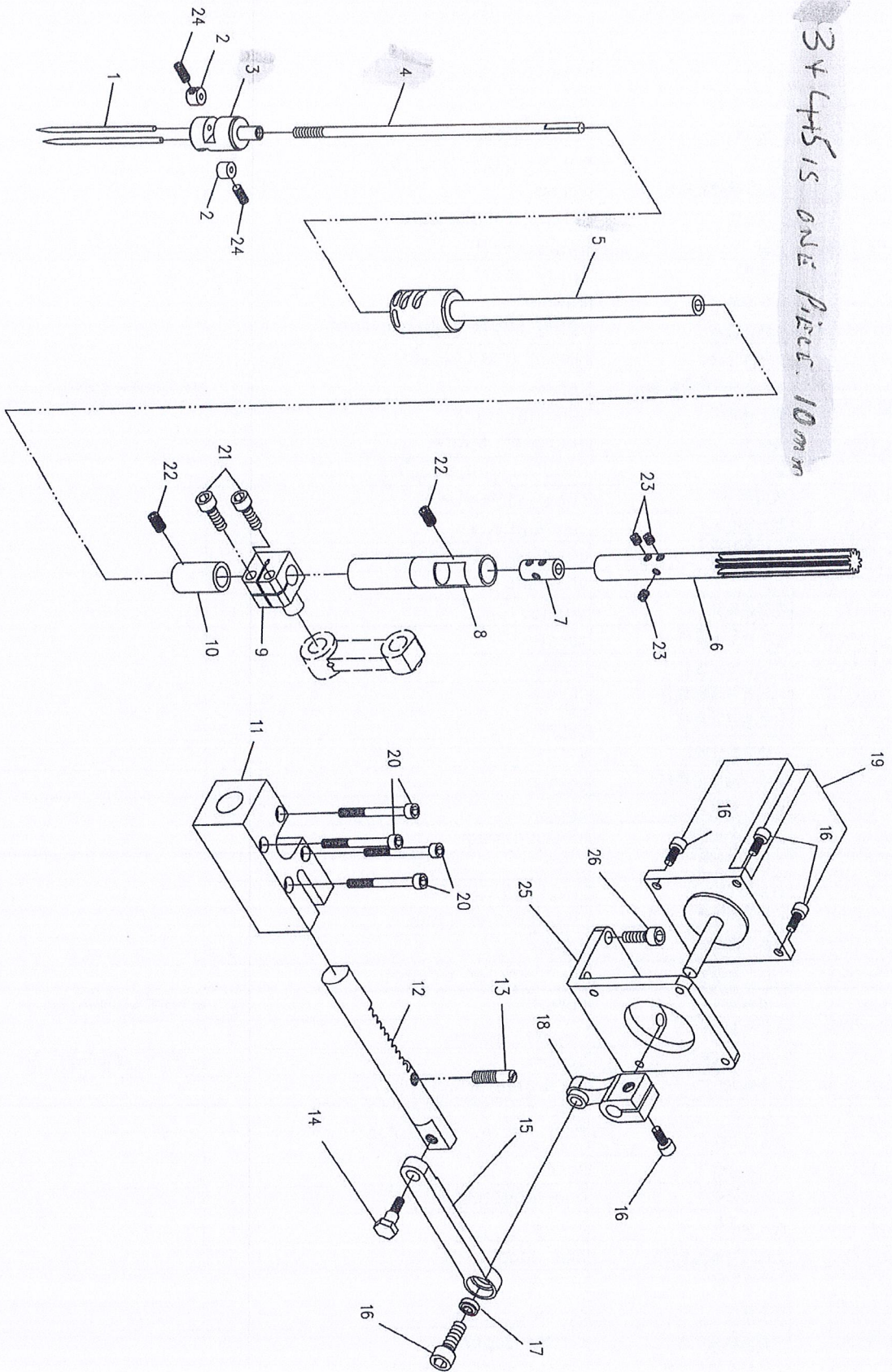


(二)、上轴、挑线组件

序号	零件件号	零件名称	Description	件数	备注
1	M0213	挑线杆轴	raising thread axle	1	
2	M0212	挑线杆	thread take-up leve	1	
3	GZ105	挑线滚轮轴	roller shaft screw	1	
4	GU100	挑线滚轮	roller shaft	1	
5	M0217	针杆连杆	small connecting rod	1	
6	GX100	挑线凸轮连杆销钉	screw	1	
7	M0202	挑线凸轮	raising thread cam	1	
8	105A0208	上轴	upper shaft	1	
9	GK216	上轴键	upper shaft key	1	
10	GS215	前轴套垫片	washer	1	
11	G0109	上轴前轴套	upper shaft bushing front	1	
12	GP112	主动摩擦轮	driving frictioning rod	1	
13	105A0229	上轴齿形带轮紧固螺钉	screw	3	内六角凹端紧固螺钉M6-10
14	GK237	偏心档片B	side plate(B)	1	
15	G0129	偏心套	eccentric sleeve	1	
16	HK4512	轴承	needle roller bearing	1	
17	M0229	大连杆体	coconnecting rod	1	
18	GK263	偏心档片A	side plate(A)	1	
19	G0107	上轴后轴套	upper shaft bushing rear	1	
20	105A0220	上轮	on turns	1	
21	GK207	皮带轮垫片	washer	1	
22	GS13540	皮带轮安全螺钉	screw	1	
23	GS11516	皮带轮紧固螺钉	screw	2	
24	GS13316	大连杆体紧固螺钉	screw	1	
25	GS13208	偏心套档片螺钉	screw	2	
26	GS13410	主动摩擦轮螺钉	screw	1	
27	GS13440	挑线杆轴紧固螺钉	screw	1	
28	GS13412	挑线杆轴螺钉	screw	1	
29	105A0229	抬牙偏心套挡圈	blocking ring	1	
30	105A0230	上轴齿形带轮	pricipal axis wheel	1	
31	105A0231	齿形带	in-phase belt	1	
32	105A0232	主轴电机带轮	electromotor wheel	1	
33	105A0233	带轮紧固螺钉	screw	2	
34	105A0234	主轴电机安装板	electromotor support	1	
35	105A0235	安装板螺钉	screw	4	内六角圆柱头螺钉M6-16
36	105A0236	主轴电动机	eleectromotor	1	
37	105A0237	电机安装螺钉	screw	4	内六角圆柱头螺钉M5-16
38	105A0238	主电机手轮	electromotor wheel	1	
39	M0221	抬牙连杆	feed dog lift connecting rod	1	
40	M0222	抬牙偏心套	feed dog lift eccentric	1	
41	GS13420	偏心套螺钉	screw	2	
42	1070222	上轴感应铁	iron inductor	1	
43	GS12206	感应铁螺钉	screw	1	
44	1070220	上轴感应铁固定环	fixer loop	1	
45	GS13412	固定环螺钉	screw	2	
46	GS13310	支座螺钉	screw	1	
47	1070240	上轴感应器支座	sensor support	1	
48	1070242	上轴感应器固定架	sensor rivet support	1	
49	GS13108	传感器螺钉	screw	1	内六角圆柱头螺钉M3-4
50	1070243	传感器	sensor	1	
51					
52					
53					

三. 针杆组件

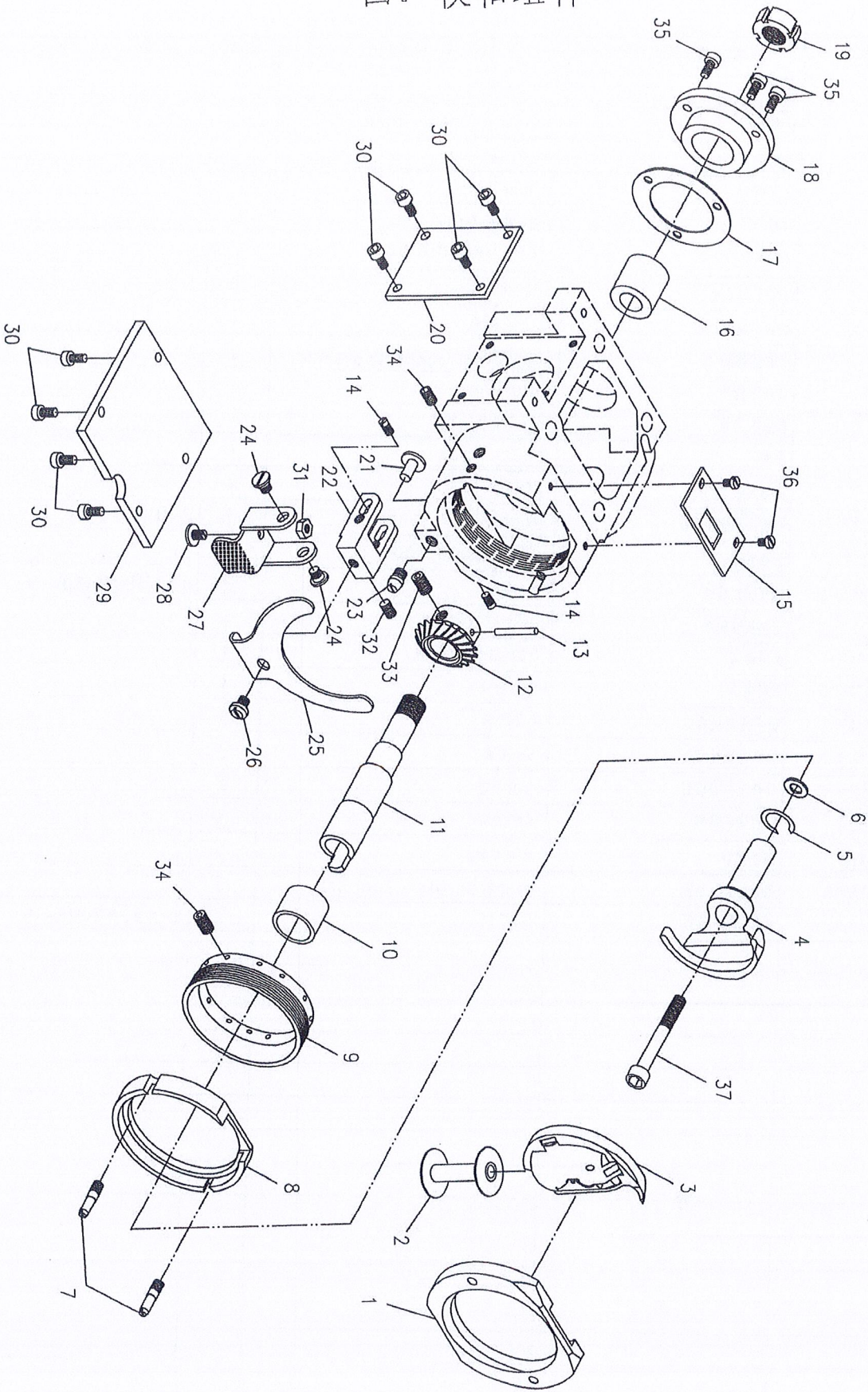
344515 ONE PIECE 10mm



三、针杆组件

序号	零件件号	零件名称	Description	件数	备注
1	DYx3	机针	needle	2	
2	H0302	针夹芯	needle clamp core	2	
3	H0303	针夹	needle clip	1	
4	H0304	针杆内芯	inner bar	1	
5	H0305	针杆	needle bar	1	
6	H0306	齿轮针杆	gear needle bar	1	
7	H0307	齿轮针杆内套	bushing	1	
8	105A0308	针杆上衬套	bushing	1	
9	GH118	针杆连接轴	needle bar connecting shaft	1	
10	M0304	针杆下衬套	bushing	1	
11	H0311	齿条固定块	fixed block	1	
12	H0312	齿条	teeth rack	1	
13	H0313	齿条定位螺钉	screw	1	
14	810-1613	松线杠杆轴位螺钉	screw	1	810
15	105A0315	转针连杆	connecting rod	1	
16	105A0316	连杆固定螺钉	screw	6	内六方圆柱头螺钉M6-16
17	M0623	连接板球轴承	bearing	1	
18	105A0318	转针曲柄	needle crank	1	
19	105A0319	摆针电机	screw	1	
20	GS13240	齿条固定块螺钉	screw	4	
21	GS13316	针杆连接轴螺钉	screw	2	
22	GS11306	针杆上衬套螺钉	screw	2	
23	GS11204	针杆内芯螺钉	screw	3	
24	GS11210	顶针螺钉	screw	2	
25	105A0325	摆针电机安装座	electromotor support	1	
26	105A0326	安装座固定螺钉	screw	2	内六方圆柱头螺钉M5-16
27					
28					
29					
30					
31					
32					
33					
34					
35					
36					
37					
38					
39					
40					
41					
42					
43					
44					

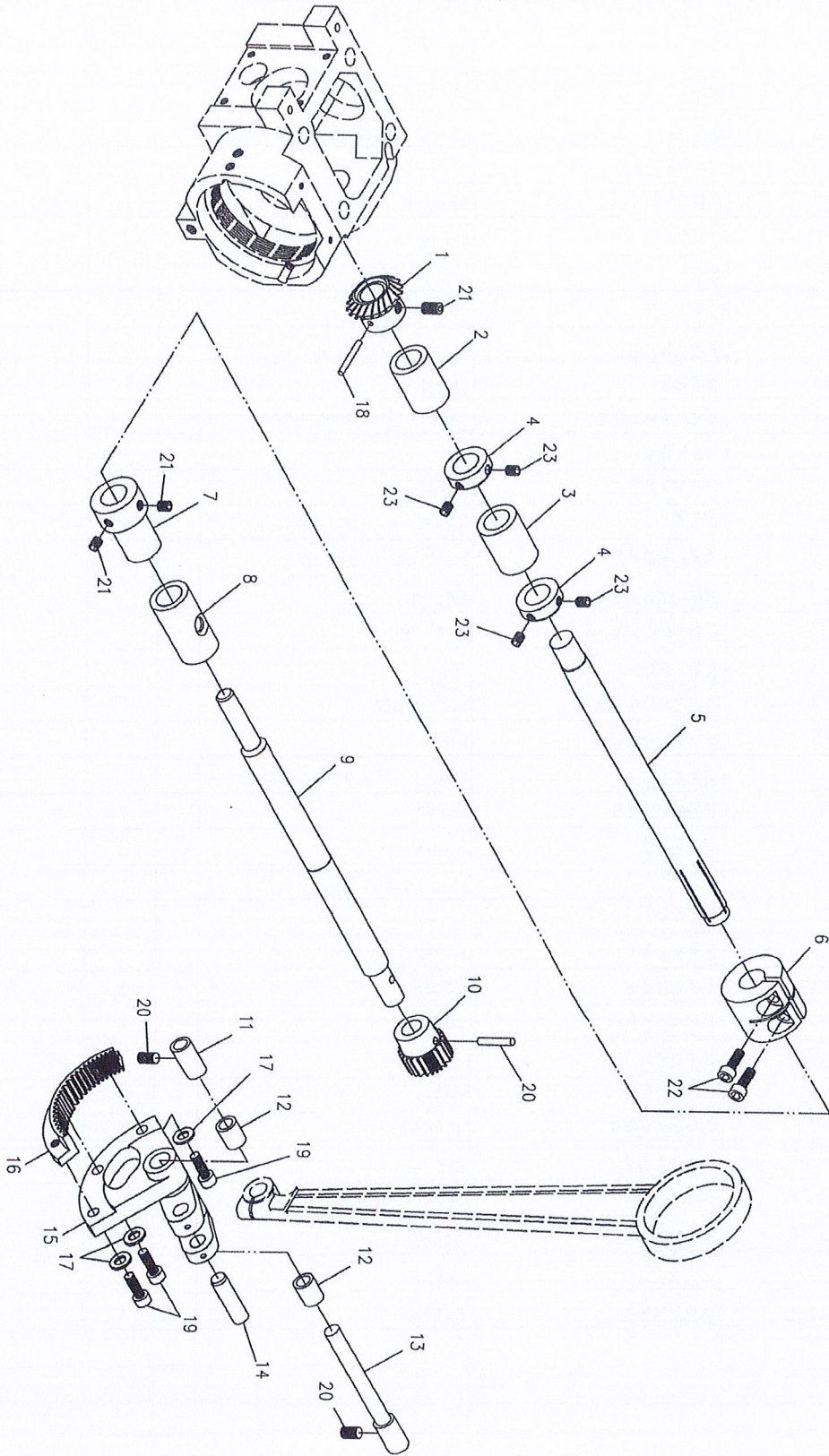
四. 梭轴组件



四、梭轴组件

序号	零件件号	零件名称	Description	件数	备注
1	F0401	梭床盖	bobbin bed cover	1	
2	GN116	梭心	bobbin	1	
3	GN111/9	摆梭	shuttle hook	1	
4	M0405	摆梭托	swinging shuttle support	1	
5	M0406	摆梭托限位垫片	washer	3	厚: 0.2、0.3、0.5选配
6	M0407	限位螺钉垫片	washer	1	
7	M0408	梭床螺钉	screw	2	
8	F0408	梭床	bobbin bed	1	
9	M0410	梭床定位套	shuttle set	1	
10	M0412	摆梭托轴前轴套	front shaft bushing	1	
11	M0413	摆梭托轴	shaft	1	
12	M0414	螺旋伞齿轮(右旋)	right helix bevel gear	1	
13	M0415	伞齿轮锥销	pin	1	
14	GX110	压紧架转轴螺钉	screw	2	
15	F0415	护针挡片	needle protecting board	1	
16	M0419	摆梭托轴后轴套	back shaft bushing	1	
17	M0420	摆梭托轴后大垫	washer	1	
18	M0421	摆梭托轴后定位大套	bushing	1	
19	M0423	摆梭托轴螺母	nut	1	
20	M0424	梭床座箱体左侧盖	side plate	1	
21	GX108	压紧架轴位销钉	pin	1	
22	GK241	梭床压紧架	bobbin bed press stand	1	
23	GX109	压紧架轴位螺钉	screw	1	
24	GX112	扳手转轴螺钉	screw	2	
25	GW111	压盖簧	ring-pressing spring	1	
26	GX117	压盖簧螺钉	screw	1	
27	GK243	压紧架扳手	press stang spanner	1	
28	GX113	扳手轴位螺钉	screw	1	
29	M0437	梭床座箱体底板	cover	1	
30	GS13210	底盖板螺钉	screw	8	
31	GL203	扳手轴位螺母	nut	1	
32	GS102	压紧架紧定螺钉	screw	1	
33	GS11406	伞齿轮紧固螺钉	screw	1	
34	GS11306	梭床紧固螺钉	screw	2	
35	GS13216	定位大套螺钉	screw	3	
36	GS12104	护针板螺钉	screw	2	
37	GS13460	梭托限位螺钉	screw	1	
38					
39					
40					
41					
42					
43					
44					

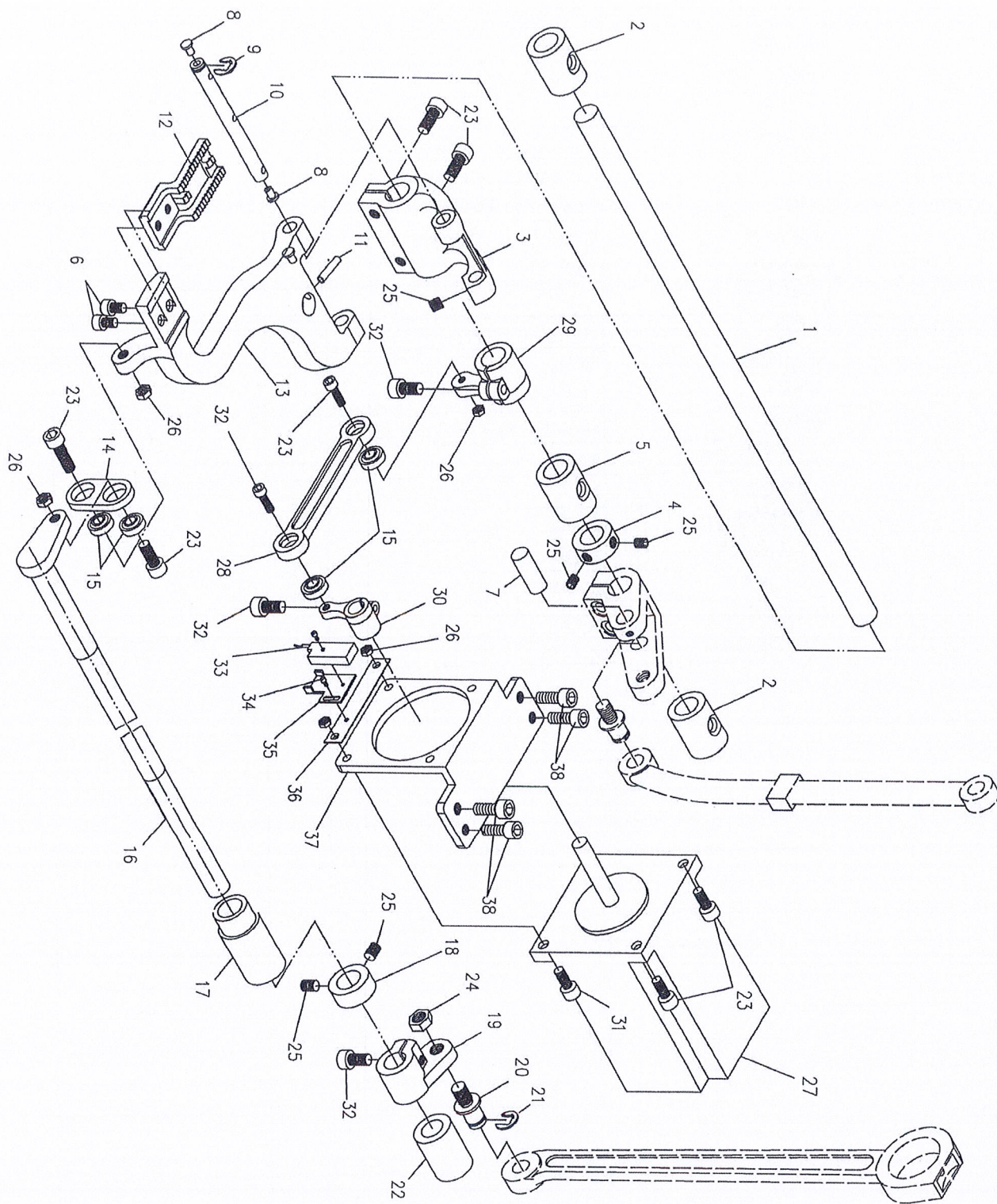
五. 下轴、摆轴组件



五、下轴、摆轴组件

序号	零件件号	零件名称	Description	件数	备注
1	M0501	螺旋伞齿轮(左旋)	left helix bevel gear	1	
2	M0504	下轴 前轴套	front shaft bushing	1	
3	M0505	下轴 后轴套	back shaft bushing	1	
4	M0506	下轴 挡圈	biocking ring of lower shaft	2	
5	M0508	下轴	lower shaft	1	
6	M0509	下轴紧圈	tight ring of lower shaft	1	
7	M0512	下轴1挡圈	biocking ring of lower shaft	1	
8	M0513	下轴1后轴套	back shaft bushing	1	
9	GZ112	下轴1	lower shaft(1)	1	
10	GP107	下轴小齿轮	small gear of lower shaft	1	
11	G0130	下摆轴轴套	bushing	1	
12	G0132	下摆轴架小套	bushing	2	
13	M0522	下摆轴	swinging shaft	1	
14	GZ128	大连杆销轴	shaft	1	
15	M0524	摆轴架	pendulum axle stand	1	
16	GP106	扇形齿轮	pendulum axle fan-shaped gear	1	
17	M0519	扇形齿轮螺钉垫圈	washer	3	
18	M0415	小齿轮锥销	pin	2	
19	GS13318	扇形齿轮紧固螺钉	screw	3	
20	GS10414	下摆轴轴套螺钉	screw	2	
21	GS11406	下轴1挡圈螺钉	screw	3	
22	GS13416	下轴紧圈螺钉	screw	2	
23	GS11306	下轴 挡圈螺钉	screw	4	
24					
25					
26					
27					
28					
29					
30					
31					
32					
33					
34					
35					
36					
37					
38					
39					
40					
41					
42					
43					
44					

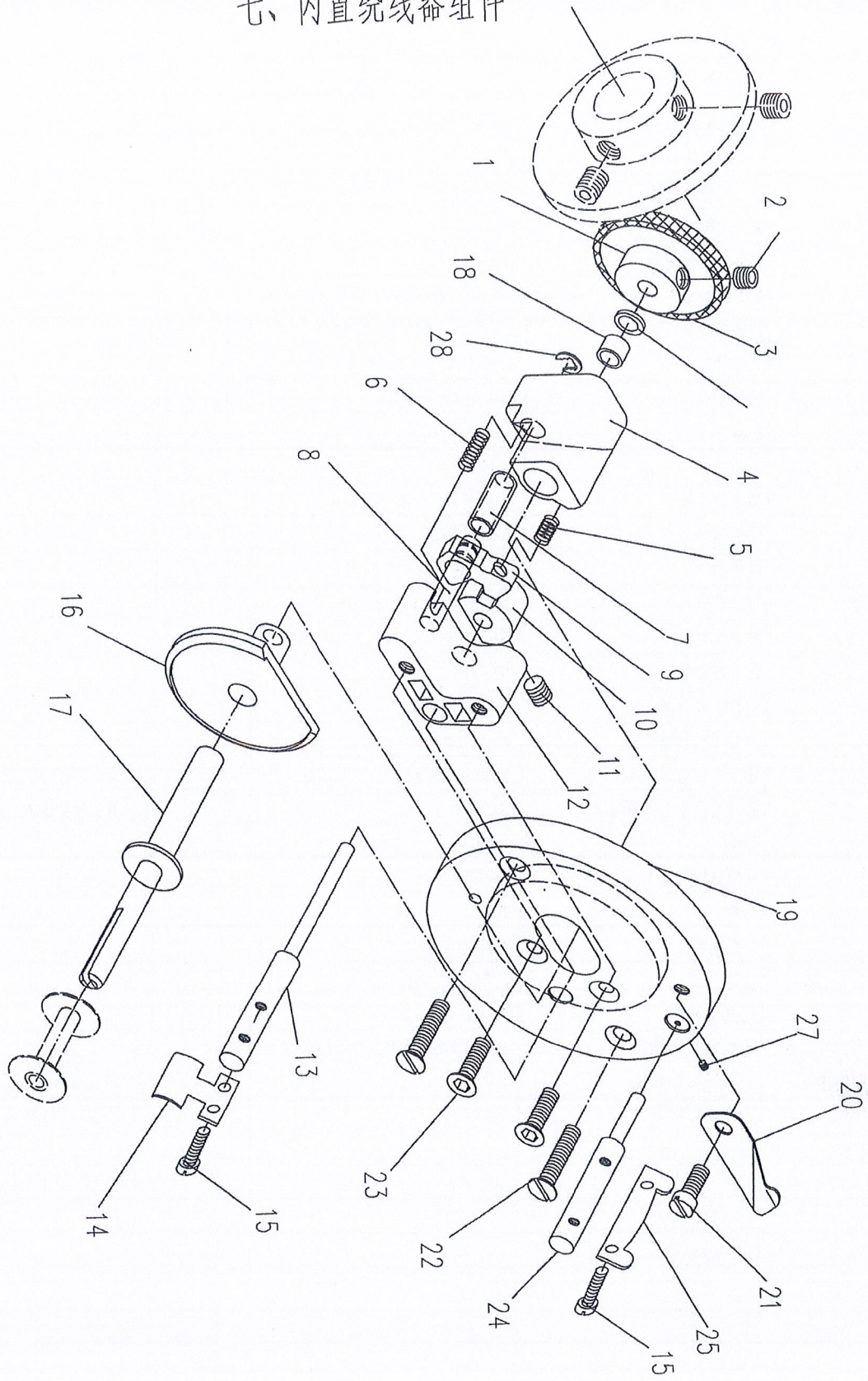
六. 抬牙、送料组件



六、拾牙、送料组件

序号	零件件号	零件名称	Description	件数	备注
1	M0601	下送料轴	bottom feeding shaft	1	
2	M0602	下送料轴后轴套	back bushing of feeding shaft	2	
3	M0604	下送料前曲柄	front feeding cronk	1	
4	M0605	下送料轴挡圈	blocking ring of feeding axle	1	
5	M0607	下送料轴前轴套	front bushing of feeding shaft	1	
6	GS13308	送料牙螺钉	screw	1	
7	GZ128	送料后曲柄销轴	pin shaft	1	
8	M0614	牙架轴油堵	small oil seal	1	
9	M0615	牙架轴卡簧	E-shaped snap spring	1	
10	M0616	牙架轴	shaft of tooth-shelf	1	
11	M0617	过油管	oil pipe joint	1	
12	H0612	送料牙	feed dog	1	
13	M0621	牙架	shelf	1	
14	M0624	拾牙连接板	connection board	1	
15	M0623	连接板球轴承	bearing	4	
16	M0627	拾牙轴	tooth-lifting axle	1	
17	M0626	拾牙轴前轴套	front shaft bushing	1	
18	M0605	拾牙轴挡圈	lifting tooth axle retaing ring	1	
19	M0628	拾牙后曲柄	crank	1	
20	M0631	拾牙连杆销轴	pin shaft	1	
21	M0632	拾牙连杆销轴卡簧	E-shaped snap spring	1	
22	M0625	拾牙轴后轴套	back shaft bushing	3	
23	GS13416	拾牙后曲柄紧固螺钉	screw	8	内六方圆柱头螺钉M6-16
24	M0630	螺母	nut	1	
25	GS11406	挡圈螺钉	screw	2	
26	M0620	螺母	nut	4	
27	105A0627	送料电机	eletromotor	1	
28	105A0628	送料连杆	connecting rod	1	
29	105A0629	送料曲柄	feeding cronk	1	
30	105A0630	送料电机曲柄	eletromotor feeding cronk	1	
31	105A0631	电机安装长螺钉	screw	2	内六方圆柱头螺钉6-25
32	105A0632	曲柄紧固螺钉	screw	3	内六方圆柱头螺钉M6-12
33	1070243	传感器	sensor	1	107
34	105A0634	传感器螺钉	screw	2	内六方圆柱头螺钉M3-4
35	1070242	感应器固定架		1	107
36	105A0636	感应器支板		1	
37	105A0637	送料电机座	eletromotor support	1	
38	105A0638	电机座螺钉	screw	4	内六方圆柱头螺钉6-20
39					
40					
41					
42					
43					
44					

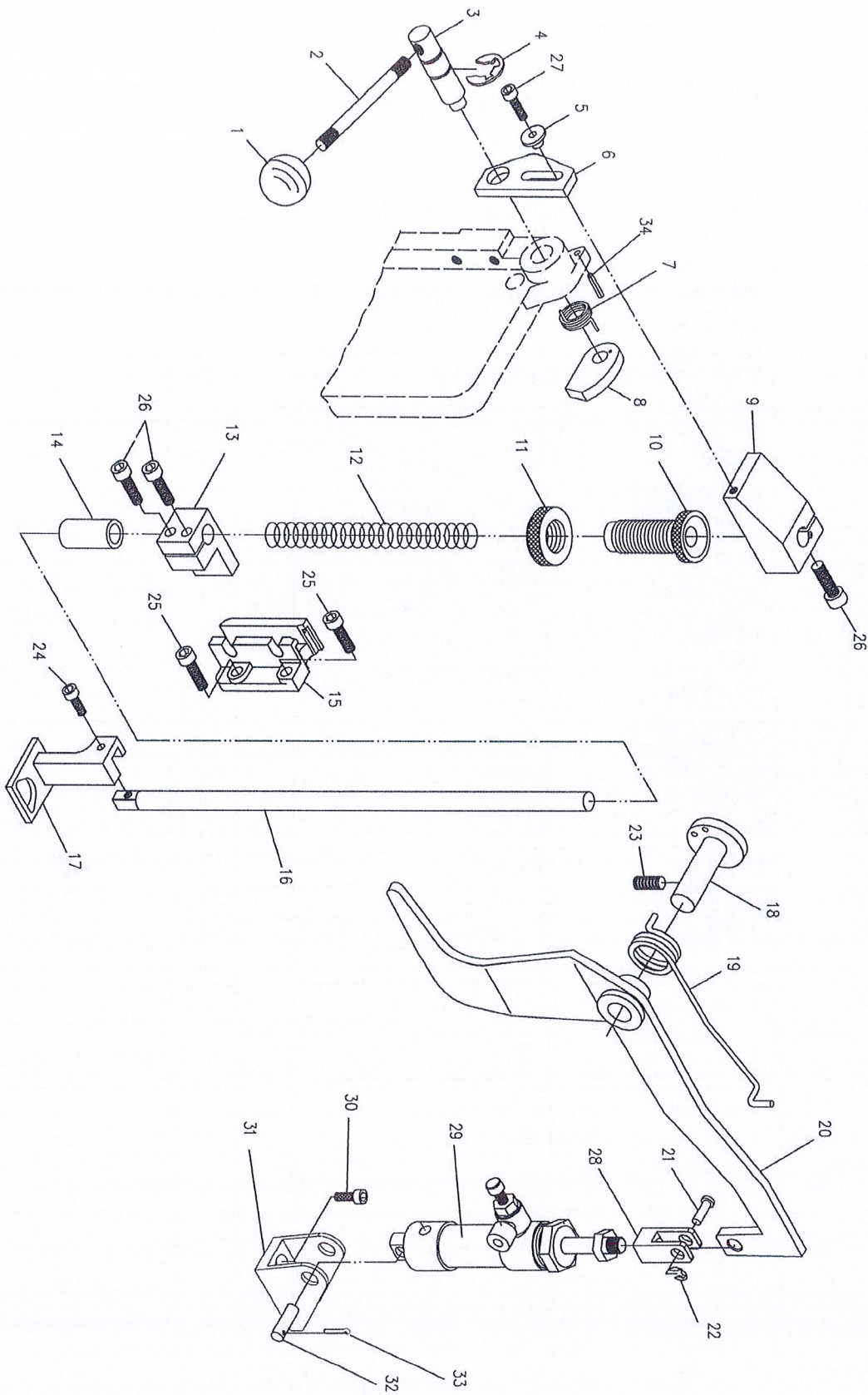
七、内置绕线器组件



七、内置绕线器组件

序号	零件件号	零件名称	Description	件数	备注
1	EL0918	被动摩擦轮胶圈	rubber ring	1	
2	GS11306	被动摩擦轮紧定螺钉	screw	1	
3	FL0920	被动摩擦轮	driven friction wheel	1	
4	EL0921	绕线压力板座	thread coiling presser plate seat	1	
5	FL0922	压力弹簧2	presser spring 2	1	
6	EL0923	压力弹簧1	presser spring 1	1	
7	EL0925	压力板小套	presser plate small bushing	1	
8	EL0924	压力板芯轴	presser plate shaft	1	
9	EL0926	绕线压力板	thread coiling presser plate	1	
10	FL0927	绕线控制板	thread coiling controller plate	1	
11	GS11305	绕线控制板顶丝	screw	1	
12	FL0929	绕线控制板座	thread coiling controller plate seat	1	
13	1070913	满线跳板轴	full reel springboard shaft	1	
14	1070914	满线跳板	full reel springboard	1	
15	GS13112	满线跳板调整螺钉	regulate screw	4	
16	EL0933	压力板座底盘	presser plate base dial	1	
17	1070917	梭心轴	bobbin shaft	1	
18	EL0941	绕线压力板座套	thread coiling presser plate washer	1	
19	EL0936	绕线器接盘	bobbin winder connecting dial	1	
20	FL0937	小剪刀	small scissors	1	
21	GS13208	小剪刀紧固螺钉	screw	2	
22	GS17212	绕线器接盘螺钉	screw	2	
23	GS16210	绕线器接盘螺钉	screw	2	
24	1070924	排线板轴	shaft	1	
25	1070925	排线板	plate	2	
26	D-05	摩擦轮平垫	washing	2	
27	GS11105	排线轴紧定螺钉	screw	2	
28	E-04	开口挡圈	E-type	1	
29					
30					
31					
32					
33					
34					
35					
36					
37					
38					
39					
40					
41					
42					
43					
44					

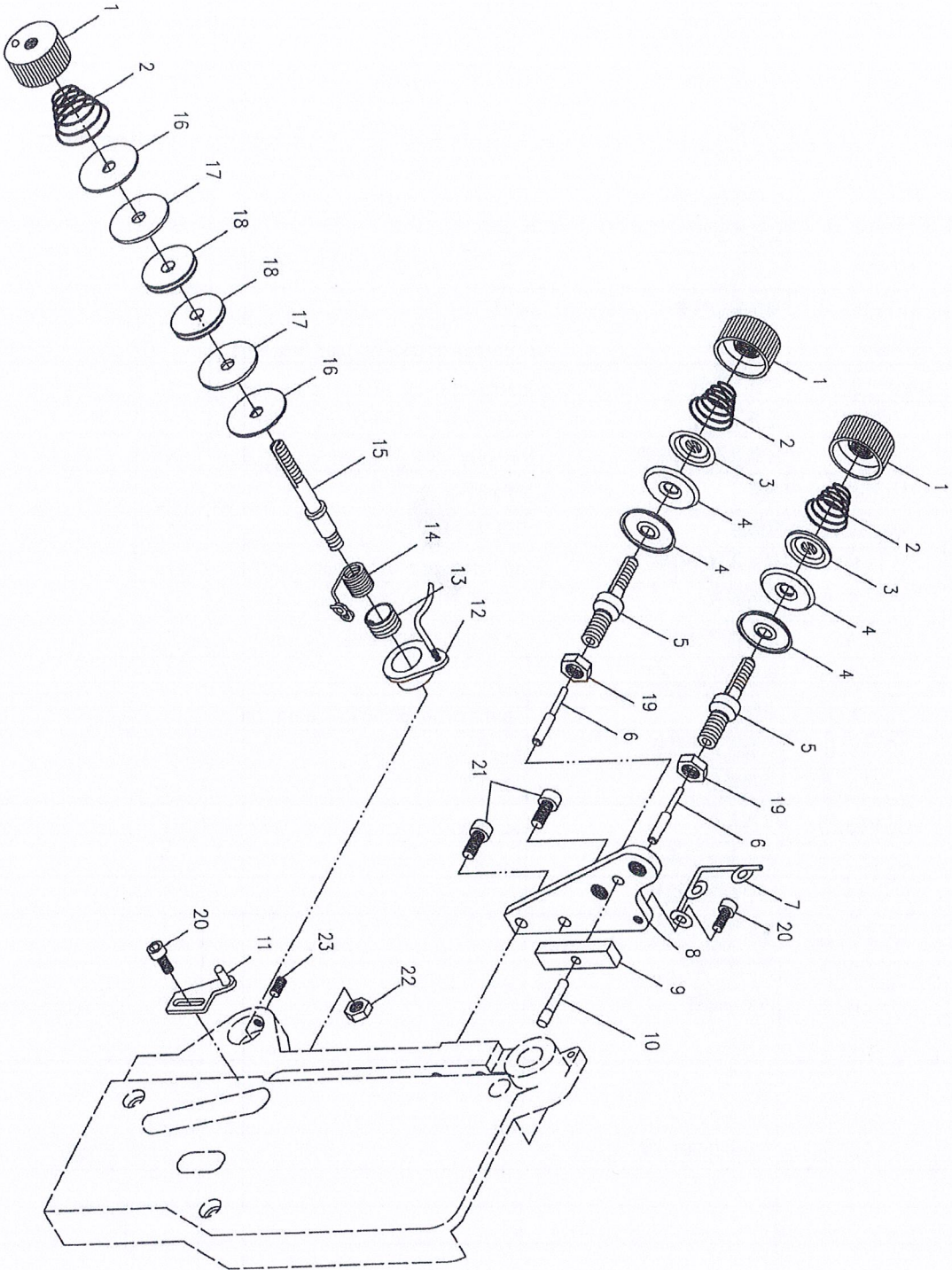
八. 压杆、抬压脚组件



八、压杆、抬压脚组件

序号	零件件号	零件名称	Description	件数	备注
1	GZS139	抬压手柄球	uplifting presser handle ball	1	
2	GZ138	提升手柄杆	uplifting handle bar	1	
3	M0805	抬压手柄轴	shaft	1	
4	GW211	抬压手柄轴卡簧	uplifting handle axle jump ring	1	
5	M0804	松线板连接套	thread loosening	1	
6	M0803	松线板2	thread releasing plate(2)	1	
7	GW217	提升压脚簧	uplifting presser spring	1	
8	M0802	抬压脚偏心片	eccentric slice	1	
9	M0312	抬压脚顶块	block	1	
10	GZ125	调压螺钉	pressure regulated screw	1	
11	M0314	调压锁紧螺母	nut	1	
12	GW201	压杆大簧	spring presser bar spring	1	
13	M0310	压杆定位块	setting block of pressing rod	1	
14	M0307	压杆下衬套	pressing rod lower bushing	1	
15	GK226	压脚升降定位滑道	presser lifting locating slideway	1	
16	M0309	压杆	presser bar	1	
17	105A0817	内压脚	presser foot	1	
18	GE141	提升压脚杠杆轴	uplifting presser lever shaft	1	
19	GW212	杠杆扭簧	lever torsional sloring	1	
20	GK264	提升压脚杠杆	uplifting presser lever	1	
21	105A0821	抬压脚气缸接头肖	lpen	1	
22	105A0822	卡簧 $\phi 4$	upliting handle axle jump ring	1	
23	GS11410	杠杆轴紧固螺钉	screw	1	
24	GS13210	压脚螺钉	screw	1	
25	GS13325	滑道螺钉	screw	2	
26	GS13320	定位块紧固螺钉	screw	2	
27	GS13216	杠杆轴紧固螺钉	screw	1	
28	105A0828	抬压脚气缸接头		1	
29	105A0829	抬压脚气缸		1	
30	105A0830	小支架螺钉		2	内六方圆柱头M6-10
31	105A0831	小支架		1	
32	105A0832	圆柱肖		1	
33	105A0833	开口肖 $\phi 1.5$		1	
34	105A0834	提升手柄轴开口肖		1	同204
35					
36					
37					
38					
39					
40					
41					
42					
43					
44					

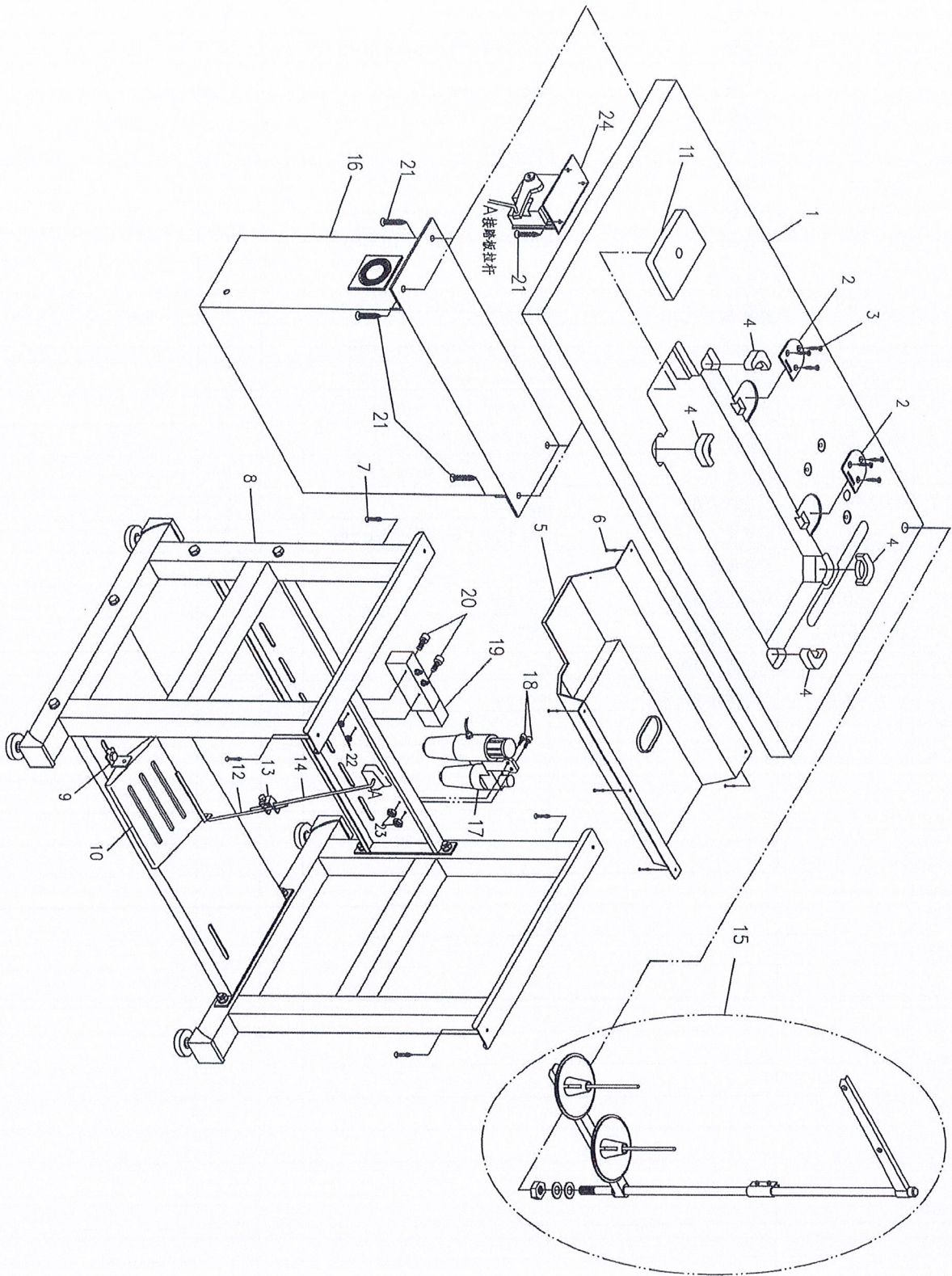
九. 夹线、过线组件



九、夹线、过线组件

序号	零件件号	零件名称	Description	件数	备注
1	GLS204	夹线螺母	tension nut	3	
2	GW115	夹线簧	spring	3	
3	GK232	松线板	thread releasing plate	2	
4	GK123	夹线板	tension plate	4	
5	GZ126	夹线螺钉	screw tension	2	
6	GX106	松线钉	loosen bolt	2	
7	M0408	过线圈	thread passing ring	1	
8	M0910	夹线架	thread tension rack	1	
9	M0911	松线板 ₁	thread releasing plate	1	
10	M0912	松线板销	pin	1	
11	GKS108	拨簧支架	drawing spring stand	1	
12	GKS107	过线器座	thread passing sead	1	
13	GC0814	挑线扭簧	thread take-up spring	1	
14	GC0818	挑线簧 ₁	thread take-up spring	1	
15	M0925	过线螺钉	screw tension	1	
16	GK233	过线板	thread passing plate	2	
17	GK234	过线轮毡圈	washer	2	
18	GP102	过线轮	thread passing wheel	2	
19	GL205	锁紧螺母	nut	2	
20	GS13208	拨簧支架螺钉	screw	2	
21	GS13316	松线架螺钉	screw	2	
22	M0913	过线螺钉锁母	nut	1	
23	GS11206	过线器座固定螺钉	screw	1	
24					
25					
26					
27					
28					
29					
30					
31					
32					
33					
34					
35					
36					
37					
38					
39					
40					
41					
42					
43					
44					

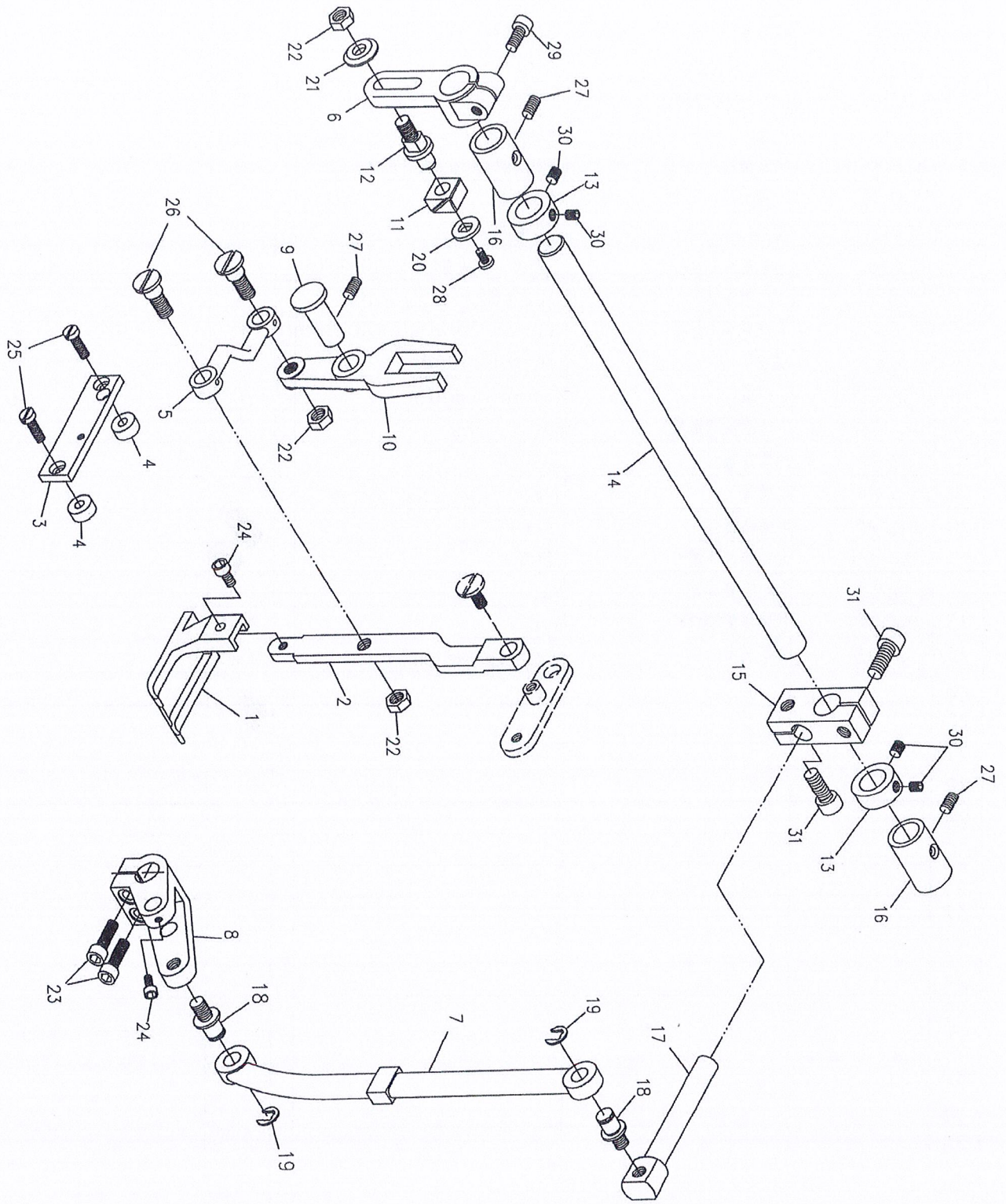
十. 机架组件



十、机架组件

序号	零件件号	零件名称	Description	件数	备注
1	GKR221	台板	table	1	
2	GKR200	合页1	hinge	2	
3	GC1005	合页螺钉	screw	6	
4	GC1004	机头胶垫	rupper cushion	4	
5	GKR216	接油盘	oil pan	1	
6	GBS112	接油盘紧固螺钉	screw	6	
7	GC1021	机架台板紧固螺钉	screw	4	
8	M1010	机架	stand	1	
9	GKR184	踏板轴座	footstep axle seat	4	
10	GKR182	大踏板	pedal	1	
11	105A1011	活板	pedal	1	
12	GKR116	电机离合下拉杆	lower rod of clutch motor	1	
13	GKR183	拉杆调节器	rod adjusting device	1	
14	GKR118	电机离合上拉杆	upper rod of clutch motor	1	
15	M1014	线架	thread stand	1	
16	105A1016	电控箱	electron control	1	
17	105A1017	空气油雾滤清器	air-oil filter	1	
18	GS13312	滤清器螺钉	screw	2	
19	105A1019	电磁阀	electromagnetisi valve	1	
20	GS13280	电磁阀螺钉	screw	2	
21	105A1021	电控箱自攻螺钉	screw	4	
22	GL204	电磁阀安装螺母	nut	2	
23	105A1023	滤清器安装螺母	nut	2	
24	105A1024	踏板开关	footstep switch	1套	
25					
26					
27					
28					
29					
30					
31					
32					
33					
34					
35					
36					
37					
38					
39					
40					
41					
42					
43					
44					

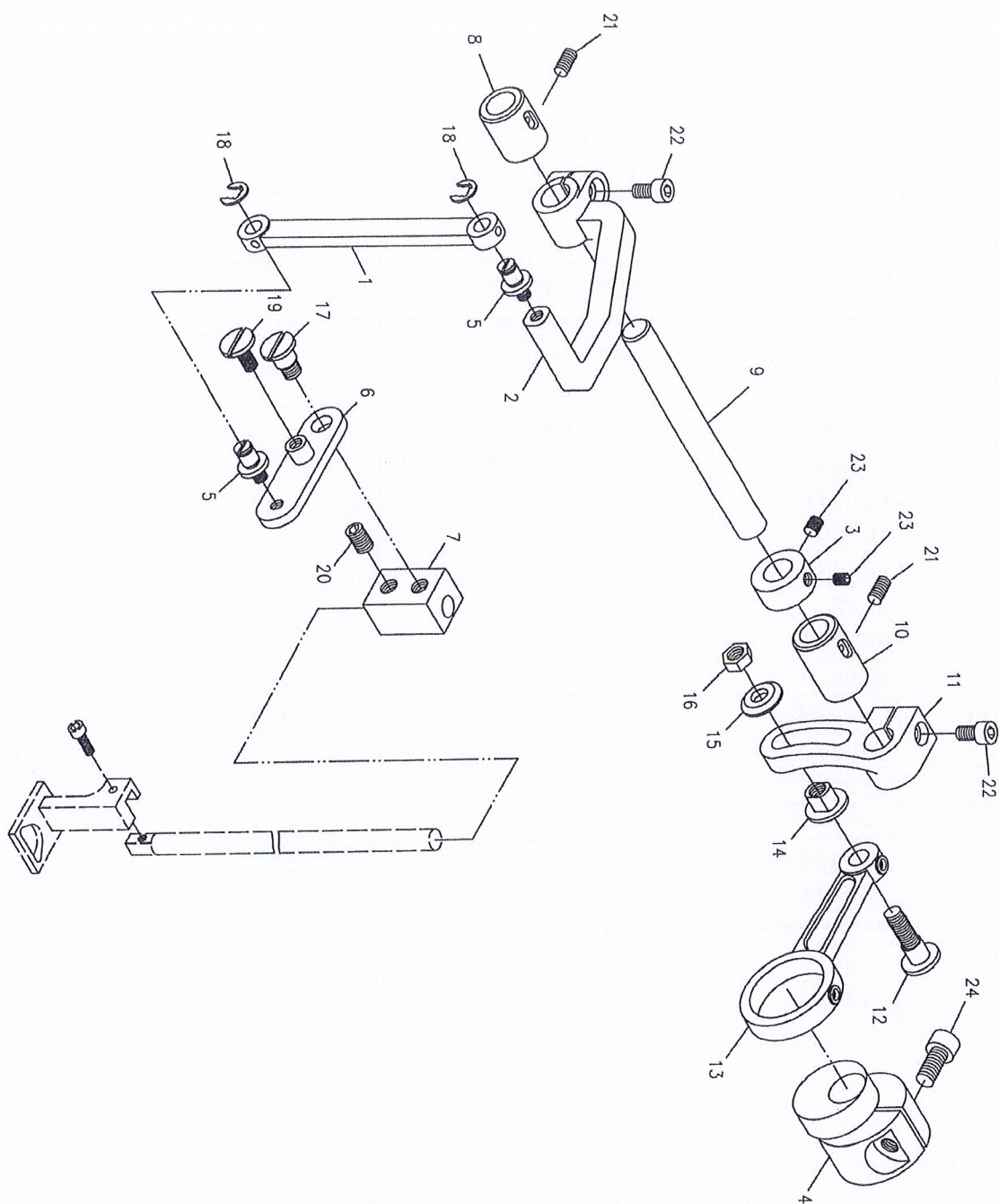
十一. 上送料组件



十一、上送料组件

序号	零件件号	零件名称	Description	件数	备注
1	1101	摆压脚	ABC	1	
2	SF1202	摆压脚杆	ABC	1	
3	SF1203	摆压脚导板	ABC	1	
4	SF1204	摆压脚导板垫	ABC	2	
5	SF1205	摆压脚小连杆	ABC	1	
6	SF1206	摆压脚前曲柄	front crank	1	
7	SF1207	上送料大连杆	connecting rod	1	
8	SF1208	送料后曲柄	back feeding cronk	1	
9	GX123	摆压脚叉形杆销	pin	1	
10	GH148	摆压脚叉形杆	fork-rod of swinging pressing foot	1	
11	GU119	摆压脚滑块	crakn slide block	1	
12	GU120	摆压脚滑块螺钉	screw of slide block of pre ssing foot	1	
13	GK255	上送料轴挡圈	upper feeding axle retainer axle	2	
14	GZ120	上送料轴	upper feeding axle	1	
15	GH152	上送料后曲柄座	upper feeding back crank seat	1	
16	GO124	上送料轴后轴套	upper feeding axle back axle sleeve	2	
17	GK254	上送料调整杆	upper feeding adjustment bar	1	
18	GZ133	上送料连接销	upper feeding connecting pin	1	
19	GW205	上送料连接销卡簧	puuer feeding connecting pin jump ring	2	
20	GU110	滑块垫圈	washer	1	
21	GR245	轴位螺钉垫圈	washer	1	
22	GL106	锁紧螺母	nut	1	
23	GS13420	送料后曲柄螺钉	screw	2	
24	GS13312	摆压脚螺钉	screw	1	
25	GS13318	摆压脚导板螺钉	screw	2	
26	GS180	叉形杆连接螺钉	screw	2	
27	GS11410	叉形杆销紧固螺钉	screw	3	
28	GS212	滑块紧固螺钉	screw	2	
29	GS13416	摆压脚前曲柄螺钉	screw	1	
30	GS11406	挡圈螺钉	screw	4	
31	GS13520	后曲柄座螺钉	screw	2	
32					
33					
34					
35					
36					
37					
38					
39					
40					
41					
42					
43					
44					

十二. 压脚升降组件



十二、压脚升降组件

序号	零件件号	零件名称	Description	件数	备注
1	105A1201	摆压脚升降连杆	large connecting rod	1	105A专用
2	105A1202	摆压脚升降前曲柄	pressing foot front crank	1	105A专用
3	SF1303	压脚升降轴挡圈	biocking ring	1	
4	105A1204	压脚升降偏心轮	presser foot lift cam	1	105A专用
5	SF1305	摆压脚升降连杆螺钉	screw	2	
6	SF1306	抬压脚摇板	pressing foot lifting rocking board	1	
7	SF1307	压杆升降滑块	sliding block	1	
8	G0127	压脚升降轴前轴套	pressing foot lifting shaft front sleeve	1	
9	GZ122	压脚升降轴	pressing foot lift shaft	1	
10	G0126	压脚升降轴后轴套	pressing foot lifting shaft back sleeve	1	
11	GH146	压脚升降调整后曲柄	pressing foot lifting adjusting back crank	1	
12	GS150	轴位螺钉	screw	1	
13	GD0606	压脚升降偏心轮连杆	arge pressing foot lifting connecting rod	1	
14	GL108	调整螺母	nut	1	
15	GR245	轴位螺钉垫圈	washer	1	
16	GL106	锁紧螺母	nut	1	
17	GS181	定位块摇板螺钉	screw	1	
18	GW206	开口挡圈	E-type	2	
19	GS153	摆压脚支点螺钉	screw	1	
20	GS10508	压杆升降滑块定位螺钉	screw	1	
21	GS11410	压脚升降轴前后轴套螺钉	screw	2	
22	GS13416	压脚升降曲柄螺钉	screw	2	
23	GS11406	升降轴挡圈螺钉	screw	2	
24	GS13520	偏心轮螺钉	screw	1	
25					
26					
27					
28					
29					
30					
31					
32					
33					
34					
35					
36					
37					
38					
39					
40					
41					
42					
43					
44					

