



GLOBAL

LP 9941-R / 9942-R

Instruction & parts manual

www.globalsew.com

info@globalsew.com

1. Safety Precautions

- 1) When turning the power on, keep your hands and fingers away from the area around the needle and the area around the pulley;
- 2) Power must be turned off when the machine is not in use, or when the operator leaves his seat;
- 3) Power must be turned off before tilting the machine head, installing or removing the "V" belt, adjusting the machine, or when replacing;
- 4) Avoid placing the fingers, hairs, bars etc., near the pulley, "V" belt, bobbin winder pulley, or motor when the machine is in operation;
- 5) Do not insert fingers into the thread take-up cover, the area under the needle, or pulley when the machine is in operation.

2. Precautions before Starting Operation

- 1) Do not operate the machine before filling the oil pan;
- 2) If the machine is lubricated by a drop oiler, never operate the machine before lubricating;
- 3) When a new sewing machine is first turned on, verify the rotational direction of the pulley with the power on; (The pulley should rotate counterclockwise when viewed from the pulley)
- 4) Verify the voltage and phase (single or three) with those given on the machine nameplate.

3. Precautions for Operating Conditions

- 1) Avoid using the machine at abnormally high temperature (35°C or higher) or low temperature (5°C or lower). Otherwise, machine failure may result;
- 2) Avoid using the machine in dusty conditions.

3) While operating the machine, check the condition of oil lubrication through the oil check window. The oil amount can be adjusted by oil adjustment screw. (Fig.15)

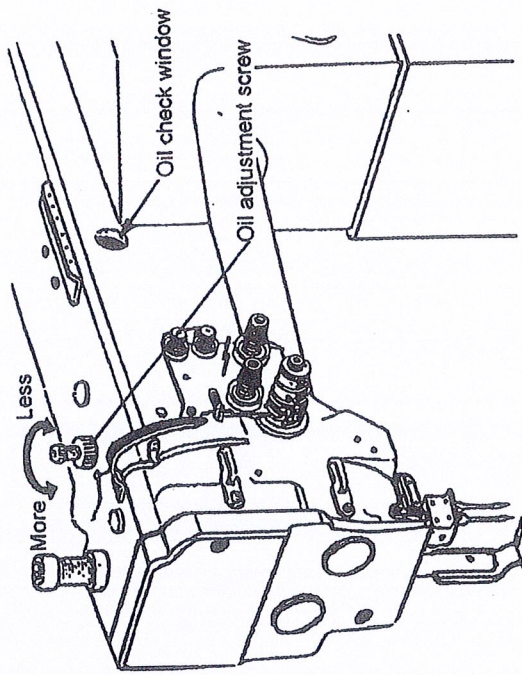


Fig.15

17. Lubrication (Fig.13, Fig.14, Fig.15):

- 1) Before starting operation, be sure to pour oil up to the position H of oil tank. If the oil below position L, replenish the oil supply up to position H. (Fig.13)

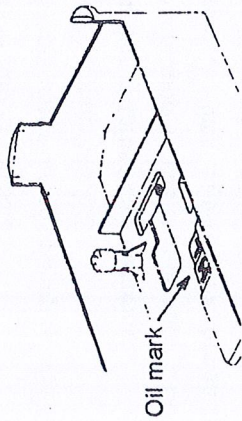


Fig.13

- 2) When a new sewing machine is first operated, or when a sewing machine which left out of use for a long period of time is operated, it will be necessary to oil through the oil holes after removing the rubber plugs shown below (the direction shown in arrows). (Fig. 14)

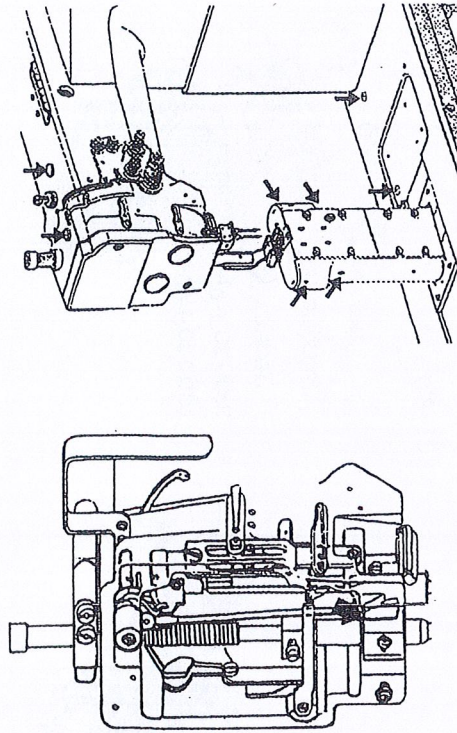


Fig. 14

4. Specifications

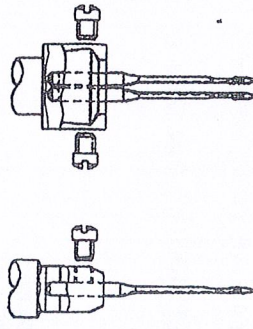
| Specifications | Model | LP 9941 R | LP 9942 R |
|--------------------------|---------|-----------------------|-----------|
| Sewing Material | | Medium-heavy material | |
| Max. Speed (rpm) | | 3000 | |
| Stitch Length (mm) | | 0-5 | |
| Needle Bar Stroke (mm) | | 33.4 | |
| Presser Foot Stroke (mm) | By Hand | 7.0 | |
| | By Knee | 13.0 | |
| Hook | | Standard Hook | |
| Stitch length adjustment | | Dial | |
| Lubrication System | | Automatic | |
| Needle | | DP×5 (14#-18#) | |
| Motor | | Clutch motor 370W | |
| Gauge (mm) | | 2.4 | ○ |

5. How to Attach Needle (Fig.1):

Note: Before using the following procedures, be sure to turn the power switch off.

- 1) Loosen the needle clamping screw;
- 2) Hold the needle to its side with the long groove side toward left, and insert it as deeply it will go into the needle clamping hole. (single needle);

Fig. 1



Hold the needles so that the two Needles side with the long grooved face To face, and insert it as deeply it will go into the needle clamping hole. (double needle);

- 3) Tighten the needle clamping screw.

6. How to Wind the Lower Thread (Fig. 2):

Strength of winding: Particularly in the case of nylon or polyester thread, wind the bobbin loosely.

Uneven winding: If the bobbin is wound unevenly, slide the thread guide toward the less wound portion of bobbin.

Winding amount: When the bobbin is wound excessively, loosen the adjusting screw. When the bobbin is wound insufficiently, tighten the adjusting screw.

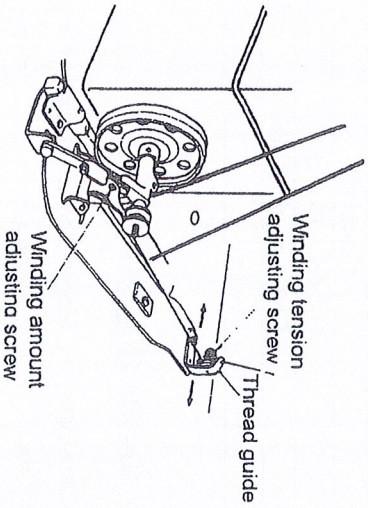
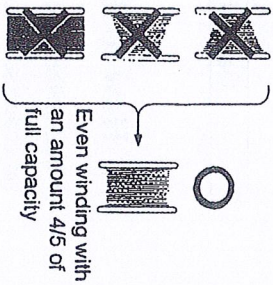


Fig. 2



16. Adjustment of the thread take-up spring (Fig. 12):

1) How to adjust amount of movement of thread take-up spring:

a. Adjustment of the left upper thread take-up spring ①: Loosen the screw ②, to adjust the stopper block ③.

b. Adjustment of the right upper thread take-up spring ④: Loosen the screw ⑤, to adjust the stopper block ⑥.

2) How to adjust strengthen of thread take-up spring:

a. Adjustment of the left upper thread take-up spring: Loosen the Nut ⑦ and the screw ①, then adjusting the thread tension stud. After adjustment, tighten Nut ⑦ and screw ①.

b. Adjustment of the right upper thread take-up spring: Loosen the set screw ⑨, and turn the Nut ⑩. After adjustment, tighten set screw ⑨ and Nut ⑩.

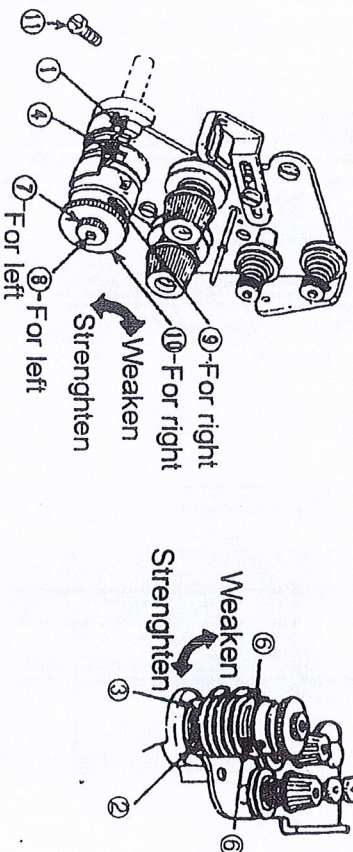


Fig. 12

7. Lead the Upper Thread (Fig.3):

Raise the thread take-up lever to its highest position and lead the upper thread as shown in fig.3.

8. Adjustment of stitch length and reverse sewing (Fig.4):

- 1) Stitch length can be adjusted by turning Dial;
- 2) The figures on Dial Plate show stitch length in mm;
- 3) Reverse feeding starts when Reverse Feed Lever is depressed, and the machine will feed forward again if Reverse Feed Lever is released.

13. How to adjust the lower thread (Fig.9):

The lower thread tension can be adjusted by rotating the screw 2, turn the screw 2 clock-wise for more tension, or turn the screw 2 counter-clockwise for less tension.

14. Adjustment of upper thread (Fig.10):

Turn the Thread Tension Nut left or right to loosen or tighten the pressure of upper thread.

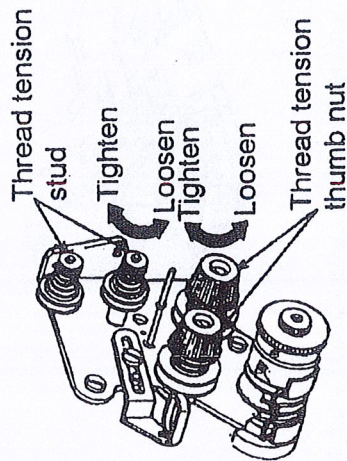


Fig. 10

15. Adjustment of the thread tension (Fig.11):

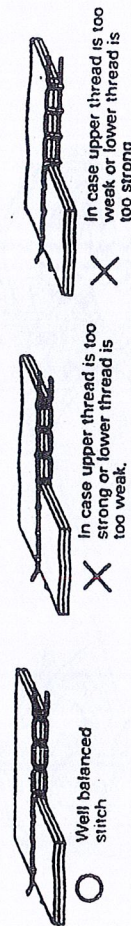


Fig.11

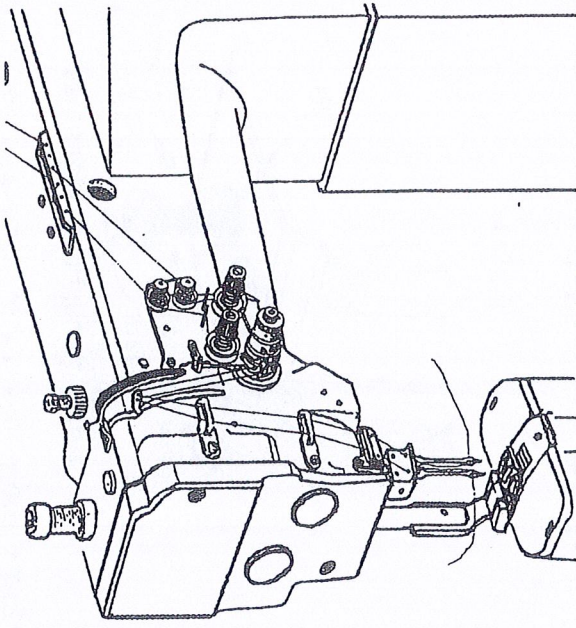


Fig. 3

9. Adjust The Thread Guide:

The position of the thread guide affects stitch tightness, and therefore must be adjusted according to sewing materials and sewing conditions.

| | | | |
|-----------------------|----------|----------|-----------|
| Thread guide position | Leftward | Center | Rightward |
| Material weight | Heavy | Medium | Light |
| Supply | More | Standard | Less |

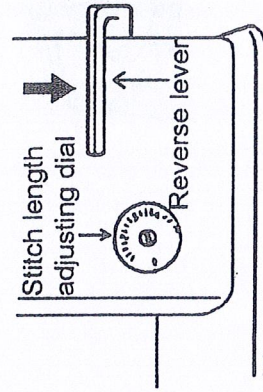


Fig. 4

10、 Adjust the Pressure of Presser Foot (Fig.5):

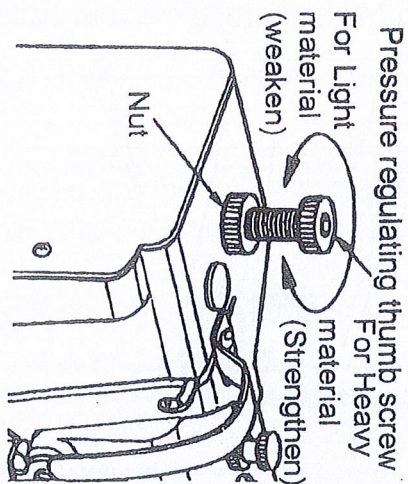


Fig. 5

11、 How to place the Bobbin into the Hook (Fig.6):

Pull the bobbin thread about 5cm, Hold the bobbin as shown in fig.6, then place the bobbin into the hook base.

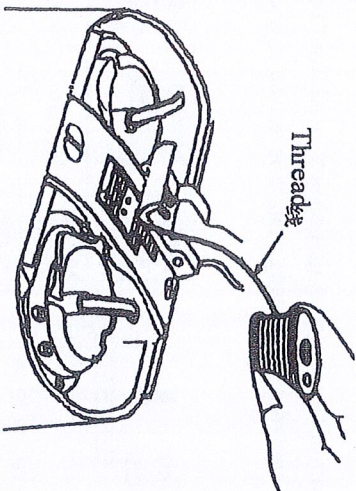


Fig. 6

12、 How to lead the lower thread (Fig.7、 Fig.8):

(1) As shown in fig.7, from the slit (1) pass the thread underneath the hook body, and pull it to the right diagonally, and thread will pass through the tension spring (single needle). From the slit (1) pass the thread underneath the hook body, and pull the left thread to the left and the right thread to the right diagonally, and thread will pass through the tension spring (double needle).

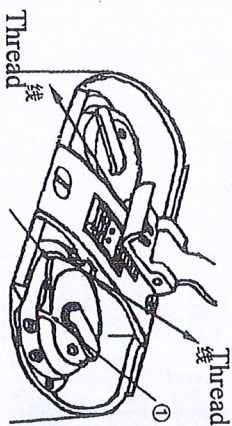


Fig. 7

(2) As shown in fig.8, holding the end of upper thread by left hand, turn the balance wheel slowly one around by right hand, the upper thread will hook out pulling the lower thread simultaneously through the hole of needle plate, and leave the lower thread to the other side of the needle plate. Close the side plate.

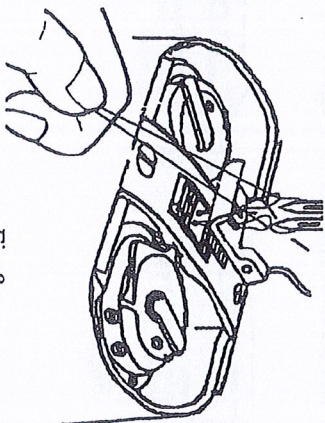


Fig.8

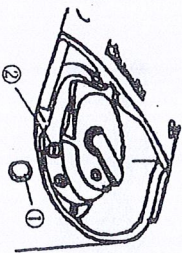


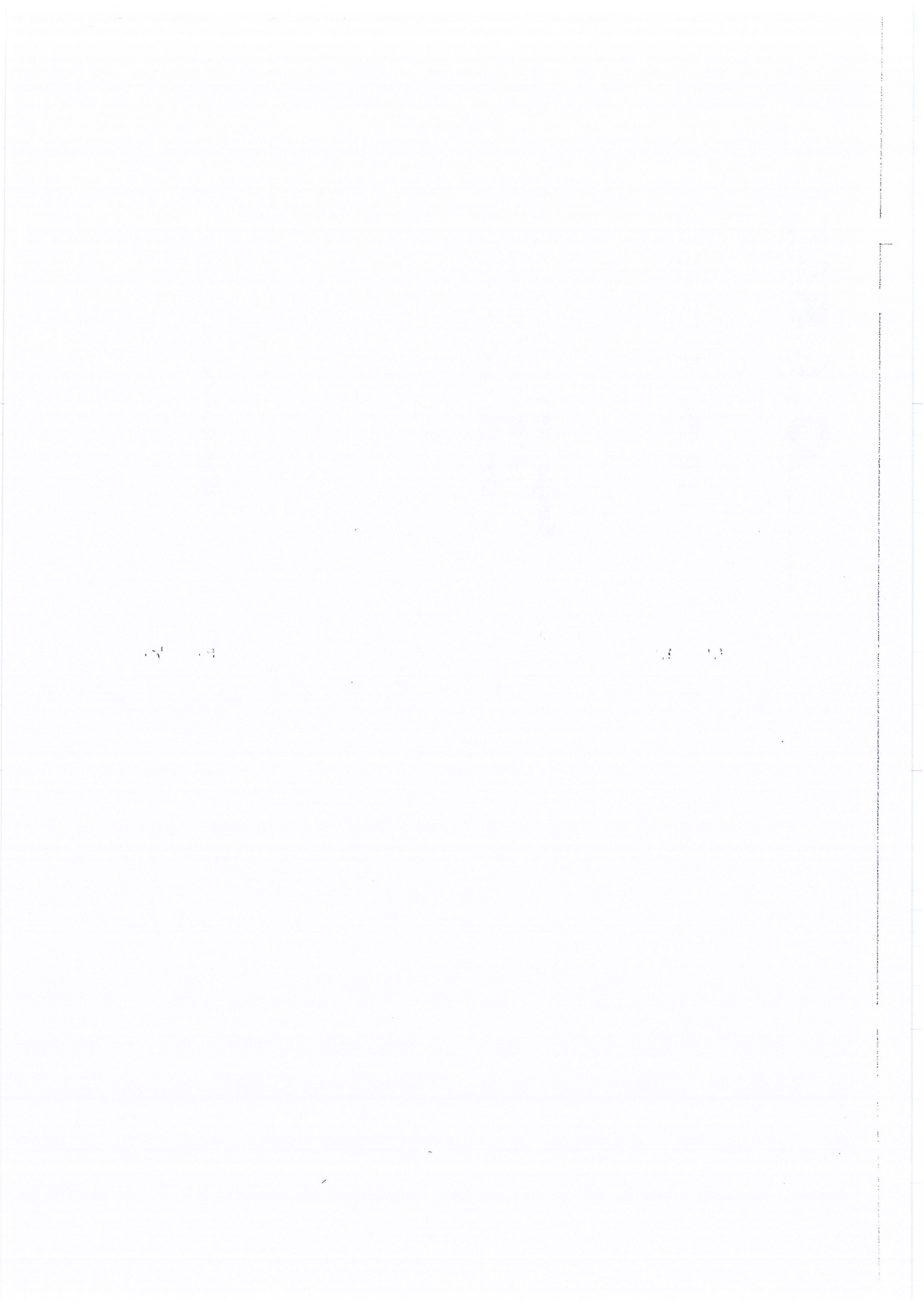
Fig.9

GLOBAL

LP 9941 R / LP 9942 R

**Single needle / double needle
postbed needle feed
lockstitch sewing machine**

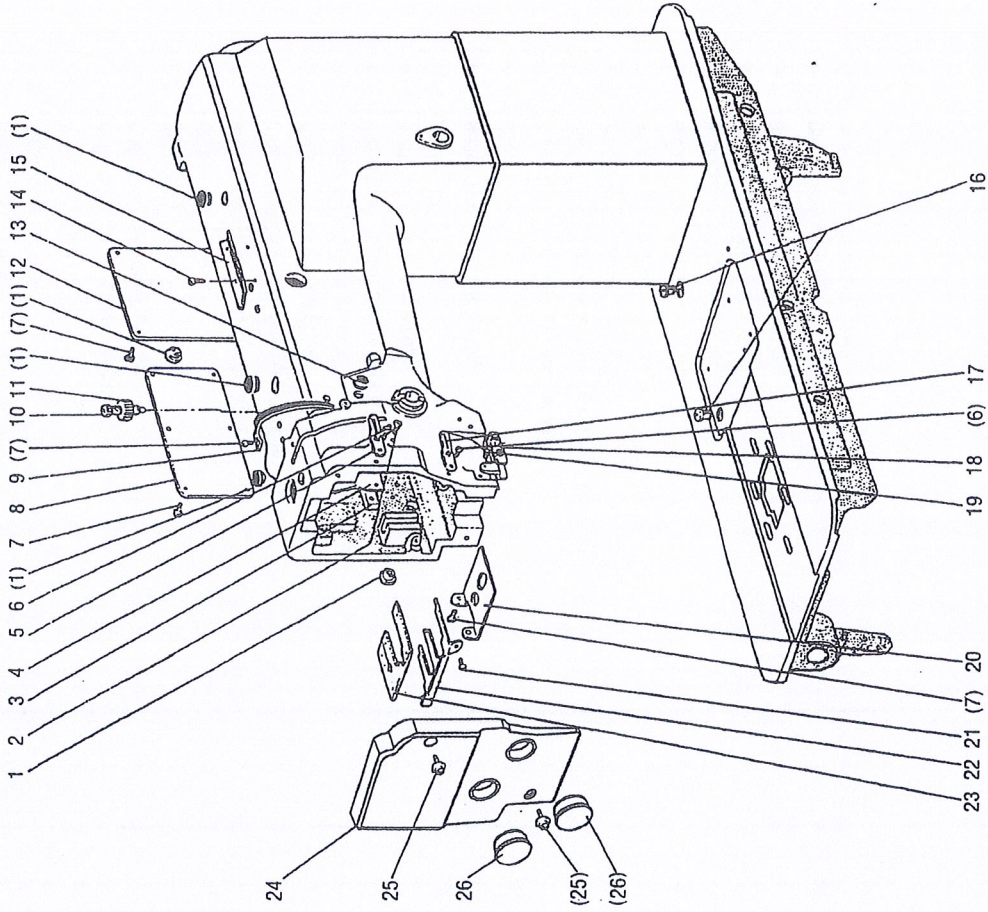
Spare parts catalogue



I: ACCESSORIES

A: ARM BED AND ITS ACCESSORIES

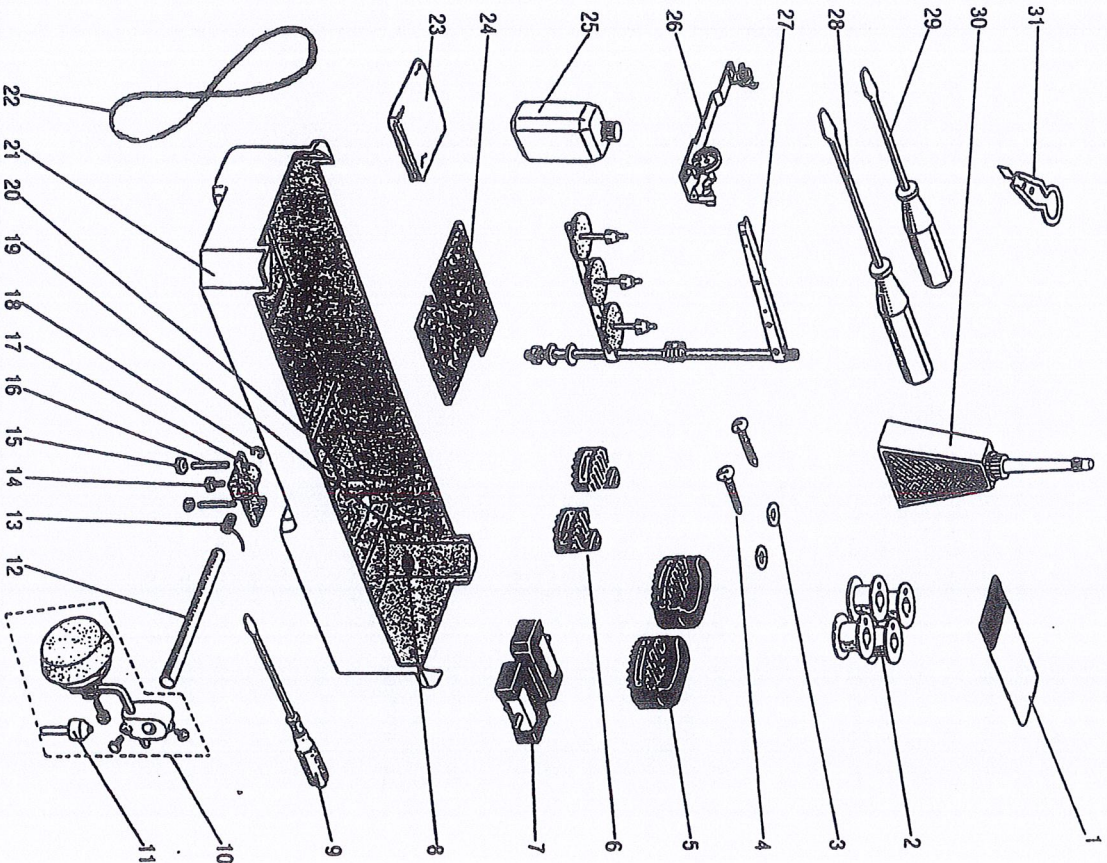
| No. | Ref. No. | Description | LP 9941 R | LP 9942 R |
|-----|----------|-----------------------------|-----------|-----------|
| 101 | 63H09001 | Needle | | 6 |
| 101 | 62H09001 | Needle | 6 | |
| 102 | 63H09002 | Bobbin | 2 | 4 |
| 103 | 63H09003 | Washer | 4 | 4 |
| 104 | 63H09004 | Screw | 4 | 4 |
| 105 | 63H09005 | Vibration preventing rubber | 2 | 2 |
| 106 | 63H09006 | Vibration preventing rubber | 2 | 2 |
| 107 | 63H09007 | Hinge complete | 2 | 2 |
| 108 | 63H09008 | Magnet block for reservoir | 1 | 1 |
| 109 | 63H09009 | Screw driver(large) | 1 | 1 |
| 110 | 63H09010 | Small parts | 1 | 1 |
| 111 | 63H09011 | Knee lifter pin | 1 | 1 |
| 112 | 63H09012 | Knee lifter shaft | 1 | 1 |
| 113 | 63H09013 | Spring | 1 | 1 |
| 114 | 63H09014 | Bolt | 1 | 1 |
| 115 | 63H09015 | Nut | 2 | 2 |
| 116 | 63H09016 | Screw | 2 | 2 |
| 117 | 63H09017 | Knee lifter crank | 1 | 1 |
| 118 | 63H09018 | E type stop ring | 1 | 1 |
| 119 | 63H09019 | Washer | 1 | 1 |
| 120 | 63H09020 | Screw | 1 | 1 |
| 121 | 63H09021 | Oil reservoir | 1 | 1 |
| 122 | 63H09022 | V belt | 1 | 1 |
| 123 | 63H09023 | Vinyl cover | 1 | 1 |
| 124 | 63H09024 | Felt | 1 | 1 |
| 125 | 63H09025 | Oil can | 1 | 1 |
| 126 | 63H09026 | Bobbin winder | 1 | 1 |
| 127 | 63H09027 | Cotton stand | 1 | 1 |
| 128 | 63H09028 | Screw driver(middle) | 1 | 1 |
| 129 | 63H09029 | Screw driver(small) | 1 | 1 |
| 130 | 63H09030 | Oiler | 1 | 1 |
| 131 | 63H09031 | Thread needle kit | 1 | 1 |



A: ARM BED AND ITS ACCESSORIES

| No. | Ref. No. | Description | LP 9941 R | LP 9942 R |
|-----|----------|-------------------------------|-----------|-----------|
| A01 | H6301001 | Rubber plug $\phi 13$ | 5 | 5 |
| A02 | H6301002 | Screw | 2 | 2 |
| A03 | H6301003 | Spacer | 1 | 1 |
| A04 | H6301004 | Oil guard plate | 1 | 1 |
| A05 | H6301005 | Thread guide | 1 | 1 |
| A06 | H6301006 | Screw | 2 | 2 |
| A07 | H6301007 | Screw | 13 | 13 |
| A08 | H6301008 | Side cover (left) | 1 | 1 |
| A09 | H6301009 | Thread take-up cover | 1 | 1 |
| A10 | H6301010 | Thumb screw | 1 | 1 |
| A11 | H6301011 | Special nut | 1 | 1 |
| A12 | H6301012 | Side cover (right) | 1 | 1 |
| A13 | H6301013 | Rubber plug | 1 | 1 |
| A14 | H6301014 | Screw | 2 | 2 |
| A15 | H6301015 | Thread guide | 1 | 1 |
| A16 | H6301016 | Cap | 2 | 2 |
| A17 | H6301017 | Thread guide (middle) | 1 | 1 |
| A18 | H6301018 | Thread guide complete (lower) | 1 | 1 |
| A19 | H6301019 | Screw | 1 | 1 |
| A20 | H6301020 | Cover | 1 | 1 |
| A21 | H6301021 | Screw | 2 | 2 |
| A22 | H6301022 | Oil guard plate | 1 | 1 |
| A23 | H6301023 | Felt | 1 | 1 |
| A24 | H6301026 | Face plate | 1 | 1 |
| A25 | H6301025 | Screw | 2 | 2 |
| A26 | H6301024 | Rubber plug | 2 | 2 |

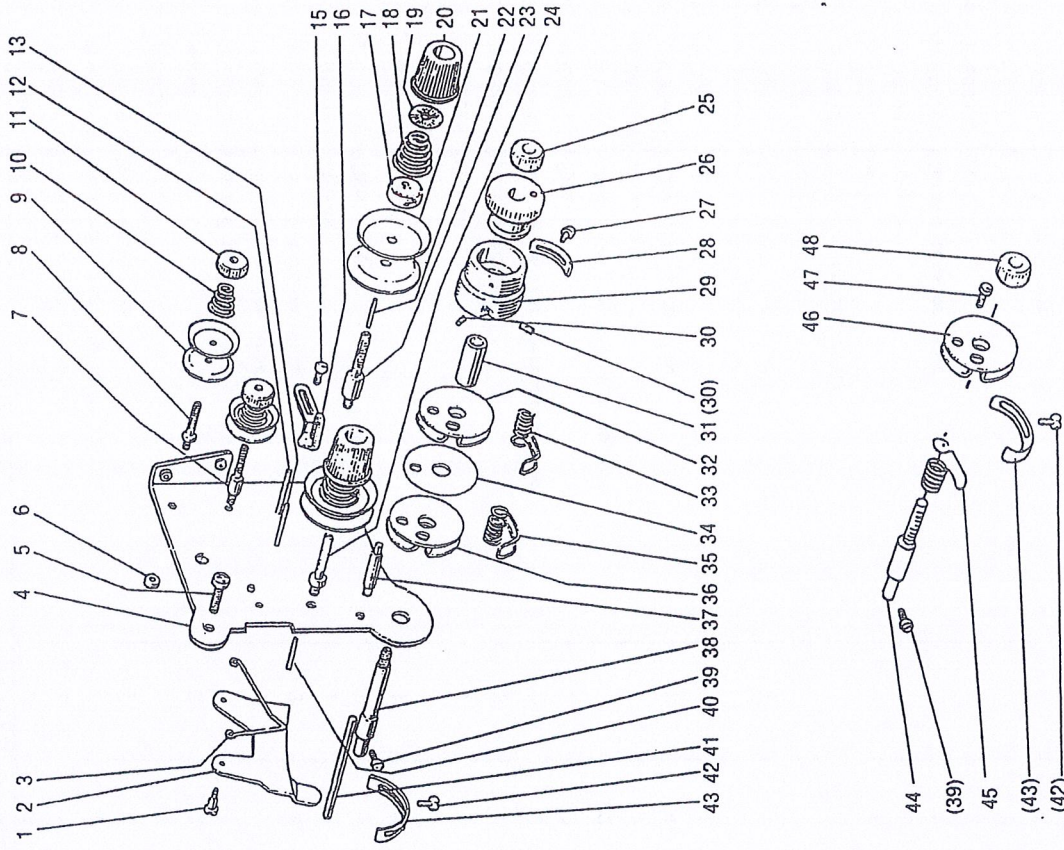
1: ACCESSORIES



H: OIL LUBRICATION MECHANISM

B: THREAD TENSION REGULATOR MECHANISM

| No. | Ref. No. | Description | LP 9941 R | LP 9942 R |
|-----|----------|--------------------------|-----------|-----------|
| H37 | 63H08037 | Oil pipe & wick complete | 1 | 1 |
| H38 | 63H08038 | Oil pipe & wick complete | 1 | 1 |
| H39 | 63H08039 | Oil wick | 3 | 3 |
| H40 | 63H08040 | Oil pipe & wick complete | 1 | 1 |
| H41 | 63H08041 | Pipe | 3 | 3 |
| H42 | 63H08042 | Holder | | 1 |
| H43 | 63H08043 | Holder | | 3 |
| H44 | 63H08044 | Oil pipe connector | | 1 |
| H45 | 63H08045 | Pipe | | 1 |
| H46 | 63H08046 | Screw | 2 | 2 |
| H47 | 63H08047 | Holding plate | 1 | 1 |
| H48 | 63H08048 | Holder | 1 | 1 |
| H49 | 62H08001 | Pipe | 1 | 1 |



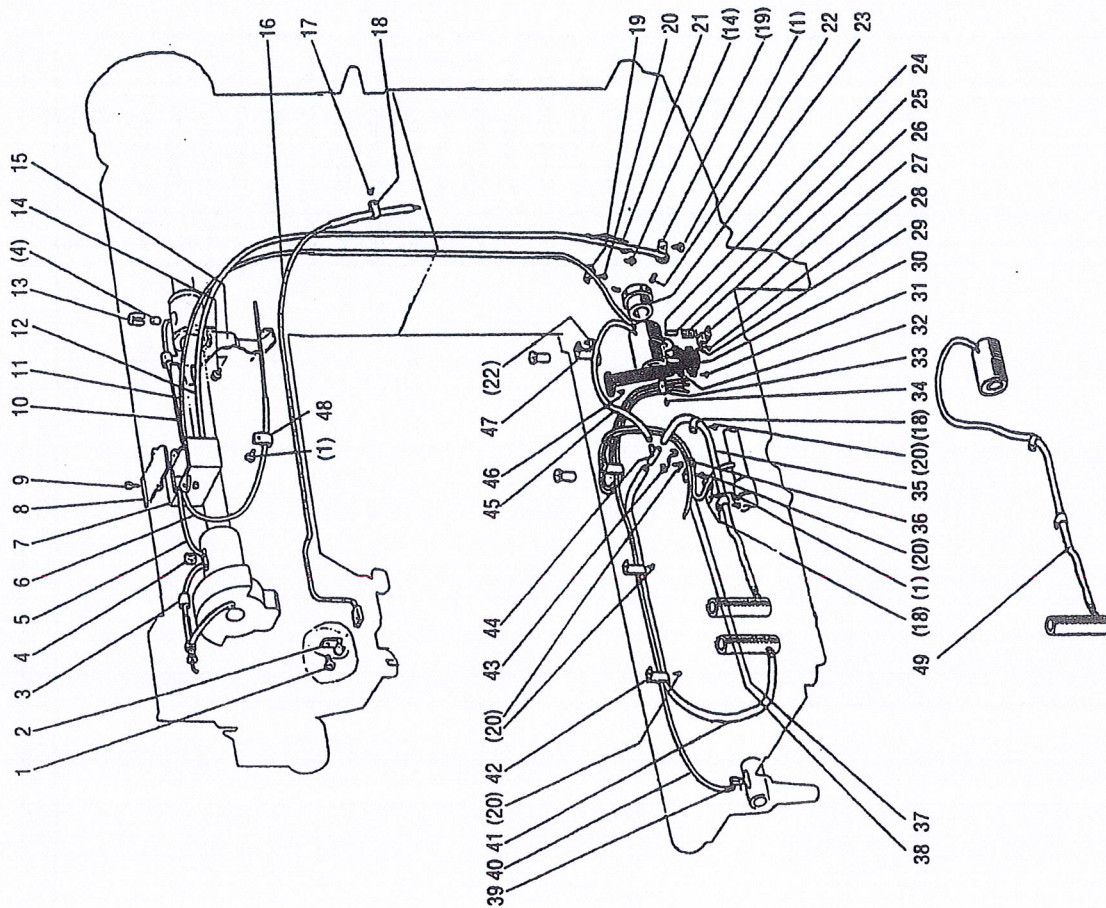
B: THREAD TENSION REGULATOR MECHANISM

| No. | Ref. No. | Description | LP 9941 R | LP 9942 R |
|-----|----------|-------------------------------|-----------|-----------|
| B01 | H6302001 | Screw | 2 | 2 |
| B02 | H6302002 | Tension releasing plate | 1 | 1 |
| B03 | H6302003 | Tension releasing spring | 1 | 1 |
| B04 | H6302004 | Mounting plate | 1 | 1 |
| B05 | H6302005 | Screw | 2 | 2 |
| B06 | H6302006 | Nut | 2 | 2 |
| B07 | H6302007 | Thread tension stud | 1 | 1 |
| B08 | H6302008 | Thread tension stud | 1 | 1 |
| B09 | H6302009 | Thread tension disc | 2 | 4 |
| B10 | H6302010 | Spring | 1 | 2 |
| B11 | H6302011 | Thumb nut | 1 | 2 |
| B12 | H6302012 | Pin | 1 | 2 |
| B13 | H6302013 | Pin | 1 | 2 |
| B14 | H6302014 | Screw | 1 | 1 |
| B15 | H6302015 | Thread guide | 1 | 1 |
| B16 | H6302016 | Thread tension releasing disc | 1 | 2 |
| B17 | H6302017 | Spring | 1 | 2 |
| B18 | H6302018 | Thumb nut revolution stopper | 1 | 2 |
| B19 | H6302019 | Thumb nut | 1 | 2 |
| B20 | H6302020 | Thread tension disc | 2 | 4 |
| B21 | H6302021 | Pin | 1 | 1 |
| B22 | H6302022 | Thread tension stud | 1 | 1 |
| B23 | H6302023 | Thread tension stud | 1 | 1 |
| B24 | H6302024 | Thumb nut | 1 | 1 |
| B25 | H6302025 | Take -up spring guide | 1 | 1 |
| B26 | H6302026 | Screw | 1 | 1 |
| B27 | H6302027 | Stopper | 1 | 1 |
| B28 | H6302028 | Thread tension post | 1 | 1 |
| B29 | H6302029 | Screw | 2 | 2 |
| B30 | H6302030 | Bushing | 1 | 1 |
| B31 | H6302031 | Plate complete | 1 | 1 |
| B32 | H6302032 | Thread Take -up spring | 1 | 1 |
| B33 | H6302033 | Plate | 1 | 1 |
| B34 | H6302034 | Thread Take -up spring | 1 | 1 |
| B35 | H6302035 | Plate complete | 1 | 1 |
| B36 | H6302036 | Screw | 1 | 1 |

H: OIL LUBRICATION MECHANISM

| No. | Ref. No. | Description | LP 9941 R | LP 9942 R |
|-----|----------|--------------------------|-----------|-----------|
| H01 | 63H08001 | Screw | 4 | 4 |
| H02 | 63H08002 | Holder | 1 | 1 |
| H03 | 63H08003 | Pipe | 1 | 1 |
| H04 | 63H08004 | Felt | 2 | 2 |
| H05 | 63H08005 | Oil pipe & wick complete | 1 | 1 |
| H06 | 63H08006 | Oil pipe & wick complete | 1 | 1 |
| H07 | 63H08007 | Oil tank complete | 1 | 1 |
| H08 | 63H08008 | Gasket | 1 | 1 |
| H09 | 63H08009 | Screw | 2 | 2 |
| H10 | 63H08010 | Oil pipe & wick complete | 1 | 1 |
| H11 | 63H08011 | Pipe | 1 | 1 |
| H12 | 63H08012 | Pipe | 1 | 1 |
| H13 | 63H08013 | Pipe | 1 | 1 |
| H14 | 63H08014 | Screw | 3 | 3 |
| H15 | 63H08015 | Holder | 1 | 1 |
| H16 | 63H08016 | pipe & felt complete | 1 | 1 |
| H17 | 63H08017 | Screw | 7 | 7 |
| H18 | 63H08018 | Holder | 3 | 3 |
| H19 | 63H08019 | Holder | 2 | 2 |
| H20 | 63H08020 | Screw | 6 | 7 |
| H21 | 63H08021 | Holder | 1 | 1 |
| H22 | 63H08022 | Screw | 2 | 2 |
| H23 | 63H08023 | Bushing | 1 | 1 |
| H24 | 63H08024 | Pipe | 1 | 1 |
| H25 | 63H08025 | Pin | 1 | 1 |
| H26 | 63H08026 | Spring | 1 | 1 |
| H27 | 63H08027 | Spring holder | 1 | 1 |
| H28 | 63H08028 | Screw | 1 | 1 |
| H29 | 63H08029 | Screw | 1 | 1 |
| H30 | 63H08030 | Filter | 1 | 1 |
| H31 | 63H08031 | Screw | 1 | 1 |
| H32 | 63H08032 | Base plate complete | 1 | 1 |
| H33 | 63H08033 | Holder | 1 | 1 |
| H34 | 63H08034 | Screw | 1 | 1 |
| H35 | 63H08035 | Pipe | 1 | 1 |
| H36 | 63H08036 | Holder | 1 | 1 |

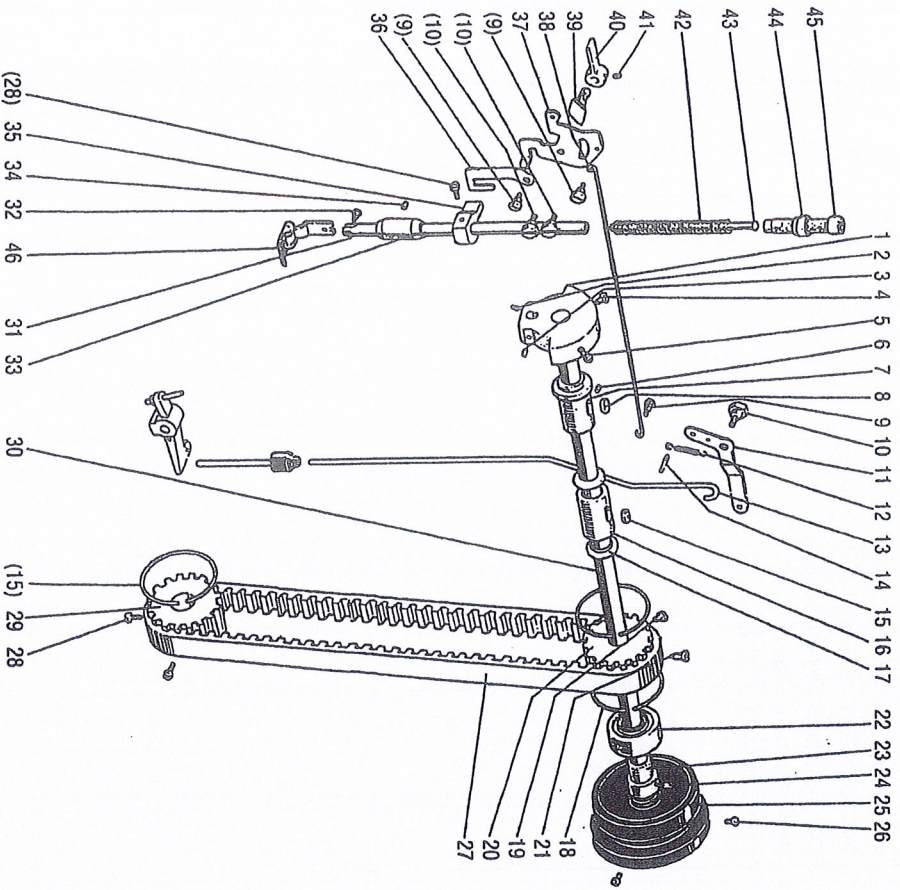
H: OIL LUBRICATION MECHANISM



B: THREAD TENSION REGULATOR MECHANISM

| No. | Ref. No. | Description | LP 9941 R | LP 9942 R |
|-----|----------|-----------------------|-----------|-----------|
| B37 | H6302037 | Thread tension stud | | 1 |
| B38 | H6302038 | Screw | 1 | 1 |
| B39 | H6302039 | Pin | 1 | 1 |
| B40 | H6302040 | Tension releasing pin | 1 | 1 |
| B41 | H6302041 | Screw | 1 | 1 |
| B42 | H6302042 | Stopper | 1 | 1 |
| B43 | H6302043 | Thread tension stud | 1 | 1 |
| B44 | H6302044 | Thread Take-up spring | 1 | 1 |
| B45 | H6302045 | Plate complete | 1 | 1 |
| B46 | H6302046 | Screw | 1 | 1 |
| B47 | H6302047 | Thumb nut | 1 | 1 |

C: UPPER SHAFT & PRESSER FOOT MECHANISM



G: HOOK SADDLE MECHANISM

| No. | Ref. No. | Description | LP 9941 R | LP 9942 R |
|-----|----------|------------------------|-----------|-----------|
| G37 | 62H07007 | Side cover bracket | 1 | |
| G38 | 62H07008 | Screw | 1 | |
| G39 | 62H07009 | Rear cover plate | 1 | |
| G40 | 62H07010 | Screw | 1 | |
| G41 | 63H07031 | Slide plate | 1 | 2 |
| G42 | 63H07032 | Screw | 6 | 6 |
| G43 | 63H07033 | Spring washer | 6 | 6 |
| G44 | 63H07034 | Washer | 6 | 6 |
| G45 | 63H07035 | Feed dog | 1 | 1 |
| G46 | 63H07036 | Needle plate | 1 | 1 |
| G47 | 63H07037 | Feed plate set bracket | 1 | 1 |
| G48 | 63H07038 | Cover plate | 1 | 1 |
| G49 | 63H07039 | Cover plate | 1 | 1 |
| G50 | 63H07040 | Cover plate | 2 | 2 |
| G51 | 63H07041 | Screw | 2 | 2 |
| G52 | 63H07042 | Washer | 2 | 2 |
| G53 | 63H07043 | Screw | 16 | |

G: HOOK SADDLE MECHANISM

| No. | Ref. No. | Description | LP 9941 R | LP 9942 R |
|-----|----------|-------------------------|-----------|-----------|
| G01 | 63H07001 | Hook complete | 1 | 2 |
| G02 | 63H07002 | Screw | 1 | 2 |
| G03 | 63H07003 | Opener (complete) | 1 | 2 |
| G04 | 63H07004 | Opener | 1 | 2 |
| G05 | 63H07005 | Screw | 1 | 2 |
| G06 | 63H07006 | Opener bracket | 1 | 2 |
| G07 | 63H07007 | Screw | 1 | 2 |
| G08 | 63H07008 | Hook shaft | 1 | 2 |
| G09 | 63H07009 | Hook shaft bushing | 1 | 2 |
| G10 | 63H07010 | Screw | 1 | 2 |
| G11 | 63H07011 | Gear (complete) | 1 | 2 |
| G12 | 63H07012 | Gear (large) | 1 | 2 |
| G13 | 63H07013 | Gear (small) | 1 | 2 |
| G14 | 63H07014 | Screw | 3 | 6 |
| G15 | 63H07015 | Screw | 1 | 2 |
| G16 | 63H07016 | Screw | 1 | 2 |
| G17 | 63H07017 | Screw | 2 | 4 |
| G18 | 63H07018 | Collar | 1 | 2 |
| G19 | 63H07019 | Felt | 1 | 2 |
| G20 | 63H07020 | Bobbin | 1 | 2 |
| G21 | 63H07021 | Feed plate | 1 | 1 |
| G22 | 62H07001 | Feed dog | 1 | 1 |
| G23 | 63H07022 | Screw | 1 | 1 |
| G24 | 62H07002 | Needle plate | 1 | 1 |
| G25 | 63H07023 | Screw | 2 | 2 |
| G26 | 62H07003 | Feed plate set bracket | 1 | 1 |
| G27 | 63H07024 | Supporter plate | 1 | 1 |
| G28 | 63H07025 | Screw | 2 | 2 |
| G29 | 63H07026 | Square block (complete) | 1 | 1 |
| G30 | 63H07027 | Screw | 1 | 1 |
| G31 | 63H07028 | Nut | 1 | 1 |
| G32 | 62H07004 | Cover plate | 1 | 1 |
| G33 | 62H07005 | Cover plate | 1 | 1 |
| G34 | 62H07006 | Screw | 8 | 4 |
| G35 | 63H07029 | Screw | 3 | 4 |
| G36 | 63H07030 | Hook shaft supporter | 1 | 2 |

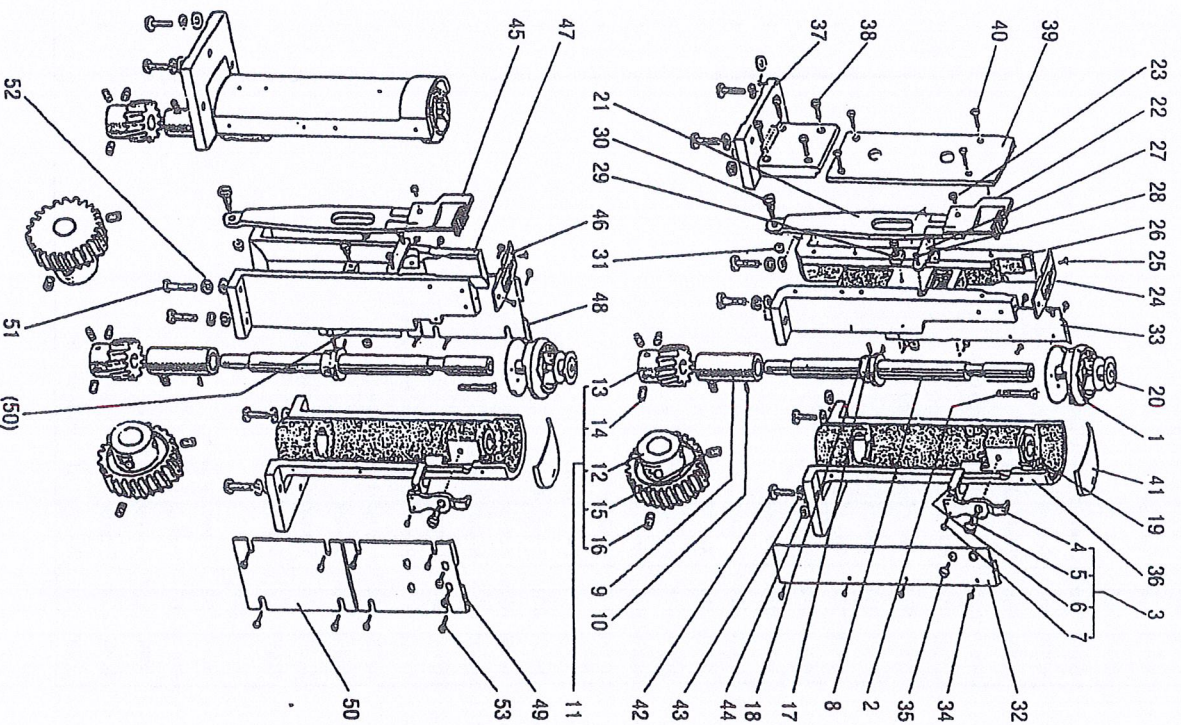
C: UPPER SHAFT & PRESSER FOOT MECHANISM

| No. | Ref. No. | Description | LP 9941 R | LP 9942 R |
|-----|----------|-----------------------------------|-----------|-----------|
| C01 | H6303001 | Needle bar crank complete | 1 | 1 |
| C02 | H6303002 | Screw | 1 | 1 |
| C03 | H6303003 | Screw | 1 | 1 |
| C04 | H6303004 | Screw | 1 | 1 |
| C05 | H6303005 | Screw | 1 | 1 |
| C06 | H6303006 | Screw | 1 | 1 |
| C07 | H6303007 | Arm shaft bushing left (complete) | 1 | 1 |
| C08 | H6303008 | Felt | 1 | 1 |
| C09 | H6303009 | Screw | 3 | 3 |
| C10 | H6303010 | Bolt | 3 | 3 |
| C11 | H6303011 | Knee lifter lever (right) | 1 | 1 |
| C12 | H6303012 | Spring | 1 | 1 |
| C13 | H6303013 | Knee lifter connecting rod | 1 | 1 |
| C14 | H6303014 | Pin | 1 | 1 |
| C15 | H6303015 | Felt | 1 | 1 |
| C16 | H6303016 | Arm shaft bushing (middle) | 1 | 1 |
| C17 | H6303017 | Oil seal | 2 | 2 |
| C18 | H6303018 | Spring flange | 2 | 2 |
| C19 | H6303019 | Screw | 1 | 1 |
| C20 | H6303020 | Pulley | 1 | 1 |
| C21 | H6303021 | Screw | 1 | 1 |
| C22 | H6303022 | Ball bearing | 1 | 1 |
| C23 | H6303023 | Bushing | 1 | 1 |
| C24 | H6303024 | Screw | 2 | 2 |
| C25 | H6303025 | Pulley | 1 | 1 |
| C26 | H6303026 | Screw | 2 | 2 |
| C27 | H6303027 | Cog belt | 1 | 1 |
| C28 | H6303028 | Screw | 3 | 3 |
| C29 | H6303029 | Pulley complete | 1 | 1 |
| C30 | H6303030 | Arm shaft | 1 | 1 |
| C31 | H6303031 | Presser bar | 1 | 1 |
| C32 | H6303032 | Screw | 1 | 1 |
| C33 | H6303033 | Bushing | 1 | 1 |
| C34 | H6303034 | Screw | 2 | 2 |
| C35 | H6303035 | Presser bar guide bracket | 1 | 1 |
| C36 | H6303036 | Operation plate | 1 | 1 |

C: UPPER SHAFT & PRESSER FOOT MECHANISM

| No. | Ref. No. | Description | LP 9941 R | LP 9942 R |
|-----|----------|-------------------------------|-----------|-----------|
| C37 | H6303037 | Knee lifter lever left | 1 | 1 |
| C38 | H6303038 | Knee lifter rod | 1 | 1 |
| C39 | H6303039 | Presser bar lifting cam | 1 | 1 |
| C40 | H6303040 | Presser bar lifter (complete) | 1 | 1 |
| C41 | H6303041 | Screw | 2 | 2 |
| C42 | H6303042 | Spring | 1 | 1 |
| C43 | H6303043 | Presser spring guide | 1 | 1 |
| C44 | H6303044 | Special nut | 1 | 1 |
| C45 | H6303045 | Thumb nut | 1 | 1 |
| C46 | H6303046 | Presser foot complete | 1 | 1 |
| C46 | H6203001 | Presser foot complete | 1 | 1 |

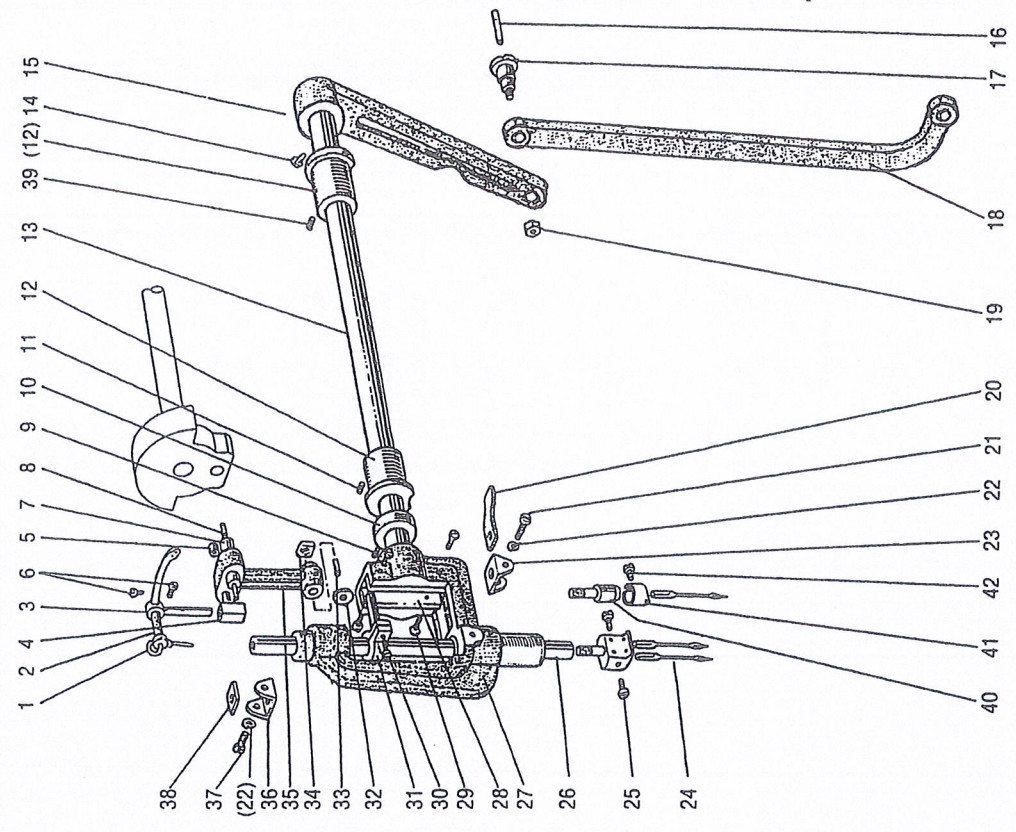
G: HOOK SADDLE MECHANISM



F: LOWER SHAFT & FEED ROCK MECHANISM

| No. | Ref. No. | Description | LP 9941 R | LP 9942 R |
|-----|----------|-------------------------------|-----------|-----------|
| F37 | H6306037 | Screw | 4 | 4 |
| F38 | H6306038 | Feed rock shaft | 1 | 1 |
| F39 | H6306039 | Felt | 2 | 2 |
| F40 | H6306040 | Feed rock shaft bushing(left) | 1 | 1 |
| F41 | H6306041 | Screw | 2 | 2 |
| F42 | H6306042 | Feed bar assy crank | 1 | 1 |
| F43 | H6306043 | Oil wick | 1 | 1 |
| F44 | H6306044 | Holder | 1 | 1 |
| F45 | H6306045 | Bolt | 1 | 1 |
| F46 | H6306046 | Washer | 1 | 1 |
| F49 | H6306049 | Feed bar connecting fork | 1 | 1 |
| F50 | H6306050 | Felt | 1 | 1 |
| F51 | H6306051 | Screw | 1 | 1 |

D: THIRD TAKE-UP LEVER & NEEDLE BAR MECHANISM



D: THRED TAKE-UP LEVER & NEEDLE BAR MECHANISM

| No. | Ref. No. | Description | LP 9941 R | LP 9942 R |
|-----|----------|----------------------------------|-----------|-----------|
| D01 | H6304001 | Oil wick | 1 | 1 |
| D02 | H6304002 | Thread Take-up guide bracket pin | 1 | 1 |
| D03 | H6304003 | Thread Take-up lever | 1 | 1 |
| D04 | H6304004 | Thread Take-up slide block | 1 | 1 |
| D05 | H6304005 | Plug | 1 | 1 |
| D06 | H6304006 | Screw | 3 | 3 |
| D07 | H6304007 | Thread take-up crank pin | 1 | 1 |
| D08 | H6304008 | Oil wick | 1 | 1 |
| D09 | H6304009 | Screw | 1 | 1 |
| D10 | H6304010 | Collar (complete) | 1 | 1 |
| D11 | H6304011 | Screw | 1 | 1 |
| D12 | H6304012 | Needle bar rock shaft bushing | 2 | 2 |
| D13 | H6304013 | Needle bar rock shaft | 1 | 1 |
| D14 | H6304014 | Screw | 1 | 1 |
| D15 | H6304015 | Needle bar rock shaft crank | 1 | 1 |
| D16 | H6304016 | Oil wick | 1 | 1 |
| D17 | H6304017 | Screw | 1 | 1 |
| D18 | H6304018 | Link | 1 | 1 |
| D19 | H6304019 | Nut | 1 | 1 |
| D20 | H6304020 | Felt | 1 | 1 |
| D21 | H6304021 | Screw | 2 | 2 |
| D22 | H6304022 | Spring washer | 4 | 4 |
| D23 | H6304023 | Holder | 1 | 1 |
| D24 | H6304024 | Needle | 1 | 2 |
| D25 | H6304025 | Needle clamp complete | 1 | 1 |
| D26 | H6304026 | Needle bar | 1 | 1 |
| D27 | H6304027 | Needle bar rock frame | 1 | 1 |
| D28 | H6304028 | Spacer | 2 | 2 |
| D29 | H6304029 | Screw | 4 | 4 |
| D30 | H6304030 | Screw | 1 | 1 |
| D31 | H6304031 | Needle bar connecting | 1 | 1 |
| D32 | H6304032 | Washer | 1 | 1 |
| D33 | H6304033 | Felt | 1 | 1 |
| D34 | H6304034 | Square block | 1 | 1 |
| D35 | H6304035 | Needle bar connecting link | 1 | 1 |
| D36 | H6304036 | Holder | 1 | 1 |

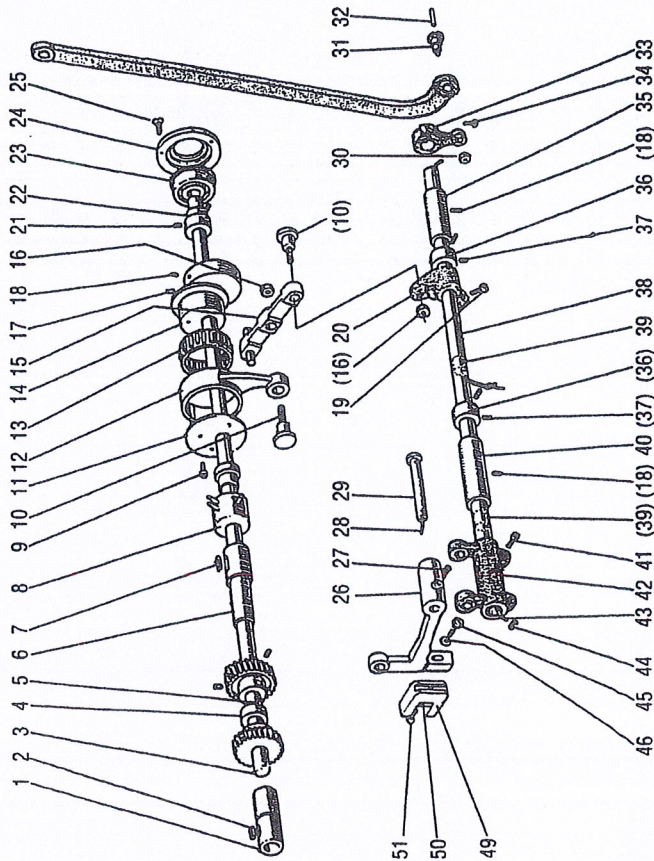
F: LOWER SHAFT & FEED ROCK MECHANISM

| No. | Ref. No. | Description | LP 9941 R | LP 9942 R |
|-----|----------|---------------------------------------|-----------|-----------|
| F01 | H6306001 | Lower shaft bushing left | 1 | 1 |
| F02 | H6306002 | Oil wick | 1 | 1 |
| F03 | H6306003 | Lower shaft | 1 | 1 |
| F04 | H6306004 | Feed lifting cam | 1 | 1 |
| F05 | H6306005 | Screw | 1 | 1 |
| F06 | H6306006 | Lower shaft bushing right (complete) | 1 | 1 |
| F07 | H6306007 | Oil wick | 1 | 1 |
| F08 | H6306008 | Lower shaft bushing middle (complete) | 1 | 1 |
| F09 | H6306009 | Screw | 3 | 3 |
| F10 | H6306010 | Screw | 2 | 2 |
| F11 | H6306011 | Washer | 1 | 1 |
| F12 | H6306012 | Feed Connecting rod | 1 | 1 |
| F13 | H6306013 | Needle bearing | 1 | 1 |
| F14 | H6306014 | Level feed connecting cam | 1 | 1 |
| F15 | H6306015 | Link (complete) | 1 | 1 |
| F16 | H6306016 | Nut | 2 | 2 |
| F17 | H6306017 | Screw | 1 | 1 |
| F18 | H6306018 | Screw | 3 | 3 |
| F19 | H6306019 | Screw | 1 | 1 |
| F20 | H6306020 | Connecting rod crank (middle) | 1 | 1 |
| F21 | H6306021 | Screw | 2 | 2 |
| F22 | H6306022 | Bushing | 1 | 1 |
| F23 | H6306023 | Ball bearing | 1 | 1 |
| F24 | H6306024 | Bearing holder | 1 | 1 |
| F25 | H6306025 | Screw | 3 | 3 |
| F26 | H6306026 | Feed bar | 1 | 1 |
| F27 | H6306027 | Screw | 1 | 1 |
| F28 | H6306028 | Oil wick | 1 | 1 |
| F29 | H6306029 | Feed bar shaft | 1 | 1 |
| F30 | H6306030 | Nut | 1 | 1 |
| F31 | H6306031 | Screw | 1 | 1 |
| F32 | H6306032 | Oil wick | 1 | 1 |
| F33 | H6306033 | Feed rock shaft crank (right) | 1 | 1 |
| F34 | H6306034 | Screw | 1 | 1 |
| F35 | H6306035 | Feed rock shaft bushing (right) | 1 | 1 |
| F36 | H6306036 | Collar (complete) | 2 | 2 |

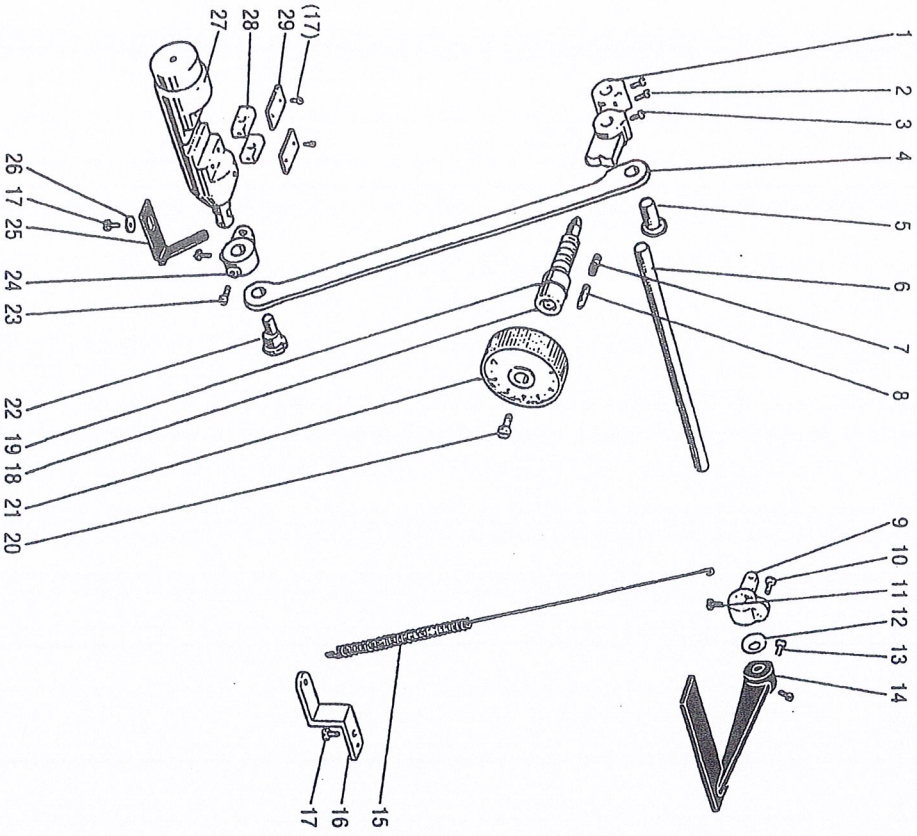
F: LOWER SHAFT & FEED ROCK MECHANISM

D: THREADED TAKE UP LEVER & NEEDLE BAR MECHANISM

| No. | Ref. No. | Description | I.P. 9941 R | L.P. 9942 R |
|-----|----------|-------------------------|-------------|-------------|
| D37 | H6304037 | Screw | 2 | 2 |
| D38 | H6304038 | Felt | 1 | 1 |
| D39 | H6304039 | Screw | 1 | 1 |
| D40 | H6204001 | Needle clamp | 1 | 1 |
| D41 | H6204002 | Needle bar thread guide | 1 | 1 |
| D42 | H6204003 | Screw | 1 | 1 |



E: STICH REGULATOR MECHANISM



E: STICH REGULATOR MECHANISM

| No. | Ref. No. | Description | LP 9941 R | LP 9942 R |
|-----|----------|---------------------------------|-----------|-----------|
| E01 | H6305001 | Feed regulator | 1 | 1 |
| E02 | H6305002 | Screw | 2 | 2 |
| E03 | H6305003 | Screw | 1 | 1 |
| E04 | H6305004 | Connecting link | 1 | 1 |
| E05 | H6305005 | Hinge pin | 1 | 1 |
| E06 | H6305006 | Reverse stitch shaft | 1 | 1 |
| E07 | H6305007 | Spring | 1 | 1 |
| E08 | H6305008 | Pin | 1 | 1 |
| E09 | H6305009 | Reverse stitch shaft crank | 1 | 1 |
| E10 | H6305010 | Screw | 1 | 1 |
| E11 | H6305011 | Screw | 1 | 1 |
| E12 | H6305012 | Spring washer | 1 | 1 |
| E13 | H6305013 | Screw | 2 | 2 |
| E14 | H6305014 | Reverse sewing lever (complete) | 1 | 1 |
| E15 | H6305015 | Spring | 1 | 1 |
| E16 | H6305016 | Bracket for spring | 1 | 1 |
| E17 | H6305017 | Screw | 6 | 6 |
| E18 | H6305018 | Screw bar | 1 | 1 |
| E19 | H6305019 | O-ring | 1 | 1 |
| E20 | H6305020 | Screw | 1 | 1 |
| E21 | H6305021 | Dial | 1 | 1 |
| E22 | H6305005 | Eccentric shaft | 1 | 1 |
| E23 | H6305022 | Screw | 2 | 2 |
| E24 | H6305023 | Stitch regulating crank lower | 1 | 1 |
| E25 | H6305024 | Holding plate of reverse bar | 1 | 1 |
| E26 | H6305025 | Washer | 1 | 1 |
| E27 | H6305026 | Reverse bar | 1 | 1 |
| E28 | H6305027 | Square block | 2 | 2 |
| E29 | H6305028 | Guide plate | 2 | 2 |

