



GLOBAL

LP 8971-i-NP-AUT

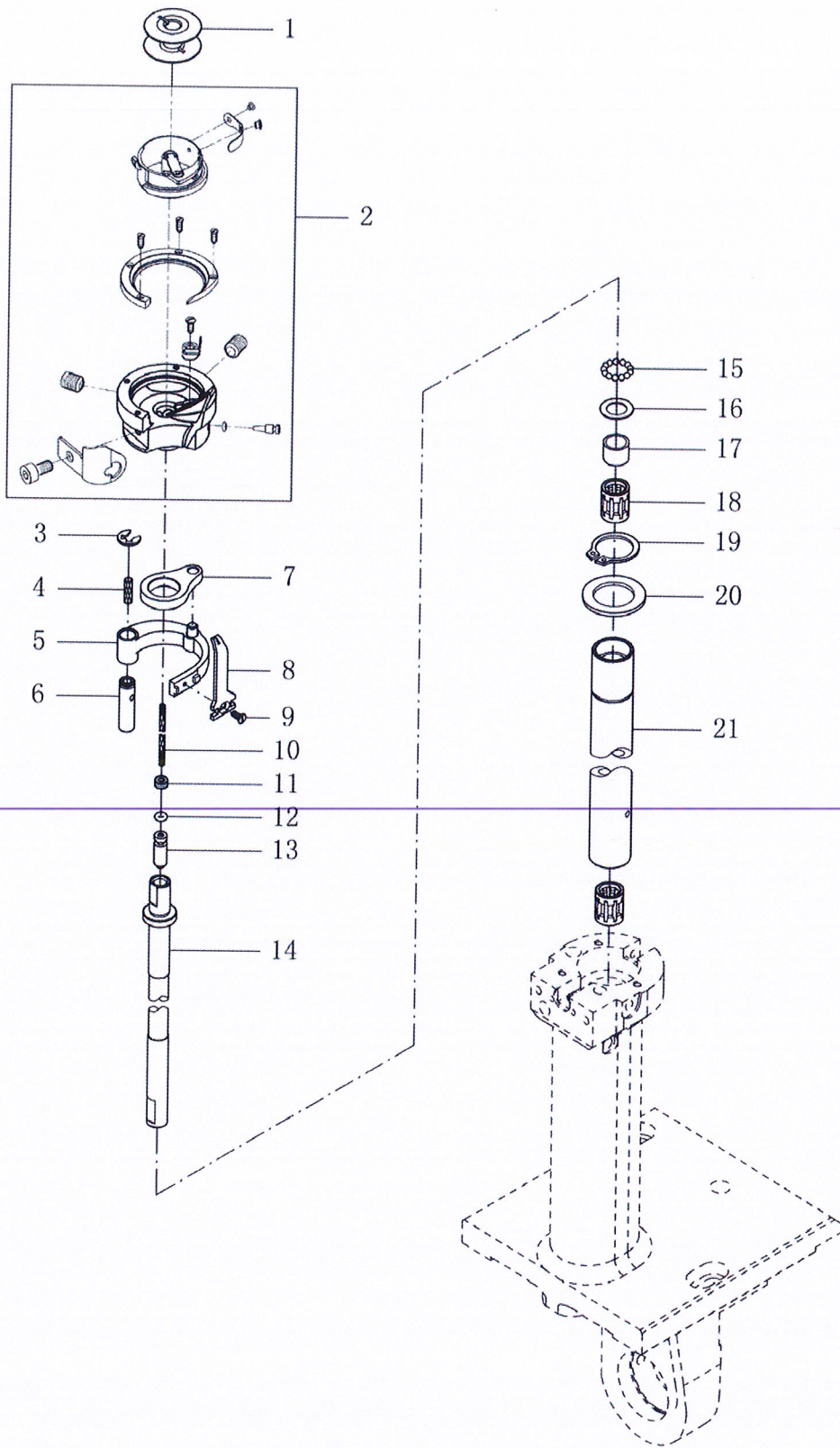
Parts manual

(Parts that differ from LP 8971-
i-AUT)

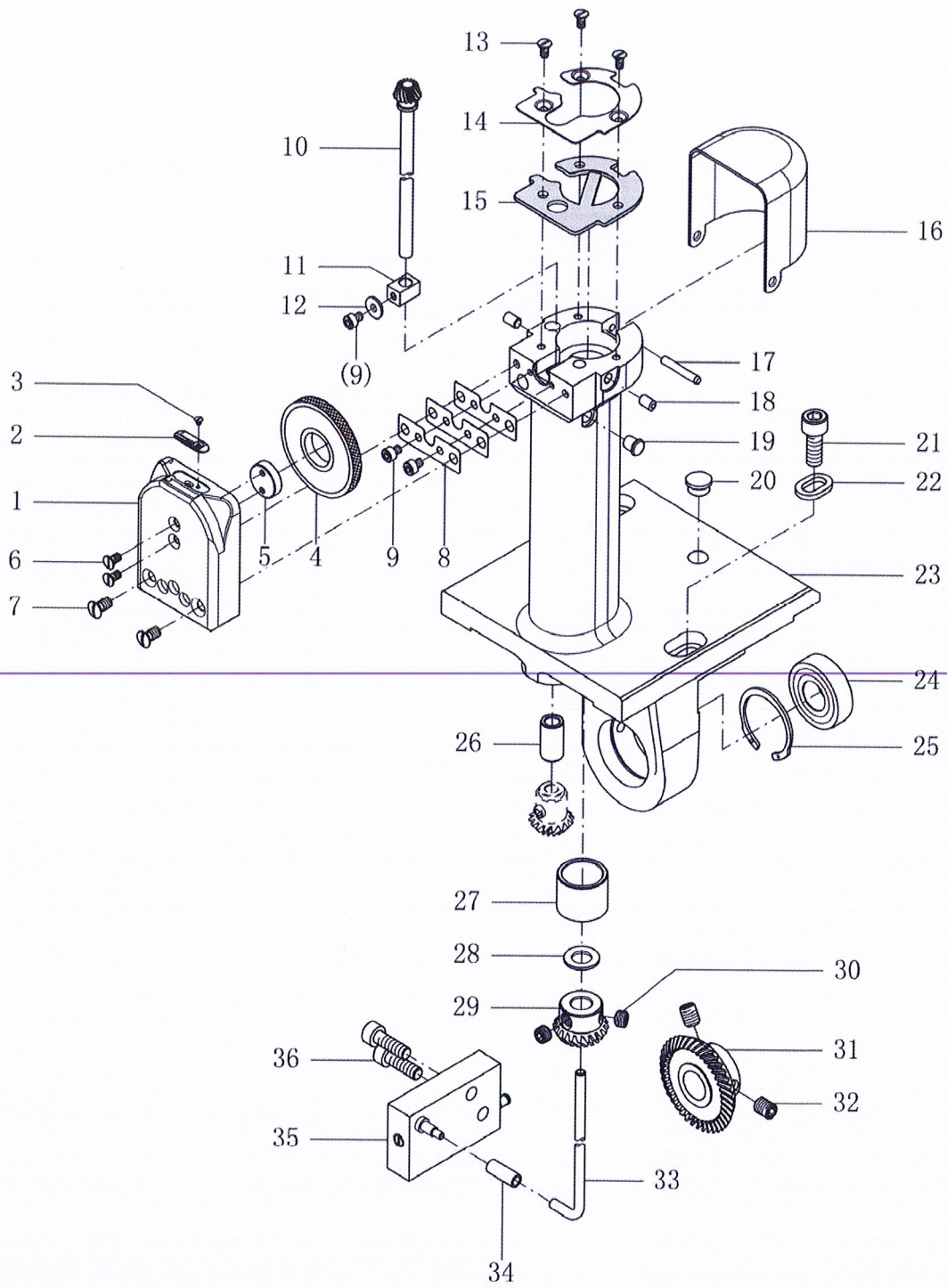
www.globalsew.com

info@globalsew.com

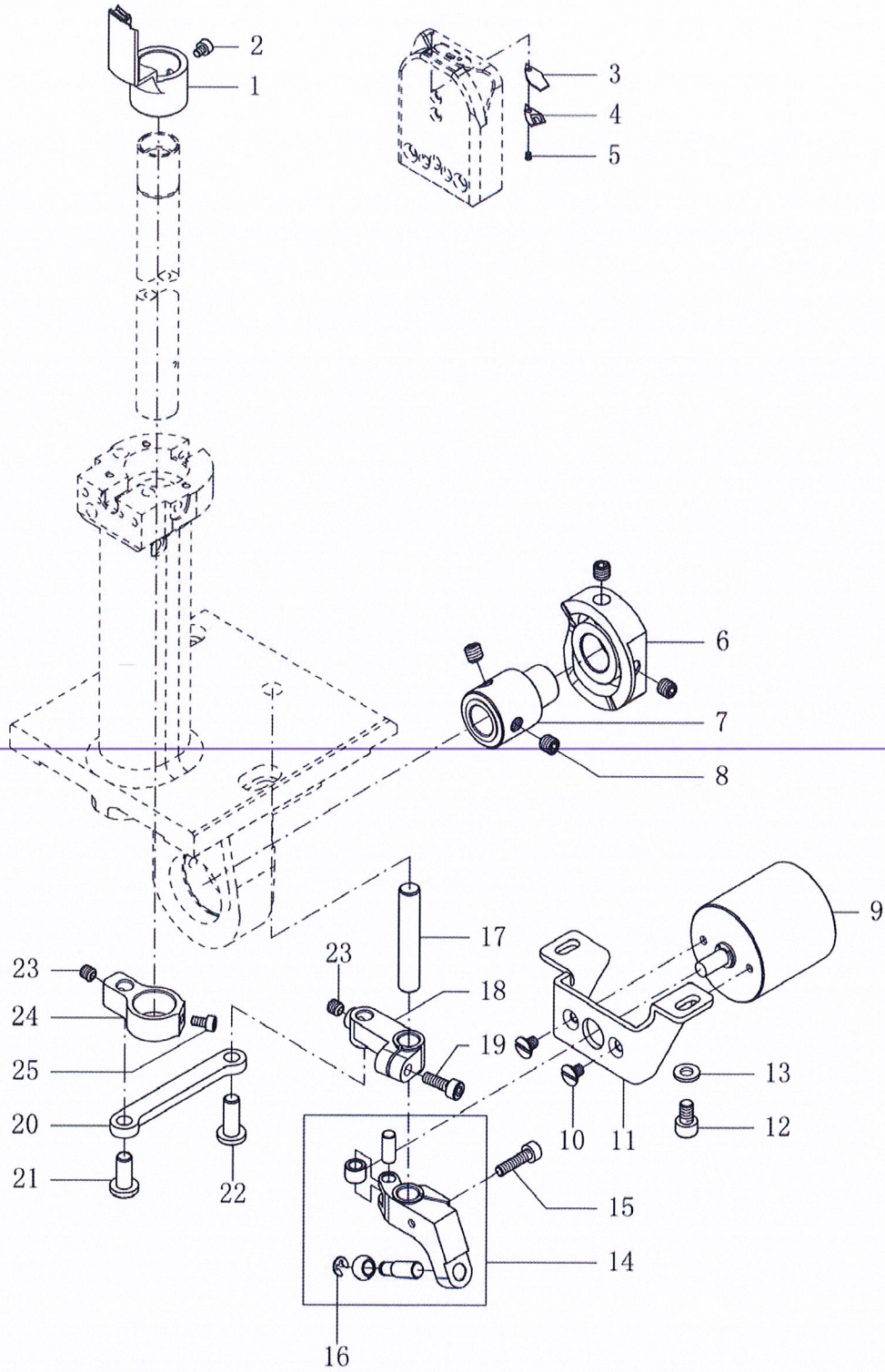
HOOK MECHANISM



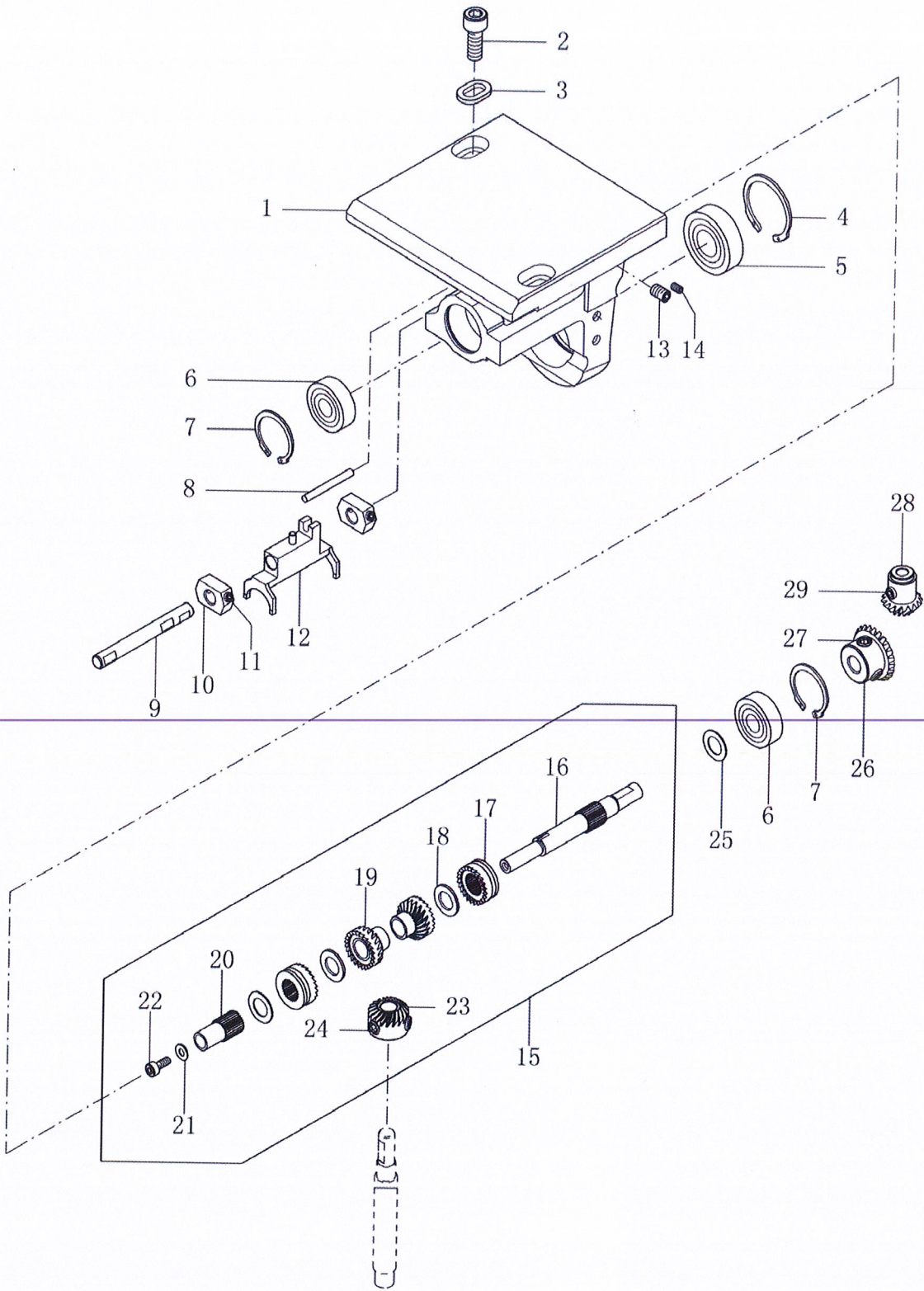
HOOK SUPPORT SEAT MECHANISM



THREAD TRIMMING MECHANISM



FEEDING SUPPORT SEAT MECHANISM



BACKTACK FEEDING MECHANISM

