

GLOBAL

BH 1793

**Computer-controlled, High-speed,
Lockstitch Buttonholing Machine**

PARTS MANUAL

WWW.GLOBALSEW.COM

目 录

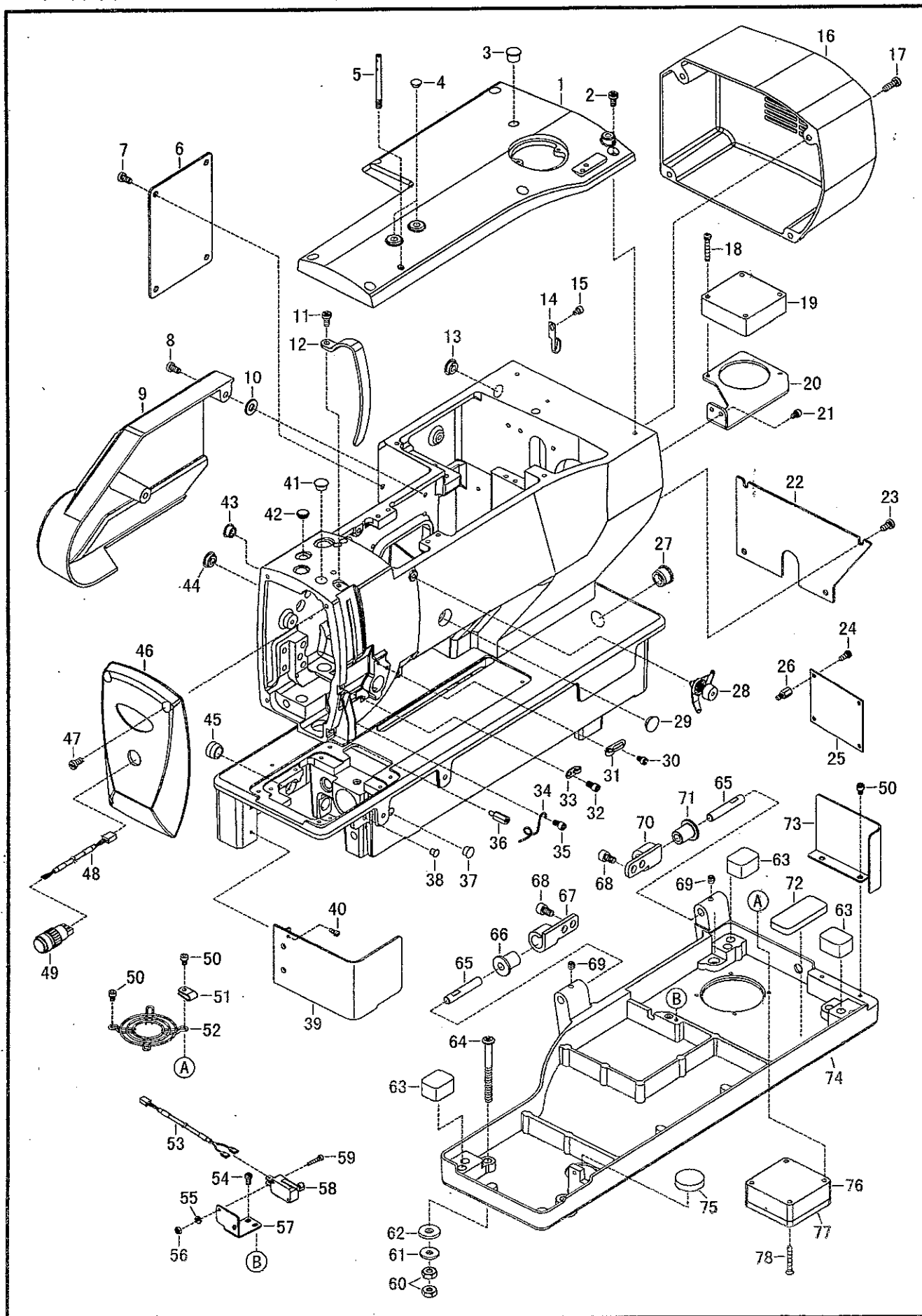
CONTENTS

A 机体部分	Machine body.....	1
B 过线装置	Threading mechanism.....	5
C 上轴传动部分	Upper shaft and needle bar mechanism.....	7
D 下轴传动部分	Lower shaft and needle bar mechanism.....	9
E 送料部分	Feed mechanism.....	11
F 针摆部分	Zigzag mechanism.....	15
G 剪上线部分	Trimmer.....	17
H 剪线部分	Thread trimmer mechanism.....	21
I 切刀部分	Cutter mechanism.....	25
J 踏板部分	Foot switch pedal mechanism.....	27
K 不同规格零件	Different Parts List.....	29
L 附件	Accessories.....	31
M 附件	Accessories.....	33
N 索引	Index.....	35

本书如与机构有不同之处, 当以机构为准!

If this book and the mechanism have the different place, must by mechanism primarily.

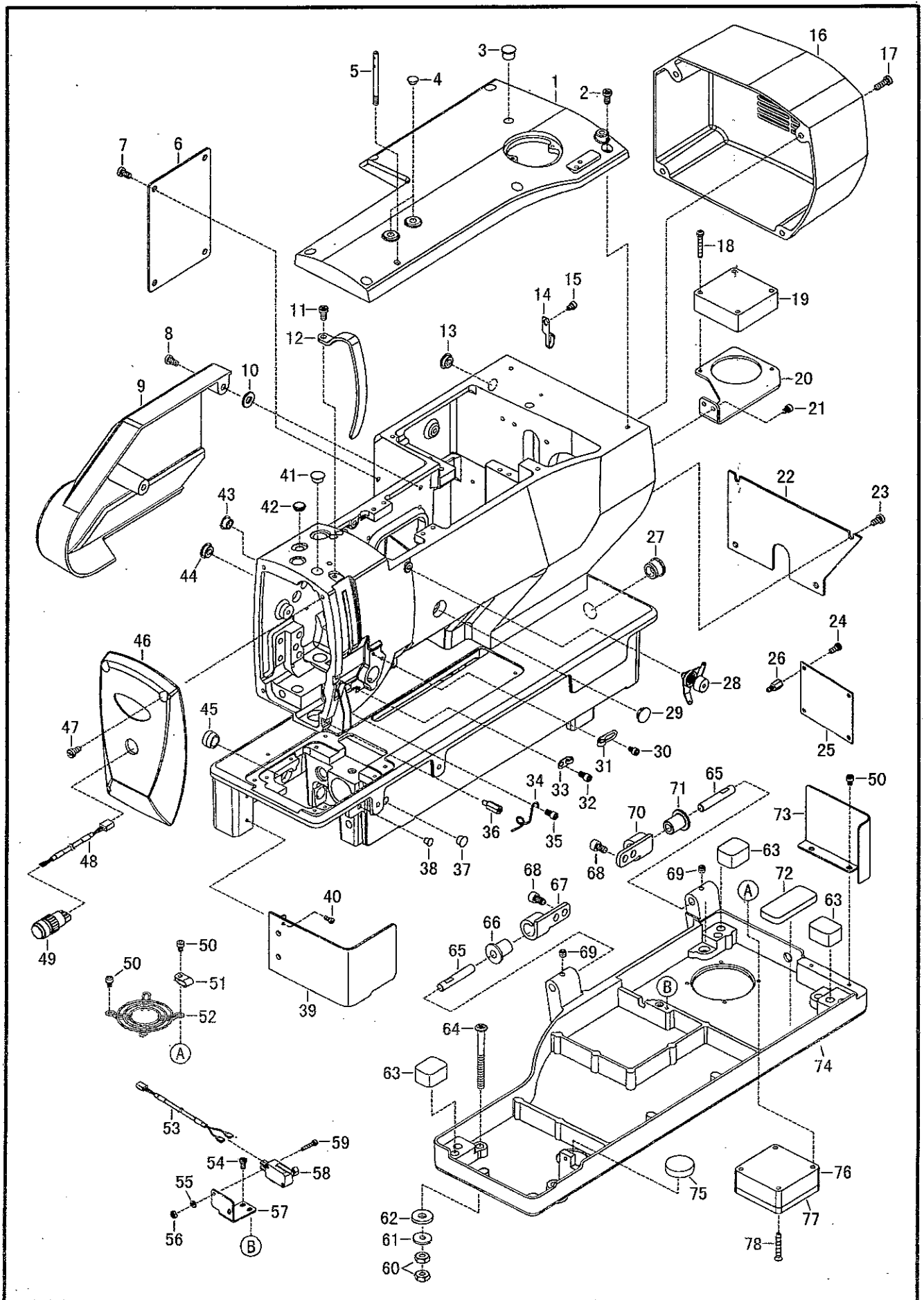
A 机体部分/Machine body



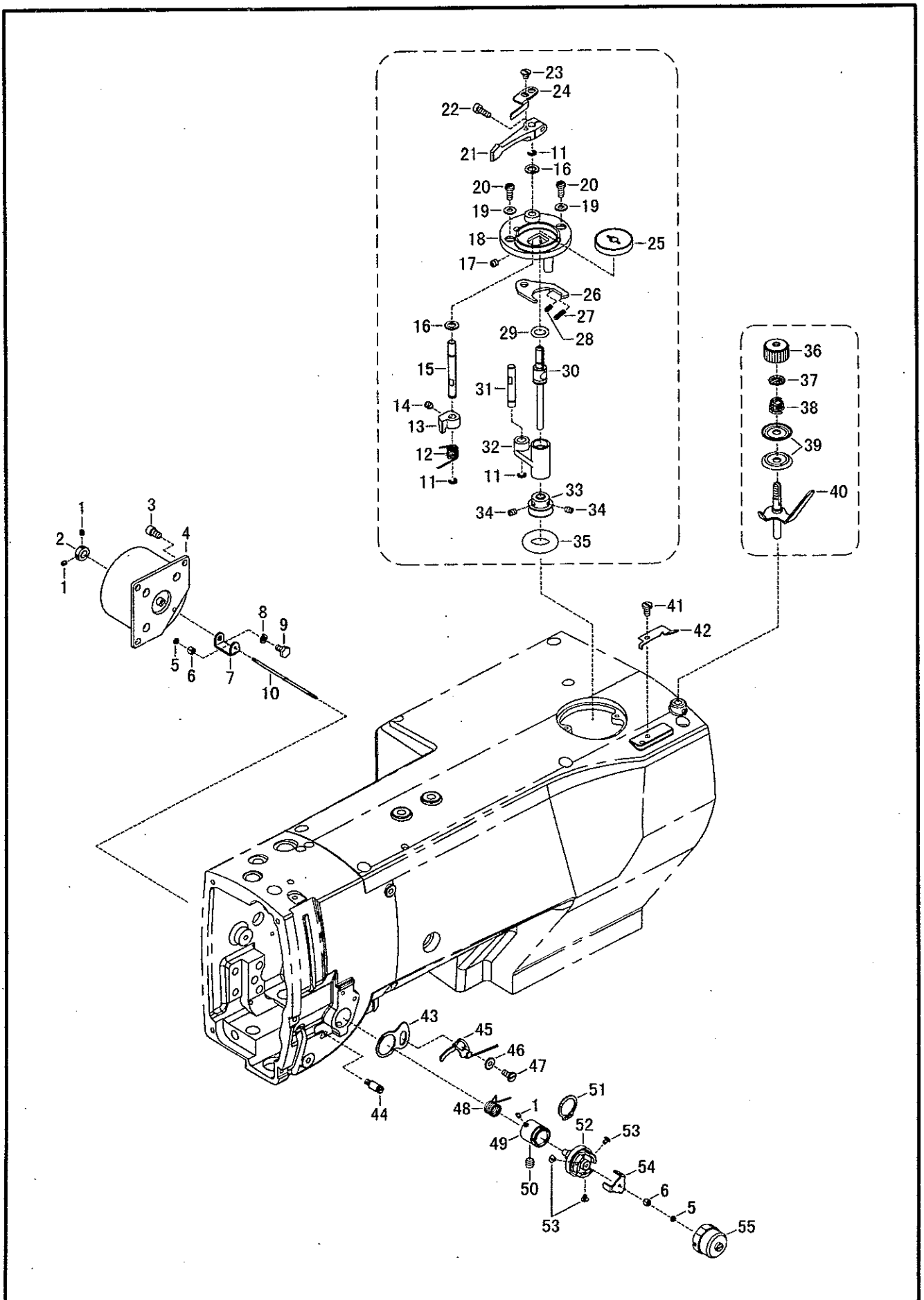
A 机体部分/Machine body

参照号	零部件序号	数量	零部件名称	NAME OF PARTS	RM
1	40004153	1	上盖	UPPER_COVER	
2	SM4051055SP	6	螺钉M5X10	SCREW M5X10	
3	TA1120804RO	1	橡胶塞 ϕ 11.5	RUBBER PLUG ϕ 11.5	
4	TA0750404RO	2	橡胶塞 ϕ 7.5	PLUG ϕ 7.5	
5	22502504	1	过线杆	THREAD GUIDE BAR	
6	40004155	1	左盖B	LEFT_COVER_B	
7	SM4051055SP	4	螺钉M5X10	SCREW M5X10	
8	SM4051055SP	2	螺钉M5X10	SCREW M5X10	
9	40004154	1	左盖A	LEFT_COVER	
10	B1116804000	2	橡胶垫	CLOTH PLATE WASHER	
11	SM4051055SP	1	螺钉M5X10	SCREW M5X10	
12	40004157	1	挑线杆保护罩	THREAD_TAKE_UP_LEVER_COVER	
13	TA1250406RO	1	橡胶塞 ϕ 12.5	RUBBER PLUG ϕ 12.5	
14	26230409	1	线夹	LUBRICATING OIL WICK STOPPER	
15	SM6040602TP	1	螺钉M4X6	SCREW M4X6	
16	40004159	1	后盖	MOTOR_COVER	
17	SM4051655SP	4	螺钉M5X16	SCREW M5X16	
18	SL4042581SC	2	螺钉M4X25	SCREW M4X25	
19	40005402	1	风扇	HEAD FAN MOTOR A ASS'Y	
20	40004367	1	风扇固定板	FAN_FITTING_PLATE	
21	SM6040602TP	2	螺钉M4X6	SCREW M4X6	
22	40004161	1	后下盖板	REAR_COVER	
23	SM4051055SP	4	螺钉M5X10	SCREW M5X10	
24	SL6040892TN	4	螺钉M4X8	SCREW M4X8	
25	40003422	1	电路板	INT PCB ASS'Y	
26	HX003390000	4	安装柱	STUD	
27	B1150490000	1	橡胶塞 ϕ 16.5	RUBBER ϕ 16.5	
28	22528764	1	夹线器	PRE-TENSION CONTROLLER ASM	
29	TA1250406RO	1	橡胶塞 ϕ 12.5	RUBBER PLUG ϕ 12.5	
30	SM6040602TP	1	螺钉M4*6	SCREW M4X6	
31	40009037	1	过线夹A	TAKE-UP THREAD GUIDE A	
32	SM6050802TP	1	螺钉M5X8	SCREW M5X8	
33	13922208	1	过线夹B	TAKE-UP THREAD GUIDE B	
34	13705405	1	穿线器	NEEDLE BAR THREAD GUIDE	
35	SM6050802TP	1	螺钉M5X8	SCREW M5X8	
36	E3724715000	1	安装柱	VCS STUD A	
37	TA0850604RO	1	橡胶塞 ϕ 8.5	RUBBER PLUG ϕ 8.5	
38	TA0550604RO	1	橡胶塞 ϕ 5.3	RUBBER PLUG ϕ 5.3	
39	13900956	1	前挡板盖	HOOK OIL SHIELD COVER COMPL	
40	SL4030890SC	2	螺钉M3X8	SCREW M3X8	
41	TA1050504RO	1	橡胶塞 ϕ 10.5	RUBBER PLUG ϕ 10.5	
42	TA0950806RO	1	橡胶塞 ϕ 9.4	RUBBER PLUG ϕ 9.4	
43	TA1050504RO	1	橡胶塞 ϕ 10.5	RUBBER PLUG ϕ 10.5	
44	TA1250406RO	1	橡胶塞 ϕ 12.5	RUBBER PLUG ϕ 12.5	
45	TA1550902RO	1	橡胶塞 ϕ 15.5	PLUG ϕ 15.5	
46	40004156	1	前盖	FRONT_COVER	
47	SM4051055SP	3	螺钉M5X10	SCREW M5X10	
48	40003494	1	开关线	SCREW CORD	
49	40003497	1	急停开关	SWITCH ASM	
50	SM6040802TP	6	螺钉M4X8	SCREW M4X8	
51	HX00150000A	1	线夹	CABLE CLAMP	
52	HM0003800A0	1	风扇保护罩	FINGER GUARD	
53	40003493	1	连接线	SWITCH CORD	
54	SM6040850TP	2	螺钉M4X8	SCREW PAN M4X8	

A 机体部分/Machine body



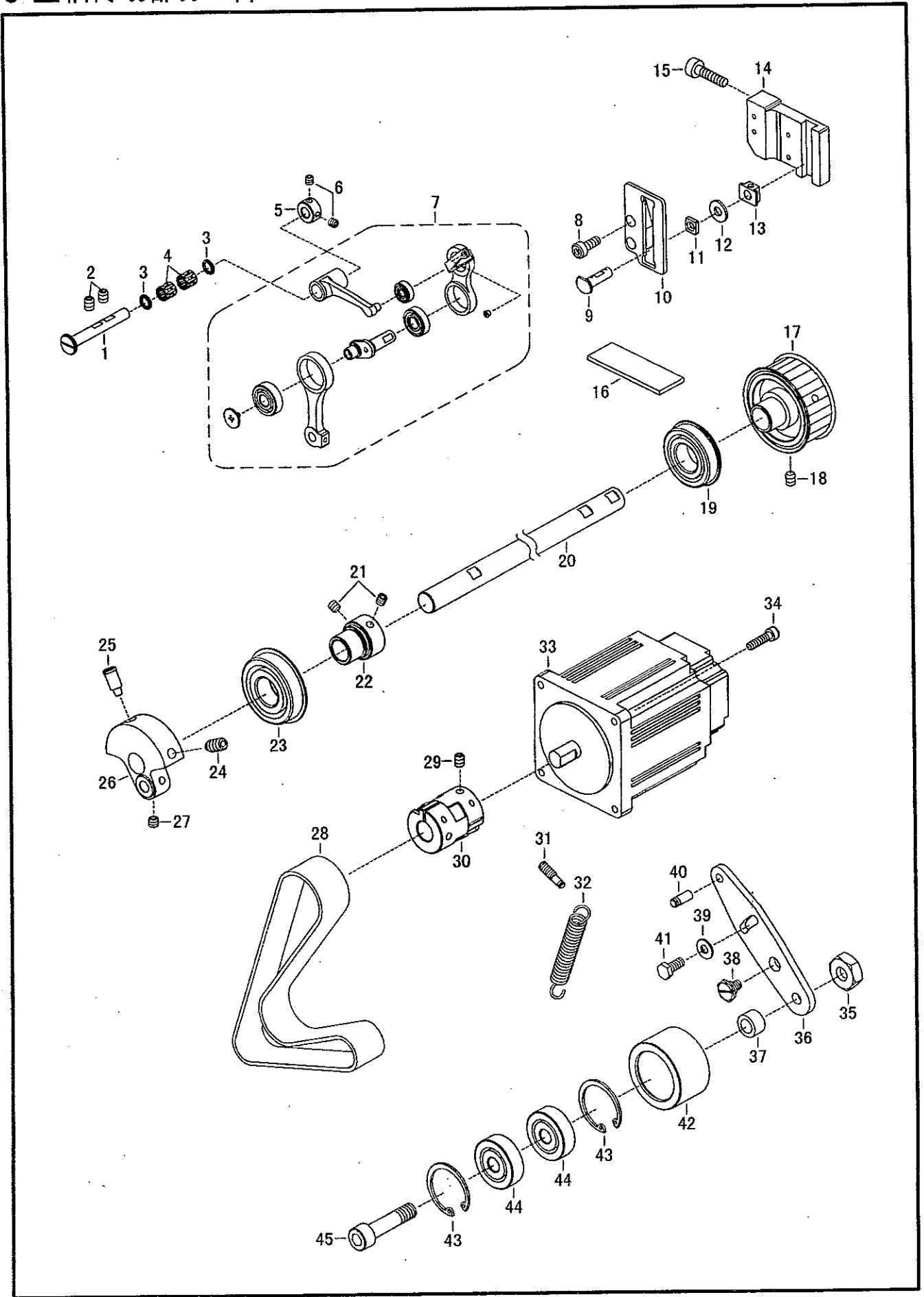
B 过线装置/Threading mechanism



B 过线装置/Threading mechanism

参照号	零部件序号	数量	零部件名称	NAME OF PARTS	RM
1	SM8030412TP	3	螺钉M3X4	SCREW M3X4	
2	32055402	1	定位圈	THRUST COLLAR	
3	SM6050802TP	3	螺钉M5X8	SCREW M5X8	
4	40006261	1	松线电磁铁	ASSY_AT_SOLENOID	
5	40010522	2	螺母M2	SHAFT_NUT M2	
6	40010512	2	螺母	THREAD_TENSION_SHAFT_COLLAR	
7	40006264	1	连接板	AT_SHAFT HOLDER	
8	WS0410002KP	1	弹簧垫M4	SPRING WASHER	
9	SM9040800SP	1	螺钉M4X8	SCREW M4X8	
10	40006263	1	连接轴	AT_SHAFT	
11	RC0700618KP	3	挡圈E4	RETAINING RING E4	
12	40011144	1	扭簧	TORSION SPRING	
13	26260505	1	梭芯夹凸轮	BOBBIN PRESSER CAM	
14	SM8050502TP	1	螺钉M5X5	SCREW M5X5	
15	26260307	1	梭芯夹轴	BOBBIN WINDER ARM SHAFT	
16	WP0660801SP	2	平垫圈S6	WASHER PLAIN S6	
17	SM8050502TP	1	螺钉M5X5	SCREW M5X5	
18	26260109	1	绕线器底座	BOBBIN WINDER BASE	
19	WP0450801SP	2	平垫圈M4	WASHER PLAIN M4	
20	SM4041055TP	2	螺钉M4X10	SCREW M4X10	
21	40021933	1	梭芯压臂柄	BOBBIN PRESSER ARM	
22	SM6041204TP	1	螺栓M4X12	BOLT SOCKET M4X12	
23	SM5040550TP	1	螺钉M4X5	SCREW M4X5	
24	40021932	1	梭芯压杆	BOBBIN PRESSER	
25	26261206	1	梭芯座	BOBBIN SUPPORT	
26	26260208	1	绕线杠杆	BOBBIN WINDER LEVER	
27	26261701	1	复位簧	SPRING	
28	26261702	1	绕线器底座弹簧	BOBBIN WINDER BASE SPRING	
29	40003002	1	O型圈	O RING	
30	40011145	1	绕线轴	BOBBIN WINDER SHAFT	
31	40011147	1	梭芯压臂轴	BOBBIN PRESSER ARM SHAFT	
32	26260406	1	绕线轴基座组件	B-WINDER SHAFT SUPPORT ASSY	
33	26260604	1	绕线轮	BOBBIN WINDER WHEEL	
34	SM8040612TP	2	螺钉M4X6	SCREW M4X6	
35	40003001	1	橡皮圈	RUBBER PLUG	
36	11072402	1	压线螺母	TENSION NUT	
37	11093605	1	止动垫圈	WASHER	
38	11093606	1	夹线弹簧	TENSION SPRING	
39	B3214047000	2	夹线盘	DISC TENSION	
40	22529473	1	夹线器组件	BOBBIN WINDER TENSION ASSY	
41	SS7110840SP	1	螺钉M4X8	SCREW M4X8	
42	10502300	1	割线刀	THREAD CUTTER	
43	B2702210000	1	绝缘垫	GUIDE PLATE	
44	40004252	1	拉簧挂柱	UTT_SUSPENSION_SCREW_9	
45	40003499	1	感应片	THREAD BREAK DETECTOR A	
46	B2703210000	1	绝缘垫	BUSHING	
47	SM6040860TP	1	螺钉M4X8	SCREW M4X8	
48	10006104	1	弹簧	TAKE-UP SPRING	
49	40010510	1	线夹座	THREAD_TENSION_POST_BASE	
50	SM80606A2TP	1	螺钉M6X6	SCREW M6X6	
51	RC1700001KP	1	卡簧	RETAINING RING	
52	40006265	1	线夹	ASSY_THREAD_TENSION_POST	
53	SM0860400SN	3	螺钉M2.5X4	SCREW M2.5X4	
54	40010514	1	限位片	DISK_STOPPER	
55	40010511	1	限位盖	DISK_STOPPER HOLDER_CAP	

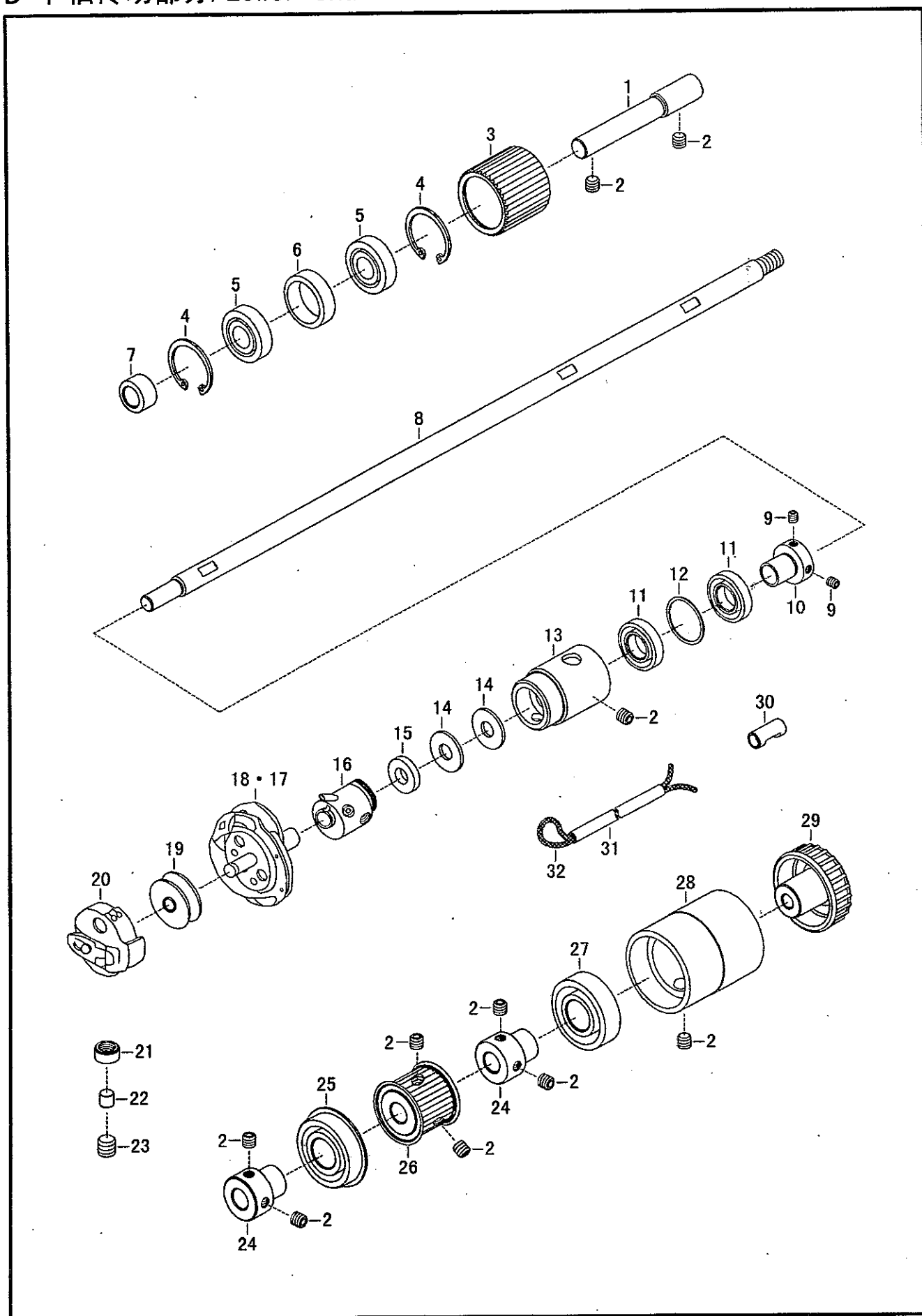
C 上轴传动部分/Upper shaft and needle bar mechanism



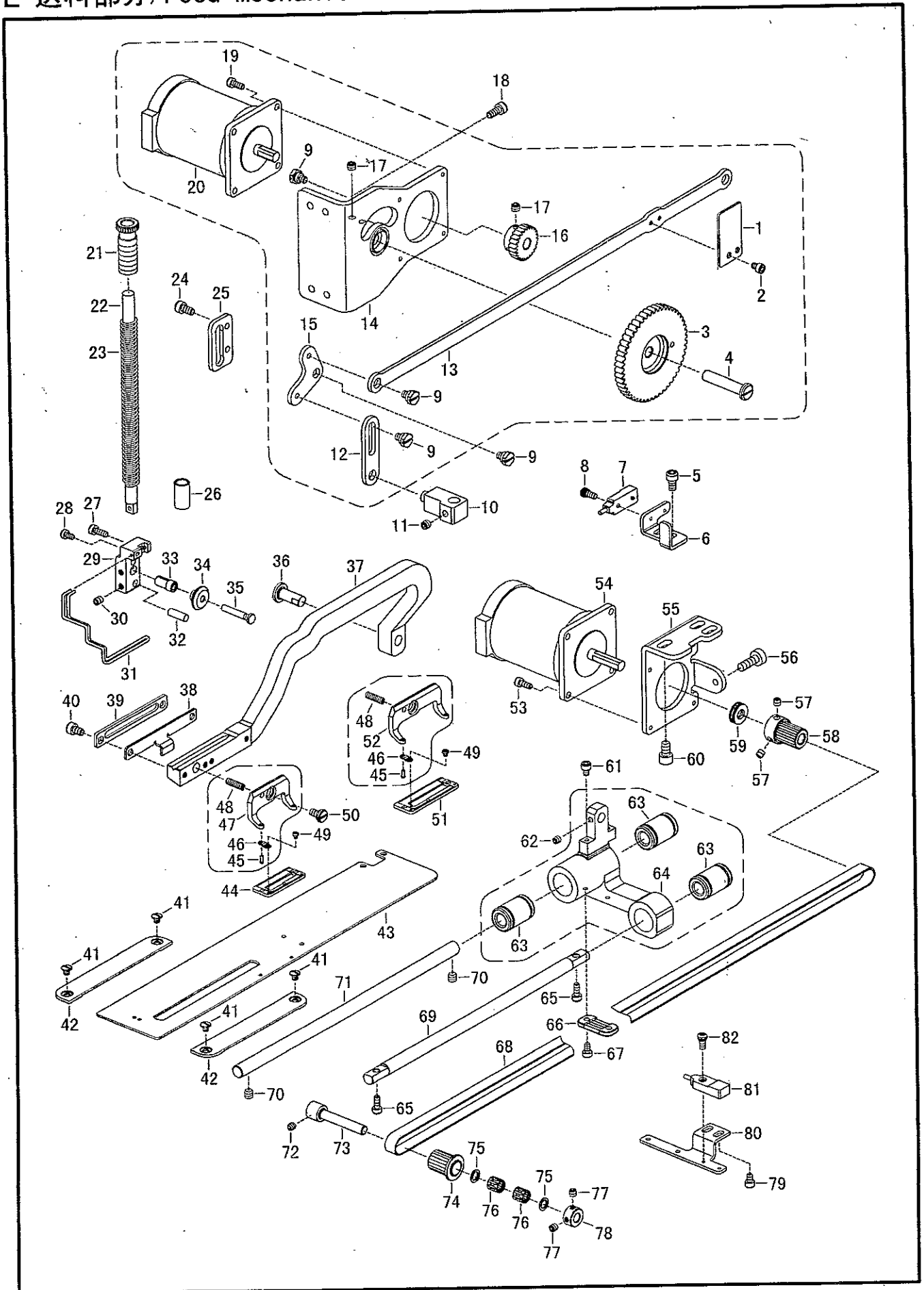
C 上轴传动部分/Upprer shaft and needle bar mechanism

参照号	零部件序号	数量	零部件名称	NAME OF PARTS	RM
1	40006300	1	连杆轴	THREAD TAKE_UP_CRANK_SHAFT	
2	SM80608A2TP	6	螺钉M6X8	SCREW M6X8	
3	22891204	2	垫片	BEARING SUPPORT	
4	40008339	2	滚针轴承	P=T NEEDLE BEARING SELECTIVE PARTS	
5	40010435	1	定位圈	THRUST_COLLAR	
6	SM8050412TP	2	螺钉M5X4	SCREW M5X4	
7	40080072	1	挑线杆	THREAD TAKE_UP_ASM	
8	SM6041202TP	2	螺钉M4X12	SCREW M4X12	
9	40083369	1	曲柄轴	NEEDLE_CRANK_SHAFT	
10	40022363	1	滑块定位座B	SQUARE_BLOCK_GUIDE_B	
11	40008426	1	滑块	SQUARE_BLOCK	
12	40008423	1	垫圈	WASHER	
13	40004206	1	滑块	SQUARE_BLOCK	
14	40006307	1	滑块定位座	SQUARE_BLOCK_GUIDE	
15	SM6062502TP	3	螺钉M6X25	SCREW M6X25	
16	40011517	1	油毡	NEEDLE_BAR_CRANK_FELT	
17	40004168	1	同步轮	SPROCKET_A	
18	SM80608A2TP	6	螺钉M6X8	SCREW M6X8	
19	SB120000800	1	轴承	BEARING	
20	40004167	1	上轴	MAIN_SHAFT	
21	SM8060612TP	2	螺钉M6X6	SCREW M6X6	
22	23605207	1	轴承座	BEARING HOLDER	
23	SB120002000	1	轴承	BEARING	
24	SM8081652TP	1	螺钉M8X16	SCREW M8X16	
25	40004171	1	定位螺钉	COUNTER_WEIGHT_SCREW	
26	40004170	1	挑线曲柄	COUNTER_WEIGHT	
27	SM8060612TP	1	螺钉M6X6	SCREW M6X6	
28	40004169	1	同步带	TIMING BELT	
29	SM80608A2TP	6	螺钉M6X8	SCREW M6X8	
30	23604309	1	联轴结	COUPLING	
31	40004179	1	弹簧挂柱	SUSPENSION_SCREW	
32	40004192	1	拉簧	ADJUSTING_SPRING	
33	40028015	1	主轴伺服电机	AC SERVO MOTOR	
34	SM6052002TR	4	螺钉M5X20	SCREW M5X20	
35	NM6100001SD	1	螺母M10	NUT M10	
36	40004184	1	调节板	IDLER_FIXED_PLATE	
37	13710504	1	垫圈	INTERMEDIATE SPROCKET WASHER	
38	40004185	1	夹线器组件	HINGE_SCREW	
39	WP0621046SP	1	平垫	WASHER	
40	11050804	1	拉簧挂柱	FEED LEVER SPRING HOOK	
41	SM9061403CP	1	螺钉M6X14	SCREW M6X14	
42	40004183	1	帐紧轮	IDLER_PULLEY	
43	RC3781518KP	2	卡圈	RETAINING RING	
44	SB110000700	2	轴承	BALL BEARING	
45	SM6104352TP	1	螺钉M10X42.5	SCREW M10X42.5	

D 下轴传动部分/Lower shaft and needle bar mechanism



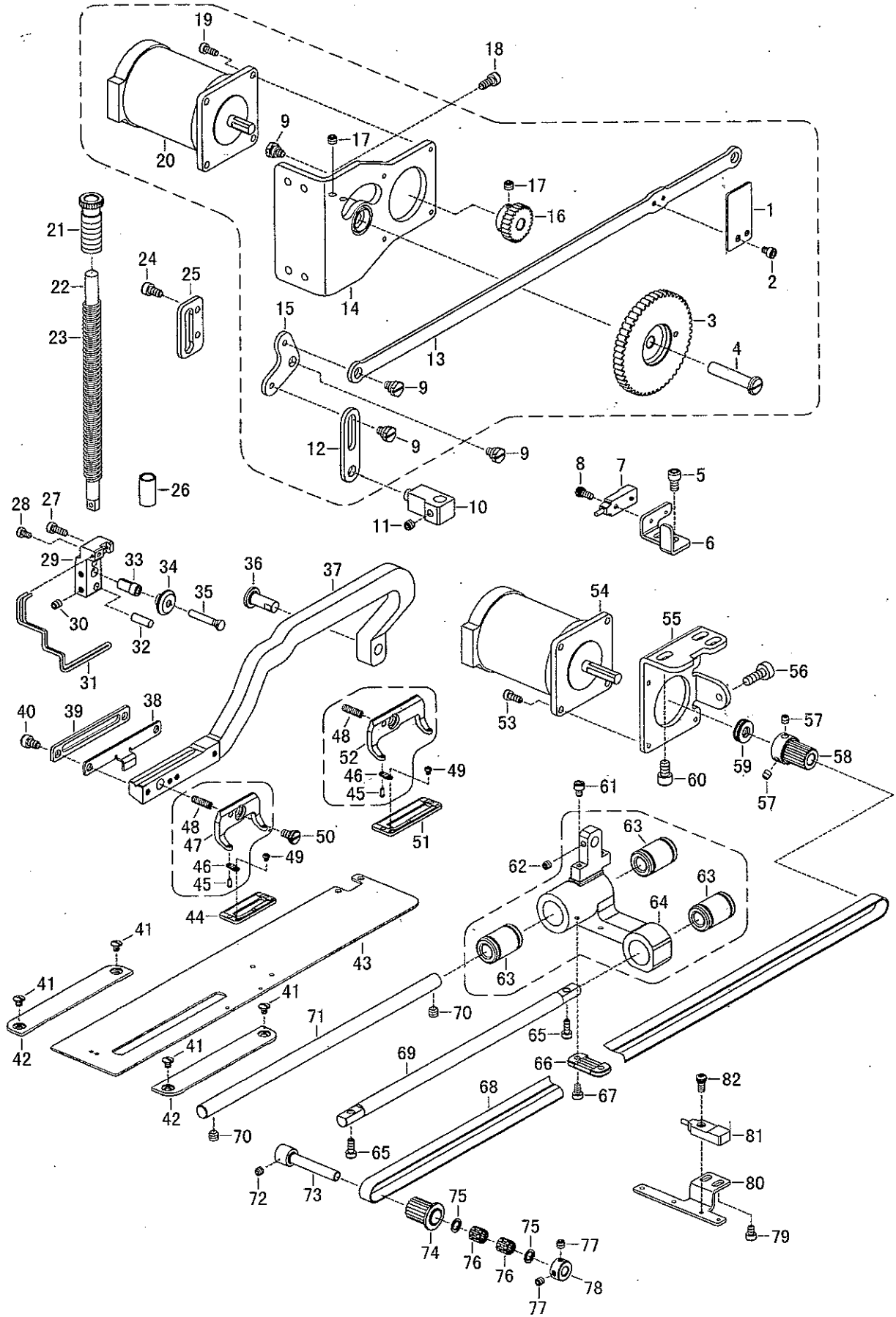
E 送料部分/Feed mechanism



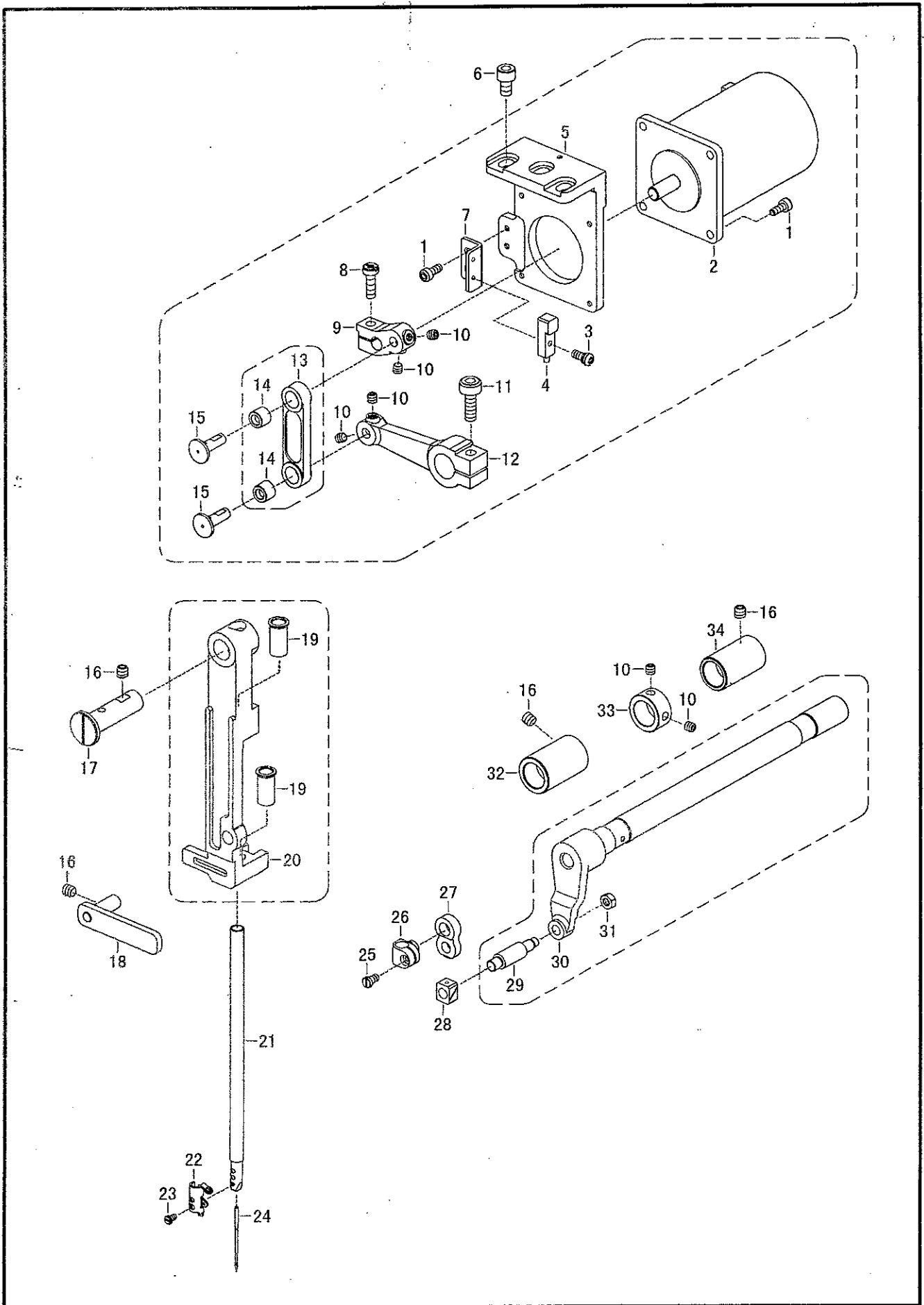
E 送料部分/Feed mechanism

参照号	零部件序号	数量	零部件名称	NAME OF PARTS	RM
1	40004278	1	传感器板	PBL_SENSOR_PLATE	
2	SM6040602TP	2	螺钉M4X6	SCREW M4X6	
3	40004289	1	压脚齿轮	ASSY PBL_GEARL	
4	40004275	1	齿轮轴	PBL_GEAR_SHAFT	
5	SM6051002TP	2	螺钉M5X10	SCREW M5X10	
6	40004277	1	传感器支架	PBL_SENSOR_BASE	
7	40005379	2	磁感应器	CLAMP_SENSOR_ASS'Y	
8	SL4031081SC	1	螺钉M3X10	SCREW M3X10	
9	SD0800326TP	5	台阶螺钉	SHOULDER_SCREW_D8_H3.2	
10	40004274	1	定位块	PBL_POSITION_BRACKET	
11	SM8060552TP	1	螺钉M6X5	SCREW M6X5	
12	40004273	1	连杆	PBL_FRONT_LINK	
13	40004270	1	传动杆	PBL_LONG_ROD	
14	40004267	1	压脚电机支架	ASSY_PBL_MOTOR_BASE	
15	40004282	1	连接板	PBL_L-LINK	
16	40004291	1	压脚齿轮	PBL_GEAR_S	
17	SM8060552TP	5	螺钉M6X5	SCREW M6X5	
18	SM6051202TP	4	螺钉M5X12	SCREW M5X12	
19	SM6041002TP	4	螺钉M4X10	SCREW M4X10	
20	40005373	1	步进电机	CLAMP_MOTOR_ASS'Y	
21	40004272	1	调节螺钉	PBL_SPRING_REGULATOR	
22	40004271	1	抬压脚轴	PBL_PRESSER_BAR	
23	40004281	1	压脚弹簧	PBL_COIL_SPRING	
24	SM6051002TP	4	螺钉M5X10	SCREW M5X10	
25	40004276	1	定位片	PBL_GUIDE	
26	40004279	1	压脚杆轴套	PBL_METAL	
27	SM6041602TP	1	螺钉M4X16	SCREW M4X16	
28	SM6040802TP	1	螺钉M4X8	SCREW M4X8	
29	40004283	1	滚轮支架	PBL_ROLLER_BASE	
30	SM8050602TP	2	螺钉M5X6	SCREW M5X6	
31	40004285	1	护架	PBL_FINGER_GUARD	
32	12259008	1	轴	PIN_SHORT	
33	13926308	1	调节套	COLLAR	
34	40019551	1	滚轮	SLIDE_ROLLER	
35	40004286	1	调节套	PBL_ROLLER_SHAFT	
36	40004288	1	定位轴	PBL_WORK_CLAMP_ARM_SHAFT	
37	40004287	1	压脚臂	PBL_WORK_CLAMP_ARM	
38	40020310	1	定位架	UTT_CLOSE_CAM_B	
39	40004280	1	压板	PBL_LIFTING_PLATE	
40	SM6050800SP	2	螺钉M5X8	SCREW M5X8	
41	SM5040550TP	4	螺钉M4X5	SCREW M4X5	
42	40075297	2	挡板	THROAT_PLATE_BASE_COVER	
43	40004205	1	送料板	WORK_CLAMP_CARRIER	
44	B1552781000A	1	压脚板	PRESSER	
45	B151077100B	2	轴	WORK_CLAMP_CHECK_SPRING_SET_PIN(B)	
46	B1509761000	2	连接板	WORK_CLAMP_CHECK_SPRING	
47	D1511771KA0A	1	压脚	PRESSER_FOOT	
48	B1512761000	2	弹簧	WORK_CLAMP_CHECK HOLDER SPRING	
49	SS6060210SP	2	螺钉3/32-56X3	SCREW 3/32-56X3	
50	SD0790203SP	1	台阶螺钉	HINGE_SCREW_D=7.94_H=2	
51	D1508772K00	1	压脚板	WORK_CLAMP_CHECK(2K)	
52	D1511772KA0	1	压脚	WORK_CLAMP_CHECK HOLDER	
53	SM6041002TP	4	螺钉M4X10	SCREW M4X10	
54	40005372	1	步进电机	FEED_MOTOR_ASS'Y	

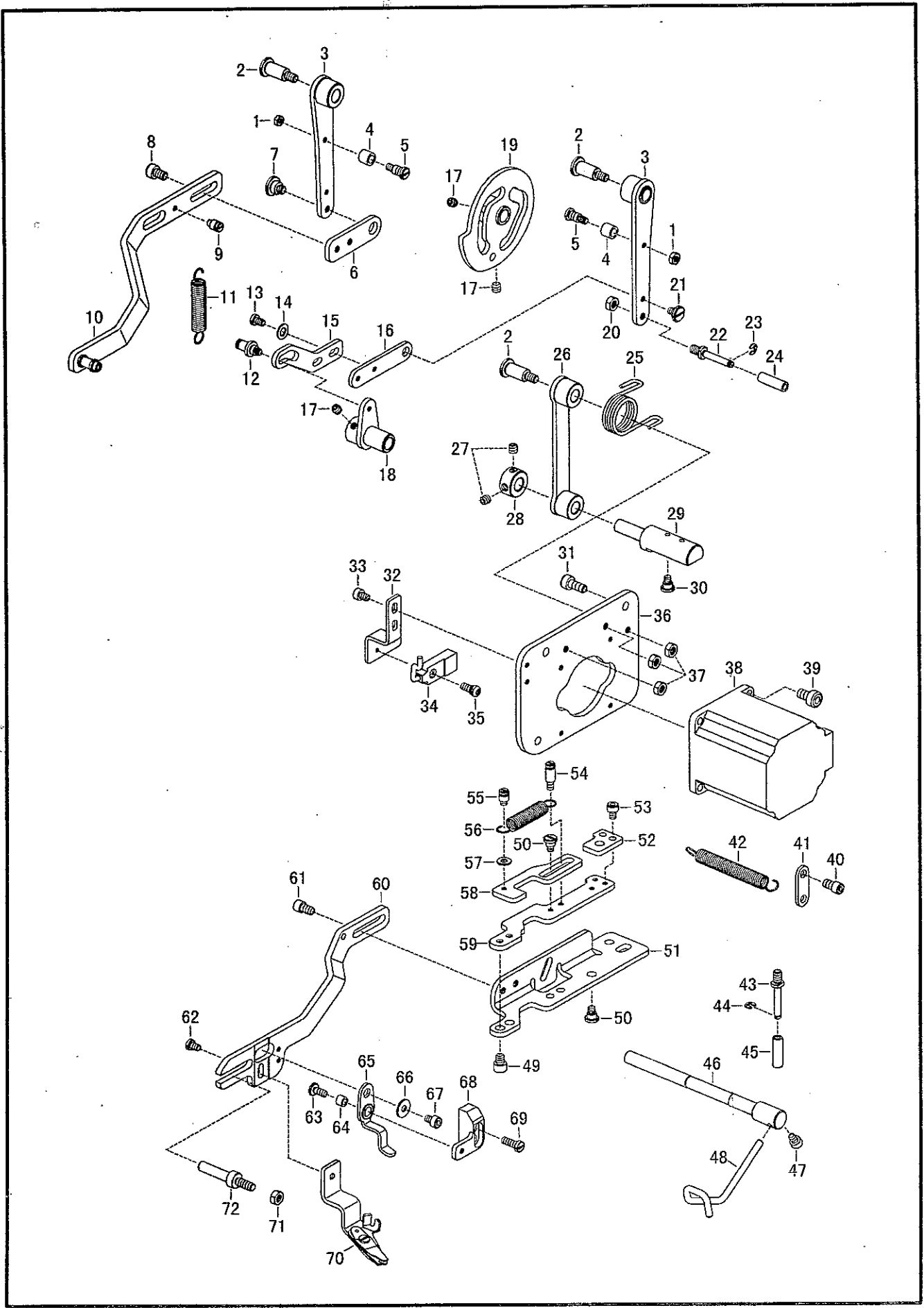
E 送料部分/Feed mechanism



F 针摆部分/Zigzag mechanism



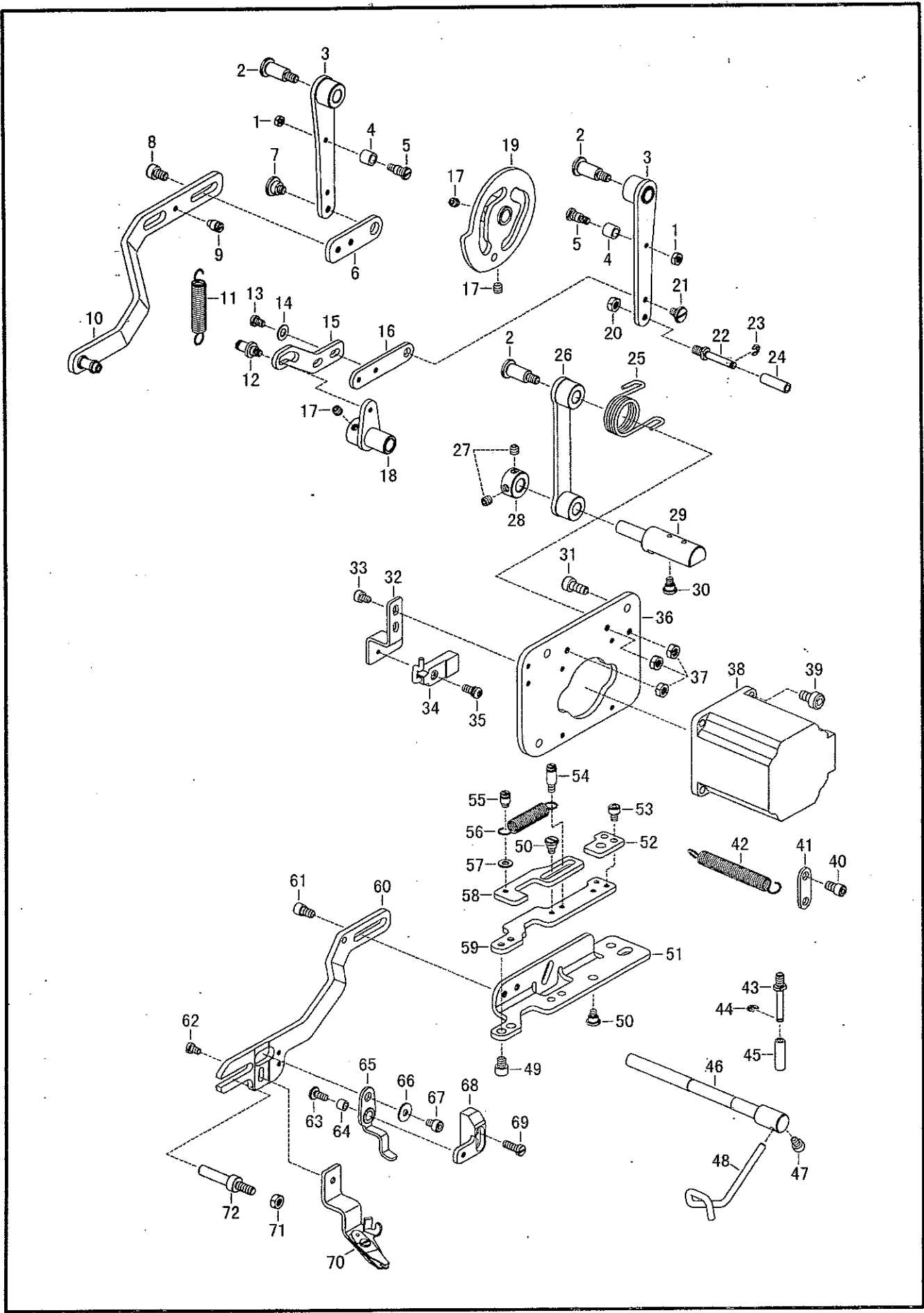
G 剪上线部分/Trimmer



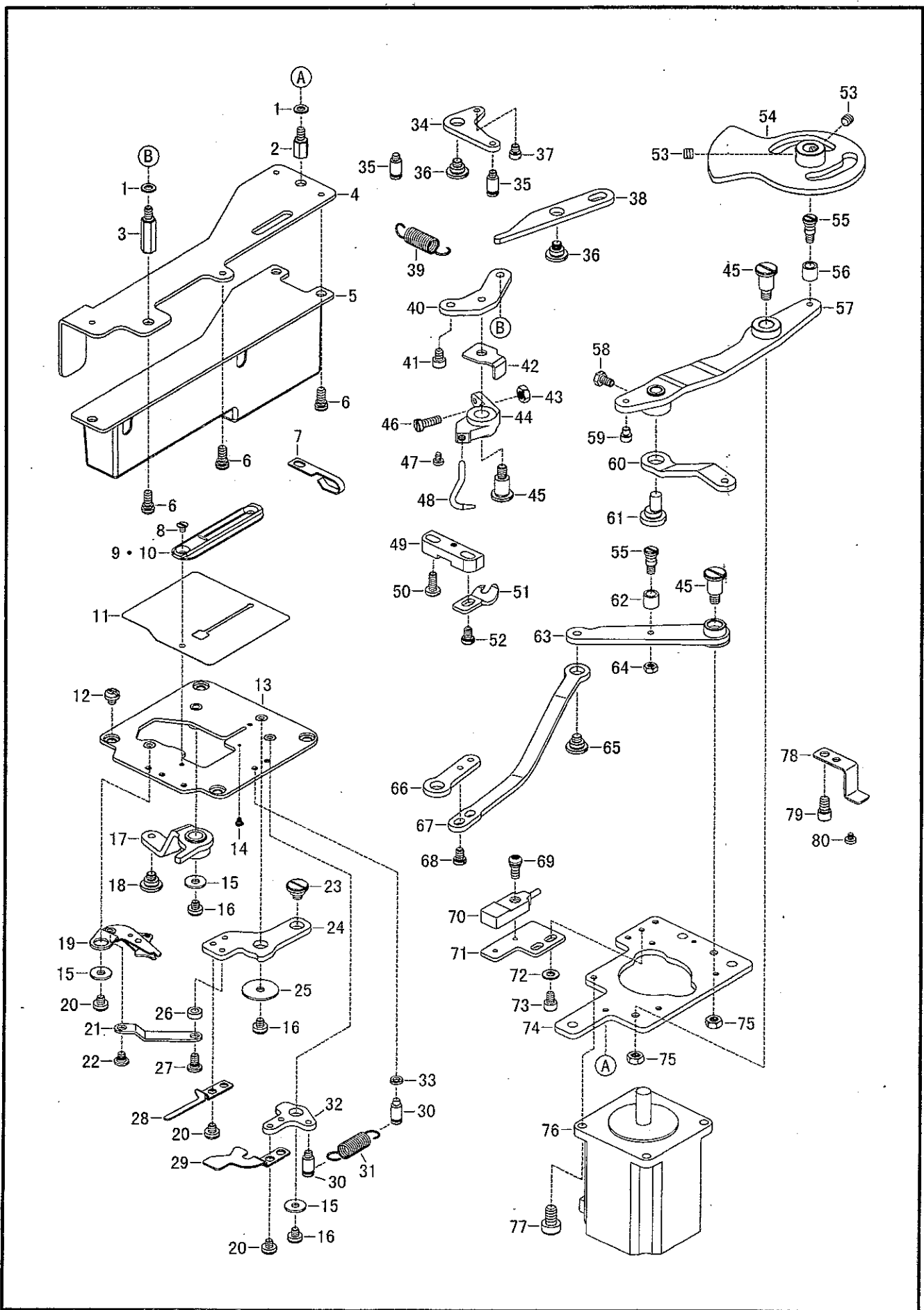
G 剪上线部分/Trimmer

参照号	零部件序号	数量	零部件名称	NAME OF PARTS	RM
1	NM604000SN	2	螺母M4	NUT M4	
2	SD0801506TP	3	台阶螺钉	SHOULDER SCREW D8.H15	
3	40004226	2	连杆	ASSY UTT CAM ARM	
4	40004254	2	凸轮滚筒	UTT CAM ROLLER	
5	40004253	2	凸轮滚筒轴	UTT CAM ROLLER SHAFT	
6	40004294	3	连接片	UTT RELEASE ARM A	
7	SD0800406TP	1	台阶螺钉	SHOULDER SCREW D8 H4	
8	SM6050800SP	2	螺钉M5X8	SCREW M5X8	
9	40004248	1	弹簧挂柱	UTT SUSPENSION SCREW 4	
10	40004400	1	连杆	ASSY UTT RELEASE ARM B	
11	MAZ16013000	1	拉簧	BUTTON SUPPORT LEVER SPRING	
12	40004247	1	台阶螺钉	UTT SUSPENSION SHOULDER SCREW	
13	SM6040600SP	2	螺钉M4X6	SCREW M4X6	
14	WP0550800SP	2	平垫	WASHER 5.5X10X0.8	
15	40004245	1	连接片B	UTT THREAD PULLING LINK B	
16	40004244	1	连接片A	UTT THREAD PULLING LINK A	
17	SM8050502TP	4	螺钉M5X5	SCREW M5X5	
18	40004240	1	定位杆	ASSY UTT THREAD PULLING ARM	
19	40004229	1	凸轮	ASSY UTT CAM	
20	NM6050001SP	1	螺母M5	NUT M5	
21	SD0600266TP	1	台阶螺钉	SHOULDER SCREW D6 H2.6	
22	40004298	1	定位轴	UTT Y-DRIVE SHAFT	
23	RE0300000K0	1	卡圈	E-RING 3	
24	40004297	1	滚筒	UTT Y-DRIVE ROLLER	
25	40004296	1	弹簧	UTT SUPPORT ARM SPRING	
26	40004232	1	连杆	ASSY UTT SUPPORT ARM	
27	SM8050412TP	2	螺钉M5X4	SCREW M5X4	
28	CS0800881TP	1	定位圈	THRUST COLLAR	
29	40004234	1	支撑轴	UTT SUPPORT SHAFT	
30	SD0600326TP	2	台阶螺钉	SHOULDER SCREW D6 H3.2	
31	SM6051202TP	3	螺钉M5X12	SCREW M5X12	
32	40004292	1	传感器座	UTT SENSOR BASE	
33	SM6040602TP	2	螺钉M4X6	SCREW M4X6	
34	40005380	1	传感器	UT TRIM SENSOR ASS'Y	
35	SL4031081SC	1	螺钉M3X10	SCREW M3X10	
36	40004293	1	电机支架	UTT BASE PLATE	
37	NM6050001SP	3	螺母M5	NUT M5	
38	40005374	1	剪上线步进电机	UT TRIM MOTOR ASS'Y	
39	SM6040802TP	4	螺钉M4X8	SCREW M4X8	
40	SM6050802TP	1	螺钉M5X8	SCREW M5X8	
41	40004249	1	拉簧拉片	UTT SUSPENSION PLATE	
42	40004250	1	拉簧	UTT TRIMMER CLOSE SPRING	
43	40004298	1	定位轴	UTT Y-DRIVE SHAFT	
44	RE0300000K0	1	卡圈	E-RING 3	
45	40004297	1	滚筒	UTT Y-DRIVE ROLLER	
46	40004246	1	拉杆轴	UTT THREAD PULLING SHAFT	
47	SM6040602TP	1	螺钉M4X6	SCREW M4X6	
48	40004243	1	拉杆	UTT THREAD PULLING LEVER	
49	SM6050652TP	2	螺钉M5X6	HEXAGON SOCKET HEAD SCREW M5X6	
50	SD0600326TP	2	台阶螺钉	SHOULDER SCREW D6 H3.2	
51	40004235	1	支架	UTT ARM A	
52	40015674	1	限位片	UTT_RETCH_STOPPER	
53	SM6040602TP	2	螺钉M4X6	SCREW M4X6	
54	40004252	1	拉簧挂柱	UTT SUSPENSION SCREW 9	
55	40004248	1	拉簧挂柱	UTT SUSPENSION SCREW 4	

G 剪上线部分/Trimmer



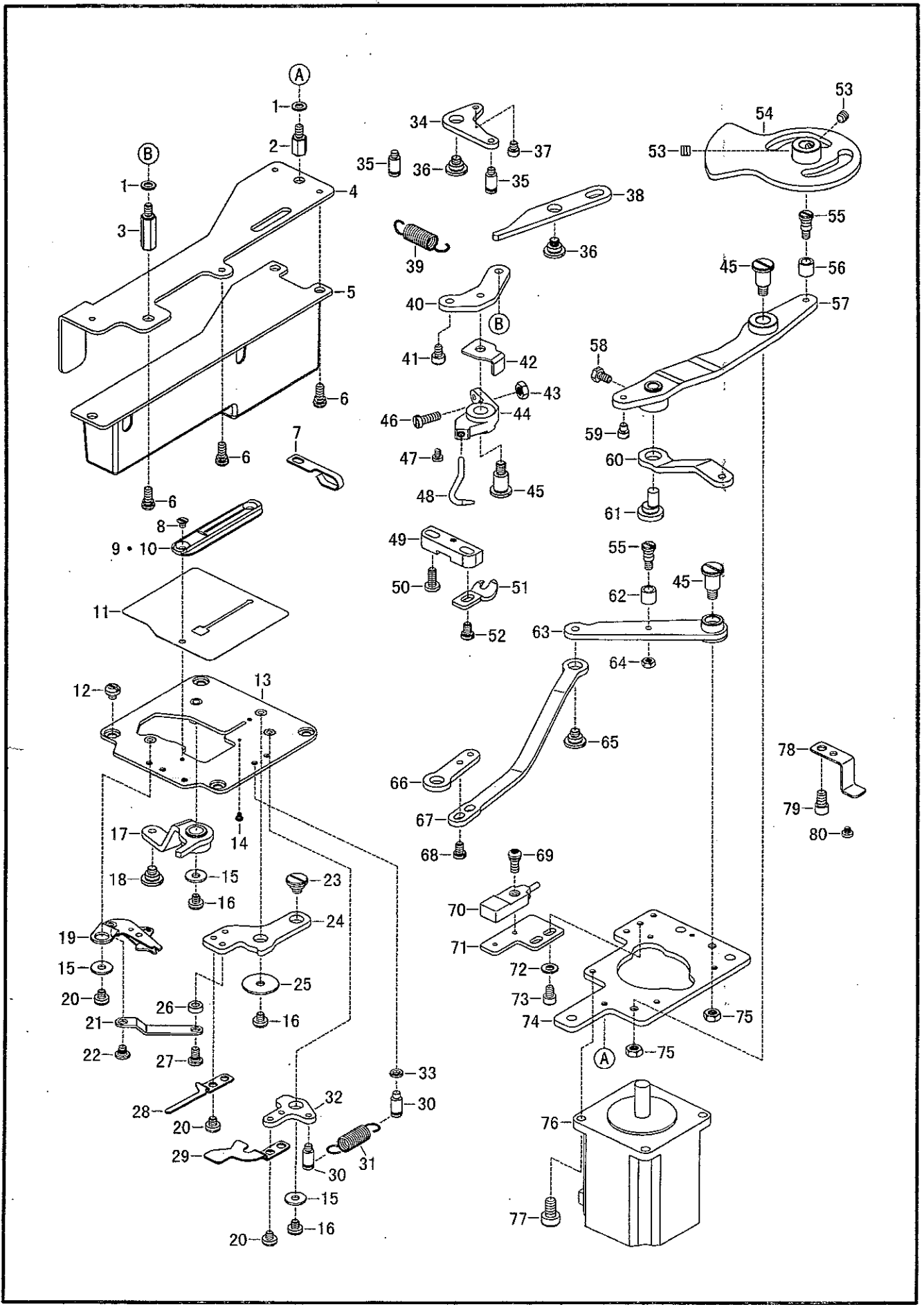
H 剪线部分/Thread trimmer mechanism



H 剪线部分/Thread trimmer mechanism

参照号	零部件序号	数量	零部件名称	NAME OF PARTS	RM
1	WP0430800SC	2	平垫M4	WASHER M4	
2	HX003390000	1	油壶安装柱	STUD	
3	HX00339000C	1	油壶安装柱	PARTS	
4	40004163	1	油壶座	OIL_TANK_PLATE	
5	40004164	1	油壶	OIL_TANK_ASM	
6	SL6040892TN	6	螺钉M4X8	SCREW M4X8	
7	26230409	1	线夹	LUBRICATING OIL WICK STOPPER	
8	SM1030400SP	2	螺钉M3X4	SCREW M3X4	
9	40027553	1	针板	THROAT_PLATE	
10	40027554	1	针板	THROAT_PLATE	
11	40004324	1	防油罩	OIL_SHIELD	
12	SM6040450TP	4	螺钉M4X4	SCREW M4X4	
13	40004301	1	针板把板	ASSY_THROAT_PLATE_BASE	
14	SD0250101SP	1	台阶螺钉	HINGE SCREW	
15	WP0431005SP	3	平垫M4	WASHER M4	
16	SM6040450TP	3	螺钉M4X4	SCREW M4X4	
17	40004321	1	传动杆	ASSY_BT_RELEASE_ARM	
18	SD0800296TP	4	台阶螺钉	SHOULDER SCREW D8 H2.9	
19	40004311	1	剪刀	BT_TRIMMER	
20	SM6040450TP	5	螺钉M4X4	SCREW M4X4	
21	40004308	1	连接片	BT_TRIMMER_LINK	
22	SD0500166TP	1	台阶螺钉	SHOULDER SCREW D5 H1.6	
23	SD0800296TP	2	台阶螺钉	SHOULDER SCREW D8 H2.9	
24	40004306	1	杠杆	BTT_LEVER	
25	WP0451016SP	1	平垫	WASHER 4.5X20X1	
26	B3013141H0A	1	垫圈	WASHER	
27	SD0500167TP	1	台阶螺钉	SHOULDER SCREW D5 H1.6	
28	40022322	1	挡片	BT_PULLER_B	
29	40022323	1	过线片	BT_CLAMP_B	
30	40004327	2	悬挂螺杆	SUSPENSION_SCREW	
31	40029613	1	弹簧	CLAMP_SPRING	
32	40004309	1	连接片	BT_CLAMP_LEVER	
33	B1623180000	1	垫圈	WASHER	
34	40004349	1	连接片	PICKER_ACTUATING_L_LINK	
35	40004327	2	拉簧螺杆	SUSPENSION_SCREW	
36	SD0800296TP	2	台阶螺钉	SHOULDER SCREW D8 H2.9	
37	40004299	1	止动销	STOPPER_PIN	
38	40004348	1	传动杆	PICKER_ACTUATING_LEVER	
39	40011327	1	弹簧	PICKER_SPRING	
40	40004347	1	安装板	PICKER_BASE_FITTING_PLATE	
41	SM6040602TP	1	螺钉M4X6	SCREW M4X6	
42	40004328	1	定位片	PICKER_BASE_STOPPER	
43	NM6040001SD	1	螺母M4	NUT M4	
44	40004345	1	传动架	PICKER_BASE	
45	SD0801006TP	1	台阶螺钉	SHOULDER SCREW D8 H10	
46	SM6041200SP	1	螺钉M4X12	SCREW M4X12	
47	SM4030455SN	1	螺钉M3X4	SCREW M3X4	
48	40004346	1	定位销	PICKER	
49	13729306	1	旋梭定位板	BOBBIN CASE POSITIONING PLATE	
50	SM4041050TP	2	螺钉M4X10	SCREW M4X10	
51	13727102	1	调节片	STOPPER A	
52	SM6040600SP	1	螺钉M4X6	SCREW M4X6	
53	SM8050412TP	2	螺钉M5X4	SCREW M5X4	
54	40004332	1	凸轮	ASSY_BTT_DRIVE_CAM	
55	40004253	2	滚轮轴	UTT_CAM_ROLLER_SHAFT	

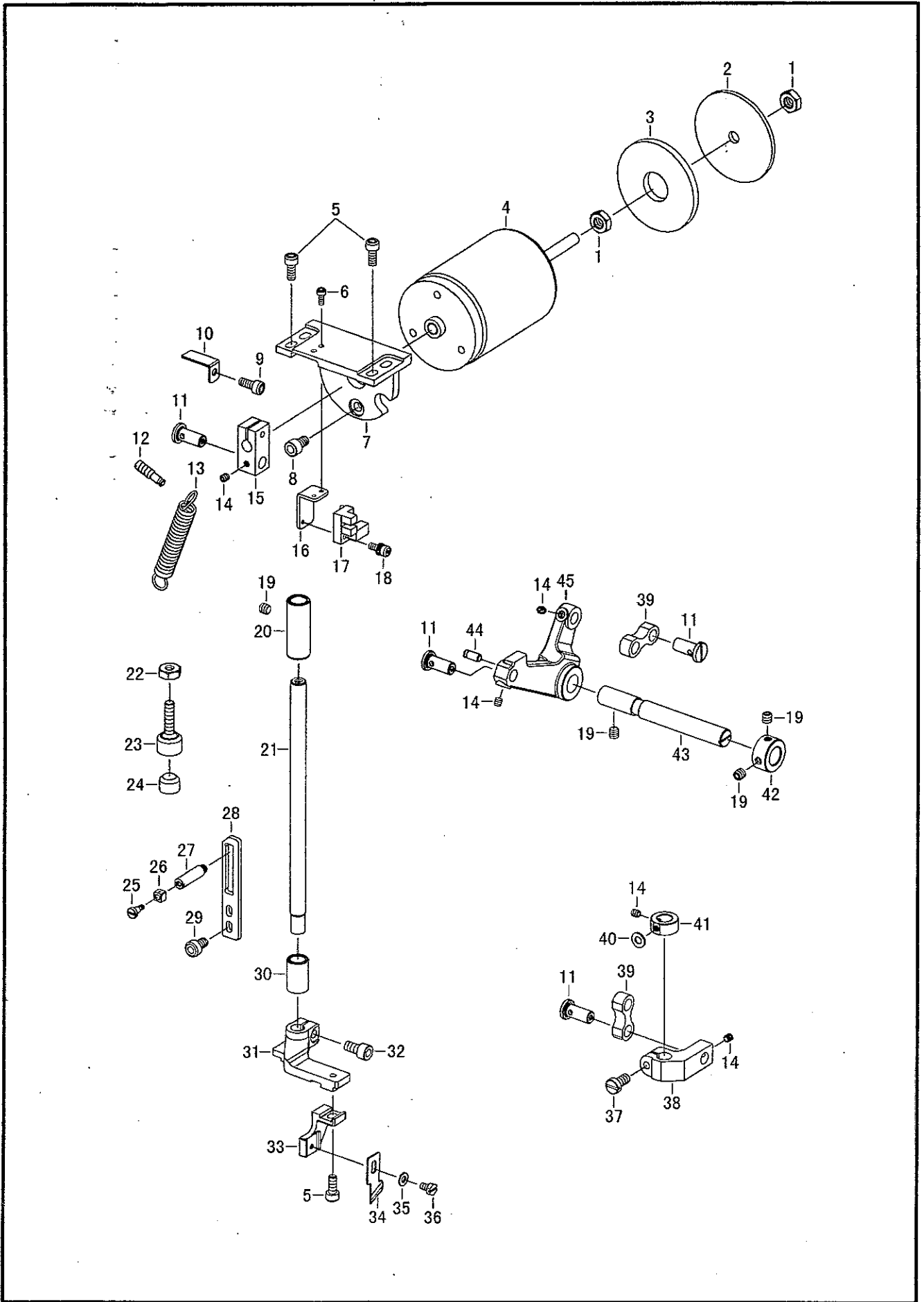
H 剪线部分/Thread trimmer mechanism



H 剪线部分/Thread trimmer mechanism

参照号	零部件序号	数量	零部件名称	NAME OF PARTS	RM
56	40004254	2	滚轮	UTT_CAM_ROLLER	
57	40004336	1	传动杆	ASSY_BTT_DRIVE_LEVER	
58	SM9040700SP	1	螺钉M4X7	SCREW M4X7	
59	40004299	1	止动销	STOPPER_PIN	
60	40004329	1	传动片	BTT_DRIVE_LINK	
61	13737408	1	连接杆	LINK ROD	
62	40004254	2	滚轮	UTT_CAM_ROLLER	
63	40004340	1	连杆	ASSY_BTT_RELEASE_LEVER	
64	NM6040001SD	1	螺母M4	NUT M4	
65	SD0800296TP	1	台阶螺钉	SHOULDER SCREW D8 H2.9	
66	40004343	1	连接片	BTT_RELEASE_LINK_F	
67	40004344	1	传动片	BTT_RELEASE_LINK_R	
68	SM6040600SP	2	螺钉M4X6	SCREW M4X6	
69	SL4031081SC	1	螺钉M3X10	SCREW M3X10	
70	40005381	1	磁感应器	LT TRIM SENSOR ASS'Y	
71	40004335	1	感应器	SENSOR FITTING PLATE_BT	
72	WP0430801SC	2	平垫M4	WASHER 4.3X9X0.8	
73	SM6040602TP	2	螺钉M4X6	SCREW M4X6	
74	40004331	1	电机安装板	BTT_DRIVE_UNIT_BASE	
75	NM6050001SP	2	螺母M5	NUT M5	
76	40005375	1	步进电机	LT TRIM MOTOR ASS'Y	
77	SM6040802TP	4	螺钉M4X8	SCREW M4X8	
78	14516801	1	开关压板	SAFETY SWITCH PRESSING PLATE	
79	SM6050802TP	3	螺钉M5X8	SCREW M5X8	
80	SM4030655SP	1	螺钉M3X6	SCREW M3X3	

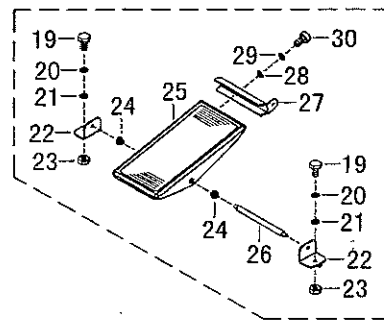
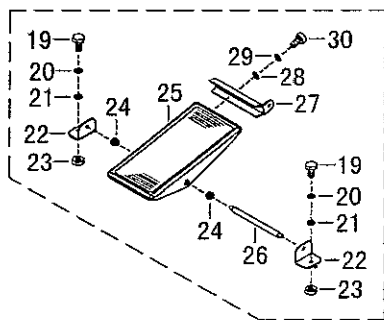
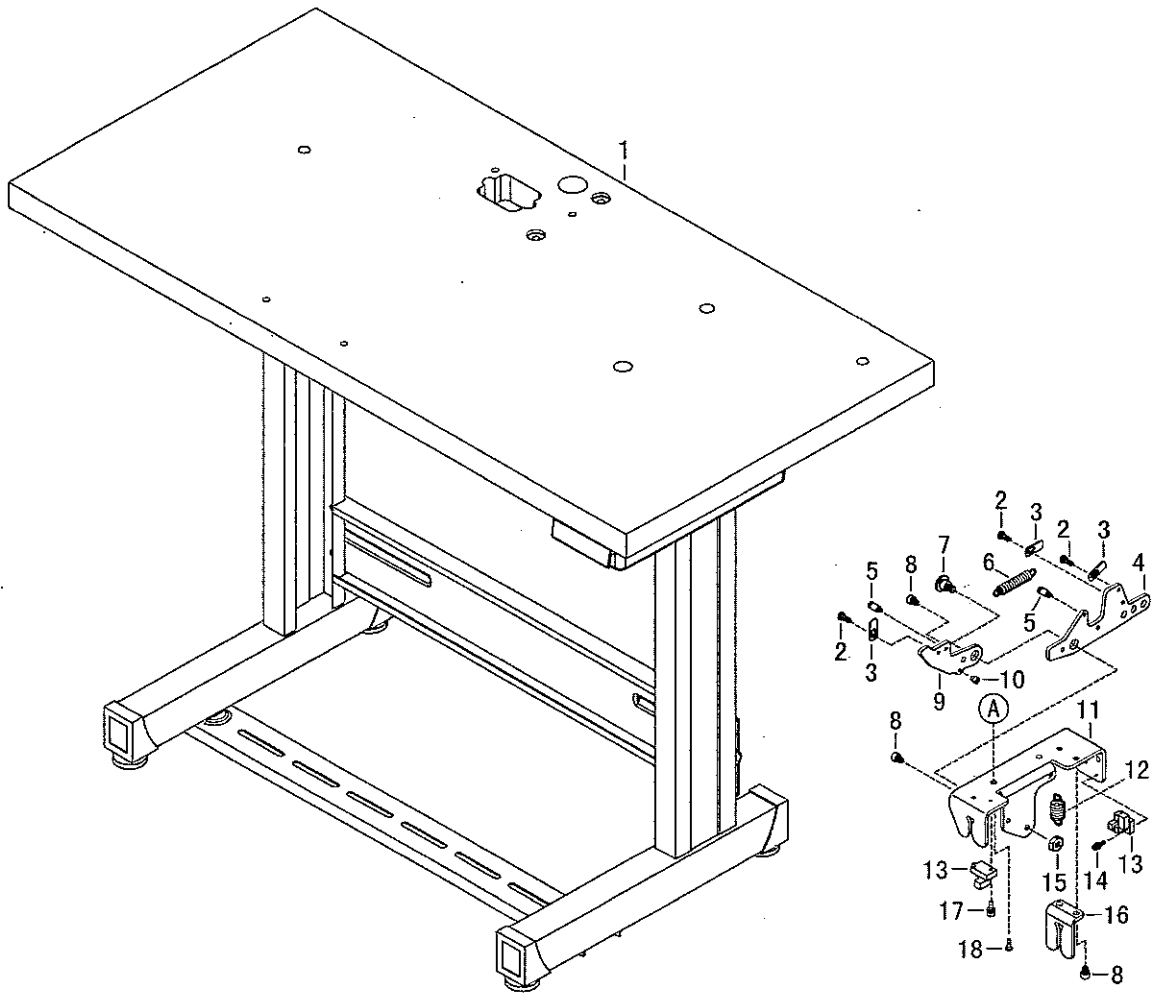
I 切刀部分/Cutter mechanism



I 切刀部分/Cutter mechanism

参照号	零部件序号	数量	零部件名称	NAME OF PARTS	RM
1	NM6080003SC	2	螺母M8	NUT M8	
2	40004383	1	开刀电磁铁挡片	PLATE A	
3	40004384	1	开刀电磁铁减震垫	CUSION	
4	40004382	1	开刀电磁阀	SOLENOID	
5	SM6051202TP	5	螺钉M5X12	SCREW M5X12	
6	SM6030802TP	2	螺钉M3X8	SCREW M3X8	
7	40004385	1	开刀电磁铁座	SOLENOID BASE	
8	SM6061002TP	3	螺钉M6X10	SCREW M6X10	
9	SM6051202TP	1	螺钉M5X12	SCREW M5X12	
10	40004387	1	感应器挡片	SENSOR SLIT PLATE	
11	40004392	4	定位轴	BELL CRANK SHAFT	
12	40004179	1	弹簧挂柱	SUSPENSION SCREW	
13	40004389	1	拉簧	SPRING	
14	SM8050502TP	1	螺钉M5X5	SCREW M5X5	
15	40009788	1	连接座	KNIFE HOLDER	
16	40004386	1	感应器座	SENSOR PLATE	
17	HD00057000A	1	传感器	PHOTO SENSOR	
18	SL4031091SC	1	螺钉M3X10	SCREW M3X10	
19	SM8060612TP	4	螺钉M6X6	SCREW M6X6	
20	40004398	1	刀杆上轴套	KNIFE BAR BUSH	
21	40004394	1	开刀轴	KNIFE BAR	
22	NM6060002SD	1	螺母M6	NUT M6	
23	40004391	1	限位螺钉	KNIFE BAR DRIVING STOP SCREW	
24	13750807	1	减震垫	KNIFE DRIVING LEVER STOPPER	
25	SD0400506TP	1	台阶螺钉	SHOULDER SCREW D4 H5	
26	40006315	1	滑块	SQUARE BLOCK	
27	40080415	1	台阶螺钉	KNIFE BAR SUPPORT SHAFT	
28	40004211	1	定位片	SUPPORT GUIDE	
29	SM6040802TP	2	螺钉M4X8	SCREW M4X8	
30	40040276	1	刀杆下轴套	KNIFE BAR LOWER BUSHING	
31	40004396	1	上刀支架	KNIFE BAR BASE	
32	SM6061202TP	1	螺钉M6X12	SCREW M6X12	
33	40004393	1	上刀支架	KNIFE FITTING BASE	
34	B2702047L00A	1	上刀	KNIFE 1/2	
35	WP0430801SC	1	平垫M4	WASHER 4. 3X9X0. 8	
36	SM9040700SP	1	螺钉M4X7	SCREW M4X7	
37	SM6061200SP	1	螺钉M6X12	SCREW M6X12	
38	40004397	1	刀杆支架	KNIFE BAR BRACKET	
39	13746508	2	连杆	KNIFE BAR CONNECTING LINK	
40	WP0522016SH	1	平垫M5	WASHER 5. 2X10. 3X1	
41	40056603	1	定位圈	COLLAR B	
42	CS1201171TP	1	定位圈	THRUST COLLAR D=12 W=11	
43	40004395	1	传动架	KNIFE LEVER SHAFT	
44	13738802	1	拉簧挂柱	SUSPENSION SCREW	
45	40004390	1	刀杆传动杆	KNIFE BAR DRIVING LEVER	

J 踏板部分/Foot switch pedal mechanism

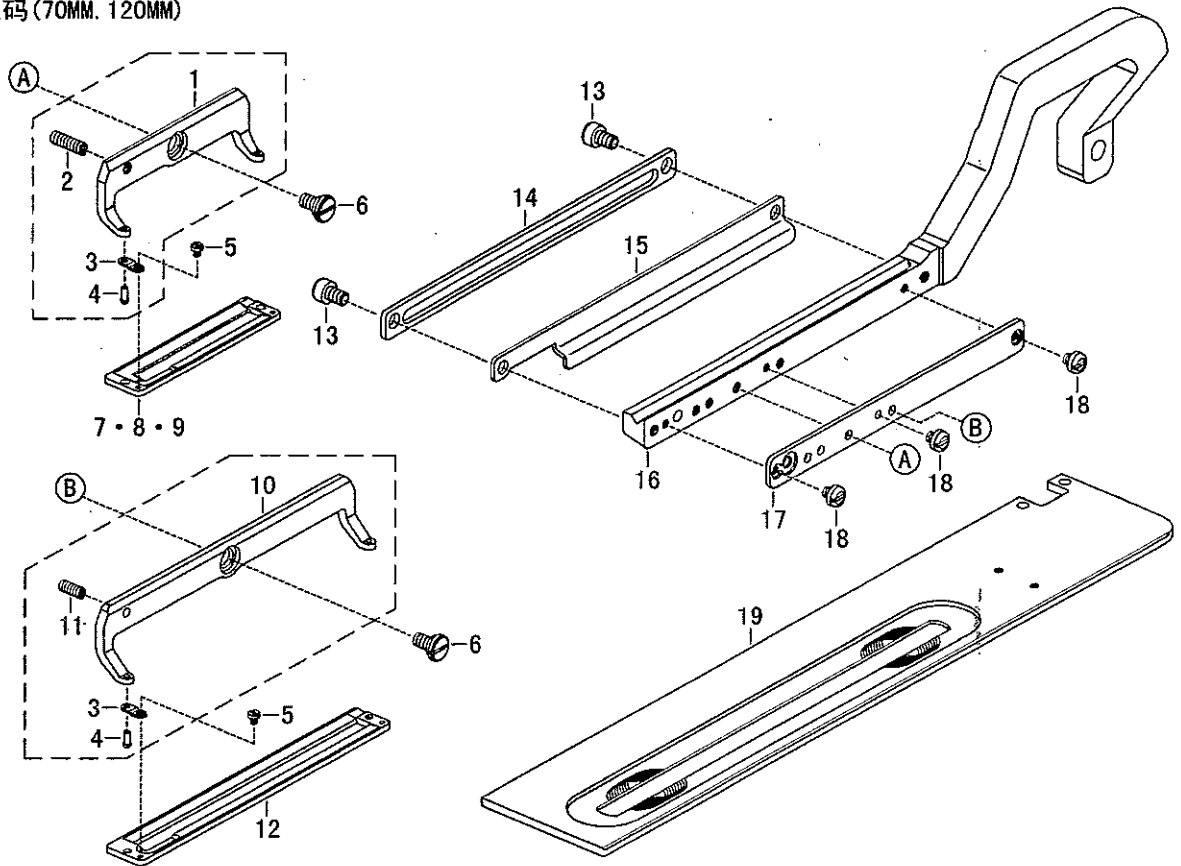


J 踏板部分/Foot switch pedal mechanism

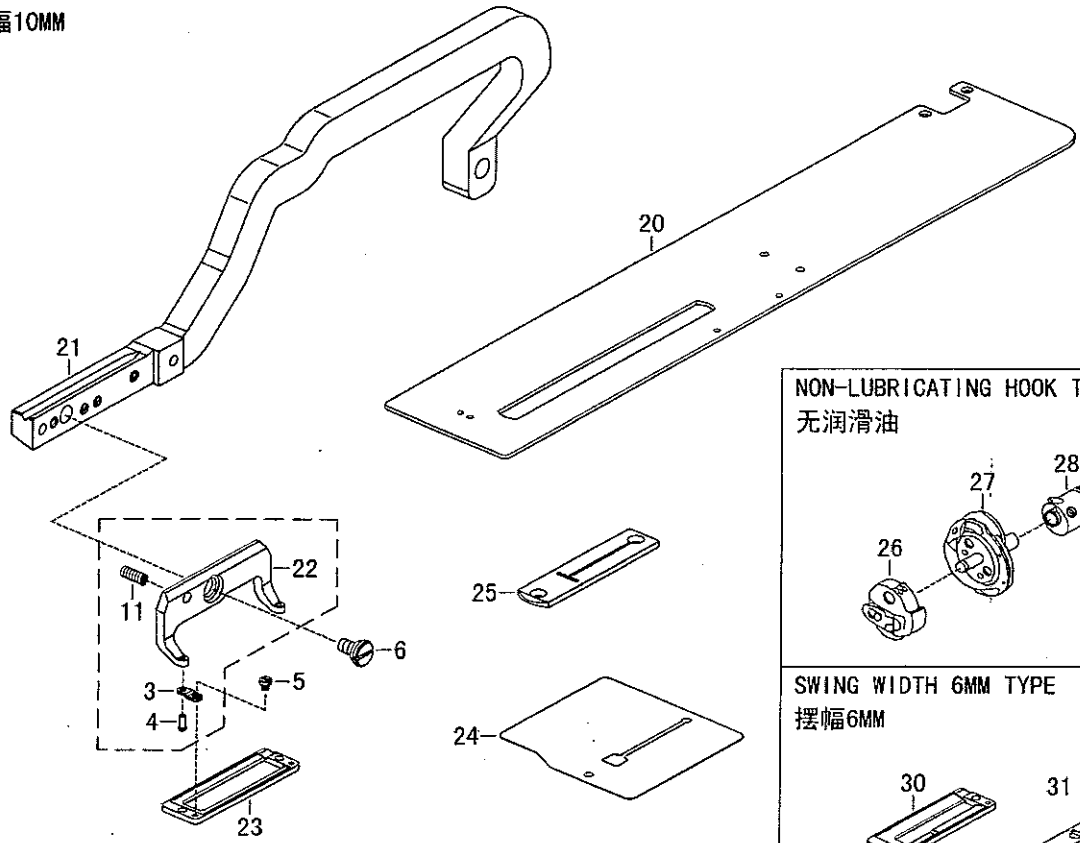
参照号	零部件序号	数量	零部件名称	NAME OF PARTS	RM
1	40006306	1	桌子	TABLE	
2	SM5040655SN	3	螺钉	SCREW	
3	40004364	3	感应器挡片	SENSOR DETECTING PLATE	
4	40004361	1	踏板挡片	PEDAL FRAME A	
5	40004327	2	台阶螺钉	SUSPENSION SCREW	
6	13731906	1	拉簧	SPRING	
7	SD1000646TP	1	台阶螺钉	SHOULDER SCREW D10 H6.4	
8	SM6050652TP	4	螺钉	HEXAGON SOCKET HEAD SCREW M5X6	
9	40004362	1	踏板支架	PEDAL FRAME B	
10	40004299	1	止动销	STOPPER PIN	
11	40004360	1	踏板安装架	PEDAL FRAME	
12	B2583210D00	1	拉簧	SPRING	
13	HD00057000A	2	传感器	PHOTO SENSOR	
14	SL6031042TN	1	螺钉	SCREW	
15	NM6060001CP	1	螺母M6	NUT M6	
16	40004363	1	挡片	PEDAL FRAME GUIDE	
17	SL4031091SC	1	螺钉M3X10	SCREW M3X10	
18	SK3482001SE	1	螺钉	WOOD SCREW D=4.8 L=20	
19	SM9082023SE	4	螺钉M8X20	SCREW M8X20	
20	WS0861410KR	4	垫片8.6X15X1.4	SPRING WASHER 8.6X15X1.4	
21	WP0871602SE	4	垫片8.7X18X1.6	WASHER 8.7X18X1.6	
22	11159001	4	定位支架	PEDAL SHAFT BEACKET	
23	NM6080721SE	4	螺母M8	NUT M8	
24	D8113555B00	4	轴套	PEDAL BUSHING	
25	GPF060600A0	2	脚踏板	PEDAL ASM	
26	B8153771000	2	连杆	PEDAL CONNECTING ROD	
27	GPF06080000	2	调整板	PEDAL ADJUSTING PLATE	
28	WP0671016SE	2	垫片6.7X13X1	WASHER 6.7X13X1	
29	WS0621210KR	2	垫片6.2X11.4X1.2	SPRING WASHER 6.2X11.4X1.2	
30	SM9061203SE	2	螺钉M6X12	SCREW M6 L=12	

K 不同规格零件/Different Parts List

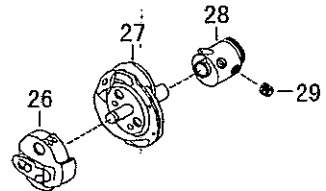
LARGE SIZE TYPE (FOR 70MM. 120MM)
大尺码 (70MM. 120MM)



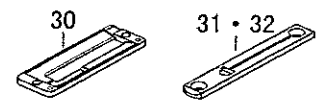
SWING WIDTH 10MM TYPE
摆幅10MM



NON-LUBRICATING HOOK TYPE
无润滑油



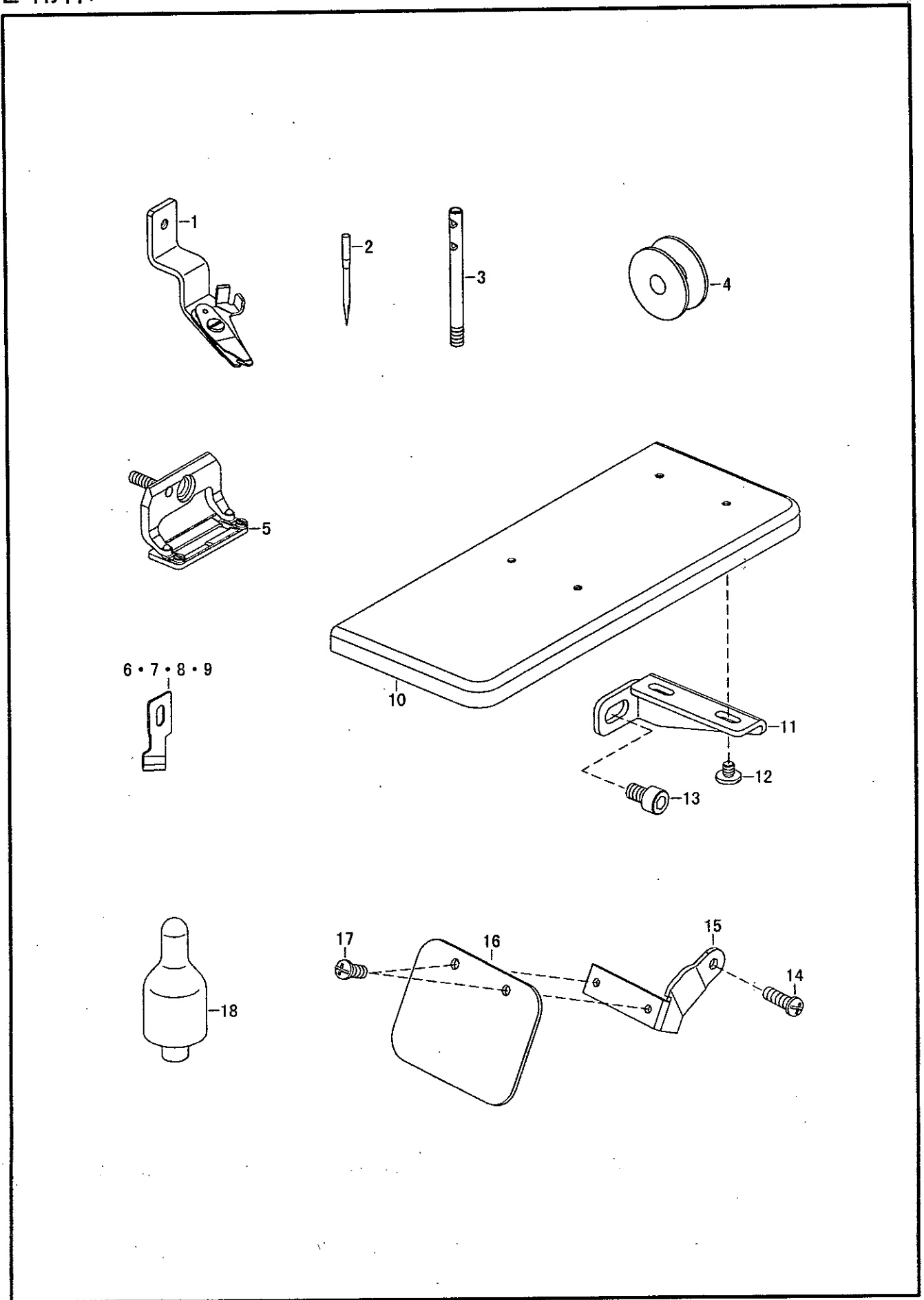
SWING WIDTH 6MM TYPE
摆幅6MM




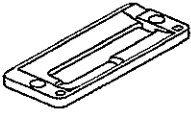
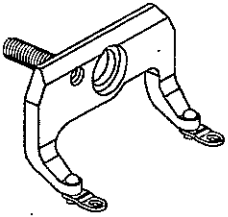
K 不同规格零件/Different Parts List

参照号	零部件序号	数量	零部件名称	NAME OF PARTS	RM
1	14523203	1	压脚	PRESSER FOOT 70	
2	B1512761000	1	弹簧	PRESSER FOOT HOLDER SPRING	
3	B1509761000	3	连接板	PRESSER FITTING PLATE SPRING	
4	B151077100B	3	压脚销	PRESSER FOOT PIN B	
5	SS6060210SP	3	螺钉	SCREW	
6	SD0790203SP	3	螺钉	HINGE SCREW	
7	14523708	1	压脚板	URETHANE PRESSER 70	
8	14524102	1	压脚板	PRESSER 70 (FLAT)	
9	14523401	1	压脚板	PRESSER 70	
10	40008647	1	压脚	WORK CLAMP CHECK HOLDER 120	
11	40008638	2	弹簧	WORK CLAMP CHECK HOLDER SPRING	
12	40008658	1	压脚板	WORK CLAMP 120	
13	SM6050800SP	2	螺钉M5X8	SCREW M5X8	
14	40006342	1	升降板	LIFTING PLATE 120	
15	40028682	1	定位架	UTT CLOSE CAM 120B	
16	40006335	1	压脚臂	WORK CLAMP ARM 120	
17	40006340	1	压板	WORK CLAMP HOLDER SPACE	
18	SM6040450TP	3	螺钉M4X4	SCREW M4X4	
19	40006339	1	送料板	WORK CLAMP CARRIER 120	
20	40020012	1	送料板	WORK CLAMP CARRIER (10X41)	
21	40020013	1	压脚臂	WORK CLAMP ARM (10X41)	
22	40020011	1	压脚	WORK CLAMP HOLDER (3-10)	
23	40017810	1	压脚板	WORK CLAMP (3S-10)	
24	40015802	1	防油罩	OIL SHIELD 10	
25	40015733	1	针板	THROAT PLATE (S10)	
26	40006349	1	梭芯套	RP BOBBIN CASE	
27	40006345	1	旋梭	RP HOOK ASM	
28	13729603	1	梭座	HOOK SLEEVE	
29	SS8660612TP	4	螺钉M6X6	SCREW M6X6	
30	14524409	1	压脚板	PRESSER 6MM	
31	40004351	1	针板	THROAT PLATE (S6)	
32	40004353	1	针板	THROAT PLATE (K6)	

L 附件/Accessories



M 附件/Accessories

		Cloth Cutting Knife 切布刀	Presser Foot (Length of Cloth Cutting Knife) 压脚(切布刀长度)			Presser Foot (Presser Size) 压脚(压板尺寸)
						
		标准 Standard	标准 Standard	袜类 For Hosiery	标准(摆幅6mm) Standard (For swing width 6mm)	标准 Standard
inch	mm	Ref. no	Ref. no	Ref. no	Ref. no	Ref. no
1/4	6.4	1	12 (6.4-19.1mm)	15 (6.4-19.1mm)	18 (6.4-31.8mm)	19 (Type 1)
3/8	9.5	2				
7/16	11.1	3				
1/2	12.7	4				
9/16	14.3	5				
5/8	15.9	6				
11/16	17.5	7				
3/4	19.1	8				
7/8	22.2	9	13	16	20 (Type 2)	
1	25.4	10	(6.4-25.4mm)	(6.4-25.4mm)		
1-1/4	31.8	11	14 (6.4-31.8mm)	17 (6.4-31.8mm)		21 (Type 3)

N 索引/Index

编 号	数量	参考号	页码
10006104	1	48	6
10502300	1	42	6
11050804	1	40	8
11072402	1	36	6
11093605	1	37	6
11093606	1	38	6
11159001	4	22	28
11272507	1	56	20
12259008	1	32	12
13700406	1	70	4
13700505	1	67	4
13700604	2	65	4
13700703	1	71	4
13705405	1	34	2
13706403	1	22	16
13710306	1	1	10
13710405	1	6	10
13710504	1	37	8
	1	7	10
13727102	1	51	22
13729066	1	18	10
13729306	1	49	22
13729603	1	28	30
13729660	1	16	10
13729769	1	20	10
13731906	1	6	28
13737408	1	61	24
13738802	1	44	26
13746508	2	39	26
13750807	1	24	26
13782065	1	17	10
13785803	1	11	32
13900956	1	39	2
13922208	1	33	2
13926308	1	33	12
14101208	1	18	32
14504401	1	28	10
14516801	1	78	24
14523203	1	1	30
14523401	1	9	30
14523708	1	7	30
14524102	1	8	30
14524409	1	30	30
	1	18	34
22502504	1	5	2
	1	3	32
22528764	1	28	2
22529473	1	40	6

编 号	数量	参考号	页码
22891204	2	3	8
	1	75	14
23530405	2	14	16
23536204	2	24	10
23604309	1	30	8
23605207	1	22	8
23630007	1	31	10
26230409	1	14	2
	1	7	22
26260109	1	18	6
26260208	1	26	6
26260307	1	15	6
26260406	1	32	6
26260505	1	13	6
26260604	1	33	6
26261206	1	25	6
26261701	1	27	6
26261702	1	28	6
32055402	1	2	6
40003001	1	35	6
40003002	1	29	6
40003422	1	25	2
40003493	1	53	2
40003494	1	48	2
40003495	1	57	4
40003496	1	58	4
40003497	1	49	2
40003499	1	45	6
40004153	1	1	2
40004154	1	9	2
40004155	1	6	2
40004156	1	46	2
40004157	1	12	2
40004158	1	74	4
40004159	1	16	2
40004160	1	73	4
40004161	1	22	2
40004163	1	4	22
40004164	1	5	22
40004167	1	20	8
40004168	1	17	8
40004169	1	28	8
40004170	1	26	8
40004171	1	25	8
40004179	1	31	8
	1	12	26
40004180	1	3	10
40004181	1	26	10

编 号	数量	参考号	页码
40004183	1	42	8
40004184	1	36	8
40004185	1	38	8
40004186	1	8	10
40004187	1	13	10
40004188	1	10	10
40004192	1	32	8
40004194	1	55	14
40004195	1	80	14
40004196	1	58	14
40004197	1	74	14
40004198	1	73	14
40004199	1	68	14
40004200	1	66	14
40004201	1	71	14
40004204	1	64	14
40004205	1	43	12
40004206	1	13	8
40004209	1	27	16
40004211	1	28	26
40004212	1	20	16
40004213	2	19	16
40004214	1	26	16
40004215	1	21	16
40004216	1	32	16
40004217	1	34	16
40004218	1	18	16
40004221	1	17	16
40004226	2	3	18
40004229	1	19	18
40004232	1	26	18
40004234	1	29	18
40004235	1	51	18
40004236	1	59	20
40004238	1	60	20
40004240	1	18	18
40004243	1	48	18
40004244	1	16	18
40004245	1	15	18
40004246	1	46	18
40004247	1	12	18
40004248	1	9	18
	1	55	18
40004249	1	41	18
40004250	1	42	18
40004252	1	44	6
	1	54	18
40004253	2	5	18

N 索引/Index

编号	数量	参考号	页码
	2	55	24
40004254	2	4	18
	2	56	24
	2	62	24
40004255	1	70	20
	1	1	32
40004264	1	68	20
40004265	1	64	20
40004267	1	14	12
40004270	1	13	12
40004271	1	22	12
40004272	1	21	12
40004273	1	12	12
40004274	1	10	12
40004275	1	4	12
40004276	1	25	12
40004277	1	6	12
40004278	1	1	12
40004279	1	26	12
40004280	1	39	12
40004281	1	23	12
40004282	1	15	12
40004283	1	29	12
40004285	1	31	12
40004286	1	35	12
40004287	1	37	12
40004288	1	36	12
40004289	1	3	12
40004291	1	16	12
40004292	1	32	18
40004293	1	36	18
40004294	3	6	18
40004296	1	25	18
40004297	1	24	18
	1	45	18
40004298	1	22	18
	1	43	18
40004299	1	37	22
	1	59	24
	1	10	28
40004301	1	13	22
40004306	1	24	22
40004308	1	21	22
40004309	1	32	22
40004311	1	19	22
40004321	1	17	22
40004324	1	11	22
40004327	2	30	22

编号	数量	参考号	页码
	2	35	22
	2	5	28
40004328	1	42	22
40004329	1	60	24
40004331	1	74	24
40004332	1	54	22
40004335	1	71	24
40004336	1	57	24
40004340	1	63	24
40004343	1	66	24
40004344	1	67	24
40004345	1	44	22
40004346	1	48	22
40004347	1	40	22
40004348	1	38	22
40004349	1	34	22
40004351	1	31	30
40004353	1	32	30
40004360	1	11	28
40004361	1	4	28
40004362	1	9	28
40004363	1	16	28
40004364	3	3	28
40004367	1	20	2
40004371	1	2	16
40004373	1	30	16
40004374	1	29	16
40004375	1	5	16
40004376	1	7	16
40004377	1	9	16
40004379	1	13	16
40004380	1	12	16
40004382	1	4	26
40004383	1	2	26
40004384	1	3	26
40004385	1	7	26
40004386	1	16	26
40004387	1	10	26
40004389	1	13	26
40004390	1	45	26
40004391	1	23	26
40004392	4	11	26
40004393	1	33	26
40004394	1	21	26
40004395	1	43	26
40004396	1	31	26
40004397	1	38	26
40004398	1	20	26

编号	数量	参考号	页码
40004400	1	10	18
40005372	1	54	12
40005373	1	20	12
40005374	1	38	18
40005375	1	76	24
40005377	1	4	16
40005379	2	7	12
	1	81	14
40005380	1	34	18
40005381	1	70	24
40005402	1	19	2
40005403	1	76	4
40006261	1	4	6
40006263	1	10	6
40006264	1	7	6
40006265	1	52	6
40006300	1	1	8
40006306	1	1	28
40006307	1	14	8
40006312	1	21	10
40006314	1	66	4
40006315	1	26	26
40006317	1	12	10
40006320	1	15	10
40006321	1	30	10
40006322	1	22	10
40006335	1	16	30
40006339	1	19	30
40006340	1	17	30
40006342	1	14	30
40006345	1	27	30
40006349	1	26	30
40008339	2	4	8
40008423	1	12	8
40008426	1	11	8
40008638	2	11	30
40008647	1	10	30
40008658	1	12	30
40008671	2	15	16
40008889	1	10	32
40008977	3	63	4
40008978	1	72	4
40009037	1	31	2
40009148	1	4	32
40009788	1	15	26
40010435	1	5	8
	1	78	14
40010510	1	49	6

N 索引/Index

编 号	数量	参考号	页码
40010511	1	55	6
40010512	2	6	6
40010514	1	54	6
40010522	2	5	6
40011144	1	12	6
40011145	1	30	6
40011147	1	31	6
40011327	1	39	22
40011355	2	14	10
40011517	1	16	8
40015674	1	52	18
40015702	1	58	20
40015733	1	25	30
40015802	1	24	30
40017810	1	23	30
40019551	1	34	12
40020011	1	22	30
40020012	1	20	30
40020013	1	21	30
40020310	1	38	12
40021932	1	24	6
40021933	1	21	6
40022121	1	69	14
40022322	1	28	22
40022323	1	29	22
40022363	1	10	8
40027553	1	9	22
40027554	1	10	22
40028015	1	33	8
40028634	1	65	20
40028636	1	72	20
40028682	1	15	30
40029613	1	31	22
40040276	1	30	26
40049424	1	15	32
40056603	1	41	26
40075297	2	42	12
40080072	1	7	8
40080415	1	27	26
40083369	1	9	8
B1116804000	2	10	2
B1150490000	1	27	2
B1414232000	1	28	16
B1509761000	2	46	12
	3	3	30
B151077100B	2	45	12
	3	4	30
B1512761000	1	48	12

编 号	数量	参考号	页码
	1	2	30
B1552781000A	1	44	12
	1	12	34
B1552782000	1	13	34
B15527820A0	1	5	32
B1552783000	1	14	34
B1623180000	1	33	22
B1811771000	1	19	10
B2583210D00	1	12	28
B2702047A00	1	7	34
B2702047F00	1	1	34
B2702047I00	1	3	34
B2702047K00A	1	9	32
	1	2	34
B2702047L00A	1	34	26
	1	8	32
	1	4	34
B2702047M00A	1	7	32
	1	6	34
B2702047N00	1	8	34
B2702047P00	1	9	34
B2702047Q00A	1	6	32
	1	10	34
B2702047S00A	1	11	34
B2702047V00	1	5	34
B2702210000	1	43	6
B2703210000	1	46	6
B3013141HOA	1	26	22
B3120372000	1	16	32
B3214047000	2	39	6
B8153771000	2	26	28
CQ202000000	1	32	10
CS0800881TP	1	28	18
CS1201171TP	1	42	26
CS1501181TP	1	33	16
D1508771K00A	1	15	34
D1508772K00	1	51	12
	1	16	34
D1508773K00	1	17	34
D1511771KA0A	1	47	12
	1	19	34
D1511772KA0	1	52	12
	1	20	34
D6056555B00	1	79	4
D8113555B00	4	24	28
E2002855000	1	75	4
E3724715000	1	36	2
G8039870000	1	29	10

编 号	数量	参考号	页码
GPF060600A0	2	25	28
GPF06080000	2	27	28
HD00057000A	1	17	26
	2	13	28
HM0003800A0	1	52	2
HM000550010	1	77	4
HX00150000A	1	51	2
HX003390000	4	26	2
	1	2	22
HX00339000C	1	3	22
MAZ16013000	1	11	18
MDP5JOB1100	1	24	16
MDP5JOB1102	1	2	32
NM6030001SD	2	56	4
NM6040000SN	2	1	18
NM6040001SD	1	43	22
	1	64	24
NM6050001SP	1	31	16
	1	20	18
	3	37	18
	1	71	20
	2	75	24
NM6060001CP	1	15	28
NM6060001SD	2	81	4
NM6060002SD	1	22	26
NM6080003SC	2	1	26
NM6080721SE	4	23	28
NM6100001SD	1	35	8
RC0700618KP	3	11	6
RC1700001KP	1	51	6
RC2791218KP	2	4	10
RC3781518KP	2	43	8
RE0300000K0	1	23	18
	1	44	18
SB110000600	2	5	10
SB110000700	2	44	8
SB112001600	2	11	10
SB115000200	1	27	10
SB115001500	1	25	10
SB120000800	1	19	8
SB120002000	1	23	8
SB307000200	2	76	14
SB408000100	1	59	14
SB710000600	3	63	14
SD0250101SP	1	14	22
SD0400506TP	1	25	26
SD0500166TP	1	22	22
SD0500167TP	1	27	22

N 索引/Index

编号	数量	参考号	页码
SD0600266TP	1	21	18
SD0600326TP	2	30	18
	2	50	18
SD0790203SP	1	50	12
	3	6	30
SD0800296TP	4	18	22
	2	23	22
	2	36	22
	1	65	24
SD0800326TP	5	9	12
SD0800406TP	1	7	18
SD0801006TP	1	45	22
SD0801506TP	3	2	18
SD1000646TP	1	7	28
SK3482001SE	1	18	28
SL4030890SC	2	40	2
SL4031081SC	1	8	12
	1	82	14
	1	3	16
	1	35	18
	1	69	24
SL4031091SC	1	18	26
	1	17	28
SL4031690SC	2	59	4
SL4042581SC	2	18	2
SL6031042TN	1	14	28
SL6040892TN	4	24	2
	6	6	22
SM0860400SN	3	53	6
SM1030400SP	2	8	22
SM1043001SP	2	78	4
SM4030455SN	1	47	22
SM4030655SP	1	80	24
SM4041050TP	2	50	22
SM4041055TP	2	20	6
SM4051055SP	6	2	2
	4	7	2
	2	8	2
	1	11	2
	4	23	2
	3	47	2
SM4051655SP	4	17	2
	1	8	16
SM5040550TP	1	23	6
	4	41	12
SM5040655SN	3	2	28
SM6030500SN	1	23	16
SM6030802TP	2	6	26

编号	数量	参考号	页码
SM6040450TP	4	12	22
	3	16	22
	5	20	22
	3	18	30
SM6040600SP	2	13	18
	1	62	20
	1	52	22
	2	68	24
SM6040601SP	2	17	32
SM6040602TP	1	15	2
	2	21	2
	1	30	2
	2	2	12
	2	61	14
	2	79	14
	2	33	18
	1	47	18
	2	53	18
	1	67	20
	1	41	22
	2	73	24
SM6040750TP	1	25	16
SM6040802TP	6	50	2
	1	28	12
	2	67	14
	4	39	18
	4	77	24
	2	29	26
SM6040850TP	2	54	2
SM6040860TP	1	47	6
	1	63	20
SM6041001SP	1	14	32
SM6041002TP	4	19	12
	4	53	12
	2	65	14
	6	1	16
SM6041200SP	2	69	20
	1	46	22
SM6041202TP	2	8	8
SM6041204TP	1	22	6
SM6041602TP	1	27	12
SM6050652TP	2	49	18
	4	8	28
SM6050800SP	2	40	12
	2	8	18
	2	13	30
SM6050802TP	1	32	2
	1	35	2

编号	数量	参考号	页码
	3	3	6
	1	40	18
	2	61	20
	3	79	24
SM6051002TP	2	5	12
	4	24	12
SM6051202TP	4	18	12
	3	31	18
	5	5	26
	1	9	26
SM6052002TR	4	34	8
SM6061002TP	4	68	4
	3	60	14
	3	6	16
	3	8	26
	1	13	32
SM6061200SP	1	37	26
SM6061202TP	1	32	26
SM6061802TP	1	56	14
	1	11	16
SM6062502TP	3	15	8
SM6067052TP	1	64	4
SM6104352TP	1	45	8
SM8030412TP	3	1	6
SM8040612TP	2	34	6
SM8050412TP	2	6	8
	2	77	14
	2	27	18
	2	53	22
SM8050502TP	1	14	6
	1	17	6
	2	9	10
	2	57	14
	1	62	14
	1	72	14
	6	10	16
	4	17	18
	1	14	26
SM8050602TP	2	30	12
SM8060552TP	1	11	12
	5	17	12
SM8060612TP	2	21	8
	1	27	8
	4	19	26
SM80606A2TP	2	69	4
	1	50	6
	10	2	10
	2	70	14

N 索引/Index

编 号	数量	参考号	页码
	4	16	16
SM80608A2TP	6	2	8
	6	18	8
	6	29	8
SM8080812TP	1	23	10
SM8081652TP	1	24	8
SM9040700SP	1	58	24
	1	36	26
SM9040800SP	1	9	6
SM9061203SE	2	30	28
SM9061403CP	1	41	8
SM9082023SE	4	19	28
SS6060210SP	2	49	12
	3	5	30
SS7110570SP	2	12	32
SS7110840SP	1	41	6
SS8660612TP	4	29	30
TA0550604RO	1	38	2
TA0750404RO	2	4	2
TA0850604RO	1	37	2
TA0950806RO	1	42	2
TA1050504RO	1	41	2
	1	43	2
TA1120804RO	1	3	2
TA1250406RO	1	13	2
	1	29	2
	1	44	2
TA1550902RO	1	45	2
WP0311201SP	2	55	4
WP0430800SC	2	1	22
WP0430801SC	1	57	20
	2	72	24
	1	35	26
WP0431005SP	1	66	20
	3	15	22
WP0450801SP	2	19	6
WP0451016SP	1	25	22
WP0522016SH	1	40	26
WP0550800SP	2	14	18
WP0612056SD	1	80	4
WP0621046SP	1	39	8
WP0660801SP	2	16	6
WP0671016SE	2	28	28
WP0871602SE	4	21	28
WS0410002KP	1	8	6
WS0621210KR	2	29	28
WS0861410KR	4	20	28

编 号	数量	参考号	页码
-----	----	-----	----

编 号	数量	参考号	页码
-----	----	-----	----