

SUNSHINE[®]

Industrial Sewing Machines.

MODEL 3400 SERIES

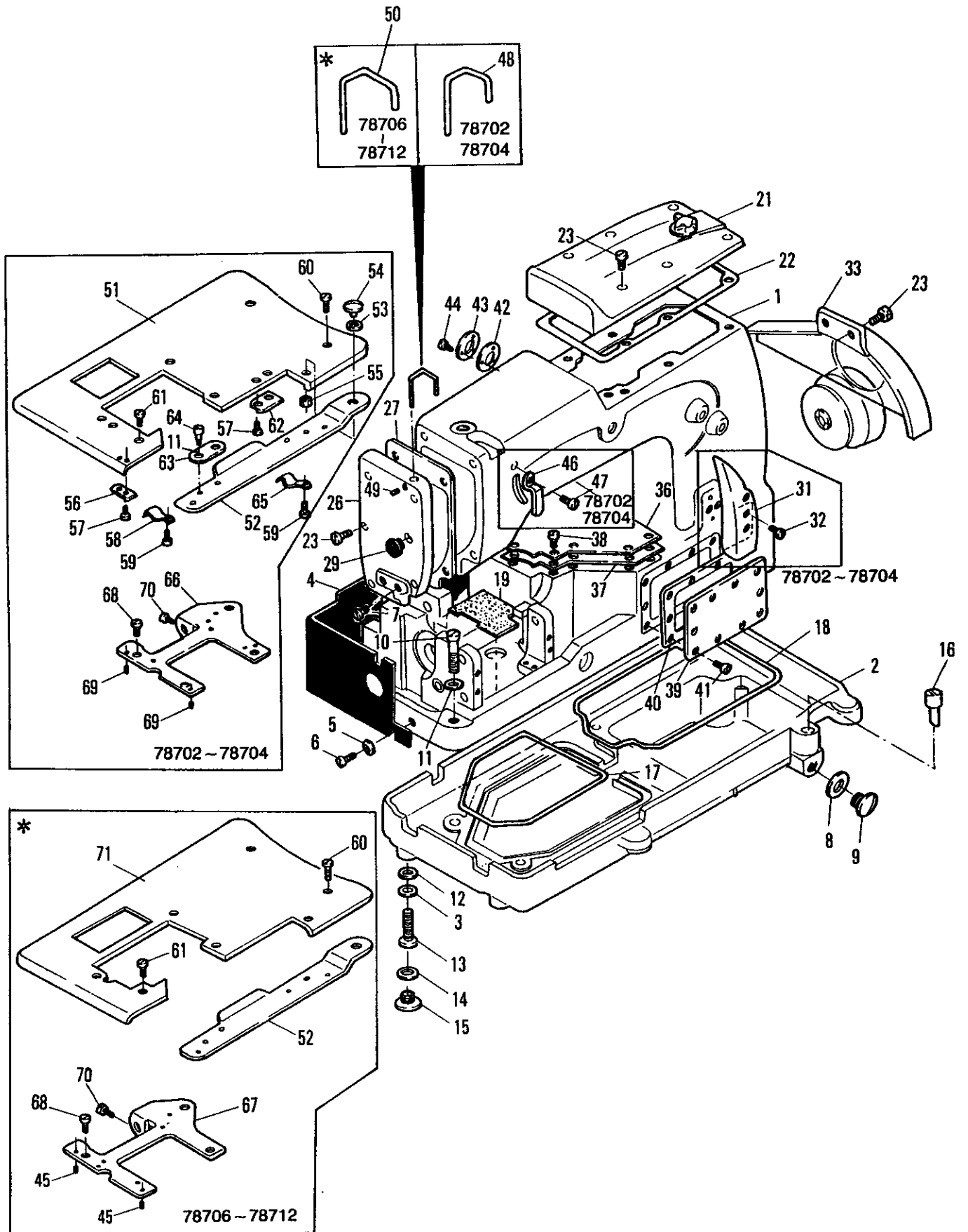
PARTS BOOK

**MOD. 3404P
3404PMD
3406PTA
3412P
3412PS**

Contents

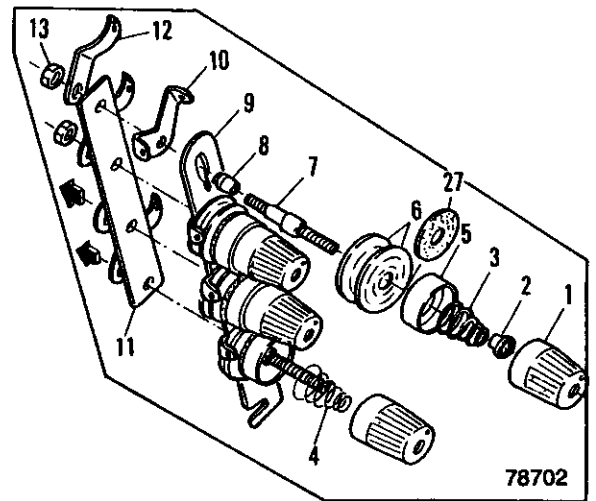
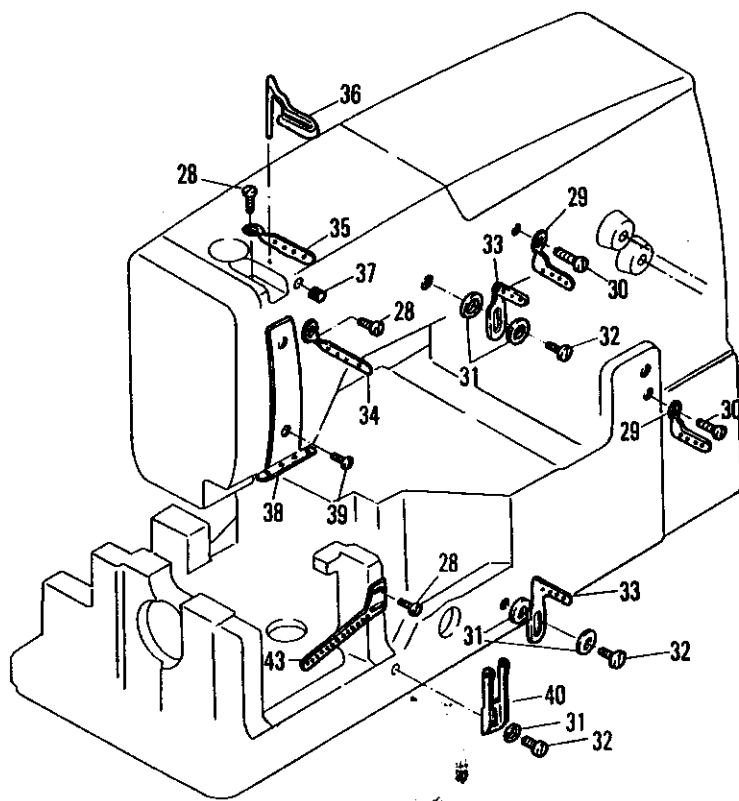
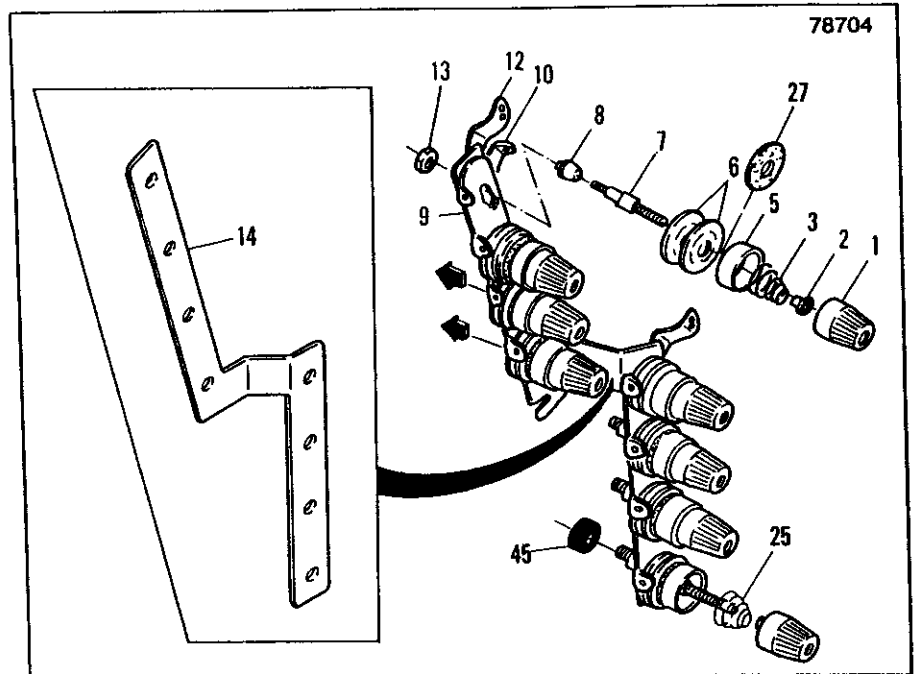
1. Housing components	1
2. Thread eyelet components (1).	3
3. Thread eyelet components (2).	5
4. Bushings	7
5. Oil lubrication apparatus.	8
6. Needle lever crank	9
7. Feed rocker.	11
8. Looper	13
9. Foot lifter mechanism.	14
10. Puller.	15
11. Gauge parts (78702P, 78704P)	17
12. Order gauge parts	19
13. Front puller mechanism	21
14. Thread stands	23
15. Tape stands, Tape guide	25
16. Accessories	26
17. Table stand installation diagram	27

1. Housing components



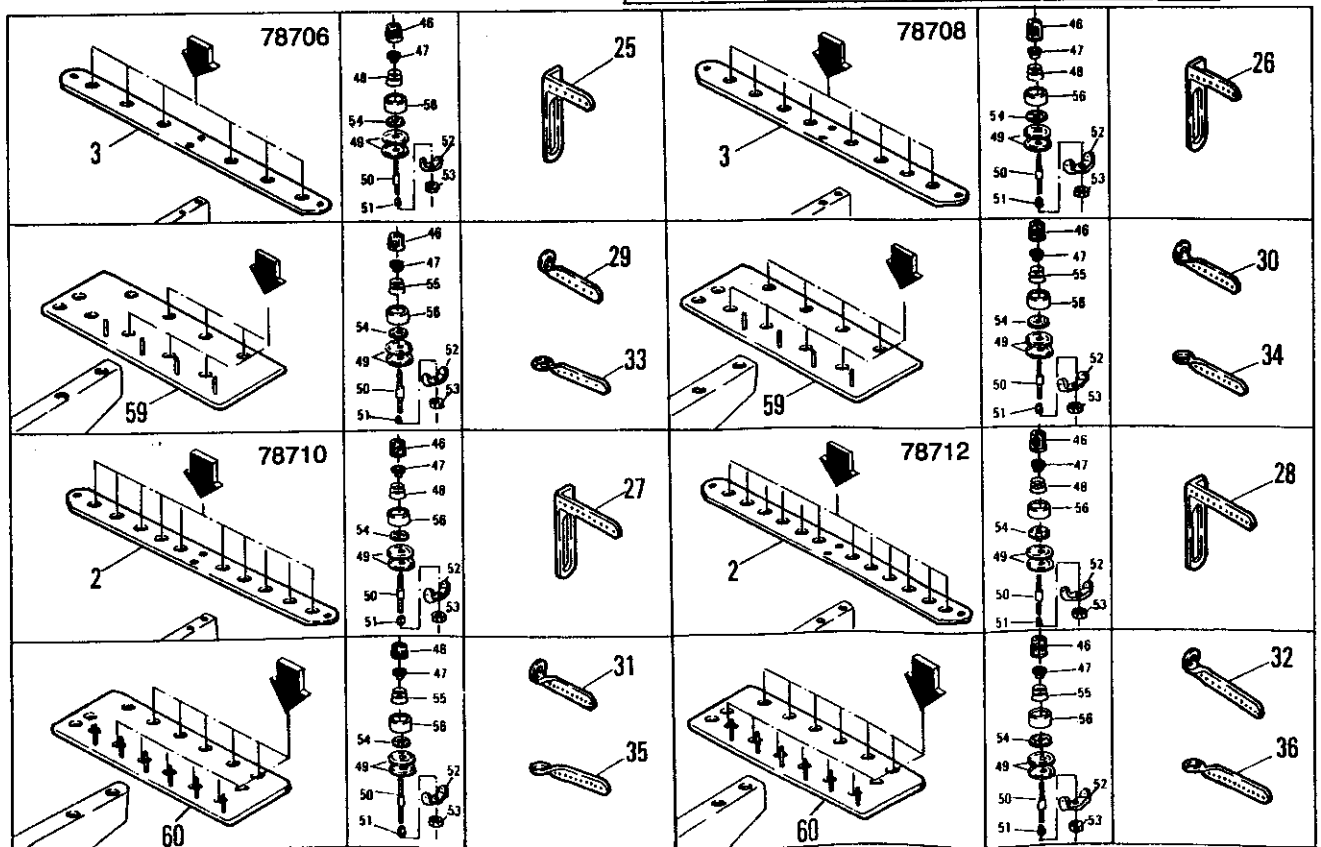
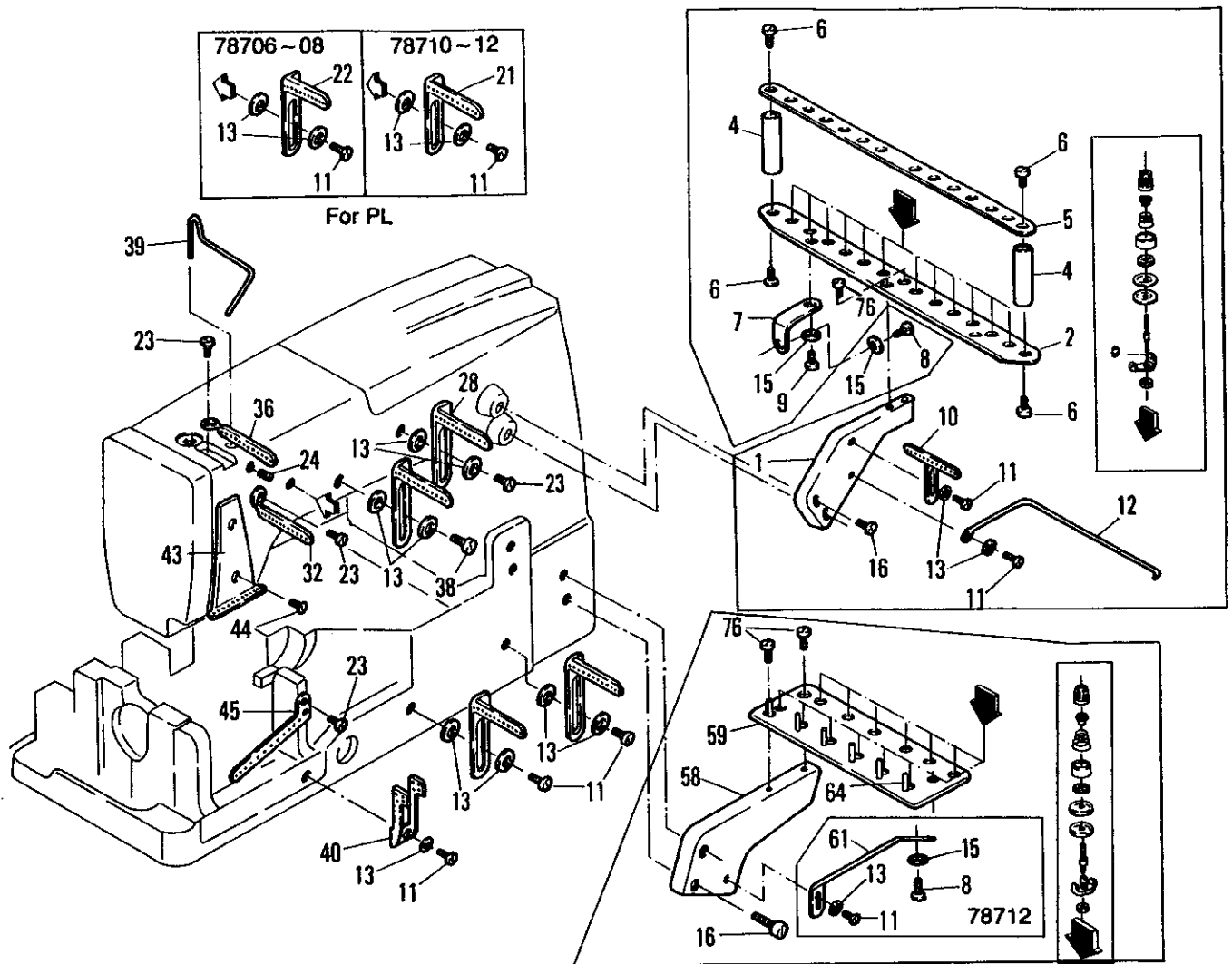
Ref. No.	Part No.	Part Name	Q'ty	Ref. No.	Part No.	Part Name	Q'ty
1	B80101-S	Arm bed (02 - 04 P.PL)	1	36	B60136	Oil reservoir top cover	1
	B80101-L	Arm bed (06 - 12 P.PL)	1	37	B60137	Upper oil cover gasket	1
2	B60102A	Oil reservoir	1	38	B60138	Screw	7
3	B60103	Oil reservoir washer	4	39	B60139	Front oil cover	1
4	B60104	Side plate cover	1	40	B60140	Front oil cover gasket	1
5	B60105	Washer	3	41	B60141	Screw	10
6	B60106	Screw	3	42	B60142	Oil seal plate gasket	1
7	B60107	Screw	2	43	B60143	Oil seal plate	1
8	B60108	Gasket	1	44	B60510	Screw	3
9	B60109	Screw	1	45	B60145	Needle plate support for knock pin	2
10	B60110	Screw	2	46	B60146	Needle lever eyelet safety plate	1
11	B60111	Oil reservoir washer	2	47	B60132	Screw	1
12	B60112	Seal gasket	4	48	B60148	Needle bar eyelet safety bar	1
13	B60113	Screw	4	49	B60149	Screw	1
14	B60114	Gasket	4	*50	B80150	Needle bar eyelet safety bar	1
15	B60115	Screw	4	51	B80151	Upper cloth plate	1
16	B60116	Oil gauge	1	52	B80152	Front plate cover	1
17	B60117	Oil reservoir	1	53	B60979	Spring washer	2
18	B60118	Oil reservoir	1	54	B80154	Screw	1
19	B80119	Oil filter	1	55	B60918	Nut	1
20				56	B80156	Spring supporter	1
21	B60121	Crank chamber oil cover	1	57	B80157	Screw	4
22	B60122	Crank chamber oil cover gasket	1	58	B80158	Plate spring	1
23	B60123	Screw	6	59	B80159	Screw	2
24				60	B60157	Screw	3
25				61	B60158	Screw	3
26	B60126	Head cover	1	62	B80162	Spring supporter	1
27	B60127	Head cover gasket	1	63	B80163	Folder mounting bracket	1
28				64	B60609	Screw	2
29	B60129	Head cover oil seal cap	1	65	B80165	Plate spring	1
30				66	B80166	Needle plate support (02 - 04 P.PL)	1
31	B60131	Tension disc cover	1	67	B80167	Needle plate support (06 - 12 P.PL)	1
32	B60132	Screw	2	68	B60160	Screw	3
33	B60133	Pulley cover	1	69	B60161	Needle plate support for knock pin	2
34				70	B60162	Screw	2
35				71	B80171	Upper cloth plate	1

2. (78702 ~ 70704) Thread eyelet components (1)



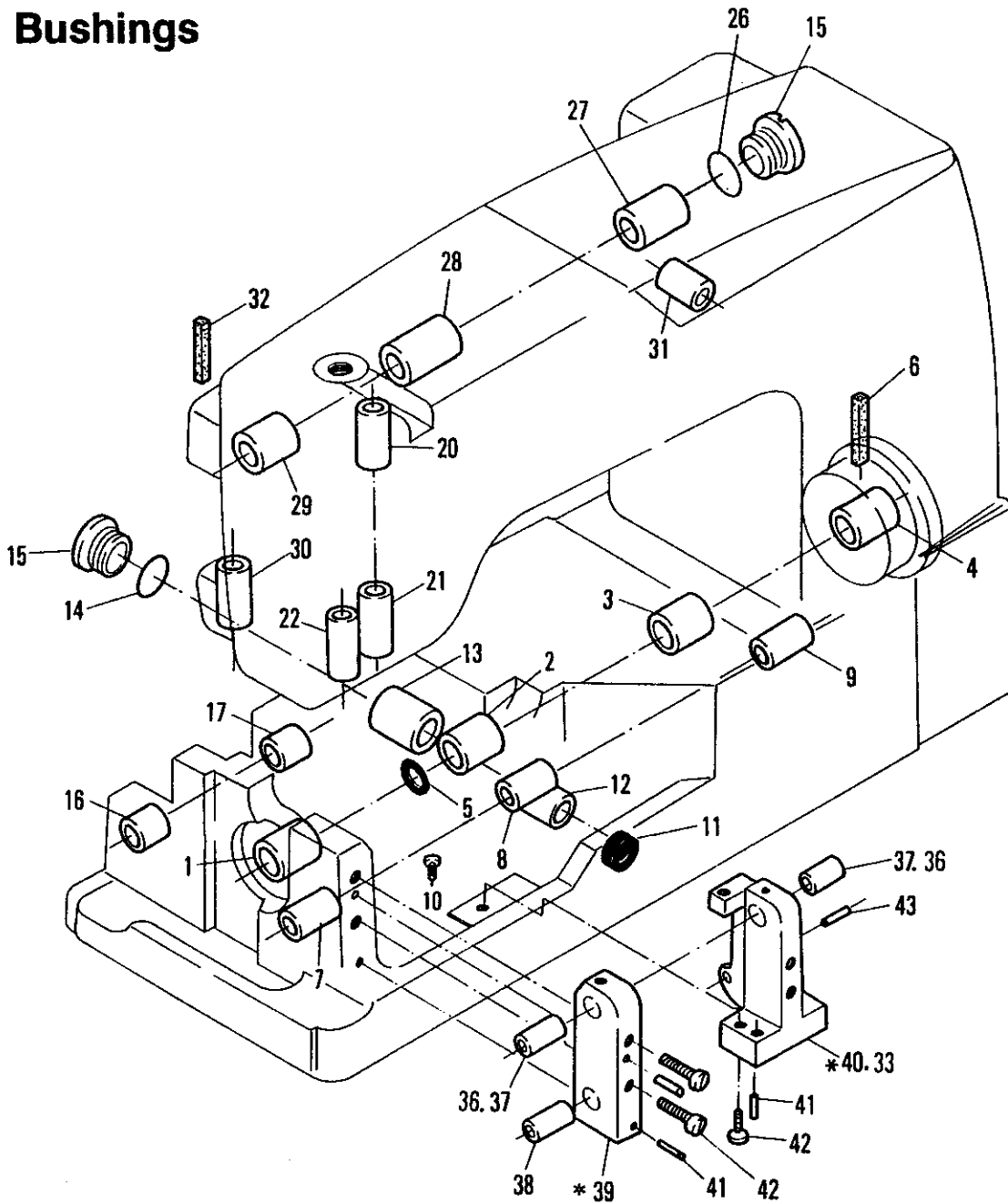
Ref. No.	Part No.	Part Name	Q'ty	Ref. No.	Part No.	Part Name	Q'ty
1	B60201	Tension regulating nut	4	23			
2	B60202	Tension disc ratchet	4	24			
3	B60204	Needle thread tension spring	2	25			
4	B80204	Looper thread tension spring	2	26			
5	B60205	Tension disc cover	4	*27	B60214	Felt	
6	B60206	Tension disc cover	8	28	B60132	Screw	2
7	B60207	Tension post	4	29	B80229	Looper thread eyelet 4	2
8	B60208	Tension post collar	4	30	B60231	Screw	2
9	B60209	Tension post support	1	31	B60105	Washer	4
10	B60210	Tension post thread eyelet	4	32	B60123	Screw	2
11	B60211	Tension post holder	1	33	B80233	Needle thread eyelet 4	2
12	B60212	Lead in thread eyelet	4	34	B80234	Needle lever thread eyelet 4	1
13	B60213	Nut	2	35	B80235	Needle bar thread eyelet 4	1
14	B80214	Tension post holder large	1	36	B80236	Needle thread take-up wire	1
15				37	B60225	Screw	1
16				38	B80238	Needle thread guide 4	1
17				39	B60229	Screw	2
18				40	B80240	Looper thread guide eyelet	1
19				41			
20				42			
21				43	B80243	Looper thread guide eyelet 13	1
22				44			
				45	B80245	Gasket	1

3. (78706 ~ 78712) Thread eyelet components (2)



Ref. No.	Part No.	Part Name	Q'ty	Ref. No.	Part No.	Part Name	Q'ty
1	B80301	Bracket large	1	53	B60213	Nut	12
2	B80302	Plate large	1	54	B60214	Felt	12
3	B80303	Plate large	2	55	B80204	Looper thread tension spring	6
4	B80304	Bracket bar	2	56	B60205	Tension disc cover	12
5	B80305	Guide plate	1	57			
6	B60966	Screw	2	58	B80358	Bracket small	1
7	B80307	Supporting bracket	1	59	B80359	Plate small	1
8	B60160	Screw	1	60	B80360	Plate small	1
9				61	B80361	Tension needle thread	1
10	B80310	Tension needle thread	1	62			
11	B60123	Screw	1	63			
12	B80312	Needle thread guide bar	1	64	B80364	Needle thread guide pin (L)	6
13	B60105	Washer	2	65			
14				66			
15	B60111	Washer	3	67			
16	B80316	Screw	4	68			
17				69			
18				70			
19				71			
20				72			
21	B80328	Needle thread eyelet 12	1	73			
22	B80326	Needle thread eyelet 8	1	74	B80204	Looper thread tension spring	8
23	B60132	Screw	4	75			
24	B60225	Screw	1	76	B60141	Screw	4
25	B80325	Thread eyelet 6	4	77			
26	B80326	Thread eyelet 8	4	78			
27	B80327	Thread eyelet 10	4	79			
28	B80328	Thread eyelet 12	4	80			
29	B80329	Needle lever thread eyelet 6	1	81			
30	B80330	Needle lever thread eyelet 8	1	82			
31	B80331	Needle lever thread eyelet 10	1	83			
32	B80332	Needle lever thread eyelet 12	1	84			
33	B80333	Needle bar thread eyelet 6	1	85			
34	B80334	Needle bar thread eyelet 8	1	86			
35	B80335	Needle bar thread eyelet 10	1	87			
36	B80336	Needle bar thread eyelet 12	1	88			
37				89			
38				90			
39	B80339	Needle thread take-up wire	1	91			
40	B80340	Looper thread guide eyelet	1	92			
41				93			
42				94			
43	B80343	Needle thread guide 13	1	95			
44	B60229	Screw	2	96			
45	B80243	Looper thread guide eyelet 13	1	97			
46	B60201	Tension regulating nut	12	98			
47	B60202	Tension disc ratchet	12	99			
48	B60203	Needle thread tension spring	6	100			
49	B60206	Tension disc	24	101			
50	B60207	Tension post	12	102			
51	B60208	Collar	12				
52	B60210	Needle thread eyelet	12				

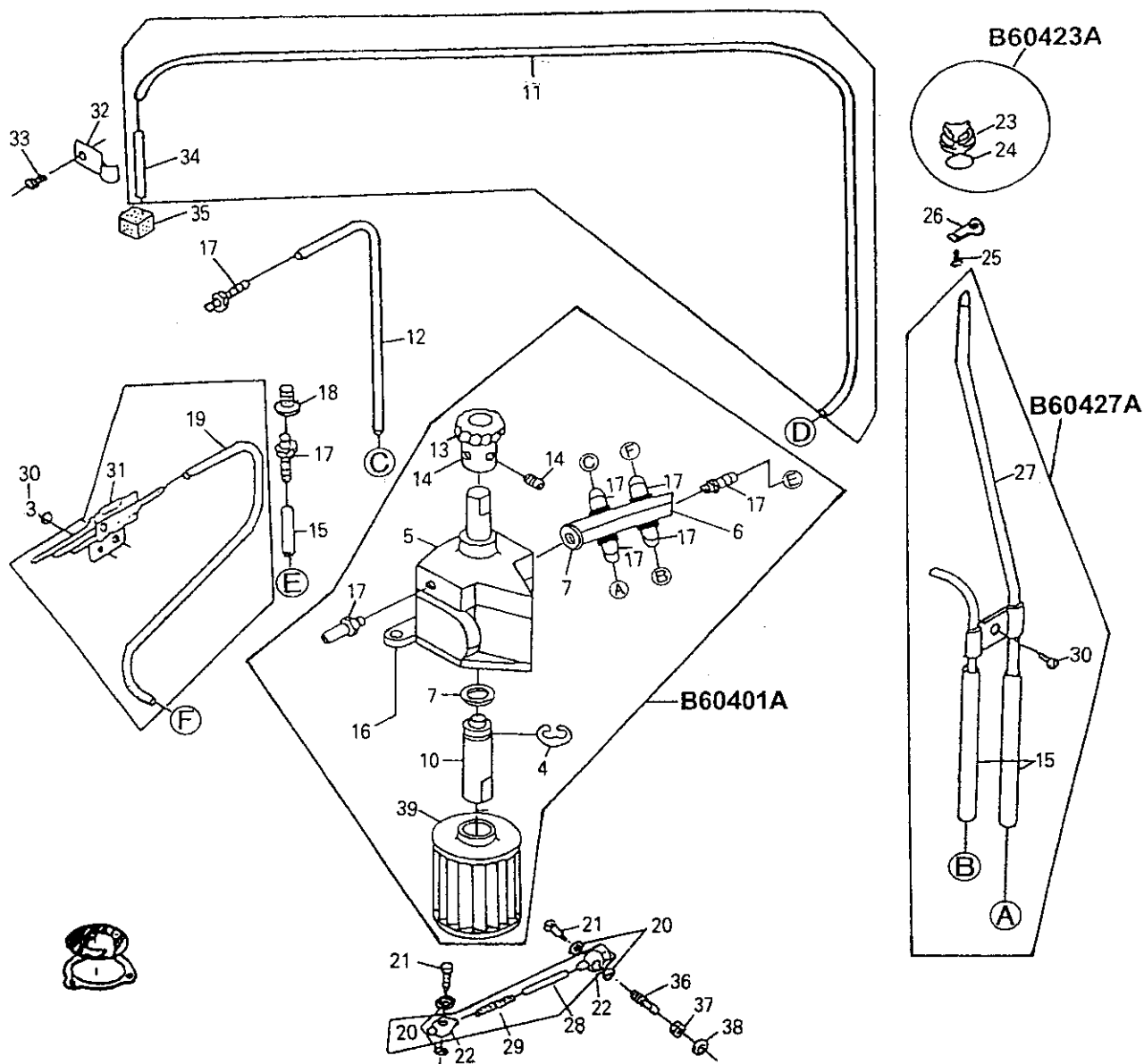
4. Bushings



Ref. No.	Part No.	Part Name	Q'ty	Ref. No.	Part No.	Part Name	Q'ty
1	B60301	Main shaft bushing	1	23			
2	B60302	Main shaft bushing	1	24			
3	B60303	Main shaft bushing	1	25			
4	B60304	Flange bushing	1	26	B60326	Gasket	1
5	W80535	O-ring	1	27	B60327	Puller drive lever bushing	1
6	B60436	Felt	1	28	B60328	Puller drive lever bushing	1
7	B60307	Looper rocker shaft bushing	1	29	B60329	Puller drive lever bushing	1
8	B60308	Looper rocker shaft bushing	1	30	B60330	Puller shaft bushing	1
9	B80409	Looper rocker shaft bushing	1	31	B60331	Presser foot lifter lever bushing	1
10	B80410	Screw	1	32	B60435	Felt	1
11	B60311	Oil plug	1	33	B80433	Thread guide (right) (6P~12P)	1
12	B60312	Looper drive lever shaft bushing	1	34			
13	B60313	Looper drive lever shaft bushing	1	35			
14	B60314	Gasket	1	36	B80436	Bushing (6P~12P)	2
15	B60315	Smooth	2	* 37	B80437	Bushing (4P)	2
16	B60316	Feed rocker shaft bushing	1	38	B80438	Bushing	1
17	B60317	Feed rocker shaft bushing	1	* 39	B80439	Thread guide (left)	1
18				* 40	B80440	Thread guide (right) (4P)	1
19				41	B80441	Pin	4
20	B60320	Needle bar bushing (upper)	1	42	B80442	Screw	4
21	B60321	Needle bar bushing (lower)	1	43	B80443	Pin	1
22	B60322	Presser bar bushing	1				

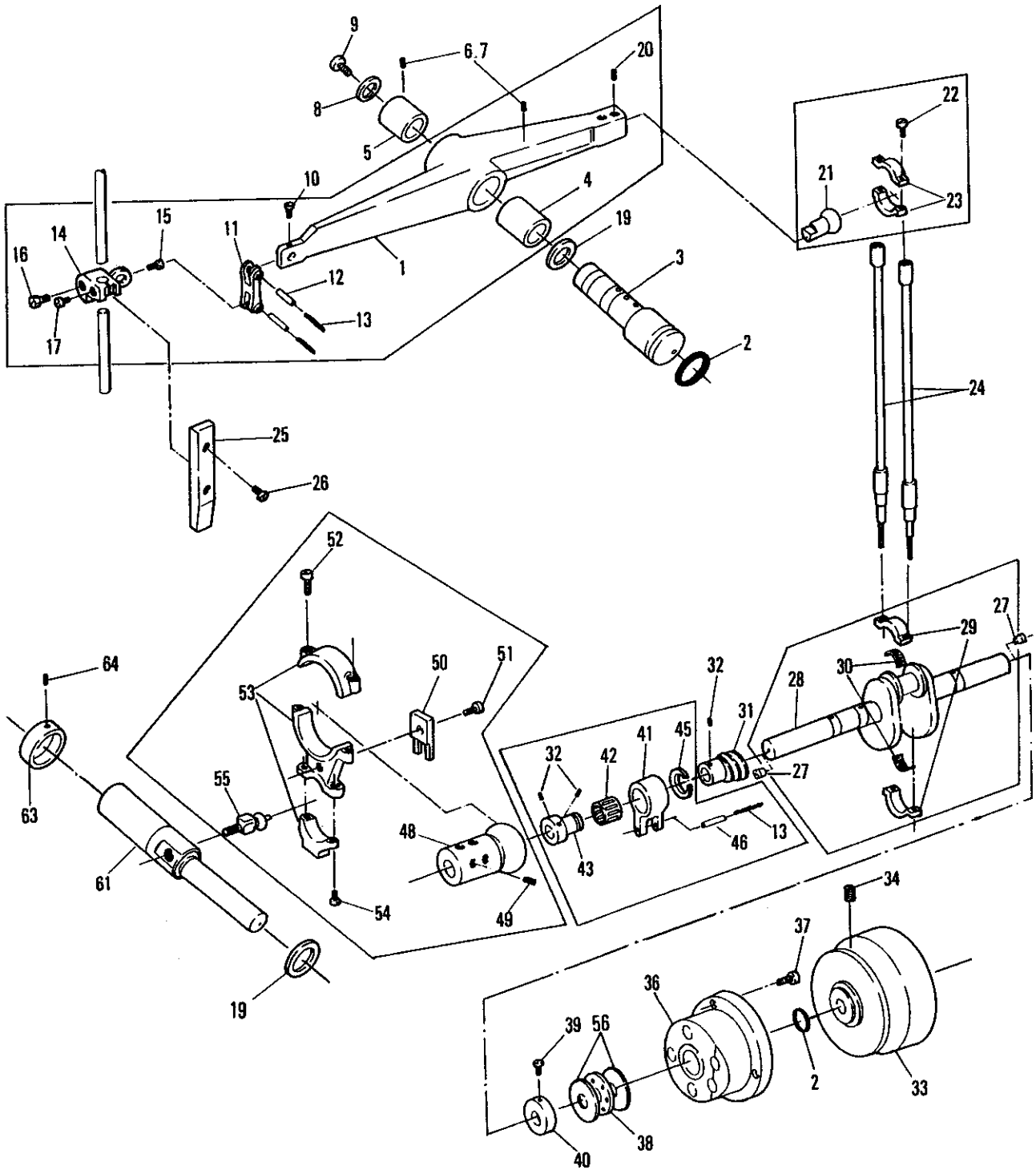
NOTE: Parts marked with * are supplied with arm bed as an assembly, and cannot be individually ordered.

5. New oil lubrication apparatus



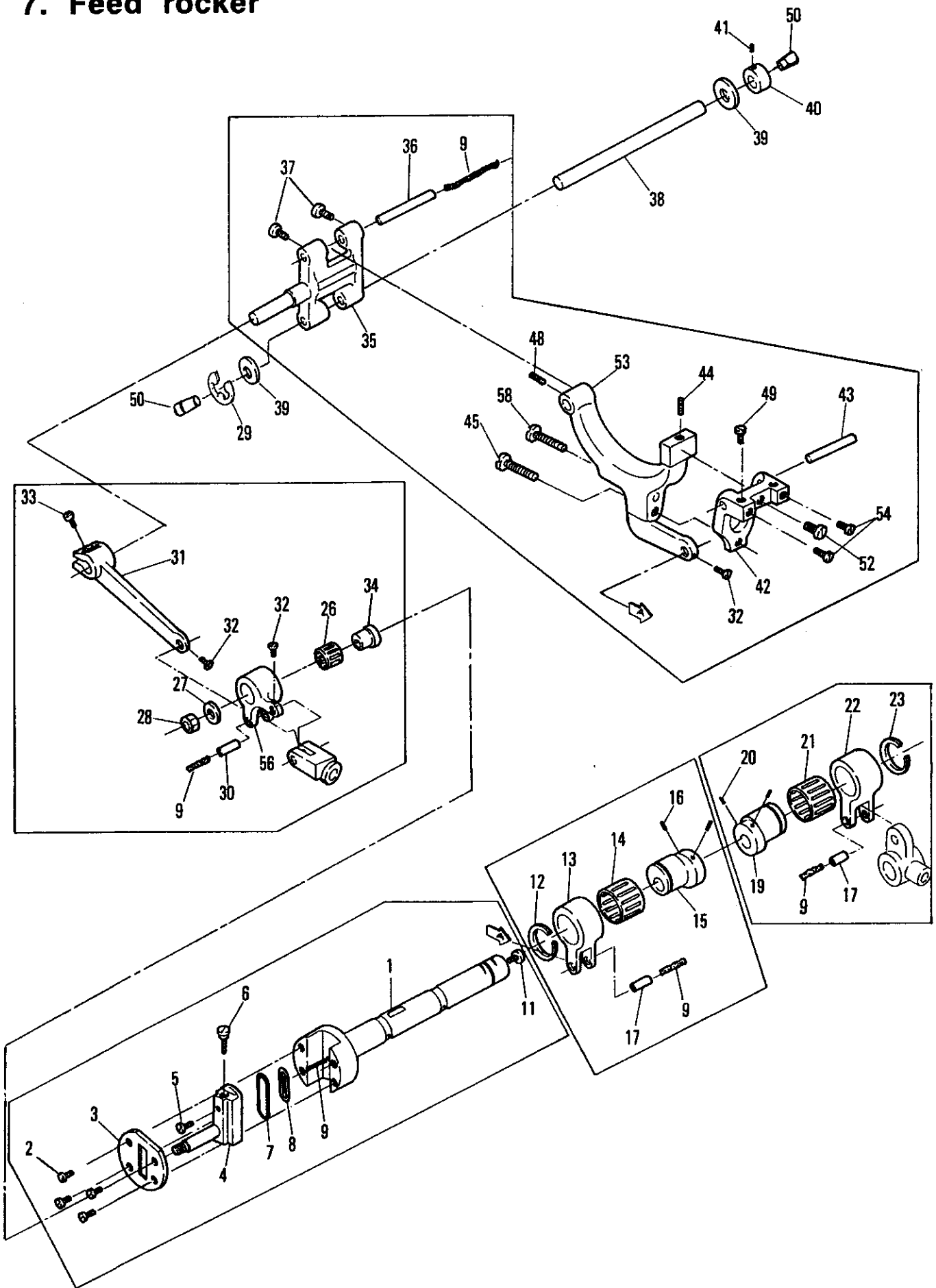
Ref. No.	Part No.	Part Name	Q'ty	Ref. No.	Part No.	Part Name	Q'ty
	B60401A	Oil pump body.....	1	22	B60422	Tube coupling.....	2
4		E-ring (6693-2230).....	1	23	B60423	Oil pot lid.....	1
5		Pump set (6630-0150).....	1	24	B60424	O-ring.....	1
6		Oil separator (6631-2490).....	1	25	B60239	Screw.....	1
7		Washer (6675-4700).....	2	26	B60426	Pipe support.....	1
				27	B60427	Pipe.....	1
10		Filter tube (6635-1070).....	1	28	B60428	Vinyl pipe.....	1
11	B60411	Vinyl pipe.....	1	29	B60446	Felt.....	1
12	B60412	Vinyl pipe.....	1	30	B60231	Screw.....	3
13	B60413	Gear (6631-4090).....	1	31	B60431	Pipe.....	1
14	B60419	Screw (6684-5210).....	2	32	B60432	Support.....	1
15	B60415	Vinyl pipe.....	1	33	B60433	Screw.....	1
16	B60123	Screw.....	3	34	B60434	Pipe.....	1
17	B60409	Pipe joint.....	8	35	B60435	Felt.....	1
18	B60418	Fixing screw.....	1	36	B60436	Oil flow screw.....	1
19	B60419	Vinyl pipe.....	1	37	B60437	Nut.....	1
20	B60420	Packing.....	4	38	B60438	Packing.....	1
21	B60421	Oil guide screw.....	2	39	W901754	Oil filter.....	1

6. Needle lever crank



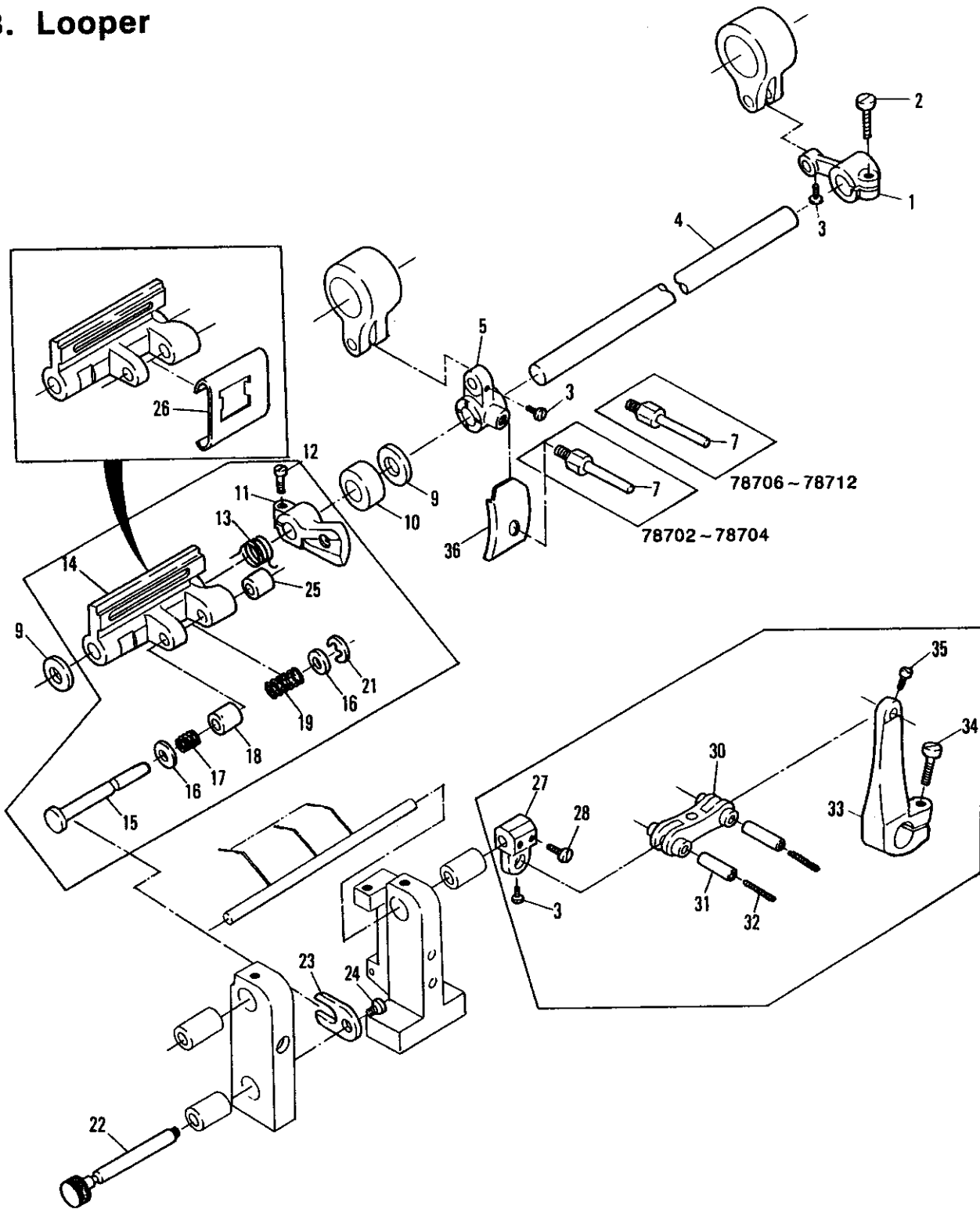
Ref. No.	Part No.	Part Name	Q'ty	Ref. No.	Part No.	Part Name	Q'ty
1	B60501	Needle lever	1	33	B60533	Pulley	1
2	B60305	O-ring	1	34	B60534	Screw	2
3	B60503	Needle lever stud	1	35			
4	B60504	Needle lever bushing	1	36	B60536	Flange	1
5	B60505	Needle lever stud bushing	1	37	B60123	Screw	3
6	B60506	Screw	2	38	B60538	Bearing	1
7	B60507	Screw	2	39	B60539	Screw	2
8	B60420	Gasket	1	40	B60540	Crankshaft collar	1
9	B60509	Screw	1	41	B80722	Eccentric link	1
10	B60632	Screw	1	42	B80721	Bearing	1
11	B60511	Needle bar connecting link	1	43	B80719	Looper avoid eccentric	1
12	B60512	Needle bar connection link pin	2	44			
13	B60446	Felt	2	45	B80723	Snap ring	1
14	B60514	Needle bar connection	1	46	B60617	Eccentric link pin	1
15	B60515	Screw	1	47			
16	B60516	Screw	1	48	B80648	Eccentric retainer holder	1
17	B60231	Screw	1	49	B60549	Screw	6
18				50	B60550	Eccentric guide fork	1
19	B60519	Washer	1	51	B60551	Screw	1
20	B60520	Screw	2	52	B60552	Screw	2
21	B60521	Needle lever connecting rod	1	53	B60553	Looper driving lever ball joint	1
22	B60522	Screw	2	54	B60554	Screw	2
23	B60523	Ball joint for connecting rod	1	55	B60555	Looper driving connecting rod	1
24	B60524	Connecting bar	2	56	B60541	Washer	1
25	B60525	Needle bar guide plate	1	57			
26	B60107	Screw	2	58			
27	B60527	Pin	2	59			
28	B60528	Crank shaft	1	60			
29	B60529	Ball-joint for crankshaft	1	61	B60561	Looper driving shaft	1
30	B60530	Needle roller for crankshaft	28	62			
31	B60531	Worm gear	1	63	B60563	Collar	1
32	B60532	Screw	2	64	B60564	Screw	2

7. Feed rocker



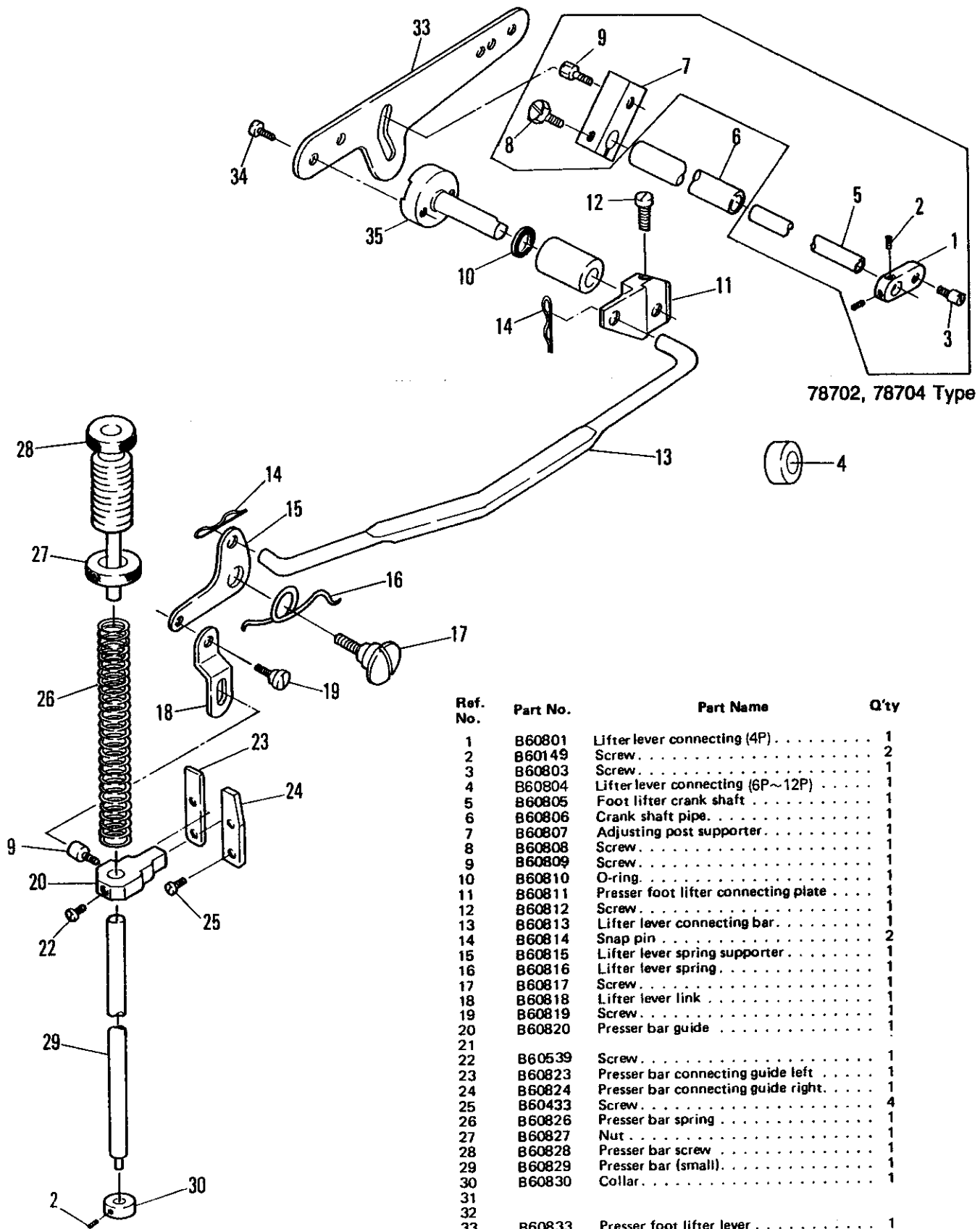
Ref. No.	Part No.	Part Name	Q'ty	Ref. No.	Part No.	Part Name	Q'ty
1	B80701	Main shaft	1	30	B60512	Feed rocker link pin	1
2	B60138	Screw	4	31	B60631	Feed rocker arm	1
3	B60603	Head plate	1	32	B60632	Screw	1
4	B60604	Feed crank adjusting post	1	33	B60633	Screw	2
5	B60605	Screw	1	34	B60634	Feed crank link collar	1
6	B60606	Screw	1	35	B60635	Single feed rocker	1
7	B60607	O-ring	1	36	B60636	Feed dog holder shaft	1
8	B60608	Oil guide	1	37	B60106	Screw	2
9	B60446	Felt	1	38	B60638	Feed rocker shaft small.	1
10				39	B60639	Washer	2
11	B60611	Screw	1	40	B60640	Collar	2
12	B60612	Snap ring	1	41	B60160	Screw	2
13	B60613	Feed eccentric link	1	42	B80742	Feed dog holder	1
14	B60614	Bearing	1	43	B80743	Feed dog holder shaft	1
15	B60615	Feed eccentric 0.8	1	44	B80744	Screw	1
16	B60564	Screw	2	45	B80745	Screw	1
17	B60617	Connecting link pin.	1	46			
18				47			
19	B80719	Retainer eccentric.	1	48	B60532	Screw	1
20	B60564	Screw	2	49	B80749	Screw	2
21	B80721	Bearing	1	50	B60650	Pin	1
22	B80722	Retainer eccentric link	1	51			
23	B80723	Snap ring	1	52	B80752	Screw	1
24				53	B80753	Feed rocker	1
25				54	B80754	Screw	2
26	B60626	Bearing	1	55			
27	B60627	Washer	1	56	B60656	Feed rocker link.	1
28	B60628	Nut	1	57			
29	B60619	C-Rng	1	58	B80758	Screw	1

8. Looper



Ref. No.	Part No.	Part Name	Q'ty	Ref. No.	Part No.	Part Name	Q'ty
1	B80801	Looper avoid lever	1	19	B80819	Spring for stopper	1
2	B62027	Screw	1	20	B80821	Snap ring	1
3	B60632	Screw	1	21	B80822	Looper throw-out actuating shaft	1
4	B80804	Looper rocker shaft	1	22	B80823	Looper throw-out actuating plate	1
5	B80805	Retainer lever	1	23	B80824	Screw	1
6	B80807	Retainer bar small	1	24	B80825	Bushing	1
7	B80807	Retainer bar small	1	25	B80826	Cover	1
8	B60639	Washer	2	26	B80827	Retainer bar holder	1
9	B80810	Collar	1	27	B80827	Retainer bar holder	1
10	B80810	Collar	1	28	B60539	Screw	2
11	B80811	Looper rocker stopper	1	29	B80830	Retainer connecting link	1
12	B60633	Screw	1	30	B80831	Retainer link pin	2
13	B80813	Looper holder spring	1	31	B80831	Retainer link pin	2
14	B80814	Looper rocker	1	32	B60446	Felt	2
15	B80815	Looper rocker set shaft	1	33	B80833	Retainer lever	1
16	B80815	Looper rocker set shaft	1	34	B60719	Screw	1
17	B80817	Tapered pin set washer	1	35	B60719	Screw	1
18	B80818	Bushing	1	36	B80836	Oil guide	1

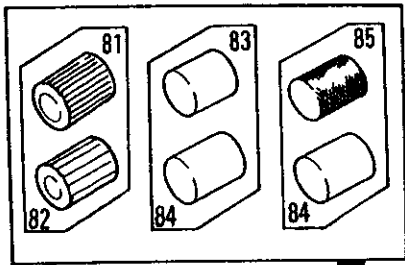
9. Foot lifter components



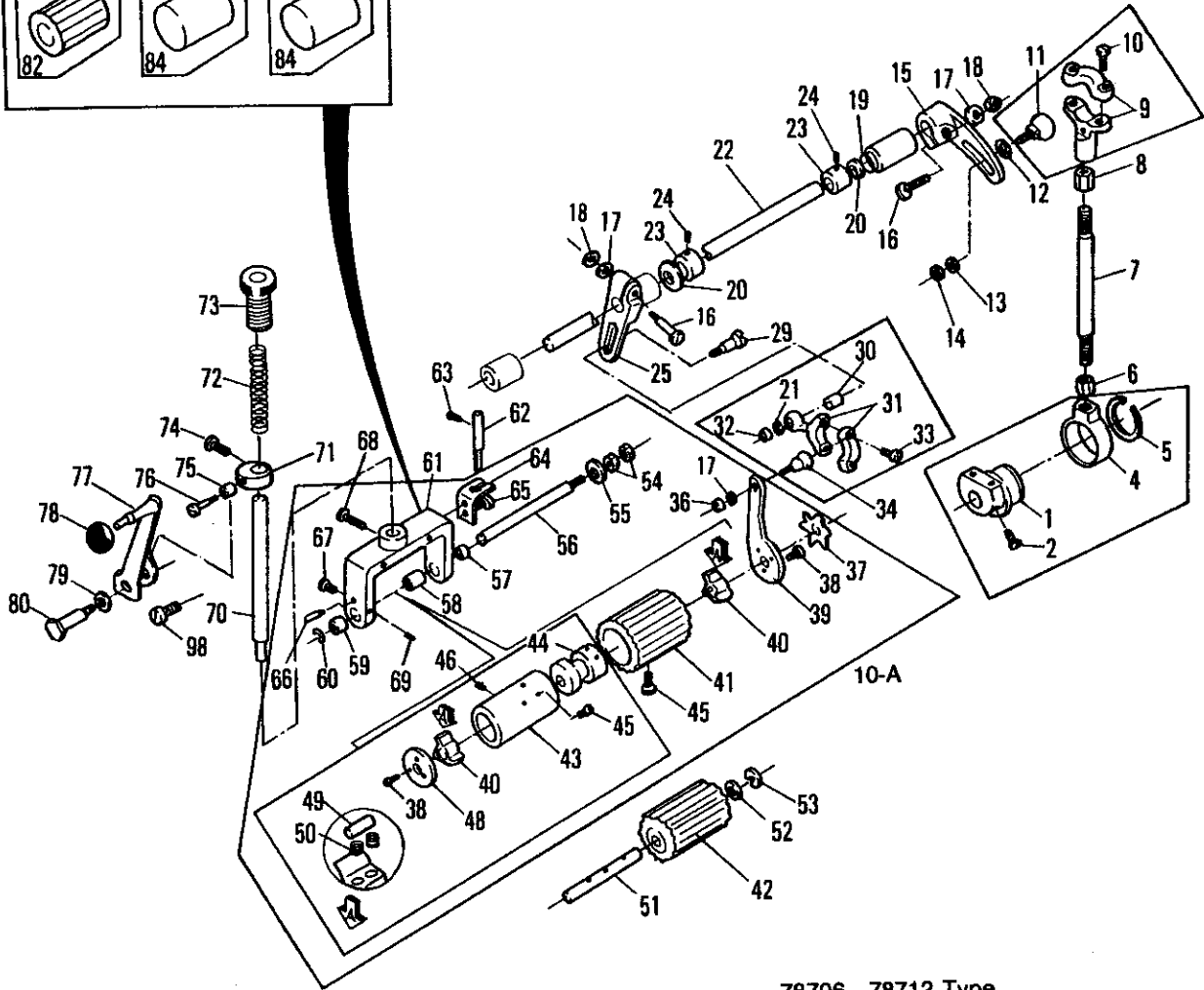
78702, 78704 Type

Ref. No.	Part No.	Part Name	Q'ty
1	B60801	Lifter lever connecting (4P)	1
2	B60149	Screw	2
3	B60803	Screw	1
4	B60804	Lifter lever connecting (6P~12P)	1
5	B60805	Foot lifter crank shaft	1
6	B60806	Crank shaft pipe	1
7	B60807	Adjusting post supporter	1
8	B60808	Screw	1
9	B60809	Screw	1
10	B60810	O-ring	1
11	B60811	Presser foot lifter connecting plate	1
12	B60812	Screw	1
13	B60813	Lifter lever connecting bar	1
14	B60814	Snap pin	2
15	B60815	Lifter lever spring supporter	1
16	B60816	Lifter lever spring	1
17	B60817	Screw	1
18	B60818	Lifter lever link	1
19	B60819	Screw	1
20	B60820	Presser bar guide	1
21			
22	B60539	Screw	1
23	B60823	Presser bar connecting guide left	1
24	B60824	Presser bar connecting guide right	1
25	B60433	Screw	4
26	B60826	Presser bar spring	1
27	B60827	Nut	1
28	B60828	Presser bar screw	1
29	B60829	Presser bar (small)	1
30	B60830	Collar	1
31			
32			
33	B60833	Presser foot lifter lever	1
34	B60123	Screw	2
35	B60835	Presser foot lifter lever post	1

10. Puller

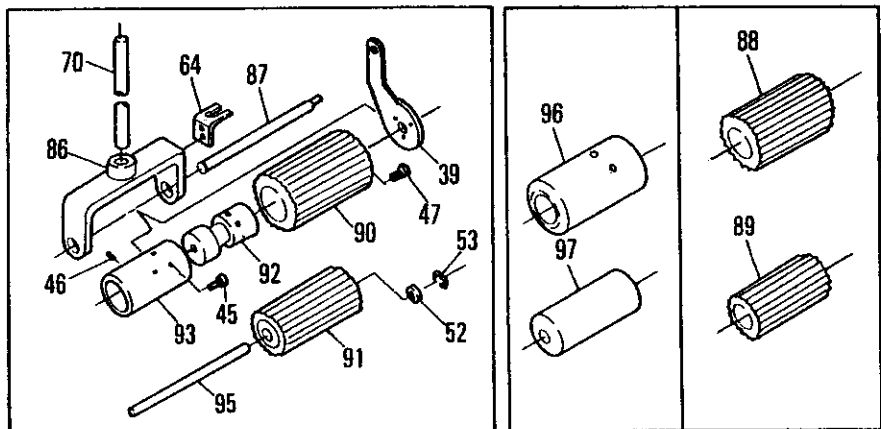


Note: Assembly Reference No. 10-A in the illustration has different assembly numbers depending on the gear teeth.
 Gears are combined as follows.
 Ref. No. 41 gear with Ref. No. 42 gear
 Ref. No. 81 gear with Ref. No. 82 gear
 Ref. No. 83 smooth roller and Ref. No. 85 rouletted roller with Ref. No. 84 smooth roller



78706~78712 Type

Note: Assembly Reference No. 10-B in the illustration has different assembly numbers depending on Ref. No. 90 gear and Ref. No. 96 smooth roller & Ref. No. 88 gear. Components shown in 10-B are interchangeable with those shown in 10-A.

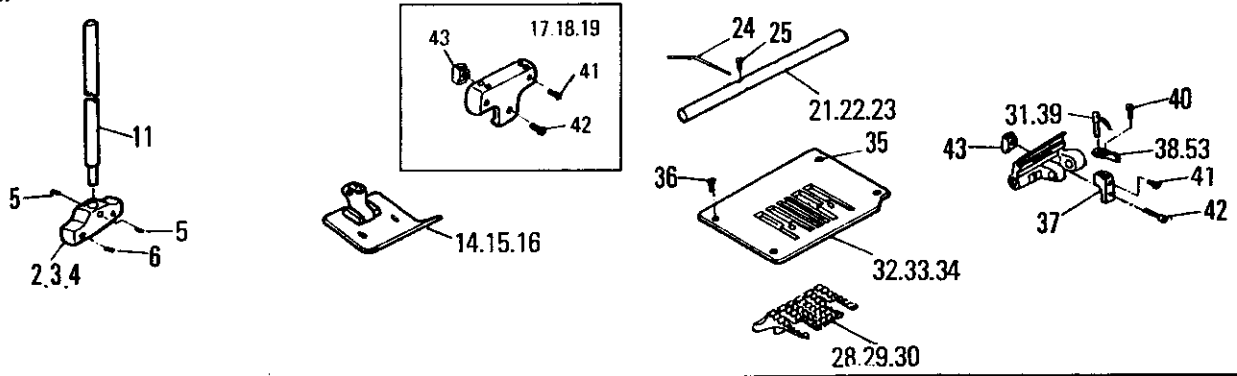


10-B

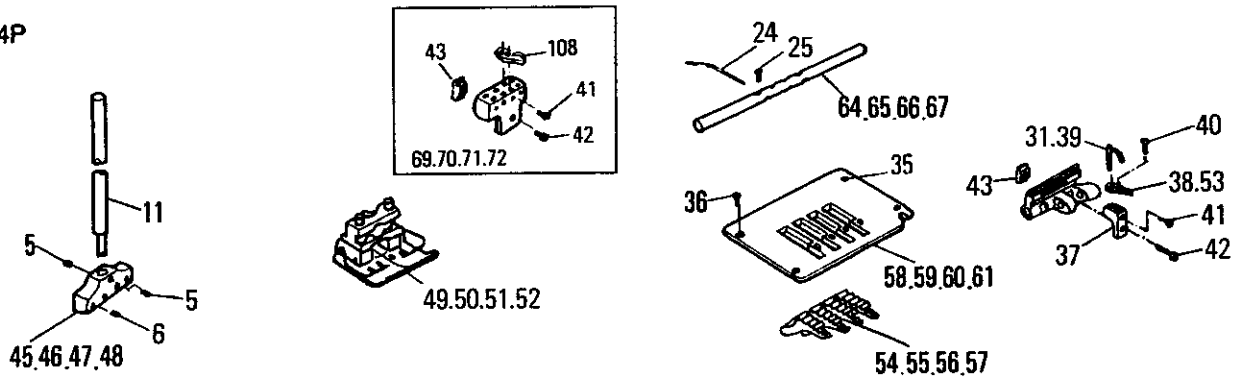
Ref. No.	Part No.	Part Name	Q'ty	Ref. No.	Part No.	Part Name	Q'ty
1	B60901	Puller driving eccentric	1	50	B60950	Check clutch spring	12
2	B60902	Screw	2	51	B60951	Rear puller shaft	1
3				52	B60639	Washer	1
4	B60904	Connecting link	1	53	B60953	Spring washer	1
5	B60905	25φ snap ring	1	54	B60954	Nut	2
6	B60906	Nut	1	55	B60955	Washer	1
7	B60907	Puller driving connection.	1	56	B60983	Rear puller shaft	1
8	B60908	Nut Left	1	57	B60957	Puller holder shaft bushing S	1
9	B60909	Puller driving connection rod	1	58	B60958	Puller holder shaft bushing M	1
10	B60910	Screw	2	59	B60959	Puller holder shaft bushing L	1
11	B60911	Connecting ball joint	1	60	B60960	φ8 snap ring	1
12	B60912	Washer	1	61	B60981	Rear puller holder.	1
13	B60913	Washer	1	62	B60962	Puller liner.	1
14	B60644	Nut	1	63	B60225	Screw	1
15	B60915	Puller driving lever, rear	1	64	B60964	Rear puller stopper	1
16	B60916	Screw	1	65	B60965	Screw	2
17	B60645	Washer	1	66	B60966	Screw	1
18	B60918	Nut	1	67	B60551	Screw	1
19	B60305	O-ring.	1	68	B60968	Screw	1
20	B60519	Washer	2	69	B60969	Screw	1
21	B60217	Washer	1	70	B60970	Feed roller shaft.	1
22	B60922	Puller driving shaft	1	71	B60971	Feed roller shaft holder	1
23	B60923	Crank shaft collar	2	72	B60972	Puller spring	1
24	B60532	Screw	4	73	B60973	Puller screw	1
25	B60925	Puller driving lever, front.	1	74	B60974	Screw	1
26				75	B60975	Lifter lever roller	1
27				76	B60976	Screw	1
28				**77	B60977	Lifter lever	1
29	B60929	Screw	1	78	B60978	Lifter lever knob	1
30	B60930	Connecting link roller	1	79	B60979	Lifter spring	1
31	B60931	Puller connecting rod.	1	80	B60980	Screw	1
32	B60932	Nut	1	81	B81081	Rear puller gear, 28 teeth (Nylon)	1
33	B60554	Screw	2	82	B81082	Rear puller gear, 23 teeth (Nylon)	1
34	B60934	Connecting ball joint	1	83	B60993	Rear puller (Smooth)	1
35				84	B60992	Rear puller (Smooth)	1
36	B60213	Nut	1	85	B81085	Rear puller, rouletted roller (Steel) (S)	1
37	B60937	Puller plate spring.	1	86	B81086	Rear puller holder.	1
38	B60162	Screw	6	87	B81087	Rear puller shaft	1
39	B60984	Rear puller connecting plate.	1	88	B81088	Rear puller gear, 28 teeth (Nylon)	1
40	B60940	Clutch	2	89	B81089	Rear puller gear, 23 teeth (Nylon)	1
41	B81041	Rear puller gear, 22 teeth (Nylon)	1	90	B81090	Rear puller gear, 22 teeth (Nylon)	1
42	B81042	Rear puller gear, 18 teeth (Nylon)	1	91	B81091	Rear puller gear, 18 teeth (Nylon)	1
43	B60988	Rear puller pipe	1	92	B81092	Rear puller thrust collar	1
44	B60987	Rear puller thrust collar	1	93	B81093	Rear puller pipe	1
45	B60229	Screw	3	94	B60970	Feed roller shaft.	1
46	B60946	Screw	1	95	B81095	Rear puller shaft	1
47				96	B81096	Rear puller (Smooth)	1
48	B60948	Rear puller pipe cover	1	97	B81097	Rear puller (Smooth)	1
49	B60949	Check clutch roller	6	98	B60998	Screw	1
				99	B81099	Rear puller, rouletted roller (Steel) (L)	1

11. Gauge parts (78702P, 78704P)

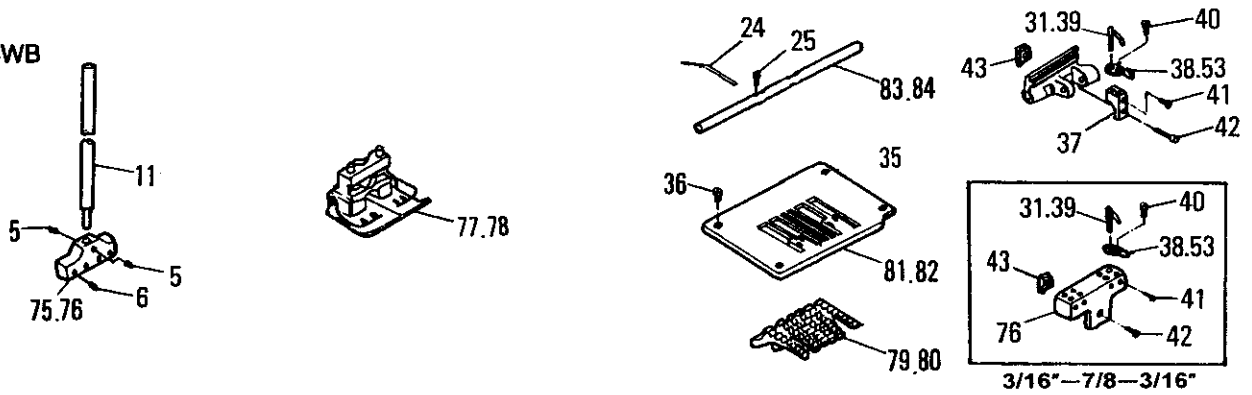
78702P



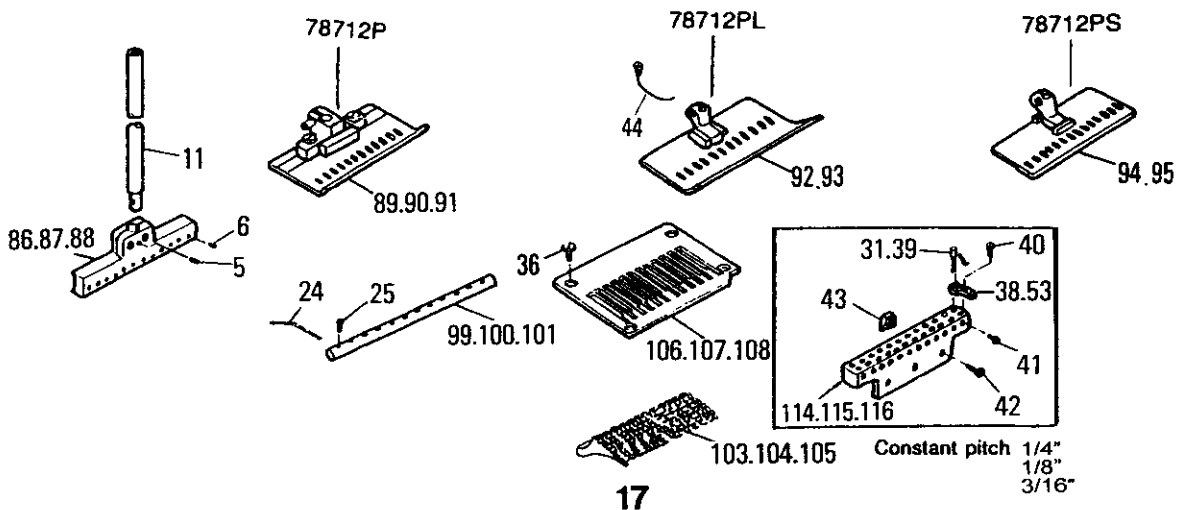
78704P



78704WB



78712P-PL-PS

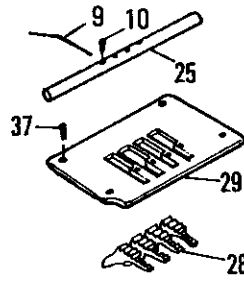
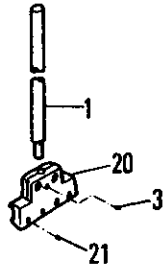


Ref. No.	Part No.	Part Name	Q'ty	Ref. No.	Part No.	Part Name	Q'ty
1				60	B04NP(1"-1/4")	Need Plate(1"-1/4").....	
2	B02NH(1"-1/8")	Needle holder(1"-1/8").....		61	B04NP(1"-1/2")	Need Plate(1"-1/2").....	
3	B02NH(1/4")	Needle holder(1/4").....		62			
4	B02NH(5/32")	Needle holder(5/32").....		63			
5	B62208	Screw.....		64	B04RH(1")	Retainer Holder(1").....	
6	B61022	Screw.....		65	B04RH(1"-1/8")	Retainer Holder(1"-1/8").....	
7				66	B04RH(1"-1/4")	Retainer Holder(1"-1/4").....	
8				67	B04RH(1"-1/2")	Retainer Holder(1"-1/2").....	
9				68			
10				69	B04LH(1")	Looper Holder(1").....	
11	B81111	Needle Bar.....		70	B04LH(1"-1/8")	Looper Holder(1"-1/8").....	
12				71	B04LH(1"-1/4")	Looper Holder(1"-1/4").....	
13				72	B04LH(1"-1/2")	Looper Holder(1"-1/2").....	
14	B02PF(1"-1/8")	Presser Foot(1"-1/8").....		73	B04LH-WB	Looper Holder(1/4"x1"x1/4").....	
15	B02PF(1/4")	Presser Foot(1/4").....		74	B04LH-MP	Looper Holder(3/16"x7/8"x3/16").....	
16	B02PF(5/32")	Presser Foot(5/32").....		75	B04NH-WB	Needle holder(1/4"x1"x1/4").....	
17	B02LH(1"-1/8")	Looper Holder(1"-1/8").....		76	B04NH-MP	Needle holder(3/16"x7/8"x3/16").....	
18	B02LH(1/4")	Looper Holder(1/4").....		77	B04PF-WB	Presser Foot(1/4"x1"x1/4").....	
19	B02LH(5/32")	Looper Holder(5/32").....		78	B04PF-MP	Presser Foot(3/16"x7/8"x3/16").....	
20				79	B04FD-WB	Feed Dog(1/4"x1"x1/4").....	
21	B02RH(1"-1/8")	Retainer Holder(1"-1/8").....		80	B04FD-MP	Feed Dog(3/16"x7/8"x3/16").....	
22	B02RH(1/4")	Retainer Holder(1/4").....		81	B04NP-WB	Need Plate(1/4"x1"x1/4").....	
23	B02RH(5/32")	Retainer Holder(5/32").....		82	B04NP-MP	Need Plate(3/16"x7/8"x3/16").....	
24	B81124	Retainer Looper.....		83	B04RH-WB	Retainer Holder(1/4"x1"x1/4").....	
25	B60241	Screw.....		84	B04RH-MP	Retainer Holder(3/16"x7/8"x3/16").....	
26				85			
27				86	B12NH(1/8")	Needle holder(1/8").....	
28	B02FD(1"-1/8")	Feed Dog(1"-1/8").....		87	B12NH(1/4")	Needle holder(1/4").....	
29	B02FD(1/4")	Feed Dog(1/4").....		88	B12NH(3/16")	Needle holder(3/16").....	
30	B02FD(5/32")	Feed Dog(5/32").....		89	B12PF(1/8")	Presser Foot(3/16").....	
31	19-431(S)	Looper(1/8").....		90	B12PF(1/4")	Presser Foot(3/16").....	
32	B02NP(1"-1/8")	Need Plate(1"-1/8").....		91	B12PF(3/16")	Presser Foot(3/16").....	
33	B02NP(1/4")	Need Plate(1/4").....		92			
34	B02NP(5/32")	Need Plate(5/32").....		93			
35	B81135	Screw(特殊用).....		94	B12PF-PS(1/4")	Presser Foot ps(1/4").....	
36	B60229	Screw.....		95	B12PF-PS(3/16")	Presser Foot ps(3/16").....	
37	B01LH	Looper Holder.....		96	B81196	Screw.....	
38	B81138	Need Guard.....		97			
39	19-431(L)	Looper(1/8"以上用).....		98			
40	B81140	Screw.....		99	B12RH(1/8")	Retainer Holder(1/8").....	
41	B81141	Screw.....		100	B12RH(1/4")	Retainer Holder(1/4").....	
42	B81142	Screw.....		101	B12RH(3/16")	Retainer Holder(3/16").....	
43	B81143	Screw.....		102			
44	B81144	Spring(歌規).....		103	B12FD(1/8")	Feed Dog(1"/8").....	
45	B04NH(1")	Needle holder(1").....		104	B12FD(1/4")	Feed Dog(1"/4").....	
46	B04NH(1"-1/8")	Needle holder(1"-1/8").....		105	B12FD(3/16")	Feed Dog(3/16").....	
47	B04NH(1"-1/4")	Needle holder(1"-1/4").....		106	B12NP(1/8")	Need Plate(1/8").....	
48	B04NH(1"-1/2")	Needle holder(1"-1/2").....		107	B12NP(1/4")	Need Plate(1/4").....	
49	B04PF-H(1"-1/2")	Presser Foot(1"-1/2").....		108	B12NP(3/16")	Need Plate(3/16").....	
50	B04PF-H(1")	Presser Foot(1").....		109			
51	B04PF-H(1"-1/8")	Presser Foot(1"-1/8").....		110			
52	B04PF-H(1"-1/4")	Presser Foot(1"-1/4").....		111			
53	B81153	Need Guard(3/16").....		112			
54	B04FD(1")	Feed Dog(1").....		113			
55	B04FD(1"-1/8")	Feed Dog(1"-1/8").....		114	B12LH(1/8")	Looper Holder(1/8").....	
56	B04FD(1"-1/4")	Feed Dog(1"-1/4").....		115	B12LH(1/4")	Looper Holder(1/4").....	
57	B04FD(1"-1/2")	Feed Dog(1"-1/2").....		116	B12LH(3/16")	Looper Holder(3/16").....	
58	B04NP(1")	Need Plate(1").....		117			
59	B04NP(1"-1/8")	Need Plate(1").....		118			

12. Order gauge parts

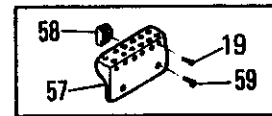
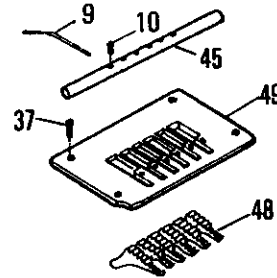
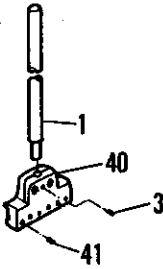
(1/4"; 7/16"; 1"; 1-1/4"; 1-1/2")

78704-PL



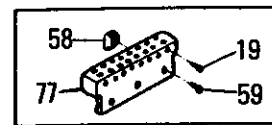
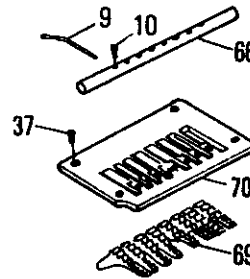
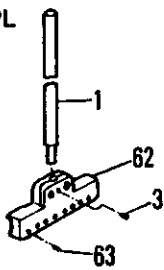
(3/16"; 1/4"; 1/3"; 3/8")

78706P-PL



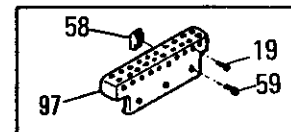
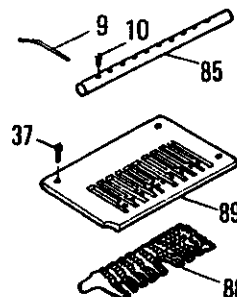
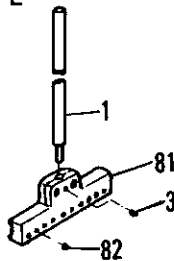
(1/4"; 3/16")

78708P-PL



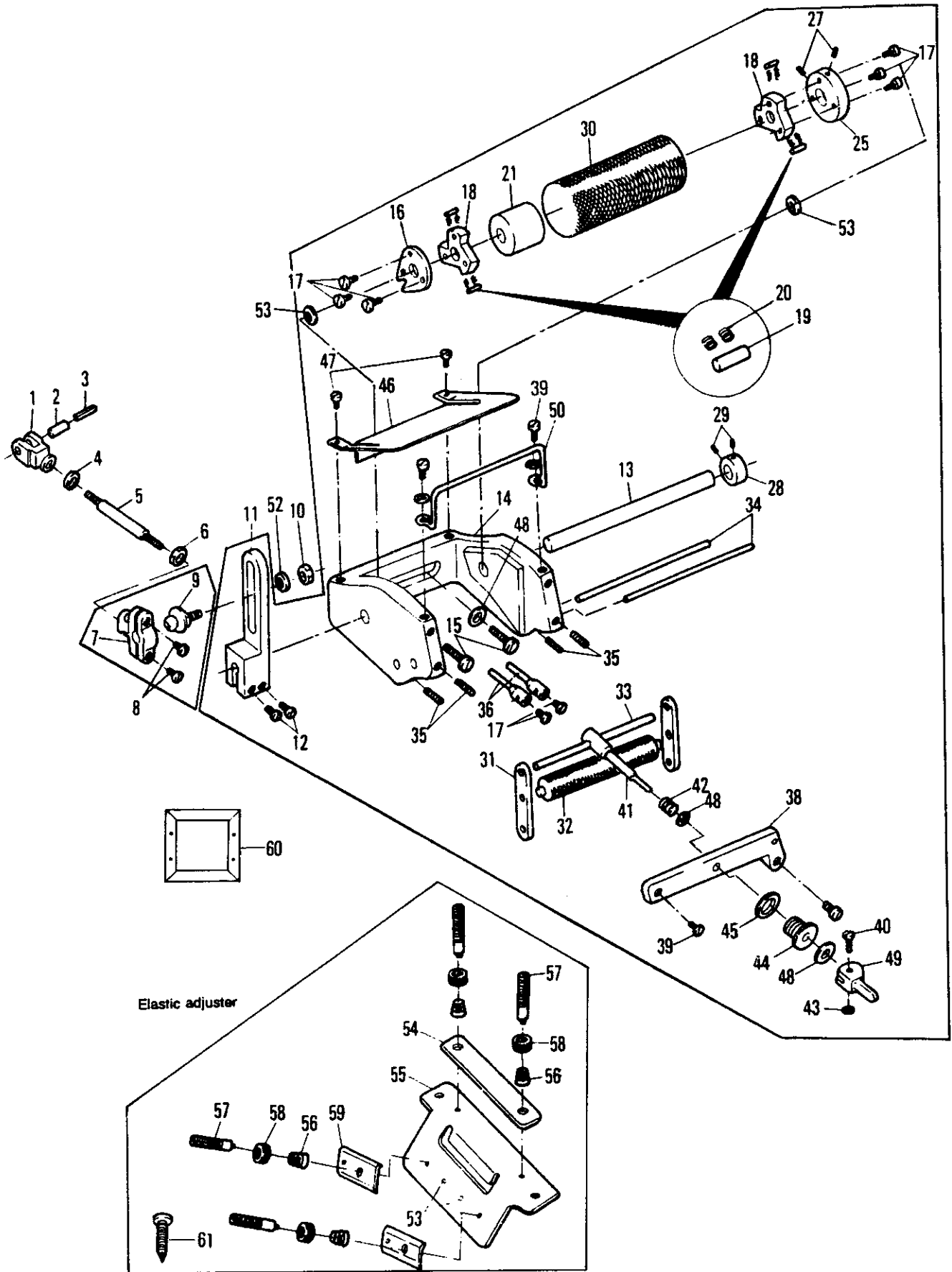
(1/4"; 3/16")

78710P-PL



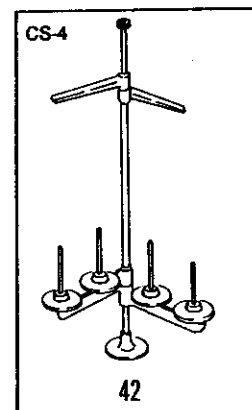
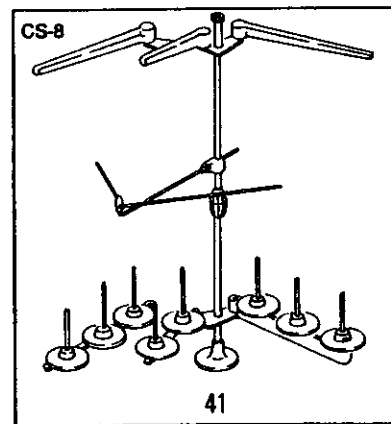
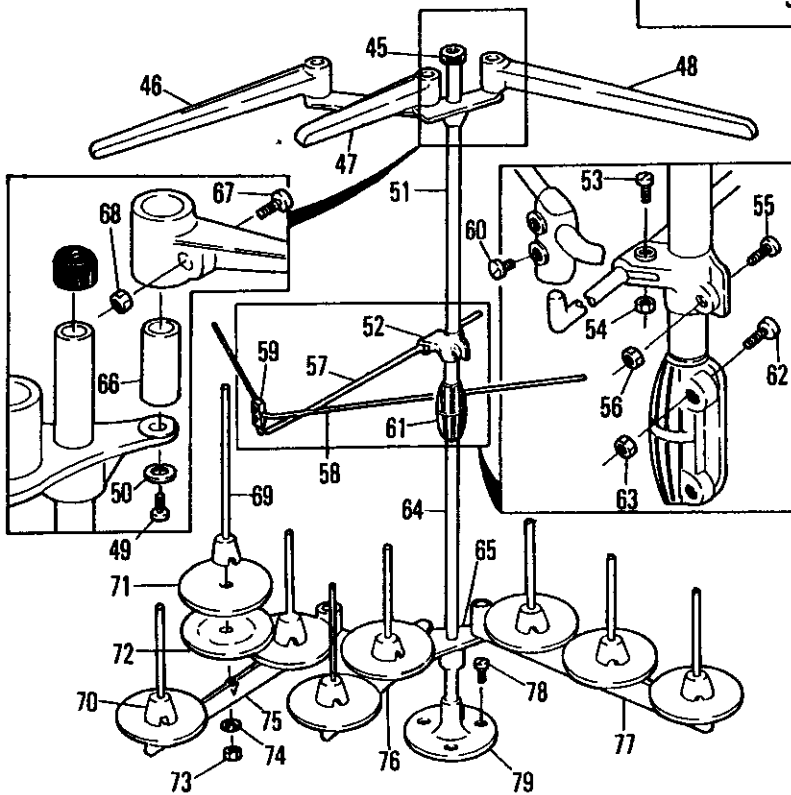
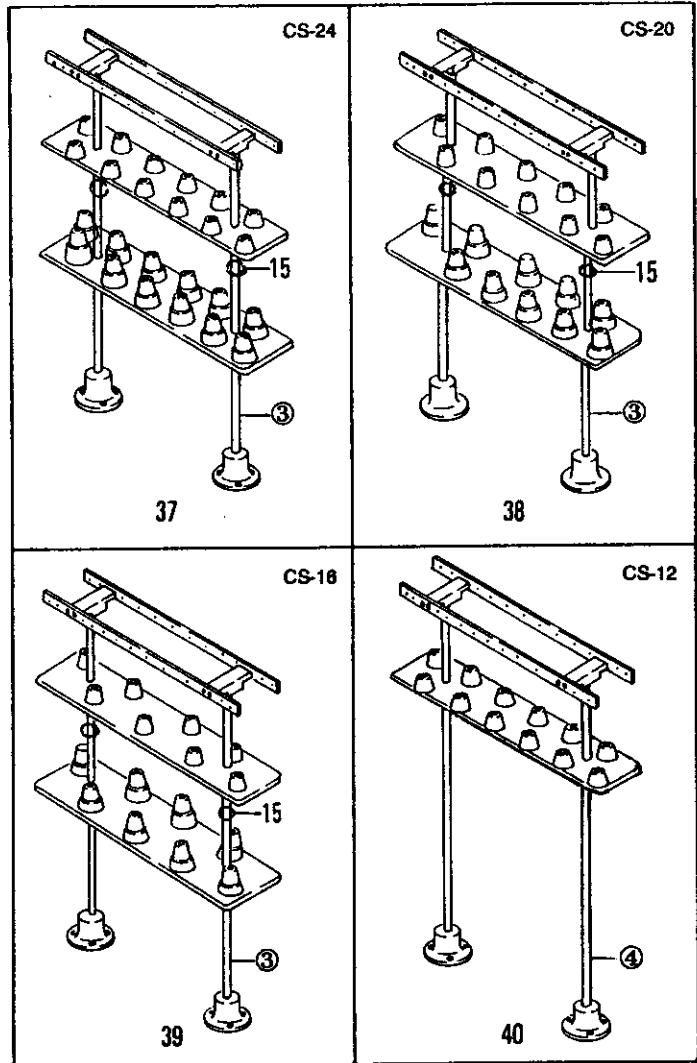
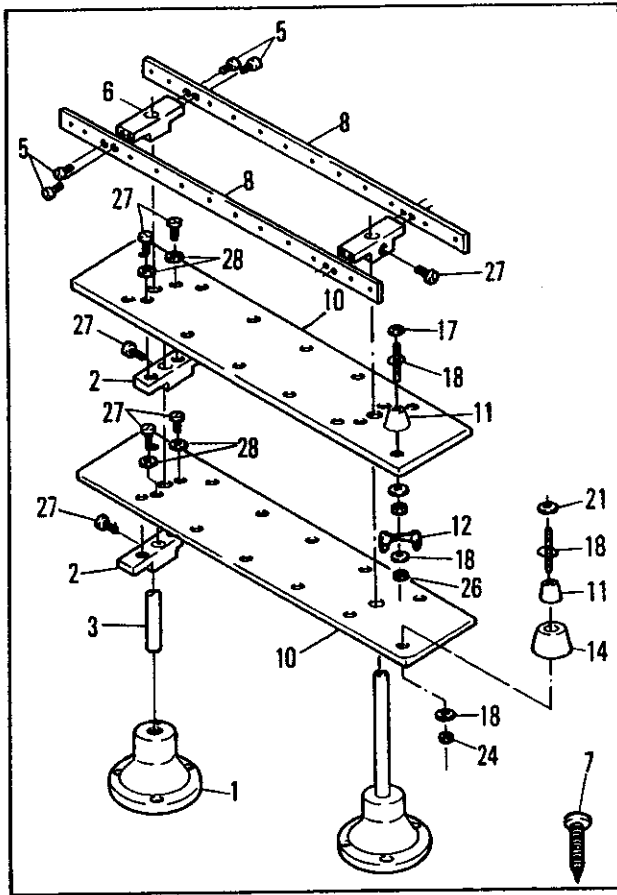
Ref. No.	Part No.	Part Name	Q'ty	Ref. No.	Part No.	Part Name	Q'ty
1	B81111	Needle Bar		51			
2				52			
3	B62208	Screw.....		53			
4	B61022	Screw.....		54			
5				55			
6				56			
7				57	B06LH(3/16"~1/3")	Looper Holder(1/4";3/16")	
8				58			
9	B81124	Retainer Holder.....		59			
10	B60241	Screw.....		60			
11				61			
12				62	B08NH(1/4";3/16")	Needle holder(1/4";3/16").....	
13				63			
14				64	B08PF(1/4";3/16")	Presser Foot(1/4";3/16").....	
15				65			
16				66	B08RH(1/4";3/16")	Retainer Holder(1/4";3/16").....	
17				67			
18				68			
19	B81141	Screw.....		69	B08FD(1/4";3/16")	Feed Dog(1/4";3/16")	
20	B04NH(1/4"~1-1/2")	Needle holder(1/4"~1-1/2").....		70	B08NP(1/4";3/16")	Needle Plate(1/4";3/16").....	
21				71			
22	B04PF(1/4"~1-1/2")	Presser Foot(1/4"~1-1/2")		72			
23				73			
24				74			
25	B04RH(1/4"~1-1/2")	Retainer Holder(1/4"~1-1/2").....		75			
26				76			
27				77	B08LH(1/4";3/16")	Looper Holder(1/4";3/16").....	
28	B04FD(1/4"~1-1/2")	Feed Dog(1/4"~1-1/2")		78			
29	B04NP(1/4"~1-1/2")	Needle Plate(1/4"~1-1/2")		79			
30				80			
31	B04LH(1/4"~1-1/2")	Looper Holder(1/4"~1-1/2").....		81	B10NH(1/4";3/16")	Needle holder(1/4";3/16").....	
32				82			
33				83	B10PF(1/4";3/16")	Presser Foot(1/4";3/16").....	
34				84			
35				85	B10RH(1/4";3/16")	Retainer Holder(1/4";3/16").....	
36				86			
37	B60229	Screw.....		87			
38				88	B10FD(1/4";3/16")	Feed Dog(1/4";3/16")	
39				89	B10NP(1/4";3/16")	Needle Plate(1/4";3/16").....	
40	B06NH(3/16"~1/3")	Needle holder(3/16"~1/3")		90			
41				91			
42	B06PF(3/16"~1/3")	Presser Foot(3/16"~1/3").....		92			
43				93			
44				94			
45	B06RH(3/16"~1/3")	Retainer Holder(3/16"~1/3").....		95			
46				96			
47				97	B10LH(1/4";3/16")	Looper Holder(1/4";3/16").....	
48	B06FD(3/16"~1/3")	Feed Dog(3/16"~1/3")		98			
49	B06NP(3/16"~1/3")	Needle Plate(3/16"~1/3")		99			
50				100			

78704 PMD•78706 PMD Subclass models
13. Front puller mechanism



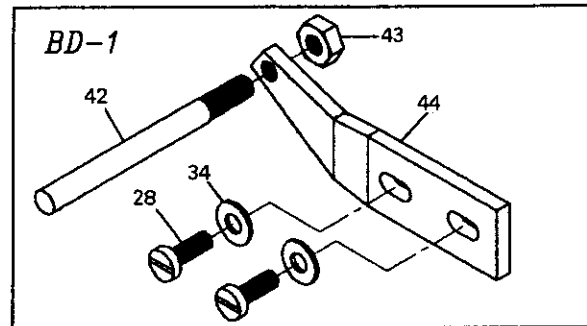
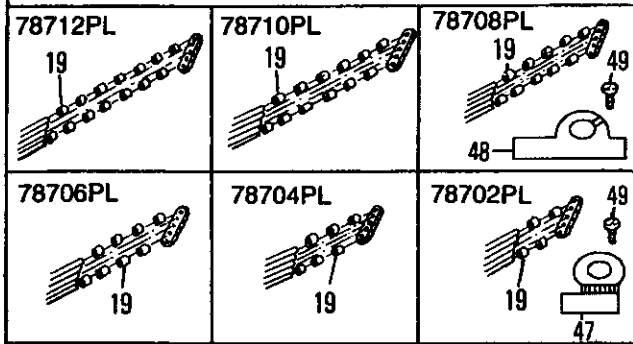
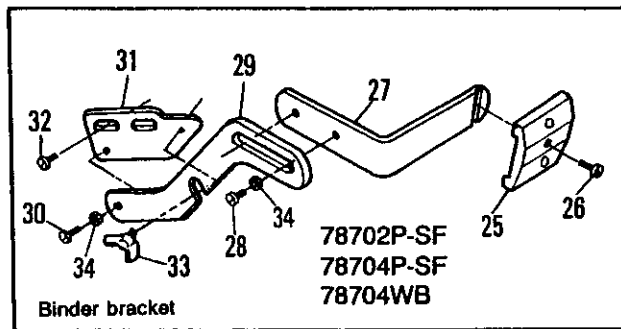
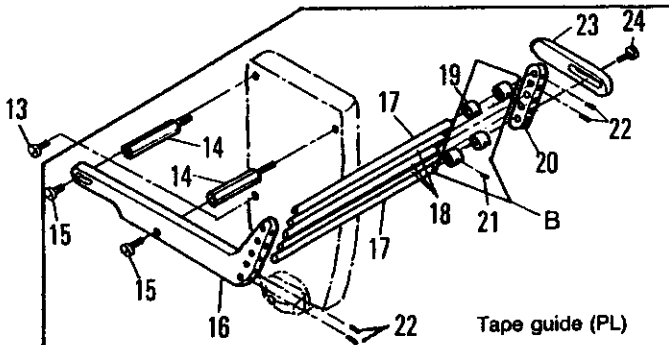
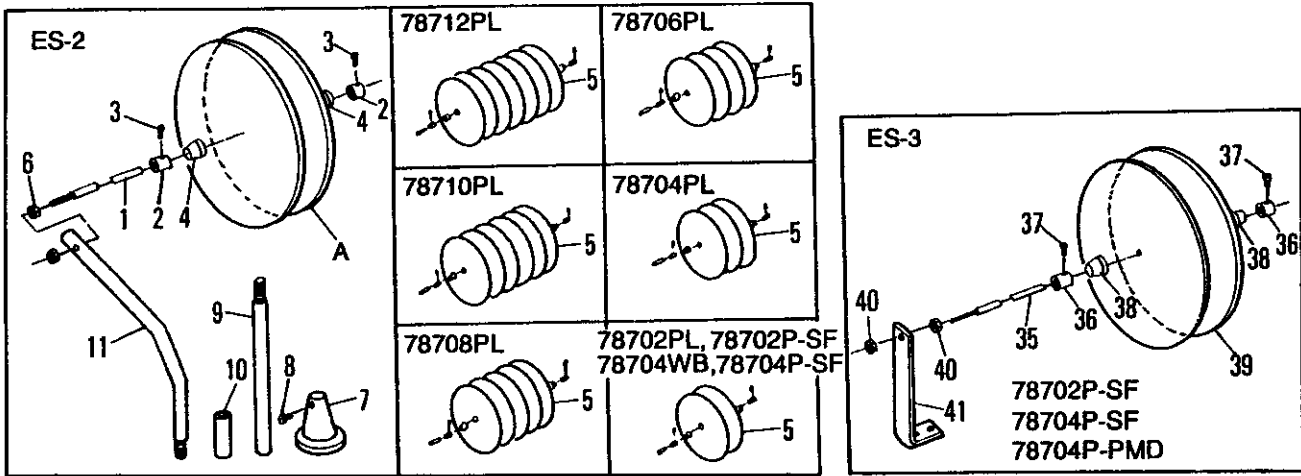
Ref. No.	Part No.	Part Name	Q'ty	Ref. No.	Part No.	Part Name	Q'ty
1	B61201	Connecting link	1	31	B61231	Roller holder	2
2	B60512	Pin	1	32	B61232	Roller	1
3	B60446	Felt	1	33	B61233	Pivot shaft	1
4	B60213	Nut	1	34	B61234	Pivot shaft	2
5	B61205	Puller connecting bar	1	35	B61235	Screw	4
6	B60628	Nut	1	36	B61236	Pivot shaft holder	2
7	B60701	Connecting ball joint	1	37			
8	B60702	Screw	2	38	B61238	Rubber tightener	1
9	B61209	Connecting rod	1	39	B60123	Screw	2
10	B60644	Nut	1	40	B61240	Pin	1
11	B61211	Puller connecting lever	1	41	B61241	Roller controler	1
12	B61212	Screw	2	42	B61242	Spring	1
13	B61213	Puller rocker shaft	1	43	B61243	E-ring	1
14	B61214	Puller rocker	1	44	B61244	Screw	1
15	B61215	Screw	2	45	B61245	Nut	1
16	B61216	Puller clutch driving collar	1	46	B61246	Puller cover	1
17	B60162	Screw	3	47	B60132	Screw	2
18	B60940	Puller driving clutch	2	48	B60111	Washer	
19	B60949	Puller clutch roller	6	49	B61249	Lever	1
20	B60950	Puller driving clutch spring	12	50	B61250	Guide	1
21	B61221	Puller thrust collar	1	51			
22				52	B60645	Washer	1
23				53	B80363	Pin	2
24				54	B61254	Strip tension base	1
25	B61225	clutch driving collar	1	55	B61255	Strip tension plate	1
26				56	B61256	Spring	4
27	B61227	Screw	2	57	B61257	Tension post	4
* 28	B60830	Shaft collar	1	58	B61258	Nut	4
29	B60659	Screw	2	59	B61259	Strip tension plate (small)	4
30	B61230	Puller pipe	1	60	B61260	Connecting holder	1
				61	B61261	Screw	2

14. Thread stand



Ref. No.	Part No.	Part Name	Q'ty	Ref. No.	Part No.	Part Name	Q'ty
1	B81501	Base		41		Thread stand CS-8	1
2	B81502	Base (lower)		42		Thread stand CS-4	1
3	B81503	Bar		43			
4	B81504	Base (upper)		44			
5	B81505	Screw		45		Cap	1
6	B81506	Thread guide bracket		46		Thread guide bracket (3)	
7	B81507	Screw		47		Thread guide bracket (2)	
8	B81508	Thread guide		48		Thread guide bracket (3)	
9				49		Screw	6
10	B81510	Thread base plate		50		Washer	6
11	B81511	Spool retaining pin B		51		Bar (upper)	1
12	B81512	Thread eyelet		52		Shank	1
13		Spool retaining pin B		53		Screw	1
14	B81514	Spool retaining pin A		54		Nut	1
15	B62425	Nut		55		Screw	1
16				56		Nut	1
17	B81517	Screw pin		57		Thread eyelet guide arm bar	1
18	K60841	Washer		58		Thread eyelet guide	1
19		Nut		59		Joint	1
20		Nut		60		Screw	2
21	B81521	Screw pin		61		Joint	1
22		Washer		62		Screw	2
23		Washer		63		Nut	2
24	B81524	Nut		64		Bar (low)	1
25		Washer		65		Base	2
26		Nut		66		Mounting bracket	6
27	B60106	Screw		67		Screw	
28	B60111	Washer		68		Nut	
29		Screw	2	69		Spool pin	
30		Screw	4	70		Spool retaining fin	
31		Washer	4	71		Spool mat	
32		Screw	2	72		Spool tray	
33		Screw	2	73		Nut	
34				74		Washer	
35				75		Spool pin bracket (3)	
36				76		Spool pin bracket (2)	
37		Thread stand CS-24	1	77		Spool pin bracket (3)	
38		Thread stand CS-20	1	78		Screw	3
39		Thread stand CS-16	1	79		Base	1
40		Thread stand CS-12	1				

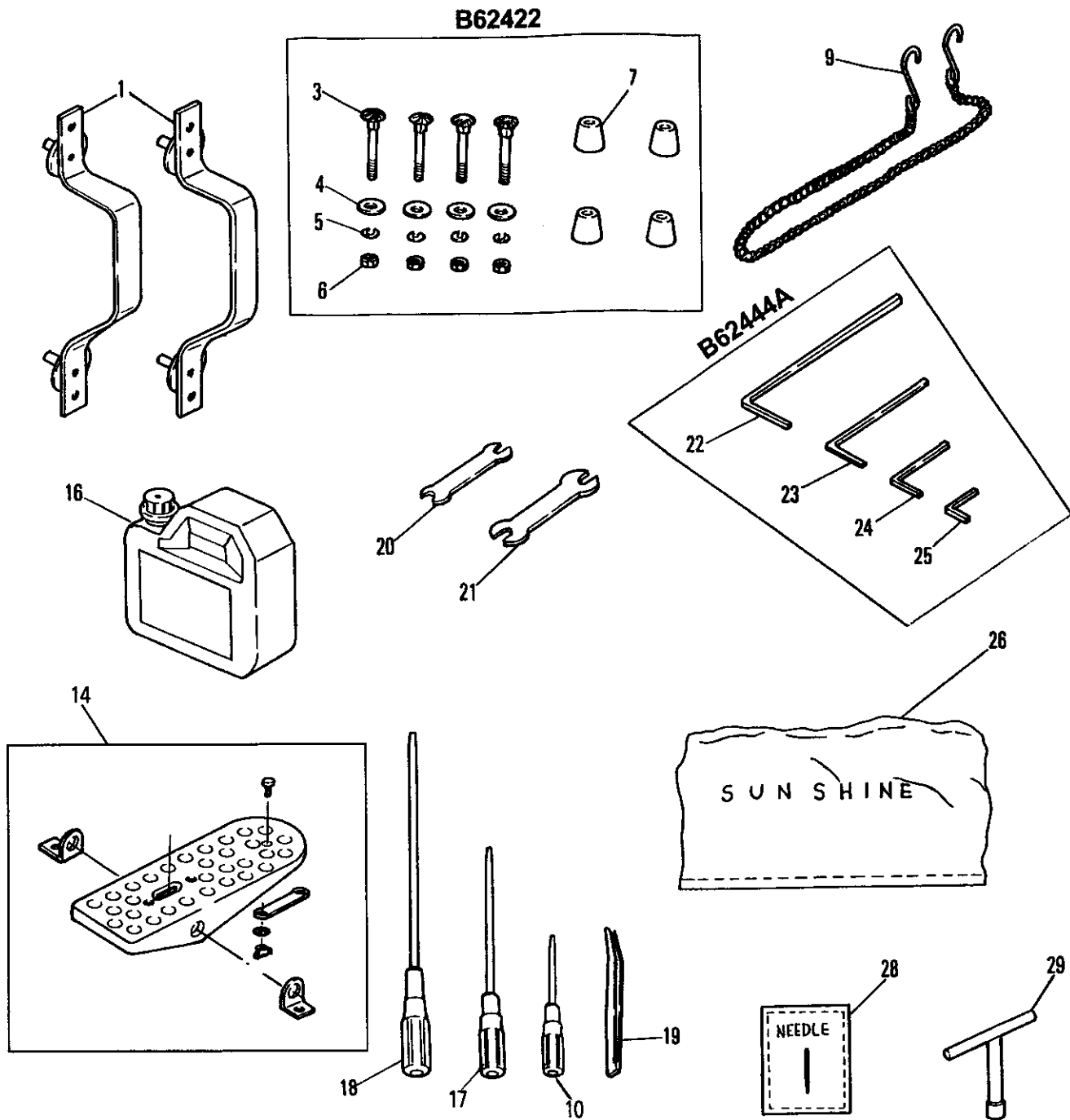
15. Tape stands, Tape guide



Ref. No.	Part No.	Part Name	Q'ty
1		Tape reel post	1
2		Stop collar	2
3		Hex. bolt	2
4		Collar	2
5		Tape reel disc	2
6		Nut	2
7		Base	1
8		Hex. bolt	2
9		Post	1
10		Connecting pipe	1
11		Post	1
12			
13		Screw	3
14	B81614	Mount bracket	2
15	W80125	Screw	2
16	B81616	Guide bracket	1
17	B81617	Guide shaft, large	5
18	B81618	Guide shaft, small	3
19	B81619	Collar, large	10
20	B81620	Guide fixing bracket	1
21		Screw	1
22	B60149	Screw	17
23		Guide clamp	1
24		Screw	1

Ref. No.	Part No.	Part Name	Q'ty
25	W81208	Fixing clamp	1
26	W81212	Screw	1
27	B62103	Mounting base for holder	1
28	B60123	Screw	4
29	B62105	Mounting slide for holder	1
30	B60107	Screw	1
31	B62107	Mounting base for holder	1
32	B60107	Screw	3
33	B62109	Bolt	1
34	B60105	Washer	4
35		Post	1
36		Stop collar	2
37		Hex. bolt	2
38		Collar	2
39	B62405	Tape reel disc	2
40		Nut	2
41		Tape reel plate	1
42	B81642	Shaft	1
43	B60213	Nut	1
44	B81644	Support plate	1
47	B81647	Binder base (L)	1
48	B81648	Binder base (S)	1
49	B80824	Screw	2

16. Accessories



Ref. No.	Part No.	Part Name	Q'ty
1	B62420	Machine mount bracket	2
2			
3	B62422	Screw	4
4	B62423	Washer M8	4
5	B62424	Spring washer	4
6	B62425	Nut	4
7	B62426	Cushion rubber	4
8			
9	B62428	Tie-rod (Joint)	1
10	W902715	Screw drive (small)	
11			
12			
13			
14	B62433	Pedal	1
15			
16	B62435A	Oil	1

Ref. No.	Part No.	Part Name	Q'ty
17	B62436	Screwdriver (middle)	1
18	B62437	Screwdriver (large)	1
19	B62438	Tweezers	1
20	B62439	Spanner (small)	1
21	B62440	Spanner (large)	1
22	B62444	Wrench A	1
23	B62443	Wrench B	1
24	B62442	Wrench C	1
25	B62441	Wrench D	1
26	B62445	Machine cover	1
27			
28	B62447	Needle UDX113, UY113, SY7090	
29	B62448	Wrench T	1

17. Table stand installation diagram

