



M-TYPE **884**
Made by DÜRKOPP ADLER

Special Sewing Machine

Instruction manual

Postfach 17 03 51, D-33703 Bielefeld • Potsdamer Straße 190, D-33719 Bielefeld
Telefon +49 (0) 521 / 9 25-00 • Telefax +49 (0) 521 / 9 25 24 35 • www.duerkopp-adler.com

Ausgabe / Edition: 10/2012	Änderungsindex Rev. index: 01.0	Printed in Federal Republic of Germany	Teile-Nr./Part.-No.: 0791 884751
--------------------------------------	---	--	--

All rights reserved.

Property of Dürkopp Adler AG and copyrighted. Reproduction or publication of the content in any manner, even in extracts, without prior written permission of Dürkopp Adler AG, is prohibited.

Copyright © Dürkopp Adler AG - 2012

Foreword

This instruction manual is intended to help the user to become familiar with the machine and take advantage of its application possibilities in accordance with the recommendations.

The instruction manual contains important information on how to operate the machine securely, properly and economically. Observation of the instructions eliminates danger, reduces costs for repair and down-times, and increases the reliability and life of the machine.

The instruction manual is intended to complement existing national accident prevention and environment protection regulations.

The instruction manual must always be available at the machine/sewing unit.

The instruction manual must be read and applied by any person that is authorized to work on the machine/sewing unit. This means:

- Operation, including equipping, troubleshooting during the work cycle, removing of fabric waste,
- Service (maintenance, inspection, repair) and/or
- Transport.

The user also has to assure that only authorized personnel work on the machine.

The user is obliged to check the machine at least once per shift for apparent damages and to immediately report any changes (including the performance in service), which impair the safety.

The user company must ensure that the machine is only operated in perfect working order.

Never remove or disable any safety devices.

If safety devices need to be removed for equipping, repairing or maintaining, the safety devices must be remounted directly after completion of the maintenance and repair work.

Unauthorized modification of the machine rules out liability of the manufacturer for damage resulting from this.

Observe all safety and danger recommendations on the machine/unit! The yellow-and-black striped surfaces designate permanent danger areas, eg danger of squashing, cutting, shearing or collision.

Besides the recommendations in this instruction manual also observe the general safety and accident prevention regulations!

General safety instructions

The non-observance of the following safety instructions can cause bodily injuries or damages to the machine.

1. The machine must only be commissioned in full knowledge of the instruction book and operated by persons with appropriate training.
2. Before putting into service also read the safety rules and instructions of the motor supplier.
3. The machine must be used only for the purpose intended. Use of the machine without the safety devices is not permitted. Observe all the relevant safety regulations.
4. When gauge parts are exchanged (e.g. needle, presser foot, needle plate, feed dog and bobbin) when threading, when the workplace is left, and during service work, the machine must be disconnected from the mains by switching off the master switch or disconnecting the mains plug.
5. Daily servicing work must be carried out only by appropriately trained persons.
6. Repairs, conversion and special maintenance work must only be carried out by technicians or persons with appropriate training.
7. For service or repair work on pneumatic systems, disconnect the machine from the compressed air supply system (max. 7-10 bar). Before disconnecting, reduce the pressure of the maintenance unit. Exceptions to this are only adjustments and functions checks made by appropriately trained technicians.
8. Work on the electrical equipment must be carried out only by electricians or appropriately trained persons.
9. Work on parts and systems under electric current is not permitted, except as specified in regulations DIN VDE 0105.
10. Conversion or changes to the machine must be authorized by us and made only in adherence to all safety regulations.
11. For repairs, only replacement parts approved by us must be used.
12. Commissioning of the sewing head is prohibited until such time as the entire sewing unit is found to comply with EC directives.
13. The line cord should be equipped with a country-specific mains plug. This work must be carried out by appropriately trained technicians (see paragraph 8).



It is absolutely necessary to respect the safety instructions marked by these signs.

Danger of bodily injuries !

Please note also the general safety instructions.



Introduction and safety instructions

Part 1: Operating Instructions Class 884 – Original Instructions

(Edition 10/2012)

1	Product description	5
2	Designated use	5
3	Subclasses	7
4	Optional equipment	8
5	Technical data	
5.1	Technical data subclasses.	10
6	Operation	
6.1	Threading the needle thread	11
6.2	Winding the hook thread.	12
6.3	Bobbin insertion and threading the hook thread	12
6.4	Adjusting the thread tension	13
6.4.1	Adjusting the hook thread tension	13
6.4.2	Adjusting the needle thread tension	14
6.5	Switching the thread tensioners on/off	16
6.6	Adjusting the thread regulator	17
6.7	Needle change in single needle machine with the hook to the right from the needle.	18
6.8	Lifting and folding the roller presser.	19
6.9	Sewing-foot pressure.	20
6.10	Sewing backward (feeding backward; backtacking)	21
6.11	Setting the stitch length	22
6.12	Starting the manually controlled machine with the clutch motor.	23
6.13	Operating the machine equipped with the positioning motor.	24
6.13.1	Using the pedal	24
6.13.2	Using the key	25
6.14	Material guide	26
6.14.1	Material guide switch on/off.	26
6.14.2	Adjusting the material guide	27
7	Positioning drive Efka DC1550/DA321G	28
8	Sewing with machine equipped with positioning motor	
8.1	Machine automatic function	29
8.2	Example of machine operation at sewing	30

9	Maintenance	
9.1	Cleaning and checking	31
9.2	Lubrication	33
9.3	Repair	34

1 Product description

The Dürkopp Adler **884** is a special single needle sewing machine with narrow post bed for universal use.

- It is a double lockstitch post bed sewing machine .
- It has a two step feed. A lower wheel feeder and a driven roller presser feed in two steps, a needle feed feeds in the first step only. The first step represents 50% of the total stitch length. Depending on subclass, the machine may be equipped with automatic functions such as thread trimming, automatic backtacking, automatic foot lifting, or without them.
- The machine is equipped with a standard two part vertical hook.
- Maximum foot lift is 12 mm.
- The residual thread length after thread trimming is about 8 mm.
- A safety clutch prevents a changing of the hook setting or a hook damage in the case of a thread deflection into the shuttle track.
- The throat plate has replaceable inserts with the stitch hole dimension difference, which are optional depending on the needle size.
- Automatic wick lubricating with an inspection glass on the arm for machine and hook lubrication.
- Integrated bobbin winder.

2 Designated use

The class **884** is designated for sewing shoe, leather, and upholstery sewing. In general, the material sewn is leather (natural or artificial). It is possible to use it for shoe fabrics too.

The equipment for light or medium heavy sewing is mounted on the machine as an option.

It is possible to sew dry material only which may not be thicker than 7 mm when pressed down with a roller presser. The material may not contain hard objects, as the machine is not equipped with an eye guard. This machine may be operated in dry rooms and by a trained person only who is aware of the risks described in this instruction.

This special sewing machine may be set up and operated only in dry, well-maintained premises. If the sewing machine is used in premises which are not dry and well-maintained it may be necessary to take further precautions (which should be agreed in advance - see EN 60204-31:1999).

As manufacturers of industrial sewing machines we proceed on the assumption that personnel who work on our products will have received training at least sufficient to acquaint them with all normal operations and with any hazards which these may involve.

Notes:

3 Subclasses

- 884-150050** Single-needle double lockstitch post bed sewing machine with wheel feed, needle feed with driven roller foot and standard hook.
- 884-150152** Single-needle double lockstitch post bed sewing machine with wheel feed, needle feed with driven roller foot and standard hook, electro-magnetic thread cutter, electro-magnetic seam bartacking and sewing foot lifting.
Reduced stitch equipment: by pressing a key on the machine head a complete stitch with shortened stitch length is sewn.

4 Optional equipment

The following optional equipments are available for the class **884** :

Order No.	Optional equipment	Subclasses			
		884-150050	884-150152		
9880 888101	Integrated sewing light with 2 LED, including dimmer transformer	x	x		
9880 888100	Diode sewing light 3W	x	x		
0888 320254	Variator for a continuous regulation of the difference between the feed wheel and the driven roller foot	o	x		
0688 130384	Knee lever for the sewing foot lifting	x	x		
9805 791113	USB-Memory-Stick for data transfer with the Efka Control DA321G	x	x		
0867 490013	Bracket for the control panel	x	x		
0867 490244	Measuring and displaying the pressure value of the presser roll and the the needle thread tension		x		
0888 310134	Kit for the blocking of the needle feeding	x	x		
0884 590014	Upgrade kit		x		
N800 080030	Retractable material guide	x	x		
N800 080040	Retractable roller material guide	x	x		

Stands

MG 55 400334	Stand set MG 55-3 for toothed belt drive, with pedal Table top size 1060 x 500 mm	x	x		
MG55 400324	Stand set MG 55-3 for V-belt drive, with pedal Table top size 1060 x 500 mm	x	x		

x = Optional equipment
o = Standard equipment

Additional optional equipments can be requested at our Application Center (APC).
E-Mail: marketing@duerkopp-adler.com

5 Technical data

Noise: Workplace-related emission value in accordance with DIN EN ISO 10821.

884-150050 **LC = _dB (A)**
Stitch length: _ mm Sewing foot stroke: mm
Speed: ____ min⁻¹
Material:

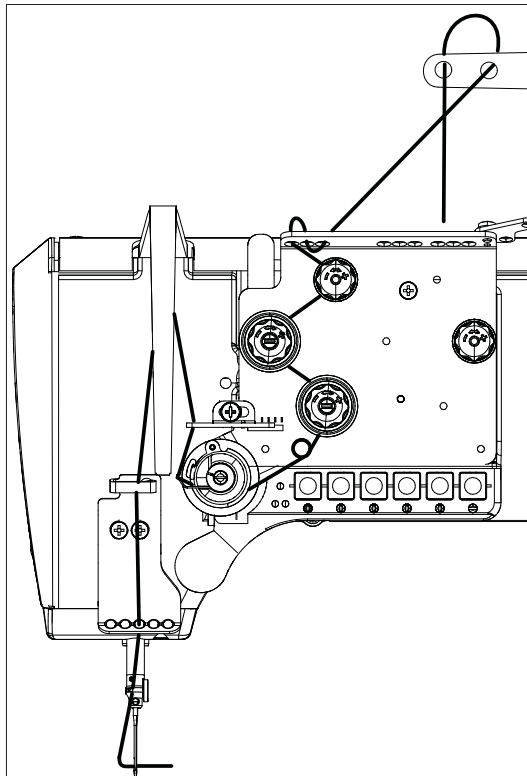
884-150152 **LC = _dB (A)**
Stitch length: _ mm Sewing foot stroke: mm
Speed: ____ min⁻¹
Material:

5.1 Technical data subclasses

Subclasses		884-150050	884-150152		
Type of stitch		Lock stitch 301			
Hook type		standard	standard		
Number of needles		1	1		
Needle system		134			
Needle size (depending on E-No.)	[Nm]	110			
Max. thread thickness	[Nm]	30/3			
Stitch length Forwards Backwards	[mm]	4 4			
Max. Speed	[min ⁻¹]	3,000			
Number of stitches with factory setting	[min ⁻¹]	2,500			
Max. sewing foot stroke	[mm]	12			
Operating pressure	[bar]				
Air consumption per working cycle	[NL]				
Dimensions (H x W x D)	[mm]	550 / 220 / 600			

6 Operation

6.1 Threading the needle thread



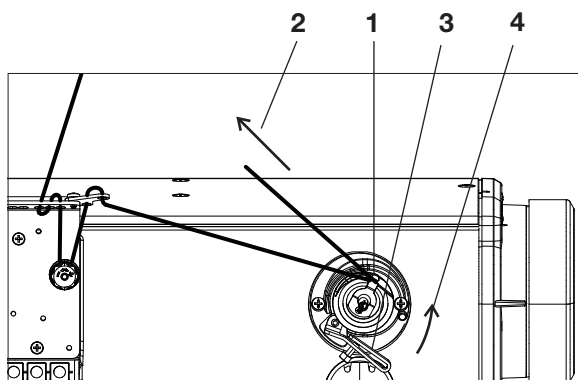
Caution! Risk of injury!

Turn off the main switch.

The needle thread may only be threaded with the sewing machine switched off.

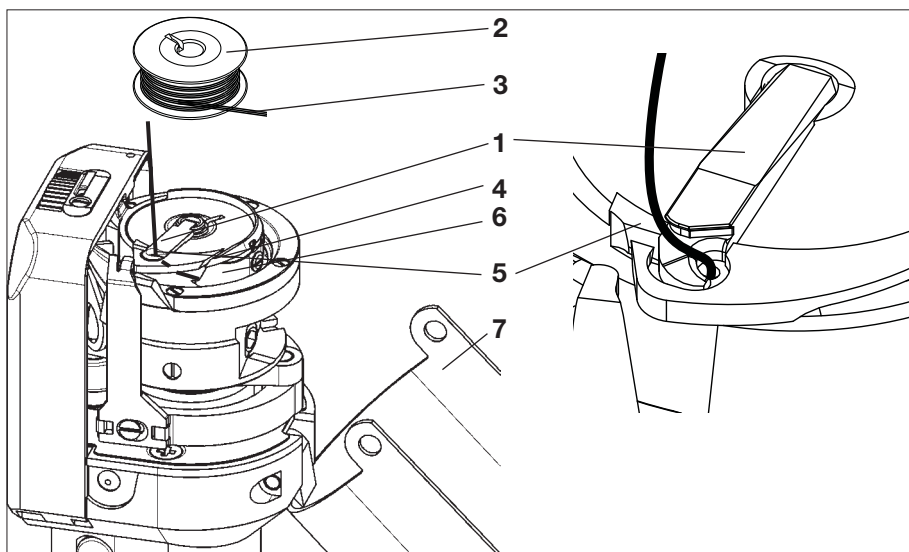
- Thread the machine according to picture.

6.2 Winding the hook thread



- Thread the thread according to the picture.
- Insert the thread under the knife 1 and tear off by pulling in the arrow direction 2.
- Fix the bobbin and press the lever 3 in the direction 4.
- Start the machine up.
- After the thread winding, slide the thread under the knife again 1 and tear it off.
- Insert another bobbin immediately and press the lever 3.

6.3 Inserting the bobbin and threading the hook thread



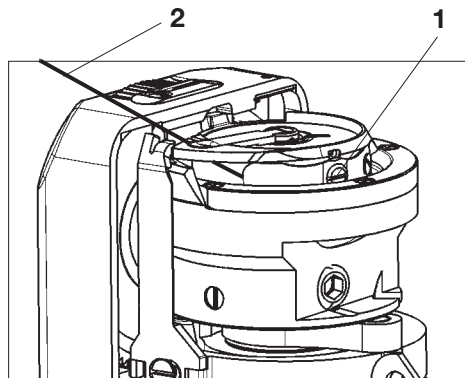
Caution! Risk of injury!

Switch the main switch off and wait till the motor stops.

- Tilt the shutter 1 up.
- Insert the bobbin 2 with the thread end 3 oriented according to the picture.
- Thread the thread through the slit 4 and space 5, hook upon the shutter 1 and fasten it under the spring 6.
- Draw the thread in the sewing direction to the throat plate corner (about 40 mm).
- Close the cover hook 7.
- Cut the protruding thread.

6.4 Adjusting the thread tension

6.4.1 Adjusting the hook thread tension



Caution! Risk of injury!

Turn off the main switch.

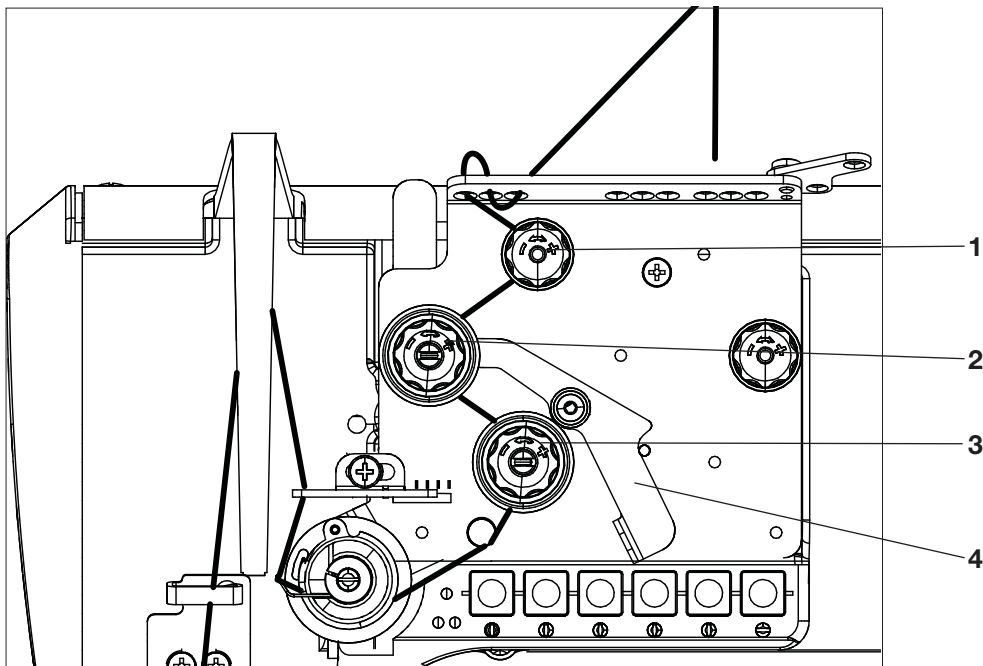
The hook thread tension may only be adjusted with the machine switched off.

- Adjust the hook thread tension via the screw 1. Increase the tension by tightening the screw.
- Measure the thread tension with a dynamometer. Thread the thread according to the picture and pull in the arrow direction 2. This tension is adjusted in the factory in dependence on the selected sewing equipment according to the table below, and it is suitable for the usual sewing operations. For sewing thin soft materials, it is necessary to reduce the tension. If the seam is to be tightened strongly, it is necessary to increase the tension and reduce the sewing speed at the same time.

Hook thread tension mean value

Sewing category	Used needle size	Thread tension in grams
light	70 - 80	50
medium	90 - 110	65

6.4.2 Adjusting the needle thread tension



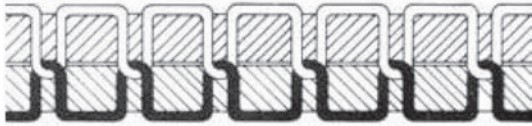
Adjusting the pre-tensioner 1

- Adjust the supplementary tensioner 1 so that it has the lowest tension possible, but so high that, when taking out the sewn material after the preceding trimming (when the tensioners 2 and 3 are switched off), the thread is not pulled out of the tensioner 1. (Tensioner 1 is not switched off at the foot lifting).

Adjusting tensioners 2 and 3

ECO and CLASSIC machines with electro-magnetic control

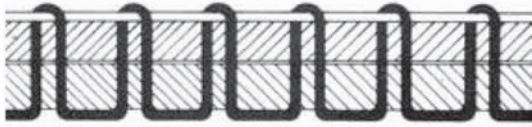
- The machine can be equipped with a lever 4 for the tensioner 2 temporary switching off. In this case, two thread tension values can be pre-selected and a good stitch tightening can be achieved when sewing over a variable number of layers of the sewn material with one seam.
- Switch the tensioner off 2 with the lever 4 and sew on a smaller number of layers.
- Regulate the thread tension with the tensioner 3, till a good thread loop is achieved (see below).
- Switch the tensioner on 2 by the lever 4 shifting out and sew on a greater number of layers.
- Regulate the thread tension with a tensioner 2, till a good thread loop is achieved (see below).
- If the machine is not equipped with the lever 4, regulate the tension by both tensioners 2 and 3 at the same time so that their nuts are screwed approximately in the same height.



Correct thread interlacing in the center of the material

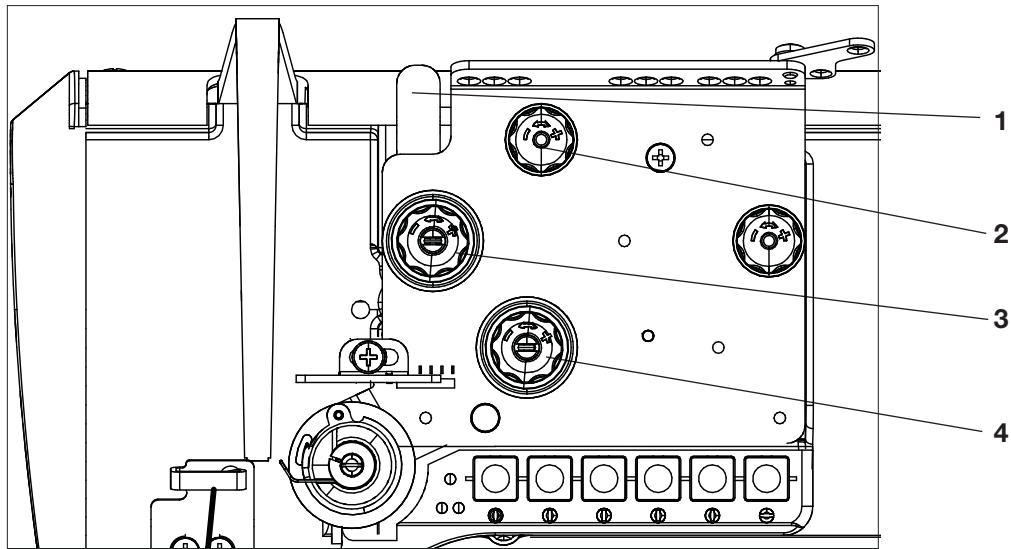


Needle-thread tension too weak
or
hook-thread tension too strong



Needle-thread tension too strong
or
hook-thread tension too weak

6.5 Switching on/off the thread tensioner



ECO and CLASSIC machines with electro-magnetic control

- When pulling the hand lever 1 towards the operator, the tensioners 3 and 4 are switched off.
- Tensioner 2 is never switched off.

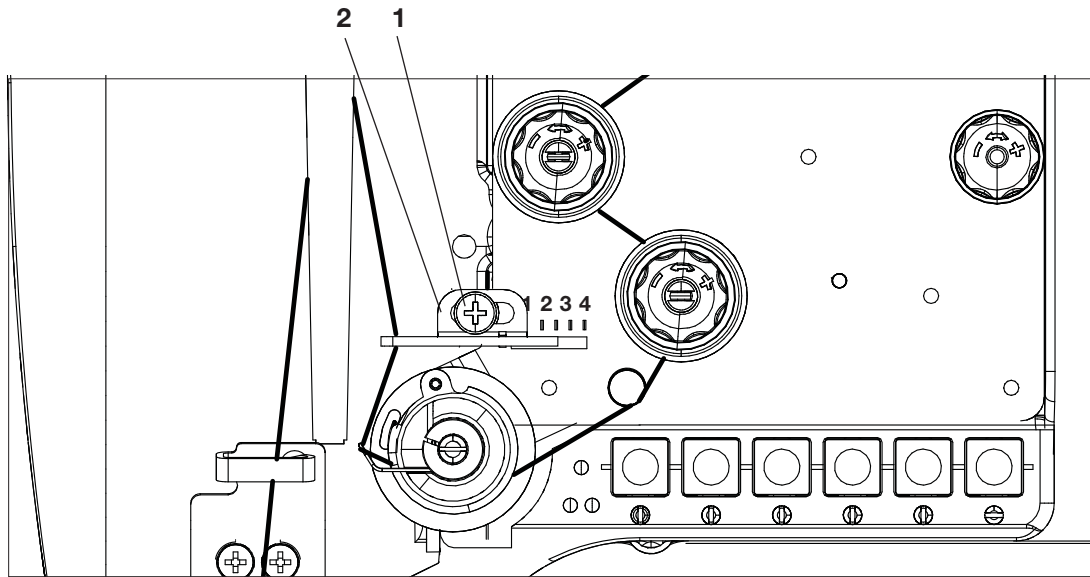
Manually controlled machines (without the thread trimming)

- Tensioners 3 and 4 are mechanically switched off when the foot is lifted with a hand or knee lever.

Machines with the thread trimming

- Tensioners 3 and 4 are switched off with an electric magnet or pneumatic cylinder at the foot automatic lifting. If the automatic foot lifting at the machine stop is pre-selected, the tensioners are switched off, but temporarily only, so that the switching off electric magnet does not overheat.
- Tensioners 3 and 4 are also switched off temporarily during the trimming cycle.
- Tensioners 3 and 4 are not switched off at the foot lifting with the hand or knee lever.

6.6 Adjusting the thread regulator

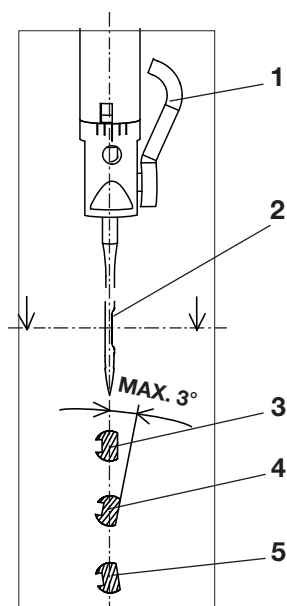


The thread regulator 2 controls the quantity of needle thread required for stitch formation.

The thread regulator must be precisely adjusted for an optimum result.

- Loosen the screw 1, shift the thread regulator 2, and tighten the screw 1.
- For most of the sewing operations, the thread regulator optimal setting is with its right edge set to "2".
- The setting "3" or "4" is suitable for thin materials and very short stitches only.

6.7 Needle change in a single needle machine with the hook to the right of the needle



Caution! Risk of injury!

Replace the needle with the main switch switched off and the motor stopped.

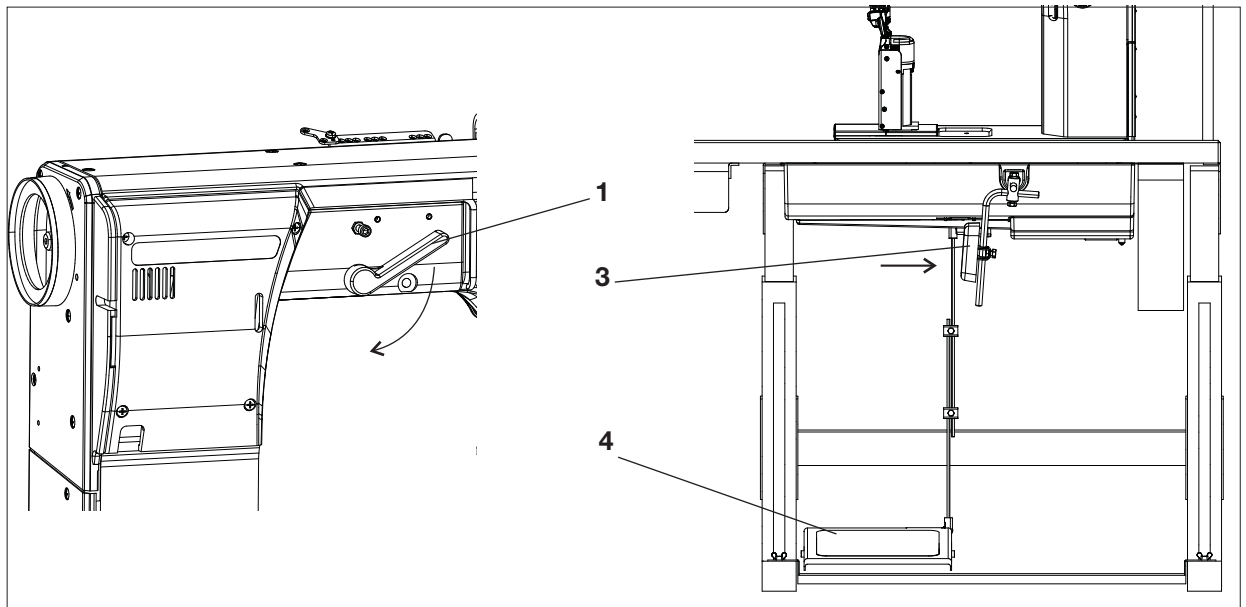
- Draw the lever 1 in your direction to loosen the screw fixing the needle.
- Remove the needle and insert a new one with the needle scarf 2 to the right [see chapter 3 or 4]. The needle may not be oriented as shown at section 5.
- Turn the lever 1 back to tighten the screw fixing the needle.



Caution! Danger of breakage!

A false orientation of the needle may damage the hook point. When changing to another needle size, the distance between hook and needle, as well as the position of the throat plate towards its post must be readjusted (see service instructions).

6.8 Lifting and folding the roller presser



Lifting the roller presser with a hand lever

- Lift the roller presser by the lever turning 1 in the arrow direction to the stop (the roller presser remains lifted, the lever 1 remains tilted).
- Lower the roller presser by putting the lever 1 to the initial position, or by pressing the knee lever 3 and its subsequent release.
- After the roller presser lifting with the hand lever, the machine may be started up (e.g. for hook thread winding).

Roller presser lifting with the knee lever

- The roller presser is lifted by pressing the lever 3; the roller presser is lowered at the lever release.



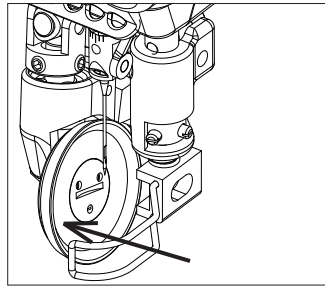
Caution!

At the roller presser lifting higher than 6 mm over the throat plate the machine may not operate, otherwise the needle bar with the needle holder hits the roller presser, or the needle guides of the double needle machines.

Roller presser lifting with a pedal - automatically

- The roller presser lifting in the machines equipped with a positioning motor (drive) can be controlled by the pedal 4 treading in the position -1 (see chapter 6.16.1). The roller presser is lifted to the upper dead point by means of an integrated electric magnet. After the pedal is released, the roller presser is lowered.
- It is possible to pre-select the automatic roller presser lifting at each machine stop without the necessity to tread the pedal in the position to the position -1. In this case, the roller presser is lowered at the pedal treading in the position +1. After the finishing of the seam, the roller presser remains lifted permanently (see chapter 8).

Roller presser folding

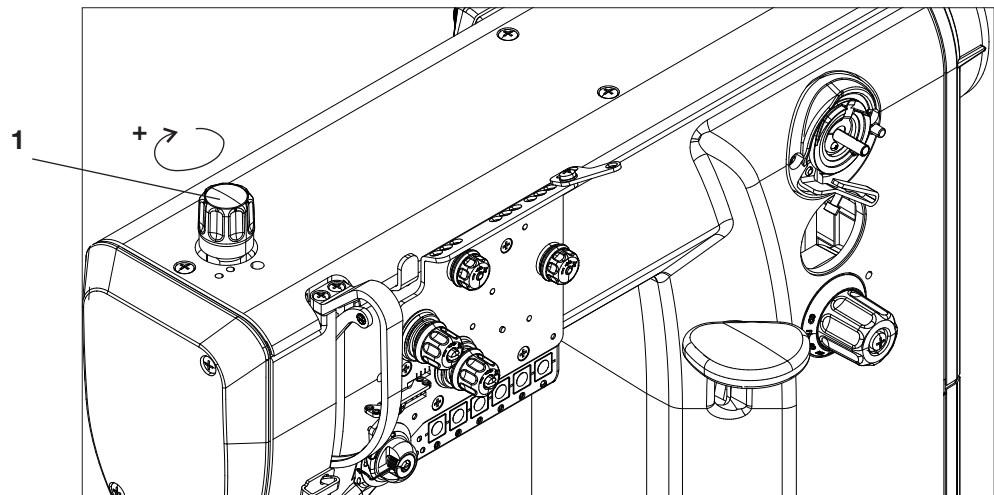


Caution! Risk of injury!

Roller presser folding to be done at main switch off and standing motor.

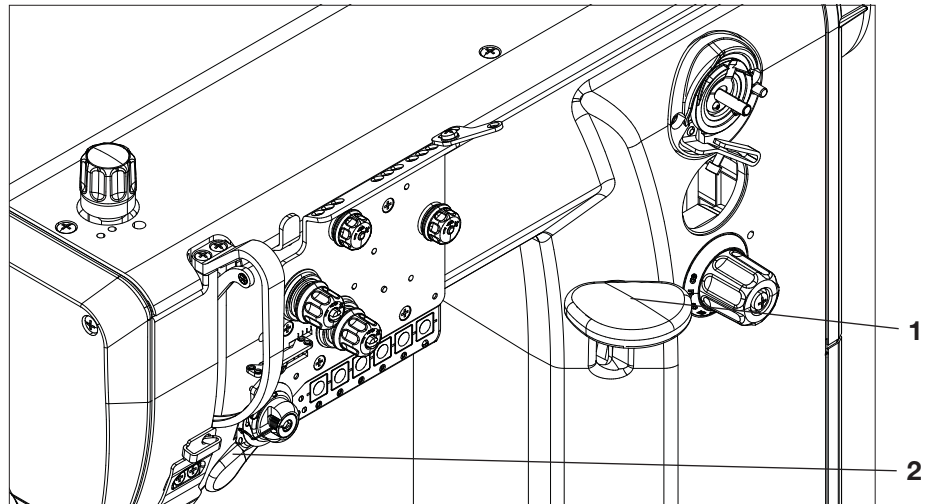
- Lift the roller presser with the hand lever.
- Lift the roller presser by pressing in the signed direction.

6.9 Sewing-foot pressure



- The required sewing-foot (roller) pressure is set with the setting wheel 1.
- To increase the roller pressure = turn the setting wheel 1 clockwise.
To decrease the roller pressure = turn the setting wheel 1 anti-clockwise.
- The roller pressure is to be as small as possible, but strong enough so that the roller presser is not lifted by the needle friction in the material during the upward movement and that the feeding is reliable.
- The maximum roller presser pressure is 100 N.

6.10 Sewing backward (feeding backward; backtacking)



Backtacking with a lever

- Push the stitch regulator lever 1 downward. The machine sews backward stitches as long as the stitch regulator lever 1 is being pushed.

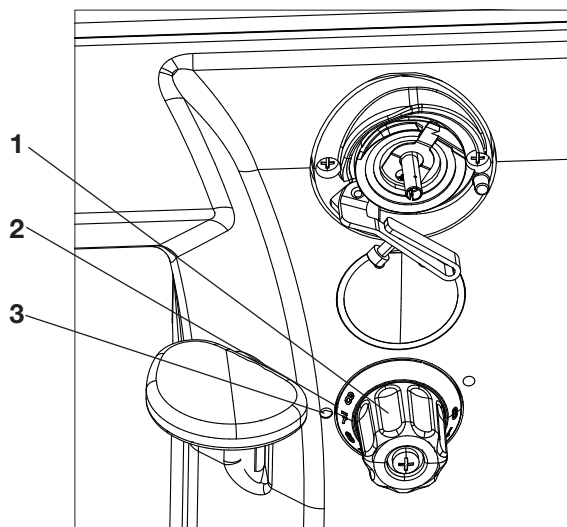
Backtacking with a key

- Press the key 2. The machine sews backward stitches as long as the key 2 is being pressed.

Automatic backtacking (bartacking)

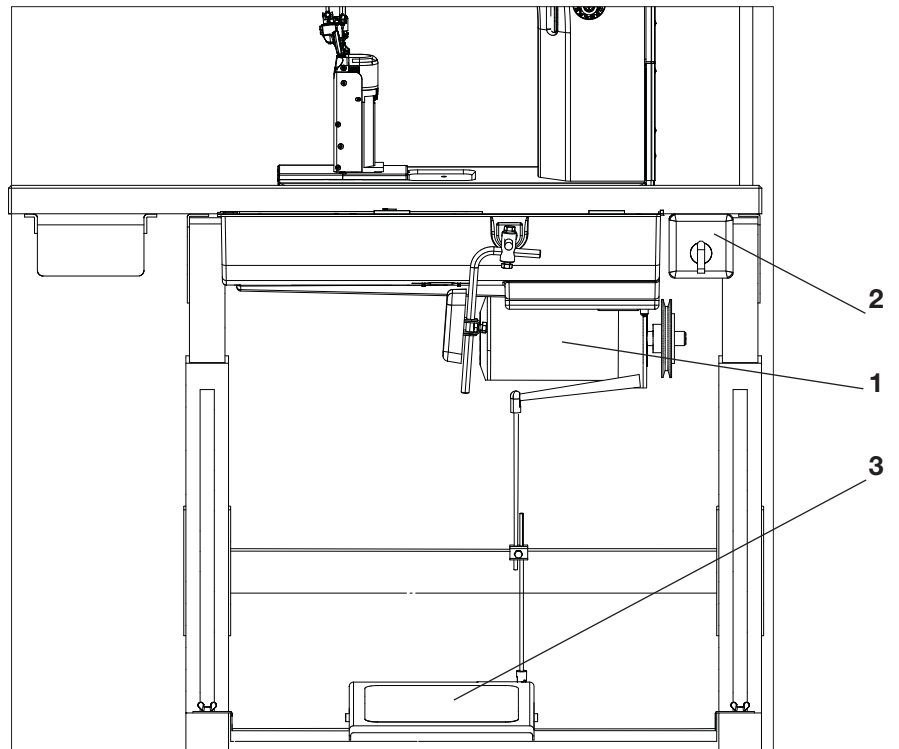
- In the machines equipped with the positioning motor it is possible to pre-select the backtacking by a pre-selected backstitches number both at the beginning and at the seam end. At the seam beginning (after the preceding thread trimming) after the pedal treading forwards the machine sews the pre-selected bartack entirely automatically. The same at the seam end after the pedal treading in the position –2 the machine sews the pre-selected end bartack and then trims the threads (see chapter 8).

6.11 Setting the stitch length



- Turn the button 1 so that the number 2 indicating the required stitch length in mm corresponds to the mark 3.

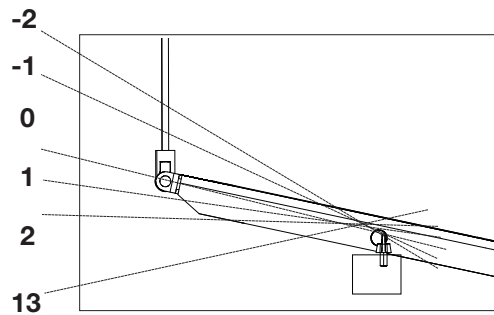
6.12 Starting up the manually controlled machine with a clutch motor



- Switch on the motor 1 using the switch 2.
- Tread the pedal 3. The motor friction clutch is activated and the sewing machine starts running.
- The sewing speed is determined through the pedal 3.
- Release the pedal 3. The sewing machine stops.

6.13 Controlling the machine equipped with a positioning motor

6.13.1 Using the pedal



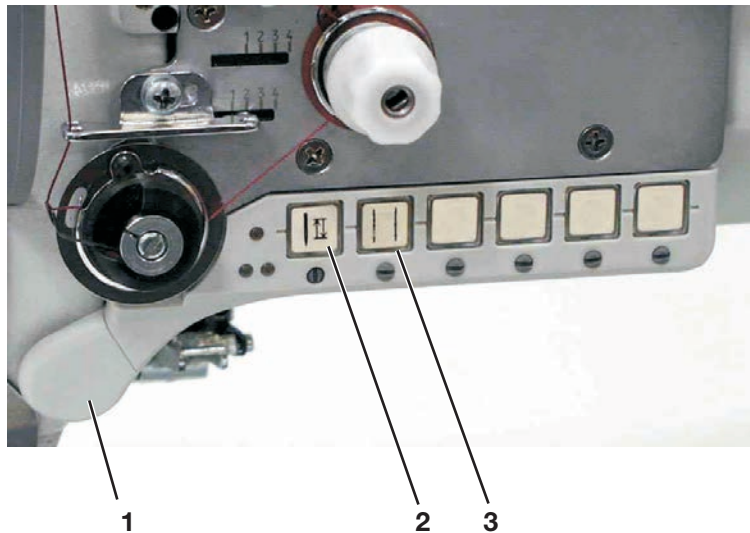
The pedal position is scanned by a sensor distinguishing 16 levels. The meaning is given in the table:

Pedal position	Pedal motion	Meaning
-2	Over heel fully backwards	Command for thread trimming (seam finishing)
-1	Over heel slightly backwards	Command for foot lifting
0	Neutral position	See notes
1	Slightly forwards	Command for foot lowering
2	Further forwards	Sewing at minimum speed (1. speed gear)
3	Further forwards	Sewing - 2. speed gear
:	:	:
13	Fully forwards	Sewing at maximum speed (12. speed gear)

Note:

In addition to the neutral position, it is possible to pre-select the needle position (down/up) and the foot position (down/up) at the stopping in the seam (by the pedal positioning in the neutral position), the foot position (down/up) after the seam finishing (by the pedal treading fully backwards and positioning the pedal in the neutral position).

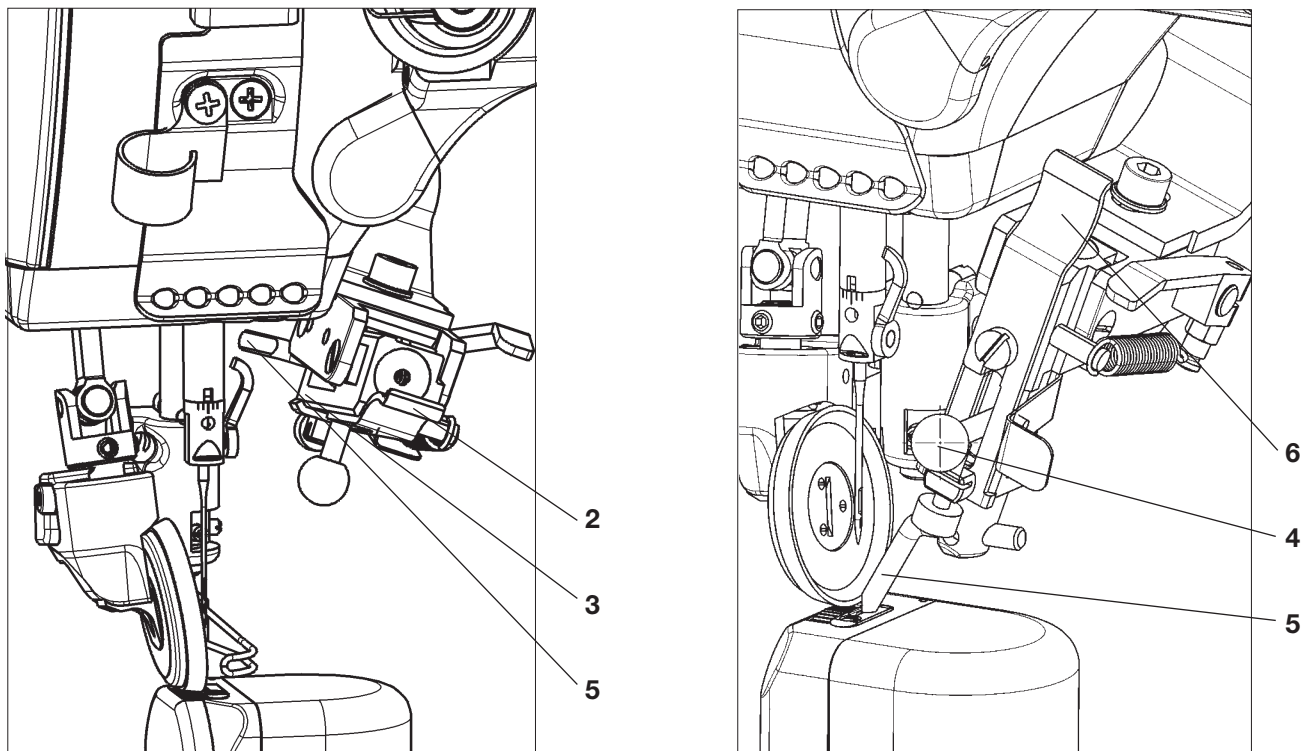
6.13.2 Using the key



Key	Function
1	Manual sewing backward The machine sews backward stitches as long as the key is being pushed.
2	Needle positioning to the upper or lower position By parameter F-242 (Efka DC1550 DA321G) the following key functions can be defined: 1 = needle up/down 2 = needle up 3 = one stitch (factory setting is 1)
3	Reduced stitch length (option) By pressing the key the stitch length set advance can be changed in half value, a stitch will be sewn and the machine will switch over to its original (greater) stitch length.

6.14 Material guide

6.14.1 Material guide switch on/off



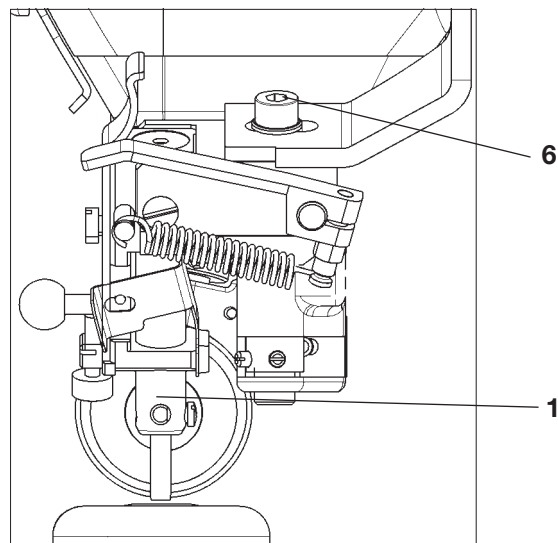
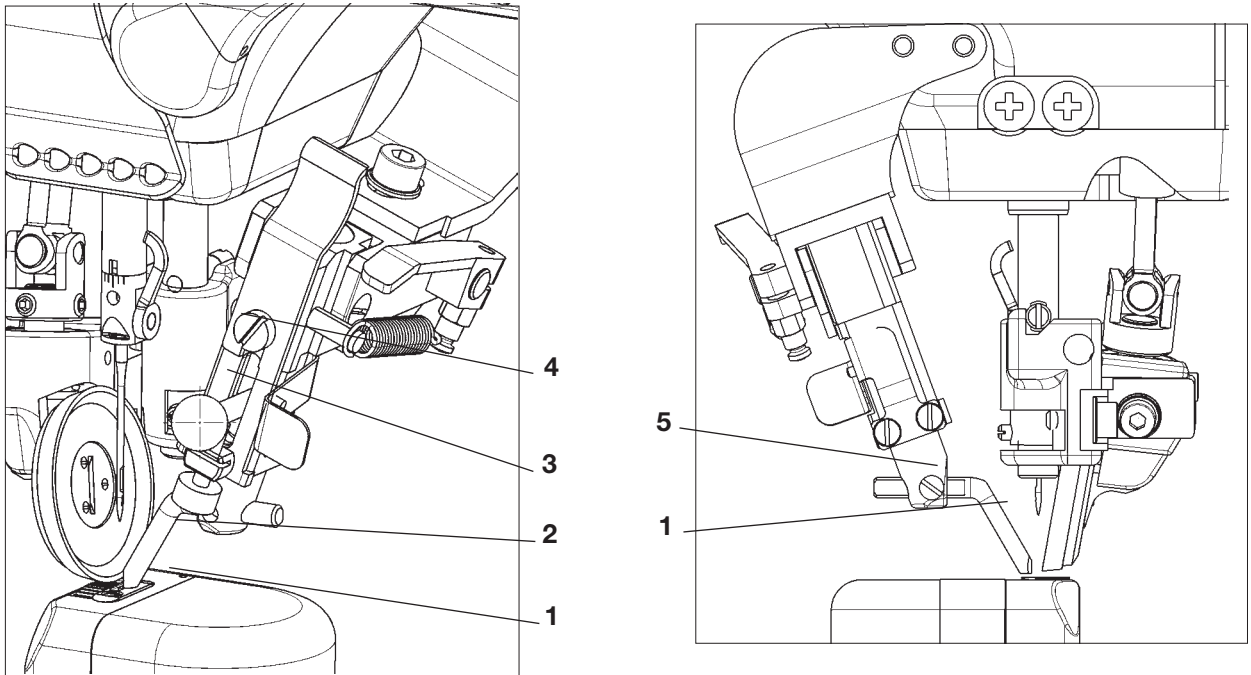
Switch on

- Put the guide in a working position by pushing the lever 2 upwards or by pulling the guide 3 downwards.

Switch off

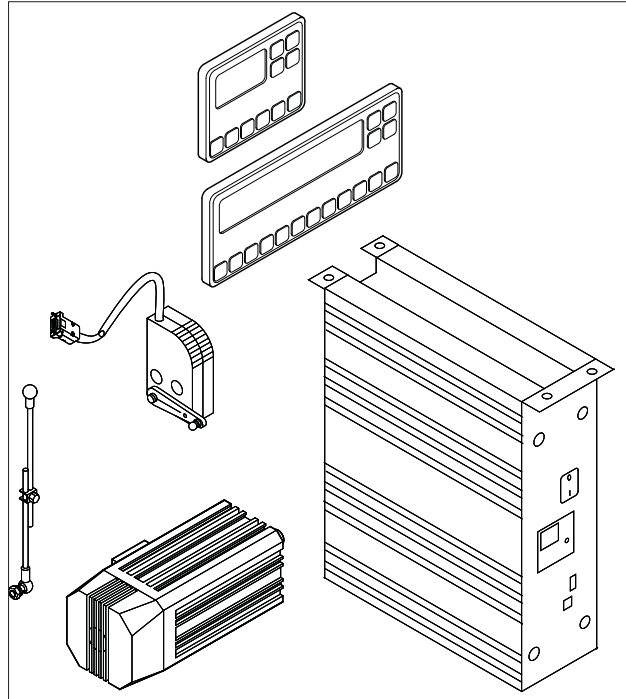
- Shift the ball 4 upwards and to the left. The guide element 5 lifts in a setting position. When returning the guide element 5 in the working position, proceed in a reverse order.
- Or push the lever 6 downwards and the spring will turn the whole guide in the setting position. It is at the user's discretion, which of the material guide switch on/off options described will be chosen.

6.14.2 Material guide adjustment



- Adjust the guide element 1 height with a bolt 2. The guide element is lifted, when tightening the bolt, and vice versa. If the bolt 2 strikes the end of the adjustment range, the latter can be widened by the bolt 3, loosening the plate 4 shifting to a different position and its repeated fixing.
- Adjust the lateral position of the guide element 1 by the bolt loosening 5, the element shifting, and its repeated fixing.
- Adjust the guide position in the sewing direction after loosening the bolt 6. The rear edge of the guide element 1 should be located in the needle hole center. After adjustment, tighten the bolt 6.

7 Positioning drive Efka DC1550/DA321G



DA321G control contains all necessary operating elements to switch the functions over and to set the parameters. The operation is possible without the control panel, it is not possible only to program the sewing.

It is possible to connect the control panel V810 and V820, which are available as an attachment. It is possible to program the sewing by the control panel V820.

A detailed description of the control is included in the operating instructions of the motor manufacturer of Efka DC1550 – DA321G drive (see also www.efka.net).

8 Sewing with machine with positioning motor (drive)

8.1 Machine automatic functions

The machine has the below functions which are automatically performed during the seam sewing depending on:

- Pre-selection
- Pedal position (according to the machine operator's selection)
- Working phase of seam sewing

Automatic function	Pre-selection
Needle positioning	<ul style="list-style-type: none">• Needle down at machine stopping in seam• Needle up at machine stopping in seam <p>Note: after the seam * finishing the machine stops always with the needle up.</p>
Bartacks	<ul style="list-style-type: none">• Standard• Decorative**
Initial bartack	<ul style="list-style-type: none">• Single• Double• Standard bartack stitch number forwards• Decorative bartack stitch number forwards• Standard bartack stitch number backwards• Decorative bartack stitch number backwards
End bartack	<ul style="list-style-type: none">• Single• Double• Standard bartack stitch number backwards• Decorative bartack stitch number backwards• Standard bartack stitch number forwards• Decorative bartack stitch number forwards
Thread trimming	<ul style="list-style-type: none">• ON• OFF
Automatic foot lifting	<ul style="list-style-type: none">• Foot lowered at stopping in seam• Foot lifted at stopping in seam

* The seam is finished after the pedal shifting to the position -2 (if the thread trimming is pre-selected, then after the trimming).

** The decorative bartack is characterized by the fact that the needle sews stitch in stitch in the previous seam at the bartacking. At the sewing direction change the machine stops for a moment.

Automatic function codes are described in the attached drive manufacturer's Instruction Leaflet.

The drive manufacturer's operating instructions for Efka DA321G drive is available on website www.efka.net. Some automatic functions can be preset by means of push buttons. Their description is included in the booklet "Efka operating instructions".

Other automatic functions can be preset through the drive parameter change. Every function like this has its parameter number. It is possible then to preset the parameter value for the particular parameter number. The parameter change is described in the booklet "Efka operating instructions".

List of parameters for the operator level - see "Efka List of Parameters".

8.2 Example of machine operation at sewing

Pre-selection:

- Needle down at machine stopping in seam
- Standard bartacks
- Double initial bartack
- Double end bartack
- Thread trimming on
- Foot lowered at stopping in seam
- Foot lifted at seam finishing

Operation	Sewing procedure
	Machine stopped. Needle in upper position. Foot lifted.
Insert the material.	
Pedal treading to position +1.	Foot lowering.
Pedal release to position 0.	Foot lifting.
Material position correction.	
Pedal treading to position +1.	Foot lowering.
Pedal treading to position +3.	Sewing of standard double bartack (at speed pre-selected by producer and subsequent sewing at speed corresponding with third speed level +3.
Pedal release to position 0.	Machine stopping with needle down.
Pedal treading to position -1.	Foot lifting.
Turning of sewing material on needle.	
Pedal treading to position +5.	Foot lowering and subsequent machine running to fifth speed grade of sewing.
Pedal treading to position -2.	Speed reduction. Sewing of standard double bartack. Thread trimming under throat plate and machine stopping with needle up. Foot lifting.
Pedal release.	(Foot remains lifted).
Remove the material.	

9 Maintenance

9.1 Cleaning and checking

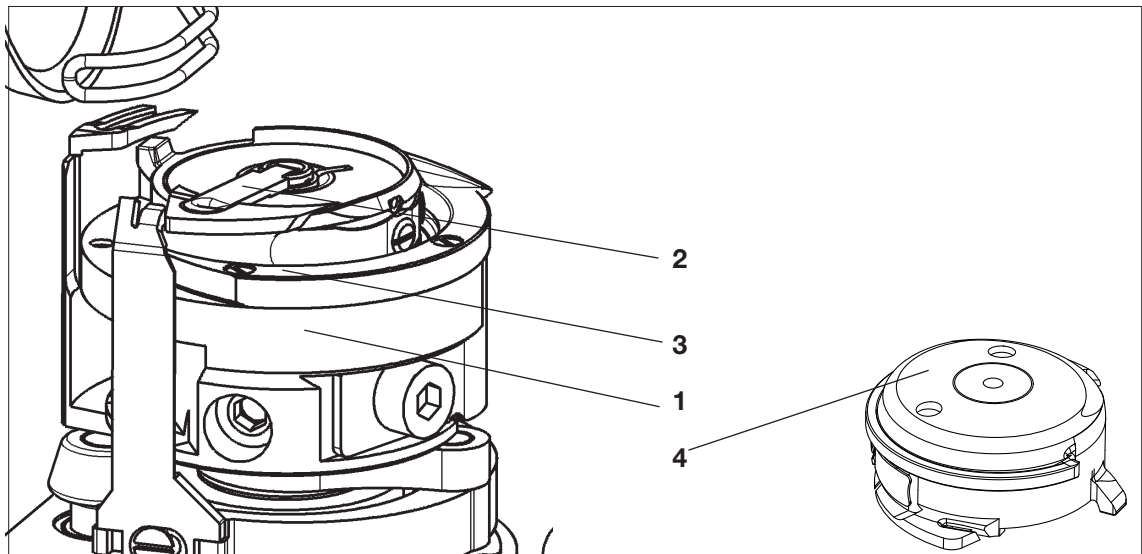


Caution! Risk of injury!

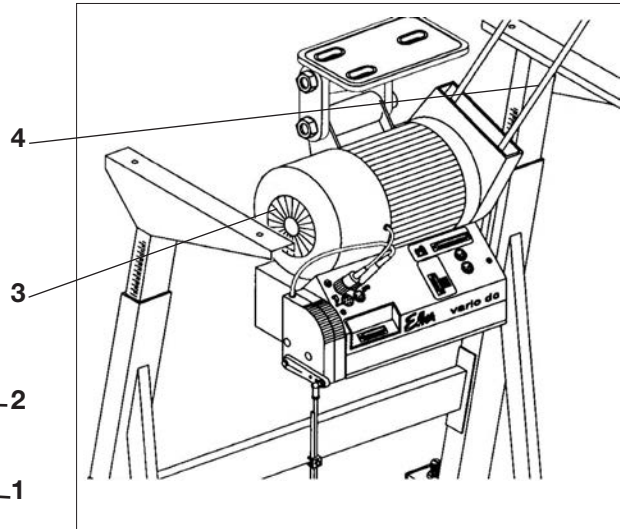
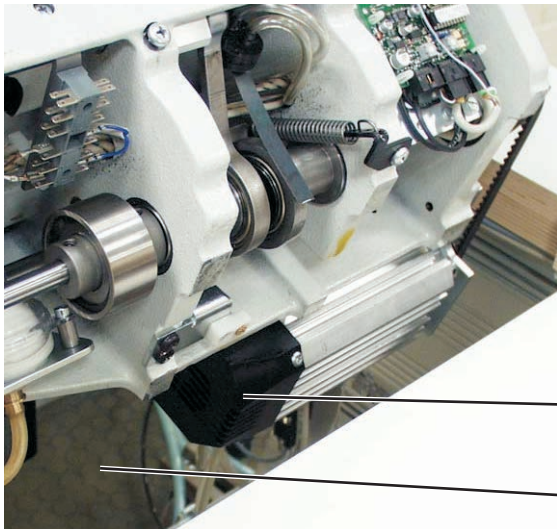
Turn off the main switch.
Maintenance may only be carried out with the machine switched off!

Caution!

Maintenance work must be carried out no less frequently than at the intervals given in the tables (see "operating hours" column).



Maintenance work to be carried out	Explanation	Operating hours
Machine head - Remove lint, pieces of thread (e.g. with an air blow gun)	Places in special need of cleaning: Area under the throat plate and feeding roller, top roller and its surrounding. - Area around the hook 1 - Bobbin housing 2 - Thread trimmer - Area around the needle	8
- Remove lint, pieces of thread (e.g. with an air blow gun)	Remove the throat plate. Remove the hook plunger ring 3. Remove the bobbin housing 2 from the hook. Clean the inner area of the hook. Clean the bobbin housing - particularly look for glue remainder on the surface 4.	20
- Check the hook	Check the clearance on the track between bobbin housing 6 and the hook 1.	500



Maintenance work to be carried out	Explanation	Operating hours
- Clean the oil sump	Clean the oil sump 1 of dirt and contaminated oil (you may use a special vacuum cleaner).	20
- Clean fan grille	Remove lint and pieces of thread from air-intake openings 2 and 3 (e.g. with an air blow gun).	20
- Check condition and tension of V-belt	Check the condition and the tension of the V-belt 4 (see service instructions).	500



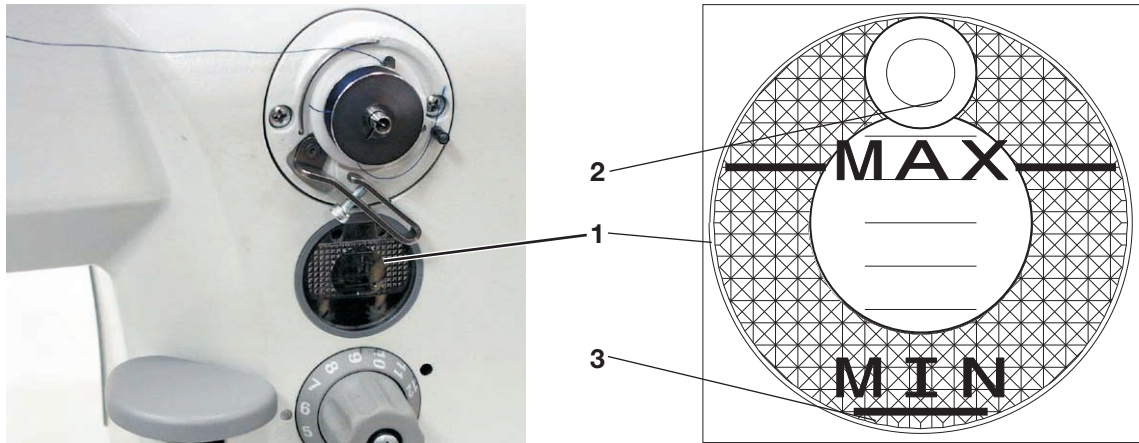
Notice

Damages to the paintwork due to use of cleansers containing solvents

Cleaning agent containing solvents are aggressive and damaging the machine's paintwork.

Use solvent-free cleaning agent when cleaning the machine.

9.2 Lubrication



Caution! Risk of injury!

Oil can cause skin eruptions.
Avoid protracted contact with the skin.
In the event of contact, thoroughly wash the affected area.



Caution!

The handling and disposal of mineral oils is subject to legal regulation.
Deliver used oil to an authorised collection point.
Protect your environment.
Take care not to spill oil.

To lubricate the special sewing machine use only **DA 10** lubricating oil or an equivalent oil of the following specification:

- Viscosity at 40° C: 10 mm²/s
- Flashpoint: 150° C

DA 10 is available from **DÜRKOPP ADLER AG** retail outlets under the following part numbers:

250-ml container:	9047 000011
1-litre container:	9047 000012
2-litre container:	9047 000013
5-litre container:	9047 000014

All points of the sewing machine head lubricated with oil are supplied from the central tank 1.

- If the oil volume drops to the level 3, supply the oil through the hole 2 to the “MAX” level.
- Check the oil level every day!



Caution!

The oil may be supplied only into the central tank or in the hook path.
The other points must not be lubricated separately, so that the oil does not penetrate to the spots, which must not be lubricated.

9.3 Repair

When the machine is damaged or parts are worn please contact:

DÜRKOPP ADLER AG

Potsdamer Str. 190

D-33719 Bielefeld

Phone: +49 (0) 180 5 383 756

Fax: +49 (0) 521 925 2594

E-mail: service@duerkopp-adler.com

Internet: www.duerkopp-adler.com

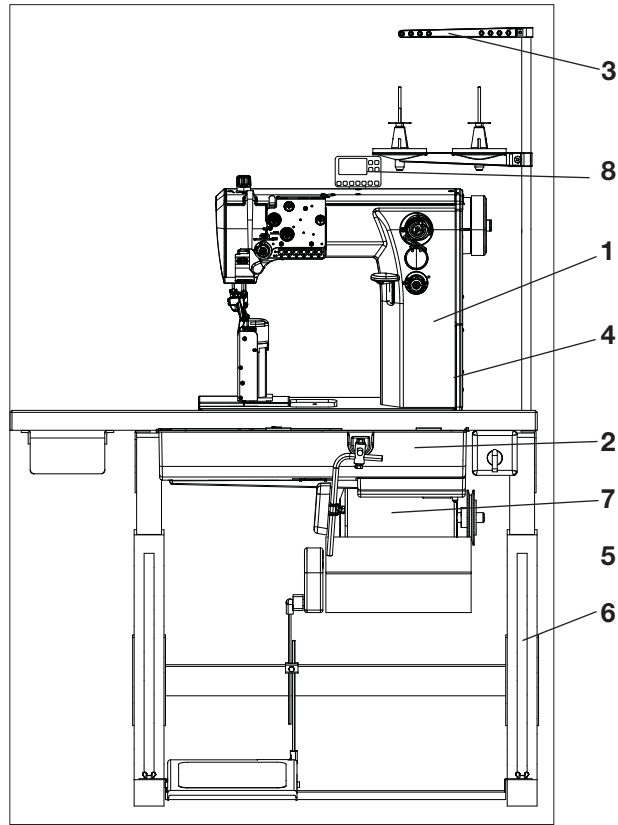
Part 2: Installation Instructions Class 884 – Original Instructions

1	Scope of delivery	3
2	Transport packing of assembled machine	4
3	Assembling the stand	
3.1	Assembling the stand components	4
3.2	Assembling the table top	5
3.2.1	Assembling the table top in the machine with the motor on the stand table top	5
3.2.2	Assembling the table top with the motor on the machine head (direct drive)	6
3.3	Setting the working height	7
4	Assembling the machine head	
4.1	Insertion of machine head in the stand	8
4.2	Fitting the machine head drive with a V-belt	9
4.3	Fitting the belt guards	10
4.4	Adjustment of pedal position	11
4.5	Fitting the knee lever and oil pump pipe	12
4.6	Fitting the proximity switch	13
4.7	Fitting the connecting cable, control panel and sewing diode lamp on the machine head	14
5	Electric connection of machine	
5.1	Electric connection of machine to low voltage network	15
5.1.1	Sewing light transformer connection to network voltage	16
5.2.	Grounding	17
5.3	Connection of head to EFKA DC1550/DA321G drive	18
6	Adjustment of Efka positioning motor (drive)	
6.1	Setting of positioning motor (drive) parameters	19
6.1.1	Setting of parameters by the “autoselect” function	19
6.1.2	Setting of Efka drive parameters specific for class 884	19
6.1.3	Values of parameters specific for this class 884.	20
6.2	Setting of machine positioning	20
6.2.1	Position definition	20
6.2.2	Setting the machine positioning for DC1550/DA321G drive	20
6.2.3	Checking of set positions	21
6.3	Master reset	21
7	Lubrication	21
8	Sewing test	21

1 Scope of delivery

The purchaser can order a complete machine, or some components only. Prior to setting up, please check that all the required parts are present.

This description refers to a special sewing machine, of which all individual components can completely be delivered by **Dürkopp Adler AG**. A complete supply of the disassembled machine depends on the selected drive and consists of the following components:



Machine with the motor (drive) on the table top	Machine with the direct drive on the machine head
Obligatory components:	
Machine head 1	Machine head 1
Accessories (includes oil tank 2, yarn stand 3, tools and other items)	Accessories (includes oil tank 2, yarn stand 3, tools and other items)
Kit for motor (includes belt guard 4, drive belt pulley and other parts dependent on drive)	Kit with motor (includes direct drive 5, belt guard 4 and other parts)
Optional components:	
Stand 6	Stand 6
Drive 7	Control panel 8
Control panel 8	

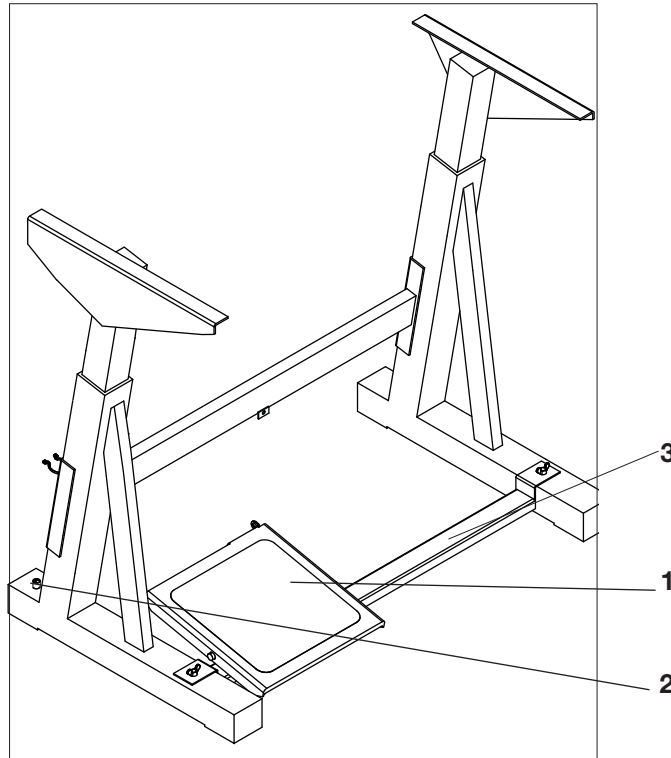
2 Transport packing of assembled machine

If the machine is supplied in assembled condition, the following transport packing must be removed:

- Safety straps and wooden battens on the machine head and stand.
- Safety blocks and straps on the sewing drive.

3 Assembling the stand

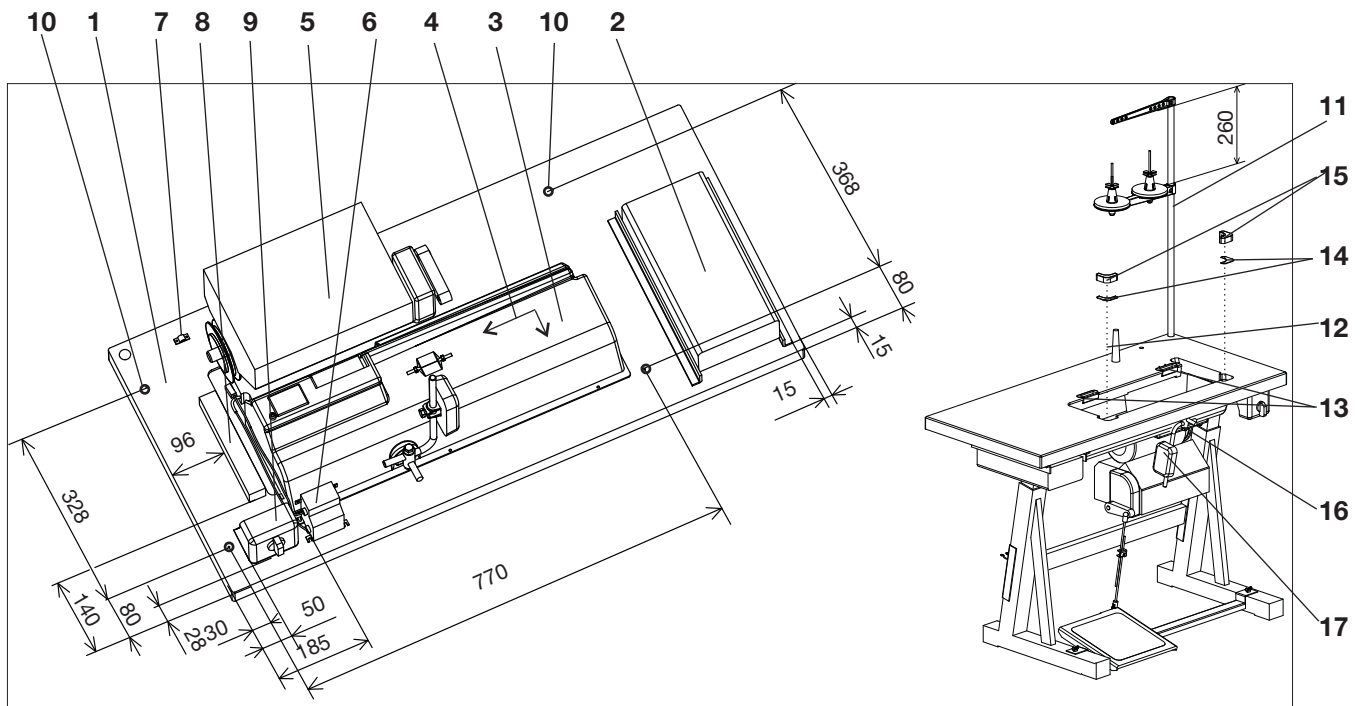
3.1 Assembling the stand components



- Mount the frame according to the picture. Mount the pedal 1 provisionally. Its position will be adjusted after the whole machine is complete.
- Adjust the screw 2 so that the stand is stable.

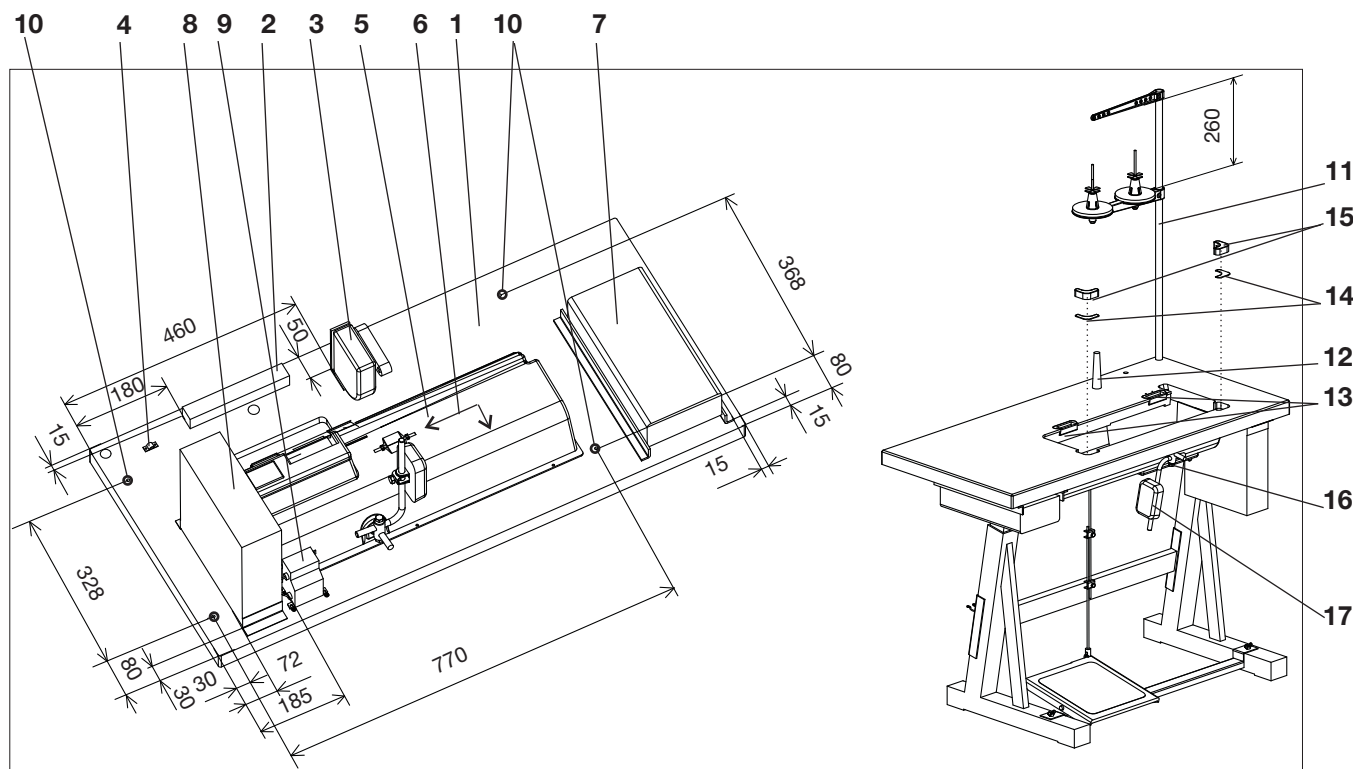
3.2 Assembling the table top

3.2.1 Assembling the table top in the machine with the motor on the table top



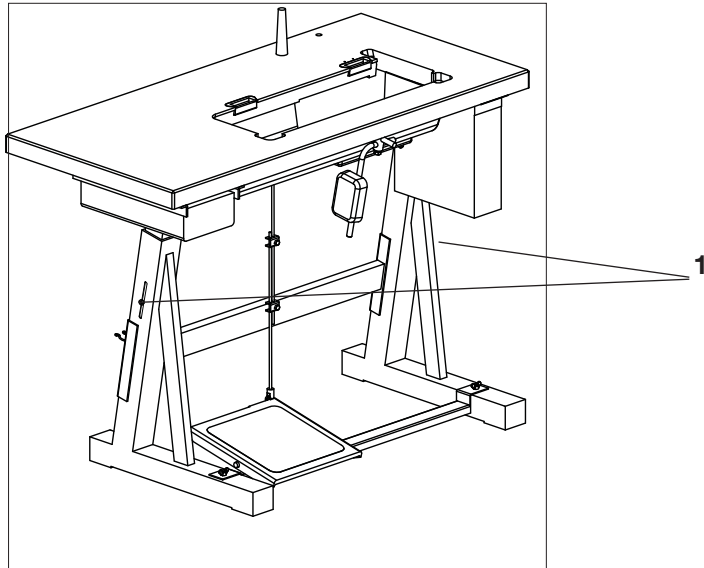
- Turn the table top 1 upside down.
- Screw the drawer 2.
- Put the oil sump 3 on the recess in the table top. Slide it in the arrow direction 4 till the relevant protrusions of the oil sump are seated on the recess contour. Screw the oil sump.
- Screw the drive 5.
- Screw the sewing lamp transformer 6 – if there is any.
- Screw the cable clip 7.
- Screw the electric cable channel 8.
- Screw the switch 9.
- Mount electric cables according to the instructions in chapter 5.
- Pre-bore the holes 10. Attach the table plate to the stand with woodscrews (B8 x 35). Then turn the stand to normal position.
- Insert the yarn stand 11 in the hole in the table plate and secure it with the nuts and washers. Fit and align the yarn reel and unwinding holders.
- Insert the machine head support pin 12.
- Place the hinge bottoms 13 for the machine head into the cutout of the table plate 1 and tighten the screws.
- Insert the wedges 14 in the recess corners.
- Insert the rubber cushions 15.
- Remove the blinds from the bushing 16.
- Remove the knee lever 17 and guide through the opening, as shown in the illustration.

3.2.2 Assembling the table top with the motor on the machine head (direct drive)



- Turn the table top 1 upside down.
- Screw the electric cable channel 2.
- Screw the pedal position sensor 3.
- Screw the electric cable clip 4.
- Put the oil sump on 5 and slide it in the arrow direction 6 till the relevant protrusions of the oil sump are seated on the recess contour. Screw the oil sump.
- Screw the drawer 7.
- Pre-bore the holes for wood screws and screw the drive control box 8.
- Screw the sewing lamp transformer 9 – if there is any.
- Mount electric cables according to the instructions in chapter 5.
- Pre-bore the holes 10. Attach the table plate to the stand with woodscrews (B8 x 35). Then turn the stand to normal position..
- Insert the yarn stand 11 in the hole in the table plate and secure it with the nuts and washers. Fit and align the yarn reel and unwinding holders.
- Insert the machine head support pin 12.
- Place the hinge bottoms 13 for the machine head into the cutout of the table plate 1 and tighten the screws.
- Insert the wedges 14 in the recess corners.
- Insert the rubber cushions 15.
- Remove the blind from the bushing 16.
- Remove the knee lever 17 and guide through the opening, as shown in the illustration.

3.3 Setting the working height



- The stand height is adjustable between 750 and 900 mm.
- Loosen the screws 1.
- Set the required table top height and make sure that it is identical on both sides. To do that, use the scale on the stand feet. Set the stand height so that it corresponds with the operator's body proportions.
- Tighten the screws 1.

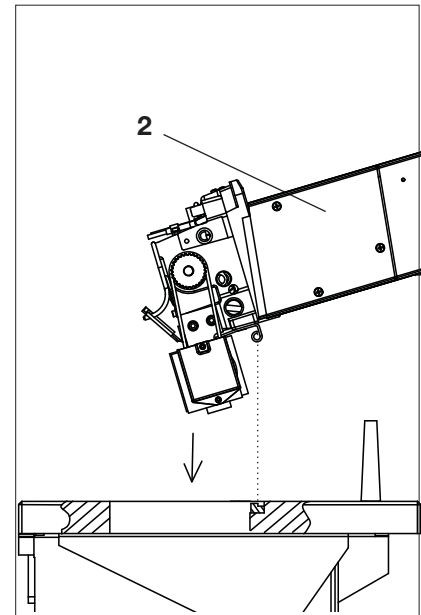
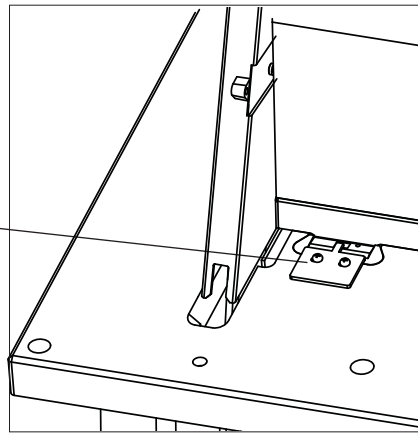
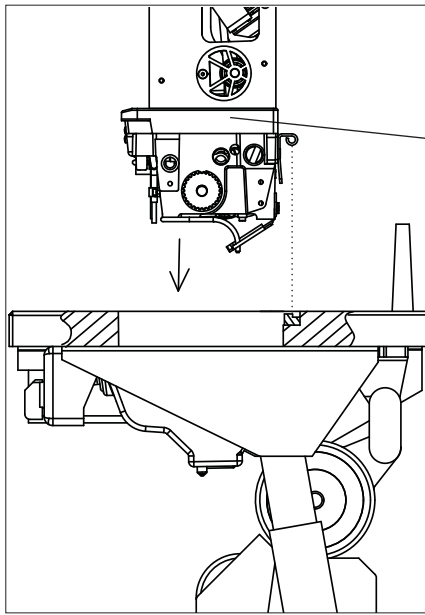


Caution! Risk of injury!

Failure to adjust the stand height to the operator's body proportions can cause damage to the operator's locomotion system.

4 Assembling the machine head

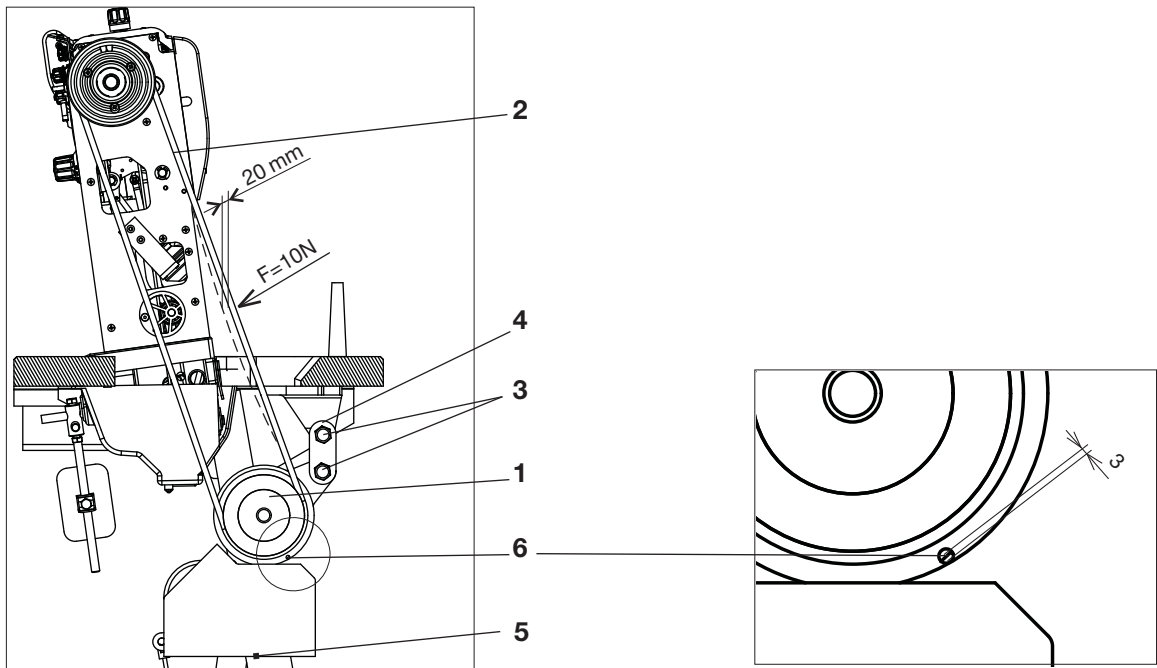
4.1 Insertion of machine head in the stand



- If the sewing machine is equipped with a motor on the table top, insert the machine head 1 vertically in the recess in the table top.
- If the sewing machine is equipped with a motor (drive) on the machine head, tilt the machine head 2 and insert it in the table top recess.
- After the head insertion, screw the locking plate 3 immediately to secure the machine head against falling out at its tilting. The locking plate is part of the machine head accessories.

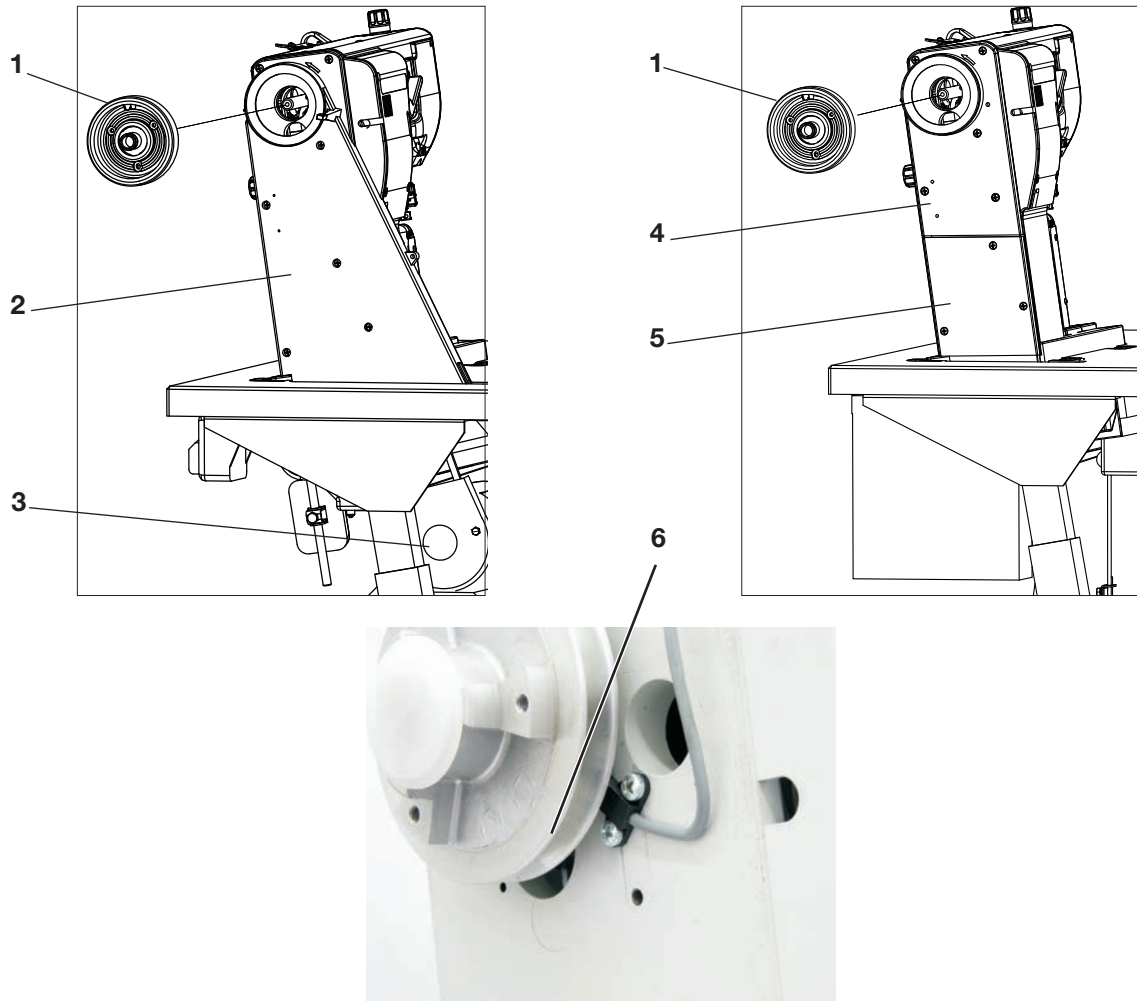
4.2 Fitting the machine head drive with a V-belt

This paragraph applies only to the machines with the motor on the table top.



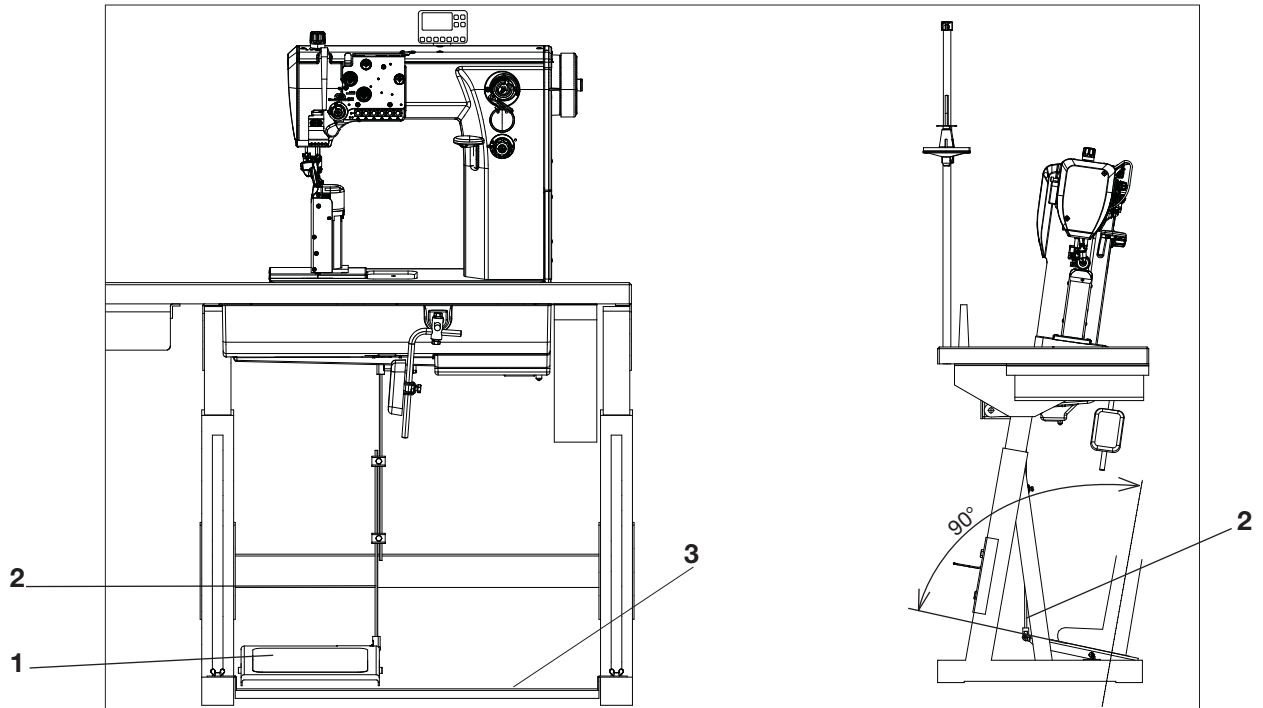
- Mount the V-belt pulley 1 and the V-belt 2. Both items are included in the accessories.
- Loosen the screws 3 and stretch the belt. The connecting rod 4 should be vertical approximately. The surface 5 horizontal approximately.
- Check the belt tension by force $F = 10\text{ N}$ ($\sim 1\text{ kg}$). The belt is expected to bend by 20 mm approximately.
- Adjust the stop 6 position protecting the belt against falling out at tilting the machine.

4.3 Fitting the belt guards



- Disassembly the hand wheel 1.
- In the machines with the motor on the table top mount the guard 2 on the machine head (the guard is included in of the motor part set) and mount the guard 3 on the motor (the guard is included in the motor package).
- In the machines with the motor on the sewing head and with 1,55:1 toothed belt driving gear, mount the proximity switch 6. It is included in the "motor parts set".
- In all machines with the motor on the machine head mount the guards 4 and 5 (they are included in of the motor part set).
- Mount the hand wheel 1. Doing this, observe the correct angle position: if the needle is in the upper dead point, there should be the 0° value on the hand wheel scale.

4.4 Adjustment of pedal position



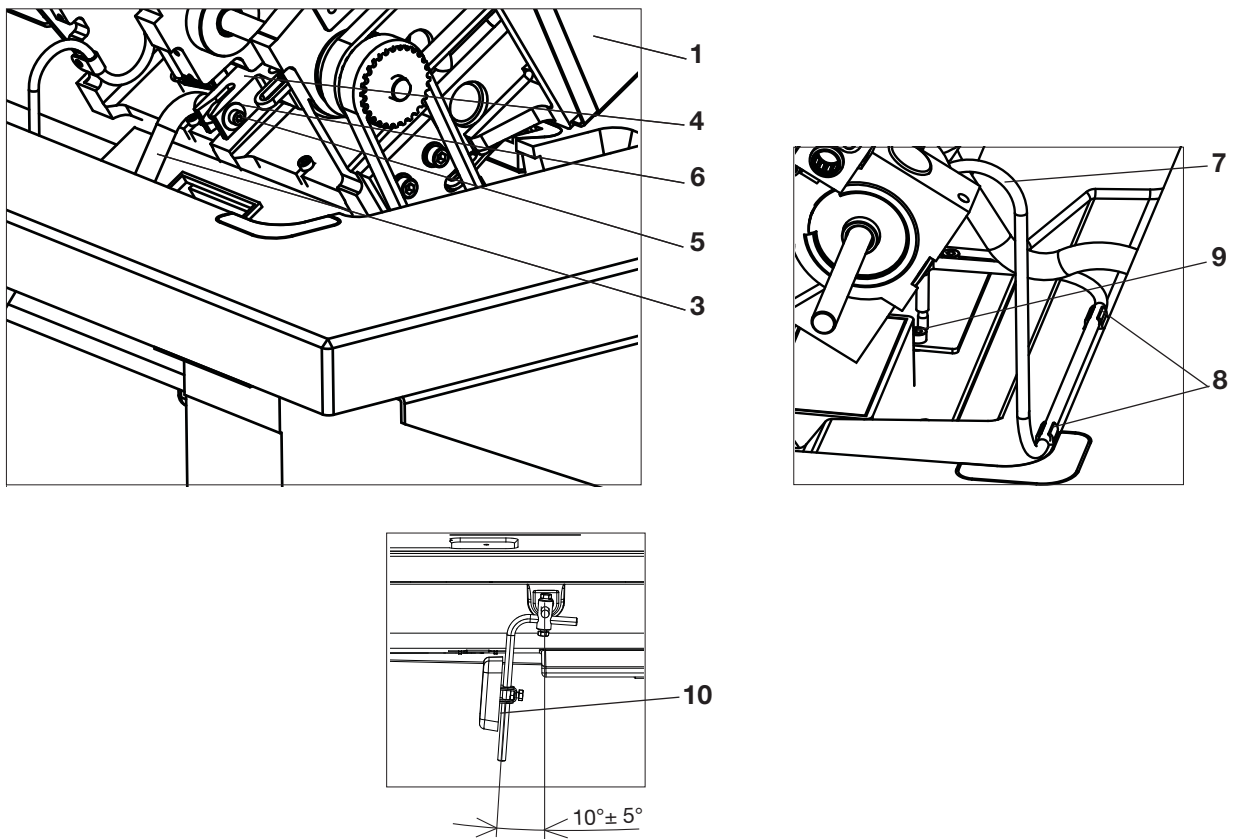
- Adjust the side position of the pedal 1 so that its center lies on the needle axis.
- Adjust the draw rod 2 so that the foot axis is perpendicular to the pedal surface.



Caution! Risk of injury!

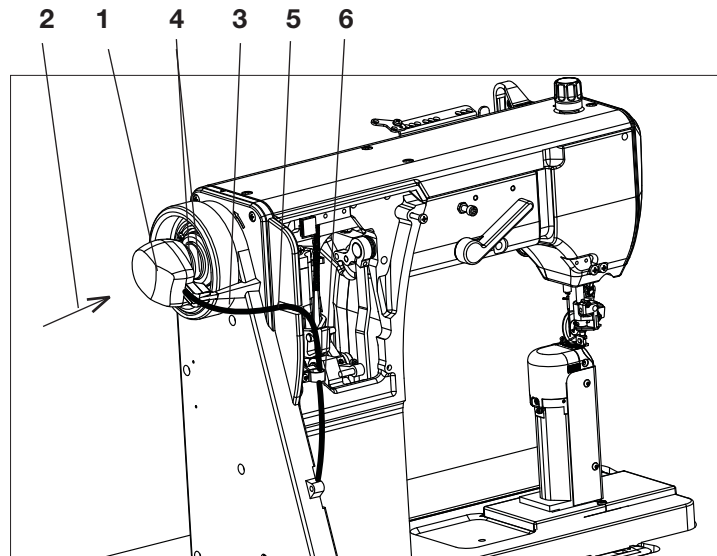
Failure to keep the determined pedal position can cause damage to the operator's locomotion system.

4.5 Fitting the knee lever and oil pump pipe



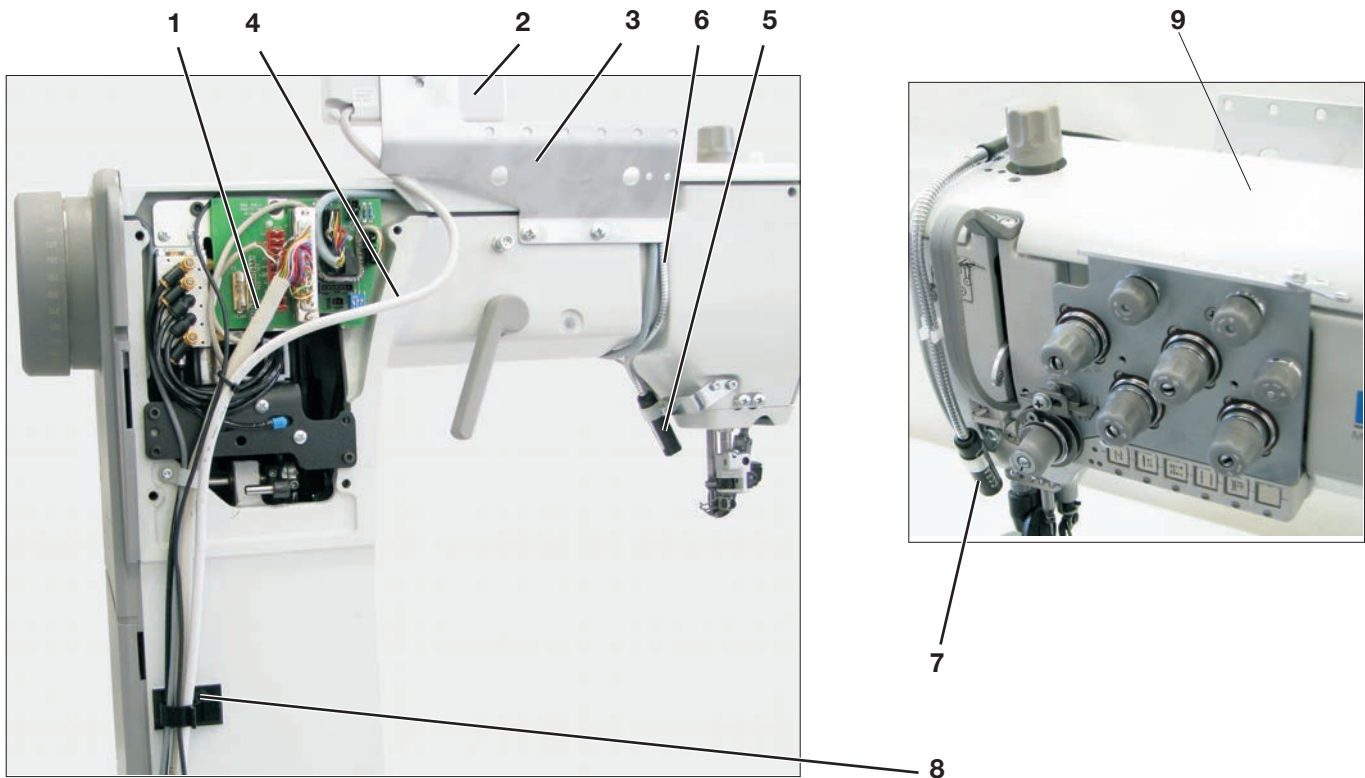
- Lift the sewing foot with the hand lever.
- Tilt the machine head 1.
- Slide the shaft 3 in the lever 4.
- Screw the screw 5 with the washer 6 in the shaft 3.
- Attach the pipe 7 with the clips 8 and install the suction basket 9.
- Tilt the machine head and adjust the knee lever 10 according to the picture.
- Adjust the knee pad.

4.6 Fitting the proximity switch



- The proximity switch 1 is mounted to certain positioning motors (drives) only. In that case it is part of the drive supply.
- Slide the proximity switch 1 in the arrow 2 direction on the hand wheel shaft so that the carrier pin 3 fits in the proximity switch groove.
- Attach the proximity switch with two screws 4.
- Remove the back cover and pull the proximity switch cable 5 through according to the picture.
- Attach the cable with a clip 6.

4.7 Fitting the connecting cable, control panel and sewing diode lamp on the machine head



- The connecting cable 1 is supplied with every machine with the positioning motor (drive).
- The control panel 2 had to be ordered separately (optional equipment). When ordering a control panel, a bracket 3 is always supplied together with it.
- The sewing lamp LED 5 is an optional equipment. Two types of brackets are supplied together with it to enable the installation of the lamp in two positions. Position 5 is the basic one. Position 7 should be used if a guide for sewing material is mounted on the machine.
- Dismantle the upper cover and back cover of the machine head.
- Install the connecting cable with the connector 1 according to the picture.
- Install the control panel 2 with the bracket 3 and install the cable 4 according to the picture.
- Mount the sewing lamp 5 and install the cable 6 according to the picture.
- Push the cables through the table top and attach them with a self-sticking clip 8.

5 Electrical connection

The machine drive is supplied from the low voltage network.



Caution!

All work on the electrical equipment of this special sewing machine may only be carried out by qualified electricians or other appropriately trained persons.

The mains plug must be removed.!

5.1 Electric connection of machine to low voltage network

According to the selected type the machine drive has a one-phase or three-phase supply. If the drive has the three-phase supply, it has an asynchronous motor. In that case it is necessary to adjust the connection of the coils in the motor terminal board (star or triangle) to the voltage of the local electric network.



Caution!

The mains voltage must agree with the rated voltage specified on the model-identification plate.

The low voltage circuit includes the following items:

- Supply plug
- Main switch (with the drive on the machine head the main switch is incorporated in the drive)
- Drive
- Sewing lamp transformer (option)
- Cables

Part of these items is included in the drive package. The other part is included in the package of the motor part set obligatorily supplied with the machine head. The division of the items can be seen in the parts list.

The low voltage circuit connection will be made according to the wiring diagram, which is included in the package of the motor part set.



Danger! Risk of injury!

The control unit is intended to be connected to an earthed alternating current network only.

It must only be connected using a multi-pin plug with a protective contact.

5.1.1 Sewing lamp transformer connection to network voltage



Danger! Hazardous Voltage!

The sewing-light transformer is directly connected to the mains. It is therefore live even when the main switch is switched off. The mains plug must be removed before carrying out any work on the sewing-light transformer, e.g. changing the fuse.

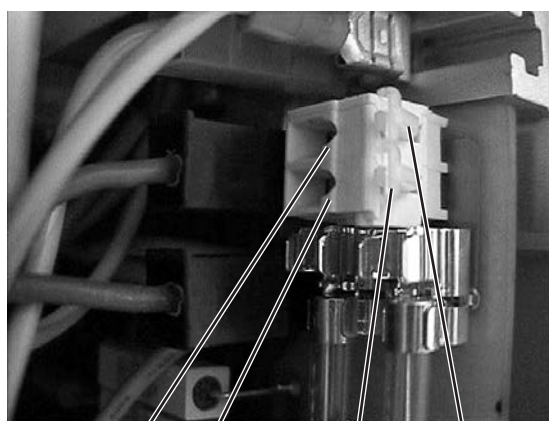
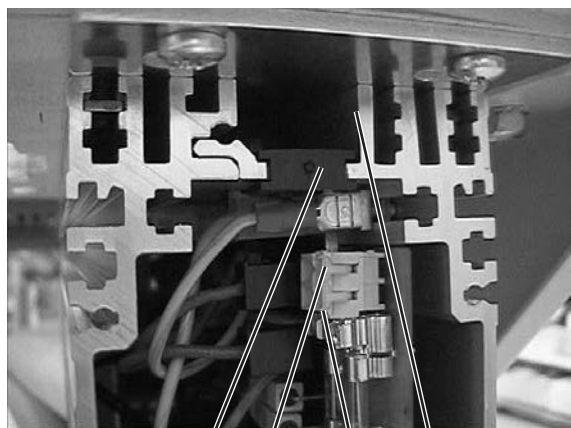
A. The machine is equipped with the following drives:

FIR 1147 - F554.3

FIR 1148 - F752.3

- Pull the network plug from the electric socket.
- Conduct the transformer cable to the main switch.
- Connect the transformer cable according to the wiring schedule, which is included in the delivery of the set of parts supplied with the machine head.
- Stick a self-sticking label with safety instructions on the front side of the main switch.

B. The machine is equipped with the Efka DC1550/DA321G drive

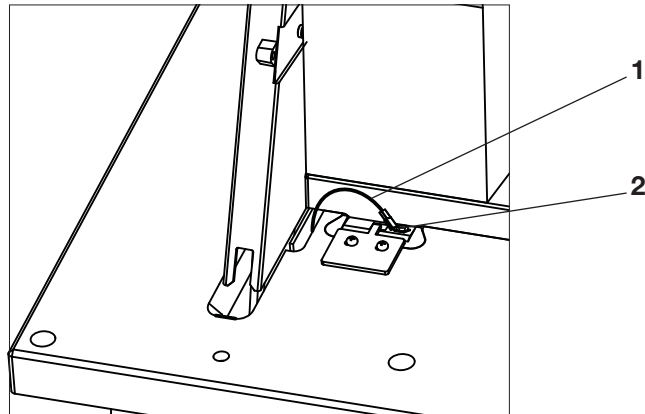


2 6 5 1

6 5 4 3

- Pull the mains plug from the power outlet.
- Screw out 4 screws on the front panel of the control box.
- Dismantle the front panel.
- Pull the transformer cable through the channel 1 in the control box.
- Remove the black rubber bushing 2.
- Pierce the bushing with a screwdriver.
- Pull the sewing lamp transformer cable through the arisen hole.
- Insert the rubber bushing back again.
- Press the clip openers 3 and 4 with a small screwdriver slightly until the clips 5 and 6 open.
- Connect the blue conductor to the terminal 6 and the brown conductor to the terminal 5.
- Screw the front panel back again.
- Fix the light transformer cable against pulling off (e.g. with a fastening band to a supply mains cable).

5.2 Grounding



- The grounding conductor 1 is included in the accessory package of the machine head.
- Connect the conductor 1 to the plug 2 and pull its opposite end under the table top.
- Screw the opposite end of the grounding conductor to the relevant grounding point of the drive (indicated H).
- Attach the conductor with a clip on the bottom side of the table top.



Caution!

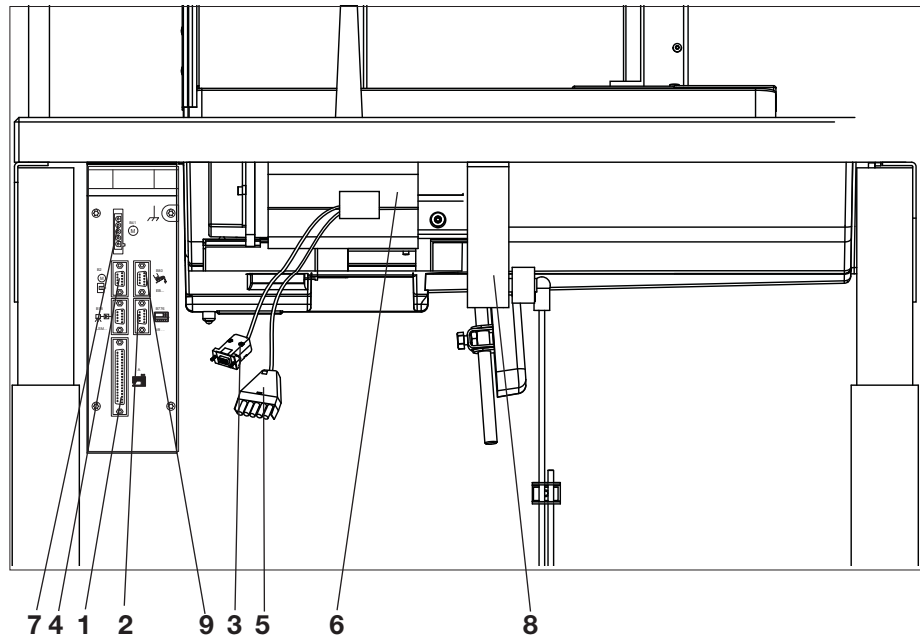
Make sure that the grounding conductor does not touch the driving V-belt (if there is any).

Note:

If the machine has the direct drive with the motor drive on the machine head, it is not necessary to ground the head. In that case the head is grounded with the motor on the head.

5.3 Connection of the head to EFKA DC1550/DA321G drive

Efka DC1550/DA321G direct drive is fixed directly on the machine head. The motor synchronizer is incorporated in the motor body and it is not located on the hand wheel (this applies, however, only for the 1:1 gear reduction motor – machine).



- Connect the machine head connecting cable to the connector 1.
- Connect the control panel to the connector 2.
- Connect connector 3 of the motor synchronizer 6 to connector 4.
- Connect the connector 5 of the motor 6 to the connector 7.
- Connect the pedal position sensor 8 to the connector 9.
- Connect hand wheel position in connector B18.

6 Adjustment of Efka positioning motor (drive)

The function of the positioning motor (drive) is defined by its program, drive parameter setting, and the machine stopping positions. If the machine is supplied in the disassembled condition, the drive setting must be carried out by the purchaser. If the sewing machine is supplied in assembled condition, the drive is already set by the sewing machine manufacturer.

6.1 Setting of positioning motor (drive) parameters

The setting of the drive parameters is carried out in two steps. In the first step, the parameters for the family of sewing machine class groups are set by the function "autoselect". In the second step, some of the set parameters are changed to be adjusted to the particular class.

6.1.1 Setting of parameters by the "autoselect" function

The drive control system is equipped with the "autoselect" device, which is able to identify what sort of the sewing machine was connected to the drive (with a connection cable). At the drive switching on, the value of the resistance of the resistor located inside the sewing machine head for this purpose is measured automatically. As a result of this, the required parameter values are set automatically. If the control system is not able to identify the valid resistance, the drive control will run with so-called safety operation functions only to avoid the sewing machine damage.

6.1.2 Setting of Efka drive parameters specific for class 884



Caution!

Change of the parameter value must be performed with consideration and in a responsible way. A false setting of the control may cause the machine damage!



Warning!

By the so-called master-reset (see chapter 6.3) it is possible to reset all parameter values back to the preset values again.

For a detailed description of the various parameters of the control unit, please consult the enclosed current issue of the instructions of the motor manufacturer (see also www.efka.net).

6.1.3 Values of parameters specific for this class 884

Parameter change for machines with gear rate of 28/28 teeth

Parameter	Original value	New value	Parameter description
290*	0	3	Class of the machine
111	-	-	Max. sewing speed
170	-	-	Reference position (see 6.2.2)

Parameter change for machines with gear rate 18/28 teeth

Parameter	Original value	New value	Parameter description
290*	0	4	Class of the machine
111	-	-	Max. sewing speed
170	-	-	Reference position (see 6.2.2)

* The parameter must be entered first.

Attention: to set up parameters higher as 200, it is necessary to enter the control with a programmer's level (via code 3112).

6.2 Setting of machine positioning

6.2.1 Position definition

Position 1

The needle is down at the stopping in the seam. The angle 225° is on the hand wheel scale.

Position 2

The needle is up after trimming. The angle 35° is on the hand wheel scale.

6.2.2 Setting the machine positioning for DC1550/DA321G drive

For the needle and other elements positioning the incremental sensor located on the hand wheel is applied which gives 512 impulses (increments) /value in ° is displayed on the display/ and one additional impulse per rotation. In general, the particular position is defined by the angle between this position and the reference position. The angle is set by the corresponding parameter value (it is not, however, identical with the parameter value). The position parameter values have already been set – see chapter 6.1.3. The reference position still remains to be set.

The reference position is defined by the angle 105° on the hand wheel scale.

After dismantling, mounting, or replacement of the motor drive the reference position must be set again.

A reference position setting is described in the operating manual of the motor manufacturer Efka.

6.2.3 Checking of set positions

Position 1

- Switch on the network switch.
- Tread the pedal forwards shortly and release. The machine is stopped in the position 1 (see 6.2.1).
- Check the angle on the hand wheel scale ($225^\circ \pm 5^\circ$).

Position 2

- Tread the pedal forwards shortly at first and then entirely backwards with the heel until the machine stops. The machine stops in the position 2 (see 6.2.1).
- Check the angle on the hand wheel scale ($35^\circ \pm 5^\circ$).

6.3 Master reset

By means of the so-called master-reset all changed values are set back to the preset ones again.

How to proceed with the master reset is described in the instructions of the motor manufacturer Efka.

7 Lubrication

Before start, the machine must be lubricated properly (all wicks and felts are saturated with oil prior to delivery, please check the oil level prior starting).



Caution: danger of injury !

Oil can cause skin eruptions.
Avoid protracted contact with the skin.
In the event of contact, thoroughly wash the affected area.



CAUTION !

The handling and disposal of mineral oil is subject to legal regulation.
Deliver used oil to an authorised collection point.
Protect your environment.
Take care not to spill oil.

To lubricate the special sewing machine use only **DA 10** lubricating oil or an equivalent oil of the following specification:

- Viscosity at 40° C : 10 mm/s
- Flashpoint: 150 °C

DA 10 is available from **DÜRKOPP ADLER AG** retail outlets under the following part numbers:

250 ml container:	9047 000011
1-liter container:	9047 000012
2-liter container:	9047 000013
5-liter container:	9047 000014

8 Sewing test

This test can be carried out only after the machine is set completely.

- Thread in the bobbin-winder thread. (see operating instructions).
- Turn on the main switch.
- Lock the sewing foot in the lifted position (see operating instructions).
- Fill the bobbin at low speed.
- Turn off the main switch.
- Thread in needle thread and bobbin thread (see operating instructions).
- Select the material to be sewn.
- Carry out the sewing test first at low speed and then gradually increase the speed.
- Check whether the seams are of the desired quality.
- If the quality requirements are not met change the thread tensions (see operating instructions).

Notes:



Änderung der technischen Dokumentation
Modification of the technical documentation
Modification de la documentation technique
Modificación de la documentación técnica
Modificazione della documentazione tecnica

**DÜRKOPP
ADLER AG**

- (D) Die vorliegende Anleitung hat sich nach Drucklegung geändert.
Bitte tauschen Sie die beiliegenden Seiten in Ihrer Landessprache aus.
- (GB) The present instructions have changed since their last print out.
Please insert the present new pages for replacing the old ones.
- (F) Les présentes instructions ont subi un changement depuis leur dernière impression. Veuillez insérer les nouvelles pages pour remplacer les vieilles.
- (E) Las presentes instrucciones han subido una modificación desde su última impresión. Por consiguiente hay que insertar las nuevas páginas para reemplazar las viejas.
- (P) Las presentes instrucciones han subido una modificación desde su última impresión. Por consiguiente hay que insertar las nuevas páginas para reemplazar las viejas.
- (I) Le seguenti istruzioni hanno subito un modifica dopo la loro stampa.
Per favore inserite le nuove pagine sostituendo le vecchie.



MTYPE 887
Made by DÜRKOPP ADLER


Additional Instructions

Machines with Integrated Motor

1 About this manual

These additional instructions are supplementary to the manual of class 887 machines. They describe operation and functioning measures of machines with integrated motor that differ from machines without integrated motor.

The additional instructions do not constitute a self-contained document, but are only valid in combination with the respective instruction manual.

Make sure to read the  *instruction manual* before setting up and operating the machine.



By all means, pay heed to the general safety instructions of the instruction manual. Ignoring them can result in serious bodily injury and/or property damages.

2 Identification marks of machines with integrated motor

Machines of subclasses ending with *-M*, have the motor integrated in the machine post.

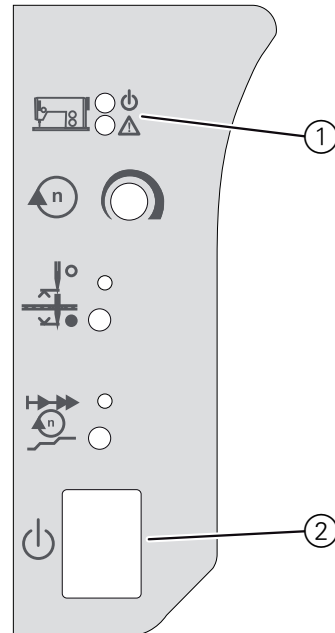
ECO-machines have the motor and the control unit integrated in the machine post.

CLASSIC-machines have the motor integrated in the machine post and the control unit underneath the table top.

3 ECO-machines

3.1 Operation

Fig. 1: Switching ECO-machines on and off



(1) - LEDs indicating the status

(2) - Main switch for the power supply

ECO-machines with integrated motor are switched on and off via the main switch (5) on the machine post.

Switching the machine on



1. Press the main switch (2).

↳ Of the two LED lights (1) indicating the status, the top one will be lit.

Switching the machine off




1. Press the main switch (2).

↳ Of the two LED lights (1) indicating the status, the top one will go out again.

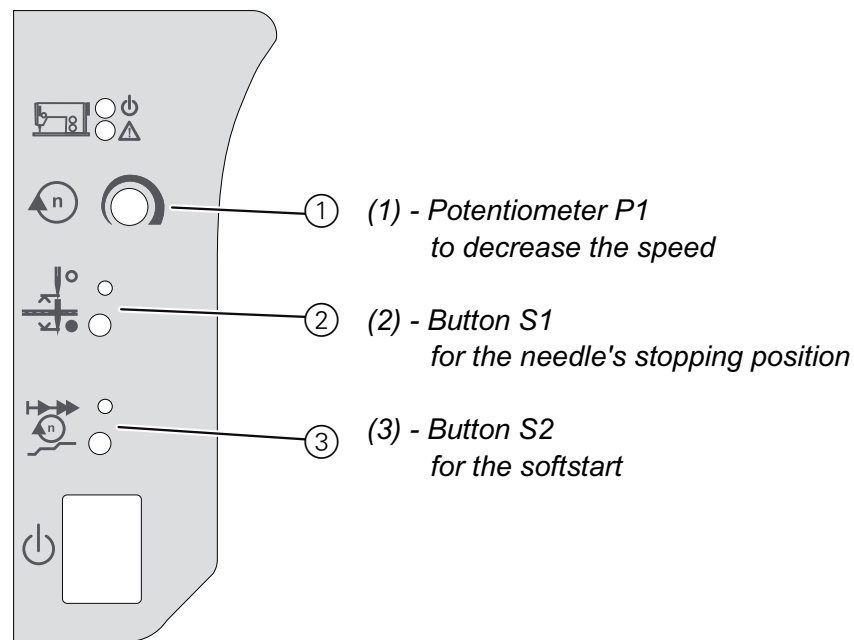


The bottom LED (1) serves as feedback when copying software updates.

The copying of software and the programming of the functions is described in the  *DAC ECO instruction manual*.

The following settings for the sewing are effectuated on the operating panel on the machine post.

Fig. 2: Operator settings with ECO-machines



Setting the maximum speed



1. Turn the potentiometer P1 (1).
 - To decrease the speed: Turn counter-clockwise.
 - To increase the speed: Turn clockwise



The initial value is the maximum speed defined for this machine class. It cannot be increased, only decreased.

↪ This setting will be memorized and will also be valid after restarting the machine.

Switching the needle's lifted position at sewing stop on / off



1. Press button S1 (2).
 - ↪ The LED above button S1 is lit:
At sewing stop the needle will be lifted to top position.
 2. Press button S1 (2) again.
 - ↪ The LED above button S1 goes out:
The needle's lifted position at sewing stop is switched off.
- ↪ The respective setting will be memorized and will also be valid after restarting the machine.

Switching the softstart on and off



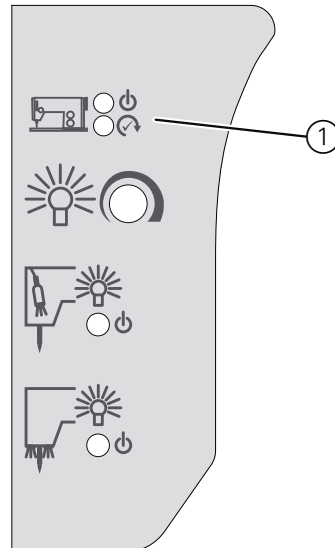
1. Press button S2 (3).
 - ↪ The LED above the button S2 is lit:
Sewing start with softstart.
 2. Press button S2 (3) again.
 - ↪ The LED above the button S2 goes out. Sewing start without softstart.
- ↪ The respective setting will be memorized and will also be valid after restarting the machine.

4 CLASSIC-machines

4.1 Operation

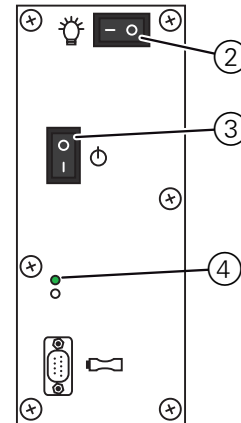
Fig. 3: Switching CLASSIC-machines on and off

Operating panel on the machine post




(1) - LEDs indicating the status

Control beneath the table top



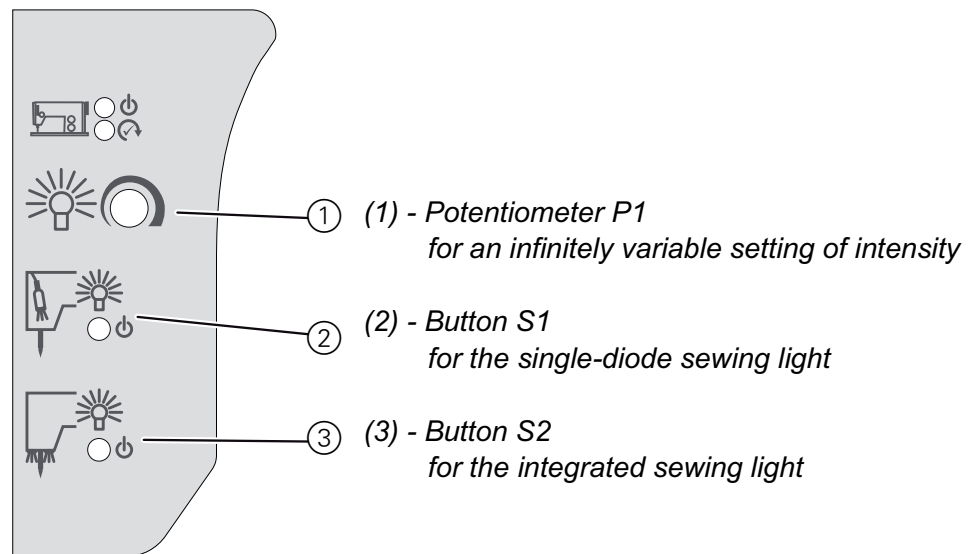
- (2) - Button for the sewing light
- (3) - Main switch for power supply
- (4) - Control light

CLASSIC-machines are switched on and off at the control underneath the table top ( *instruction manual*).

The two LEDs (1) on the machine post indicate the status of the power supply.

- Main switch (3) for the power supply is pressed:
 - ↳ Both status indicating LEDs (1) are lit:
 - The machine is ready for sewing and the sewing light is energized.
- Switch for the sewing light (2) is pressed:
 - ↳ Only the top one of the two status-indicating LEDs (1) is lit:
 - The sewing light energized, but the machine is not ready for sewing.

Fig. 4: Switching the sewing light on and setting the light intensity



Switching the sewing lights on and off



1. Press the button for the requested sewing light (S1 or S2).
↳ The lamp lights up.
2. Press button (S1 or S2) again.
↳ The lamp goes out.



Setting the light intensity

1. Keep the button for the requested sewing light (s1 or S2) pressed, until the lamp briefly flickers.
2. Release the button.
3. Set the desired light intensity on the potentiometer (1):
 - **Brighter:** Turn clockwise
 - **Less bright:** Turn counter-clockwise
4. Press the same button again.
↳ The lamp briefly lights up with the highest intensity. Then it goes out and lights up again with the intensity set with the potentiometer (1).
↳ This setting will be memorized and will also be valid after restarting the machine.

4.2 Sewing light connection

DANGER



Risk of death due to electric shock

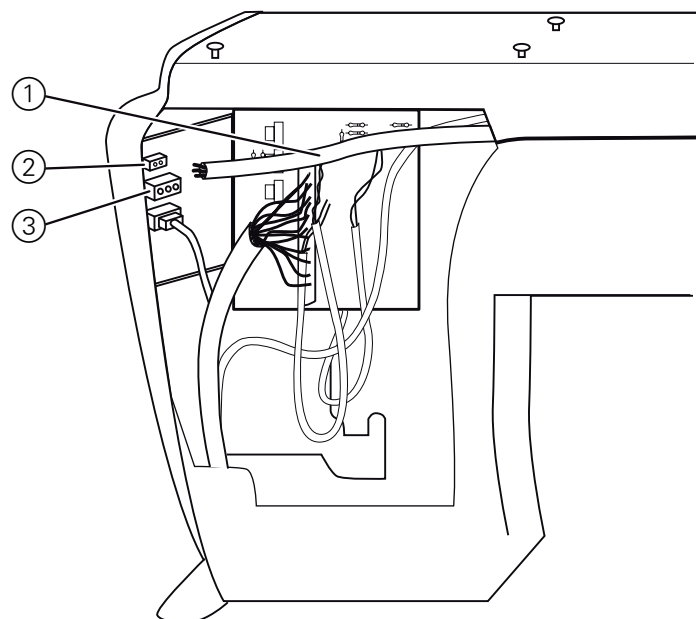
The sewing light control is directly connected to the mains supply and is live even when the main switch is switched off.

Therefore it is essential to pull out the mains plug, before you connect the sewing light.

Make sure that the mains plug cannot be plugged in again by mistake.

The PCB plug connector for the for the sewing light cable is situated on an extra PCB on the left side behind the valve cap.

Fig. 5: Connecting the sewing light cable



- (1) - Sewing light cable
- (2) - Plug connection for the cable of the integrated sewing light
- (3) - Plug connection for the cable of the single-diode light



Connecting the sewing light cable:

- Cable of the integrated sewing light: Plug connector on the top (2)
- Cable of the single-diode sewing light: Plug connector in the center (3)



Use the adapter 9870 867022.



DÜRKOPP ADLER AG
Potsdamer Str. 190
33719 Bielefeld
Germany
Phone +49 (0) 521 925 00
E-Mail: service@duerkopp-adler.com
www.duerkopp-adler.com