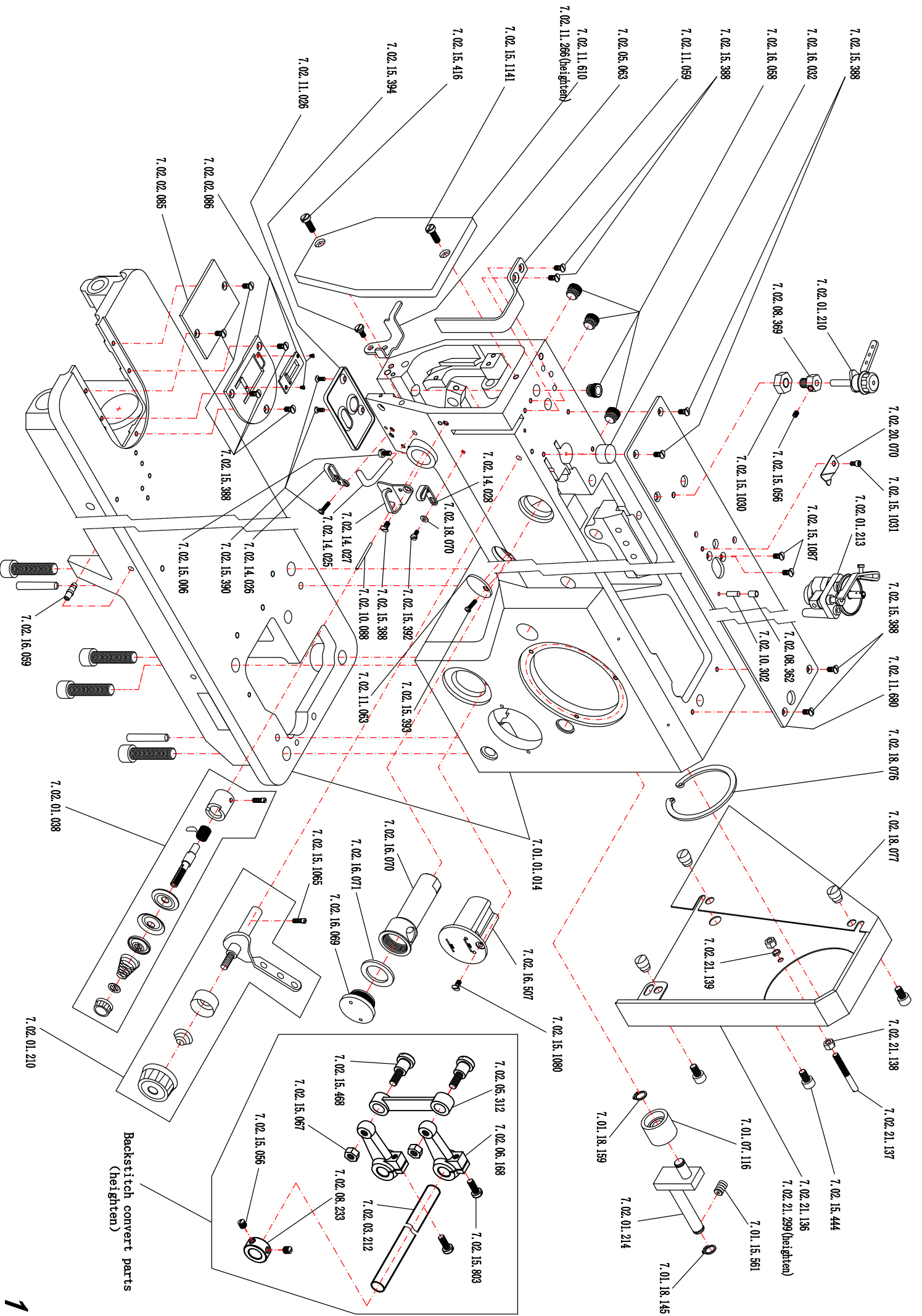


# GLOBAL

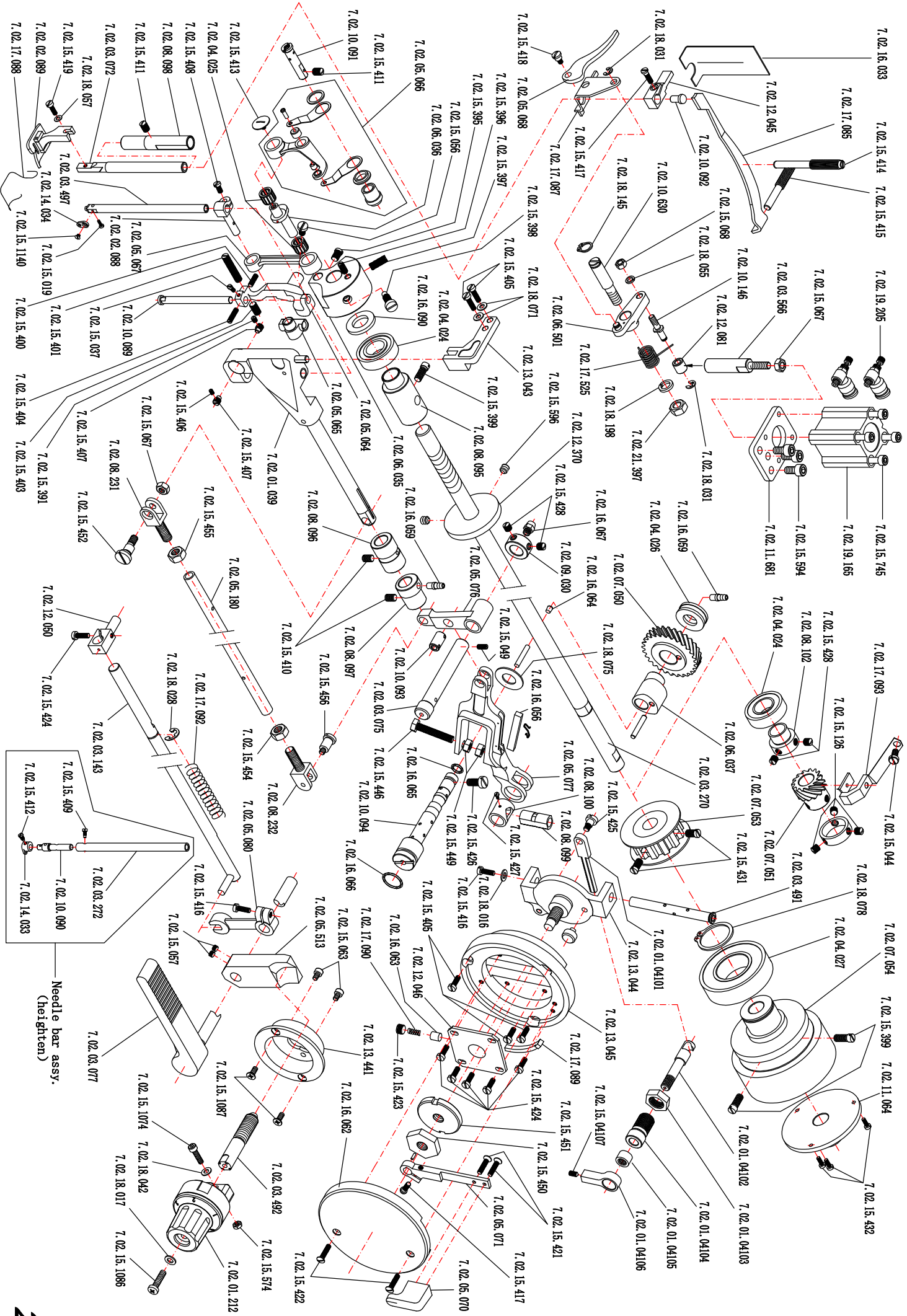
Our experience. Your success

Long arm zigzag sewing machine series

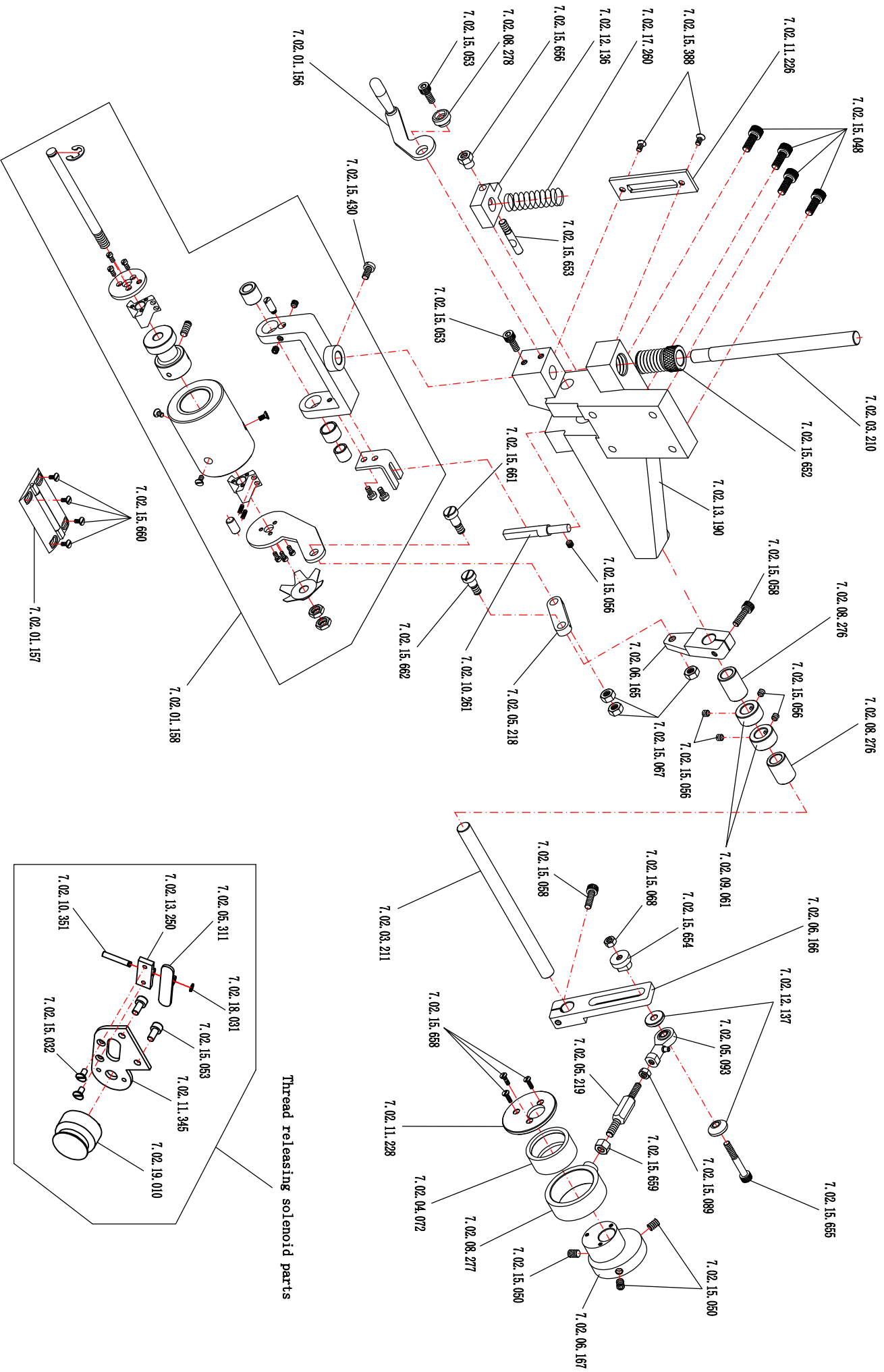
Parts book

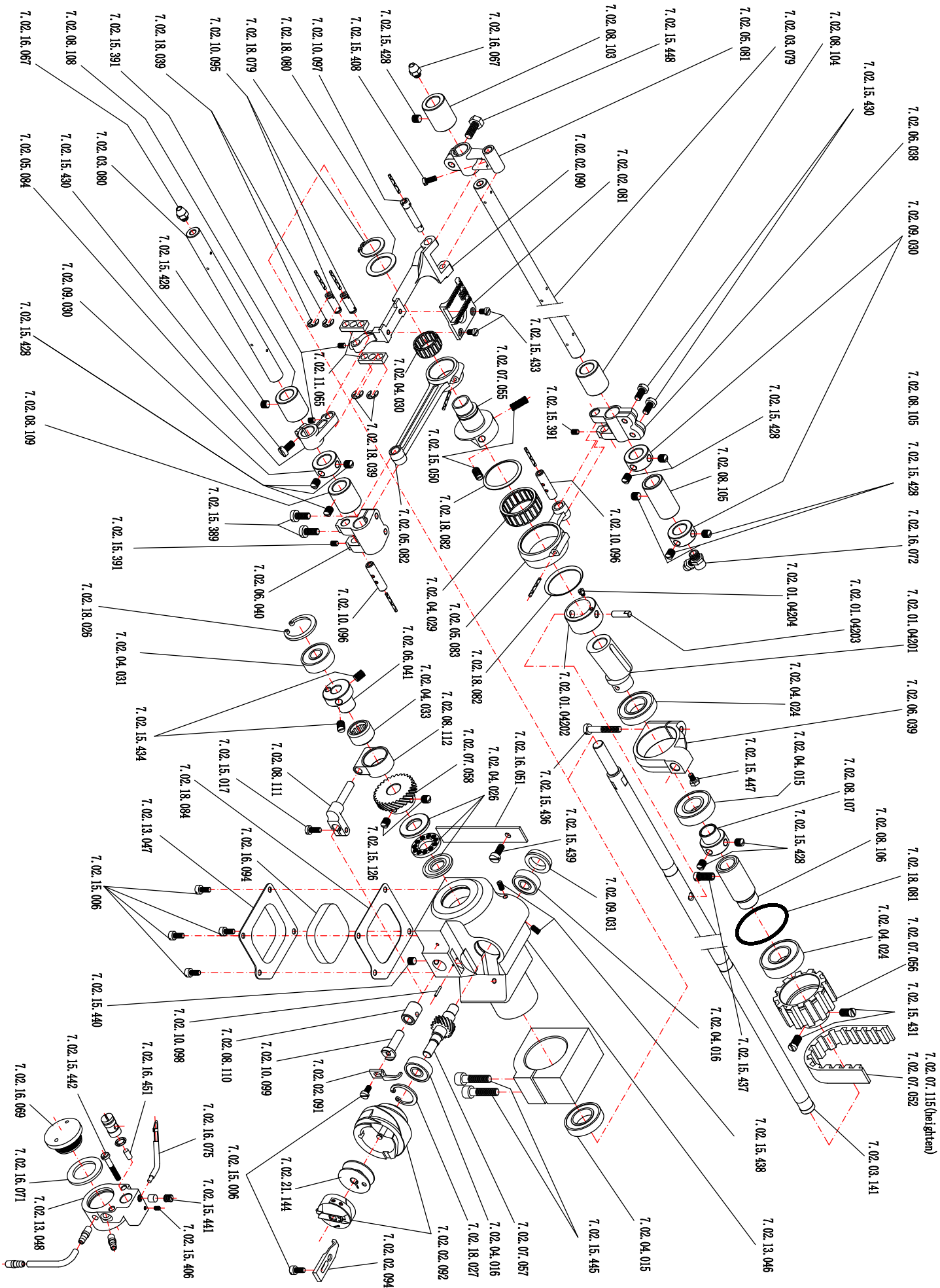


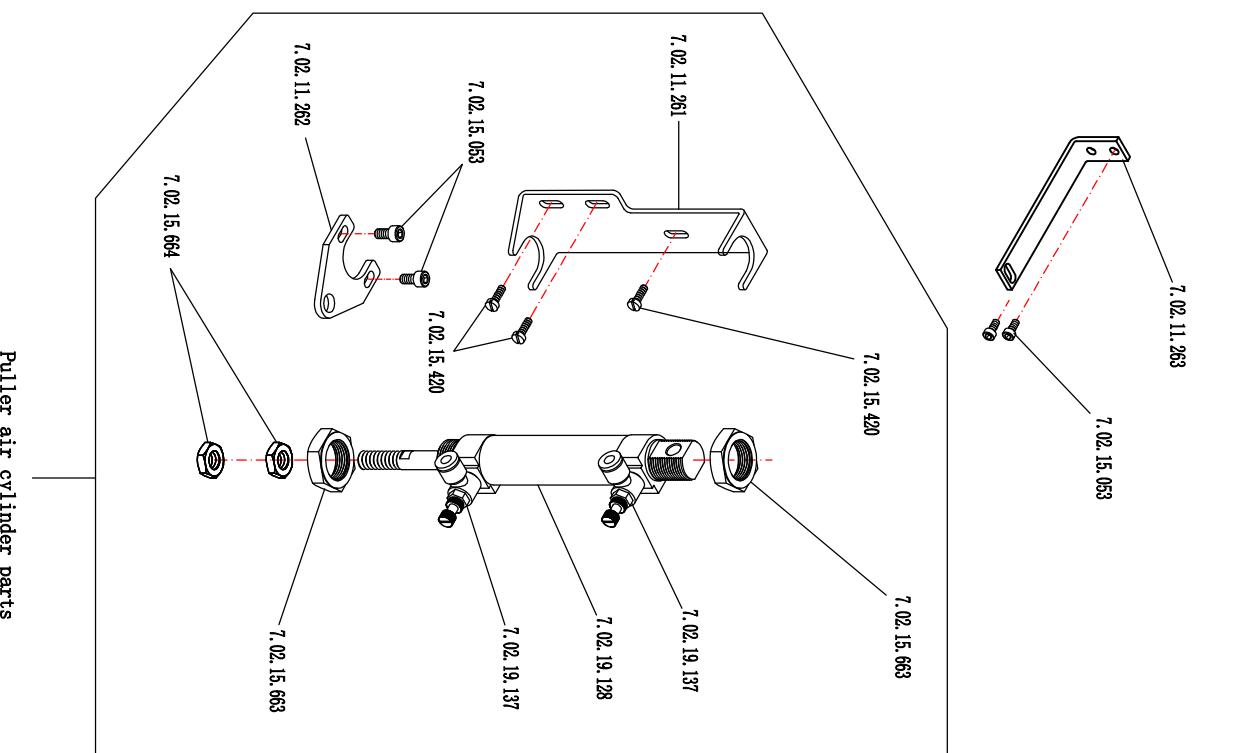
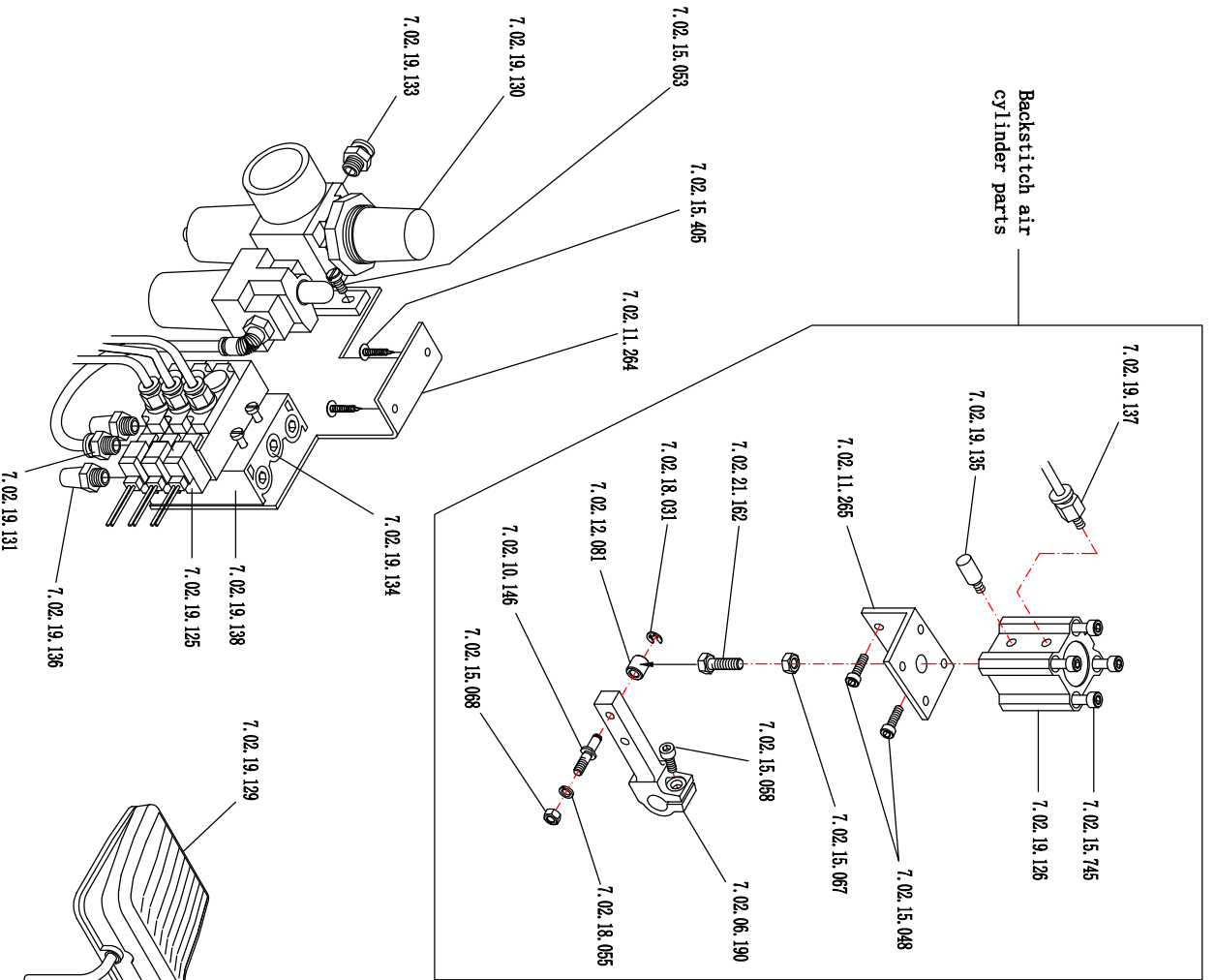
Backswitch convert parts  
(heighten)



Needle bar assy.  
(heighten)

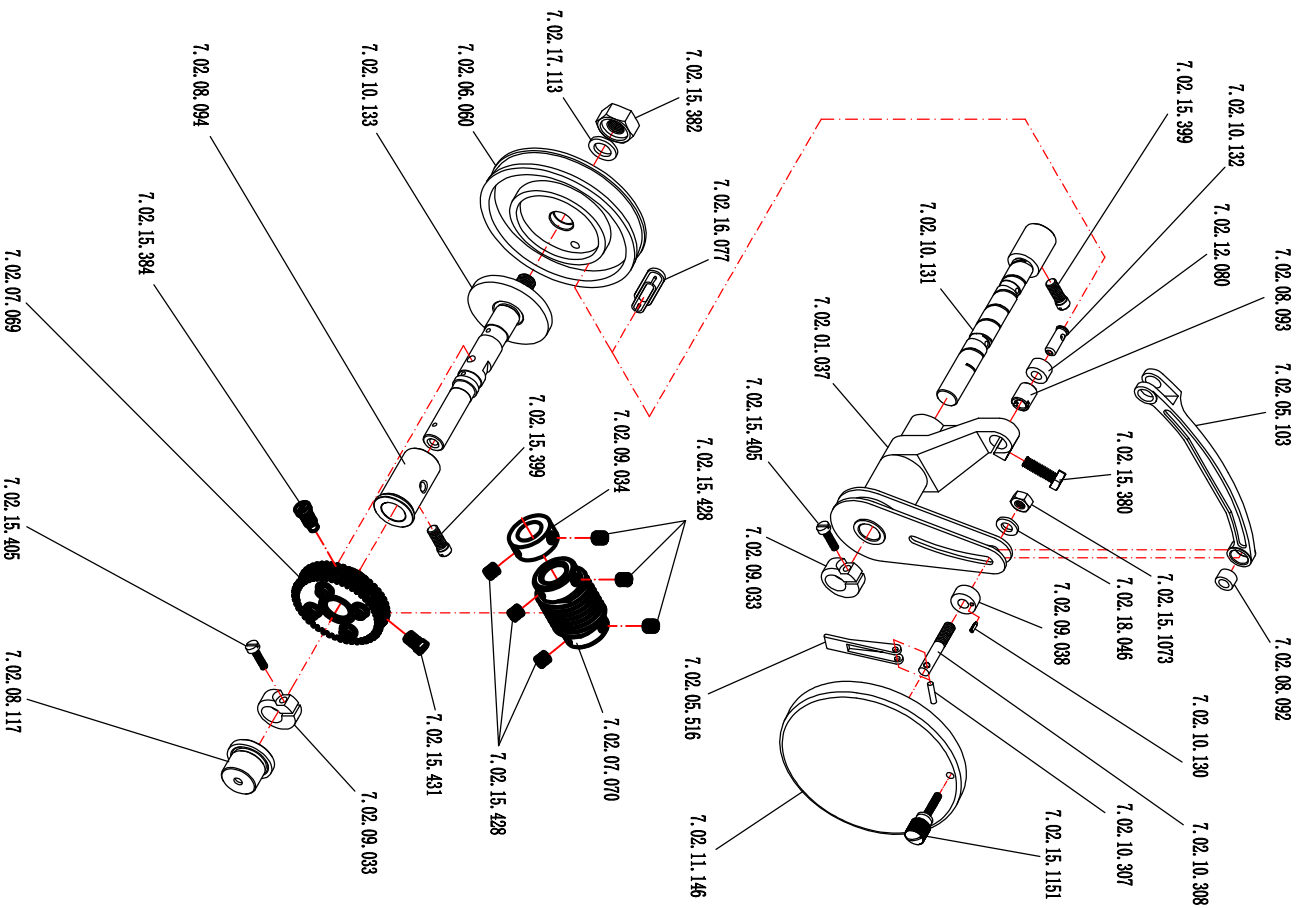








# Special parts for patterns zigzag machine



# Special parts for thread trimming

