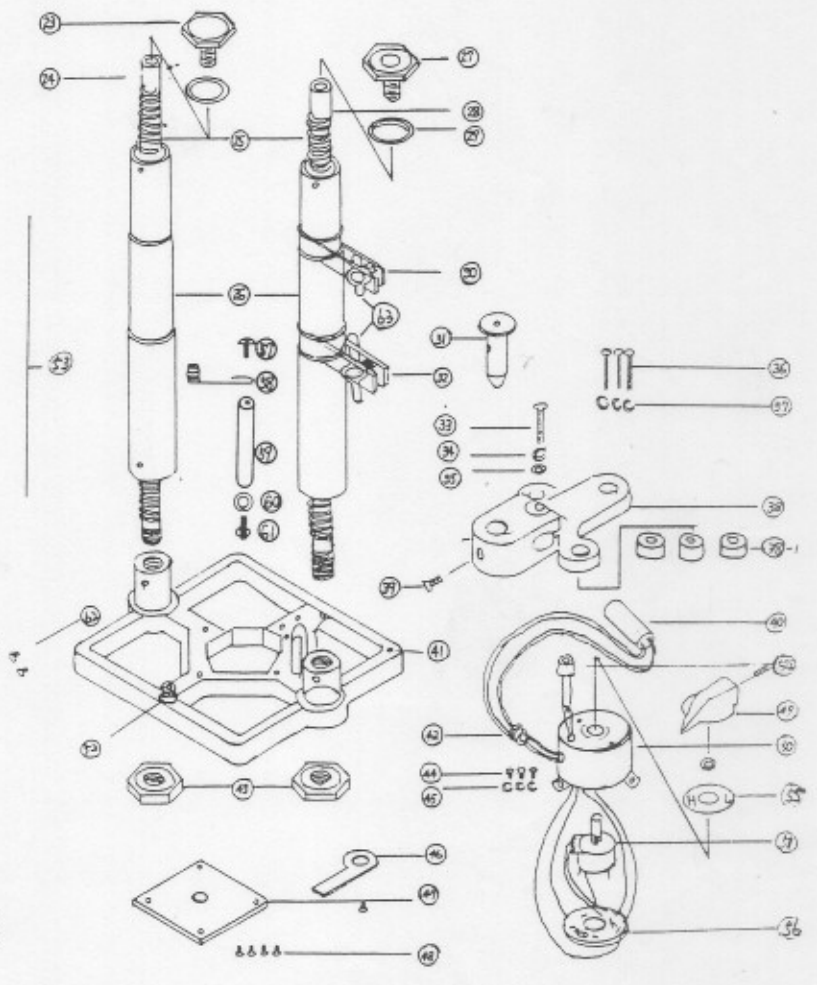
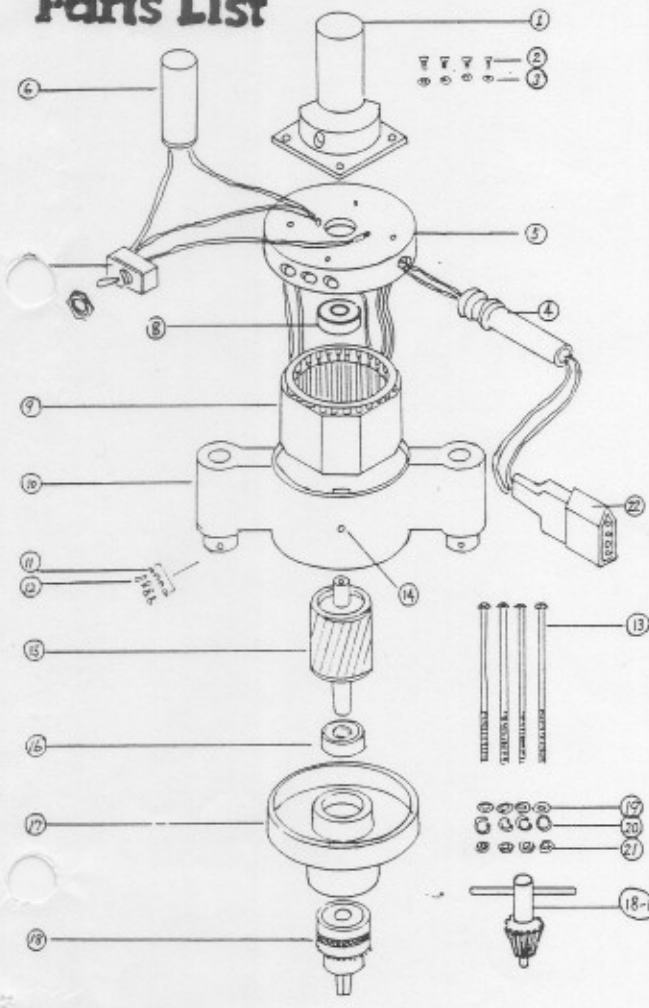


MODEL: CD-10 CLOTH DRILL MACHINE.
=====

*** INSTRUCTIONS ***

- 1). ALL MACHINES ARE EQUIPPED WITH DRILL NEEDLES SIZE 2.0 MM WHEN SHIPPING, CHANGE DRILL NEEDLE SIZE TO 1.6 MM TOGETHER WITH GUIDE TUBE NO.31 WHEN IN NEED. DRILL NEEDLES 1.6 MM AND MACHING GUIDE TUBES ARE SUPPLIED WITH THE MACHINE.
- 2). TURN KNOB NO.49 WHEN HEATING IS NEEDED. THE TEMPERATURE CAN BE OBTAINED AS HIGH AS YOU TURN KNOB CLOCKWISE AND THE PILOT LAMP WILL BE BRIGHTER.
- 3). ALWAYS USE THE SUITABLE TEMPERATURE. WHEN OVERHEAT, PLEASE TURN KNOB NO.49 BACK A LITTLE BIT.
- 4). WHEN USING HEATER, KEEP HANDS AWAY FROM THE HEATING ELEMENT NO.38 TO AVOID BURNT FINGER.
- 5). ALWAYS KEEP MACHINE HORIZONTALLY WHEN IS OPERATION.
- 6). BE SURE TO WIPE OUT THE DRILL NEEDLE WITH SILICON OIL OR SEWING MACHINE OIL AFTER EACH USE.

Parts List



*** PARTS LIST ***

<u>PARTS NO.</u>	<u>DESCRIPTION</u>
NO. 1	HANDLE
2	SCREW (3/16 x 24)
3	WASHER 4 M/M
4	RUBBER COLLAR
5	TOP COVER
6	CONDENSER (110V, 220V)
7	SWITCH
8	BEARING
9	STATOR
10	MOTOR HOUSING
11	1/8 SPRING WASHER
12	1/8 SCREW
13	M4x115 SCREW
14	15/64x28 SCREW
15	ROTOR
16	BEARING
17	LOWER COVER
18	CHUCK
18-1	CHUCK KEY
19	WASHER 3/16x3/8
20	M4 SPRING WASHER
21	NUT (M4)
22	4P CONNECTOR
23	SCREW
24	HOLLOW TUBE
25	SPRING
26	TELESCOPIC TUBE
27	HOLLOW SCREW
28	HOLLOW TUBE
29	O-RING
30	CLAMP SMALL

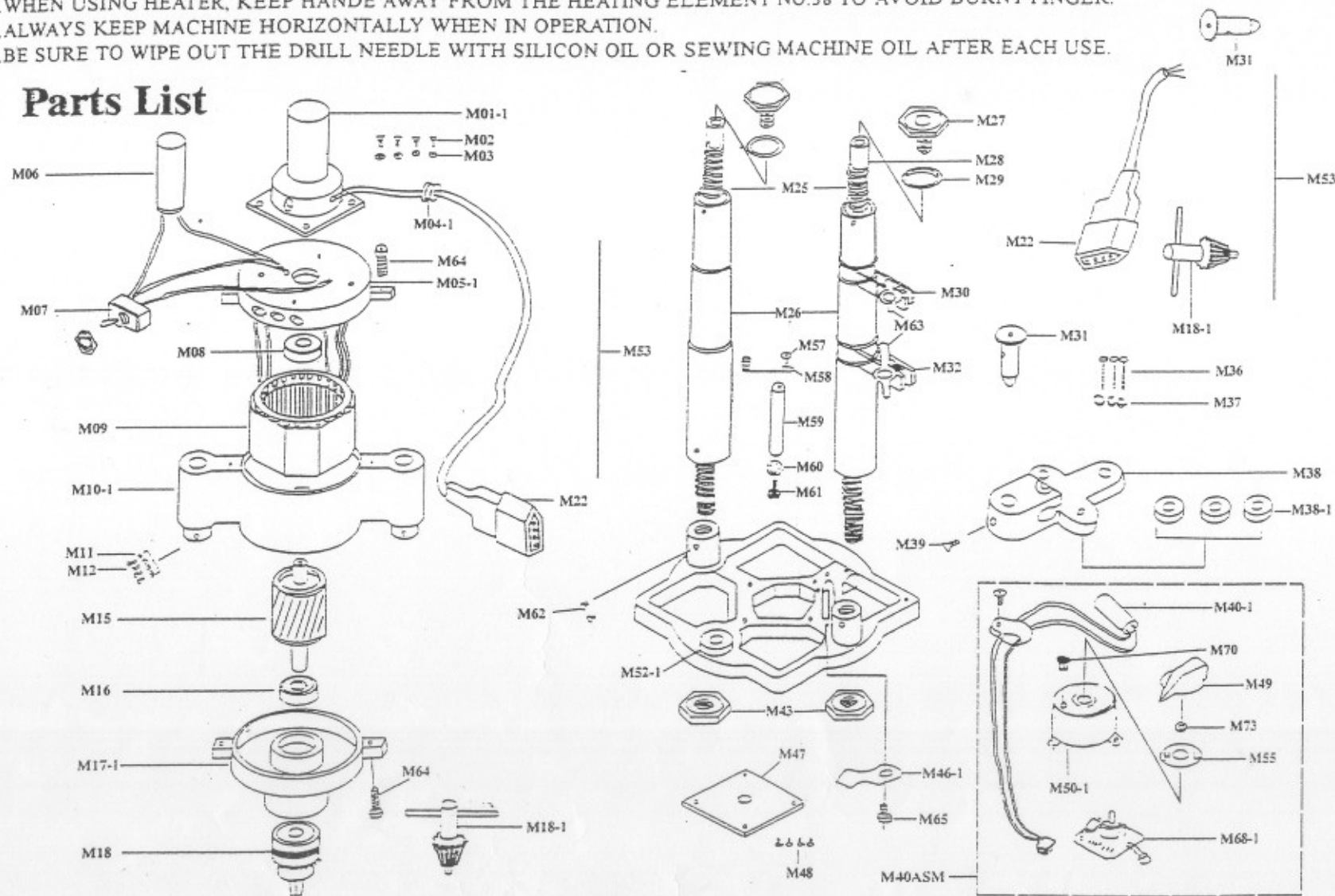
*** PARTS LIST ***

<u>PARTS NO.</u>	<u>DESCRIPTION</u>
NO.31	GUIDE TUBE (1.6 MM, 2.0 MM, 1.0 MM, 3.0 MM, 3.5 MM, 2.2 MM, 2.5 MM)
32	CLAMP LARGE
33	5/32x3/4 SCREW
34	SPRING WASHER 4 M/M
35	WASHER 4 M/M
36	5/32 x 1 SCREW
37	SPRING WASHER 4 M/M
38	HEATER FIXED BASE
38-1	INSULATION WASHER
39	SCREW 5/32x3/8
40	HEATER (110V, 220V)
41	BASE PLATE
42	RUTTER COLLAR
43	RUT
44	1/8x1/4 SCREW
45	SPRING WASHER 3 M/M
46	SIXING PLATE
47	ACRYLIC BOARD
48	1/8x1/4 SCREW
49	TURN KNOB
50	THERMOCONTROL COVER
51	VARIABLE RESISTOR
52	HORIZONTAL LEVER
53	DRILL (1.6 MM, 2.0 MM, 1.2 MM, 1.5 MM, 2.5 MM.)
54	LIGHT
55	LABEL
56	PC BORAD (PCB)
57	FIXED PLATE
58	SPRING
59	SPRING FIXED BAR
60	SPRING WASHER

Instructions

1. ALL MACHINES ARE EQUIPPED WITH DRILL NEEDLES SIZE 2.0MM WHEN SHIPPING CHANGE DRILL NEEDLE SIZE TO 1.6MM TO GETHER WITH GUIDE TUBE NO.31 WHEN IN NEED. DRILL NEEDLES 1.6MM AND MACHING GUIDE TUBES ARE SUPPLIED WITH THE MACHINE.
2. TURN KNOB NO.49 WHEN HEATING IS NEEDED. THE TEMPERATURE CAN BE OBTAINED AS HIGH AS YOU TURN KNOB CLOCKWISE AND THE PILOT LAMP WILL BE BRIGHTER.
3. ALWAYS USE THE SUITABLE TEMPERATURE. WHEN OVERHAT, PLEASE TURN KNOB NO.49 BACK A LITTLE BIT.
4. WHEN USING HEATER, KEEP HANDE AWAY FROM THE HEATING ELEMENT NO.38 TO AVOID BURNT FINGER.
5. ALWAYS KEEP MACHINE HORIZONTALLY WHEN IN OPERATION.
6. BE SURE TO WIPE OUT THE DRILL NEEDLE WITH SILICON OIL OR SEWING MACHINE OIL AFTER EACH USE.

Parts List



PART NO	PARTS NAME
M01-1	Handle
M02	Screw
M03	Washer
M04-1	Rubber Collar
M05-1	Top Cover
M06	Condenser 110V or 220V
M07	Switch
M08	Bearing
M09	Stator, 110V, 220V, 240V
M10-1	Motor Housing
M11	Spring Washer
M12	Screw
M15	Rotor
M16	Bearing
M17-1	Lower Cover
M18	Chuck
M18-1	Chuck key
M22	4P Connector+Power Plug
M25	Spring
M26	Telescopic Tube
M27	Hollow Screw
M28	Hollow Tube
M29	O-Ring
M30	Clamp Small
M31	Guide Tube 2.1 or 1.7 mm
M32	Clamp Large
M36	Screw
M37	Spring Washer
M38	Heater Fixed Base
M38-1	Insulation Washer
M39	Screw
M40	Heater Assembly
M40-1	Heater 110V, 220V, 240V
M41-1	Base Plate
M43	Nut
M46-1	Fixing Plate
M47	Acrylic Board
M48	Screw
M49	Turn Knob
M50-1	Thermo Control Cover
M52-1	Horizontal Level
M53	Drill 1.6 or 2.0 mm
M55	Label
M57	Screw
M58	Spring
M59	Spring Fixed Bar
M60	Spring Washer
M61	Screw
M62	Screw
M63	Screw
M64	Screw
M65	Screw
M66	Clamp Large
M67	Screw
M68-1	Variable Resistor/PC Board
M70	Sleeve
M73	Nut