

# **PARTS ASSEMBLIES FOR**

## **Bonis Model TC-57**

**TC 57**

**SPEED SHOULD NOT EXCEED**

**NO MORE THAN 1500 R.P.M.**

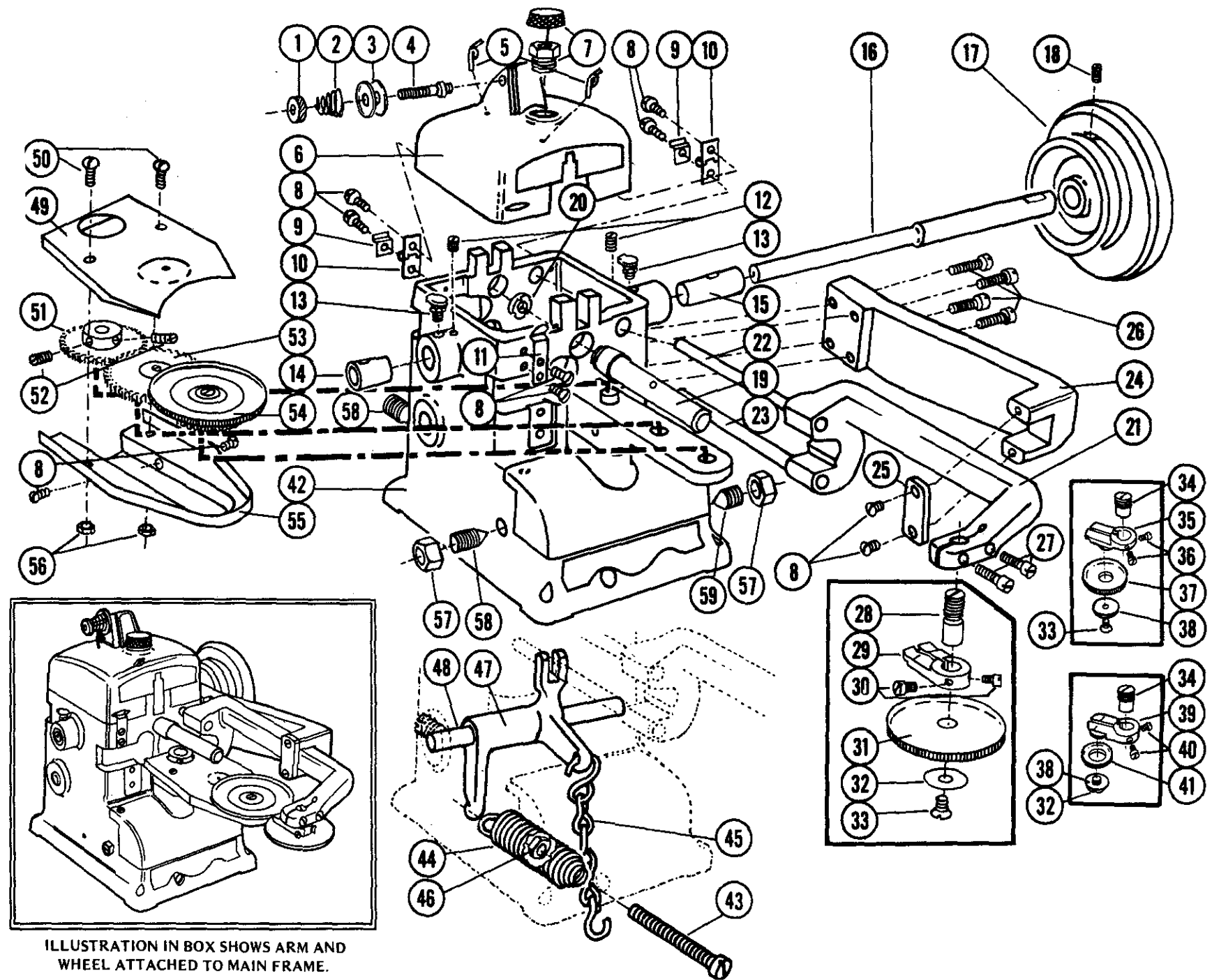
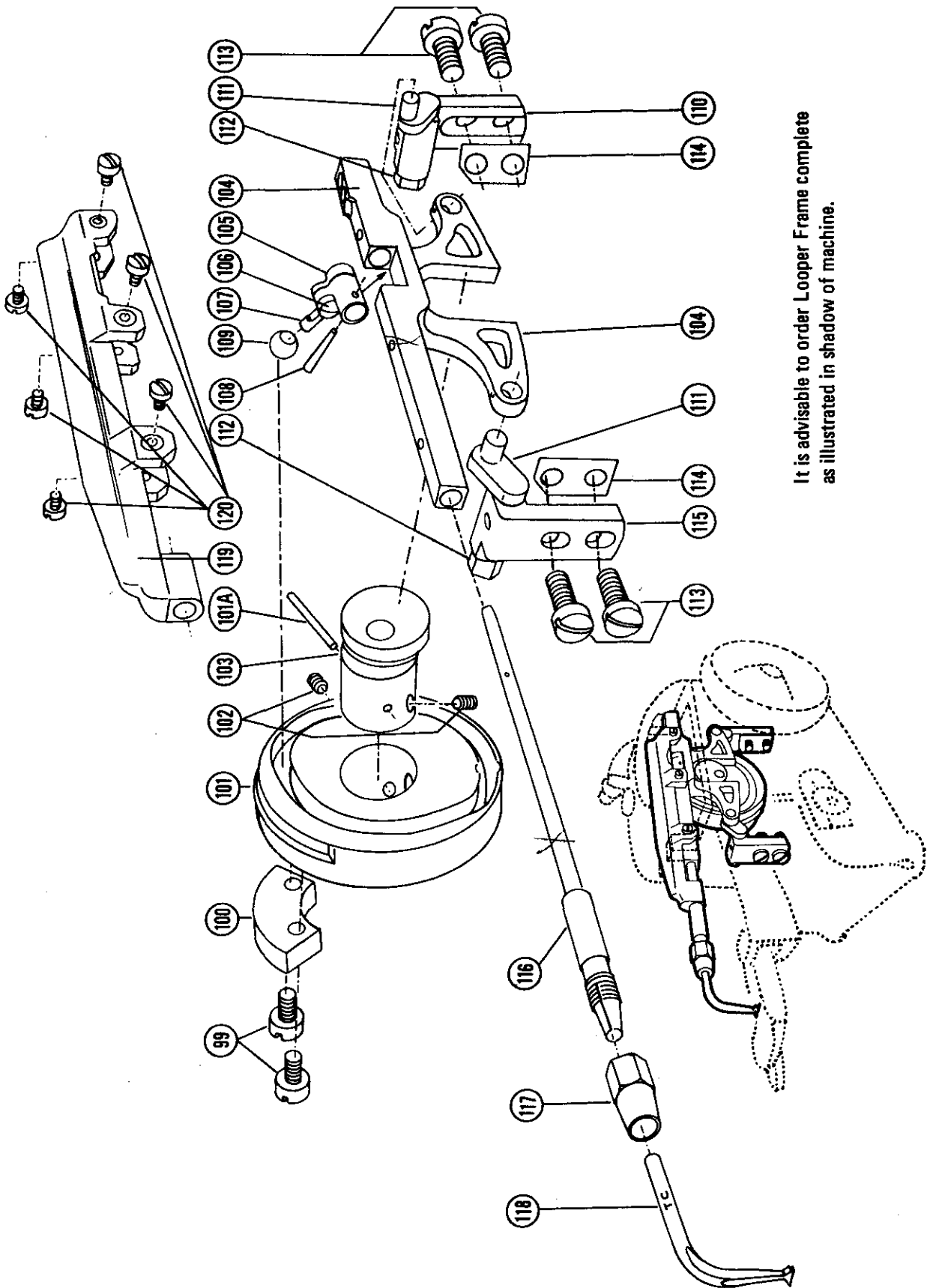


ILLUSTRATION IN BOX SHOWS ARM AND WHEEL ATTACHED TO MAIN FRAME.



It is advisable to order Looper Frame complete as illustrated in shadow of machine.

## MAIN FRAME ASSEMBLY

Refer. No.	Part No.	Description
1	226	Tension Nut
2	133	Top Cover Tension Spring
3(2)	129	Tension Disc
4(	213	Tension Post
5(2)	128	Top Cover Thread Guide
6	603	Top Cover
6A	704	Front Cover
6B(2)	221	Front Cover Screw
7	608	Top Cover Oil Well
8(8)	405	Top Cover Hinge Screws
9(2)	612	Top Cover Hinge Stoppers
10(2)	611	Top Cover Hinges
11	610	Top Cover Lock Spring
12(2)	248	Main Shaft Bushing Screws
13(2)	409	Small Oil Cups
14	30-B-T	Main Shaft Bushing, short Bronze
15	29-B-T	Main Shaft Bushing, long Bronze
16	105-51	Main Shaft for TC-57 3/8" & 1/2" diameter
17	24	Belt Wheel
18	203	Belt Wheel Screw
19	117-B-TC	Needle Bar Bushing
20	118-T	Needle Bar Bushing Collar
21	19-TC	Feed Disc Arm complete with pins
		19-TC (not illustrated) - Feed Disc Arm without pins
22	108-A-TC	Top Arm Pin
23	108-TC	Bottom Arm Pin
24	19-A-TC	Arm Support Bracket
25	19-B-TC	Arm Support Bracket Clamp
26(4)	19-C-TC	Arm Support Bracket Screws
27(2)	219-S	Arm Pinch Screws
28	107-S	Disc Stud
29	121-S	Needle Guard
30(2)	639	Needle Guard Screws
31	18-S	Front Feed Disc
32	39-S	Disc Stud Screw Washer
33	426	Disc Stud Screw
#28 through #33 sold as complete unit #18-S-C		
34	107-N	Front Feed Disc Stud
35	121-N-1-1/8"	Needle Guard
36(2)	639-N	Needle Guard Screws
37	18-N-1-1/8"	Front Feed Disc
38	46-S	Disc Stud Screw Washer
33	426	Disc Stud Screw

} SOLD AS  
COMPLETE  
UNIT #18-S-C

} SOLD AS  
COMPLETE  
UNIT  
#18-N-1-1/8"-C

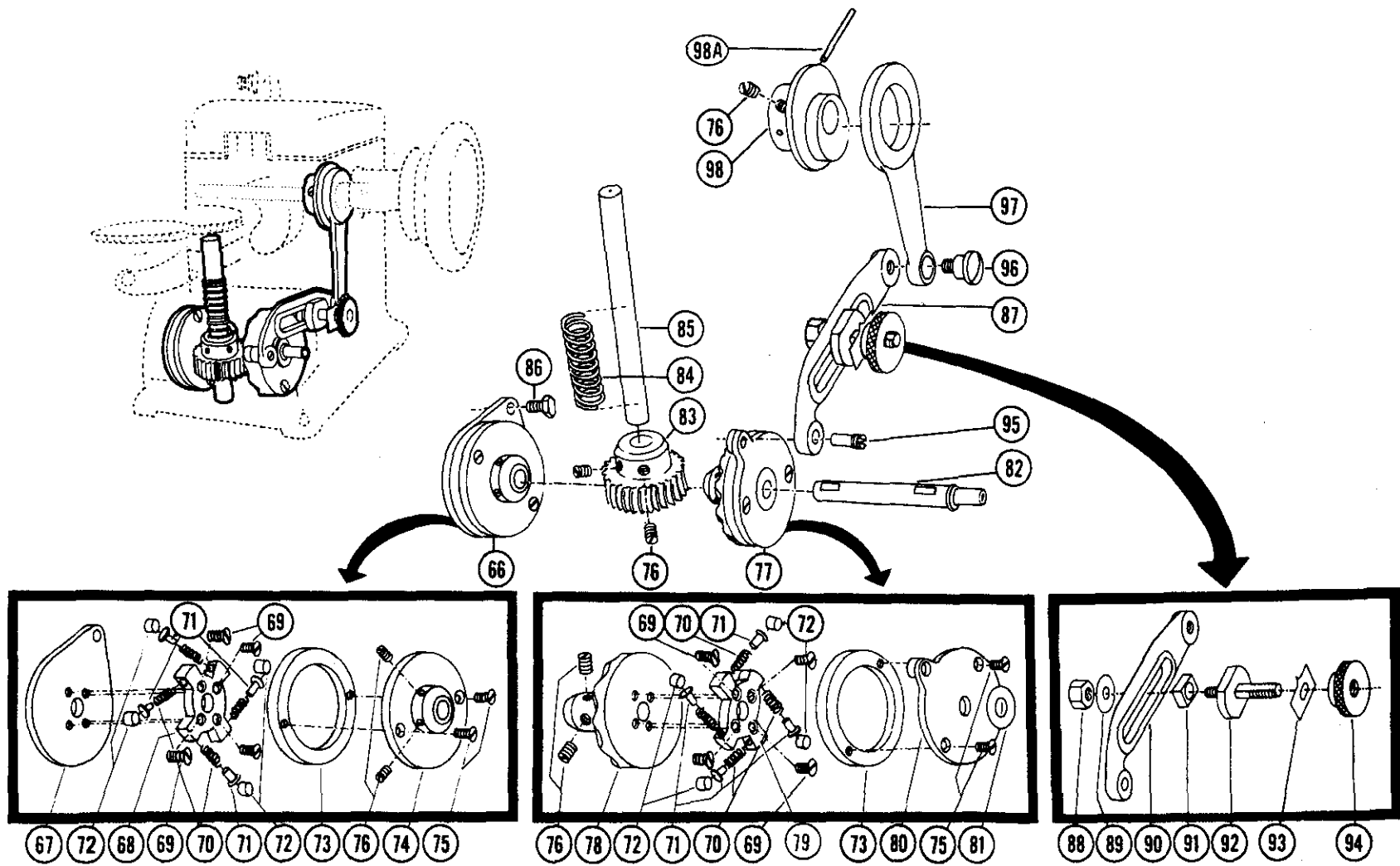
#33 through #38	sold as complete unit	#18-N-1-1/8"
33	426	Stud Screw
34	107-N	Front Feed Disc Stud
38	46-S	Disc Stud Screw Washer
39	121-N-7/8"	Needle Guard
40(2)	639-N	Needle Guard Screws
41	18-N-7/8"	Front Feed Disc
#33 thru 41	sold as complete unit	assembled-Front Feed Disc-18-N-7/8"C
42	1-TC	Main Frame
43	259	Pressure Lever Adjusting Screw
44	157	Pressure Lever Spring
45		Chain
46	250	Pressure Lever Adjusting Screw Nut
47	21	Pressure Lever
48	158	Pressure Lever Shaft
49	44-TC	Top Gear Guard
50(2)	221	Top Gear Guard Screws
51	32-TC	Hub Gear
52(2)	202	Set Screw For Hub Gear
53	40-TC	Rear Feed Gear
40-TC	includes parts numbers 41-TC & 42-TC sold as a complete unit only	
54	18-3"-TC	Rear Feed Disc-Also available in saw tooth wheel (Not illust.)
	#18-3"-TC	includes parts numbers 41-TC, 43-TC and 426 sold as complete unit only.
55	45-TC	Bottom Gear Guard
56(2)	221-N	Bottom Gear Guard Nuts
57(2)	224	Feed Shaft Screw Nuts
58(2)	201-L	Pressure Lever Shaft Screws (long)
59	201-S	Pressure Lever Shaft Screw (short)

SOLD AS COMPLETE UNIT #18-N-7/8"-C

## LOOPER FRAME ASSEMBLY

Refer. No.	Part No.	Description
99(2)	214	Balance Weight Screws
100	27	Balance Weight
101	149-T	Oscillating Cam
101-A	234	Looper Eccentric Pin
102(2)	202	Eccentric Set Screws
103	411-57	Looper Frame Hardened Steel Eccentric
104	144-TC	Looper Frame
105	9	Oscillating Arm
106	208	Looper Cam Roller Stud Set Screw
107	207	Looper Cam Roller Stud
108	239	Taper Pin
109	126	Looper Oscillating Roller
110	122-T-51/10-T-51/205/225 - Back Rocker fitted complete with stud	
111(2)	205	Looper Frame Rocker Stud
112(2)	225	Looper Frame Rocker Nut
113(4)	206	Looper Frame Rocker Bracket Screws
114(2)	143	Rocker Packing - specify thickness - .004, .006, .010, .020
115	410-51/422-51/205/412 - Complete Front Rocker with Stud illustrated	
116	124-TC	Looper Shaft
117	125	Hexagon Looper Chuck Shell
118	114-TC	Looper
119	144-B-TC	Looper Frame Support Bracket
120(6)	639	Looper Frame Support Bracket Pinch Screws

SOLD AS COMPLETE UNIT #9



(Left Side Feed Retaining Drum Not Assembled)

(Right side Feed Gear not assembled)

(Feed Lever Not Assembled)

ILLUSTRATED IN SHADOW MACHINE—GEAR AND FEED  
 ASSEMBLY INSTALLED IN MAIN FRAME—COMPLETE

## GEAR & FEED FRAME

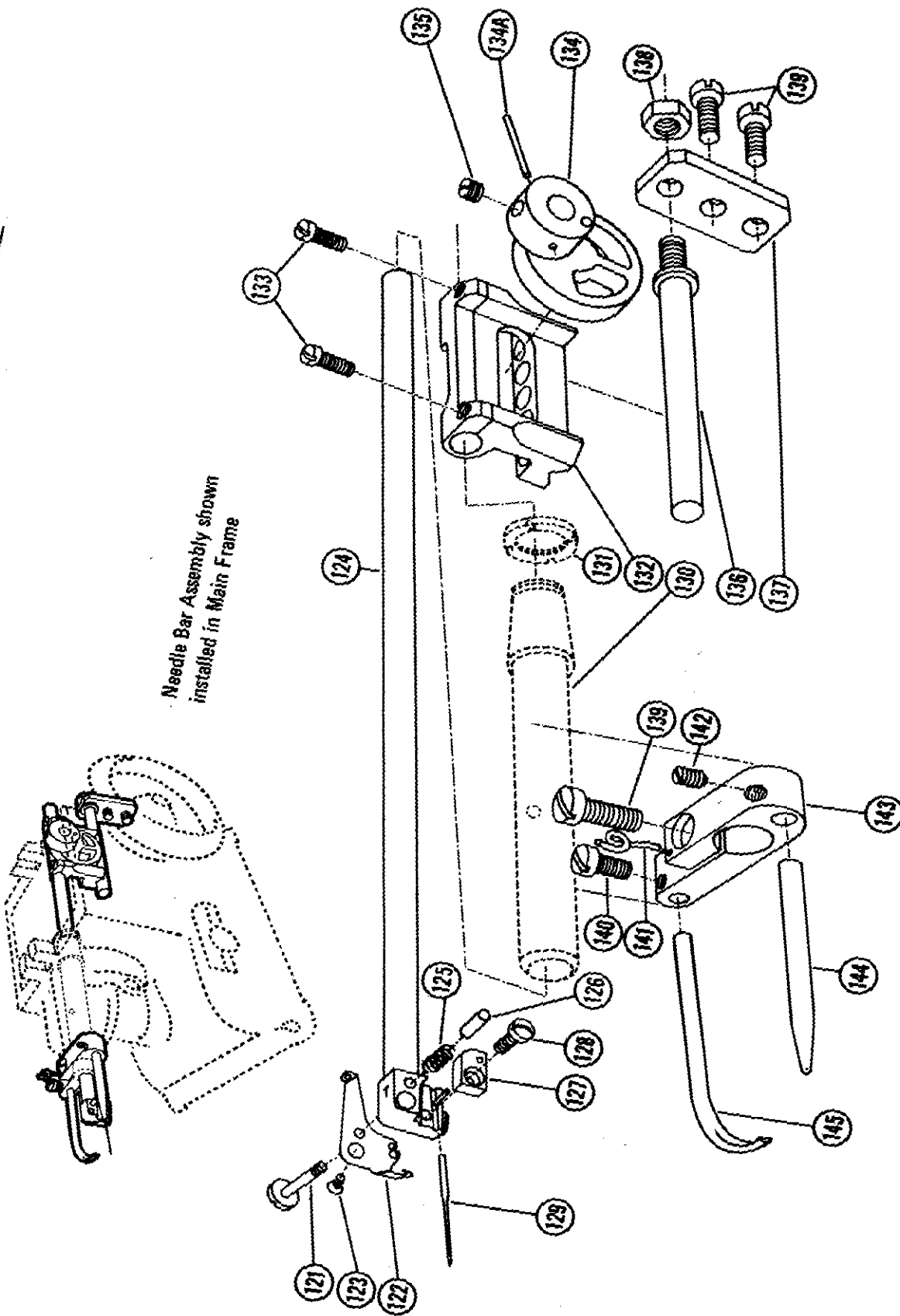
Refer No.	Part No.	Description
66	416	Left Side Feed Retaining Drum Complete
67	630	Feed Retaining Drum Plate
68	629	Feed Retaining Drum Cam
69 (4)	427	Feed Gear Cam Set Screws
70 (4)	424	Feed Gear Roller Spring
71 (4)	423	Feed Gear Roller Pin
72 (4)	421	Feed Gear Roller
73	419	Feed Gear Ring – Left and Right Side of Gear,
74	628	Feed Retaining Drum
75 (2)	426	Feed Gear Plate Screws
76	202	Set Screws
		Right Side Feed Gear uses same numbers on screws, roller springs, pins and cams
77	416-C	Right Side Feed Gear Complete
78	416	Feed Gear Only
79	420	Feed Gear Cam
80	425	Feed Gear Plate
81	418	Feed Gear Shaft Washer
82	417	Feed Gear Shaft
83	17	Feed Gear (Small)
84	132	Feed Disc Shaft Spring
85	106	Disc Shaft
86	433	Feed Retaining Drum Plate Shoulder Screw
87	15-C	Feed Lever Fitted Complete
88	228	Stitch Stud Nut
89	123	Feed Lever Washer
90	15	Feed Lever Only
91	111	Stitch Regulating Block
92	109	Stitch Regulating Stud
93	112	Stitch Indicator
94	110	Stich Regulating Stud Nut
95	211	Feed Dog Driving Screw
96	209	Feed Lever Screw
97	14	Feed Connection
98	13-B	Feed Eccentric
76	202	Set Screws
98-A	235	Feed Eccentric Pin

} SOLD AS  
COMPLETE UNIT  
#13 & 14/B-C

**\*\*C\*\* after Part Number Denotes "COMPLETE"**

**Special Gauges for Special Work are Available**

Needle Bar Assembly shown  
installed in Main Frame





## NEEDLE BAR ASSEMBLY

Refer. No.	Part No.	Description
121	215.....	Needle Bar Tension Plunger
122	115-T.....	Needle Bar Tension Plate
123	217.....	Needle Bar Tension Plate Screw
124	113-½-TC.....	Needle Bar
125	134.....	Needle Bar Tension Spring
126	216.....	Needle Bar Plunger Nut
127	119.....	Needle Clamp
128	227.....	Needle Clamp Screw
129		Needle, Bonis System H
130	117-B-TC.....	Needle Bar Bearing
131	118-T.....	Needle Bar Bearing Collar
132	466-51.....	Needle Bar Yoke
133(2)	218.....	Needle Bar Yoke Pinch Screws
134	7-B-51.....	Needle Bar Yoke Eccentric
134-A	235.....	Yoke Eccentric Pin
135	202.....	Yoke Eccentric Set Screw
132, 133, 134, 125		Sold as complete unit #466-51-C
136	467.....	Needle Bar Yoke Support Shaft
137	469.....	Needle Bar Yoke Adjustable Bracket
138	468.....	Needle Bar Yoke Lock Nut
139(3)	210.....	Needle Bar Yoke Adjustable Bracket Screws
140	214.....	Guide Screw
141	128.....	Thread Guide
142	229.....	Tension Post Screw
143	117-C-TC.....	Needle Bar Bearing Support
144	116.....	Needle Bar Tension Post
145	127-T.....	Work Guide

**\*\*C" after Part Number Denotes "COMPLETE"**

**DEALER:**

**REFERENCE NUMBERS ON EACH PLATE ARE NOT NECESSARILY THE SAME, HOWEVER, THE PART NUMBER, IF A DUPLICATE IS THE SAME.**

**Printed in U.S.A.**