

# GLOBAL

## SM 7500

Two - thread overcast stitch sewing machine  
for soles

INSTRUCTION / OPERATING MANUAL  
PARTS MANUAL



Used sewing machines  
Gebrauchtmaschinen  
Máquinas usadas  
Machines occasion



New sewing machines  
Neue Nähmaschinen  
Máquinas nuevas  
Machines nouveaux



Spare parts for Global machines



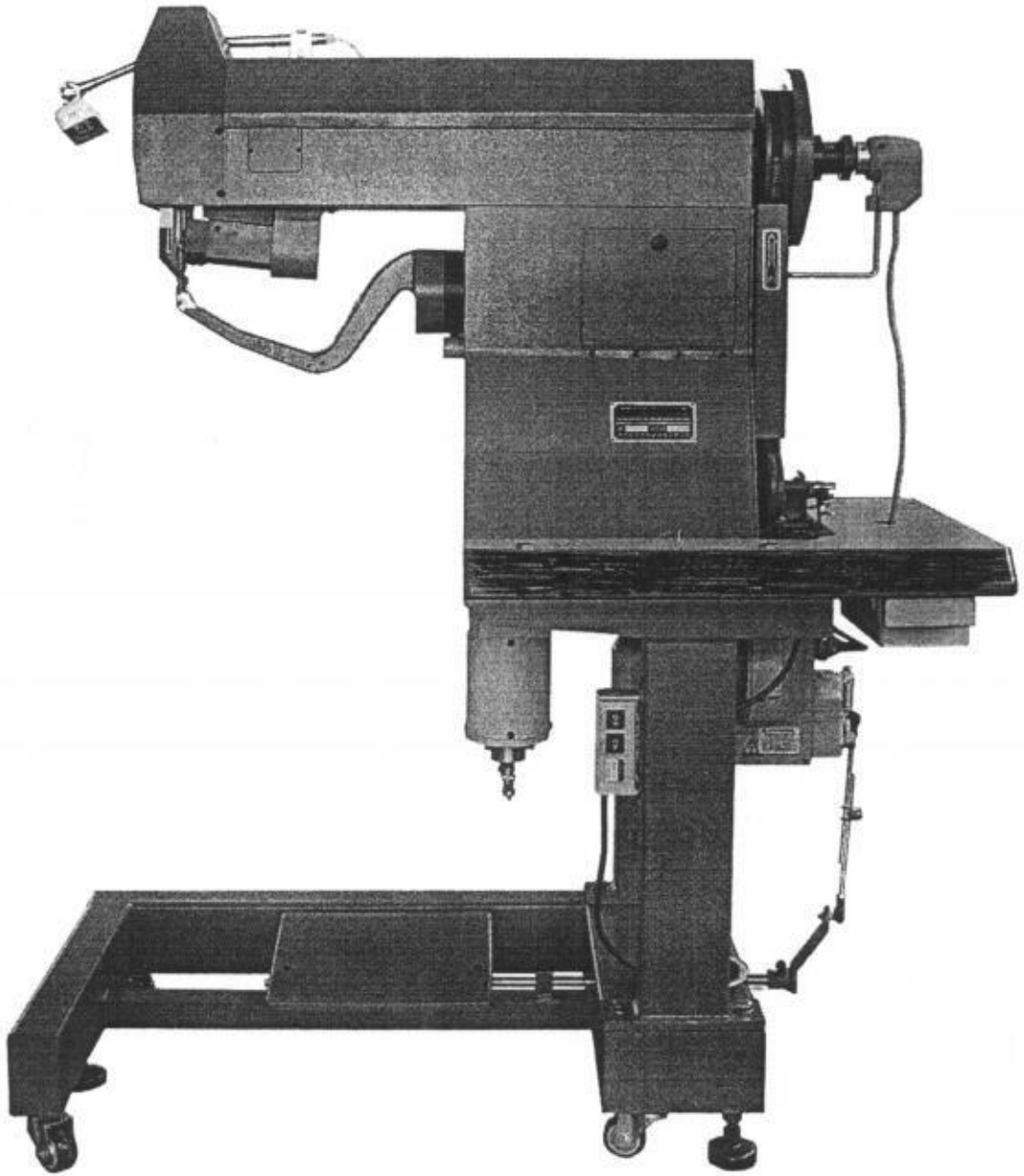
European distributor  
of HO HSING  
motors

[WWW.IMCA.NET](http://WWW.IMCA.NET)

[INFO@IMCA.NET](mailto:INFO@IMCA.NET)



SM-7500





# INDEX LIST

1. MACHINE DESCRIPTION .....	1
2. TECHNICAL FEATURES OF THE MACHINE .....	1
3. PREPRATION READY FOR USE .....	2
3.1 Start pedal .....	2
3.2 Horn thread preparation .....	2
3.3 Horn thread tension adjustment.....	3
3.4 Stitch length adjustment .....	3
4. REPLACEMENT AND ADJUSTMENT OPERATION .....	4
4.1 Needle replacement .....	4
4.2 Set the lowest position of the needle bar .....	4
4.3 The Rapid-slow transmission device of the shuttle adjustment .....	4
4.4 The Take-up lever adjustment .....	5
4.5 The foot bars advance step adjustment .....	6
4.6 The presser foots height adjustment .....	6
4.7 Right presser foots height adjustment .....	7
5. SM-7500) EQUIPPED WITH "A" OR "B" HORN .....	7
6. MACHINE MAINTENANCE .....	8
6.1 Spare parts and tools supplied with the machine .....	8
7. PARTS DRAWING .....	9



*Thank you very much for your choice of SM-7500 lockstitch sewing machine. Please read the manual carefully before use!*

## **1. MACHINE DESCRIPTION**

SM-7500 is a lockstitch sewing machine for side stitching of shoe soles. The machine equipped with horn "A" and horn "B". Horn "A" is used for side stitching of the shoes and boxsoles, also for stitch surmounting the tip of the upper. Horn "B" is only used for side stitching of the shoes and boxsoles.

The sewing is carried out by a needle and shuttle system, mechanically run by a transmission shaft, cam and gears, controlled by an electronic motor. The double feeding, foot and needle, ensures a constant length of stitch, even in the more difficult parts as the toecap and the heel of the shoe. Presser foot automatically lifted.

The greatest easiness and simplicity in the adjustments, the greatest mechanical accessibility and reduced maintenance.

## **2. TECHNICAL FEATURES OF THE MACHINE**

Sewing speed:	Step less speed regulating
Stitch length:	3-13mm
Stitching thickness:	2-6mm
Needle:	4035/195
Sewing motor:	600W/220V
Lighting:	7W/220V
Net weight:	172Kg
Machine dimensions:	112×56×134 (L×W×H)

### 3. PREPRATION READY FOR USE

#### 3.1 start pedal (fig.1)

First of all, switch on the main switch of the machine to check if the rotation of the motor conformable to the red allow on the belt cover. If the direction is opposite, switch in the other way round. Then operate the start pedal in three different movements. (Fig.1)

- Pressing forward (direction A) means advance. Pressing lightly is slow and pressing strongly is fast. Avoid pressing very strongly at the beginning.
- Stop in the neutral position.
- pressing backward (direction B) means lifting presser foot.

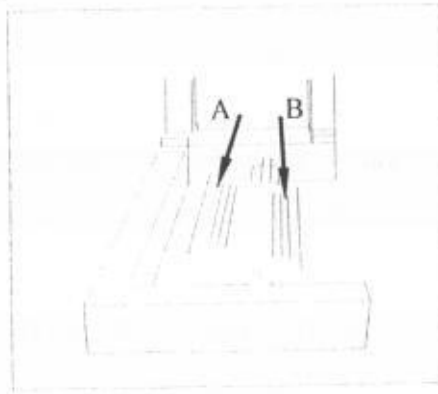


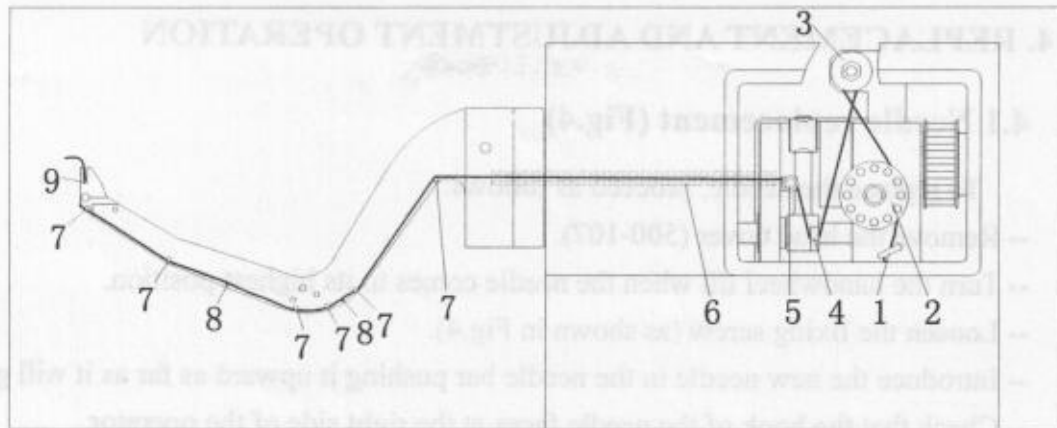
Fig 1

#### 3.2 Horn thread preparation (Fig.2)

To prepare the horn thread, proceed as follows:

- Switch off the machine, then open the cover located on the frame seat.
  - Threading the horn thread by the path indicated in Fig.2
- (1) Threading rod
  - (2) Tighten wheel
  - (3) Brake thread device
  - (4) Take-up lever
  - (5) Threading wheel
  - (6) Threading shaft
  - (7) Threading wheel
  - (8) Little rod
  - (9) Horn pipe





**Fig 2**

### 3.3 Horn thread tension adjustment (Fig.2)

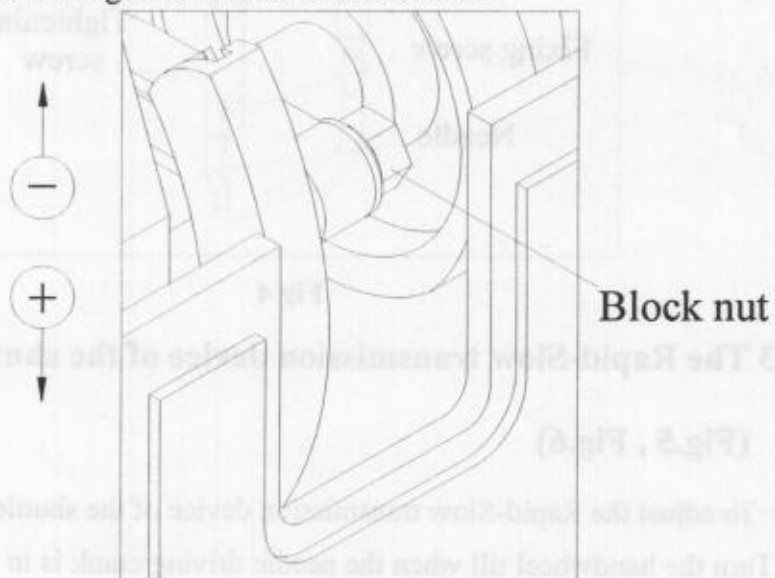
To adjust the horn thread tension, proceed as follows:

- Open the cover located on the frame seat.
- Turn the knurled washer on the (2)tighten wheel as shown on the Fig.2 to adjust the tension of the horn thread.

### 3.4 Stitch length adjustment (Fig.3)

To adjust the stitch length, proceed as follows:

- Open the little cover(500-110) on the frame.
- Loosen the block nut.
- Slide the lever along the sector: upwards to shorten the stitch length, and downwards to lengthen stitch length. (as shown in Fig.3)
- Tighten the block nut again and close the little cover.



**Fig.3**

## 4. REPLACEMENT AND ADJUSTMENT OPERATION

### 4.1 Needle replacement (Fig.4)

To replace the needle, proceed as follows:

- Remove the head cover (500-107).
- Turn the handwheel till when the needle comes to its highest position.
- Loosen the fixing screw (as shown in Fig.4).
- Introduce the new needle in the needle bar pushing it upward as far as it will go.
- Check that the hook of the needle faces at the right side of the operator.
- Tighten the fixing screw after replacement.

### 4.2 Set the lowest position of the needle bar (Fig.4)

To set the lowest position of the needle bar, proceed as follows:

- Put the needle bar in its lowest possible position, turning the handwheel.
- Loosen the two tightening screw of the needle clamp (500-304).
- Move the needle bar to its correct position: The tip of the hook on the needle is as high as the top of the horn pipe.

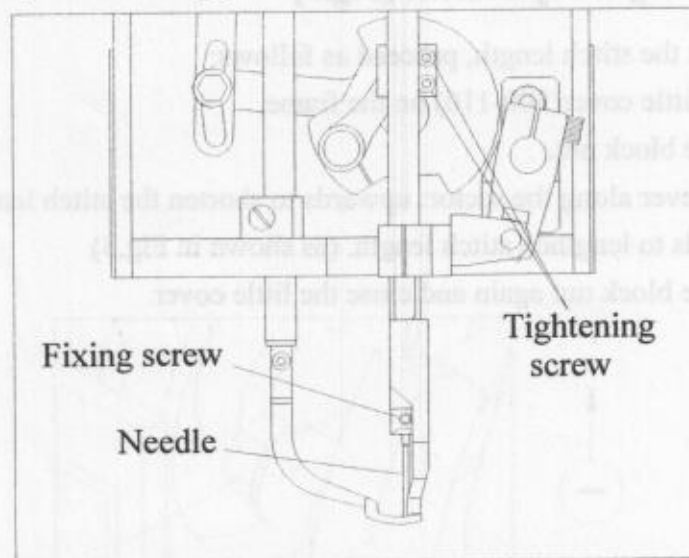


Fig 4

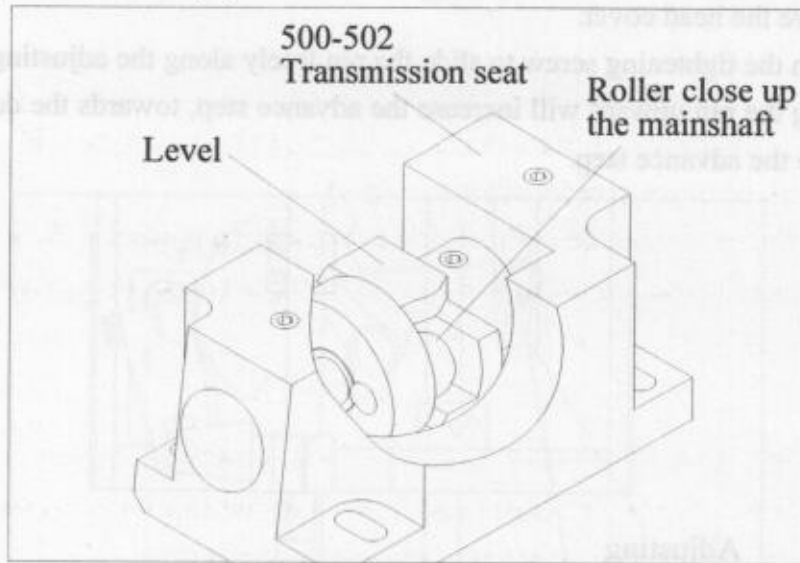
### 4.3 The Rapid-Slow transmission device of the shuttle adjustment

#### (Fig.5 , Fig.6)

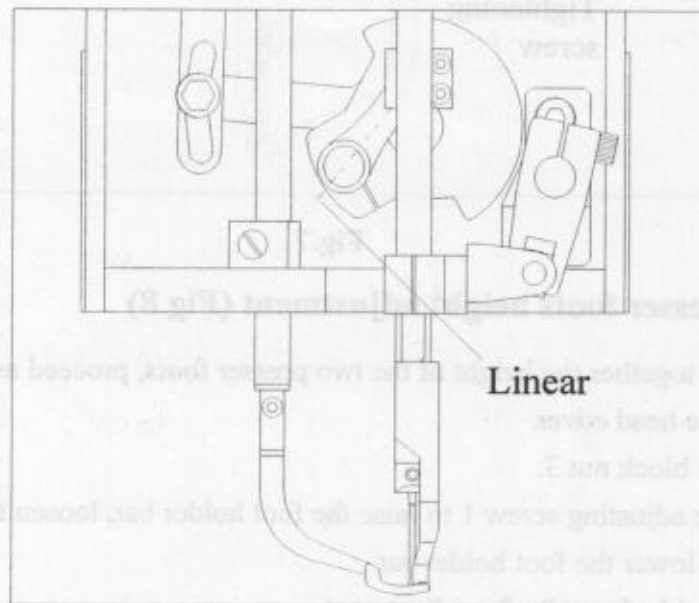
To adjust the Rapid-Slow transmission device of the shuttle, proceed as follows:

- Turn the handwheel till when the needle driving crank is in the position as shown in Fig.6.

- In this position, the plate of the driving block of the Rapid-Slow transmission device is on the level, and the roller in the driving block is close up the main shaft.(as shown in Fig.5)



**Fig.5**



**Fig.6**

#### **4.4 The Take-up lever adjustment**

To adjust the position of the Take-up lever, proceed as follows:

- Turn the handwheel till when the plate of the driving block of the Rapid-Slow transmission device is on the level and the roller in the driving block is close up the main shaft. (as shown in Fig.5)
- In this position, the thread Take-up lever comes downward from the highest position about 2mm.

#### 4.5 The foot bars advance step adjustment (Fig.7)

To adjust the foot bars advance step, proceed as follows:

- Remove the head cover.
- Loosen the tightening screw to slide the pin freely along the adjusting bracket.
- Sliding the pin upward will increase the advance step, towards the downward will reduce the advance step.

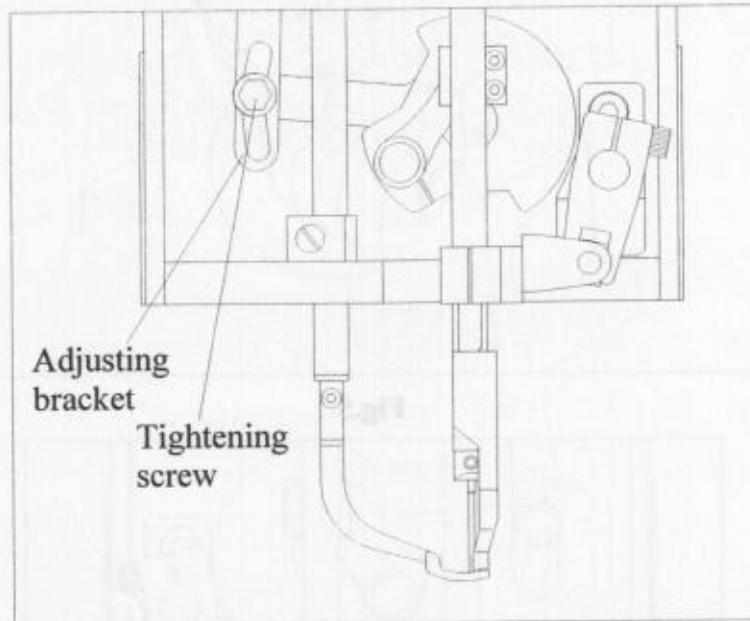


Fig.7

#### 4.6 The presser foots height adjustment (Fig.8)

To adjust together the height of the two presser foots, proceed as follows:

- Remove the head cover.
- Loosen the block nut 3.
- Tighten the adjusting screw 1 to raise the foot holder bar, loosen the adjusting screw 1 to lower the foot holder bar.
- Tighten the block nut 3 after adjustment.

In alternative, to adjust the left presser foot (little presser foot), proceed as follows:

- Remove the head cover.
- Loosen the two tightening screw 5.
- Adjust the height of the left presser foot (little presser foot).
- Tighten the two tightening screw 5 after adjustment.

In alternative, to adjust the right presser foot (big presser foot), proceed as follows:

- Remove the head cover.
- Loosen the two tightening screw 6.
- Adjust the height of the right presser foot (big presser foot).
- Tighten the two tightening screw 6 after adjustment.

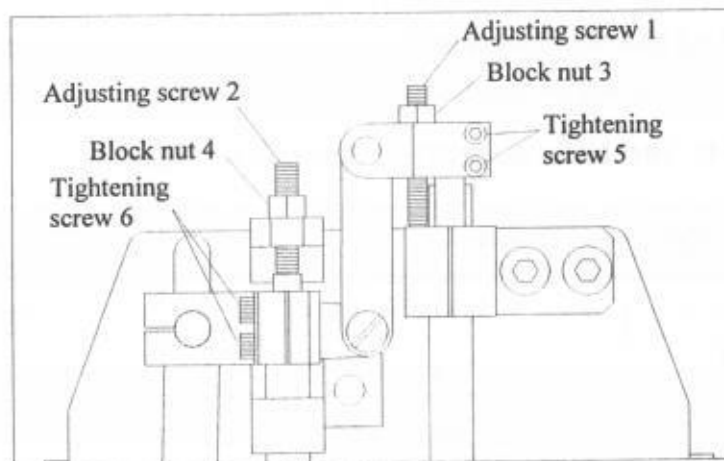


Fig.8

#### 4.7 Right presser foots pressure adjustment

To adjust the presser foots pressure, proceed as follows:

- Remove the head cover.
- Loosen the block nut 4.
- Turn the adjusting screw 2 in an anti-clockwise direction to reduce the pressure, and in a clockwise to increase the pressure.
- Tighten the block nut 4 after adjustment.

#### 5. SM-7500 EQUIPPED WITH "A" OR "B" HORNS

According to user's need, the machine can be equipped with Horn "A" or Horn "B". Horn "A" is used for side stitching of the shoes and boxsoles, also for stitch surmounting the tip of the upper. Horn "B" is only used for side stitching of the shoes or boxsoles.

## 6. MACHINE MAINTENANCE

A careful maintenance represents an important factor for a longer life of the machine under the best functioning and performing conditions.

The machine must be lubricated at the end of each work shift. Special care and attention must be paid when lubricating all rotating and sliding parts. Other machine parts must be lubricated each week.

Always keep the machine clean and clean the important parts as horn tip, shuttle and shuttle seat etc. at the end of the each shift.

Check and oil the machine carefully is requested when it is reused after time. Test run with a low speed are requested too.

### 6.1 Spare parts and tools supplied with the machine

Below is the spare parts list

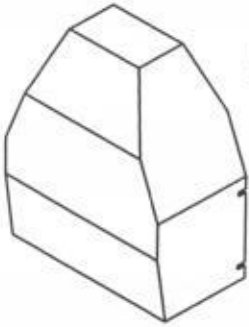
Fig. No.	Machine part	Quantity
500-347	Loop opener	1
500-620	Thin horn tube	2
SF40-47	Bobbin	2
SF40-48-2	Spring sheet of bobbin housing	2
	Needle (4035/195)	10

Below is the tools list

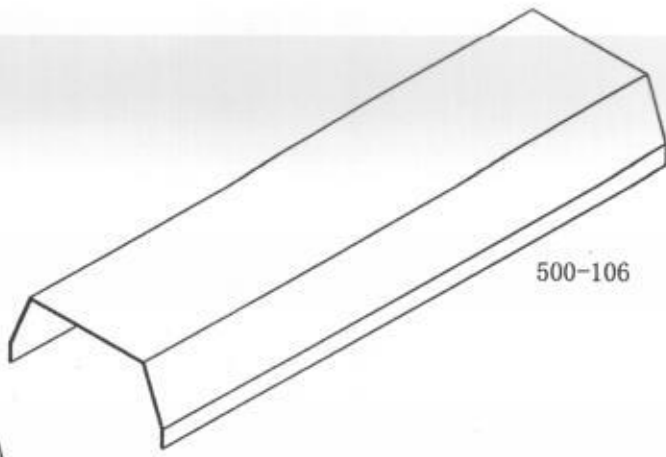
Name of the tool	Quantity
Screwdriver (5×200)	1
Complete set of Allen wrenches (1.5-10mm)	1set
T-Allen wrench (3mm/4mm/5mm)	1 each kind
Open spanner (6-7/8-10)	1 each kind
Special tweezers	1
Oiler	1
Instruction manual	1

*Parts  
Drawing*

500-107



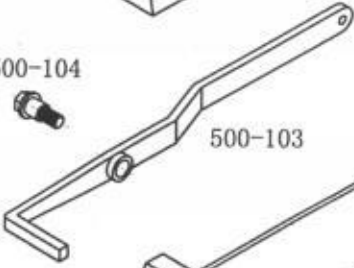
500-106



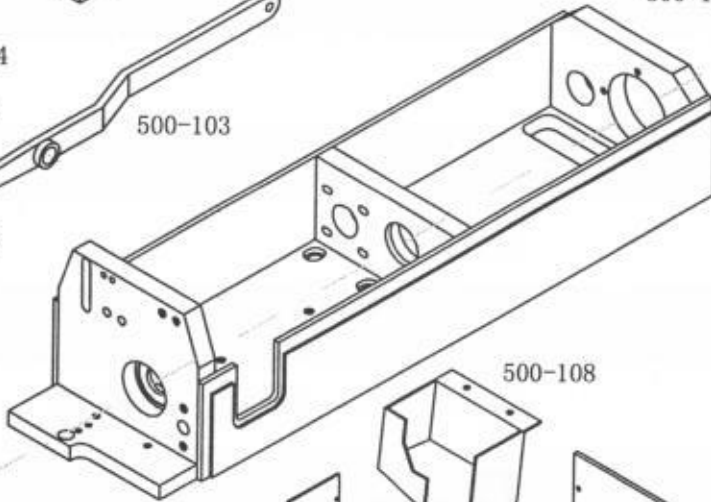
500-104



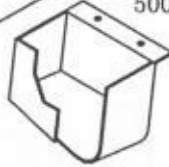
500-103



500-101



500-108



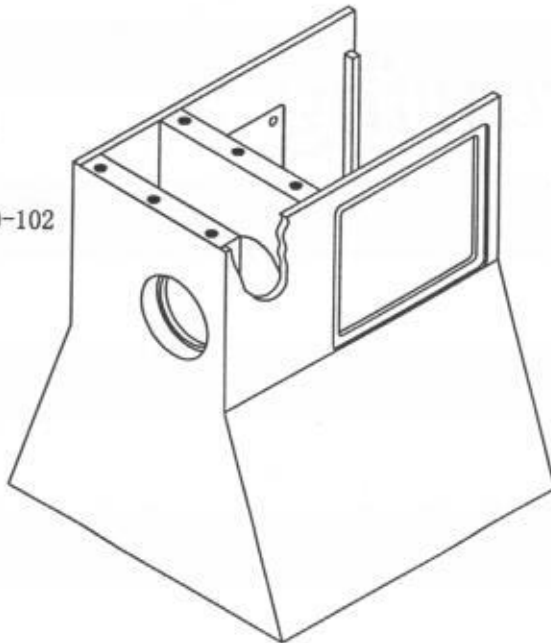
500-110



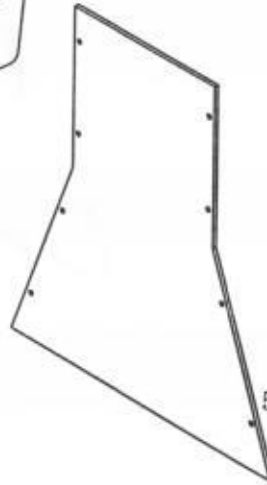
500-111



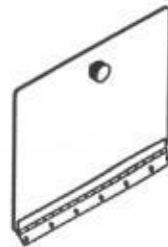
500-102



500-105



500-109







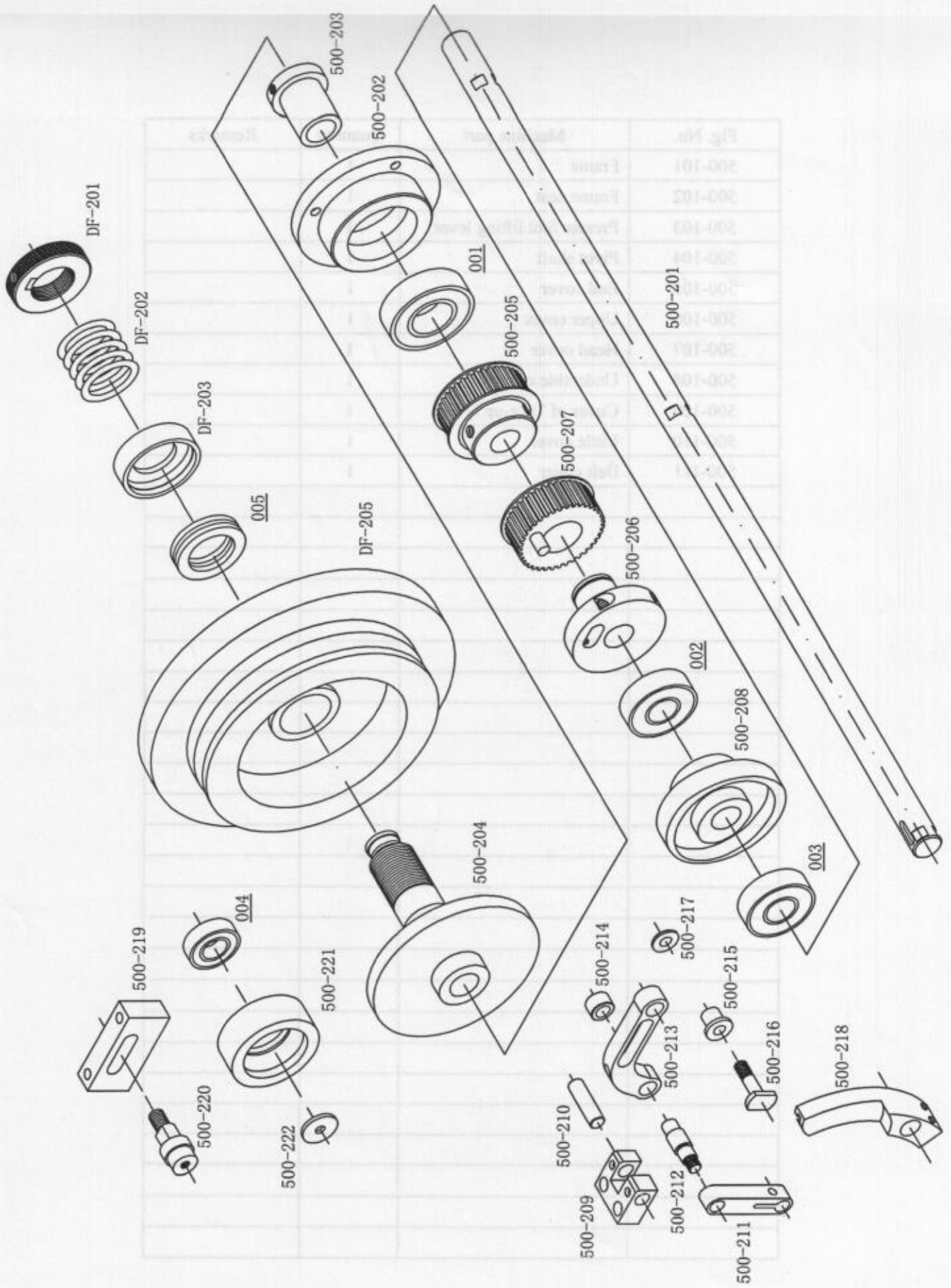


Fig. No.	Machine part	Quantity	Remarks
500-201	Main shaft	1	
500-202	Bearing seat	1	
500-203	Bushing	1	
500-204	Clutch bushing	1	
500-205	Synchronous belt wheel	1	
500-206	Driving bushing	1	
500-207	Synchronous belt wheel	1	
500-208	Cam of transport	1	
500-209	Seat	1	
500-210	Pin	1	
500-211	Connecting lever	1	
500-212	Pin	1	
500-213	Connecting lever	1	
500-214	Roller	1	
500-215	Copper bushing	1	
500-216	Sliding pin	1	
500-217	Washer	1	
500-218	Sector	1	
500-219	Bracket	1	
500-220	Brief shaft	1	
500-221	Frapping wheel	1	
500-222	Washer	1	
DF-201	Setting knob	1	
DF-202	Spring	1	
DF-203	Bearing protector	1	
DF-205	Handwheel	1	
001	Bearing 62/28	1	Ø58×Ø28×16
002	Bearing 6204	1	Ø47×Ø20×14
003	Bearing 6304	1	Ø52×Ø20×15
004	Bearing 6003	2	Ø35×Ø17×10
005	Bearing 8106	1	Ø47×Ø30×11

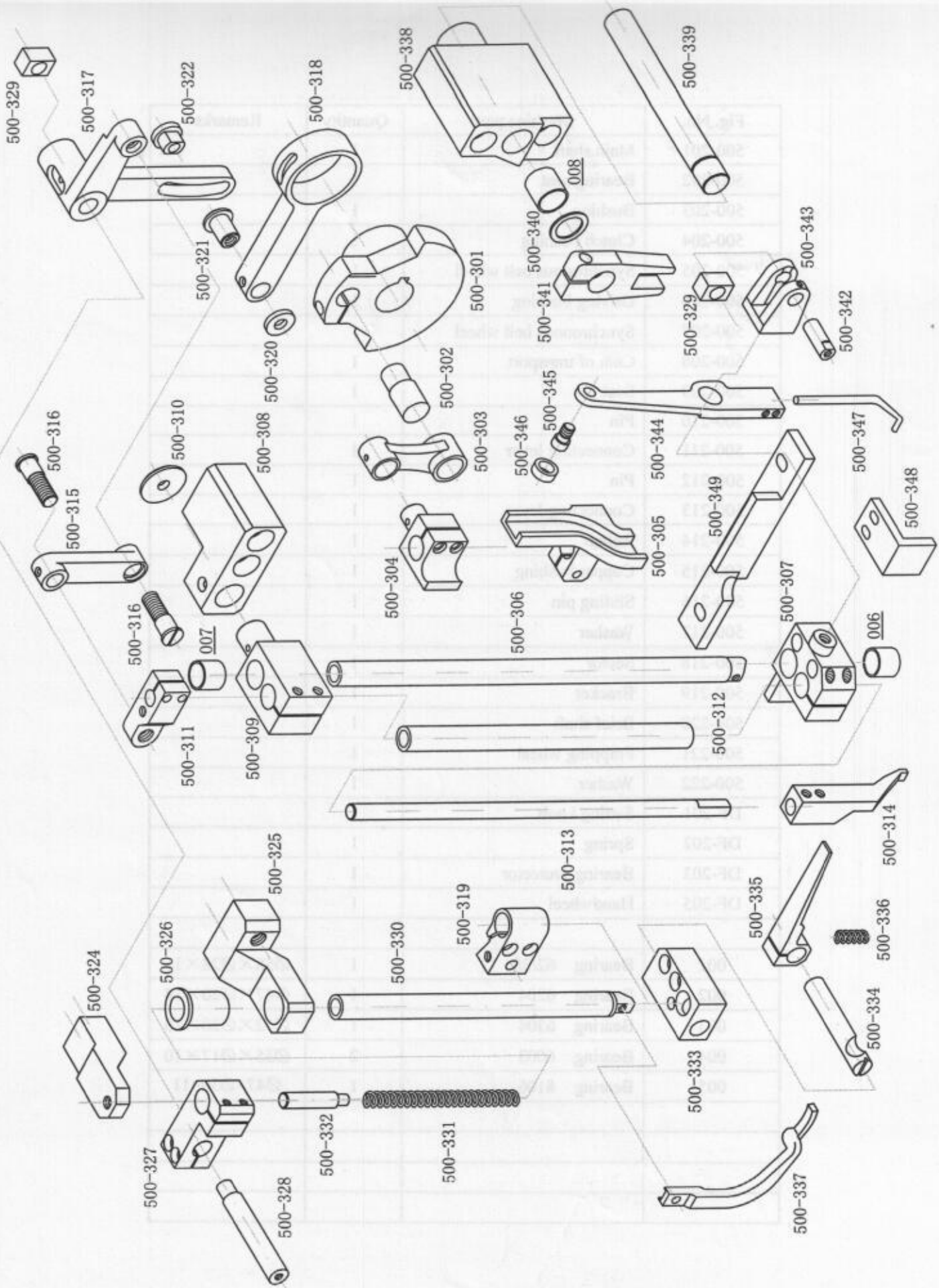


Fig. No.	Machine part	Quantity	Remarks
500-301	Needle driving clank	1	
500-302	Pin	1	
500-303	Connecting lever	1	
500-304	Needle bar holdfast	1	
500-305	Loop opener driving sector	1	
500-306	Needle bar	1	
500-307	Lower bracket	1	
500-308	Housing	1	
500-309	Upper bracket	1	
500-310	Washer	2	
500-311	Holdfast	1	
500-312	Housing	1	
500-313	Left presser foot bar	1	
500-314	Left presser foot	1	
500-315	Connecting lever	1	
500-316	Screw	2	
500-317	Sector	1	
500-318	Connecting lever	1	
500-319	Presser foot lifting holdfast	1	
500-320	Washer	1	
500-321	Rod	1	
500-322	Sliding block	1	
500-324	Bracket	1	
500-325	Bracket	1	
500-326	Copper bushing	2	
500-327	Holdfast	1	
500-328	Rod	1	
500-329	Sliding block	1	
500-330	Right presser foot bar	1	
500-331	Spring	1	
500-332	Acting rod	1	
500-333	Bracket	1	
500-334	Lock rod	1	
500-335	Acting lever	1	
500-336	Spring	1	
500-337	Right presser foot	1	
500-338	Housing	1	
500-339	Transporting shaft	1	
500-340	Washer	1	
500-341	Fork	1	
500-342	Pin	1	
500-343	Bracket	1	
500-344	Loop opening lever	1	
500-345	Roller pin	1	
500-346	Roller	1	
500-347	Loop opener	1	
500-348	Left clamping block	1	
500-349	Right clamping block	1	
006	Side bushing SF1210	2	Ø14×Ø12×10
007	Side bushing SF1212	4	Ø14×Ø12×12
008	Side bushing SF1415	2	Ø16×Ø14×15

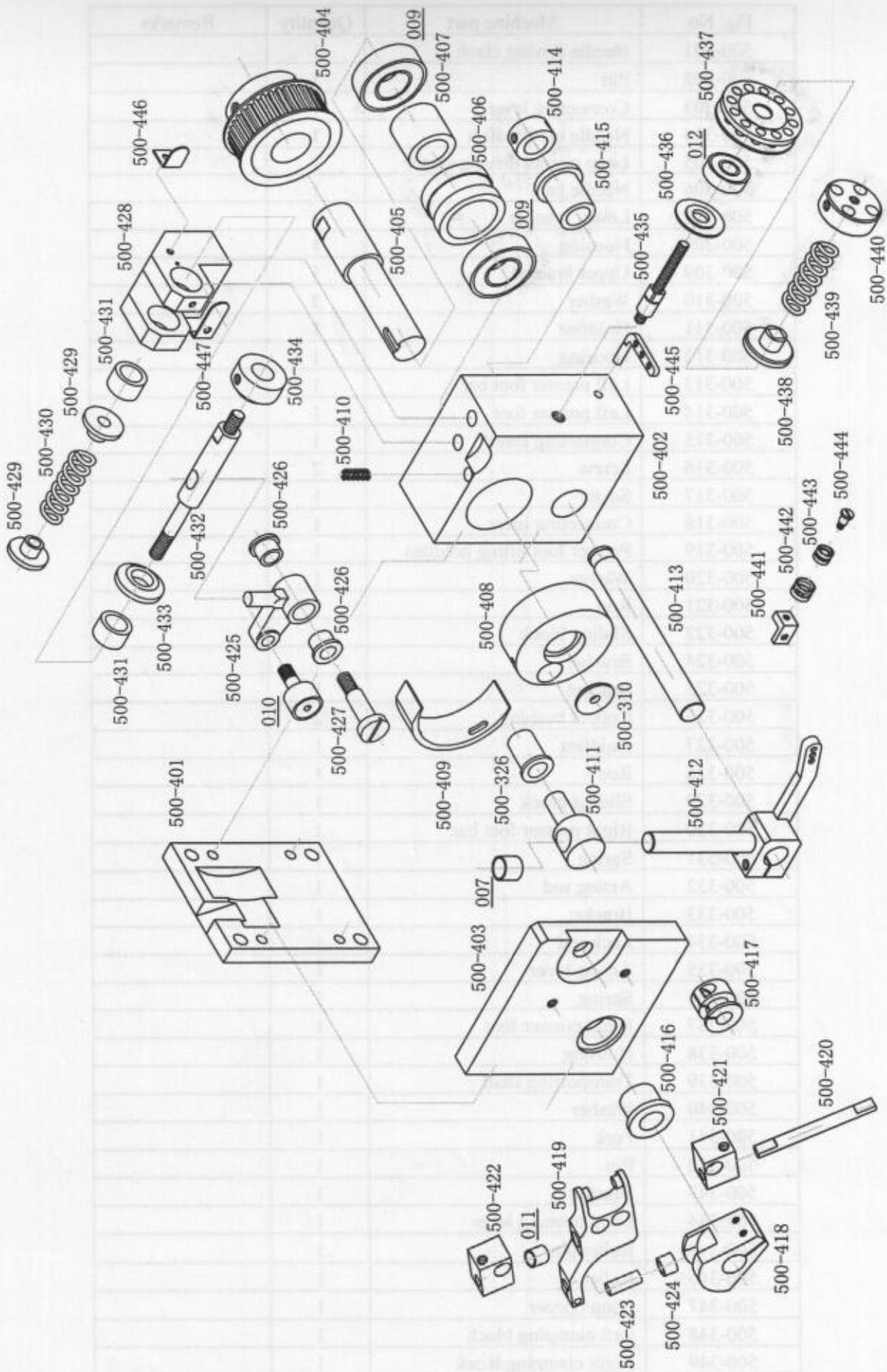


Fig. No.	Machine part	Quantity	Remarks
500-401	Connecting plate	1	
500-402	Supporting block	1	
500-403	Supporting plate	1	
500-404	Synchronous belt wheel	1	
500-405	Shaft	1	
500-406	Bushing	1	
500-407	Bushing	1	
500-408	Crank for thread take-up	1	
500-409	Brake thread acting block	1	
500-410	Spring	1	
500-411	Rod	1	
500-412	Thread take-up lever	1	
500-413	Shaft	1	
500-414	Thrust ring	1	
500-415	Copper bushing	1	
500-416	Copper bushing	1	
500-417	Driving ring	1	
500-418	Cam	1	
500-419	Driving fork	1	
500-420	Rod	1	
500-421	Supporting block	1	
500-422	Supporting block	1	
500-423	Roller pin	1	
500-424	Roller	1	
500-425	Rocker	1	
500-426	Bushing	2	
500-427	Screw rod	1	
500-428	Bracket	1	
500-429	Spring seat	2	
500-430	Spring	1	
500-431	Bushing	2	
500-432	Shaft	1	
500-433	Thread braking ring	1	
500-434	Thread braking ring	1	
500-435	Threading wheel rod	1	
500-436	Washer	1	
500-437	Threading wheel	1	
500-438	Spring seat	1	
500-439	Spring	1	
500-440	Setting knob	1	
500-441	Bracket	3	
500-442	Threading wheel housing	3	
500-443	Threading wheel	3	
500-444	Screw pin	3	
500-445	Threading rod	1	
500-446	Thread shield	1	
500-447	Thread shield	1	
009	Bearing 6004	2	Ø42×Ø20×12
010	Bearing CF8-A	2	Ø19×12×M8
011	Side bushing SF0810	3	Ø10×Ø8×10
012	Bearing 6000	1	Ø26×Ø10×8

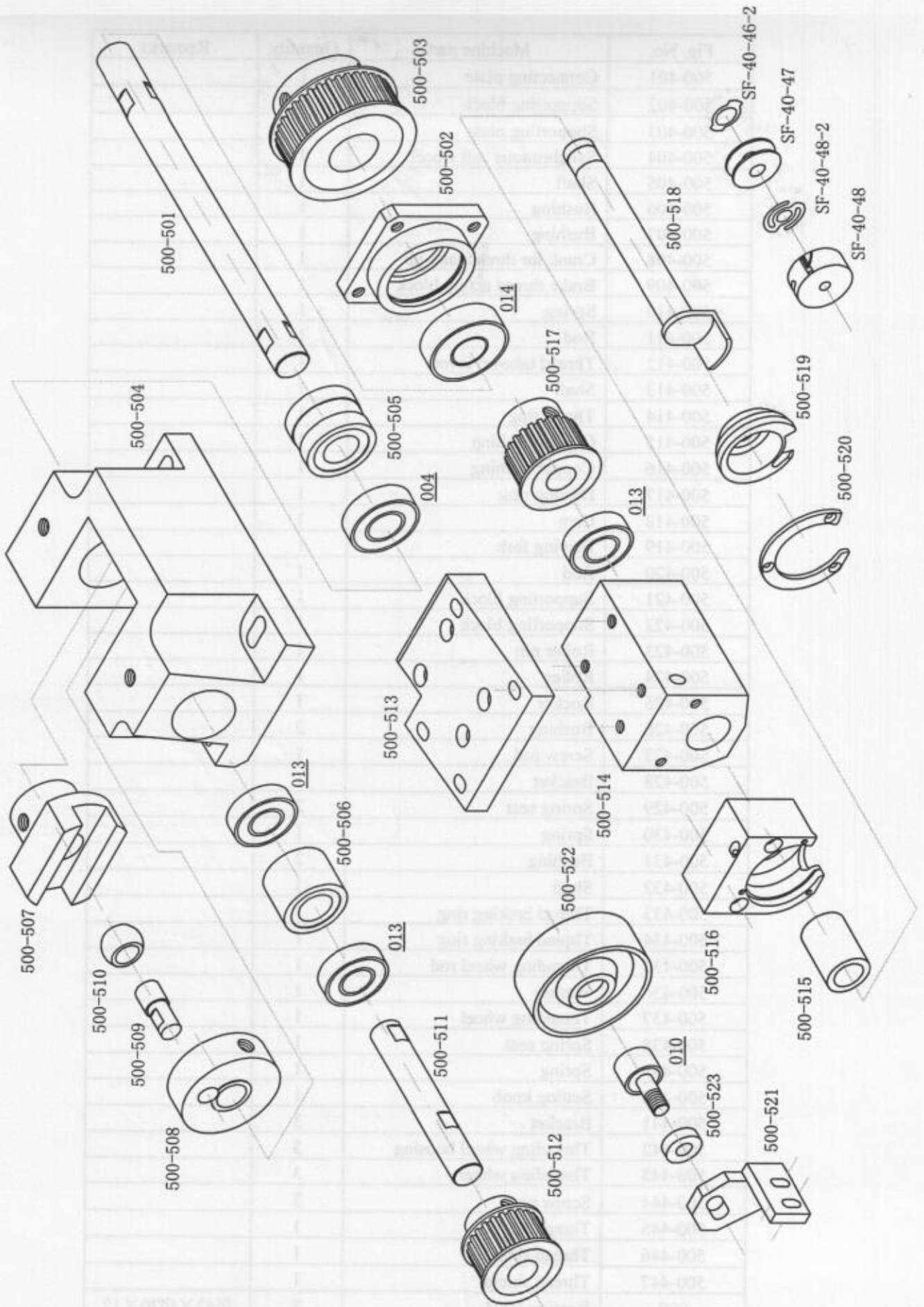




Fig. No.	Machine part	Quantity	Remarks
500-501	Shaft	1	
500-502	Bearing housing	1	
500-503	Synchronous belt wheel	1	
500-504	Transmission seat	1	
500-505	Thrust ring	1	
500-506	Thrust ring	1	
500-507	Driving block	1	
500-508	Shuttle driving wheel	1	
500-509	Roller pin	1	
500-510	Roller	1	
500-511	Brief shaft	1	
500-512	Synchronous belt wheel	1	
500-513	Base plate	1	
500-514	Base block	1	
500-515	Copper bushing	1	
500-516	Shuttle housing	1	
500-517	Synchronous belt wheel	1	
500-518	Shuttle driver	1	
500-519	Shuttle	1	
500-520	Cover plate	1	
500-521	Bracket	1	
500-522	Frapping wheel	1	
500-523	Washer	1	
SF-40-46-2	Spring sheet of shuttle	1	
SF-40-47	Bobbin	1	
SF-40-48	Bobbin housing	1	
SF-40-48-2	Spring sheet of bobbin housing	1	
013	Bearing 6002	3	Ø32×Ø15×9
014	Bearing 1203	1	Ø40×Ø17×12

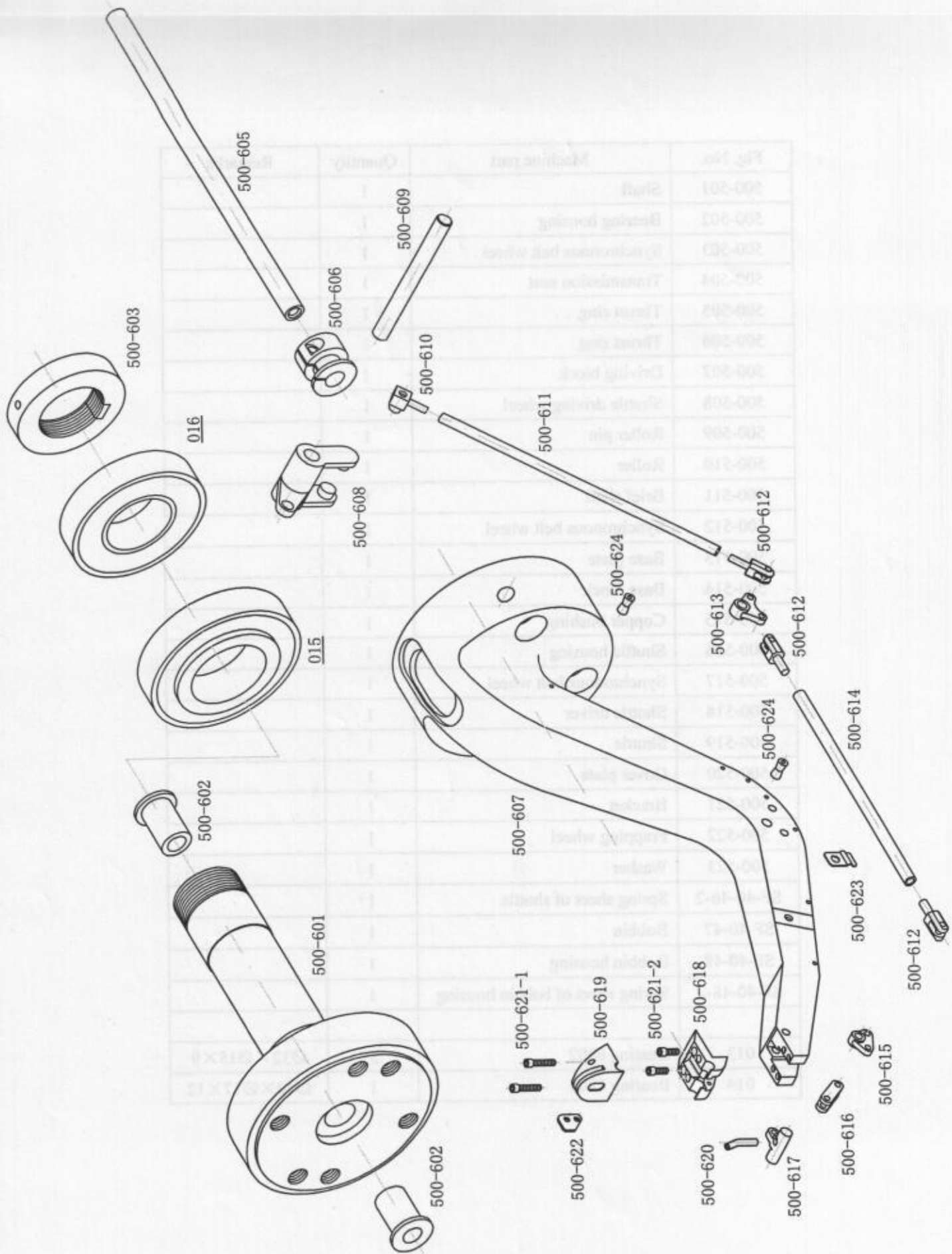


Fig. No.	Machine part	Quantity	Remarks
500-601	Horn shaft	1	
500-602	Copper bushing	2	
500-603	Lock nut	1	
500-605	Threading shaft	1	
500-606	Driving ring	2	
500-607	Horn "A"	1	
500-608	Rocker	1	
500-609	Pin	2	
500-610	Connector	4	
500-611	Connecting rod	1	
500-612	Connector	6	
500-613	Deltoid connecting lever	1	
500-614	Connecting rod	1	
500-615	Deltoid connecting lever	2	
500-616	Little connecting lever	1	
500-617	Horn pipe seat	2	
500-618	Horn tip cover base	1	
500-619	Horn tip cover	2	
500-620	Horn pipe	2	
500-621	Screw	6	
500-622	Thread blocking sheet	2	
500-623	Thread clipping sheet	2	
500-624	Threading wheel	7	
500-625	Cover plate	1	
015	Bearing 30208	1	Ø80×Ø40×18
016	Bearing 30207	1	Ø72×Ø35×17

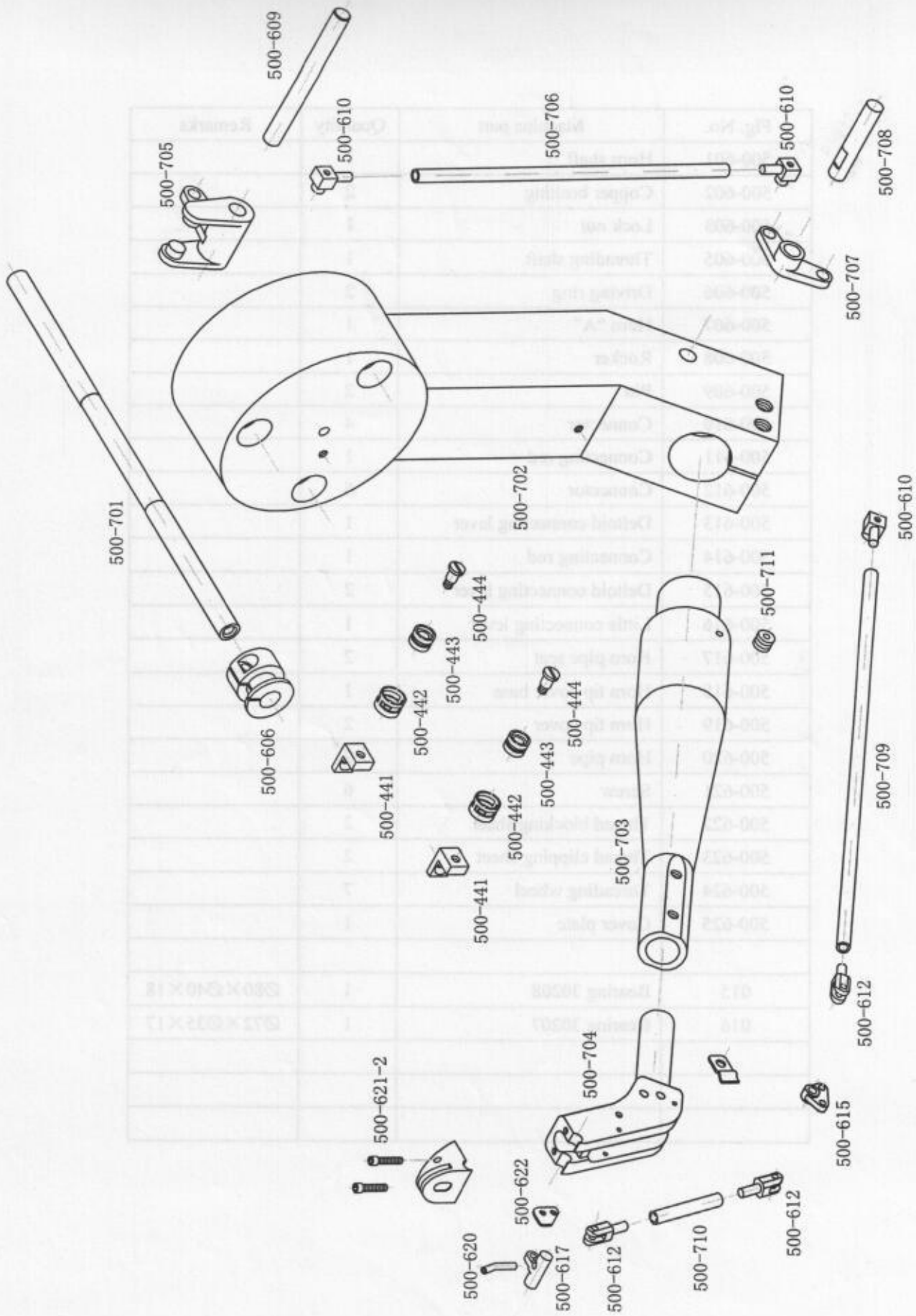


Fig. No.	Machine part	Quantity	Remarks
500-701	Threading shaft	1	
500-702	Horn seat	1	
500-703	Connecting housing	1	
500-704	Horn tip seat	1	
500-705	Rocker	1	
500-706	Connecting rod	1	
500-707	Deltoid connecting lever	1	
500-708	Pin	1	
500-709	Connecting rod	1	
500-710	Connecting rod	1	
500-711	Threading wheel	1	

