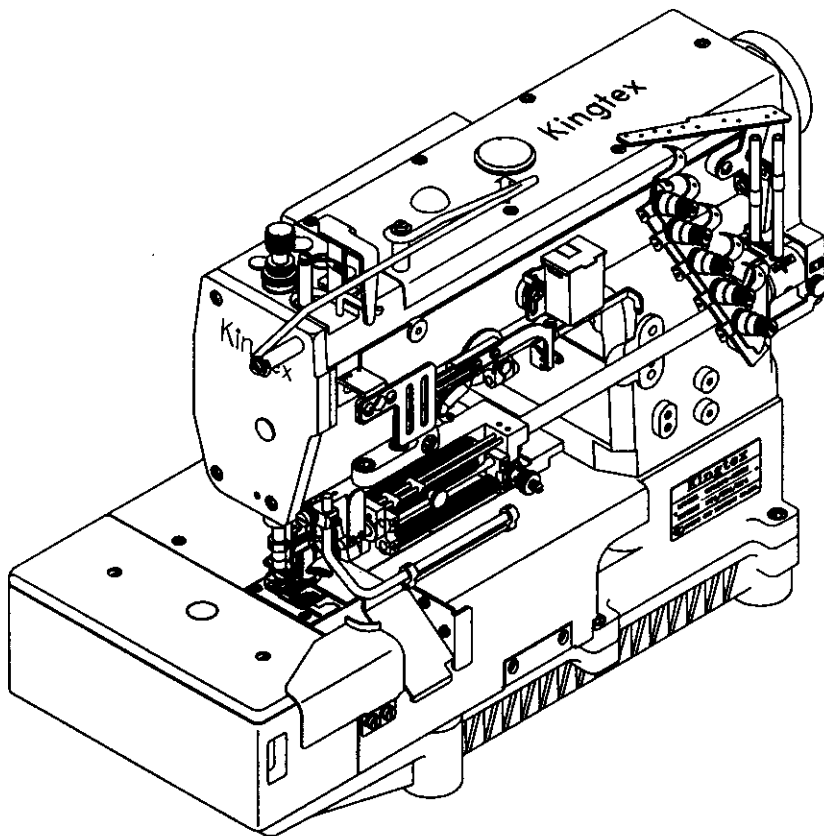




Ver. 1.0 2003.12
NO. FT6301-1D-03-12



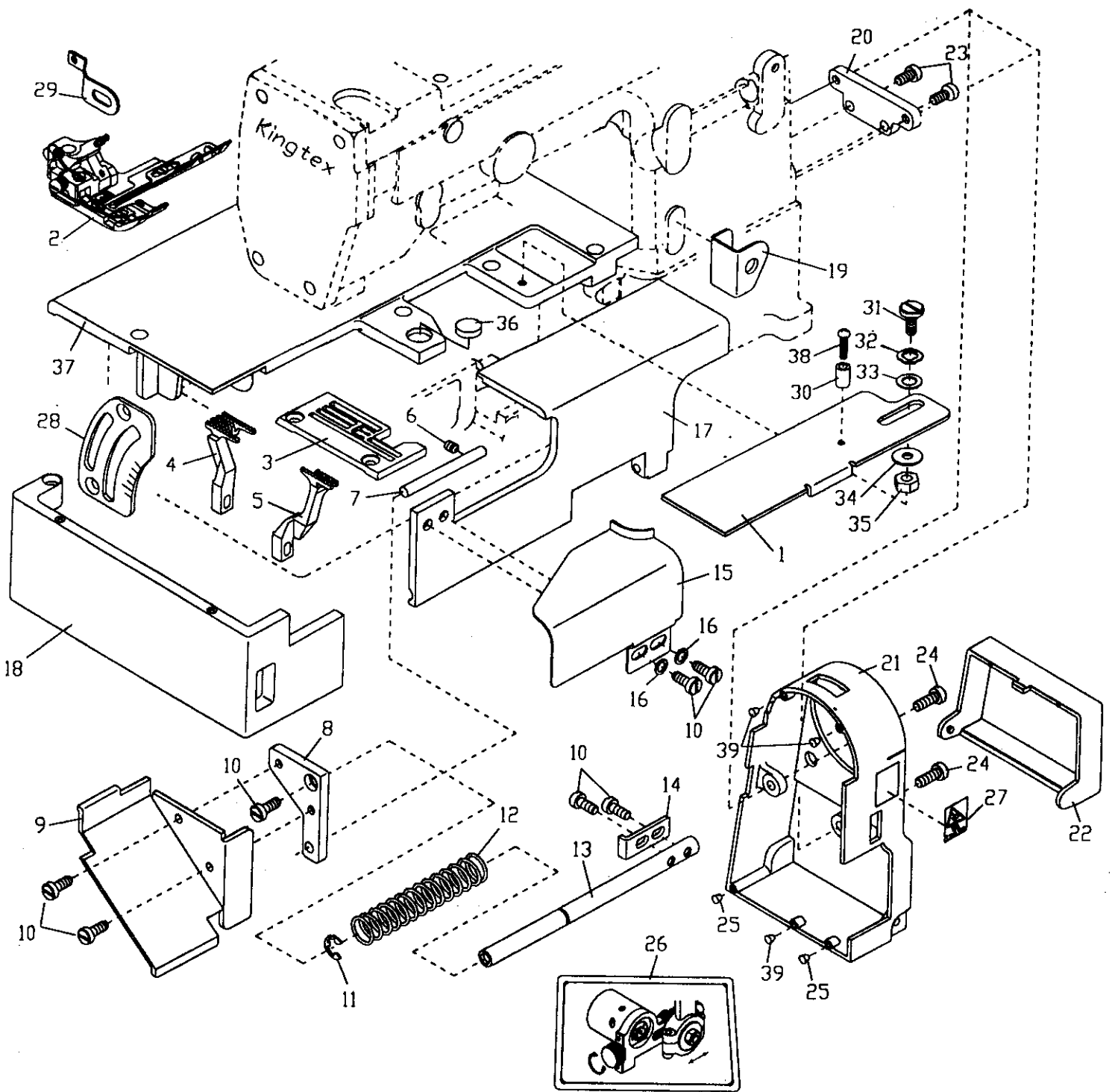
MODEL
FB2553 TMD

**HIGH SPEED FLAT BED
INTERLOCK MACHINE**

PARTS LIST

1 壓腳, 針板, 送布齒及各項護蓋

Press Foot Needle Plate Feed Dog And Conservation Covers



2. 壓腳編號列表 Press Foot

壓腳針距 Press foot	圖號 Parts No.
4.0	5221PF09404 (PFF09404)
4.8	5221PF09484 (PFF09484)
5.6	5221PF09564 (PFF09564)
6.4	5221PF09644 (PFF09644)

3. 針板編號列表 Needle Plate

針板針距 Thread plate	圖號 Parts No.
4.0	5221TP09400 (TPF09400)
4.8	5221TP09480 (TPF09480)
5.6	5221TP09561 (TPF09561)
6.4	5221TP09641 (TPF09641)

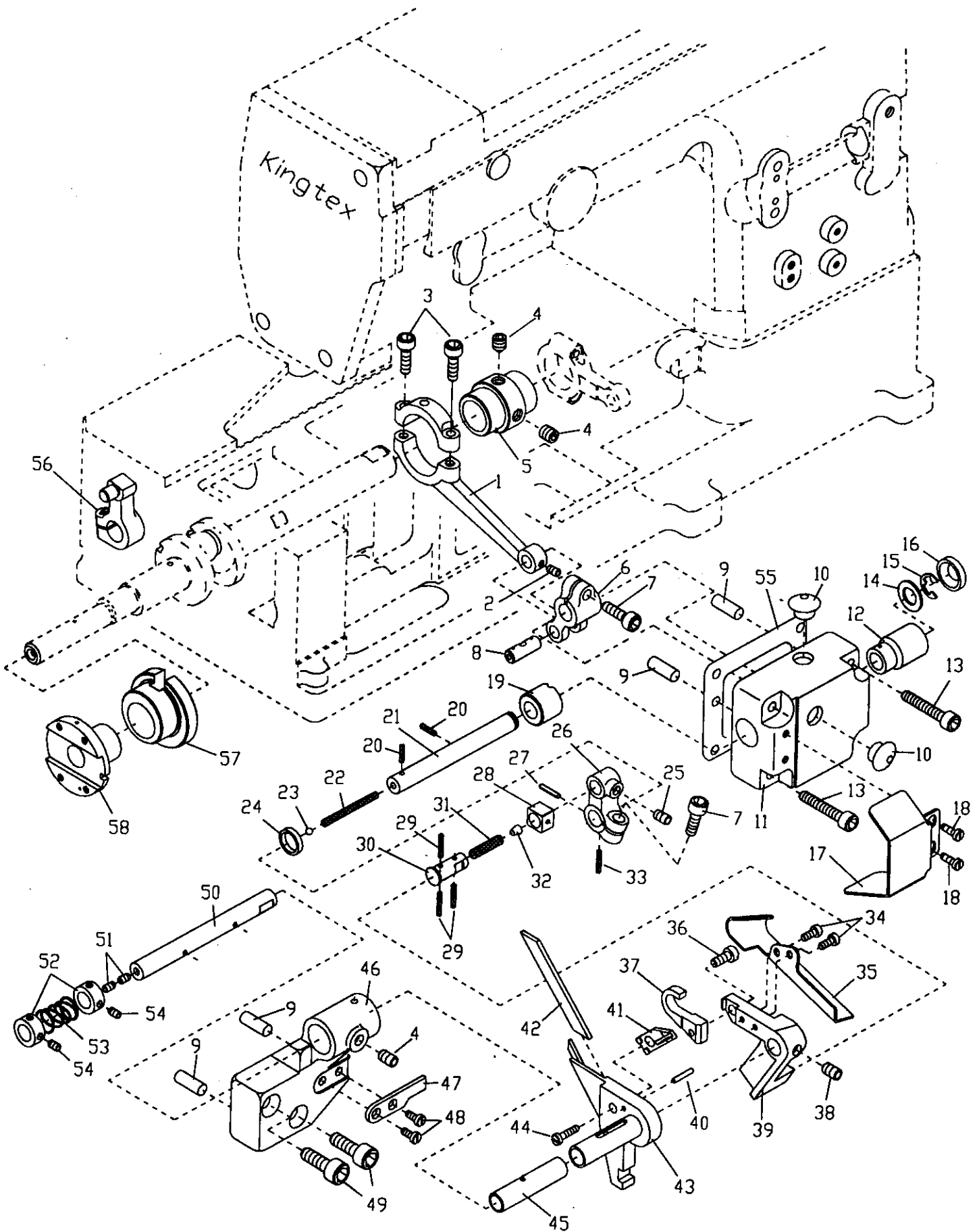
1.壓腳,針板,送布齒及各項護蓋列表

Press Foot, Needle Plate, Feed Dog And Conservation Covers

序號 Ref.No.	物料編號 Parts No.	對應原號 Parts No.	名稱 Description	單位用量 Amt. Req.
1	2210090101	F090101B700	護線蓋 Cloth Plate -----	1
2	-----	-----	壓腳 Presser Foot Asm -----	1
3	-----	-----	針板 Needle Plate -----	1
4	5221FD39560	FDF39560	主送布齒 Main Feed Dog -----	1
5	5221DF09560	DFF09560	副送布齒 Diff Feed Dog -----	1
6	8MN04280400A	MN04280400A	螺絲 Screw (CT0229 M4-0.7*4) -----	1
7	52210090107	F090107D300	導桿 Slide Guide -----	1
8	52210090108	F090108B700	固定板 Cover Support -----	1
9	52210090109	F090109C700	導布屑 Chip Guide -----	1
10	8MB04281007K	MB04281007K	螺絲 Screw (CT1237 M4-0.7*10) -----	7
11	90ER060	F000532ER	E形扣環 E Ring (CT0532)-----	1
12	2210090112	F090112B800	彈簧 Spring -----	1
13	2210090113	F090113D300	滑桿 Slide Bar -----	1
14	2210090114	F090114B700	止動片 Stopper -----	1
15	2210090115	F090115C700	導模 Edge Guide -----	1
16	2200000232	C000232PW	墊圈 Washer (CT0232) -----	2
17	2210090117	F090117C200	下座前蓋 Front Cover -----	1
18	2210090118	F090118C200	側蓋 Side Cover -----	1
19	2210090119	F090119B700	底線護線罩 Thread Protect Plate -----	1
20	2210390120	F390120	承座 Seat -----	1
21	2210390121	F390121	連桿護罩 Cover -----	1
22	2210390122	F390122	護蓋 Cover -----	1
23	2210390123	F390123	螺絲 Screw -----	2
24	2210390124	F390124	螺絲 Screw -----	2
25	2210390125	F390125	減震橡膠 Rubber Cushion -----	2
26	2210390126	F390126	貼紙 Label -----	1
27	2210390127	F390126	貼紙 Label -----	1
28	2210390128	F390128	差動刻記板 Regulator Plate -----	1
29	2210390129	F390129	護指環 Safety Plate Holder -----	1
30	2210090120	F090120	手柄 Spacer -----	1
31	2210090121	F090121	螺絲 Screw -----	1
32	2210090122	F090122	波型墊圈 Wave Washer -----	1
33	2200000910	C000910	墊圈 Washer (CT0910)-----	1
34	2210090124	F090124	墊圈 Washer -----	1
35	2210090125	F090125	螺帽 Nut -----	1
36	2210090126	F090126	磁鐵 Magnet -----	1
37	2210090127	F090127	封蓋 Rear Cover -----	1
38	8MC03201306D	MC03201307D	螺絲 Screw (UTB0335 M3-0.5*12.5) -	1
39	2210390139	F390139	減震橡膠 Rubber Cushion -----	3

2 上,下刀驅動機構

Right Hand U pier And Lower Knifes Driving Mechanise Components



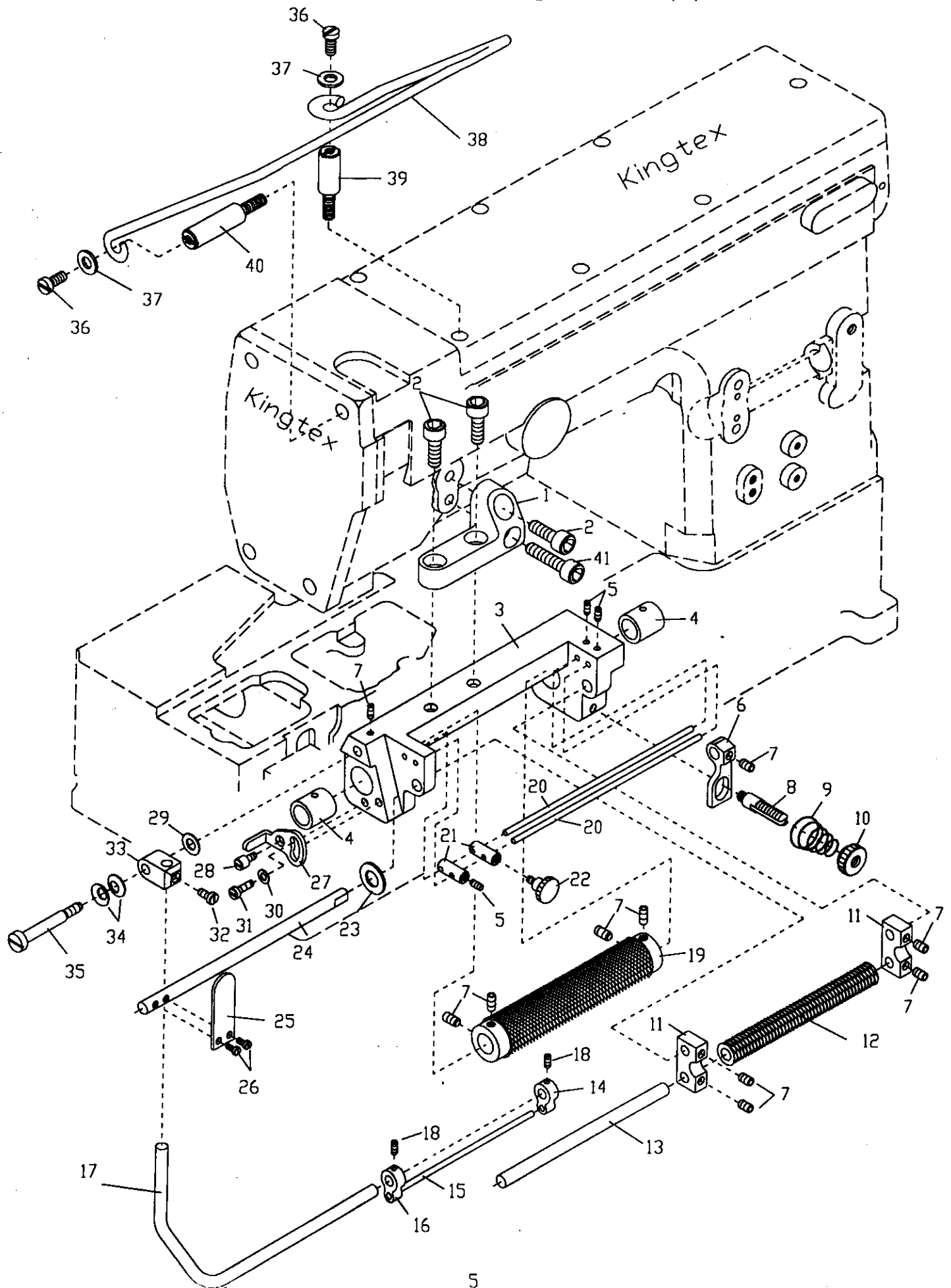
2.上,下刀驅動機構列表

Right Hand Uppier And Lower Knifes Driving Mechanise Components

序號	物料編號	對應原號	名稱	單位用量
Ref.No.	Parts No.	Parts No.	Description	Amt. Req.
1	2210090201	F090201E200	連桿 Connecting Rod -----	1
2	8MN03200400C	MN03200400C	螺絲 Screw (CT1242 M3-0.5*4)-----	1
3	8MM04281407A	MM04281407A	螺絲 Screw (FT1003 M4-0.7*14) -----	2
4	8MN05320500E	MN05320500E	螺絲 Screw (CT0903 M5-0.8*5) -----	3
5	2210090205	F090205A300	偏心輪 Eccentric -----	1
6	2210090206	F090206E200	曲柄 Lever -----	1
7	8MM05321409A	MM05321409A	螺絲 Screw (CT0632 M5-0.8*114) -----	2
8	2210090208	F090208A300	曲柄銷 Rod Pin -----	1
9	2210090209	F090209ST	定位銷 Knock Pin -----	4
10	2200000109	C000109A600	孔塞 Seal Plug -----	2
11	2210090211	F090211A200	軸承座 Bracket -----	1
12	2210090212	F090212G300	軸襯 Bushing -----	1
13	8MM04282507B	MM04282507B	螺絲 Screw -----	4
14	2210000533	F000533B700	墊圈 Washer -----	1
15	90ER060	F000532ER	E形扣環 E Ring -----	1
16	2210090216	F090216A600	孔塞 Plug -----	1
17	2210090217	F090217K700	護蓋 Oil Defender -----	1
18	8MC04280507D	MC04280507D	螺絲 Screw -----	2
19	2210090219	F090219G300	軸襯 Bushing -----	1
20	66800	6800	油線 Oil Wick -----	2
21	2210090221	F090221A300	軸 Shaft -----	1
22	66800	6800	油線 Oil Wick -----	1
23	2210090223	F090223H300	孔塞 Plug -----	1
24	2210090224	F090224A600	油封 Oil Seal -----	1
25	8MN04280400A	MN04280400A	螺絲 Screw -----	1
26	2210090226	F090226E200	曲柄 Lever -----	1
27	90SP0206	C000360SP	彈簧銷 Spring Pin -----	1
28	2210090228	F090228G300	滑塊 Silde Block -----	1
29	66800	6800	油線 Oil Wick -----	3
30	2210090230	F090230A300	連結銷 Connecting Rod -----	1
31	66800	6800	油線 Oil Wick -----	1
32	2210090232	F090232H300	孔塞 Plug -----	1
33	66800	6800	油線 Oil Wick -----	1
34	8MB03200506K	MB03200506K	螺絲 Screw -----	2
35	2210090235	F090235K700	導布屑 Chip Guard -----	1
36	8SC36401007D	SC36401007D	螺絲 Screw -----	1
37	22100902371	F0902371E200	上刀 Upper Knife -----	1
38	8MN06400600A	MN06400600A	螺絲 Screw -----	1
39	2210090239	F090239E200	上刀座 Upper Knife Holder -----	1
40	2210090240	F090240ST	定位銷 Knock Pin -----	1
41	2210090241	F090241B700	壓板 Lower Knife Clamp -----	1
42	2210090242	F090242P700	下刀 Lower Knife -----	1
43	2210090243	F090243E200	下刀座 Lower Knife Holder -----	1
44	8SB44401407A	SB44401407A	螺絲 Screw -----	1
45	2210090245	F090245G300	軸襯 Bushing -----	1
46	2210090246	F090246A200	下刀台 Lower Knife Holder Bracket -----	1
47	2210090247	F090247K700	止動片 Rotation Stopper -----	1
48	8MB04280807K	MB04280807K	螺絲 Screw -----	2
49	8MM06402010A	MM06402010A	螺絲 Screw -----	2
50	2210090250	F090250A300	軸 Shaft -----	1
51	8SN44400400A	SN44400400A	螺絲 Screw -----	2
52	2210090252	F090252D300	定位環 Collar -----	2
53	2210090253	F090253A800	彈簧 Spring -----	1
54	8MN03200400C	MN03200400C	螺絲 Screw -----	4
55	2210090255	F090255	油封 Gasket -----	1
56	2210390256	F390256	曲柄 Lever -----	1
57	2210600135	F600149	變距偏心輪 Regulating Eccentric (FT600135)---	1
58	2210600136	F600150	進給偏心輪 Eccentric(FT600136) -----	1

3 送鬆緊帶傳送機構 (A)

Metering Device Mechanism Components (A)



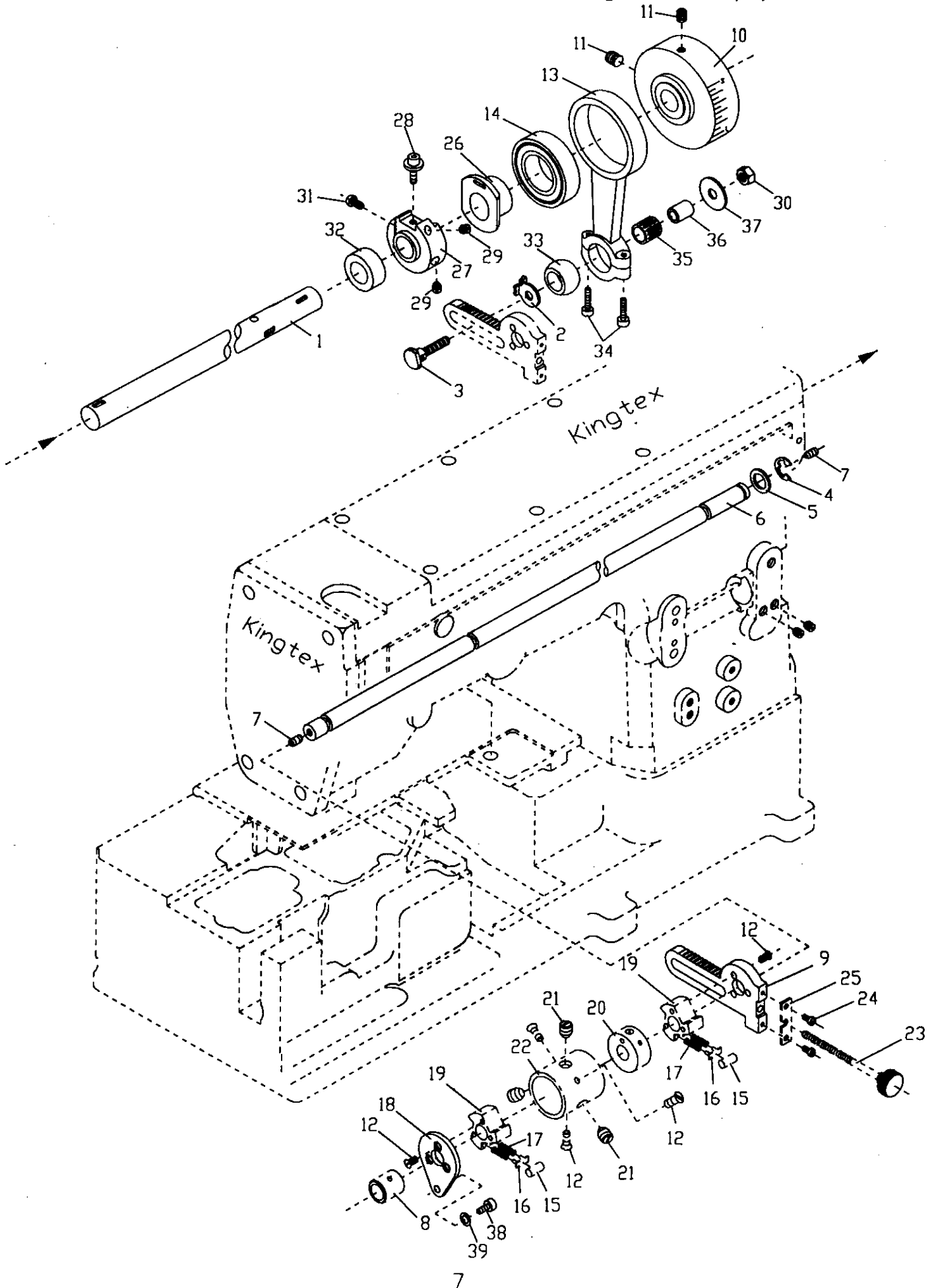
3.送鬆緊帶傳送機構列表 (A)

Metering Device Mechanism Components (A)

序號 Ref.No.	物料編號 Parts No.	對應原號 Parts No.	名稱 Description	單位用量 Amt. Req.
1	2210390301	F390301A200	支架 Roller Holder Bracket -----	1
2	8MM06401610A	MM06401610A	螺絲 Screw (CT0625 M6-1*16)-----	3
3	2210390303	F390303	滾輪支架 Roller Holder -----	1
4	2210090304	F090304G300	軸襯 Bushing -----	2
5	8MN03200300A	MN03200300A	螺絲 Screw (CT0115 M3-0.5*3) -----	3
6	2210090306	F090306E200	調壓臂 Spring Hoider -----	1
7	8MN04280500C	MN04280500C	螺絲 Screw (MT0616 M4-0.7*5)-----	10
8	2210090308	F090308C300	調節螺樁 Stud -----	1
9	2210090309	F090309A800	彈簧 Spring -----	1
10	2210090310	F090310C300	調整螺帽 Adjusting Nut -----	1
11	2210090311	F090311E100	從動滾輪臂 Arm -----	2
12	2210090312	F090312C300	從動滾輪 Tension Roller -----	1
13	2210090313	F090313B300	軸 Shaft -----	1
14	2210090314	F090314D300	右導模 Tape Guide(R) -----	1
15	2210090315	F090315D300	導模滑桿 Tape Guide Bar -----	1
16	2210090316	F090316D300	左導模 Tape Guide(L) -----	1
17	2210090317	F090317B700	導模承桿 Tape Guide Suppert Bar -----	1
18	8MN03200300A	MN03200300A	螺絲 Screw (CT0115 M3-0.5*3) -----	2
19	2210090319	F090319C300	主動滾輪 Feeding Roller -----	1
20	2210090320	F090320D300	導模導桿 Tape Guide Bar -----	2
21	2210090321	F090321D300	導模 Tape Guide -----	2
22	2210090322	F090322C300	固定螺樁 Knob Screw Stud -----	1
23	2210000533	F000533B700	墊圈 Washer -----	1
24	2210090324	F090324D300	軸 Tension Link Shaft -----	1
25	2210090325	F090325K700	釋壓板手 Press Release -----	1
26	8MB03200606K	MB03200606K	螺絲 Screw (CT1207 M3-0.5*6) -----	2
27	2210090327	F090327K700	限位片 Holder -----	1
28	2210090328	F090328	螺絲 Screw -----	1
29	2200000232	C000232PW	墊圈 Washer (CT0232) -----	1
30	2200000232	C000232PW	墊圈 Washer (CT0232) -----	1
31	8MB04281007K	MB04281007K	螺絲 Screw (CT1237 M4-0.7*10) -----	1
32	8SB44400807A	SB44400807A	螺絲 Screw (SH0309 11/64"-40*8) -----	1
33	2210090333	F090333E100	接頭 Joint -----	1
34	2200000228	C000228B700	彈簧墊圈 Conical Spring Washer (CT0228) -----	2
35	8MB04283809E	MB04283809E	螺樁 Stud (CT0227 M4-0.7*38) -----	1
36	8MC04281207D	MC04281207D	螺絲 Screw(CT0102 M4-0.7*12) -----	2
37	2200000232	C000232	墊圈 Washer (CT0232) -----	2
38	4TB0000101	FTB0101D800	帶架 Tape Holder (FTB0101)-----	1
39	2210600116	F600116C300	螺樁 Stud (FT600116) -----	1
40	4TB000103	FTB0103C300	螺樁 Stud (FTB0103) -----	1
41	8MM06402010A	MM06402010A	螺絲 Screw (SH0444 M6-1*20) -----	1
42	2210390342	F390342G300	軸襯 Bushing -----	1

4 送鬆緊帶傳送機構 (B)

Metering Device Mechanism Components(B)



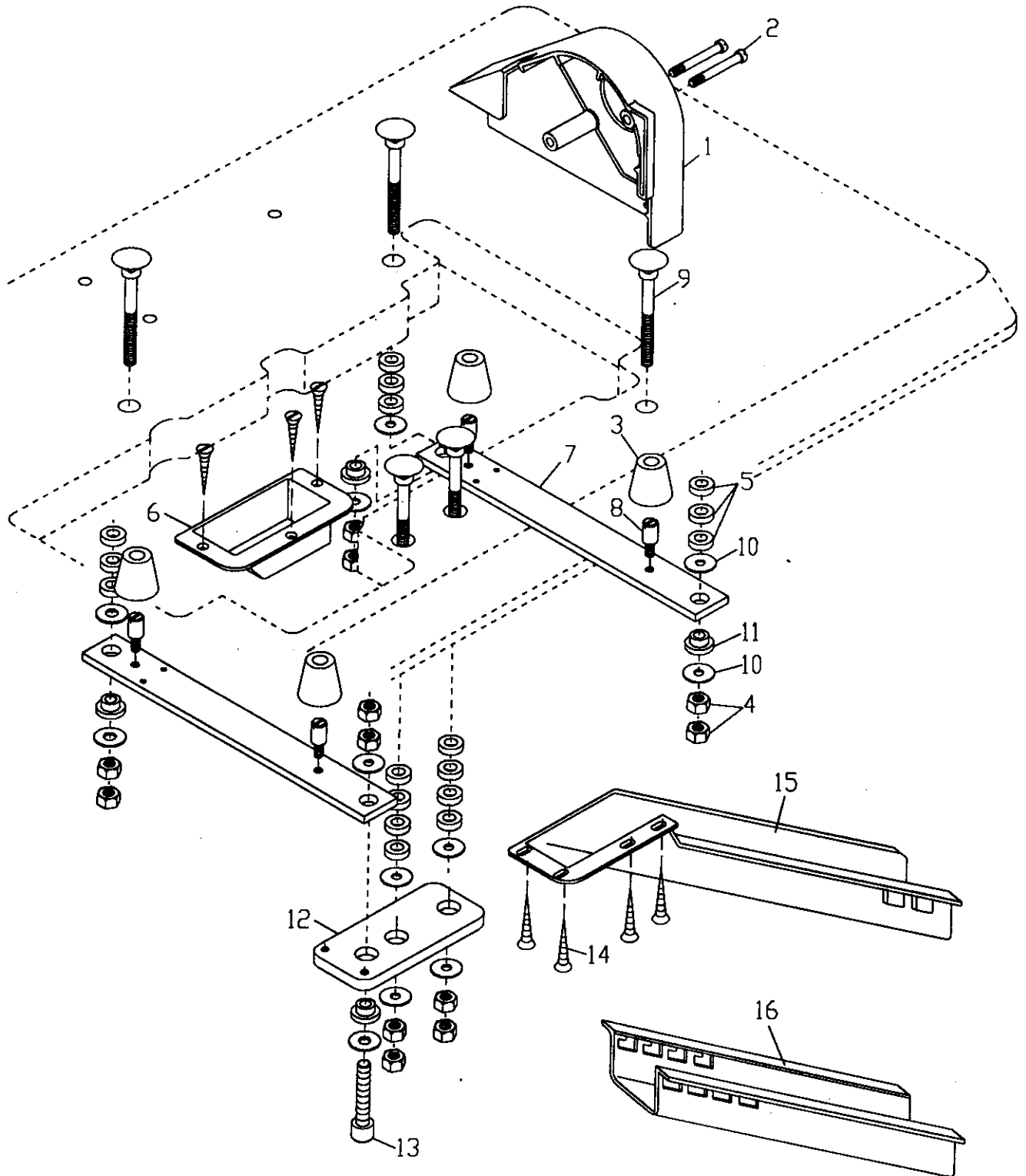
4.送鬆緊帶傳送機構列表 (B)

Metering Device Mechanism Components (B)

序號 Ref.No.	物料編號 Parts No.	對應原號 Parts No.	名稱 Description	單位用量 Amt. Req.
1	2210390401	F390401	軸 Roller Shaft -----	1
2	2210390402	F390402	指標墊圈 Pointer -----	1
3	2210390403	F390403	連桿銷 Connect Pin -----	1
4	90ER080	F090404ER	E形扣環 E Ring -----	1
5	2210390405	F390405PW	墊圈 Washer -----	1
6	2210390406	F390406D300	軸 Shaft -----	1
7	8MH05320400A	MH05320400A	螺絲 Screw (CT0523 M5-0.8*4)	2
8	2210090408	F090408G300	軸襯 Bushing -----	1
9	2210390409	F390409	離合器連桿 Clutch Lever -----	1
10	2210390410	F390410	手輪 Handwheel -----	1
11	8MN06400800A	MN06400800A	螺絲 Screw (CT0549 M6-1*8) -	2
12	8SF36400606A	SF36400606A	螺絲 Screw(RP0217 9/64"-40*7	9
13	2210390413	F390413	連桿 Rod -----	1
14	90BB2547127	F390414BB	滾珠軸承 Bearing -----	1
15	4RP0010225	RP10225	離合器滾柱 Clutch Roller -----	6
16	4RP0010224	RP10224	滾柱承座 Clutch Roller Base --	6
17	4RP0010223	RP10223	彈簧 Clutch Spring -----	12
18	2210390418	F390418	離合器制動板 Clutch Plate ----	1
19	4RP0010221	RP10221	離合器 Clutch -----	2
20	2210090420	F090420B300	內環 Clutch Sleeve Collar -----	1
21	8MN06400800A	MN06400800A	螺絲 Screw(CT0549 M6-1*8) --	3
22	2210090422	F090422B300	外環 Clutch Sleeve -----	1
23	2210090423	F090423C300	調整螺絲 Adjusting Screw ----	1
24	8MB03200606K	MB03200606K	螺絲 Screw (CT1207 M3-0.5*6)	2
25	2210390425	F390425	止動片 Stopper -----	1
26	2210390426	F390426	滑塊 Upper Feed Roller Eccentr	1
27	4RP0010323	RP10323	滑軌 Upper Feed Roller Regulat	1
28	2210390428	F390428	調整螺絲 Adjusting Screw ---	1
29	8MN05320500E	MN05320500E	螺絲 Screw (CT0903 M5-0.8*5)	4
30	2210390430	F390430	螺帽 Nut -----	1
31	8MB04280807K	MB04280807K	螺絲 Screw (CTS0215 M4-0.7*	1
32	2210390432	F390432	隔環 Spacer -----	1
33	2210390433	F390433	萬向肘 Ball -----	1
34	2210390434	F390434	螺絲 Screw -----	1
35	90NB101313	F390435	滾針軸承 Needle Bearing -----	1
36	2210390436	F390436	襯套 bushing -----	1
37	2210390437	F390437	墊圈 Washer -----	1
38	8MM04281007A	MM04281008A	螺絲 Screw (FT0203 M4-0.7*10	1
39	2200000232	C000232	墊圈 Washer (CT0232) -----	1

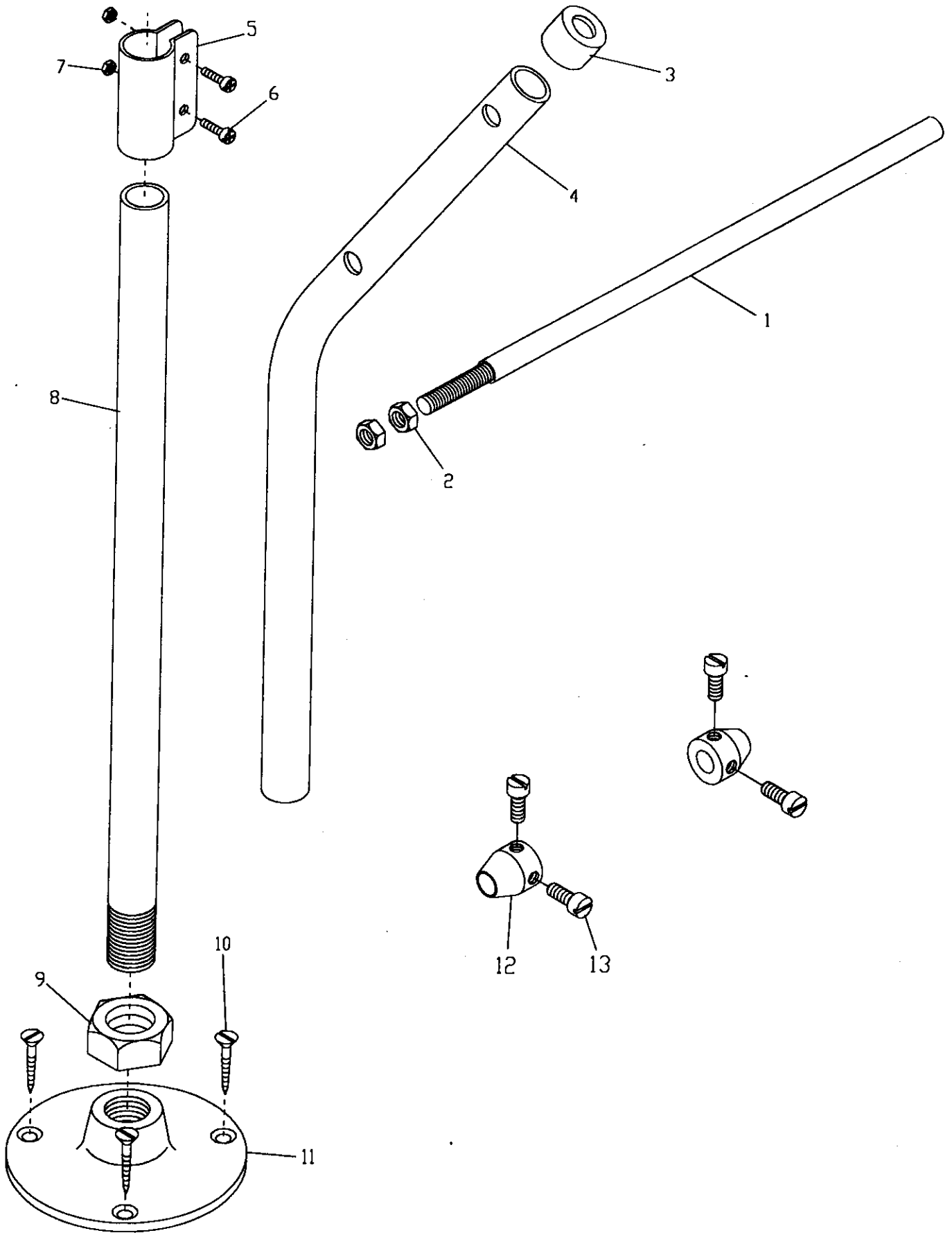
5 車頭承載及導布屑裝置

Supporting Board And Chute Components



5. 車頭承載及導布屑裝置列表 Supporting Board And Chute Components

序號 Ref.No.	物料編號 Parts No.	對應原號 Parts No.	名稱 Description	單位用量 Amt. Req.
1	2200001501	C001501D600	皮帶蓋 Belt Cover (CT1501) -----	1
2	8MB06404609K	MB06404609K	螺絲 Screw (CT1502 M6-1*46) ----	2
3	66945	F001503A600	減震橡膠 Rubber Cushion -----	4
4	8SA79180613A	SA79180613A	螺帽 Nut (CT1514 5/16"-18*6) -----	12
5	2210001505	F001505C200	隔環 Spacer -----	17
6	2210090617	F090617	導布屑 Chute -----	1
7	2210001507	F001507B700	車頭承板 Supporting Board -----	2
8	8MB06401512M	MB06401512M	螺樁 Bolt -----	4
9	8SC79189627B	SC79189627B	懸吊螺樁 Bolt (FT1509 5/16"-18*9)	5
10	2200001510	C001510PW	墊圈 Washer (CT1510) -----	12
11	2200001511	C001511A600	橡膠環 Rubber Washer (CT1511)---	4
12	2210090612	F090612	承板 Chute Support -----	1
13	2210090613	F090613	螺絲 Screw -----	1
14	2210090614	F090614	木螺釘 Wood Screw -----	7
15	2210090615	F090615	上導布屑 Chute (Upper) -----	1
16	2210090616	F090616	下導布屑 Chute (Lower) -----	1



6. TS03滾條架

序號 Ref.No.	物料編號 Parts No.	對應原號 Parts No.	名稱 Description	單位用量 Amt. Req.
1	4TS0030101	TS030101	軸 Shaft -----	1
2	8SA79180613A	SA79180613A	螺絲 Screw (CT1514 5/16"-18*6) ----	2
3	4TS0060103	TS060103	柱帽 Rod Cup -----	1
4	4TS0060104	TS060104	上柱 Upper Thread Stand Rod -----	1
5	4TS0060105	TS060105	接頭 Bracket -----	1
6	8SC48321708D	SC48321708D	螺絲 Screw -----	2
7	8SA48320409B	SA48320409B	螺帽 Nut -----	2
8	4TS0060108	TS060108	下柱 Lower Thread Stand Rod -----	1
9	4TS0060109	TS060109	螺帽 Nut -----	1
10	8WF50202210A	WF50202210A	木螺絲 Wood Screw -----	3
11	4TS0060111	TS060111	座 Stand Base -----	1
12	4TS0060112	TS030112	限位環 Stop Coller -----	2
13	8SH56320500A	SH56320500A	螺絲 Screw -----	4