

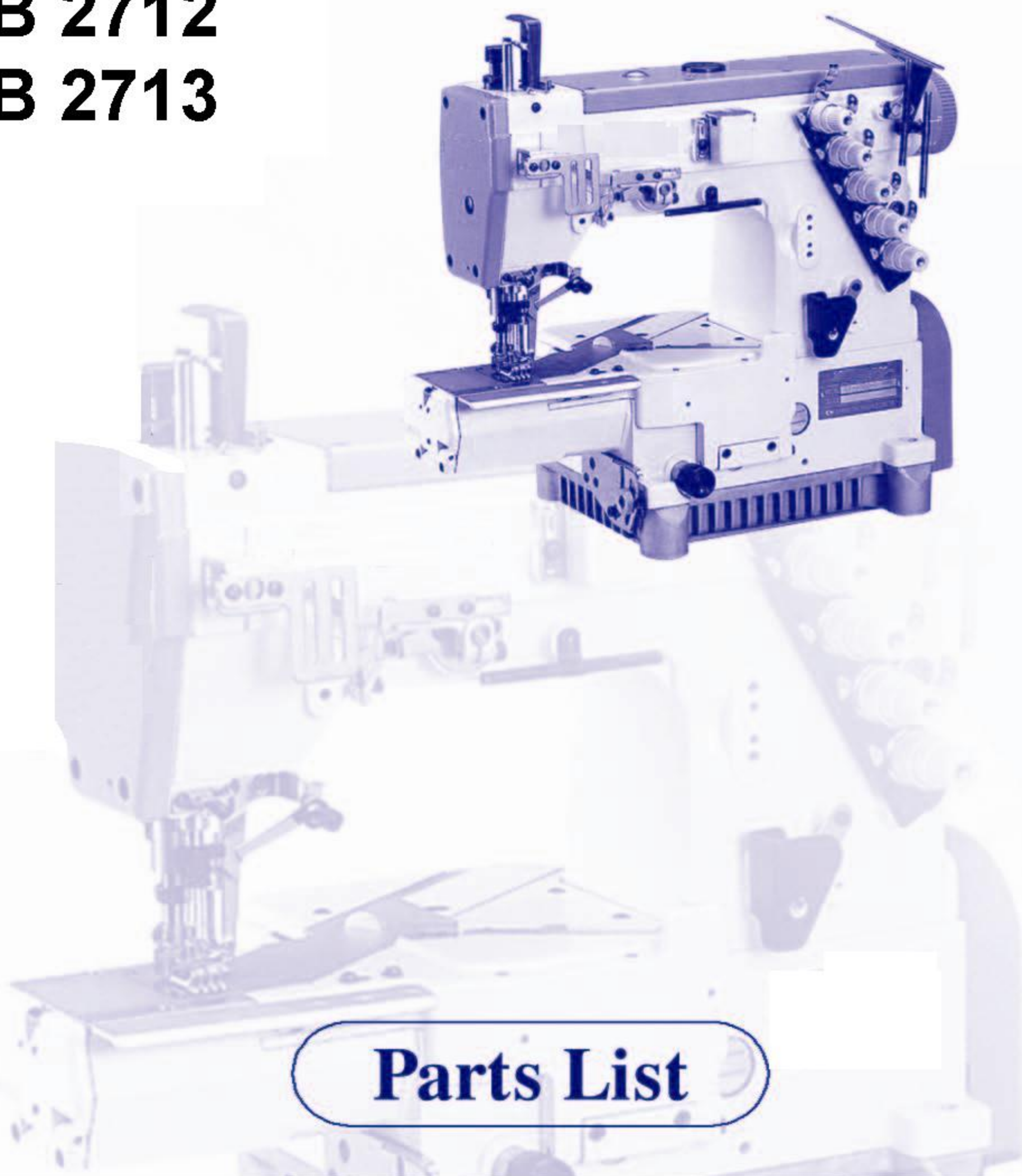
# CB SERIES

INDUSTRIAL SEWING MACHINE

DEVICE

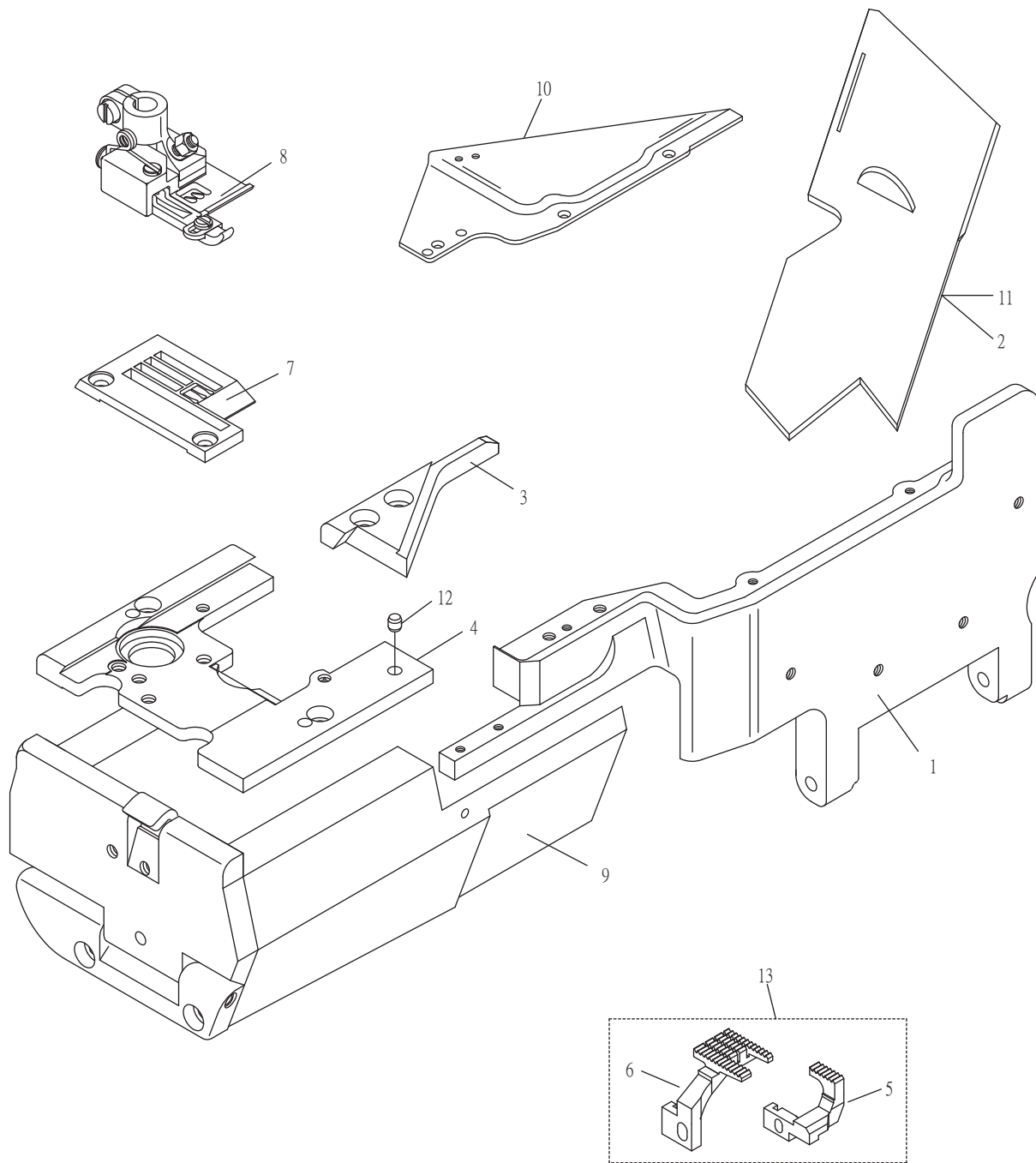
**CB 2712**

**CB 2713**



**Parts List**

1. CT□□03 筒形圓領包邊用零件列表 Parts List For CT□□03 Collarette Knitted Binding



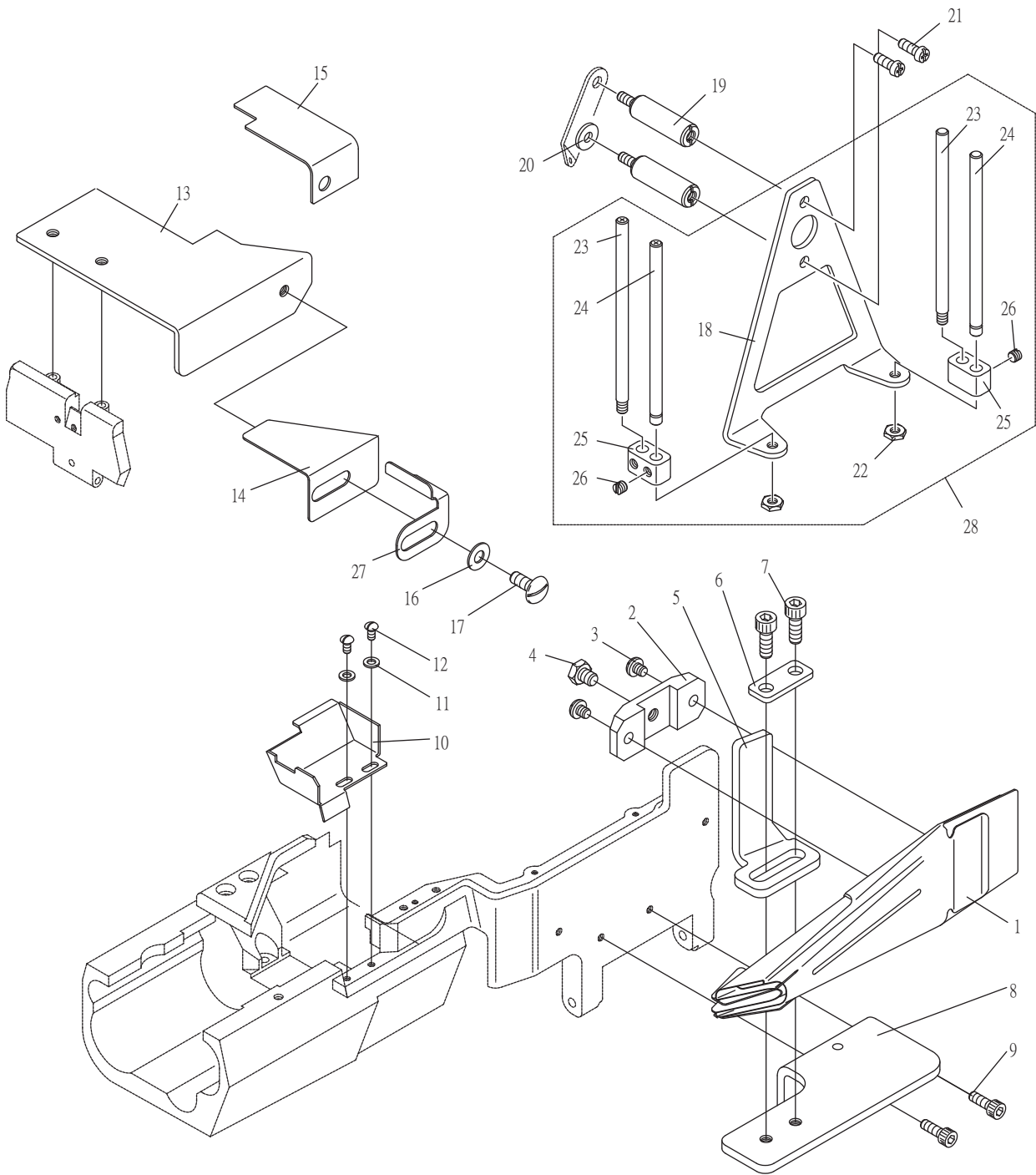
序號 Ref.No.	名稱 Description	針距 Distance Of Needles			
		4.0	4.8	5.6	6.4
7	針板 Needle Plate	5222TP03401	5222TP03481	5222TP03561	5222TP03641
8	壓腳 Presser Foot	5222PF03401	5222PF03481	5222PF03561	5222PF03641

1. CT□□03 筒形圓領包邊用零件列表 Parts List For CT□□03 Collarete Knitted Binding

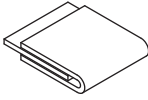
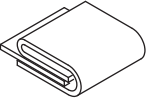
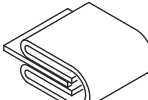
序號 Ref.No.	圖號 Parts No.	名稱 Description	單位用量 Amt .Req.
1	2200030101	下座前蓋 Front Cover -----	1
2	2200030102	防塵蓋 Dust Cover -----	1
3	2200030103	滑道 Guide -----	1
4	2200030104	針板座 Needle Plate Seat -----	1
5	5222DF03560	副送布齒 Diff Feed Dog -----	1
6	5222FD03560	主送布齒 Main Feed Dog -----	1
7	-----	針板 Needle Plate (See Left Page)-----	1
8	-----	壓腳組 Press Foot Asm. (See Left Page) -----	1
9	2200030109	車頭 Frame Unit -----	1
10	2200030110	護線蓋 Cloth Plate -----	1
*11	2200030111	防塵蓋 Dust Cover -----	1
12	2200030112	緩衝墊 Rubber Plug -----	1
13	5222DG0005	送布齒組 Feed Dog Asm. -----	1

\* 切線機構用 For Trimmer Components

2. CT□□03 筒形成形導模用零件表Parts List For CT□□03 Folder and Tape Guide



1 導模型式 Folder Type

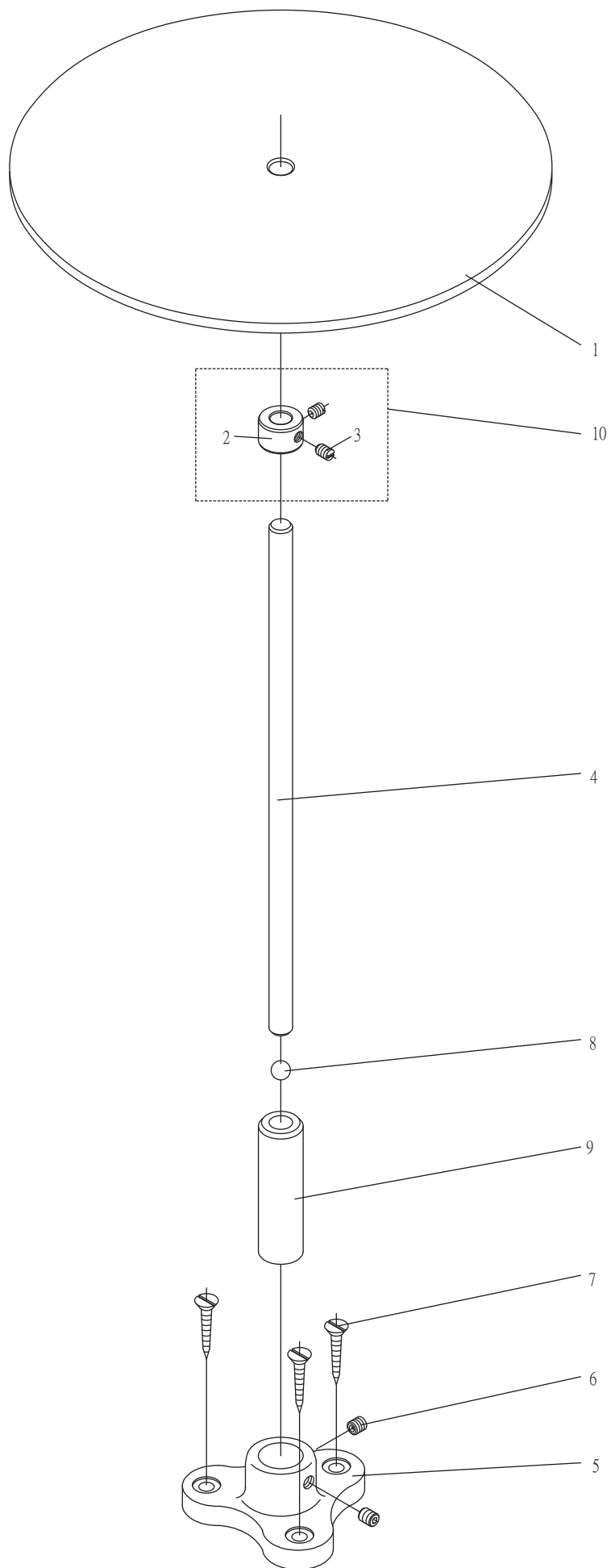
導模型式 Folder Type	 2 折	 3 折	 4 折
	Two Fold	Three Fold	Four Fold
圖號 Parts No.	220FR0101 (C030201FD2)	220FR0201 (C030201FD3)	220FR0301 (C030201FD4)

2. CT□□03 筒形成形導模用零件表Parts List For CT□□03 Folder and Tape Guide

序號 Ref.No.	圖號 Parts No.	名稱 Description	單位用量 Amt .Req.
*1	-----	成形導模 Folder (See Left Page) -----	1
2	2200030202	導模夾板 Folder Clamp -----	1
3	8SB44400407K	螺絲 Screw (CT030203 11/64"-40*4) -----	2
4	8SK56320608A	螺絲 Screw (C030204 7/32"-32*6) -----	1
5	2200030205	導模支撐臂 Folder Support -----	1
6	2200030206	夾板 Fixing Plate -----	1
7	8MM05321409A	螺絲 Screw (CT0632 M5-08*14) -----	2
8	2200030208	導模座 Folder Seat -----	1
9	8MM04281207A	螺絲 Screw (CT0202 M4-07*12) -----	2
10	2200030210	防塵蓋 Dust Cover -----	1
11	90PW030	墊圈 Washer -----	2
12	8MB03200606K	螺絲 Screw (CT1207 M3-0.5*6) -----	2
13	2200030213	布板 Cloth Plate -----	1
14	2200030214	導帶布板 Fabric Side Plate -----	1
15	2200030215	輔助布板 Aux. Cloth Plate -----	1
16	90PW050	墊圈 Washer -----	1
17	8MB05320710A	螺絲 Screw (C030217 M5-0.8*7) -----	1
18	2200030218	導帶桿架 Tape Guide Holder -----	1
19	2200030219	螺樁 Stud -----	2
20	2200001025	墊圈 Washer(CT1025)-----	1
21	8MC04280807D	螺絲 Screw (CT0130 M4-0.7*8) -----	2
22	8SA44400307A	螺帽 Nut (SH0914 11/64"-40*25) -----	2
23	2200030223	導帶桿 Tape Guide Holder -----	2
24	2200030224	導帶桿 Tape Guide Holder -----	2
25	2200030225	帶位調整塊 Tape Adjusting Holder -----	2
26	8SN44400400E	螺絲 Screw (SH0104 11/64"-40*4) -----	4
27	2210030224	輔助布板 Aux. Cloth Plate -----	1
28	220A0030228	導帶組 Tape Guide Set -----	1

\*特註品Custom-made Item

3. TS005 滾條輸送帶列表Parts List For TS005 Tape Stand



### 3. TS005 滾條輸送帶列表Parts List For TS005 Tape Stand

序號 Ref.No.	圖號 Parts No.	名稱 Description	單位用量 Amt .Req.
1	4TS0050101	承盤 Plastic Plate -----	1
2	4TS0050102	調整環 Ring -----	1
3	8SG56320500A	螺絲 Screw (SH0425 7/32"-32*5) -----	2
4	4TS0050104	立柱 Rod -----	1
5	4TS0050105	座 Stand Base -----	1
6	8SK60281207F	螺絲 Screw -----	2
7	8WF50202210A	螺絲 Screw -----	3
8	90BL100	鋼珠 Ball -----	1
9	4TS0050109	承座 Stand Base -----	1
10	4TS005A0102	調整環組 Ring Asm.-----	1