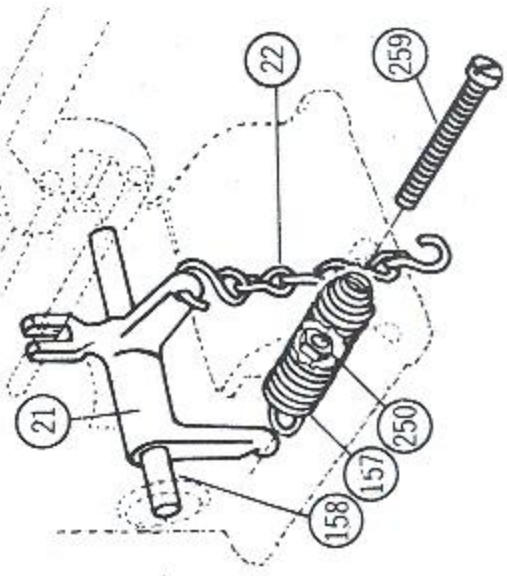
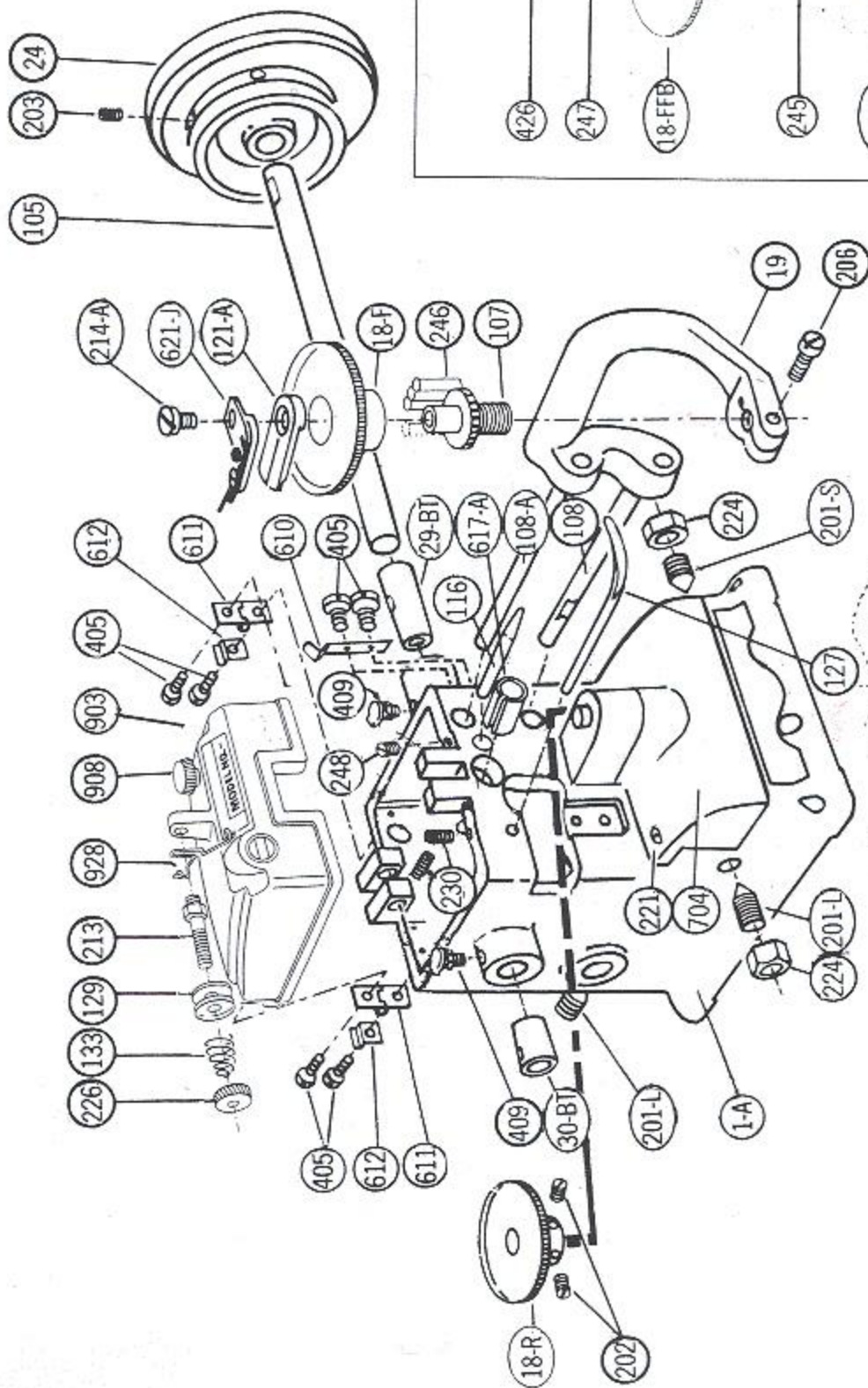
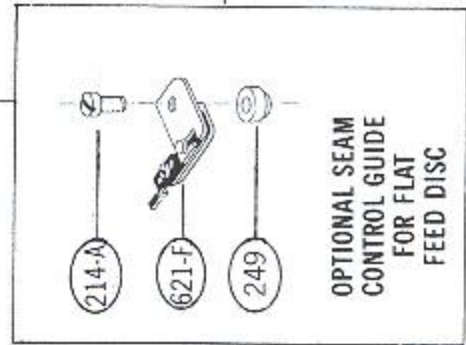
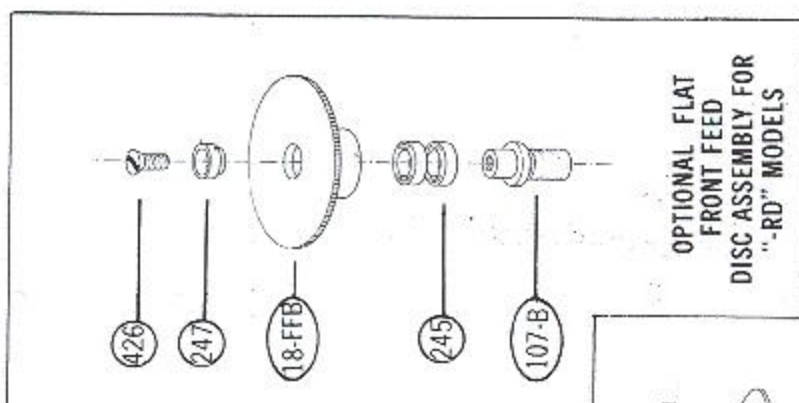
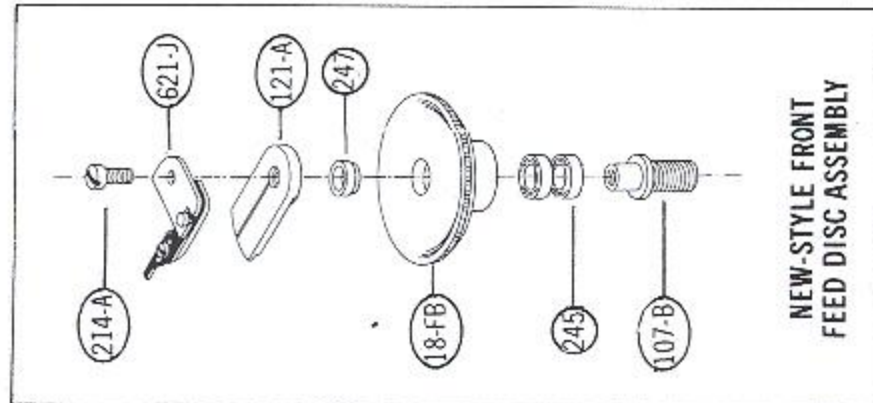


PARTS ASSEMBLIES FOR Bonis Models: A-21, A-18, A-16



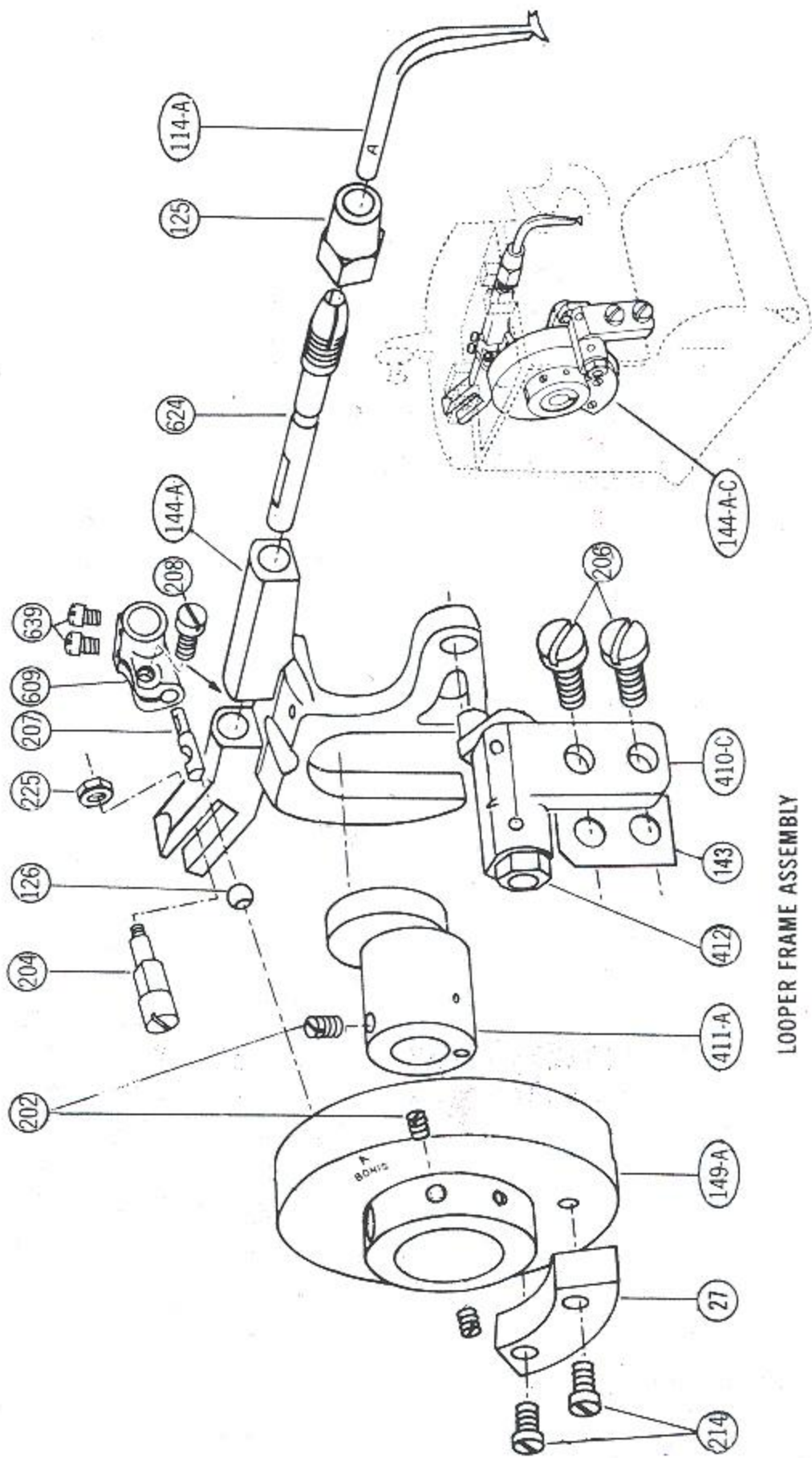
CAUTION: Order by part number only. When ordering parts, kindly state Serial and Model Numbers of Machine.

The Serial Number is stamped on the left top edge of main frame. The Model Number is printed on name plate on top cover.



MAIN FRAME ASSEMBLY

Part No.	Description
1-A	Main Frame
* 18-F	Front Feed Disc (Sold only as complete unit)
* 18-FB	Front Feed Disc with Ball Bearings (Sold only as a complete unit)
* 18-FFB	Flat Front Feed Disc with Ball Bearings (Sold only as a complete unit)
* 18-R	Rear Feed Disc
19	Feed Disc Arm, Complete with Pins
21	Pressure Lever
22	Pressure Lever Chain
24	Belt Wheel (For "-RD" Models there is also a Belt Wheel, Part No. 24-A, on left side)
29-BT	Main Shaft Bushing, Long, (Right Side)
30-BT	Main Shaft Bushing, Short, (Left Side)
105	Main Shaft (For "-RD" Models it is Part No. 105-R)
107	Disc Stud
107-B	Front Disc Stud for Ball Bearings
108-A	Top Arm Pin
108-B	Bottom Arm Pin
116	Needle Bar Tension Post
121-A	Needle Guard
127	Work Guide (installed on Model A-16 only)
129	Tension Disc, 2 req'd
133	Top Cover Tension Spring
157	Pressure Lever Spring
158	Pressure Lever Shaft
201-L	Feed Gear Shaft Screw, 2 req'd
201-S	Feed Gear Shaft Screw, 2 req'd
202	Rear Feed Disc Set Screw, 2 req'd
203	Belt Wheel Screw, 2 pcs. req'd
206	Arm Pinch Screw
213	Tension Post
221	Front Cover Screws, 2 req'd
224	Feed Shaft Nut, 2 req'd
226	Tension Nut
230	Work Guide Set Screw
245	Shielded Ball Bearing, 2 req'd
246	Disc Bearing Rollers, 12 req'd
247	Spacer
248	Tension Post Set Screw
249	Thick Spacer
250	Pressure Adjusting Nut
259	Pressure Adjusting Screw
405	Top Cover Hinge Screw, 6 req'd
409	Oil Cup, 2 req'd
426	Feed Gear Plate Screw
610	Top Cover Lock Spring
611	Top Cover Hinge, 2 req'd
612	Top Cover Hinge Stop, 2 req'd
614	Needle Guard Screw
617-A	Needle Bar Bushing
621-F	Adjustable Seam Control Guide for Flat Feed Discs
621-J	Adjustable Seam Control Guide (installed on Models A-21 & A-18 only)

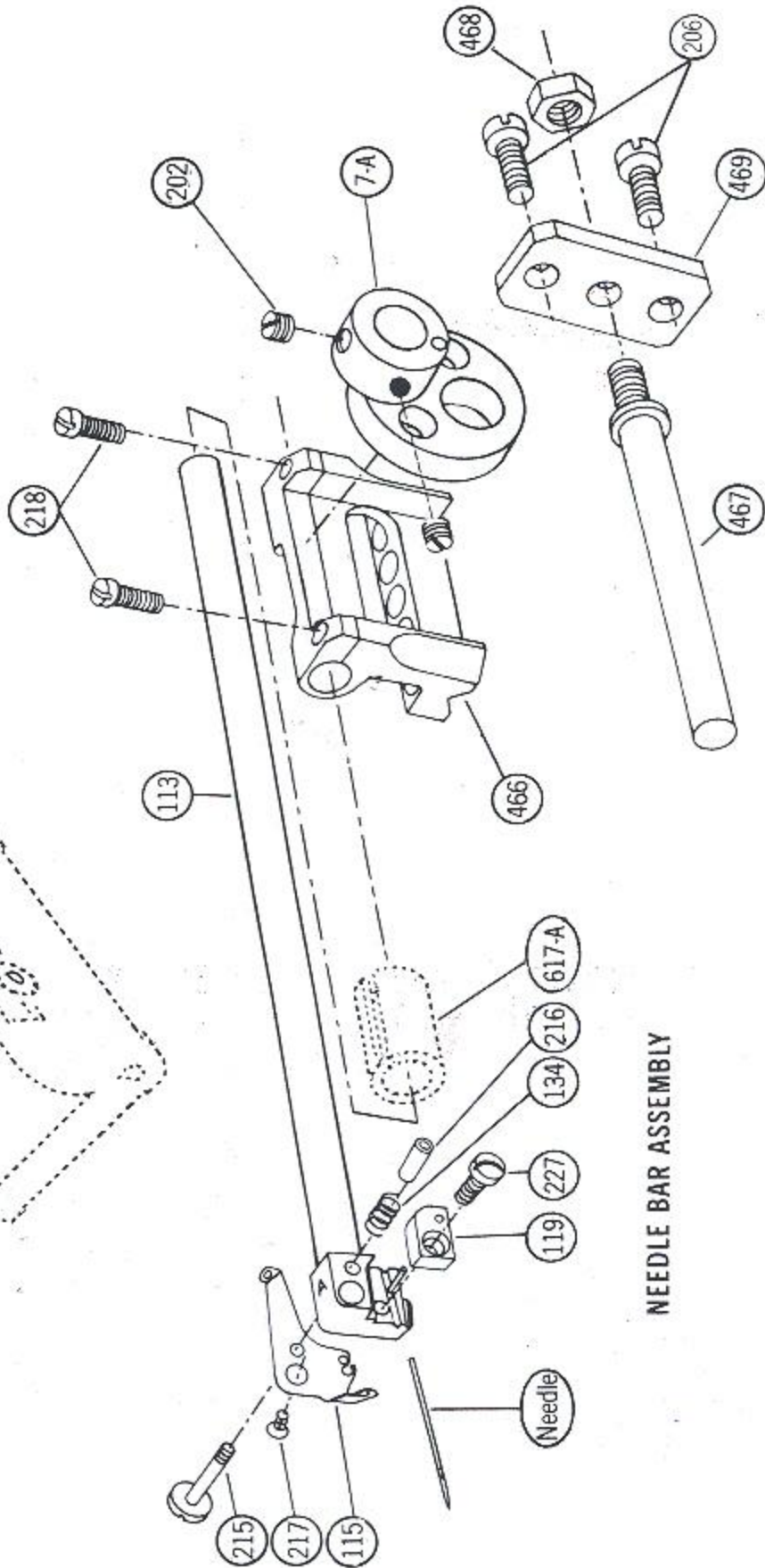
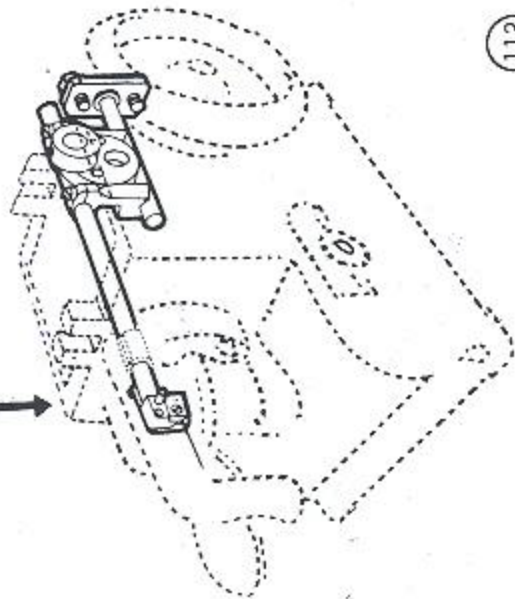


LOOPER FRAME ASSEMBLY

LOOPER FRAME ASSEMBLY

Part No.	Description
27	Balance Weight
114-A	Looper
125	Hexagon Looper Chuck Shell
126	Looper Cam Roller
143	Rocker Packing. (Specify thickness: .004, .006, .010, .020)
144-A	Looper Frame
144-A-FC	Looper Frame, Fitted Complete With All Necessary Parts
149-A	Oscillating Cam
202	Eccentric Set Screw, 4 Req'd
204	Fulcrum Pin
206	Looper Frame Rocker Screw, 2 Req'd
207	Looper Cam Roller Stud
208	Looper Cam Roller Stud Set Screw
214	Balance Weight Screw, 2 Req'd
225	Fulcrum Pin Nut
410	Front Rocker, Complete
411-A	Looper Frame Eccentric
412	Front Rocker Nut
609	Looper Oscillating Arm
624	Looper Shaft
639	Looper Oscillating Arm Pinch Screw, 2 Req'd

Serial Number

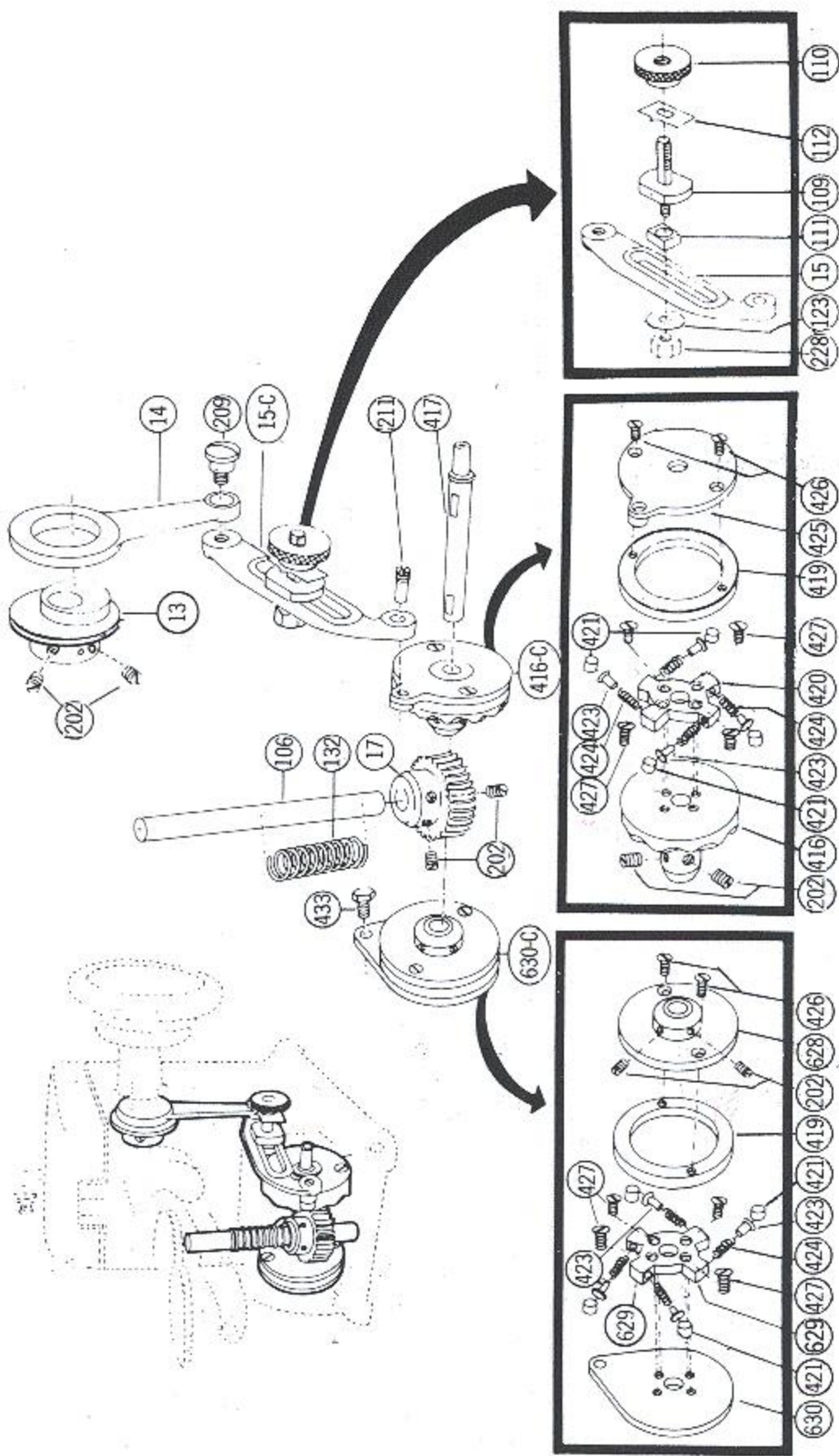


NEEDLE BAR ASSEMBLY

NEEDLE BAR ASSEMBLY

Part No.	Description
7-A	Needle Bar Yoke Eccentric
113	Needle Bar (For "-RD" Models it is Part No. 113-R)
115	Needle Bar Tension Plate
119	Needle Clamp
134	Needle Bar Tension Spring
202	Yoke Eccentric Set Screw
206	Needle Bar Yoke Adjustable Bracket Screw, 2 Req'd
215	Needle Bar Tension Plunger
216	Needle Bar Plunger Nut
217	Needle Bar Tension Plate Screw
218	Needle Bar Yoke Pinch Screw, 2 Req'd
227	Needle Clamp Screw
466	Needle Bar Yoke
467	Needle Bar Yoke Support Shaft
468	Needle Bar Yoke Support Shaft Lock Nut
469	Needle Bar Yoke Adjustable Bracket
617-A	Needle Bar Bushing
Needle-	Bonis System 292-A (For "-RD" Models it is Bonis System 459)

Custom Gauges for Special Work are Available



Feed Retaining Drum Parts

Feed Gear Parts

Feed Lever Parts

GEAR AND FEED ASSEMBLY

CAUTION:

Order by part number only. When ordering parts, kindly state Serial and Model Numbers of Machine.

The Serial Number is stamped on the left top edge of main frame. The Model Number is printed on name plate on top cover.

GEAR & FEED ASSEMBLY

Part No.	Description
13	Feed Eccentric
14	Feed Connection
15	Feed Lever Only
15-FC	Feed Lever, Fitted Complete
17	Feed Gear (Small)
106	Disc Shaft
109	Stitch Regulating Stud
110	Stitch Regulating Stud Nut
111	Stitch Regulating Block
112	Stitch Indicator
123	Feed Lever Washer
132	Feed Disc Shaft Spring
202	Set Screw, 8 Req'd
209	Feed Lever Shoulder Screw
211	Feed Driving Screw
228	Stitch Stud Nut
416	Feed Gear Only
416-FC	Right Side Feed Gear, Complete
417	Feed Gear Shaft
419	Feed Gear Ring
420	Feed Gear Cam
421	Feed Gear Roller, 4 Req'd
423	Feed Gear Roller Pin, 4 Req'd
424	Feed Gear Roller Spring, 4 Req'd
425	Feed Gear Plate
426	Feed Gear Plate Screw, 2 Req'd
427	Feed Gear Cam Screw, 4 Req'd
433	Feed Retaining Drum Plate Screw
628	Feed Retaining Drum
629	Feed Retaining Drum Cam
630	Feed Retaining Drum Plate
630-FC	Left Side Feed Retaining Drum, Complete