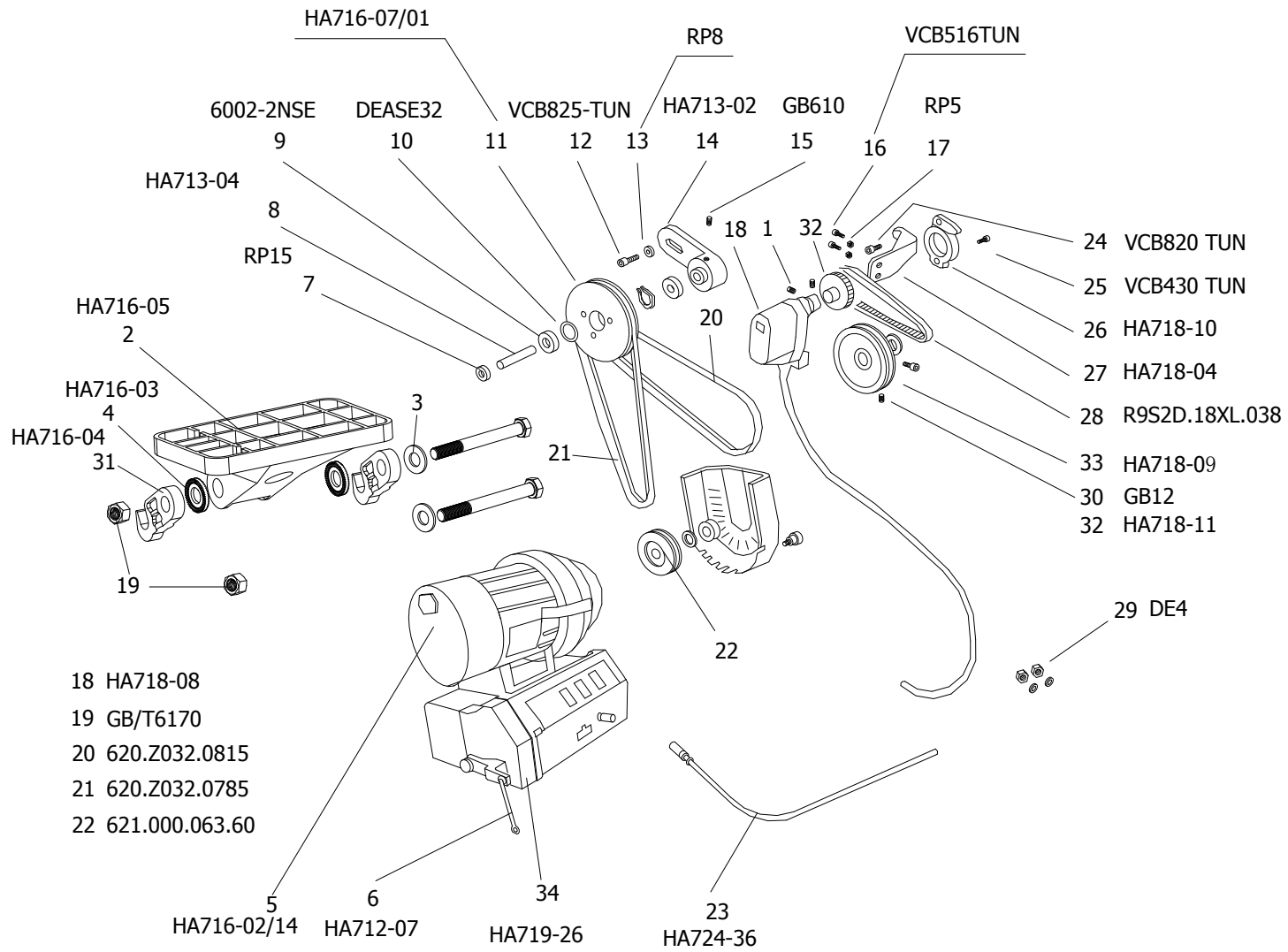
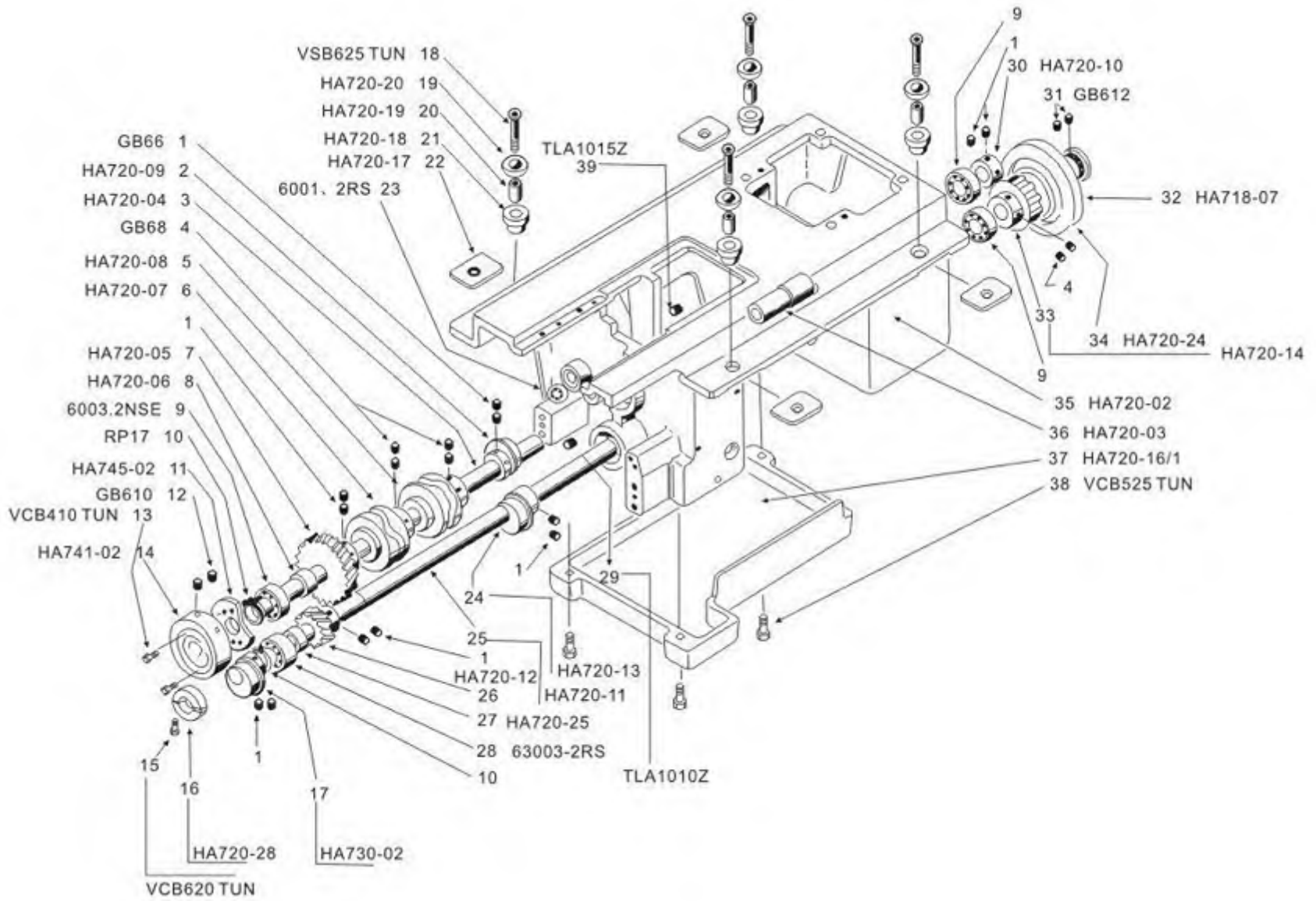


Number	Quantity	name	Number	Quantity	
1	1	Console table board	37	1	Magent
2	1	Fastener latch	38	1	Hex nut
3	1	Table tilt up hook	39	5	Spacer table
4	2	Upper hinge	41	1	Belt guard
5	4	Hex.soc.hd.cap screw	42	1	Locking handle
6	2	Threaded pin	43	2	Hex.soc.hd.cap screw
7	4	Hex.soc.hd.cap screw	44	1	Side fixed pedal
8	2	Lower hinge	45	1	Table fixed pedal
9	1	Table board support rod	46	1	Right fixed pedal
10	4	Flat washer	47	1	Magnet block
11	1	Knuckle connection	48	2	Hex.soc.hd cap screw
12	12	Hex nut	49	1	Hinged table board
13	1	Drawer support plate	50	1	Console table board
14	1	Drawer	51	1	Support bracket
15	1	Left hand leg assy	52	4	Hex.soc.hd.cap screw
16	1	Lower rear traverse	53	2	Front wheels support square
17	1	Foot treadle	54	1	Support bracket
18	2	Treadle rubber pad	55	6	Tablesupport
19	4	Rubber pad	56	5	Stud
20	8	Hex.soc.hd cap screw	57	1	Protection mousse
21	8	Flat washer	58	1	Spool-holder plate
22	2	Rear wheels support plate	59	4	Washer
23	4	Sleeve	60	2	Hex nut
24	4	Turning wheel	61	10	
25	10	Hex.sochd cap screw	62	1	Threading hook bar
26	1	Front trimming	63	1	Guard for wheel
27	24	Flat washer	64	3	Hex.soc.hd.cap screw
28	4	Hex nut	65	1	Micros wit
29	1	Back guard			
30	1	Right hand leg assy			
31	1	Machine support frame			
32	1	Guard			
33	4	Hex.soc.hd cap screw			
34	1	Motor front support			
35	1	Motor back support			
36	1	Motor support trav			

序号	数量	名称	name	序号	数量	名称	name		
1	VTE845	3	螺钉	Hex.hd screw	30	DE4	2	螺帽	Hex nut
2	HA716-05	1	电动机后支架	Motor back support	31	HA716-04	2		电机挂钩
3	DE8	2	平垫圈	Flat washer	36	HA718-09	1	皮带轮	Pulley
4	HA716-03	2		带齿垫圈	37	HA719-26	1	三相电控制盒	Control box,three-phase
5	HA716-02/40	1	三相电动机	Three-phase motor					
6	HA712-07	1	带动连接杆	Tie rod assy					
7	RP15	1	卡环	Ring					
8	HA713-04	1	皮带轮销钉	Pulley pin					
9	6002-2NSE	2	滚珠轴承	Ball bearing					
10	DE ASE32	2	卡环	Ring					
11	HA716-07/01	1	还原皮带轮	Reduction pulley					
12	VCB825 TUN	2	螺钉	Hex.hd.screw					
13	RP8	2	平垫圈	Flat washer					
14	HA713-02	1	支架	Support					
15	GB610	2	定位螺钉	Hex.soc.set screw					
16	VCB516 TUN	2	有头螺钉	Hex.soc.hd.cap screw					
17	PR5	2	平垫圈	Flat washer					
18	HA718-08	1	同步器	Synchronizer					
19	GB/T6170	2		Nut					
20	620.Z032.0815	1	“O”型 800 皮带	“O”belt					
21	620.Z032.0785	1	“O”型 800 皮带	“O”blet Z30 3/4					
22	621.000.063	1	60 周皮带驱动轮	60 cycle drive pulley					
23	HA724-36	1	电缆连接器	Cable with connector					
24	HA724-36	1	有头螺钉	Hex.soc.hd.cap screw					
25	VCB820 TUN	2	有头螺钉	Hex.soc.flat hd.cap screw					
26	VCB430 TUN	1	同步器夹	Synchronizer holder clamp					
27	HA718-10	1	同步器托架	Timing blet					
28	R9S2D.180XL.038	1	主正时皮带	Main pulley with timing blet pulley					
29	GB12	2	定位螺钉	Hes.soc.set scew					

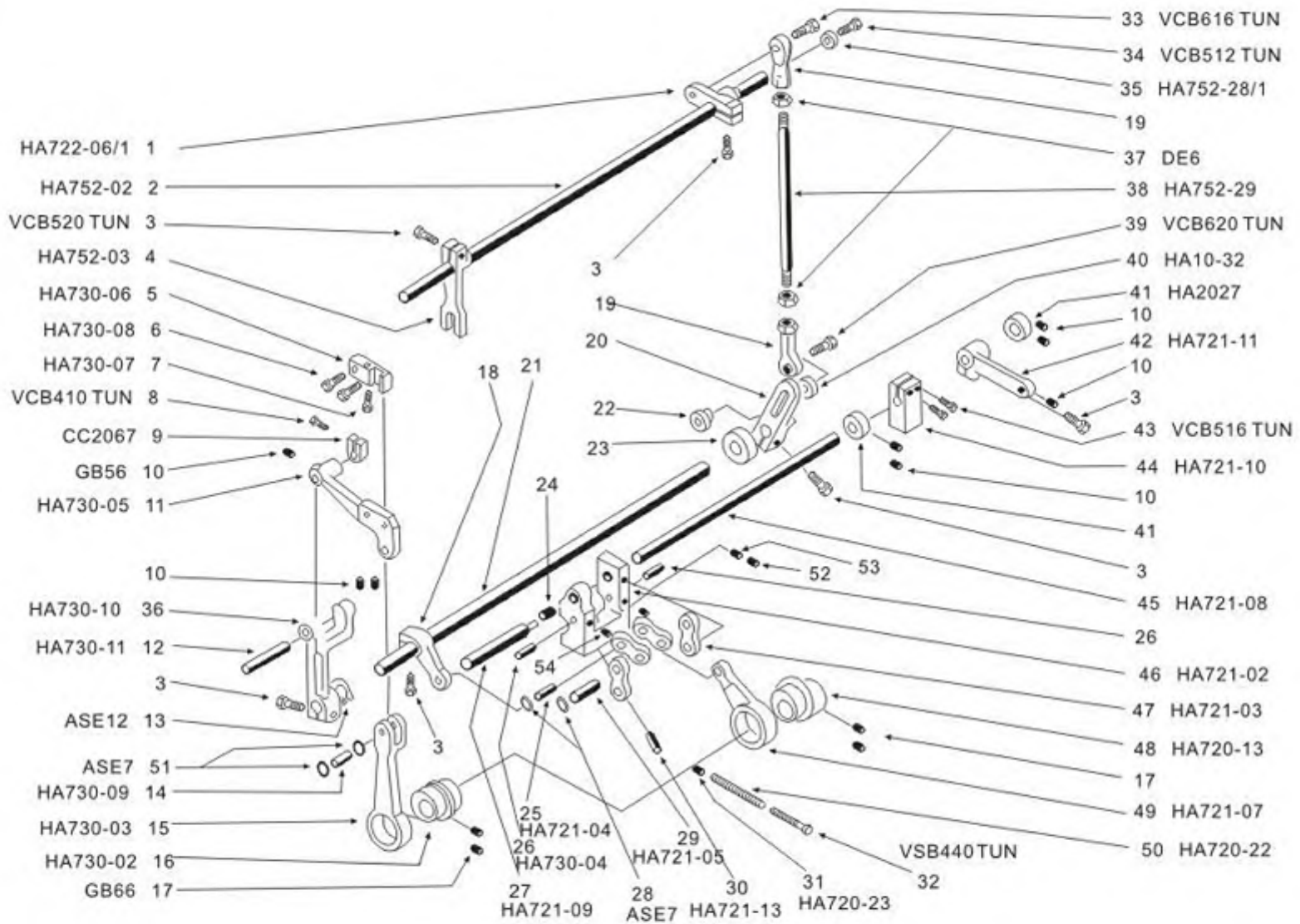


序号	数量	名称	name	序号	数量	名称	name		
1	GB66	12	定位螺丝	Hex.socset screw	32	HA718-07	1	主正时皮带轮	Man pulley with timing belt pulley
2	HA720-09	1	珠点偏心轮	Stitch shortening eccentric	33	HA720-14	1	下正时皮带轮	Lower timing belt pulley
3	HA720-04	1	下凸轮轴	Lower cam shaft	34	HA720-24	1	皮带轮凸缘	Pulley flange
4	GB68	4	定位螺丝	Hex.soc.set screw	35	HA720-02	1	机座	Bed
5	HA720-08	1	挑线钩凸轮	Thread lifting cam	36	HA720-03	1	轴套	bushing
6	HA720-07	1	下送线指凸轮	Thread loader cam	37	HA720-16/1	1	底盖	Bottom cover
7	HA720-05	1	主动轴	Driver gear	38	VCB525 TUN	3	有头螺钉	Hex.soc.hd.cap screw
8	HA720-06	1	隔离套	Spacer	39	TLA1015Z	1	轴承座套	Roller-bearing sleeve
9	6003,2NSE	3	滚珠轴承	Ball bearing					
10	RP17	2	卡环	Ring					
11	HA745-02	1	下送线钩凸轮	Pull off rimger cam					
12	GB610	2	定位螺丝	Hex.soc.set screw					
13	VCB410 TUN	2	有头螺钉	Hex.soc.hd.cap screw					
14	HA741-02	1	夹线钩凸轮	Tension drive cam					
15	VCB620 TUN	1	有头螺钉	Hex.soc.hd.cap screw					
16	HA720-28	1	止动轴环	Looper wheel stop collar					
17	HA730-02	1	下牙架提升偏心轮	Feed lift eccentric					
18	VSB625 TUN	4	有头螺钉	Hex.soc.flat hd.cap screw					
19	HA720-13	4	垫圈	Washer					
20	HA720-19	4	隔离套	Gormmet spacer					
21	HA720-18	4	减震垫圈	Shock absorber grommet					
22	HA720-17	4	支架垫片	Support pad					
23	6001,2RS	2	滚珠轴承	Ball bearing					
24	HA720-13	1	送布偏心轮	Main feed eccentric					
25	HA720-11	1	下总轴	Lower man shaft					
26	HA720-12	1	主动齿轮	Driving gear					
27	HA720-25	1	隔离套	Spacer					
28	63003-2RS	1	滚珠轴承	Ball bearing					
29	TLA1010Z	2	轴承座套	Roller-bearing sleeve					
30	HA720-10	1	卡环	Ring					
31	GB612	2	定位螺丝	Hex.soc set screw					

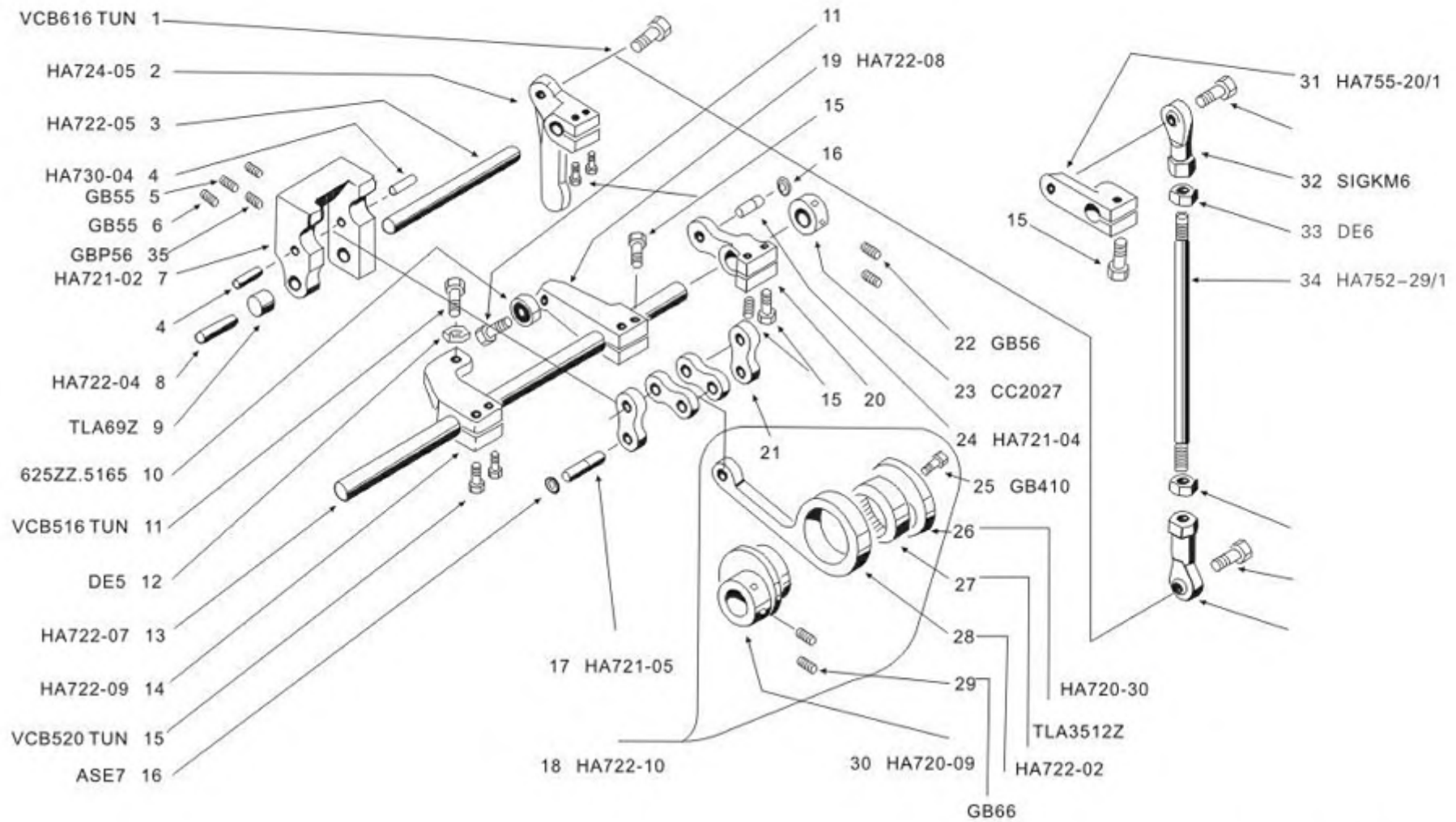


序号		数量	名称	name	序号	数量	名称	name
1	HA722-06/1	1	控制杆	Control lever	32	VSB440 TUN	有头螺钉	Hex.soc.flat hd.cap screw
2	HA752-02	1	驱动轴	Driveshaft,foot movement	33	VCB616 TUN	有头螺钉	hex.soc.hd.cap screw
3	VCB520 TUN	6	有头螺钉	Hex.soc.hd.cap screw	34	VCB521 TUN	有头螺钉	Hex.soc.hd.cap screw
4	HA752-03	1	叉杆	Fork lever	35	HA752-28/1	垫圈	Washer
5	HA730-06	1	供给挡块固定器	Feed dog holder	36	HA730-10	供给挡块叉	Feed dog fork
6	HA730-08	2	供给挡块螺钉	Feed dog screw	37	DE6	螺旋套	Hex nut
7	HA730-07	1	供给挡块高度调整螺钉	Feed dog height adjustment screw	38	HA752-29	连杆	Connecting rod
8	VCB410 TUN	1	有头螺钉	Hex.soc.hd.cap screw	39	VCB620 TUN	有头螺钉	Hex.soc.hd.cap scew
9	CC2067	1	夹钳	Clamp	40	HA10-32	隔离垫圈	Spacer ring
10	GB56	8	定位螺丝	Hex.soc.set screw	41	HA2027	圆环	Ring
11	HA730-05	1	供给挡块运载棒	Feed dog carrier bar	42	HA721-11	线迹长短控制杆	Stitch-lengthner control lever
12	HA730-11	1	铰链销钉	Hinge stud	43	VCB516 TUN	有头螺钉	Hex.soc.hd.cap screw
13	ASE12	1	卡环	Ring	44	HA721-10	手碰头	Clamp block
14	HA730-09	1	短轴	Stud	45	HA721-08	长针枢轴	Stitch-lengthner pivot shaft
15	HA730-03	1	供给提升连接环	Feed lift connecting tod	46	HA721-02	滚轮架	Stitch-lengthner support
16	HA730-02	1	下牙架提升偏心轮	Feed lift eccentric	47	HA721-03	滑环	Link
17	GB66	4	定位螺丝	Hex.soc.set screw	48	HA720-13	送布偏心轮	Main feed eccentric
18	HA721-06	1	长针控制杆	Stitch-(lengthner)control lever	49	HA721-07	长针连杆	Stitch-lengthner connecting rod
19	SIGKM6	2	球形结	Articulated (endpiece)	50	HA720-22	弹簧	Spring
20	HA730-13	1	上送牙曲柄	Foot control lever	51	ASE7	卡环	Ring
21	HA730-12	1	压脚驱动轴	Feed drive rock shaft	52	GB55	定位螺丝	Hex.soc.set screw
22	HA730-14	1	圆螺母	Ring nut	53	GB56	定位螺丝	Hex.soc.set screw
23	HA743-04	1	圆环	Ring	54	GBP58	定位螺丝	Hex.soc.set screw
24	TLA0609Z	1	轴承座套	Roller-bearing sleeve				
25	HA721-04	1	短轴	Stud				
26	HA730-04	2	辊子	Roller				
27	HA721-09	1	铰链销钉	Hinge stud				
28	ASE7	2	防护环	Retainning ring				
29	HA721-05	1	短轴	Stud				
30	HA721-13	1	弹簧连接轴	Spring connection				
31	HA720-23	1	圆螺母	Ring nut				

- 18 HA721-06
- 19 SIGKM6
- 20 HA730-13
- 21 HA730-12
- 22 HA730-14
- 23 HA743-04
- 24 TLA0609Z
- 52 GB55
- 53 GB56
- 54 GBP58

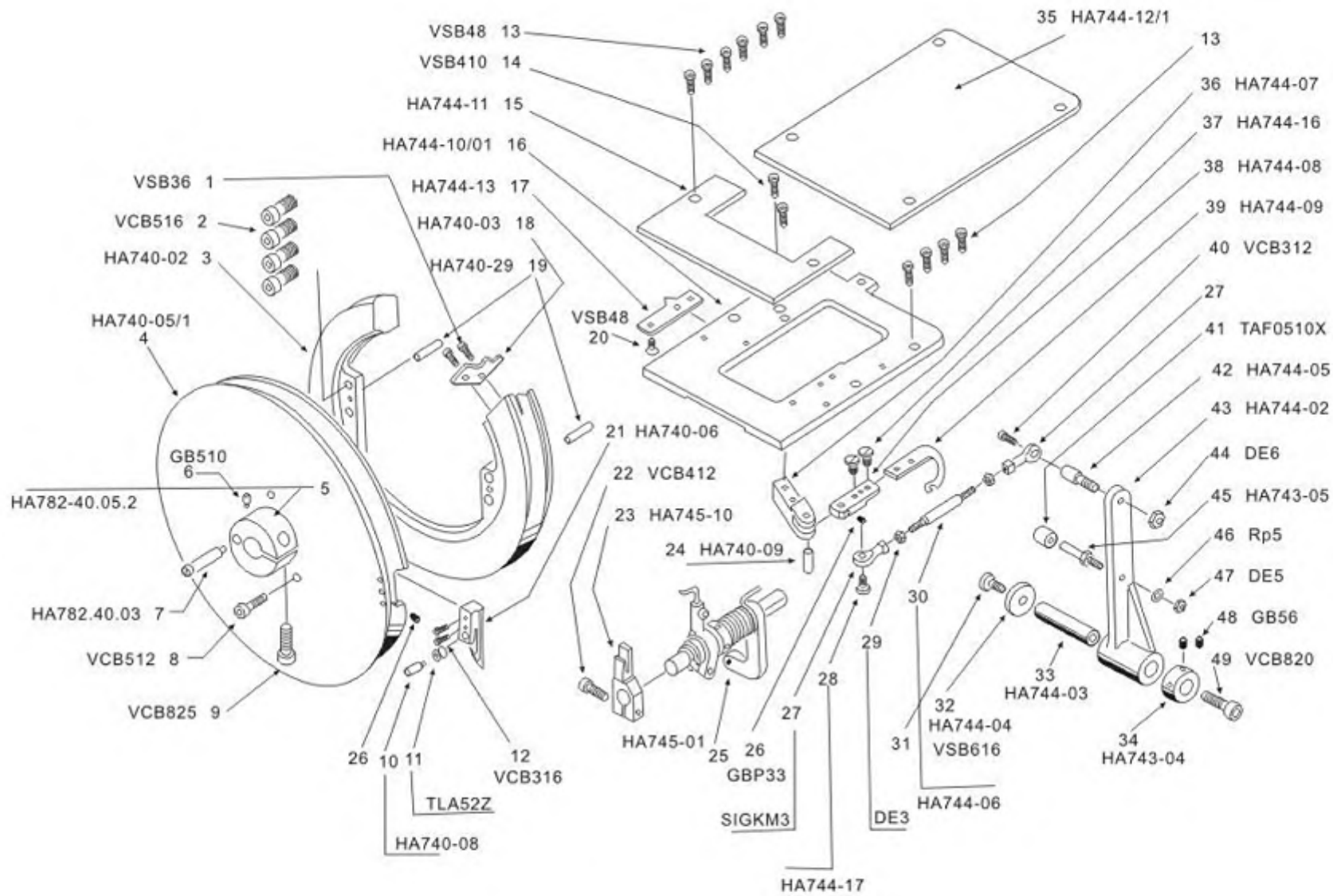


序号		数量	名称	name	序号	数量	名称	name	
1	VCB616 TUN	2	有头螺钉	Hex.soc.hd.cap screw	33	DE6	2	螺旋套	Hex nut
2	HA724-05	1	连杆头	Stitch inversion control lever	34	HA752-29/1	1	连杆	Connection rod
3	HA722-05	1	放松支架控制轴	Lose support control shaft	35	GBP56	1	定位螺钉	Hex.soc.set screw
4	HA730-04	2	辊子	Roller					
5	GB55	1	定位螺钉	Hex.soc.set screw					
6	GB55	2	定位螺钉	Hex.soc.set screw					
7	HA721-02	1	珠点调节架	Stitch-lengthner support					
8	HA722-04	1	短轴	Hinge stud					
9	TLA69Z	1	轴承座套	Roller-bearing sleeve					
10	625ZZ.5165	1	滚珠轴承	Ball bearing					
11	VC516 TUN	2	有头螺钉	Hex.soc.hd.cap screw					
12	DE5	1	螺旋套	Hex nut					
13	HA722-07	1	控制轴	Shaft, stitch correction lever					
14	HA722-09	1	压块	Counter lever					
15	VCB520 TUN	9	有头螺钉	Hex.soc.hd.cap screw					
16	ASE7	2	定位环	Retaining ring					
17	HA721-05	1	短轴	Stud					
18	HA722-10	1	凸缘和偏心组件	Cam with excentric					
19	HA722-08	1	珠点调节滚轮架	Stitch correction lever					
20	HA722-03	1	针校正控制杆	Stitch correction control lever					
21	HA721-03	4	滑环	Link					
22	GB56	2	定位螺丝	Hex.soc.set screw					
23	CC2027	1	圆环	Ring					
24	HA721-04	1	短轴	Stud					
25	GB410	1	有头螺钉	Hex.soc.flat hd.cap screw					
26	HA720-30	1	凸缘	Flange					
27	TLA3512Z	1	轴承座套	Roller-bearing sleeve					
28	HA722-02	1	针校正连接环	Stitch correction connecting rod					
29	GB66	2	定位螺丝	Hex.soc.set screw					
30	HA720-09	1	珠点偏心轮	Stitch shortening eccentric					
31	HA755-20/1	1	针校正控制杆	Stitch correction control lever					
32	SIGKM6	2	球接头	Articulated(endpiece)					

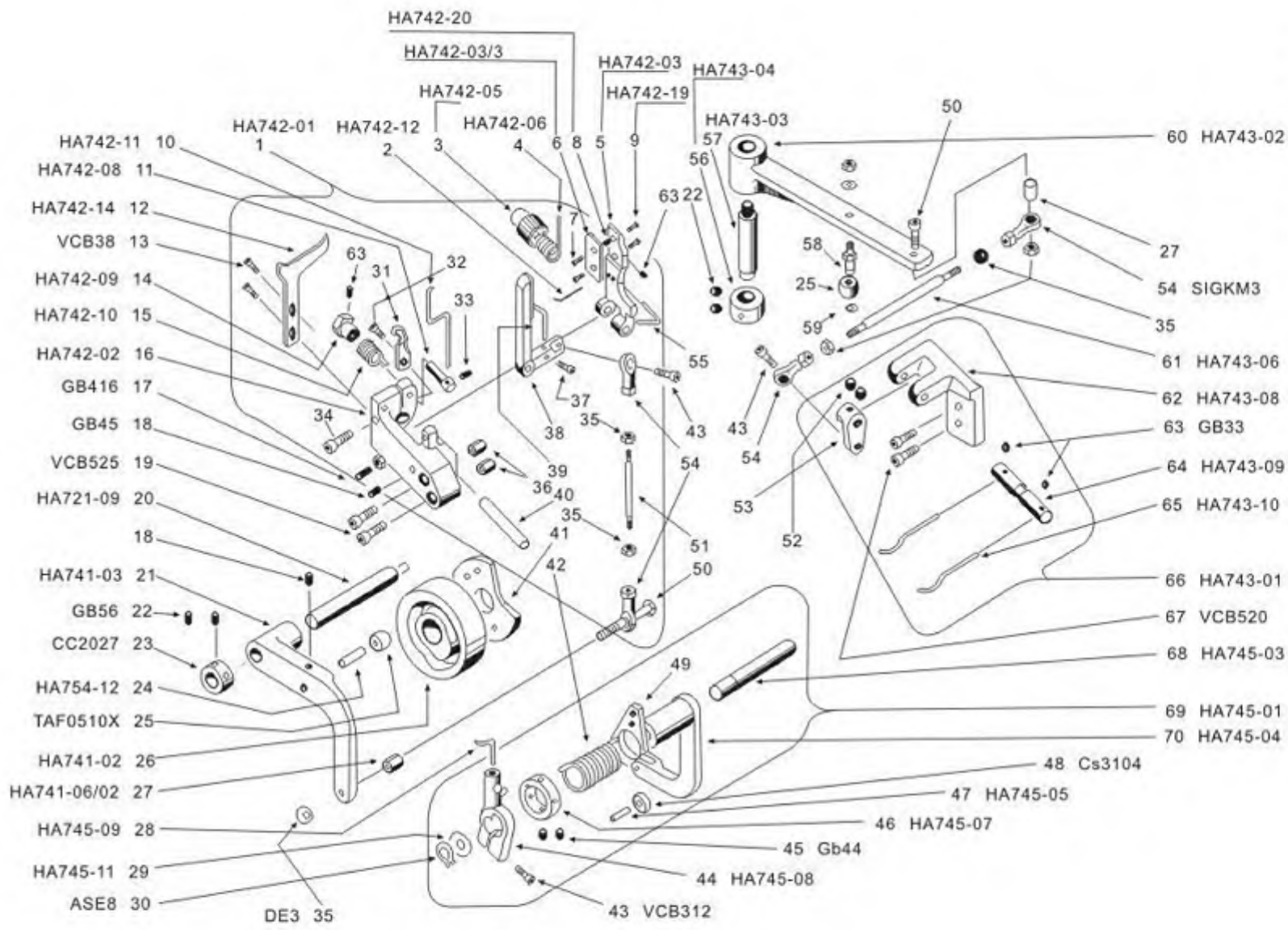


20 HA722-03
 21 HA721-03

序号	数量	名称	name	序号	数量	名称	name
1	2	有头螺钉	Hex.soc.flat hd.cap screw	33	1	铰链短轴	Hinge stud
2	4	有头螺钉	Hex.soc.hd.cap screw	34	1	圆环	Ring
3	1	固定轮	Stationary wheel	35	1	右盖板	Right and cover plate
4	1	下钩线盘	Wheel	36	1	铰链叉	Hinge fork
5	1	轮毂	Hub	37	2	螺钉	Screw
6	1	定位螺丝	Hex.soc.set screw	38	1	固定器	Holder
7	1	装载凸轮销钉	Cam for(hreadloader)wheel	39	1	下送线指	Thread loader
8	3	有头螺钉	Hex.soc.hd.cap screw	40	1	有头螺钉	Hex.soc.hd.cap screw
9	1	有头螺钉	Hex.soc.hd.cap screw	41	1	辊子轴套	Rollers bearing
10	1	滑轮轴	Sheave shaft	42	1	螺钉螺柱	Screw stud
11	1	轴承	Bearing	43	1	装载杆	Roller stud
12	2	有头螺钉	Hex.soc.hd.cap screw	44	1	螺旋套	Flat washer
13	10	有头螺钉	Hex.soc.hd.cap screw	45	1	辊子螺柱	Hex nut
14	2	有头螺钉	Hex.soc.hd.cap screw	46	1	平垫圈	Hex.soc.set screw
15	1	左盖板	Left and cover plate	47	1	螺旋套	Hex.soc.hd.cap screw
16	1	针板支架框	Throat plate support frame	48	2	定位螺丝	
17	1	线分离器	Thread separator	49	1	有头螺钉	
18	1	线导向板	Thread guide plate				
19	2	销钉	Dowel pin				
20	2	有头螺钉	Hex.soc.flat hd.cap screw				
21	1	旋转钩针	Rotary hook				
22	1	有头螺钉	Hex.soc.hd.cap screw				
23	1	护针头	Needle guide				
24	1	接合销	Dowel pin				
25	1	线移动装置	Thread shifter assembly				
26	2	定位螺丝	Hex.soc.set screw				
27	2	球接头	Articulated(endpiece)				
28	1	螺钉	Screw				
29	2	螺旋套	Hex nut				
30	1	连杆	Connecting rod				
31	1	有头螺钉	Hex.soc.flat hd.cap screw				
32	1	垫圈	washer				



序号		数量	名称	name	序号		数量	名称	name
1	HA742-01	1	张力组件	Tension assembly	37	VCB36	1	有头螺钉	Hex.soc.hd.cap screw
2	HA742-12	1	线固定钩	Thread holder hook	38	HA742-04	1	右夹线板	Left hand tension prong
3	HA742-05	1	滚花螺母	Spring tensioning drum	39	HA742-17	1	止动杆	Stop lever
4	HA742-06	2	扭转弹簧	Torsion spring	40	HA742-07	1	铰链轴	Hinge shaft
5	HA742-03	1	右夹线板	Ring hand tension prong	41	HA745-02	1	下送线钩凸轮	Pull off finger cam
6	HA742-03/3	1	右张力叉板	Plate	42	HA745-12	1	扭转弹簧	Torsion spring
7	HA742-21	2	有头螺钉	Hex.soc.flat hd.cap screw	43	VCB312	3	有头螺钉	Hex.soc.hd.cap screw
8	HA742-20	1	止动螺钉弹簧	Stop screw spring	44	HA745-08	1	下送线钩座	Theead shifter lever
9	HA742-19	2	止动螺钉	Stop screw	45	GB44	2	有头螺钉	Hex.soc.hd.cap screw
10	HA742-11	1	钢丝线钩	Thread pusher hook	46	HA745-07	1	调整轴环	Adjusting collar
11	HA742-08	1	线推动螺栓	Thread pusher stud	47	HA745-05	1	辊子	Roller
12	HA742-14	1	线支架板	Thread support plate	48	CS3104	1	滚珠轴承	Ball bearing
13	VCB38	2	有头螺钉	Hex.soc.hd.cap screw	49	HA745-13	1	卡爪	Pawl
14	HA742-09	1	弹簧张力滚筒	Spring tensioning drum	50	VCB325	2	有头螺钉	Hex.soc.hd.cap screw
15	HA742-02	2	扭转弹簧	Torsion spring	51	HA742-15	1	连接杆	Connecting rod
16	HA742-02	1	张力支架	(pre-tensioning)support	52	GB55	2	定位螺丝	Hex.soc.set screw
17	GB416	1	定位螺丝	Hex.soc.set screw	53	HA743-07	1	针提升连接杆	Thread lifter connecting rod
18	GB45	2	定位螺丝	Hex.soc.set screw	54	SIGKM3	4	球接头	Articulated endpiece
19	VCB525	2	有头螺钉	Hes.soc.hd.cap screw	55	HA742-16	1	线擦拭手指	Thread wiping finger
20	HA721-09	1	铰链销钉	Hinge stud	56	HA743-04	1	圆环	Ring
21	HA741-03	1	张力驱动杆	Tension driver lever	57	HA743-03	1	销钉	Pin for lever
22	GB56	4	定位螺丝	Hex.soc.set screw	58	HA743-05	1	辊子螺栓	Roller stud
23	CC2027	1	圆环	Ring	59	ASE5	1	卡环	Ring
24	HA754-12	1	短轴	Stud	60	HA743-02	1	针提升杆	Thread lifting lever
25	TAF0510X	2	辊子轴承	Rollers bearing	61	HA743-06	1	连接杆	Tie-rod
26	HA741-02	1	夹线器凸轮	Tension drive cam	62	HA743-08	1	挑线钩座	Thread lifter support
27	HA741-06/2	2	螺丝套筒	Screw stud	63	GB33	4	定位螺丝	Hex.soc.set screw
28	HA745-09	1	下送线钩	Hook	64	HA743-09	1	线提升手指轴	Thread lifting finger shaft
29	HA745-11	1	垫圈	Washer	65	HA743-10	2	挑线钩	Thread lifter
30	ASE8	1	卡环	Ring	66	HA743-01	1	线掉升手指组件	Thread lifting finger assembly
31	HA742-18	1	止动杆	Stop lever	67	VCB520	2	有头螺钉	Hex.soc.hd.cap screw
32	HA753-12	1	螺丝	Throat plate screw	68	HA745-03	1	防护轴	Needle guard carrier shaft
33	GB34	1	定位螺丝	Hex.soc.set screw	69	HA745-01	1	线提升组件	Thread shifter assembly
34	VCB420	1	有头螺钉	Hex.soc.hd.cap screw	70	HA745-04	1	线提升控制杆	Thread shifter controllever
35	DE3	6	螺旋套	Hex nut					
36	HA742-13	2	销轴套	Bushing dowel					

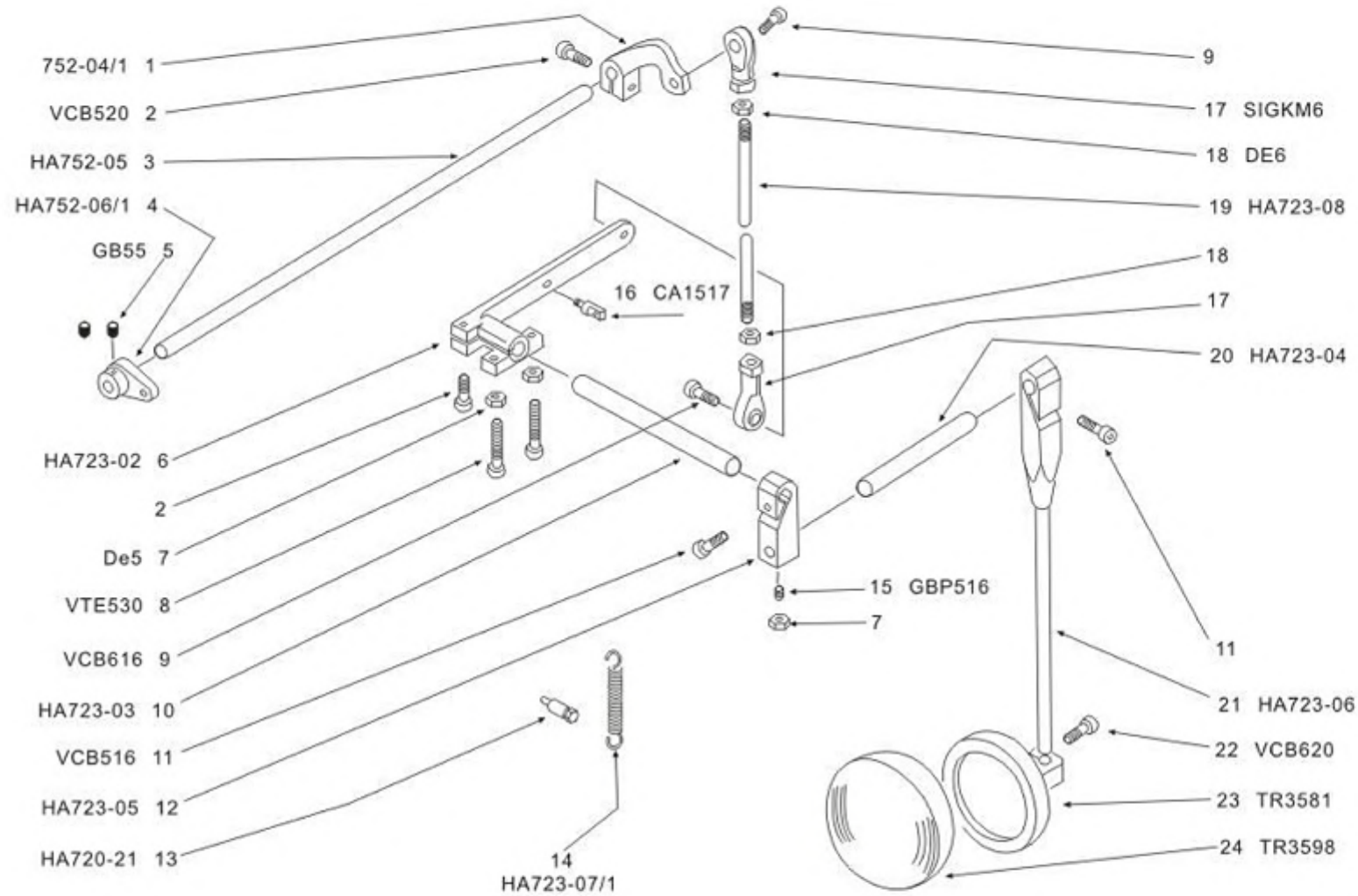


- 7 HA742-21
- 31 HA742-18
- 32 HA753-12
- 33 GB34
- 34 VCB420
- 36 HA742-13
- 37 VCB36
- 38 HA742-04
- 39 HA742-17
- 40 HA742-07
- 41 HA745-02
- 42 HA745-12
- 49 HA745-13
- 50 VCB325
- 51 HA742-15
- 52 GB55
- 53 HA743-07
- 55 HA742-16
- 58 HA743-05
- 59 ASE5

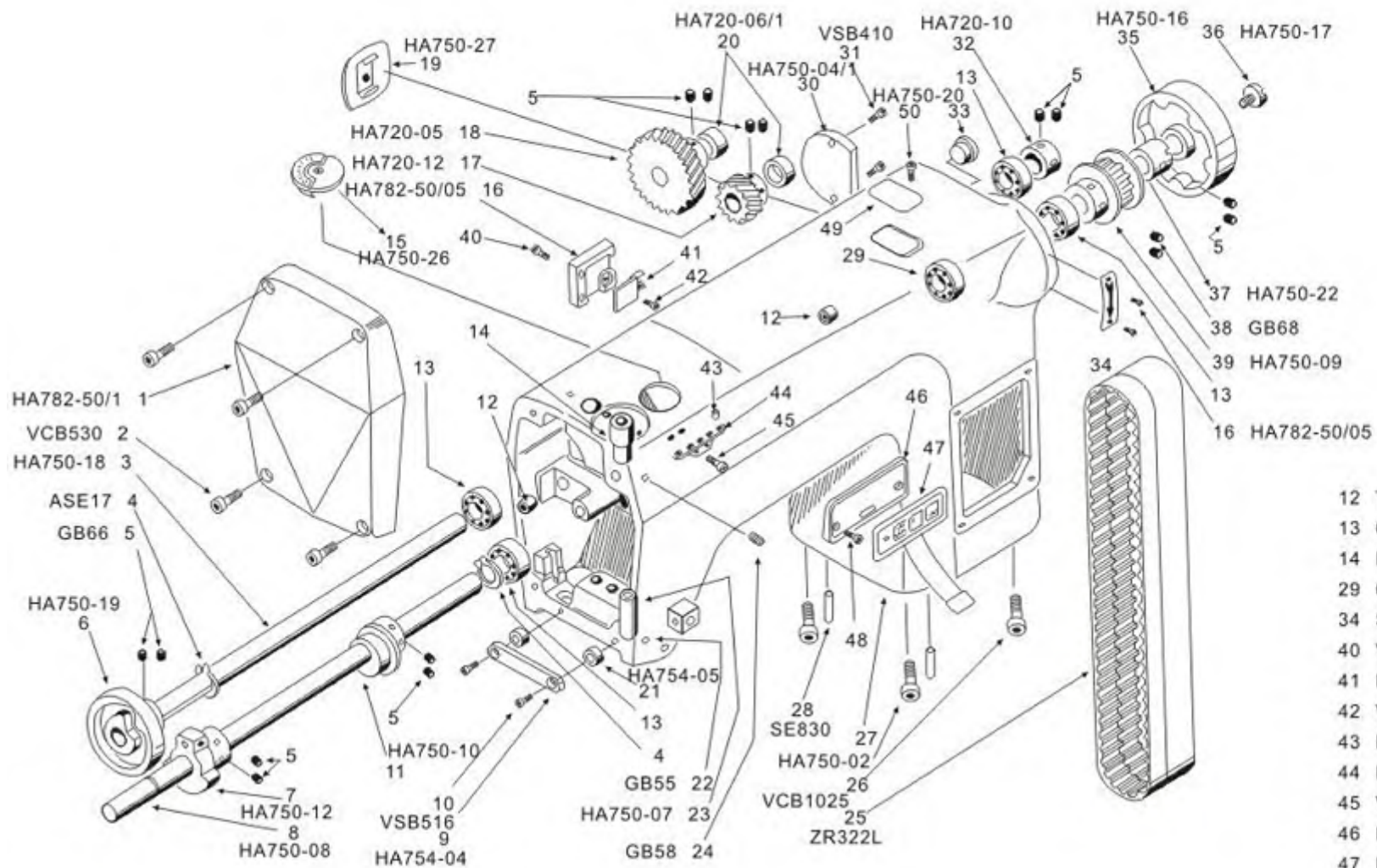
- 60 HA743-02
- 61 HA743-06
- 62 HA743-08
- 63 GB33
- 64 HA743-09
- 65 HA743-10
- 66 HA743-01
- 67 VCB520
- 68 HA745-03
- 69 HA745-01
- 70 HA745-04

- 48 Cs3104
- 47 HA745-05
- 46 HA745-07
- 45 Gb44
- 44 HA745-08
- 43 VCB312

序号		数量	名称	name
1	HA752-04/1	1	压脚提升杆	Foot lifter lever
2	VCB520	2	有头螺钉	Hex.soc.hd.cap screw
3	HA752-05	1	压脚提升轴	Foot lifter shaft
4	HA752-06/1	1	提升曲柄	Lifting crank
5	GB55	2	定位螺丝	Hex.soc.set screw
6	HA723-02	1	传力杆	Knee lifter connection lever
7	DE5	3	螺旋套	Hex nut
8	VTE530	2	螺钉	Hex.hd.screw
9	CVB616	2	有头螺钉	Hex.soc.hd.cap screw
10	HA723-03	1	曲柄枢轴	Knee lever pivot shaft
11	VCB516	2	有头螺钉	Hex.soc.hd.cap screw
12	HA723-05	1	调整接头	Adjusting joint
13	HA720-21	1	螺纹螺栓	Screw stud
14	HA723-07/1	1	螺旋弹簧	Coil spring
15	GBP516	1	定位螺丝	Hex.soc.set screw
16	CA1517	1	导线螺栓	Thread guide
17	SIGKM6	2	球接头	Articulated(endpiece)
18	DE6	2	螺旋套	Hex nut
19	HA723-08	1	连接杆	Connecting rod
20	HA723-04	1	杆轴	Lever stud
21	HA723-06	1	提升压脚膝控杆	Knee rod lever
22	VCB620	1	有头螺钉	Hex.soc.ha.cap screw
23	TR3581	1	提升板	Knee device
24	TR3598	1	提升板垫片	Knee lever pad



序号		数量	名称	name	序号		数量	名称	name
1	HA782-50/1	1	车头盖	Nose section	34	SA007.34	1	箭头标签	Tag with arrow
2	VCB530	4	有头螺钉	Hex.soc.hd.cap screw	35	HA750-16	1	手轮	Hand wheel
3	HA750-18	1	下凸轮轴	Lower cam shaft	36	HA750-17	1	手轮螺钉	Hand wheel screw
4	ASE17	2	卡环	Ring	37	HA750-22	1	正时轴环	Timing collar
5	GB66	14	定位螺丝	Hex.soc.set screw	38	GB68	2	定位螺丝	Hex.soc.set screw
6	HA750-19	1	上勾线钩凸轮	Upper looper driver cam	39	HA750-09	1	上正时皮带轮	Upper timing belt pulley
7	HA750-12	1	针棒曲柄	Needlebar crank	40	VCB316	2	有头螺钉	Hex.soc.hdcap.screw
8	HA750-08	1	上主轴	Upper main shaft	41	HA782-50/7	1	按钮带小连接板	Small connection board for button-strip
9	HA754-04	1	上导杠杆	Lever guide	42	VCB254	2	有头螺钉	Hex.soc.hd.cap.screw
10	VSB516	2	有头螺钉	Hex.soc.flat hd.cap screw	43	PLASTIC25	5	凸缘管	Flanged tube
11	HA750-10	1	上送布提升偏心轮	Walking presser lifting eccentric	44	HA760-06	1	线分流器	Thread guide
12	TLA0810Z	2	轴承座套	Rollerbearing sleeve	45	VCB48	2	有头螺钉	Hex.soc.hd.cap.screw
13	6003-2NSE	4	滚珠轴承	Ball bearing	46	HA782-50/4	1	键盘支架底座	Support base for keyboard
14	HA750-06	1	上针棒轴套	Upper needle bar bushing					
15	HA750-26	1	入口盖	Access cover	47	HA782-50/6	1	三按钮薄膜带	Three-button membrane button strip
16	HA782-50/05	1	支架底座连接板	Support base for connecion board	48	VCB36	2	有头螺钉	Hex.soc.hd.cap screw
17	HA720-12	1	主动齿轮	Driving gear	49	HA750-32	1	开入螺钉板	Plate with opening for accessto gears screws
18	HA720-05	1	传动齿轮	Driver gear					
19	HA750-27	1	入口盖	Access cover	50	VCB48	1	有头螺钉	Hex.soc.hd.cap screw
20	HA720-06/1	2	隔离套	Spacer					
21	HA754-05	2	隔离套	Spacer					
22	GB55	1	定位螺丝	Hex.soc.set screw					
23	HA750-07	1	下针棒轴套	Lower needle bar bushing					
24	GB58	1	定位螺丝	Hex.soc.set screw					
25	ZR322L	2	带齿皮带	Cogged belt					
26	VCB1025	4	有头螺钉	Hex.soc.hd.cap screw					
27	HA750-02	1	机头	Arm					
28	SE830	2	销钉	Spring pin					
29	6000LLB/2A01	1	滚珠轴承	Ball bearing					
32	HA720-10	1	圆环	Ring					
33	HA750-20	1	塞子	Plug					



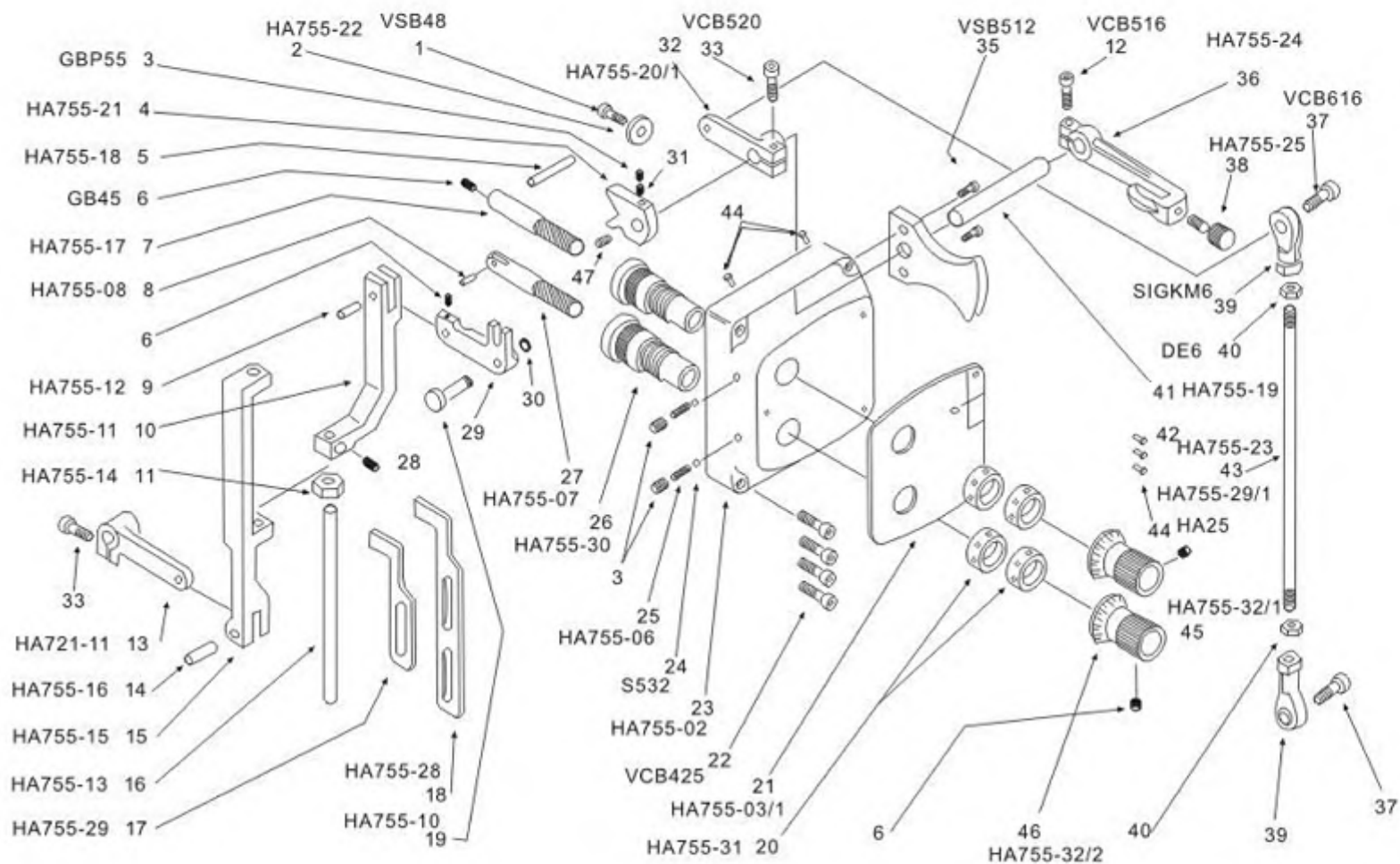
- HA782-50/1 1
- VCB530 2
- HA750-18 3
- ASE17 4
- GB66 5
- HA750-19 6
- HA750-12 7
- HA750-08 8
- HA750-10 11
- VSB516 9
- HA754-04 10
- HA754-05 21
- GB55 22
- HA750-07 23
- GB58 24

- 12 TLA0810Z
- 13 6003-2NSE
- 14 HA750-06
- 29 6000LLB/2A01
- 34 SA007.34
- 40 VCB316
- 41 HA782-50/7
- 42 VCB254
- 43 PLASTIC25
- 44 HA760-06
- 45 VCB48
- 46 HA782-50/4
- 47 HA782-50/6
- 48 VCB36
- 49 HA750-32
- 50 VCB48

- HA750-27 19
- HA720-05 18
- HA720-12 17
- HA782-50/05 16
- HA750-26 15
- HA720-06/1 20
- HA750-04/1 30
- VSB410 31
- HA750-20 33
- HA720-10 32
- HA750-16 35
- HA750-17 36
- HA750-22 37
- GB68 38
- HA750-09 39
- HA782-50/05 16

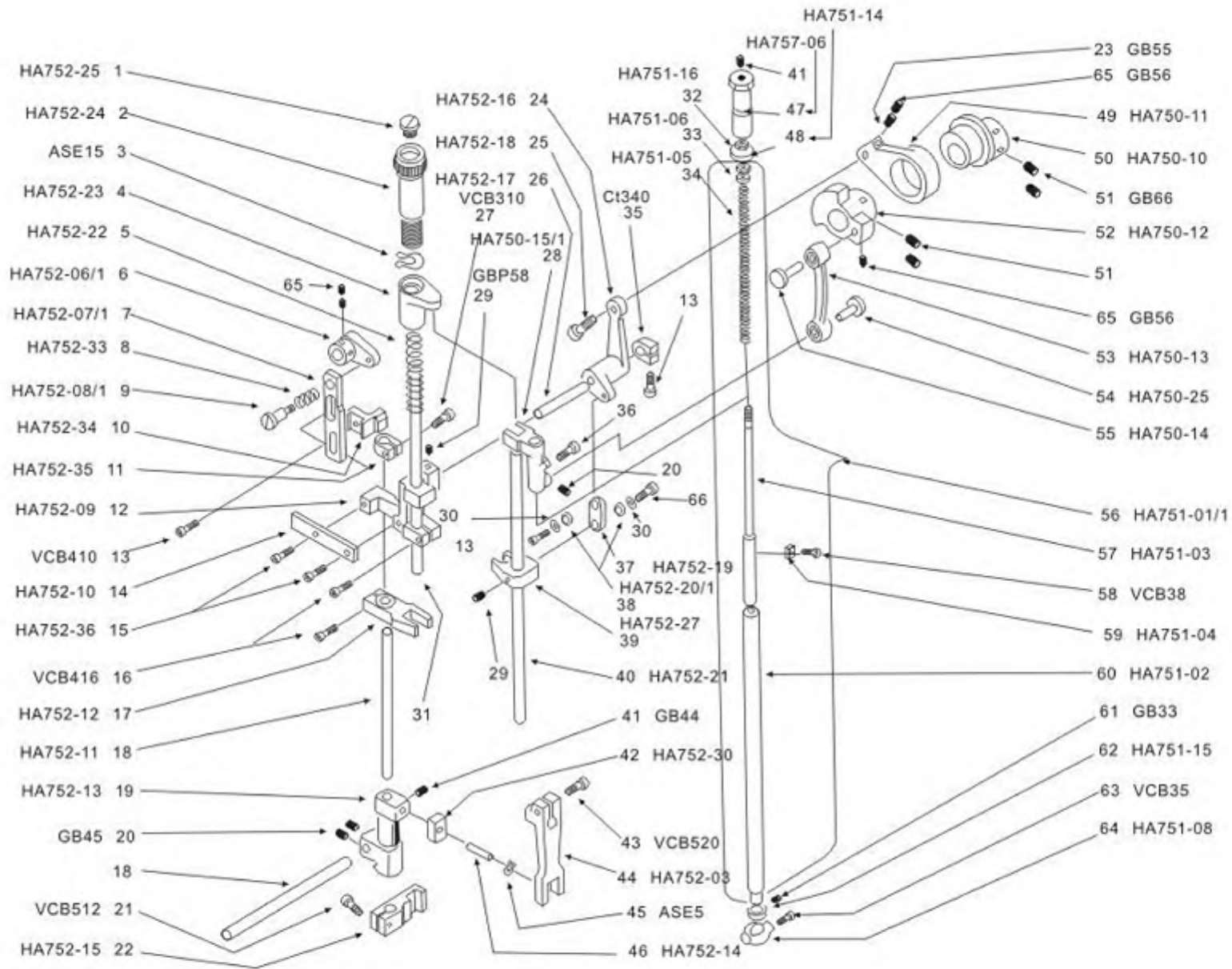
- 12
- 13
- 14
- 29
- 34
- 40
- 41
- 42
- 43
- 44
- 45
- 46
- 47
- 48
- 49
- 50

序号	数量	名称	name	序号	数量	名称	name
1	1	有头螺钉	Hex.soc.flat hd.cap screw	33	2	有头螺钉	Hex.soc.hd cap screw
2	1	止动垫圈	Stop washer	35	2	有头螺钉	Hex.soc.flat hd.cap screw
3	3	定位螺丝	Hex.soc.set screw	36	1	调节手柄	Stitch inverting lever
4	1	针顺序转化棱块	stitch Sequence inversion prism	37	2	有头螺钉	Hex.soc.hd.cap screw
5	1	辊子	Roller	38	1	滚花头螺钉	Knurled head screw
6	4	定位螺丝	Hex.soc.set screw	39	2	球接头	Articulated(endpiece)
7	1	线迹调整螺钉	Stitch regulation screw	40	2	螺旋套	Hex nut
8	1	辊子	roller	41	1	转化轴	Stitch inversion spindle
9	1	辊子	roller	42	1	转化导向板	Stitch inverting lever guide plate
10	1	连接杆	Linkage lever	43	1	连杆	Connecting rod
11	1	防震动圈	Shock absorber grommet	44	5	铆钉	Rivet
12	1	有头螺钉	Hex.soc.hd.cap screw	45	1	珠点旋钮	Dial knob
13	1	线迹长短控制杆	Stitch-lengthner control lever	46	1	线迹旋钮	Dial knob
14	1	连接销钉	Connection stud	47	1	定位螺丝	Hex.soc.set screw
15	1	针长度控制杠杆	Stitch length control				
16	1	引导棒	Guide bar				
17	1	最小线迹限制器	Minimum stitch length limit stop				
18	1	最大线迹限制器	Maximum stitch length limit stop				
19	1	铰链销钉	Hinge pin				
20	4	螺旋套桶	Ring nut for bush				
21	1	标度盘板	Panel dial plate				
22	2	有头螺钉	Hex.soc.hd.cap screw				
23	2	线迹控制面板机壳	Stitch length control panel housing				
24	2	滚珠	Ball				
25	1	弹簧	Spring				
26	1	线迹调整螺母	Stitch regulation nut				
27	1	线迹长度调整螺丝	Stitch length regulating screw				
28	1	定位螺丝	Hex.soc.set screw				
29	1	控制叉杆	Stitch length fork lever				
30	1	卡环	Ring				
31	1	定位螺丝	Hex.soc.set screw				
32	1	校正控制杆	Stitch correction control lever				

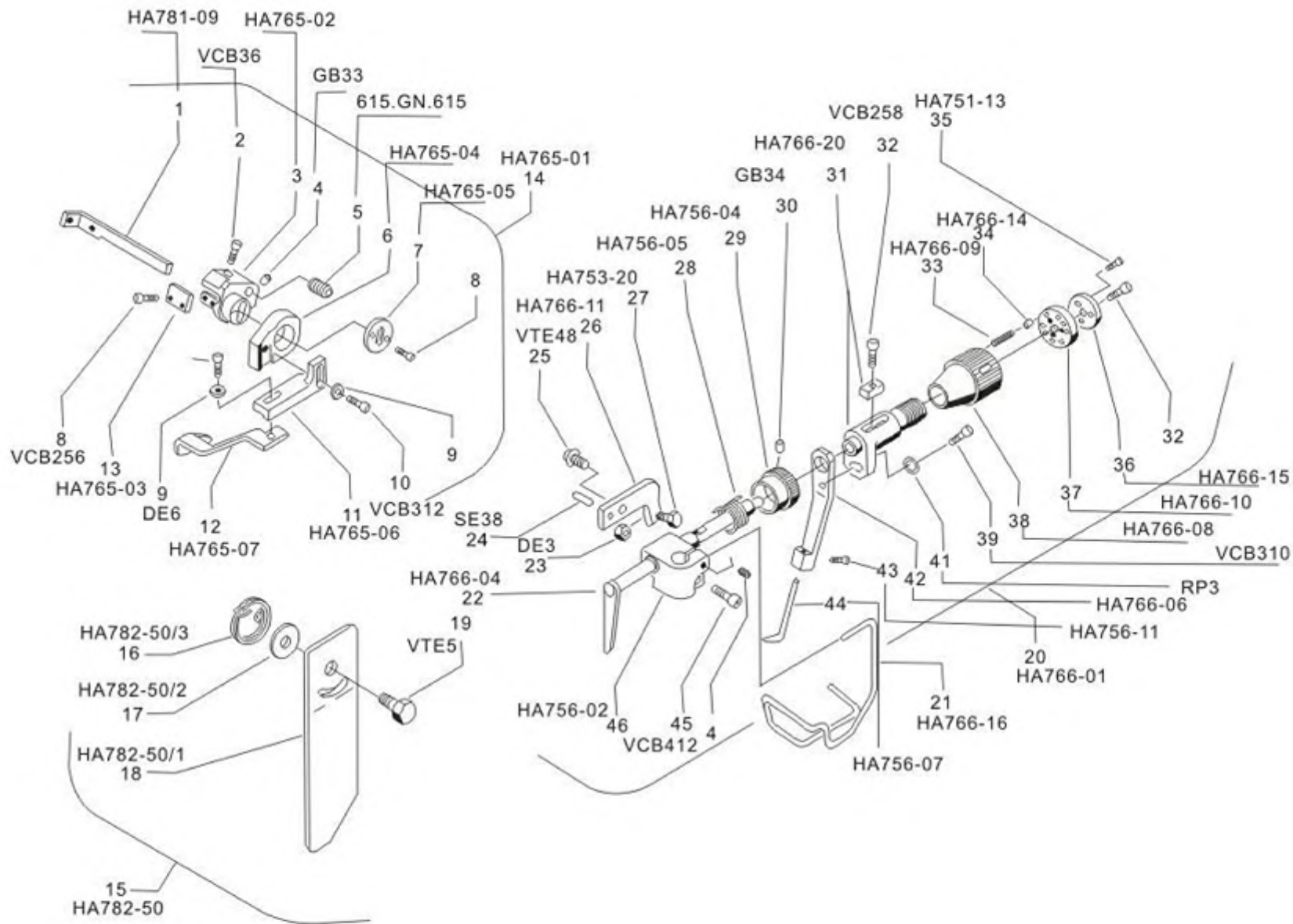


- 28 GBP58
- 29 HA755-09
- 30 ASE6
- 31 GB56
- 47 GB58

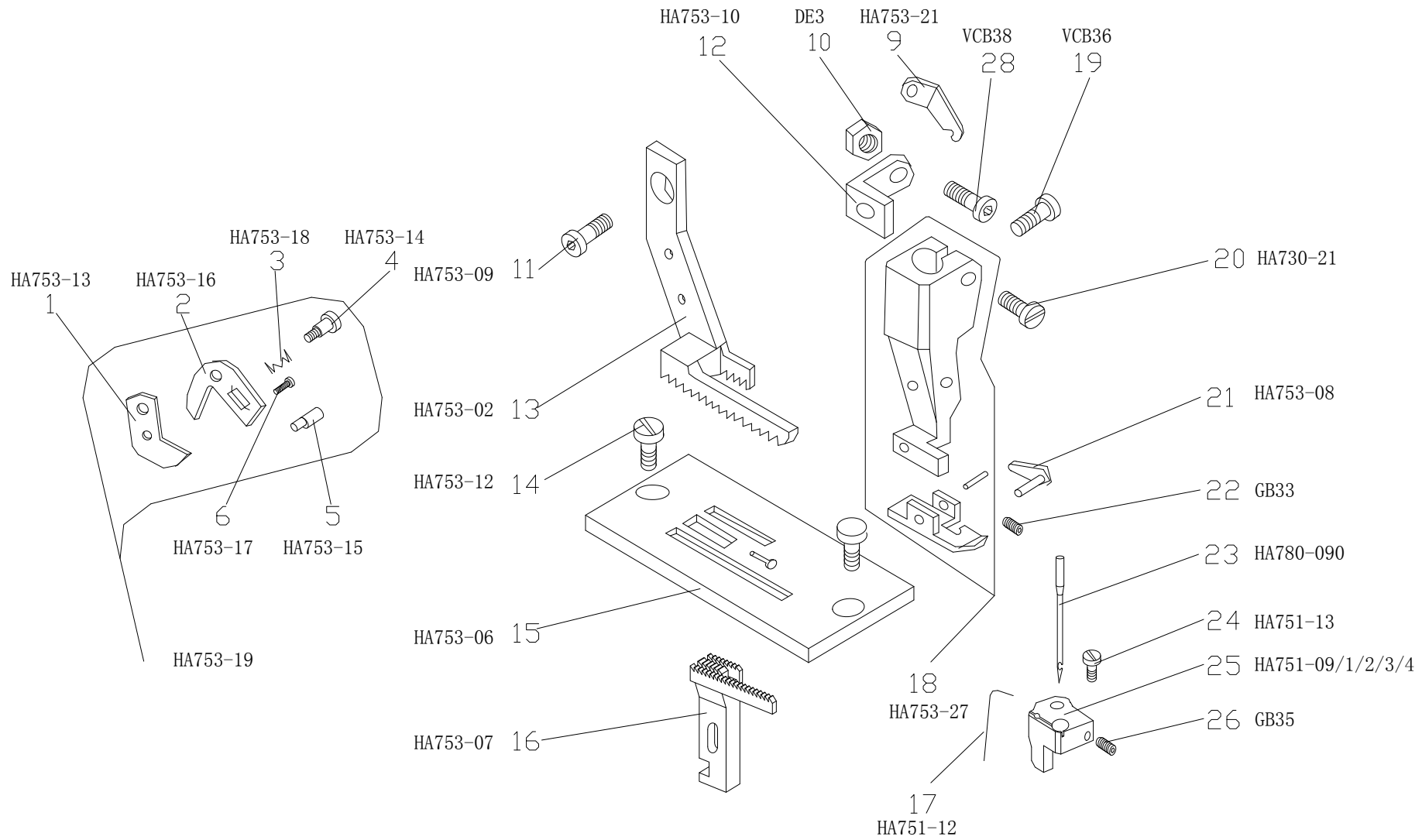
序号		数量	名称	name	序号		数量	名称	name
1	HA752-25	1	螺塞	Plug screw	34	Ha751-05	1	针棒弹簧	Needle bar spring
2	HA752-24	1	压力调节螺钉	Pressure regulator screw	35	CT340	1	夹钳	Clamp
3	ASE15	1	卡环	Ring	36	VCB412	1	有头螺钉	Hex.soc.hd.cap screw
4	HA752-23	1	压力调节螺旋套	Pressure regulator nut	37	HA752-19	1	链环	Link
5	HA752-22	1	弹簧	Spring	38	HA752-20/1	2	轴环	Colar
6	HA752-06/1	1	提升曲柄	Lifting crank	39	HA752-27	1	压脚提升车钩联杆	Foot-lifter
7	HA752-07/1	1	引导压脚提升链环	Presser feet lifting link	40	HA752-21	1	压脚杆	Draword
8	HA752-33	1	弹簧	Spring	41	GB44	2	定位螺丝	Presser bar
9	HA752-08/1	1	一字螺钉	Shoulder screw	42	HA752-30	1	小块	Small block
10	HA752-34	1	凹凸块	Cam block	43	VCB520	1	有头螺钉	Hex.soc.hd.cap screw
11	HA752-35	1	夹圈	Clamp collar	44	HA752-03	1	叉杆	Fork lever
12	HA752-09	1	压脚提升支架	Foot-lifter bracket	45	ASE5	1	卡环	Ring
13	VCB410	2	有头螺钉	Hex.soc.hd.cap screw	46	HA752-14	1	短轴	Stud
14	HA752-10	1	引导杆	Guide	47	HA757-06	1	调节帽	Adjust table cap
15	HA752-36	2	一字螺钉	Shoulder screw	48	HA751-14	1	垫圈	Cushion ring
16	VCB416	2	有头螺钉	Hex.soc.hd.cap screw	49	HA750-11	1	连接滑块	Connecting link
17	HA752-12	1	导叉	Guide fork	50	HA750-10	1	上送布提升偏心轮子	Walking presser lifting eccentric
18	HA752-11	2	滑块棒	Slider bar	51	GB66	4	定位螺丝	Hex.soc.set screw
19	HA752-13	1	压脚驱动轴套	Presser foot drive bushing	52	HA750-12	1	针棒曲柄	Needle bar crank
20	GB45	3	定位螺丝	Hex.soc.set screw	53	HA750-13	1	轴承连接滑块	Connection link with bearing
21	VCB512	1	有头螺钉	Hex.soc.hd.cap screw	54	HA750-25	1	铰链销钉	Hinge pin
22	HA752-15	1	步行压脚运行架	Walking presser holder	55	HA750-14	1	铁钉	Pin for con-rod
23	GB55	1	定位螺丝	Hex.soc.hd.cap screw	56	HA751-01/1	1	针棒组件	Needle bar assembly
24	HA752-16	1	曲柄	Belt crank	57	HA751-03	1	小针杆	Fabric-holder rod
25	HA752-18	1	铰链销钉	Hinge pin	58	VCB38	1	有头螺钉	Hex.soc.hd.cap screw
26	HA752-17	1	枢轴	Pivot shaft	59	HA751-04	1	滑块	Side block
27	VCB310	1	有头螺钉	Hex.soc.hd.cap screw	60	HA751-02	1	针杆	Needle bar rod
28	HA750-15/1	1	传动节	clamp	61	GB33	1	定位螺丝	Hex.soc.set screw
29	GBP58	2	定位螺丝	Hex.soc.set screw	62	HA751-15	1	挡圈	Needle stop collar
30	AR04010	2	弹簧	Spring	63	VCB35	1	有头螺钉	Hex.soc.hd.cap screw
31	HA752-26	1	导向杆	Guide bar	64	HA751-08	1	定针套	Needle camp
32	HA751-16	1	垫圈	Cushion ring	65	GB66	4	定位螺丝	Hex.soc.set screw
33	HA751-06	1	针棒钳	Needle bar clamp	66	HA752-20	2	有头螺钉	Hex.soc.hd.cap screw



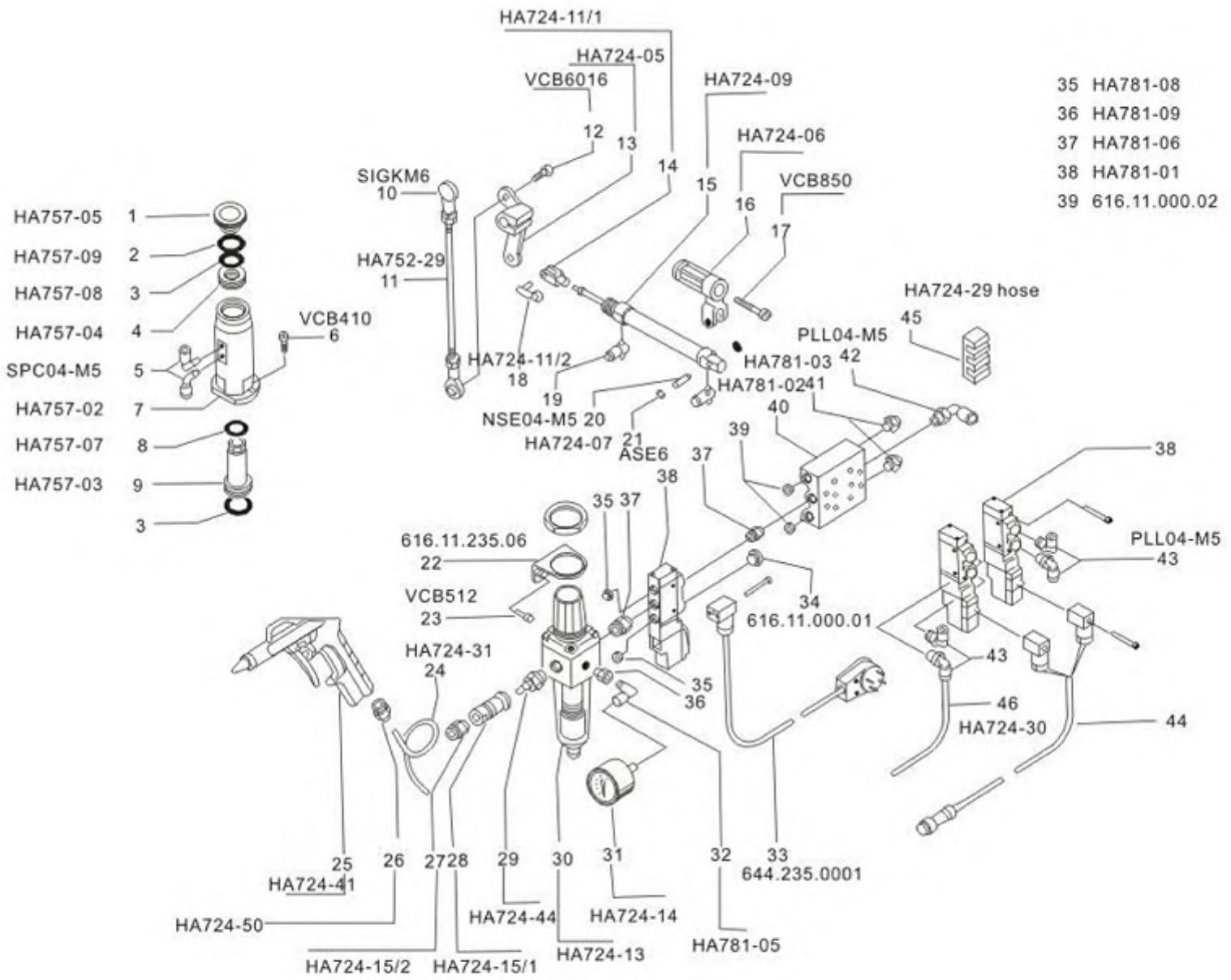
序号	数量	名称	name	序号	数量	名称	name		
1	HA781-09	2	引导支架	Edge guide support bracket	32	VCB258	2	有头螺钉	Hex.soc.hd.cap screw
2	VCB36	1	有头螺钉	Hex.soc.hd.cap screw	33	HA766-09	1	弹簧	Spring for pawl
3	HA765-02	2	可伸缩滑动支架	Sliding support for retractable edge guide	34	HA766-14	1	滚珠卡爪	Ball pawl
4	GB33	1	定位螺丝	Hex.soc.set screw	35	HA751-13	3	线爪连接螺钉	Latch wire fastening screw
5	615.GN.615	1	滚珠螺钉	Ball presser	36	HA766-15	1	垫圈	Washer
6	HA765-04	1	转向引导支架	Rotating lever for retractable edge guide	37	HA766-10	1	外加圆	Impressed disc
7	HA765-05	1	垫圈	Washer for retractable edge guide	38	HA766-08	1	松线调节按钮	Stitch slackening adjustment knob
8	VCB2-256	4	有头螺钉	Hex.soc.hd.cap screw	39	VCB310	1	有头螺钉	Hex.soc.hd.cap screw
9	DE6	2	平垫圈	Flat washer	41	RP3	1	垫圈	Washer
10	VCB312	1	有头螺钉	Hex.soc.hd.cap screw	42	HA766-06	1	松线杆	Stitch slackening lever
11	HA765-06	1	调节引导支架	Adjustment support for retractable edge guide	43	HA756-11	1	连接螺钉	Fastening screw cap
12	HA765-07	1	掀钮引导支架	Snap retractable edge guide	44	HA756-07	1	松线钩	Stitch slackening finger
13	HA765-03	1	锁板	Lock plate for snap retractable edge guide	45	VCB412	1	有头螺钉	Hex.soc.hd cap screw
14	HA765-01	1	掀钮可伸缩引导组件	Snap retractable edge guide assembly	46	HA756-02	1	支座右铭	Stitch slackening shaft bushing
15	HA782-50	1	眼防护组件	Eyes guard return spring					
16	HA782-50/3	1	眼防护复位弹簧	Eyes guard return spring					
17	HA782-50/2	1	线圈	Threaded washer					
18	HA782-50/1	1	眼防护片	Eyes guard protection					
19	VTE5	1	针防护销钉	Needle protection pin					
20	HA766-01	1	松线组件	Stitch slackening assembly with clamp					
21	HA766-16	1	防护手指	Ringer guard					
22	HA766-04	1	松线杠杆	Stitch slackening lever					
23	DE3	1	螺旋套	Hex nut					
24	SE38	1	平行销钉	Parallel pin					
25	VTE48	1	凸头螺钉	Convex-headed screw					
26	HA766-11	1	杠杆锁	Lever lock					
27	HA753-20	1	止动螺钉	Stop screw					
28	HA7556-05	1	扭转弹簧	Torsion spring					
29	HA756-04	1	扭簧套帽	Spring housing cap					
30	GB34	1	定位螺丝	Hex.soc.set screw					
31	HA766-20	1	松线组件	Threaded sleeve					



序号		数量	名称	name	序号	数量	名称	name
1	HA753-13	1	固定线剪叶片	Thread cutter guide	27	HA753-11	“M.P”步行压脚组件	Presser feet assembly”M.P”
2	HA753-16	1	上刀片	Thread cutter	28	VCB38	有头螺钉	Hex.soc.hd.cap screw
3	HA753-18	1	弹簧	Spring				
4	HA753-14	1	线剪叶片螺钉	Thread cutter screw				
5	HA753-15	1	偏心销	Eccentric stud				
6	HA753-17	1	螺钉	Screw				
7	HA753-19	1	“N.P”线剪叶片组件	Thread cutter assembly”N.P”				
8	HA753-33	1	“N.P”缝纫组件	Sewing unit ”M.P”				
9	HA753-21	1	导线钩	Thread guide				
10	HADE3	1	螺旋套	Hex nut				
11	HA753-09	1	螺钉	Screw				
12	HA753-10	1	止动杆	Stip lever				
13	HA753-02	1	上送布牙	Walking presser				
14	HA753-12	2	针板螺钉	Throat plate screw				
15	HA753-06	1	针板	Plate				
16	HA753-07	1	上送布牙	Drop feed dog				
17	HA753-12	1	线爪	Latch wire				
18	HA753-27	1	“M.P”步行压脚	Presser feet “M.P”				
19	VCB36	1	有头螺钉	Hex.soc.hd.cap screw				
20	HA730-07	1	送料挡块高度调节螺钉	Feed dog height adjustmeng screw				
21	HA753-08	1	边引导器	Integrated edge guide				
22	GB33	1	定位螺丝	Hex.soc.set screw				
23	HA780-090	1	780C 90 型针	Needle gauge 90 system 780C				
23	HA780-100	1	780C 100 型针	Needle gauge 100 system 780C				
23	HA780-110	1	780C 110 型针	Needle gauge 110 system 780C				
23	HA780-125	1	780C 125 型针	Needle gauge 125 system 780C				
24	Ha751-13	1	线爪紧针固定器	Latch wire fastening screw				
25	HA751-09/1	1	90 型针封针座	Fabric holder for needle siae 90				
25	HA751-09/2	1	100 型针封针座	Fabric holder for needle siae 100				
25	HA751-09/3	1	110 型针封针座	Fabric holder for needle siae 110				
25	HA751-09/4	1	125 型针封针座	Fabric holder for needle siae 125				
26	Gb35	1	定位螺丝	Hex.soc.set screw				

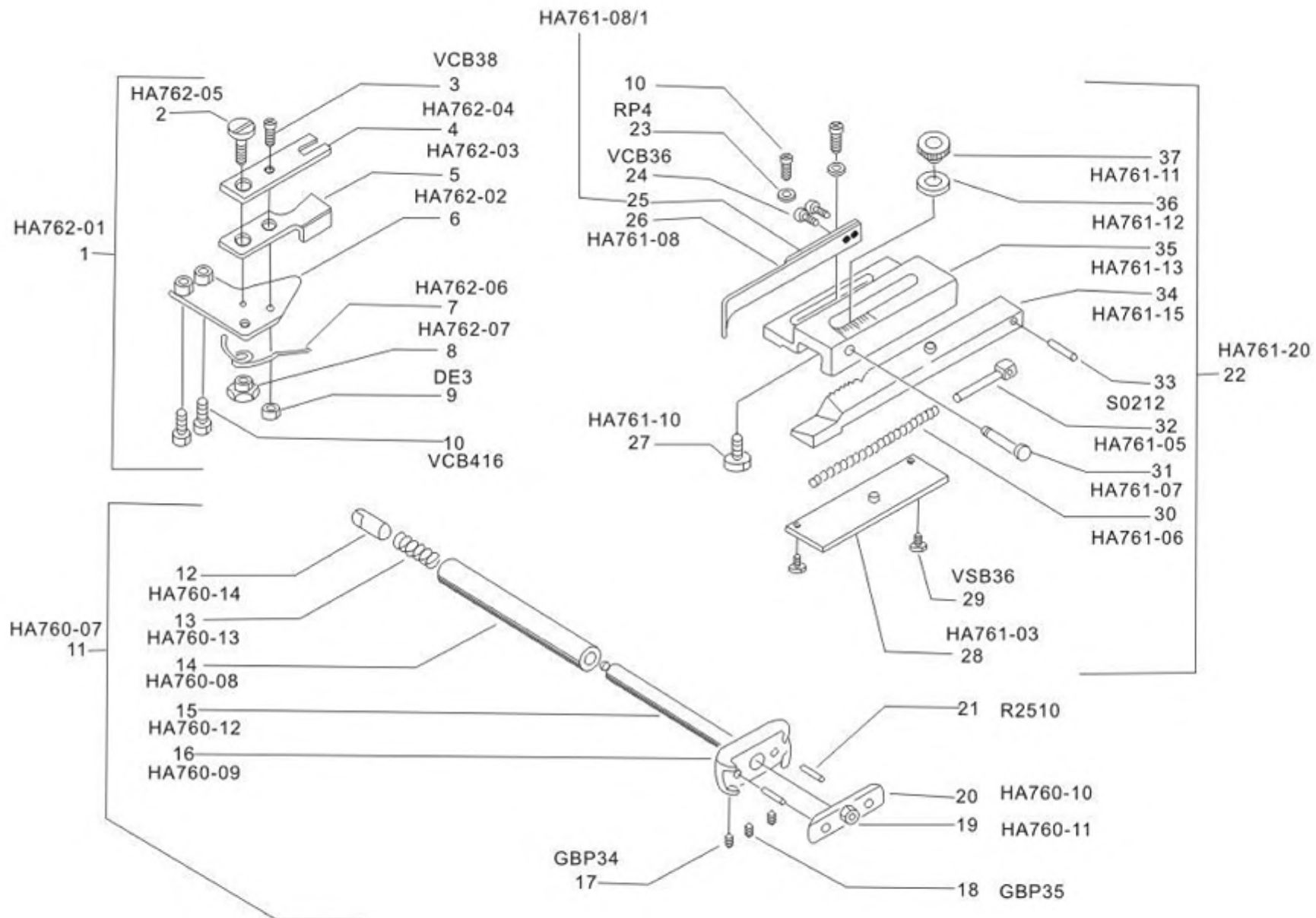


序号		数量	名称	name	序号		数量	名称	name
1	HA757-05	1	阀罩	Cylinder cap	33	644.235.0001	1	连接器	Connector
2	HA757-09	1	垫圈	02081 washer	34	616.11.000.01	1	螺旋塞	Screw plug
3	HA757-08	2	垫圈	Washer	35	HA781-08	2	消声器	Muffler
4	HA757-04	1	螺纹引导器	Threaded guide	36	HA781-09	1	延伸连接器	Extension
5	SPC04M5	2	肘管连接器	Elbow pneumatic coupler	37	HA781-06	2	螺纹连接头	Nipple
6	VCB410	2	有头螺钉	Hex.soc.hd.cap screw	38	HA781-01	3	电阀	Electro valve
7	HA757-02	1	气体提升汽缸	Tang-lifter cylinder	39	616.11.000.02	2	螺旋塞	Screw plug
8	HA757-07	1	垫圈	Washer	40	HA781-02	1	底座接头	Sub-base
9	HA757-03	1	封闭活塞	Seal piston	41	HA781-03	2	消声器	Muffler
10	SIGKM6	2	球接头	Articulated endpiece	42	PLL04-M5	1	肘管气体连接器	Elbow pneumatic coupler
11	HA752-29	1	连杆	Connecting rod	43	PLL04-M5	4	肘管气体连接器	Elbow pneumatic coupler
12	VCB6016	1	有头螺钉	Hex.soc.hd.cap screw	44	644.781.0002	2	连接器	Connector
13	HA724-05	1	转化控制杆	Stitch inversion control lever	45	HA724-29 hose	1	软管夹	Clamp 4
14	HA724-11/1	1	叉	Fork	46	HA724-30	1	导管	pipe
15	HA724-09	1	汽缸体	Cylinder body					
16	HA724-06	1	耳轴支架	Trunnion mounting					
17	VCB850	1	有头螺钉	Hex.soc.hd.cap screw					
18	HA724-11/2	1	线夹	Lock clips					
19	NSE04-M5	2	调节器	Regulator					
20	HA724-07	1	铰链销钉	Hinge pin					
21	ASE6	2	卡环	Ring					
22	616.11.235.06	1	固定直角块	Fixing square					
23	VCB512	2	有头螺钉	Hex.soc.hd.cap screw					
24	HA724-31	1	软管	Spring tube					
25	HA724-41	1	空气枪	Air gun					
26	HA724-50	1	直接气流连接器	Straight pneumatic coupler					
27	HA724-15/2	1	直接气流连接器	Straight pneumatic coupler					
28	HA724-15/1	1	旋塞	Faucet					
29	HA724-44	1	主连接器	Quick cpupling					
30	HA724-13	1	过滤器	Filter					
31	HA724-14	1	仪表	Gauge					
32	HA781-05	1	肘管气体连接器	Elbow pneumatic poupler					

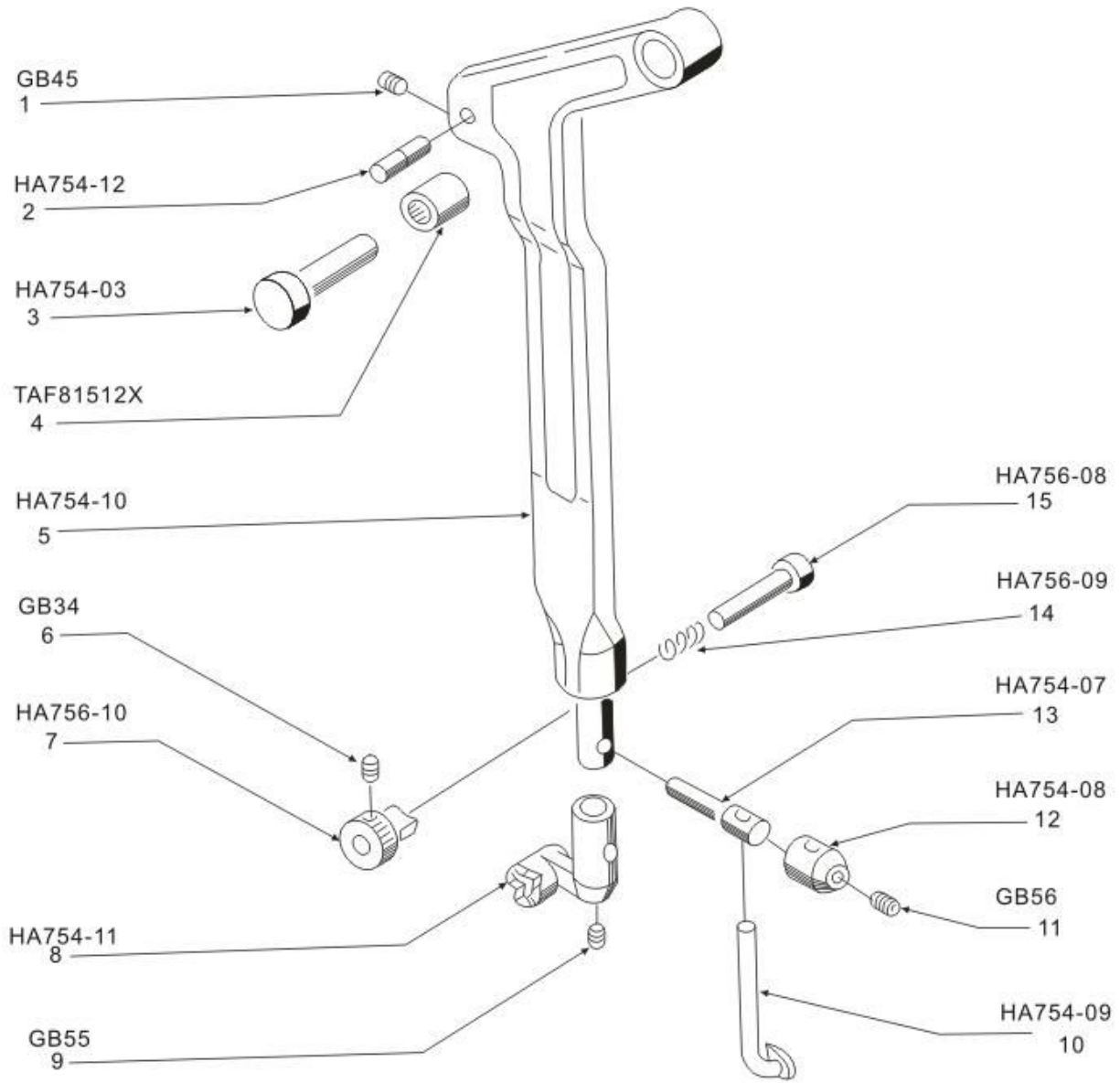


- 35 HA781-08
- 36 HA781-09
- 37 HA781-06
- 38 HA781-01
- 39 616.11.000.02

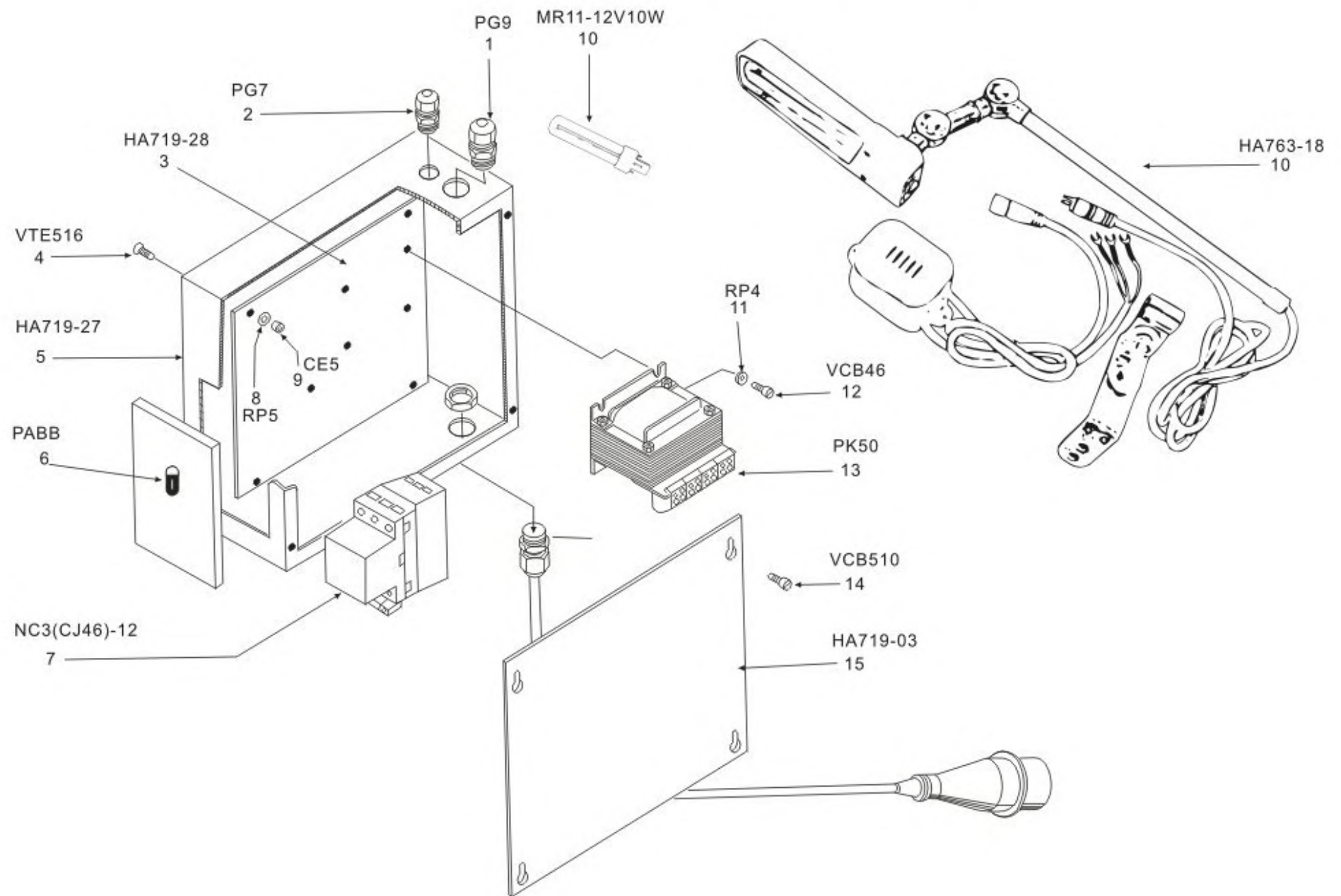
序号	数量	名称	name	序号	数量	名称	name		
1	HA762-01	1	剪刀组件	Cutters assembly	33	S0212	1	销钉	Spring pin
2	HA762-05	1	一字螺钉	Blade screw	34	HA761-15	1	调节滑动棒	Adjustable sliding bar
3	VCB38	1	有头螺钉	Hex.soc.hd.cap screw	35	HA761-13	1	调节引导支架	Adjustable guide supportint
4	HA762-09	1	汽缸	cylinder	36	HA761-12	1	调节螺钮垫圈	Index
5	HA762-08	1	汽缸座		37	HA761-11	1	球关调节钮	Ball grip for adjustable guide
6	HA762-02	1	固定刀片	Stationary blade					
7	HA762-05	1	汽缸联接轴						
8	HA762-04	1	弹簧刀片	Spring blade					
9	HA762-03	1	可动刀片	Moving blade					
10	VCB416	4	有头螺钉	Hex.soc.hd.cap screw					
11	HA760-17	1	线闸张力组件	Thread-brake tension group					
12	HA760-14	1	张力帽	Tension cap					
13	HA760-13	1	弹簧	Spring					
14	HA760-08	1	导套	Guide sleeve					
15	HA760-12	1	钳刀松开棒	Nipper release rod					
16	HA760-09	1	后压板	Rear pressure plate					
17	GBP34	2	定位螺丝	Hex.soc.set screw					
18	GBP35	1	定位螺丝	Hex.soc.set screw					
19	HA760-11	1	螺母	Nut					
20	HA760-10	1	前压板	Front pressure plate					
21	R2510	2	辊子	Roller					
22	HA761-20	1	可伸缩掀钮引导组件	snap retractable edge guide assembly					
23	RP4	2	平垫圈	Flat washer					
24	VCB36	2	有头螺钉	Hex.soc.hd.cap screw					
25	HA761-08/1	1	强化弹簧板	Reinforcement for spring					
26	HA761-08	1	松放弹簧板	Release spring for guide					
27	HA761-10	1	螺纹螺钉	Threaded block					
28	HA761-03	1	底部盖板	Bottom for guide with lock					
29	VSB36	2	有头螺钉	Hex.soc.flat hdcap screw					
30	HA761-06	1	弹簧	Spring for cloth-guide					
31	HA761-07	1	球头钉	Push button for guide					
32	HA761-05	1	弹簧引导栓	Spring guide point					



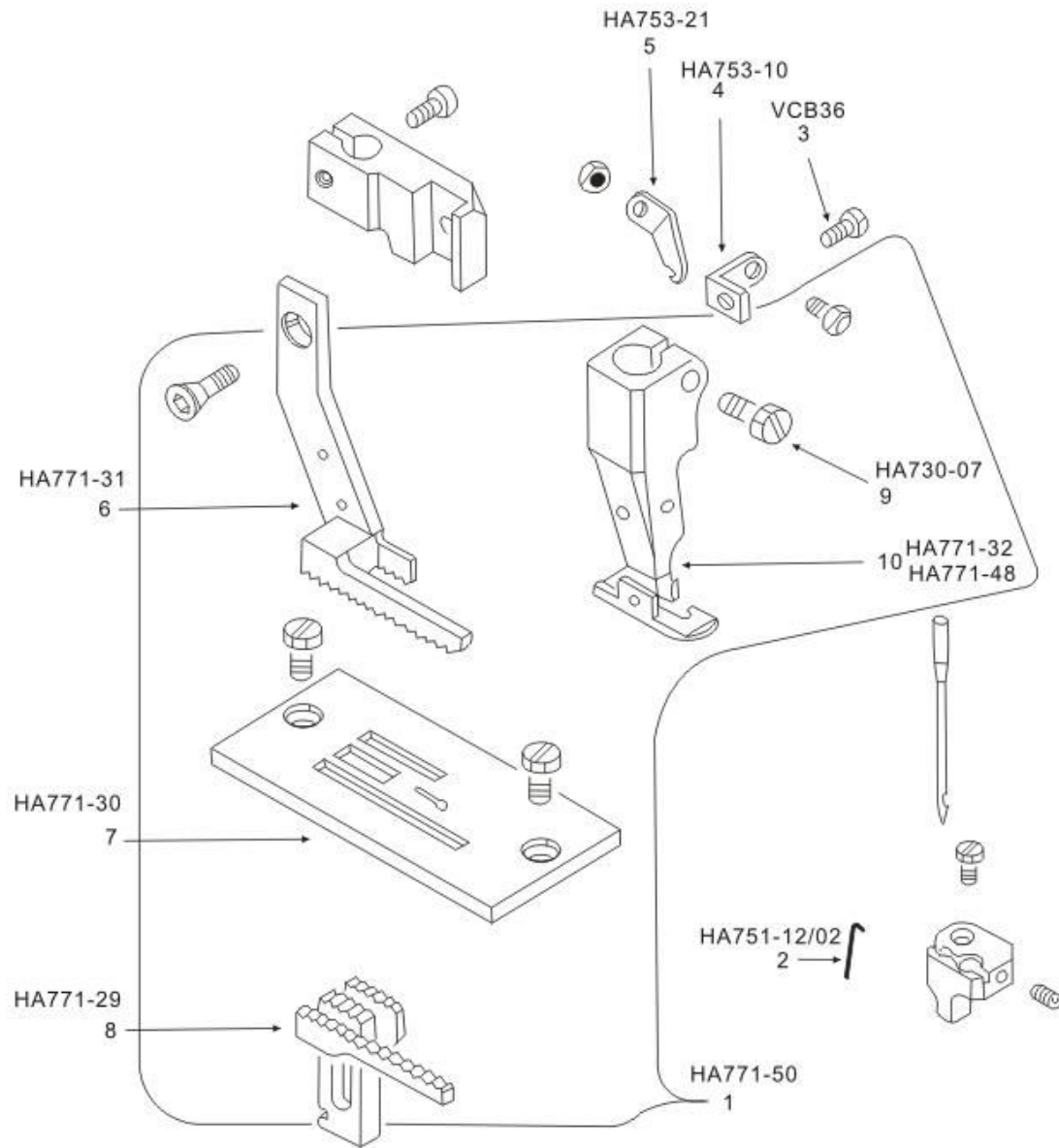
序号		数量	名称	name
1	GB45	1	定位螺丝	Hex.soc.set screw
2	H754-12	1	短轴	Stud
3	HA754-03	1	铰链铆钉	Hinge stud
4	TAF81512X	1	辊子轴承套	Rollers bearing
5	HA754-10	1	上弯纱轮杆	Upper looper lever
6	GB34	1	定位螺丝	Hex.soc.set screw
7	HA756-10	1	控制控制	Control knob
8	HA754-11	1	上支架	Upper looper support
9	GB55	1	定位螺丝	Hex.soc.set screw
10	HA754-09	1	上勾线钩	Upper looper
11	GB56	1	定位螺丝	Hex.soc.set screw
12	HA754-08	1	固定帽	Upper looper holder cap
13	HA754-07	1	上勾线钩座	Cap for hook
14	HA756-09	1	弹簧	Spring
15	HA756-08	1	辊子螺栓	Rooler stud



序号		数量	名称	name
1	PG9	2	缆索支架	Cable holder
2	PG7	1	缆索支架	Cable holder
3	HA719-28	1	盒底座	Box base
4	VTE516	2	有头螺钉	Hex.soc.flat hd.cap screw
5	HA719-27	1	电源盒	Electric box
6	PABB	1	分离盒	Indented cover
7	NC3(CJ46)-12	1	过载电流断路器	Circuit breaker with terminal overload
8	RP5	2	平垫圈	Flat washer
9	CE5	2	螺旋套	Hex nut
10	MR11-12V10W	1	电灯泡	Light bulb
11	HA763-18	1	灯固定器	Halogen lamp
12	RP4	2	垫圈	Washer
13	VCB46	2	有头螺钉	Hex.soc.hd.cap screw
14	PK50	1	变压器	Transformer
15	VCB510	4	凸头螺钉	Convex-headed screw
16	HA719-03	1	盒盖	Box cover



序号		数量	名称	name
1	HA771-50	1	“L” 缝纫组件	Soft stitch feature “L”
1	HA771-62	1	“P.L” 缝纫组件	Soft stitch feature “P.L”
2	HA751-12/02	1	线爪	Latch wire
3	VCB36	2	有头螺钉	Hex.soc.hd.cap screw
4	HA753-10	1	止动杆	Stop lever
5	HA753-21	1	导线钩	Thread guide
6	HA771-31	1	“L.-P.L.”上送布牙	Walking presser “L.-P.L.”
7	HA771-30	1	“L.-P.L.”针板	Plate “L.P.L.”
8	HA771-29	1	“L.-P.L.”下送布牙	Drop feed dog “L.-P.L.”
9	HA730-07	1	送料挡块高度调节螺钉	Feed dog height adjustment screw
10	HA771-32	1	“L”步行压脚	Presser foot “L”
10	HA771-48	1	“P.L”步行压脚	Presser foot “P.L”



序号		数量	name
1	注没壶	1	Oiler
2	钳子	1	Pincers
3	一字螺丝起子	1	Angular screw driver
4	内六角头螺丝起	1	Head screw dirver mm.7
5	5,537mm 扳手	1	Open and wrench mm.5,5.7
6	1.5mm 六角螺丝起	1	Hexagonal key mm.1.5
7	2mm 六角螺丝起	1	Hexagonal key mm.2
8	2.5mm 六角螺丝起	1	Hexagonal key mm.2.5
9	3mm 六角螺丝起	1	Hexagonal key mm.3
10	4mm 六角螺丝起	1	Hexagonal key mm.4
11	5mm 六角螺丝起	1	Hexagonal key mm.5
12	6mm 六角螺丝起	1	Hexagonal key mm.6
13	“M.P.-M.L.”型针板	1	Sample throat plate type “M.P.-M.L.”
14	“L”型针板	1	Sample throat plate type “L”
15	下顶针调节器	1	Sample gauge for lower bad center (on demand)
16	下送料针高度板	1	Template for height of drop feed dog and needle

