

PARTS ASSEMBLIES FOR Bonis Models: 3051, 3051-2,3064, 3065, 3066, 3067, 3068



CAUTION: Order by part number only. When ordering parts, kindly state Serial and Model Numbers of Machine.

The Serial Number is stamped on the back of the main frame.
The Model Number is printed on name plate on left side.

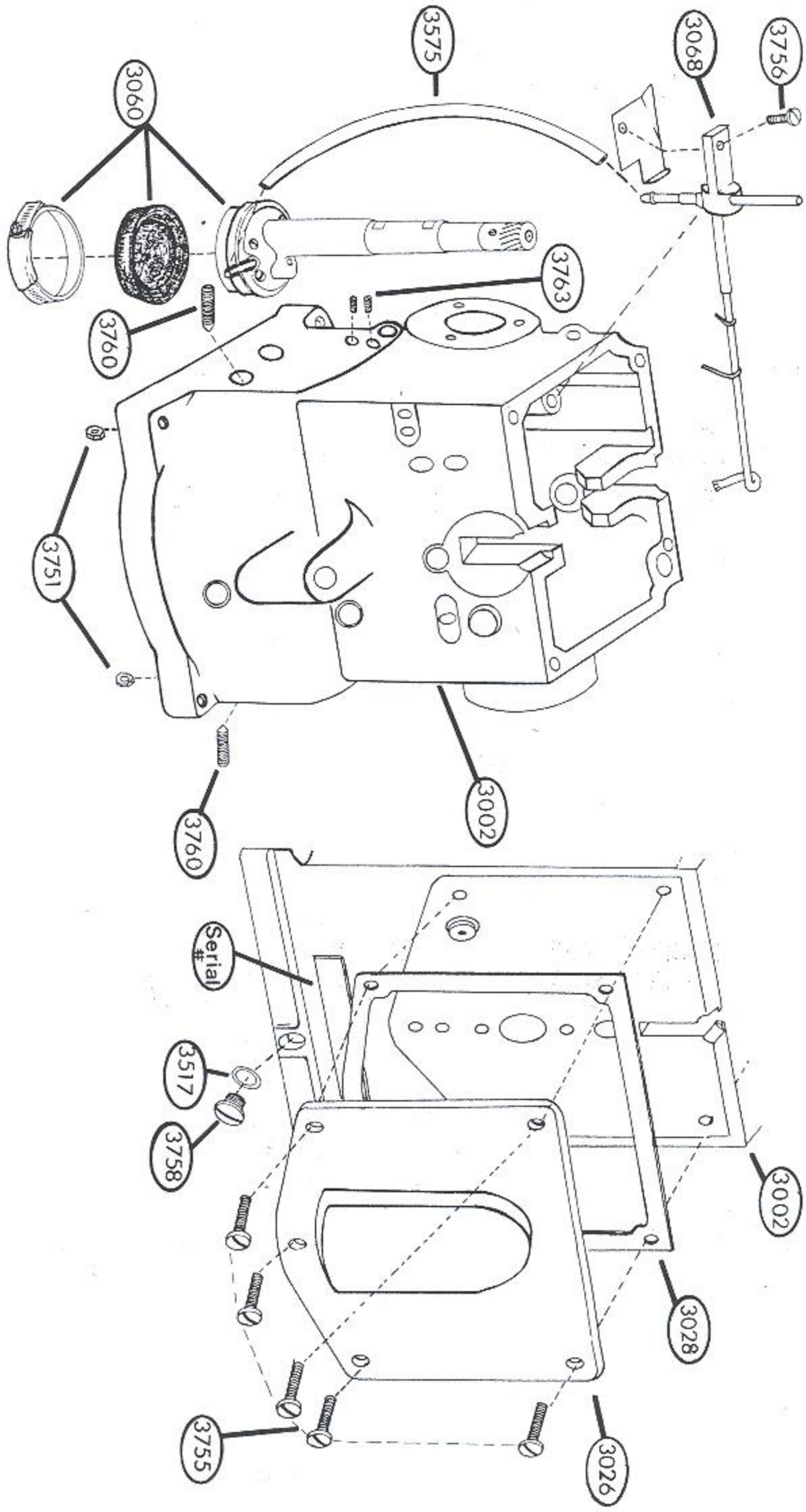
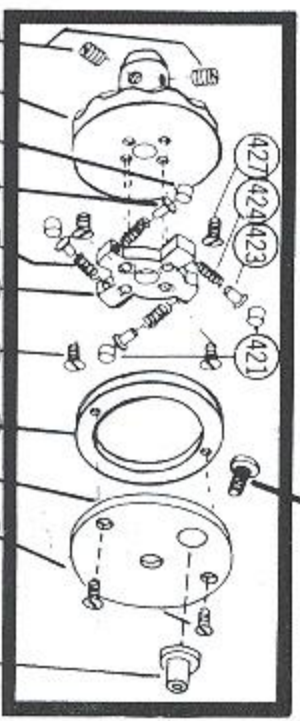
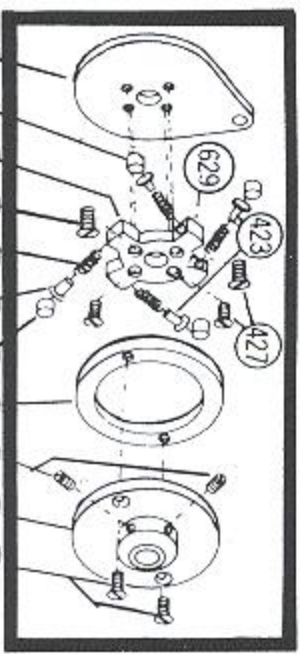
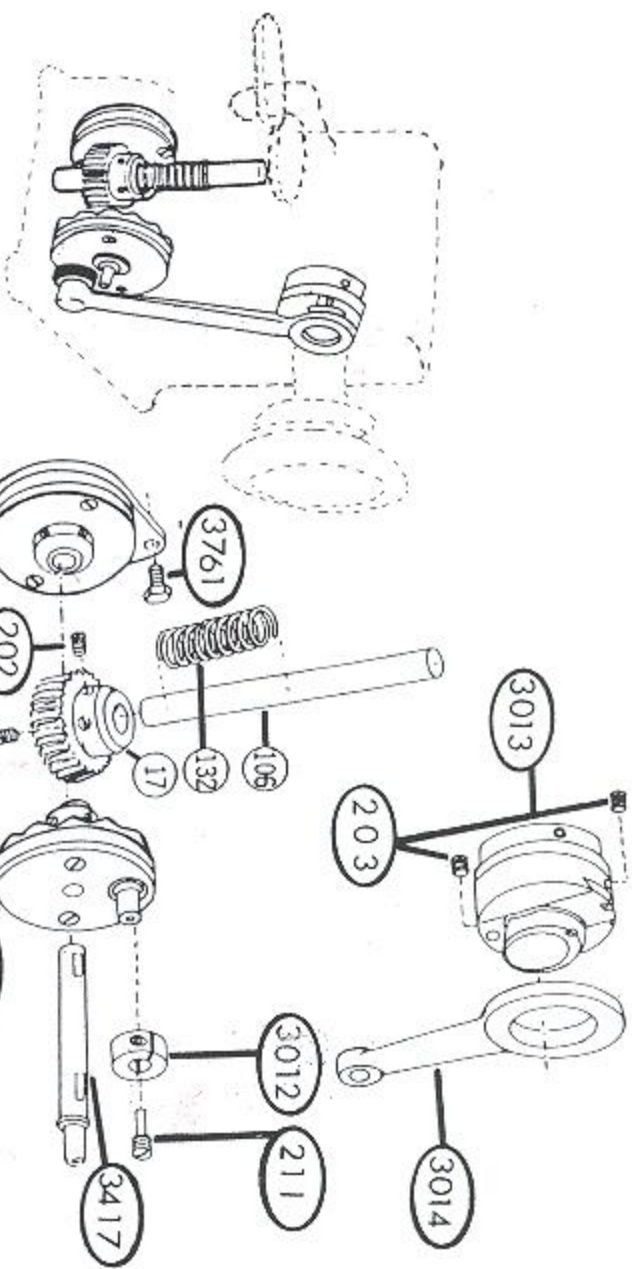


Fig. 1

MAIN FRAME ASSEMBLY

Fig. 1

| PART NO. | DESCRIPTION |
|----------|------------------------|
| 3002 | MAIN FRAME, "51" CLASS |
| 3026 | BACK COVER |
| 3028 | BACK COVER GASKET |
| 3060 | OIL PUMP ASSEMBLY |
| 3068 | OIL MANIFOLD ASSEMBLY |
| 3517 | OIL SEAL WASHER, LARGE |
| 3575 | OIL TUBE |
| 3751 | FEED SHAFT NUT |
| 3755 | BACK COVER SCREWS |
| 3756 | OIL MANIFOLD SCREW |
| 3758 | DRAIN CAP |
| 3760 | FEED GEAR SHAFT SCREW |
| 3763 | GEAR PUMP SET SCREW |



Feed Retaining Drum Parts

Feed Gear Parts

GEAR AND FEED ASSEMBLY

Fig. 2

GEAR & FEED ASSEMBLY

Fig. 2

| PART NO. | DESCRIPTION |
|-----------|---|
| 17 | FEED GEAR, SMALL |
| 106-B | FEED DISC SHAFT |
| 132 | FEED DISC SHAFT SPRING |
| 202 | SET SCREW 6 REQ'D |
| 203 | STITCH INDICATOR SET SCREWS, 2 REQ'D |
| 211 | FEED DRIVING SCREW |
| 416-S | FEED GEAR ONLY (STEEL) |
| 419 | FEED GEAR RING |
| 420 | FEED GEAR CAM |
| 421 | FEED GEAR ROLLER, 8 REQ'D |
| 423 | FEED GEAR ROLLER PIN, 8 REQ'D |
| 424 | FEED GEAR ROLLER SPRING, 8 REQ'D |
| 426 | FEED GEAR PLATE SCREW, 5 REQ'D |
| 427 | FEED GEAR CAM SCREW, 8 REQ'D |
| 628 | FEED RETAINING DRUM |
| 629 | FEED RETAINING DRUM CAM |
| 630 | FEED RETAINING DRUM PLATE |
| 630-FC | FEED RETAINING DRUM COMPLETE, LEFT SIDE |
| 3011 | CONNECTING STUD |
| 3012 | ADJUSTABLE CLAMP |
| 3013 | STITCH REGULATOR |
| 3014 | FEED CONNECTION |
| 3047 | FEED DISC SHAFT BUSHING |
| 3416-B-FC | FEED GEAR FITTED COMPLETE, RIGHT SIDE |
| 3417 | FEED GEAR SHAFT |
| 3425-B | FEED GEAR PLATE |
| 3755 | FEED DISC SHAFT BUSHING SCREW |
| 3761 | DRUM PLATE SCREW |

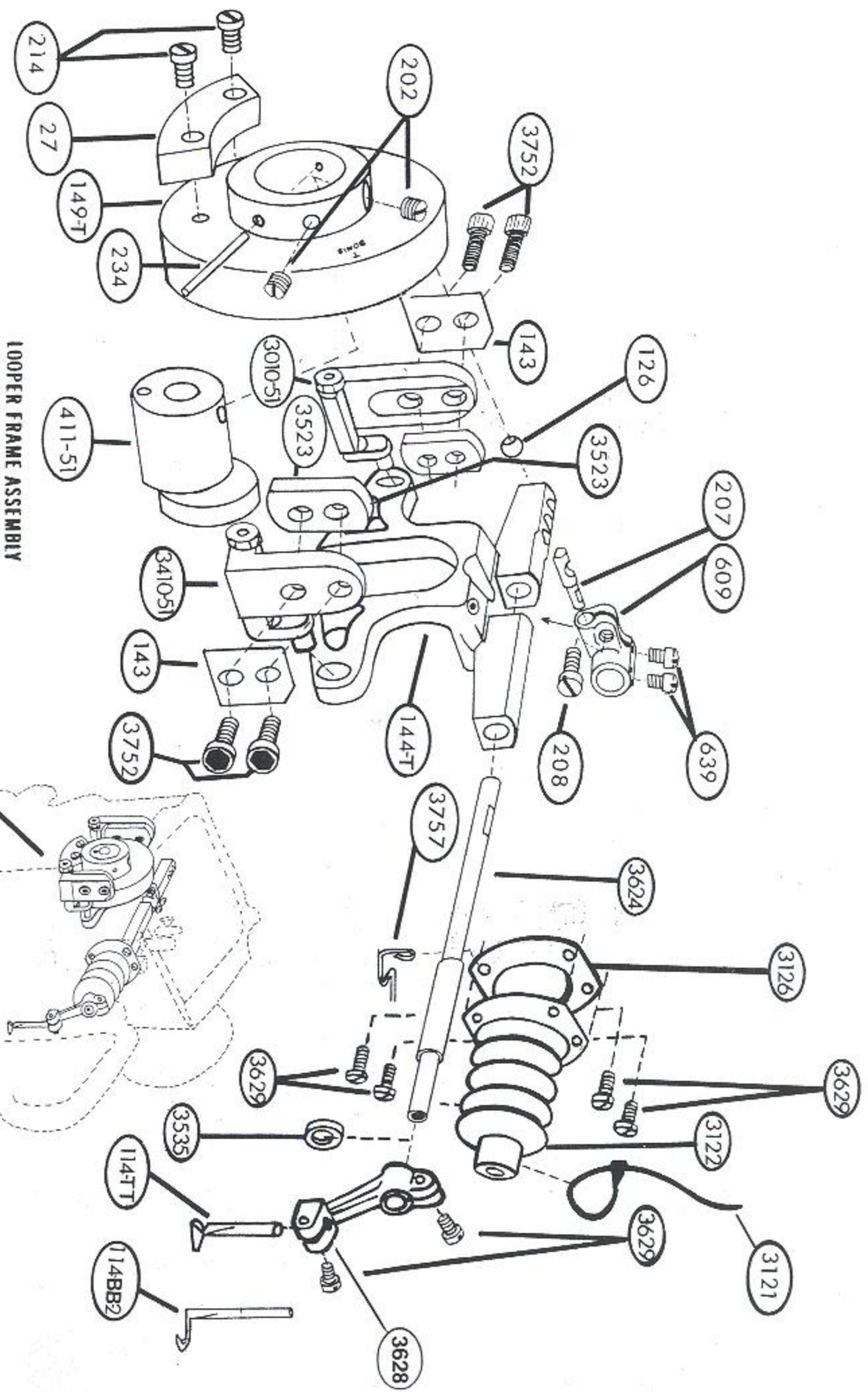


Fig. 3

LOOPER FRAME ASSEMBLY

Fig. 3

| PART NO. | DESCRIPTION |
|-----------|--|
| 27 | BALANCE WEIGHT |
| 114-BB-2 | TWO THREAD LOOPER (FOR 3051-2 ONLY) |
| 114-TT | LOOPER |
| 126 | LOOPER CAM ROLLER |
| 143 | ROCKER PACKING (Specify Thickness: .004, .006, .010, .020) |
| 144-T | LOOPER FRAME |
| 149-T | OSCILLATING CAM |
| 202 | ECCENTRIC SET SCREW, 2 REQ'D |
| 207 | LOOPER CAM ROLLER STUD |
| 208 | LOOPER CAM ROLLER STUD SET SCREW |
| 214 | BALANCE WEIGHT SCREW, 2 REQ'D |
| 234 | LOOPER ECCENTRIC PIN |
| 411-51 | LOOPER FRAME ECCENTRIC |
| 609 | LOOPER OSCILLATING ARM |
| 639 | LOOPER OSCILLATING ARM PINCH SCREW, 2 REQ'D |
| 3010-51 | BACK ROCKER, COMPLETE "51" CLASS |
| 3121 | BELLOWS TYE |
| 3122 | BELLOW |
| 3126 | BELLOW PLATE |
| 3144-T-FC | LOOPER FRAME ASSEMBLY "51" CLASS FITTED COMPLETE |
| 3410-51 | FRONT ROCKER, COMPLETE "51" CLASS |
| 3523 | ROCKER PLATE |
| 3535 | BELLOW THRUST WASHER |
| 3624 | LOOPER SHAFT |
| 3628 | LOOPER HOLDER |
| 3629 | LOOPER SET SCREW |
| 3752 | ROCKER SCREW |
| 3757 | PIG TAIL, THREAD GUIDE |

NEEDLE BAR ASSEMBLY

Fig. 4

| PART NO. | DESCRIPTION |
|----------|---|
| 7-B-51 | NEEDLE BAR YOKE ECCENTRIC "51" CLASS |
| 113-T | NEEDLE BAR (T-R) ORDER BY MODEL NUMBER |
| 115 | NEEDLE BAR TENSION PLATE |
| 119 | NEEDLE CLAMP |
| 134 | NEEDLE BAR TENSION SPRING |
| 202 | YOKE ECCENTRIC SET SCREW-2 REQ'D |
| 215 | NEEDLE BAR TENSION PLUNGER |
| 216 | NEEDLE BAR PLUNGER NUT |
| 217 | NEEDLE BAR TENSION PLATE SCREW |
| 218 | NEEDLE BAR YOKE PINCH SCREW, 2 REQ'D |
| 227 | NEEDLE CLAMP SCREW |
| 235 | YOKE ECCENTRIC PIN |
| 466-51 | NEEDLE BAR YOKE "51" CLASS |
| 467 | NEEDLE BAR YOKE SUPPORT SHAFT |
| 468 | NEEDLE BAR YOKE SUPPORT SHAFT NUT |
| 469 | NEEDLE BAR YOKE ADJUSTABLE BRACKET |
| 3617 | NEEDLE BAR BUSHING, FRONT |
| 3618 | NEEDLE BAR BUSHING, REAR |
| 3750 | BACK SHAFT SCREW WASHER |
| 3752 | ROCKER SCREW-2 REQ'D |
| | NEEDLE SYSTEM 292 H BALL POINT OR F KNIFE POINT |

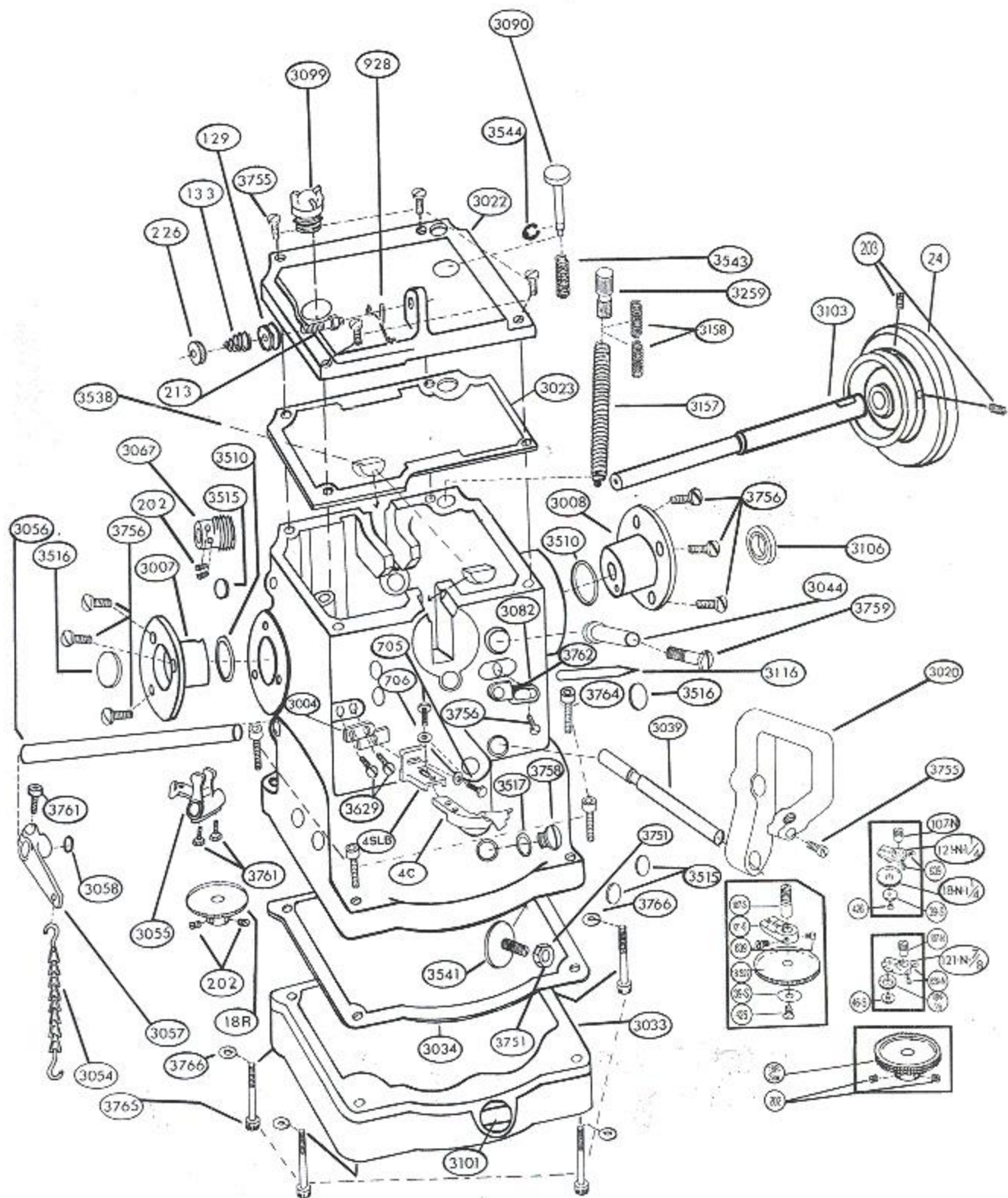


Fig. 5

MAIN FRAME ASSEMBLY

Fig. 5

| PART NO. | DESCRIPTION |
|------------------------|---|
| 4-SLB | CENTER GUIDE BRACKET FOR MULTI-POSITION MOUNTING |
| 4-C | CORD GUIDE FOR STRING LASTING |
| 4-D | HEAVY GUIDE FOR $\frac{3}{16}$ " BITE (FUNNEL FEED) |
| 4-E | CHAIN-OFF GUIDE FOR BUTT SEAMING HEAVY MATERIAL |
| 4-F | GUIDE $\frac{3}{16}$ " BITE |
| 4-G | FINE GUIDE FOR $\frac{1}{8}$ " BITE |
| 4-H | CORD GUIDE, FOR 3065 |
| 4-J | GUIDE $\frac{3}{16}$ " BITE |
| 18-N-1 $\frac{1}{4}$ | OVERARM FRONT FEED DISC 1 $\frac{1}{4}$ " DIAMETER DISC |
| 18-N- $\frac{7}{8}$ " | OVERARM FRONT FEED DISC $\frac{7}{8}$ " DIAMETER DISC |
| 18-R-SAW | SAWTOOTH REAR FEED DISC FOR 3065 MACHINES |
| 18S/18R | OVERARM FRONT AND REAR FEED DISC, FITTED COMPLETE, 27 TEETH |
| 24 | BELT WHEEL |
| 39-S | FEED DISC WASHER |
| 46-S | DISC STUD WASHER |
| 107-N | FRONT FEED DISC STUD FOR 18N DISC |
| 107-S | FEED DISC STUD FOR "S" WHEELS |
| 121-N-1 $\frac{1}{4}$ | NEEDLE GUARD FOR 1 $\frac{1}{4}$ " DIAMETER DISC |
| 121-N- $\frac{7}{8}$ " | NEEDLE GUARD FOR $\frac{7}{8}$ " DIAMETER DISC |
| 121-S | NEEDLE PLATE FOR 2 $\frac{3}{8}$ " FRONT WHEEL #18S |
| 129 | TENSION DISC, 2 REQ'D |
| 133 | TOP COVER TENSION SPRING |
| 202 | SET SCREW, 4 REQ'D |
| 203 | BELT WHEEL SCREW, 2 PCS. REQ'D |
| 213 | TENSION POST |
| 226 | TENSION NUT |
| 426 | FEED DISC WASHER SCREW |
| 639 | PINCH SCREWS |
| 705 | #10 SCREW FOR SB BRACKET, 2 REQ'D |
| 706 | WASHERS FOR SB BRACKET, 2 REQ'D |

928 TOP COVER THREAD GUIDE
3004 BRACKET FOR SL GUIDE
3007 MAIN SHAFT BUSHING LEFT SIDE, "51" CLASS
3008 MAIN SHAFT BUSHING RIGHT SIDE
3020 FEED DISC ARM, "SL" TYPE
3022 TOP COVER
3023 TOP COVER GASKET
3033 OIL PAN
3034 OIL PAN GASKET
3039 ARM PIN
3044 STABILIZING ARM PIN
3054 PRESSURE LEVER CHAIN
3055 PRESSURE RELEASE CRANK
3056 PRESSURE LEVER SHAFT
3057 PRESSURE RELEASE LEVER
3058 PRESSURE LEVER O-RING
3067 OIL PUMP WORM GEAR, "51" CLASS
3082 TENSION POST HOLDER
3090 PUSH BUTTON
3099 OIL SIGHT GLASS
3101 OIL LEVER WINDOW
3103 MAIN SHAFT "51" CLASS
3106 1/2 INCH OIL MAIN SHAFT SEAL
3157 PRESSURE SPRING
3158 PRESSURE SPRING INSERTS, 2 REQ'D
3259 PRESSURE ARM ADJUSTMENT SCREW
3510 MAIN SHAFT O-RING
3515 OIL SEAL CAP, SMALL, 2 REQ'D
3516 OIL SEAL CAP, LARGE, 2 REQ'D
3517 OIL SEAL WASHER, LARGE
3538 RUBBER SEAL, 2 REQ'D
3541 FEED LEVER GUIDE
3543 PUSH BUTTON SPRING
3544 PUSH BUTTON RETAINING RING
3629 SET SCREW, 2 REQ'D
3751 FEED LEVER GUIDE NUT
3755 TOP COVER SCREW, 4 REQ'D
3756 MAIN SHAFT BUSHING SCREW, 6 REQ'D
3758 DRAIN CAP, 2 REQ'D
3759 STABILIZING ARM PIN SCREW
3761 PRESSURE CRANK
3762 SET SCREW FOR (3116)
3764 MACHINE HEAD SCREW, 4 REQ'D
3765 OIL PAN TABLE SCREW, 4 REQ'D
3766 OIL PAN TABLE WASHER, 4 REQ'D