

**GLOBAL**

**SR 9929**

**Shoe repair machine**

**spare parts &  
instruction manual**

# INSTRUCTIONS

FOR USING AND ADJUSTING

## SHOE REPAIRS

## SEWING MACHINES

**NOTE.**—The machine is threaded when sent from the factory, and the operator should note carefully the manner in which this is done before removing the thread from the needle.

**Machines of SHOE REPAIR SEWING MACHINE** may be fitted with the hand wheel and bobbin winder either at the side or at the pulley end of the machine.

### Speed of the Machine.

This should be regulated to suit the class of work being done. For thick work, patching, mending, and stitching elastics, put the driving belt upon the larger pulley of the machine and the smaller pulley of the stand, as this will give increased penetrating power. For light work, put the belt upon the smaller pulley of the machine and the larger pulley of the stand.

4

The material is moved along by the feeding foot only, and the direction of the stitching can be changed, as desired, by turning the revolving wings (2). To make a curved line of stitching, operate the machine slowly and, without turning the work, turn the revolving wings sufficiently to produce the desired curve.

The feeding foot rises between each stitch while the needle is in the material, the needle serving as a pivot upon which the material can be turned in any direction. When desired, the feeding foot may be fixed to work in a straight line, in any direction, by tightening the knurled set screw (8). Never turn the work or alter the direction of the feed while the foot is pressing on the material, as this may cause missed stitches and damage the surface of the work.

### To Ensure Perfect Action of the Machine

If fitted at the side of the machine, the hand wheel must always turn over from left to right or clockwise.

If fitted at the end of the machine, the hand wheel must always turn from the top towards the operator.

The feeding foot must be raised, except when sewing.

Do not work the machine with the shuttle and needle threaded, unless there is material under the feeding foot.

Avoid pulling the material when stitching, as this may deflect the needle and cause it to strike on the needle plate and break.

3

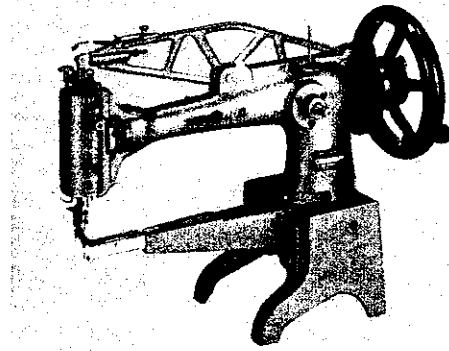


Fig. 1.

### To Operate the Machine.

(See Fig. 1.)

Raise the feeding foot (1) by means of the lifter (3) and place both feet upon the treadle. Turn the hand wheel (7) when its handle is at the top, from left to right, and allow the feet to move freely with the motion of the treadle. Continue to do this until a regular and easy movement is acquired, and you are able to re-start the machine without the hand wheel turning in the wrong direction.

When familiar with the working movement, place a piece of cloth or leather under the feeding foot (1); then lower the latter by means of the lifter (3), and operate the machine until you have become accustomed to guiding the material.

5

### Stop Motion

(See Fig. 2.)

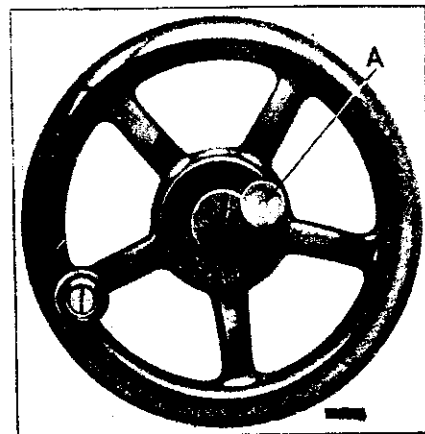


Fig. 2.

This device allows the hand wheel to run free so that bobbins may be wound by hand without operating the stitching mechanism. To loosen the wheel, draw out the plunger (A) and turn its knurled head slightly to the left or right. The wheel will then turn in either direction without operating the machine. When it is desired to operate the machine, turn the plunger head slightly and at the same time turn the wheel slowly to allow the plunger to engage in the hole in the inner disc.

### To Remove the Bobbin.

Raise the needle bar to its highest point and lift the feeding foot (1, Fig. 1) by means of the lifter (3, Fig. 1). Press down the lever (C, Fig. 8) and swing the needle plate round, as shown in Fig. 8. Turn the hand wheel until the point of the shuttle is nearest you, then lift out the shuttle with the thumb and fore-finger; turn it over and the bobbin will drop out.

### To Wind the Bobbin

Loosen the hand wheel, as described on page 5. Place a reel of thread on the spool pin and pass the end of thread into the hole in the centre of the bobbin. Then press the bobbin, as far as it will go, on to the bobbin winder spindle, as shown. If the hand wheel is fitted at the side of the machine, it is important that the bobbin should be placed on the bobbin winder spindle with the slot in the side of the bobbin to the outside. If the hand wheel is fitted at the end of the machine the bobbin must be placed on the bobbin winder spindle with the slot in the side of the bobbin to the inside.

Loosen the thumb screw on the bobbin winder, and lower it in the slot until the rubber ring presses against the hand wheel; then tighten the thumb screw.

### To Thread the Shuttle—continued



Fig. 6.

uppermost and, letting the end of thread pass through the shuttle (see Fig. 5), drop the bobbin into it.

Turn the shuttle over in the fingers, at the same time holding the bobbin in it, and draw the thread into the slot in the edge of the shuttle (see

Fig. 6) and under the end of the tension spring. Then pass the end of thread up through the small hole which is in the upper edge of the shuttle (see Fig. 7).



Fig. 7

Turn the hand wheel, as when sewing, at the same time guiding the thread with the finger, as shown in Fig. 4. When the bobbin is sufficiently full, remove it from the spindle and pass the end of the thread into the slot in its edge. Loosen the thumb screw on the winder, and move it up in the slot so that the rubber ring is out of contact with the hand wheel, then tighten the screw.

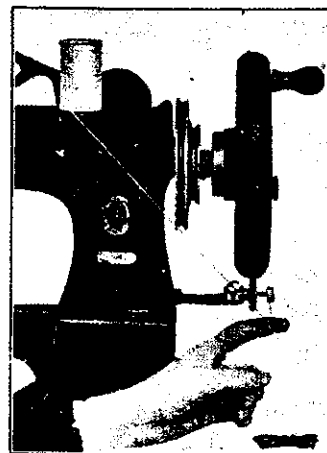


Fig. 4. Hand Wheel and Bobbin Winder at end of machine.

### To Thread the Shuttle

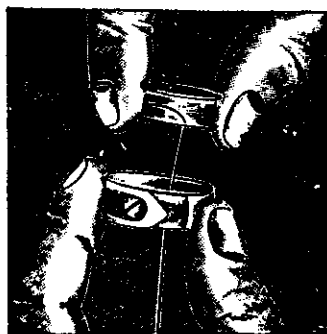


Fig. 5.

Hold the bobbin between the thumb and fore-finger of the right hand, the slot in the edge of the bobbin being at the bottom, and allow two or three inches of thread to hang free from the bobbin. With the left hand hold the shuttle with the wide opening

### To Replace the Shuttle

After threading the shuttle, turn the hand wheel until the upright part of the shuttle carrier is to the right. Then, with the point of the shuttle nearest you, and pointing towards the right, drop it into the recess provided, as shown in Fig. 8. Raise the needle bar to its highest point, press the lever (C), and turn back the needle plate to its sewing position.

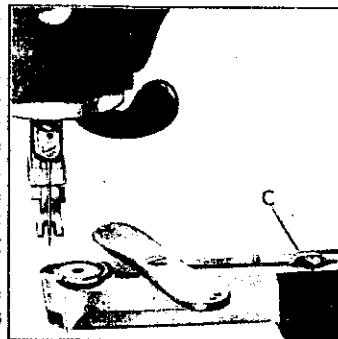


Fig. 8.

### To Set the Needle

There are two double-end needle plates furnished with each machine, each end of the plates being marked to indicate the range of needles to be used. See that the proper plate is applied to the machine and in the correct position.

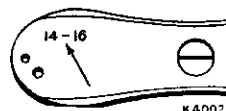


Fig. 9.

Showing Needle Sizes stamped on Needle Plate.

Raise the needle bar (4, Fig. 1) to its highest, loosen the screw (B, Fig. 10) and insert the shank of the needle up into the needle clamp as far as it will

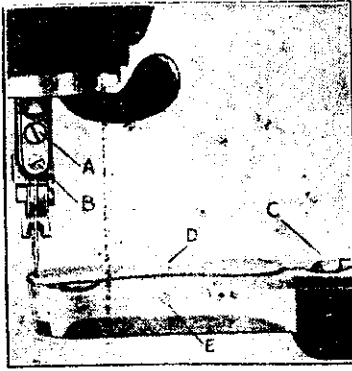


Fig. 10.

**Caution :** Always be sure to use a straight needle.

#### To Change the Needle Plate (See Fig. 10)

Loosen screw (E) and remove needle plate with hinge pin (D). When replacing the plate see that the slot of the pin (D) is in the position shown in Fig. 9 and with its flat facing screw (E). The screw must then be tightened.

#### To Thread the Needle for Stitching (See Fig. 11)

Place a reel of thread on the spool pin on the arm of the machine, so that the thread will draw from the back. Raise the wire guide in the oil cup (6, Fig. 1) on the top of the arm and, after passing the thread under the wire guide, press it back into position. Then pass the thread at the back of the pin which is near the tension discs on the top of the machine head, from back to front and right to left between the tension discs, into the wire thread eyelet, and up and from front to back through the hole in the end of the check lever (5, Fig. 1).

go, with the long groove of the needle to the left, and its eye directly in-line with the arm of the machine. Tighten the screw (B). Loosen the screw (A) and move the clamp to right or left until the needle passes through the centre of the hole in the needle plate, then tighten screw (A).

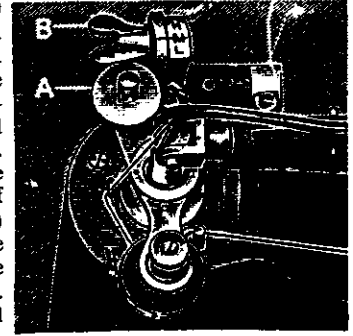


Fig. 11.

Draw about 10 inches of thread and insert the end into the slit in the end of the threading wire supplied with the machine. Now pass the wire from the back of the lever (5, Fig. 1) down through the hole in the centre of the needle bar. Remove the thread from the wire, withdraw the latter, and thread the needle from left to right, leaving an end 3 or 4 inches long with which to commence sewing.

#### To Thread the Needle for Darning (See Fig. 12)

Place a reel of thread on the spool pin on the arm of the machine, so that the thread will draw from the back.

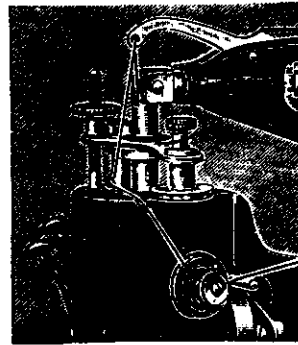


Fig. 12.

Raise the wire guide in the oil cup (6, Fig. 1) on the top of the arm and, after passing the thread under the wire guide, press it back into position. Then pass the thread over the pin near the tension discs in front of the arm (see Fig. 12), from right to left under and between the tension

discs, up into the wire eyelet on top of the arm of the machine, and from front to back through the hole in the end of the check lever (5, Fig. 1). Draw about 10 inches of thread and insert the end into the slit in the end of the threading wire supplied with the machine. Now pass the wire from the back of the lever (5, Fig. 1) down through the hole in the centre of the needle bar. Remove the thread from the wire, withdraw the latter, and thread the needle from left to right, leaving an end 3 or 4 inches long with which to commence sewing.

#### To Prepare for Sewing

With the left hand hold the end of the needle thread, leaving it quite slack from the hand to the needle. Turn the hand wheel as when sewing until

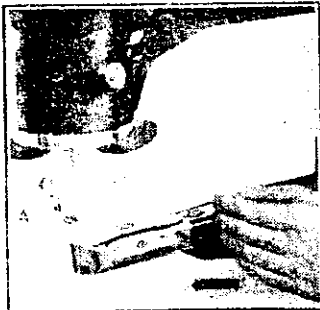


Fig. 13.

the needle moves down and up again to its highest point, thus catching the under thread. Then pull the end of the thread you are holding and the shuttle thread will be brought up with it through the hole in the needle plate, as shown in Fig. 13. Lay both ends back

#### To Commence Sewing

Place the material beneath the feeding foot, lower the foot upon it, and operate the machine by turning the hand wheel from the top towards you.

**NOTE.**—Do not try to help the feeding of the work by pulling the material, as this may deflect the needle and cause it to break. The machine feeds without any assistance.

#### To Remove the Work

Raise the needle bar to its highest point by turning the hand wheel, lift the feeding foot by means of the lifter (3, Fig. 1), and draw the material backward about 3 inches; then, cut the threads close to the work. Leave both ends of thread under the feeding foot.

#### To Regulate the Tensions



Correct Stitch.

For ordinary stitching, the tension on the needle and shuttle threads should be equal, and just sufficiently strong to lock both threads in the centre of the work, as shown in the above illustration.

If either tension is stronger than the other, imperfect stitching will be the result, thus :—



Needle thread tension too strong.



Needle thread tension too weak.

A correct stitch can usually be obtained by varying the tension on the needle thread (see Fig. 14).—To increase the tension, turn the

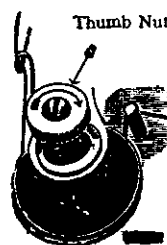


Fig. 14.

thumb nut in the direction illustrated by the arrow. To lessen the tension, turn the nut in the opposite direction.

As all machines are correctly adjusted before leaving the factory, the shuttle tension seldom requires to be altered, but if this becomes necessary tighten the small screw in the end of the tension spring in the side of the shuttle to increase the tension, or loosen it slightly to lessen the tension.

Always use thread with corresponding size of needle as per Table on page 3 of cover.

**Check Lever with Regulator Indicator.**  
(See Fig. 15)

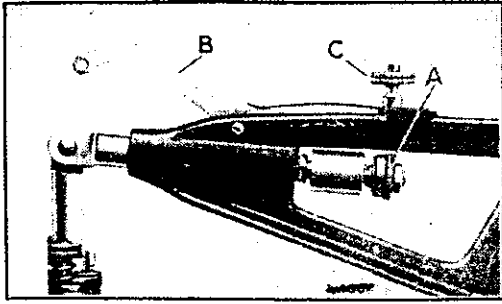


Fig. 15.

The spring tension on the check lever (B) is controlled by the thumb screw (C). The tension on the lever should be proportionate to the upper thread tension as controlled by the tension discs.

When the stitch is set, at the top of the needle bar stroke, the lever (B) should be held down far enough by the tension of the thread so that the take-up action will keep the thread taut until the needle enters the work. More take-up action may be secured by decreasing the take-up spring tension instead of tightening the tension discs when sewing light weight materials with fine thread, while with heavier materials and thread, the take-up tension must be proportionate to the thread tension in order to set the stitch properly.

The travel of the check lever (B) is regulated by means of the knurled nut (A), the barrel of which is marked with the figures 0 to 4. This indicator provides a useful guide to the operator in arranging the take-up movement most suitable for the material and thread being used. In the case of thin materials such as Kid or Box Calf, turn the

foot should be only sufficient to clear the thickest part of the work. To adjust the lift, raise the feeding foot by means of the lifter (3, Fig. 1), loosen the wing screw (B, Fig. 11) and move the screw towards you to increase the lift of the foot, or in the opposite direction to reduce it. When the desired height of lift is obtained, tighten the wing screw.

**Important.**—There is a tendency for fluff and dirt to gather behind the thread retaining spring, which is fitted to the needle bar near its bottom end, and this, if allowed to remain, may cause mis-stitching of the needle thread. To remove this dirt, pass a piece of tape or thread between the spring and the needle bar, working it backwards and forwards until the spring is cleaned. Care must be taken not to bend the spring away from the bar or permanent damage may be done to it.

knurled nut (A) until the zero mark is opposite the small plunger. Other adjustments can be made in steps by turning the nut to suit any thickness of material and thread within the capacity of the machine.

*All machines sent out from the factory are so adjusted that they will give satisfactory results on a general range of materials. Before any adjustment is made to the travel of the check lever, the needle bar should be raised to its maximum height.*

**To Alter the Length of Stitch**

The length of stitch is regulated by the stitch regulator, which is held in position by a thumb screw at the back of the feeding foot bar. Loosen the thumb screw (A, Fig. 13) and move the regulator so that the arrow points to the number of stitches it is desired to make to the inch. The thumb screw must then be tightened.

**To Change the Pressure on the Material**

The pressure on the material is regulated by the knurled nut (A, Fig. 11). Tighten the nut to increase the pressure, or loosen it to reduce the pressure. Heavier pressure is required for leather work than for sewing cloth or cotton materials, but it should be only heavy enough to enable the feed to move the work along evenly.

**To Turn a Corner**

Stop the machine and turn the hand wheel over towards you, until the feeding foot rises. Then turn the work as desired, using the needle as a pivot.

**To Regulate the Automatic Lift of the Feeding Foot**

While the machine is in operation, the feeding foot rises after it has moved the work forward; then it moves towards the needle and descends again upon the fabric. It is advisable that the lift of the

To ensure easy and quiet working of the machine, it is necessary that all moving parts in contact with each other should always be covered with a film of oil and not allowed to become dry. A drop of oil is sufficient at any place. The machine should be oiled at the places indicated by arrow red points, and a little oil should be rubbed over the face of the shuttle race.

After oiling, run the machine for a few minutes to work the oil into the bearings. If the machine is in constant use, it should be oiled daily.

## HINTS

**The Belt.**—See that the belt is not too tight ; it should be just tight enough not to slip. If too loose, shorten the belt and rejoin.

**To Avoid Breaking Needles.**—See that the feeding foot is securely fastened by the thumb screw. Do not sew heavy seams or very thick material with a too fine needle. A large needle, and thread to correspond, should be used on heavy work (see table on inside of back cover).

See that the needle is not bent, and avoid pulling the material when stitching ; either will cause the needle to strike on the needle plate and break.

**Breaking of Upper Thread.**—If the upper thread breaks, it may be caused by :—

Improper threading of the machine.

Tension being too tight.

The thread being too coarse for the size of the needle.

The needle being bent, having a blunt point, or being set incorrectly.

**Breaking of Under Thread.**—If the under thread breaks, it may be caused by :—

Improper threading of shuttle.

Tension being too tight.

**Skipping of Stitches.**—This may be caused by the needle being inaccurately set into the needle clamp, or by the needle being blunt or bent.

## HINTS—continued

*Remove any dirt or fluff that may be behind the thread retaining spring. (See note on page 16).*

*Examine the feeding foot occasionally and remove from the teeth any dirt or dressing which may be found, as this, if allowed to accumulate, will prevent regular feeding.*

**Working on old, hard leather.**—When working on old, hard leather it is advisable to soften it with oil, to use a coarse needle, and to make a long stitch, so as to prevent splitting.

## 21

INSTRUCTIONS  
FOR  
ADJUSTERS AND  
MECHANICS

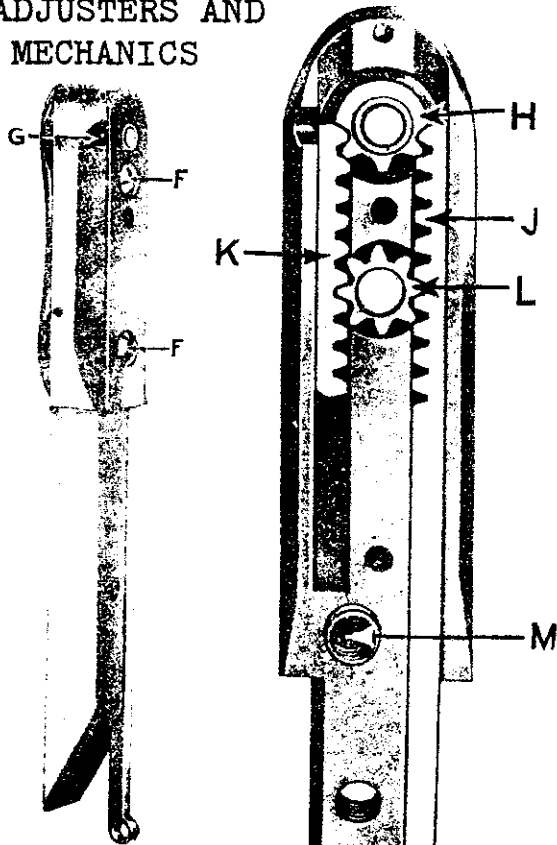


Fig. 19

Fig. 20.

To Examine and Remove the Parts from the  
Rack Box and Re-assemble Them

(See Figs. 19 and 20)

Remove the machine head from the treadle stand or power bench by taking out the four screws. The machine head should now be tipped up and supported with the horn in a vertical position, the underside facing the adjuster. Parts can be examined or removed from the rack box by taking out the two screws (F) and removing the cover plate. The following parts are then exposed : long rack (J), short rack (K), intermediate pinion (L), shuttle driving pinion (H), needle plate locating pin and spring (M), all of which can be removed without disconnecting the rack box from the machine. To take out the shuttle carrier, remove the small set screw in the shuttle carrier pinion by inserting a small screw driver through the groove (G) at the side of the rack box. The shuttle carrier can then be pressed through the pinion. To remove the long rack, insert a screw driver through the hole (D, Fig. 21) and take out the screw. Before proceeding to withdraw the rack, remove the pinion (L), then grip the rack and draw it in a straight-away manner towards the pulley end of the machine. The short rack (K) and shuttle driving pinion (H) can be removed without difficulty. When replacing any one or re-assembling the whole of these parts, care must be taken to see that the gears and racks are correctly enmeshed, as shown in the illustration (Fig. 20).

### Instructions for the Removal of the Rack Box (See Fig. 21)

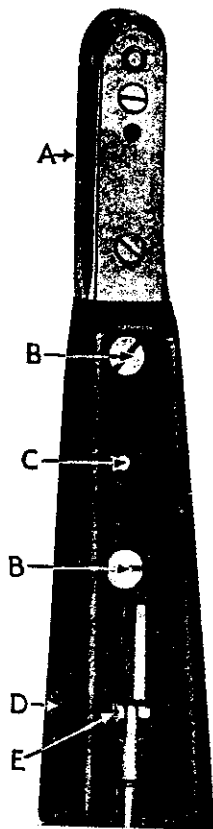


Fig. 21.

If for any reason it is necessary to remove the rack box from the machine, proceed in the following manner. Remove the machine head from its treadle stand or power bench and tip it up as instructed on the previous page. Then turn the hand wheel until the connecting rod hinge screw (E) comes opposite the hole (D) in the lower arm. Insert a screw driver through the hole (D) and remove the screw. Slightly loosen the two screws (B) by giving them a half turn with a screw driver. Then drive out the taper pin (C), using a  $\frac{1}{16}$ " punch and hammer, and take out the two screws (B). The machine should now be replaced on its feet and the horn will then come away if pulled in a horizontal direction.

*On no account raise the front of the horn or the end of the long rack may be damaged.*

When re-assembling the box to the machine, be sure that the taper pin is driven home before finally tightening the two screws.

### Correct Position of the Eccentric Screw which connects the Shuttle Driving Lever and the Rack Connecting Rod

The head of this screw stud carries a small cut, and a line is marked on the end of the Shuttle Driving Lever Connecting Rod. These two markings should approximately coincide when the stud head is opposite the screw driver hole at the side of the machine base.

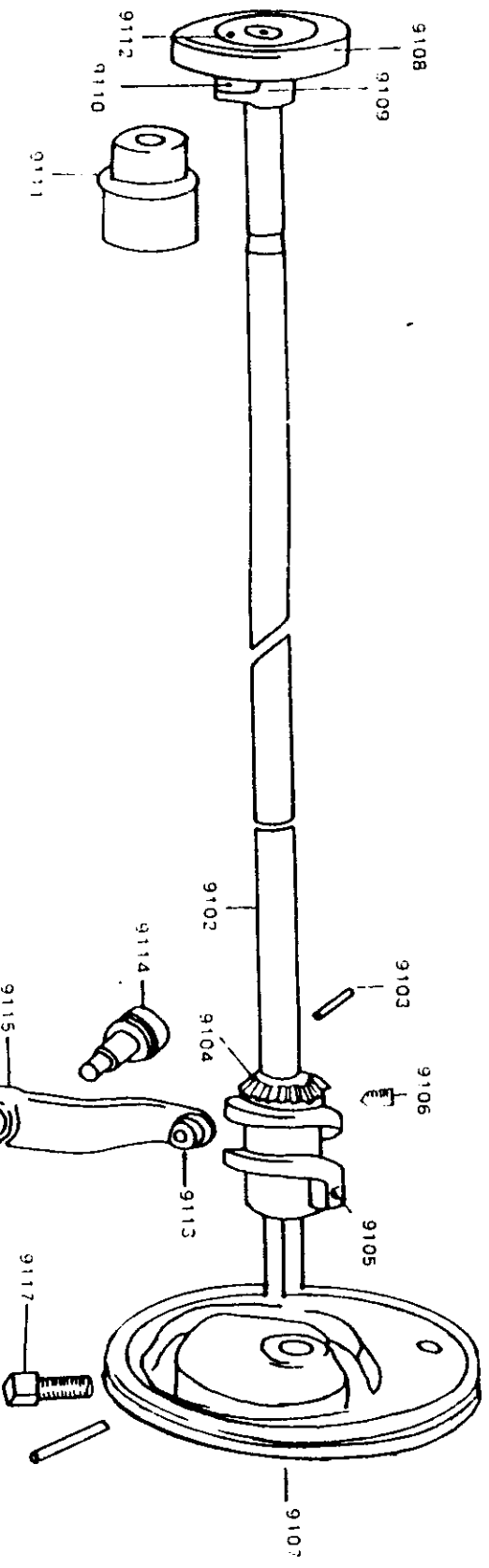
To time the shuttle, turn the Eccentric Stud until the leading edge of the Shuttle Carrier moves at each oscillation to a position approximately one-third of the distance across the needle slot.

## RELATIVE SIZES OF NEEDLES and THREADS

Round Point Needles for Cloth, 29x3  
Wedge and Twist Point Needles for Leather, 29x4

Size of Needles	Size of Cotton, Linen and Silk	
	11	80, 100 Cotton.
13	80 "	24 "
14	60, 80 "	20 "
16	40, 60 "	16, 18 "
17	40 "	16 "
18	30, 40 "	10, 12 "
19	24, 30 "	60, 80 Linen
21	20, 24 "	40, 60 "
22	16, 20 "	25, 40 "
23	12, 16 "	16, 25 "
24	10 "	16, 25 "
25		12, 16 "

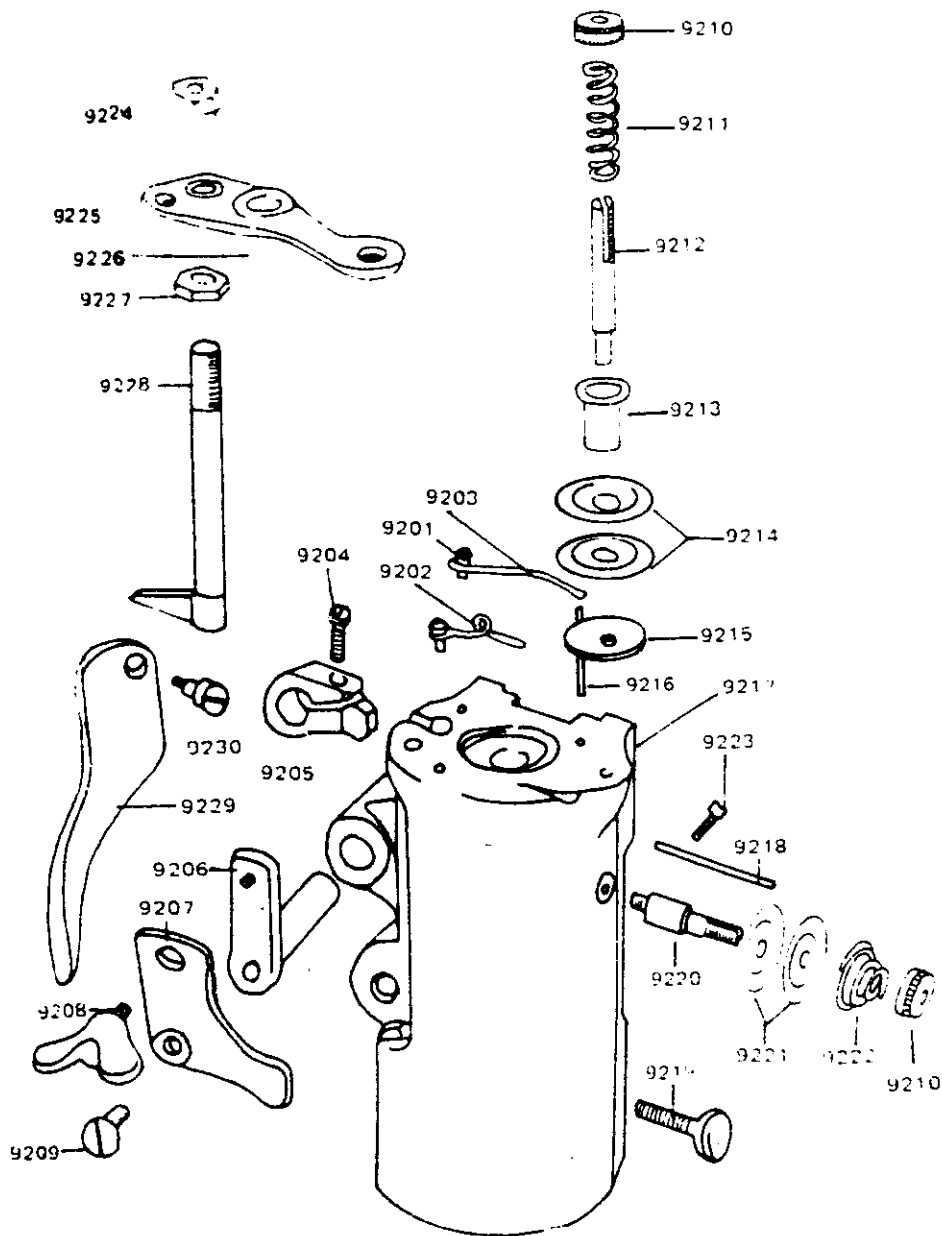
**9101 - 9124**  
**SHAFT, CAM WHEEL, SHUTTLE**  
**DRIVING LEVER, PULLEY**  
**WHEEL AND SHUTTLE DRIVING**  
**LEVER CONNECTING ROD**  
**ASSEMBLY**



- 9101 Shuttle Driving Cam and Gear.
- 9102 Shaft.
- 9103 Pin.
- 9104 Gear.
- 9105 Shuttle Driving Cam.
- 9106 Screw.
- 9107 Needle Bar Cam and Pulley Wheel.
- 9108 Feed Motion Cam Wheel.
- 9109 Cam Wheel Pin.
- 9110 Roller.
- 9111 Shaft Bushing.
- 9112 Roller Pin.
- 9113 Roller and Stud.

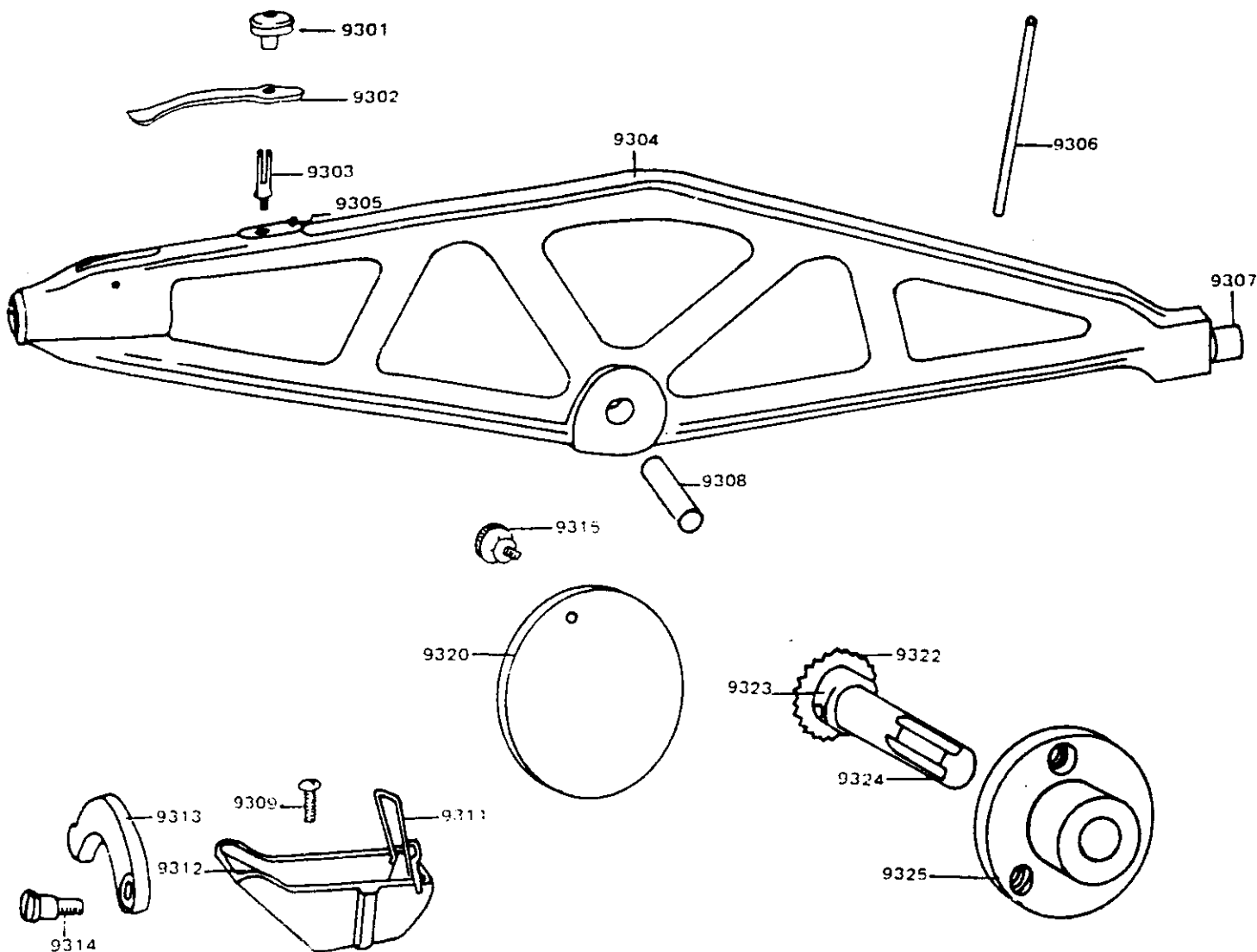
- 9114 Bearing Screw.
- 9115 Shuttle Driving Lever.
- 9116 Eccentric Stud Nut.
- 9117 Cam and Pulley Wheel Set Screw.
- 9118 Shuttle Driving Lever Connecting Rod Complete, Nos.
- 9119 Connecting Rod End (front).
- 9120 Pin (front).
- 9121 Connecting Rod.
- 9122 Pin (back).
- 9123 Connecting Rod End (back).
- 9124 Eccentric Stud.





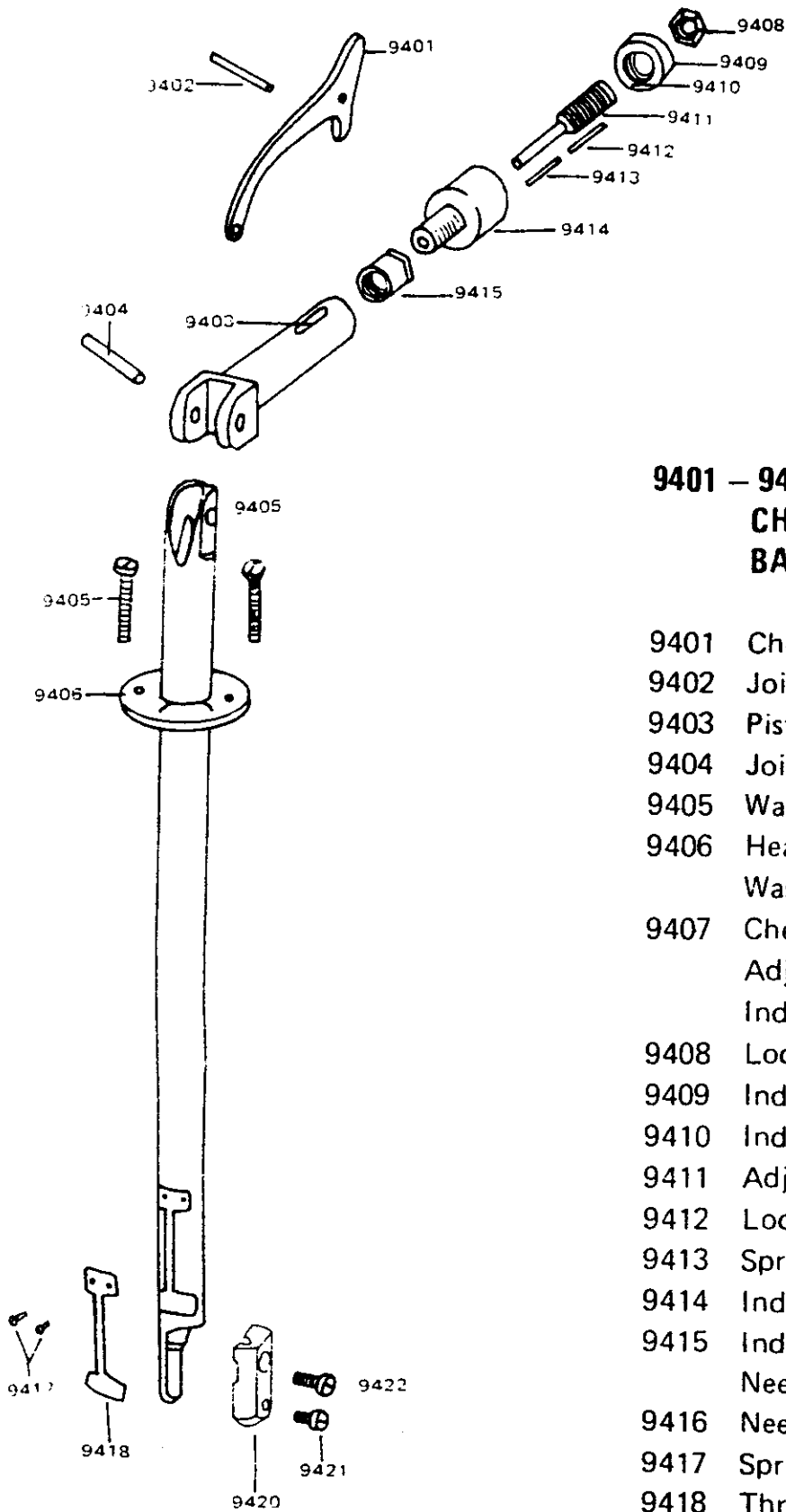
**9201 - 9230**  
**HEAD OF MACHINE AND**  
**TENSIONS COMPLETE**

- |      |                                      |      |  |
|------|--------------------------------------|------|--|
| 9201 | Screw.                               | 9213 | Cup (release).                           |
| 9202 | Thread Eyelet (head of arm).         | 9214 | Disc (2).                                |
| 9203 | Friction Spring.                     | 9215 | Washer (leather).                        |
| 9204 | Clamping Screw.                      | 9216 | Friction Spring Pin.                     |
| 9205 | Lifting Lever Shaft & Lever.         | 9217 | Head of Machine.                         |
| 9206 | Lifting Lever Shaft.                 | 9218 | Thread Guide Pin (side).                 |
| 9207 | Lifting Lever Shaft Adjusting Lever. | 9219 | Head Revolving Bush Stop<br>Thumb Screw. |
| 9208 | Clamping Screw.                      | 9220 | Adjusting Stud (side).                   |
| 9209 | Hinge Screw.                         | 9221 | Disc (2).                                |
| 9210 | Tension Thumb Nut (2).               | 9222 | Tension (side) Spring.                   |
| 9211 | Tension Spring.                      | 9223 | Head Binding Screw (4).                  |
| 9212 | Adjusting Stud (top).                | 9224 | Slide Rod Lock Nut (upper).              |
|      |                                      | 9225 | Foot Bar Revolving Joint Bearing.        |
|      |                                      | 9226 | Hinge Pin.                               |
|      |                                      | 9227 | Lock Nut (lower).                        |
|      |                                      | 9228 | Slide Rod.                               |
|      |                                      | 9229 | Lifter.                                  |
|      |                                      | 9230 | Hinge Screw.                             |



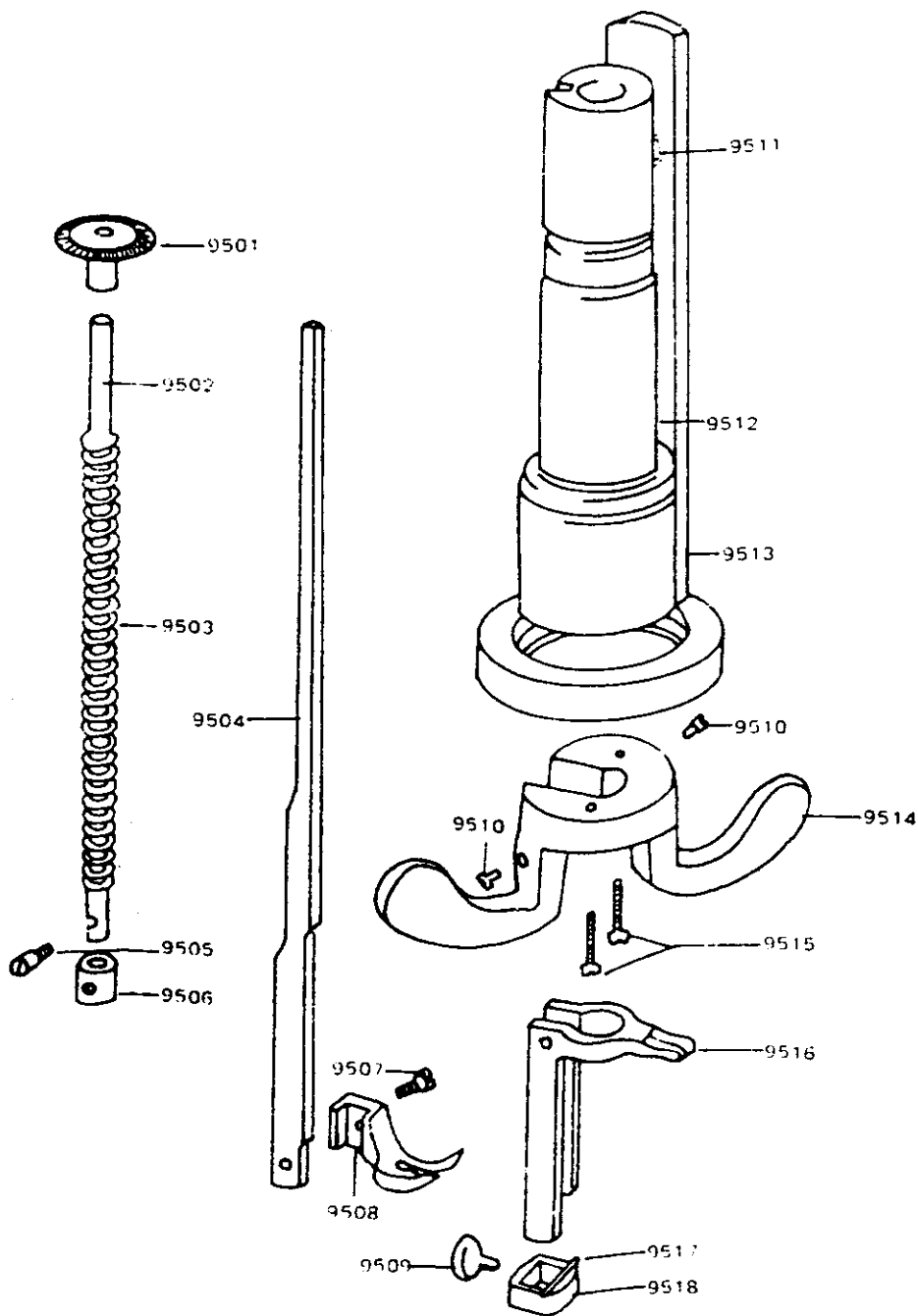
**9301 – 9325**  
**ARM SIDE COVERS, SHUTTLE**  
**DRIVING AND LIFTING LEVERS**

- |      |   |      |   |
|------|---|------|---|
| 9301 | Stud Nut.   |      |   |
| 9302 | Spring.   |      |   |
| 9303 | Spring Stud.  |      |   |
| 9304 | Needle Bar Driving Lever.                             |      |   |
| 9305 | Spring Stead Pin.                                     |      |   |
| 9306 | Spool Pin.  |      |   |
| 9307 | Cam Roller and Stud.                                  |      |   |
| 9308 | Joint Pin.  |      |   |
| 9309 | Oil Cup Screw.  |      |   |
| 9310 | Oil Cup with 8597 and 8695                            |      |   |
| 9311 | Spring.   |      |   |
| 9312 | Oil Pad (cloth).                                      |      |   |
| 9313 | Vibrating Presser Lifting Lever<br>(for medium work). |      |   |
| 9314 | Lifting Lever Screw.                                  |      |   |
| 9315 | Thumb Screw.  |      |   |
|      |   | 9320 | Arm Side Cover (back).  |
|      |   | 9321 | Hand Wheel Hub Complete, Nos.<br>11663, 81869, 82008 and 82052<br>for use when Hand Wheel is fitted<br>on front of Machine. |
|      |   | 9322 | Hand Wheel Shaft Gear.  |
|      |   | 9323 | Gear Pin  |
|      |   | 9324 | Shaft.  |
|      |   | 9325 | Hub.  |



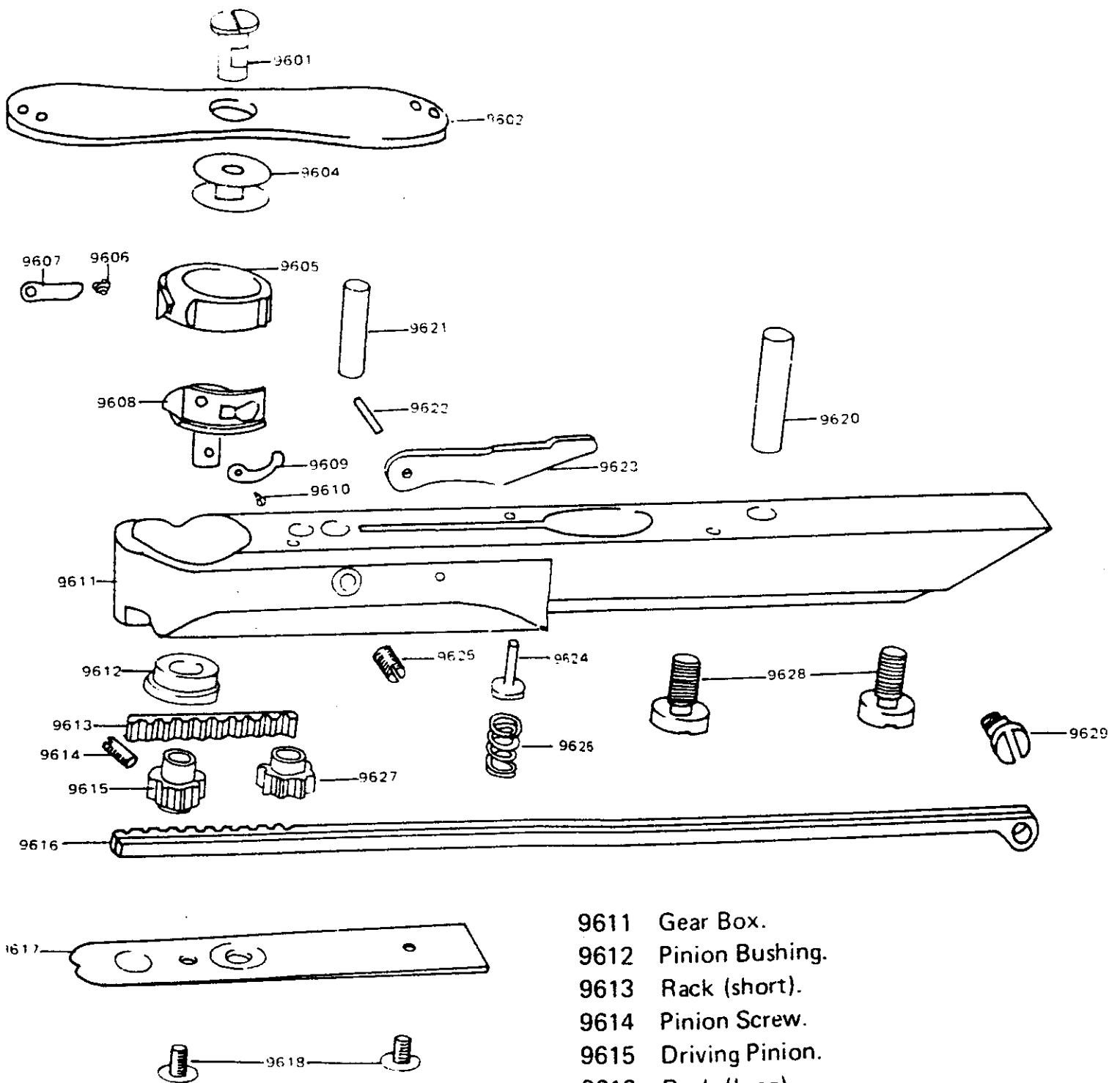
**9401 – 9422  
CHECK LEVER AND NEEDLE  
BAR COMPLETE**

- 9401 Check Lever
- 9402 Joint Pin.
- 9403 Piston Joint.
- 9404 Joint Pin.
- 9405 Washer Screw (2).
- 9406 Head Revolving Bush Supporting Washer.
- 9407 Check Lever Thread Take-up Adjusting Screw with Indicator complete.
- 9408 Lock Nut
- 9409 Index Head.
- 9410 Index Head Stop Pin.
- 9411 Adjusting Screw.
- 9412 Locating Plunger.
- 9413 Spring.
- 9414 Indicator Booy.
- 9415 Indicator Body Lock Nut.
- 9416 Needle Bar Complete.
- 9417 Spring Screw (2)
- 9418 Thread Tension Spring.
- 9419 Needle Bar.
- 9420 Needle Bar Clamp
- 9421 Needle Clamping Screw.
- 9422 Clamp Screw.



**9501 – 9518**  
**FOOT BAR AND FOOT BAR**  
**REVOLVING JOINT**

- |      |                           |      |                               |
|------|---------------------------|------|-------------------------------|
| 9501 | Adjusting Nut.            | 9509 | Stitch Regulator Thumb Screw. |
| 9502 | Spring Bar.               | 9510 | Joint Screw (2).              |
| 9503 | Vibrating Presser Spring. | 9511 | Roller and Stud.              |
| 9504 | Foot Bar.                 | 9512 | Revolving Bush.               |
| 9505 | Collar Screw.             | 9513 | Slide Bar.                    |
| 9506 | Spring Bar Collar.        | 9514 | Revolving Bush Handle.        |
| 9507 | Feeding Foot Screw.       | 9515 | Handle Screw (2).             |
| 9508 | Feeding Foot.             | 9516 | Bell Crank Lever.             |
|      |                           | 9517 | Gib.                          |
|      |                           | 9518 | Stitch Regulator.             |

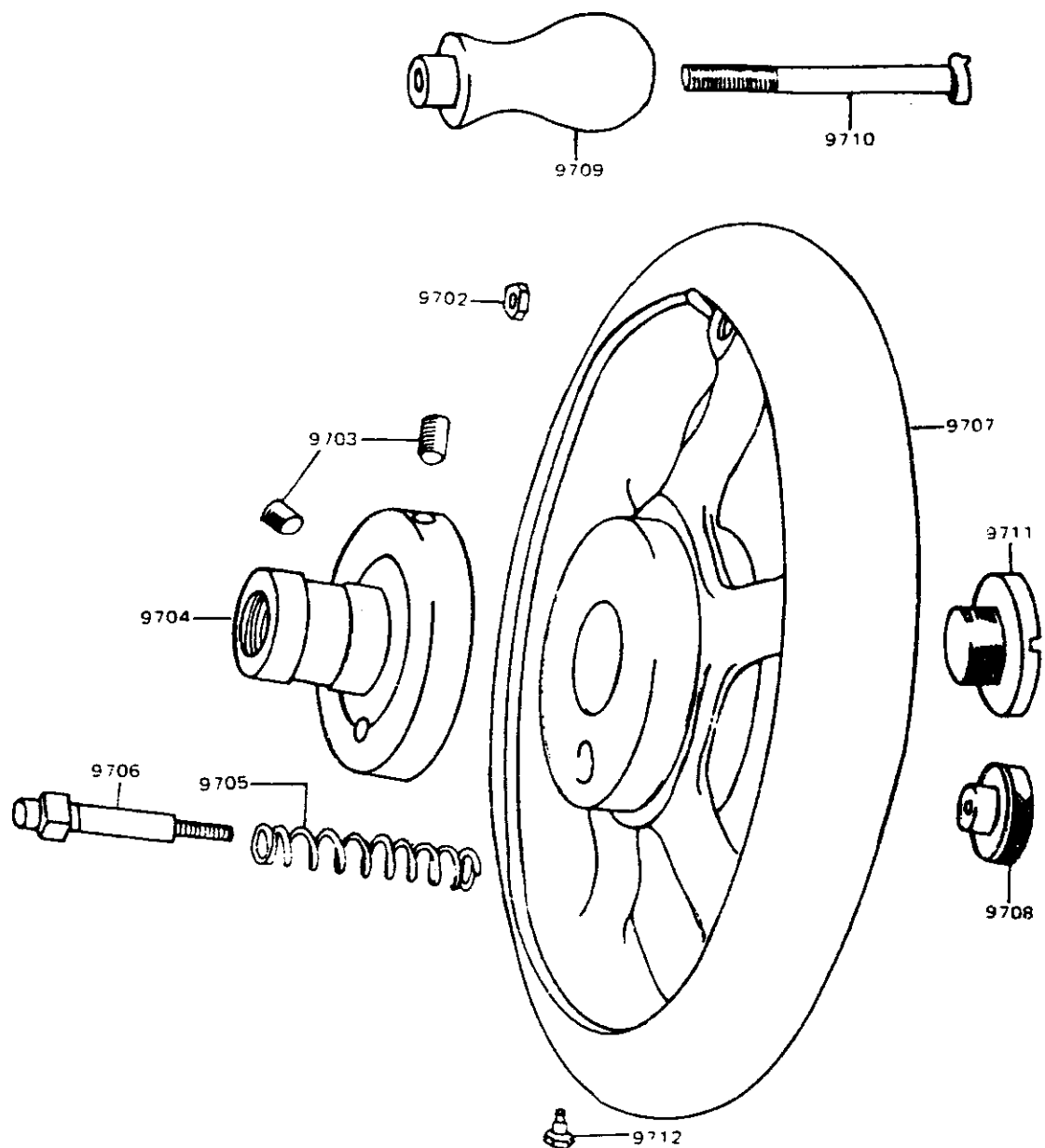


**9601 – 1629**

**NEEDLE PLATES, GEAR BOX  
AND SHUTTLE COMPLETE**

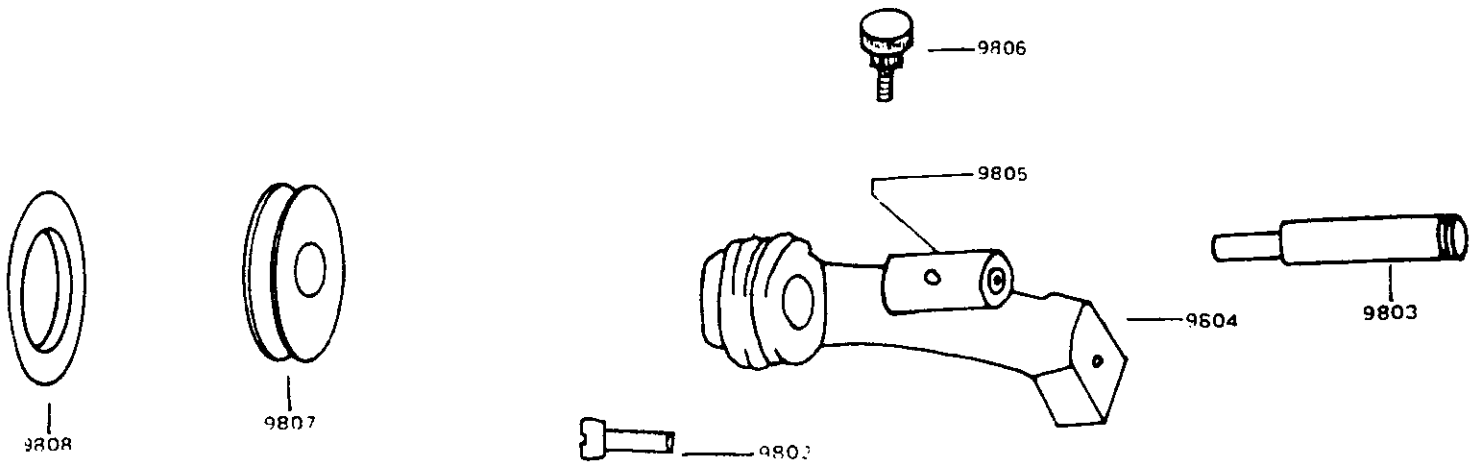
- 9601 Needle Plate Hinge Pin.
- 9602 Needle Plate (fine and medium needle holes).
- 9603 Shuttle complete.
- 9604 Bobbin.
- 9605 Shuttle Body.
- 9606 Tension Regulating Screw.
- 9607 Tension Spring.
- 9608 Shuttle.
- 9609 Spring.
- 9610 Spring Screw.

- 9611 Gear Box.
- 9612 Pinion Bushing.
- 9613 Rack (short).
- 9614 Pinion Screw.
- 9615 Driving Pinion.
- 9616 Rack (long).
- 9617 Pinion Cover Plate.
- 9618 Plate Screw (2).
- 9619 Needle Plate (medium and coarse needle holes).
- 9620 Following Pinion Stud.
- 9621 Gear Box Position Pin.
- 9622 Releasing Lever Hinge Pin.
- 9623 Releasing Lever.
- 9624 Locating Plunger.
- 9625 Needle Plate Hinge Pin Binding Screw.
- 9626 Plunger Spring.
- 9627 Following Pinion.
- 9628 Gear Box Screw (2).
- 9629 Connecting Rod Hinge Screw.



**9701 – 9712  
HAND WHEEL AND STOP  
MOTION COMPLETE**

- 9701 Hand Wheel and Stop Motion complete.
- 9702 Nut.
- 9703 Binding Screw (2).
- 9704 Hand Wheel Stop Motion Flanged Bushing.
- 9705 Spring.
- 9706 Stop Motion Plunger.
- 9707 Hand Wheel.
- 9708 Plunger Thumb Nut.
- 9709 Handle (wood).
- 9710 Spindle.
- 9711 Retaining Screw.
- 9712 Plunger Stop Screw.



### 9801 – 9808 BOBBIN WINDER COMPLETE

- 9801 Bobbin Winder complete.
- 9802 Frame Screw.
- 9803 Spindle.
- 9804 Frame.
- 9805 Eccentric.
- 9806 Eccentric Thumb Screw.
- 9807 Pulley.
- 9808 Rubber Ring.  
Spindle.

### 9851 – 9863 ACCESSORIES

- 9851 Oiler.
- 9855 Screw Driver (machine).
- 9856 Screw Driver (shuttle tension).
- 9857 Machine Screw (for fastening  
Machine to Power Table) (4).
- 9859 Machine Screw (for  
fastening Machine to Stand) (4).
- 9863 Threading Wire.