

# **GLOBAL**

---

INDUSTRIAL SEWING MACHINES

**\*\*\* PARTS BOOK /  
INSTRUCTION MANUAL \*\*\***

MOD. ME-18

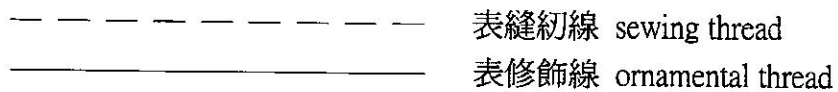
---

**IMPORTANT**

- 1、 Before starting the machines , oil bearings of all moving parts .
- 2、 Threading Machine see Fig. #1 :
  - — — — — indicates the sewing thread
  - indicates ornamental thread
- 3、 Hold the tale of the thread passed through the needle hole , and turn the hand pulley clockwise until the sewing thread is hooked by Latch Hook .  
Repeat the same procedure mentioned above after the ornamental thread passes through the looper . Pass ornamental thread through the thread guide ( #102A ) , instead of through guide ( #102B ) for sewing the thinner material , or more take - up stroke is required .
- 4、 **Motor size: 1/4 HP clutch motor , Pulley size: 2" .**

一、注意要點

- 1、 開始使用機器前，先對所有傳動零件添加針車油使運轉更順暢。
- 2、 穿線法：請依圖示穿線



- 3、 托住線穿過車針孔 needle hole 的桌子並順時鐘轉動浦力 pulley (#110) 直到縫紉線 sewing thread 被活動勾針 Latch hook (#187) 勾住。在修飾線 ornamental thread 穿過鉤針 looper (#140) 後，重覆上面的動作。當編縫薄料時以引線器 thread guide (#102-A) 代替引線器 thread guide (#102-B)。
- 4、 **馬達尺寸: 1/4 HP 馬力 , 2" 浦力 (馬達轉輪)**

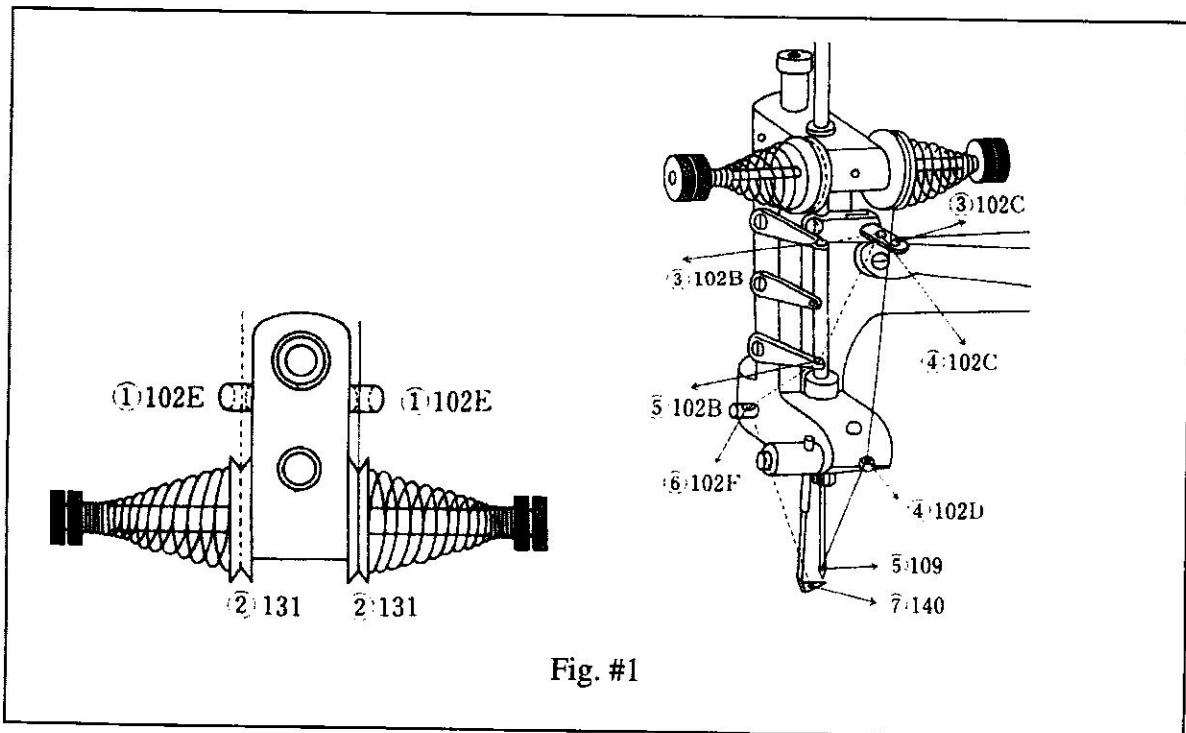


Fig. #1

## REPLACING NEEDLES

Turn the pulley away ( clockwise ) until the needle reaches in its highest point and loosen the needle clamp nut ( #108 ) by the wrench supplied as accessory to remove the old or defective needle .

Insert the new needle and tighten the needle clamp nut ( #108 ) .

Always replace the old or defective needles .

They affect the satisfactory operation of the machine .

### 二、車針 needle (#109) 的更換

順時鐘轉動浦力 pulley (#110) 直到車針 needle (#109) 移到它的最高點，並轉開針留 needle clamp nut (#108) 換上新的車針後轉緊針留 needle clamp nut (#108)。當車針 needle(#109) 損壞或太舊時請更換，不然會影響到機器的運轉。

## REPLACING LATCH NEEDLE

Turn the pulley until the Latch Needle comes underneath the looper and loosen the set screw ( #188 ) by the driver through the hole located in the Frame Cap ( #184 ) . By this , the Latch Needle can be removed by hand .

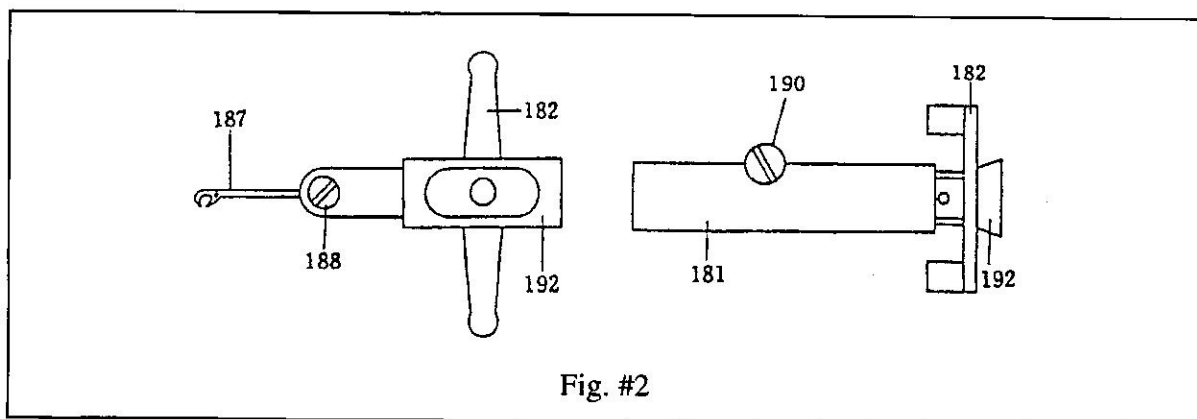
Insert the new Latch Needle until it reaches to the deepest point , but make it sure that the Latch Needle is not inserted twisted .

Should you find any excess play on the Latch Needle , adjust the position of the Latch Needle Carrier Guide ( L-shape ) ( #181 ) by loosening the Screws ( #190 ) , so that the L-shape Guide holds Latch Needle Carrier ( #182 ) lightly . See Fig. #2 .

### 三、勾針 latch needle (#187) 的更換

轉動浦力 pulley 直到勾針 latch needle(#187) 在鉤針 looper(#140) 的下面，透過前蓋板 frame cap (#184)的洞可轉開螺絲 (#188)，然後勾針 latch needle(#187) 便可用手移動。插入新的勾針 latch needle(#187) 直碰觸到最深點，但小心不要插歪。

假如發現勾針 latch needle 有任何的偏移時，轉動螺絲(#190) 調整勾針 L 形導引器 latch needle carrier guide(L-shape)(#181) 的位置，讓 L 形導引器 L-shape guide 輕輕扣住勾針傳動器 latch needle carrier(#182)。



## TIMING OF LOOPER

Looper serves the purpose to reinforce the seams made by sewing thread , always to ease the sewing thread to be hooked by the Latch Needle .

Accordingly , the looper timing is most important to obtain the satisfactory seams .

### ( a ) 、 Adjustment of the Looper Heights

Set the looper so that it will be positioned with the following clearance between the Latch Needles :

On Model: 38 、 38L and Model: 27 、 27L ..... 0.5m/m

On Model: 17 、 17L ..... 0.2m/m

The above adjustments can be made by the Looper Set Screw ( #144 ) .

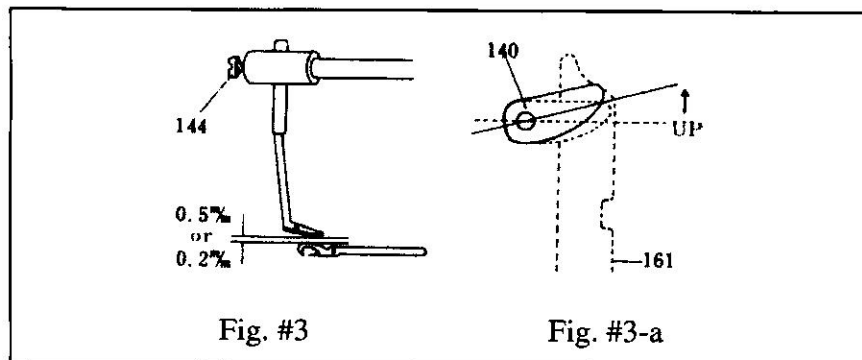
### ( b ) 、 Looper Toe is to be adjusted as shown by ( Fig. #3-a )

### ( c ) 、 Adjustment of the Looper Movement . This can be made by the cam slide set screw #144 . Set the looper , so that it comes to the closest position to the needle , when the needle goes up , but not touch to the needle .

Incorrect setting is the cause of the skip of seams and make it sure that this timing is properly set . See Fig. #4.

### ( d ) 、 Needle Guide ( #206 ) serves the purpose not only to guard the needle in its correct position , but to open the Latch of Needle , occasionally .

Adjust the position of the thread guide by loosening the Needle Guard Bracket Screw #212 so that the top point of the Latch Needle comes to as close as to the Needle Guide , as Shown in the fig. #5.



## 四、鉤針 looper(#140) 擺動的時序 timing

鉤針 looper(#140) 的目的是修飾縫紉線 sewing thread 編織的縫接口，所以縫紉線要能輕易的被勾針 latch needle(#187) 勾住，總之鉤針 looper(#140)的擺動時序，對於編縫滿意的縫接形狀有很大的影響。

### (a) 鉤針 looper 高度的調整

調整螺絲(#144)，讓鉤針 looper(#140) 與勾針 latch needle(#187)的間隙如圖示。

機型 38、38L 和 機型 27、27L : ..... 0.5 m/m

機型 17、17L : ..... 0.2 m/m



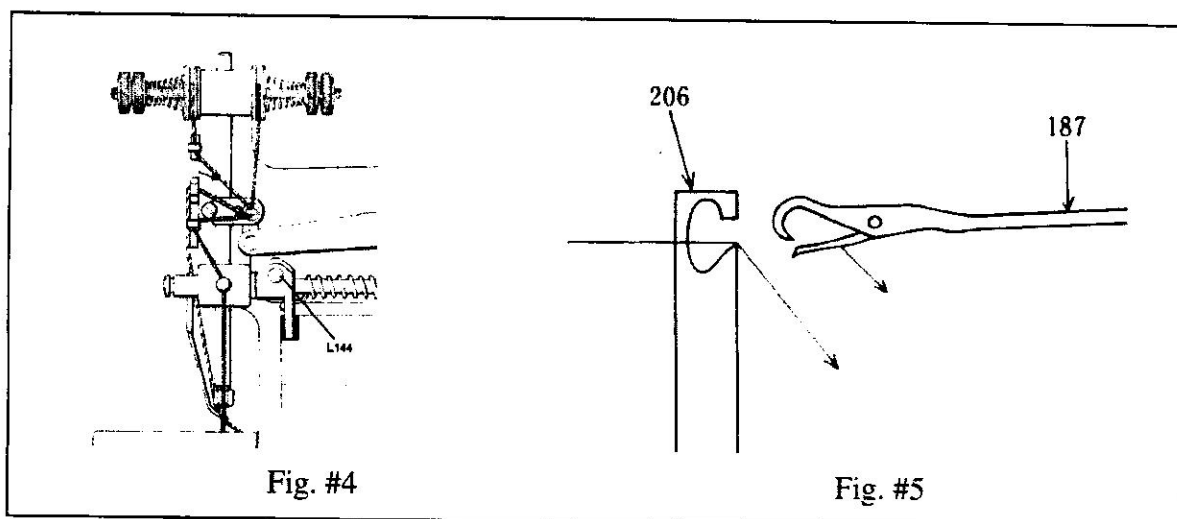
(b) 鉤針 looper 前端的調整如 3-a 圖示

(c) 鉤針 looper 移動時序的調整

調整螺絲 cam slide set screw(#144) 來修正鉤針 looper 的移動，讓鉤針 looper(#140)上升時最靠近車針 needle(#109)但又不會互相碰觸，縫接口會跳針是因為上述鉤針 looper 時序 timing 的不正確設定。

(d) 針受 needle guard(#206)

針受 needle guard(#206) 不單只是保護車針 needle 進到正確的位置，也有打開活動勾針 latch needle 的功能。鬆開針受托架螺絲 needle guard bracket screw(#212) 便可調整引線器 thread guide 的位置，讓活動勾針 latch needle 的頂端盡可能的靠近針受 needle guard。



#### REPLACEMENT OF SEAM FORMING PLATE #161

Seam forming Plate #161 serves a purpose of Chaining Fingers and is important for the satisfactory seam. Replace the plate whenever it is damaged by the needle.

Setting the different plate can be made as follows :

(a) On Model: 38

Seam Forming Plate is designed with the stopper in its right side edge and accordingly, set the plate by pulling the same to the fullest extent.

(b) On Model : 27 and 17

The timing point is marked on the seam forming plate and the base cover and accordingly, set by these points. Fig. #6.

#### 五、出線小針板的調整

出線小針板 seam forming plate(#161) 決定鏈狀的寬度，不同寬度的調整如下。

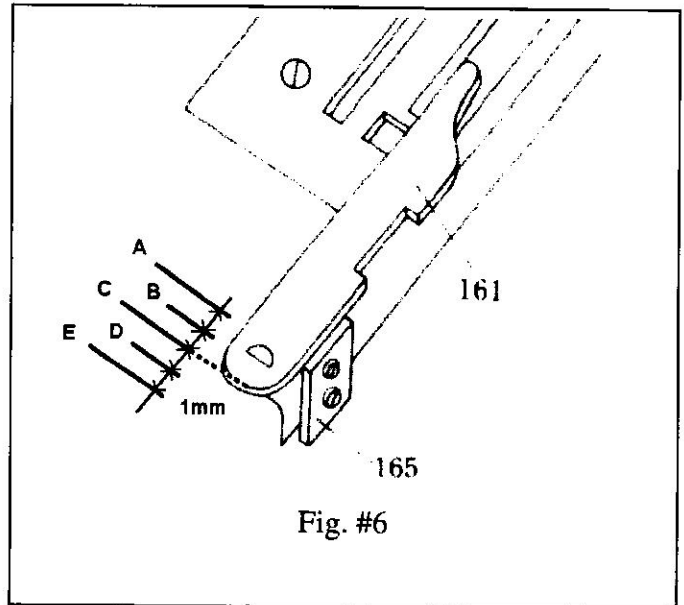
(a) 機型 38

出線小針板 seam forming plate(#161) 用右側邊緣的制止器來設定，讓縫接口拉到最大的寬度。

(b) 機型 27、機型 17

適當的調整點被標示在出線小針板 seam forming plate(#161)上，依標示點來作設定。

POINT #161 位置	1 STITCH	4 STITCH 3 STITCH	8 STITCH 6 STITCH
機型 38	C-A	C-D	C-E
機型 27	C-B	C-D	C-D
機型 17	---	C-D	C-D
機型 38L	B-A	---	---
機型 27L	C-D	---	---
機型 17L	C-B	---	---



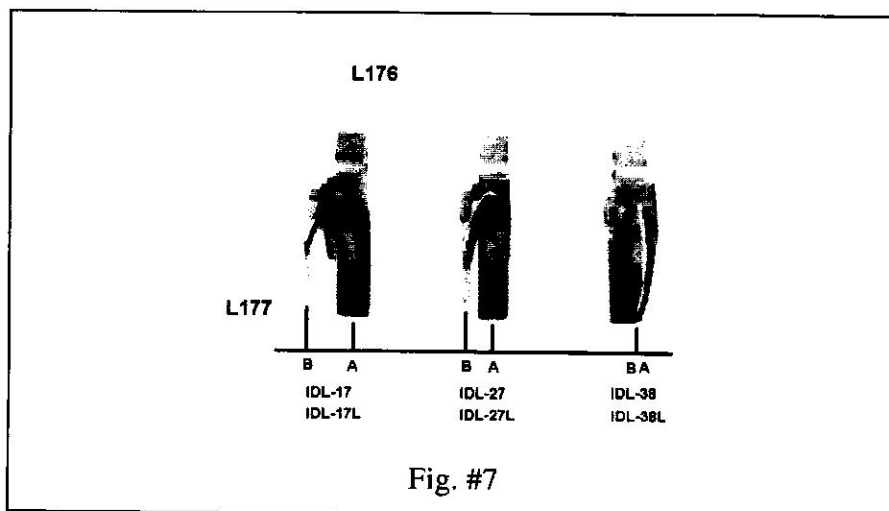
### THREAD CARRIER

Thread Carrier ( #177 ) serves the purpose that the sewing thread passes over the Latch of the Needle , as well as to press down the ornamental thread through the looper .

Thread Carrier #177 should be set horizontally on Model: 38、38L , but a little slantly on Model: 27、27L and quite slantly on Model: 17、17L See Fig. #7

### 六、帶線器 thread carrier(#177)

帶線器 thread carrier(#177) 的功用是當縫紉線 sewing thread 穿過活動勾針 latch needle 後，帶動修飾線穿過鉤針 looper。機型 38、38L 的帶線器 thread carrier 是平直的，機型 27、27L 的帶線器 thread carrier 是有一點斜角，機型 17、17L 的帶線器 thread carrier 則有很大的斜角。



## REMOVAL AND SETTING OF FRAME CAP #184

### REMOVAL

First, remove the Latch Needle and remove the screws #190 on the Slide #271 and Guide #275. Then loosen two screws #189 and #184 to remove the Frame cap by pulling out.

### SETTING

While trying to put the cover plate in its position, turn the pulley in both ways (rear and forward) with manual slight adjustment, so that the two rollers on the latch needle carrier will meet the cam groove, then push the cover forward.

It is suggested that you remove the latch needle beforehand, whenever you start this procedure.

### 七、前蓋板 frame cap(#184) 的移動與調整

- (a) 移開活動勾針 latch needle 和針織數調整滑桿 stitch number adjusting lever slide(#271) 上的螺絲及布料導引器 seam width guide(#275), 然後鬆開螺絲(#189)和螺絲(#184)後, 便可移動前蓋板 frame cap(#184)。
- (b) 當要放上蓋板 cover plate 前, 用手慢慢的前後轉動浦力 pulley, 並確定活動勾針傳動器 latch needle carrier 上的滾輪緊密的咬合後, 才可關上蓋板 cover plate。

## CHANGE LEVER

On Model: 38 and 27, the different numbers of stitches per shall can be obtained by the stitch number adjusting lever. Press the Ratchet #274 for the change to the different stitch number.

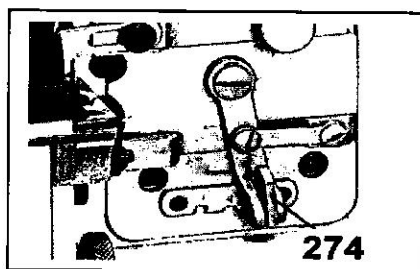
On Model: 17, this lever is not equipped and the change of the stitch number can be obtained by the cam (#203-17) attached to the feed gear (#200-17). Stitch number is 6 per shell by two cams and 3 stitches by one cam.

### 八、針織數 stitch number 的調整

機型 38、27 每一貝形的針織數, 可由針織數調整桿 stitch number adjusting lever 來改變, 利用制輪 ratchet(#274) 便可設定不同的針織數。其每一貝形的針織數可調為 1、4、8 針。

機型 17 利用凸輪 cam(#203-17) 與送料齒輪 feed gear(#200-17), 可調出每一貝形的針織數為 3、6 針,

若是 6 針請配用 2 個凸輪 cam(#203-17),  
若是 3 針請配用 1 個凸輪 cam(#203-17)。



## ADJUSTING THE FEED VOLUME AND SEAM WIDTH

Feed Volume (Stitch Range)

Model: 38 SERIES: Open the side cover and move the Feed Connecting rod #251 for adjustment , by loosening the nut #254.

Model: 18 SERIES: Change the feed eccentric(#14617) for adjustment.

Seam width can be adjusted but very slightly by the seam guide #275 . ( Fig. #8 )

On Model: 38 、 38L.....10m/m

On Model: 27 、 27L.....7 m/m to 9 m/m

On Model: 17 、 17L.....5 m/m to 6 m/m

Heights of the Feed Lever #261 can be adjusted by the adjuster #259 , located on the Feed Bar Bracket #257 .

By moving the adjuster #259 to the left side , higher position of the feed is obtained and is good for heavier material .

Movement to the right side , lower the heights of the feed dog and is good for thinner material . ( Fig. #9 )

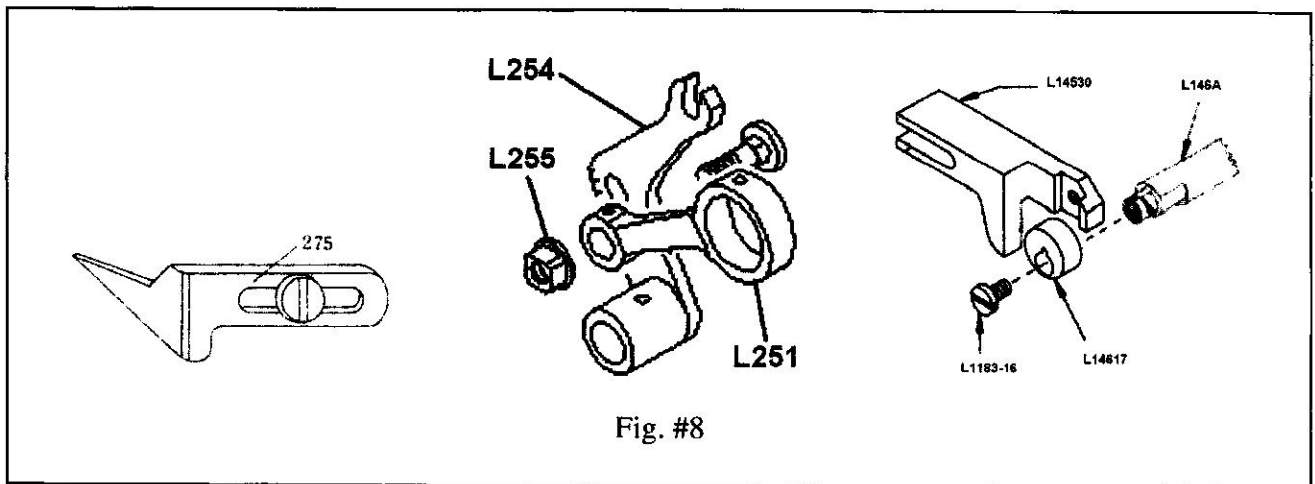


Fig. #8

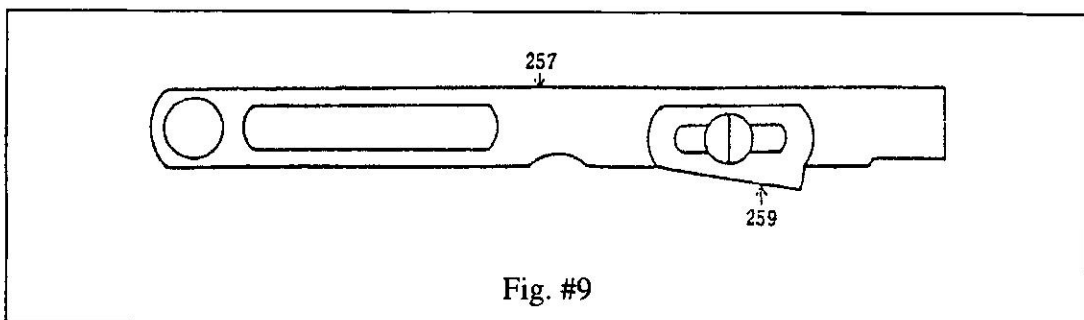


Fig. #9

- < ----- Higher Position for Heavier Material
- > Lower Position for Thinner Material

## 九、貝形寬度 seam width 與貝形(針距)大小 feed volume 及厚薄的調整

### (a) 貝形(針距)大小 feed volume

機型 38 系列: 打開邊蓋, 鬆開螺母 nut(#254)便可調整送料連結桿 feed connecting rod(#251), 往上往下移動便可調整貝形(針距)大小 feed volume。

機型 18 系列: 更換偏心凸輪 feed eccentric(#14617) 便可調整針距大小 feed volume。

### (b) 貝形寬度 seam width

布料導引器 seam guide(#275)可調整些許的貝形寬度 seam width。

機型 38、38L: 10 m/m

機型 27、27L: 7 m/m to 9 m/m

機型 17、17L: 5 m/m to 6 m/m

### (c) 厚薄的調整

向左移動調整器 adjuster(#259) 便可包縫厚重的布料, 向右移動調整器 adjuster(#259) 便可包縫輕薄的布料。

## SUGGESTIONS

### COBALT Clam-shape stitch

Machine produces the different sizes and taste shell stitches by the application of the different kinds of clothes, thread and yarn.

In order to obtain the better shell stitches, the followings are suggested:

- (a) Make the tension of Loper Thread or Yarn always a little loose.
- (b) For using the synthetic stretchable thread, loosen the tension of the looper thread, and also make the tension of the sewing thread tighter.
- (c) For stretchable materials, make the tension of the looper thread tight to prevent the stretch of the material itself.

Kinds of thread and Yarns to be used for the Large shell stitch:

For Model: 38 ( Large size Shell stitch ) .....Wool and synthetic

For Model: 27 ( Medium size shell stitch ) ...Wool and synthetic

For Model: 17 ( Small size shell stitch ) ..... Cotton and tetlon

(d) In order to obtain more loose tension on the looper thread, adjust the angle of the thread guide, as illustrated. ( Fig. #10)

(e) If necessary, pass the looper thread through #102A after #102B before through to #102C. ( Fig. #11)

## 十、建議

應用不同的布料、線和紗可以包縫出不同的貝形飾邊, 請依下列程序作調整。

- (a) 調整紗拉 tension 讓鉤針線 looper thread 或紗 yarn 有一點寬鬆。
- (b) 使用會伸縮的合成線時, 調整紗拉 tension 讓鉤針線 looper thread 寬鬆一點, 讓縫紉線 sewing thread 有緊一點。

(c) 使用會伸縮的布料時，調整紗拉 tension 讓鉤針線 looper thread 緊一點，防止布料自行拉長。

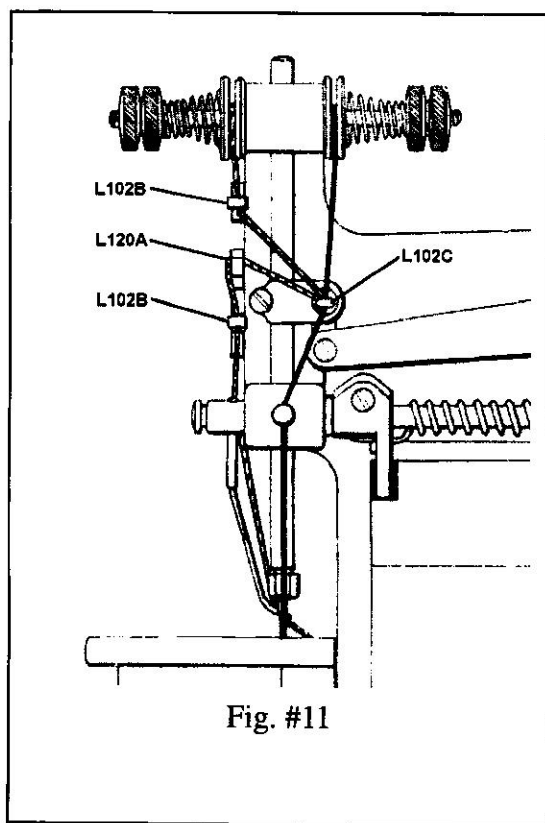
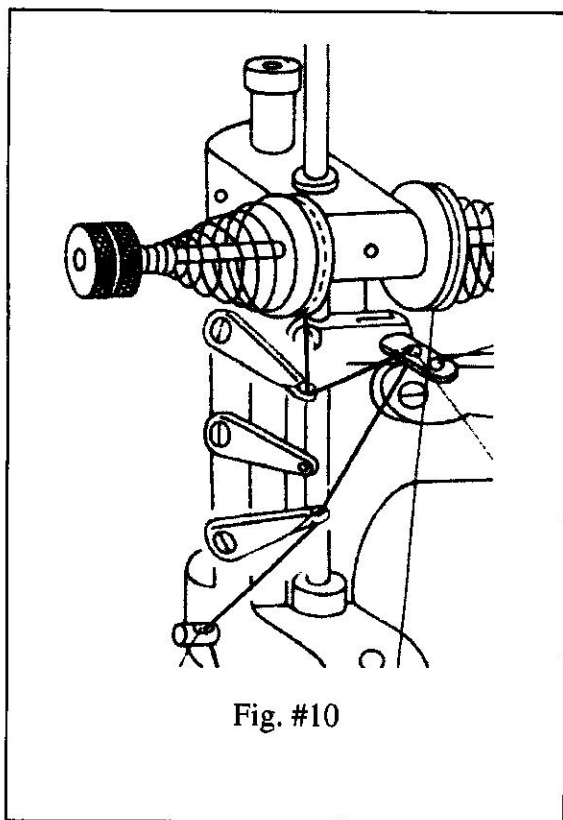
機型 38：大貝飾邊、毛線 wool 和合成線 synthetic

機型 27：中貝飾邊、毛線 wool 和合成線 synthetic

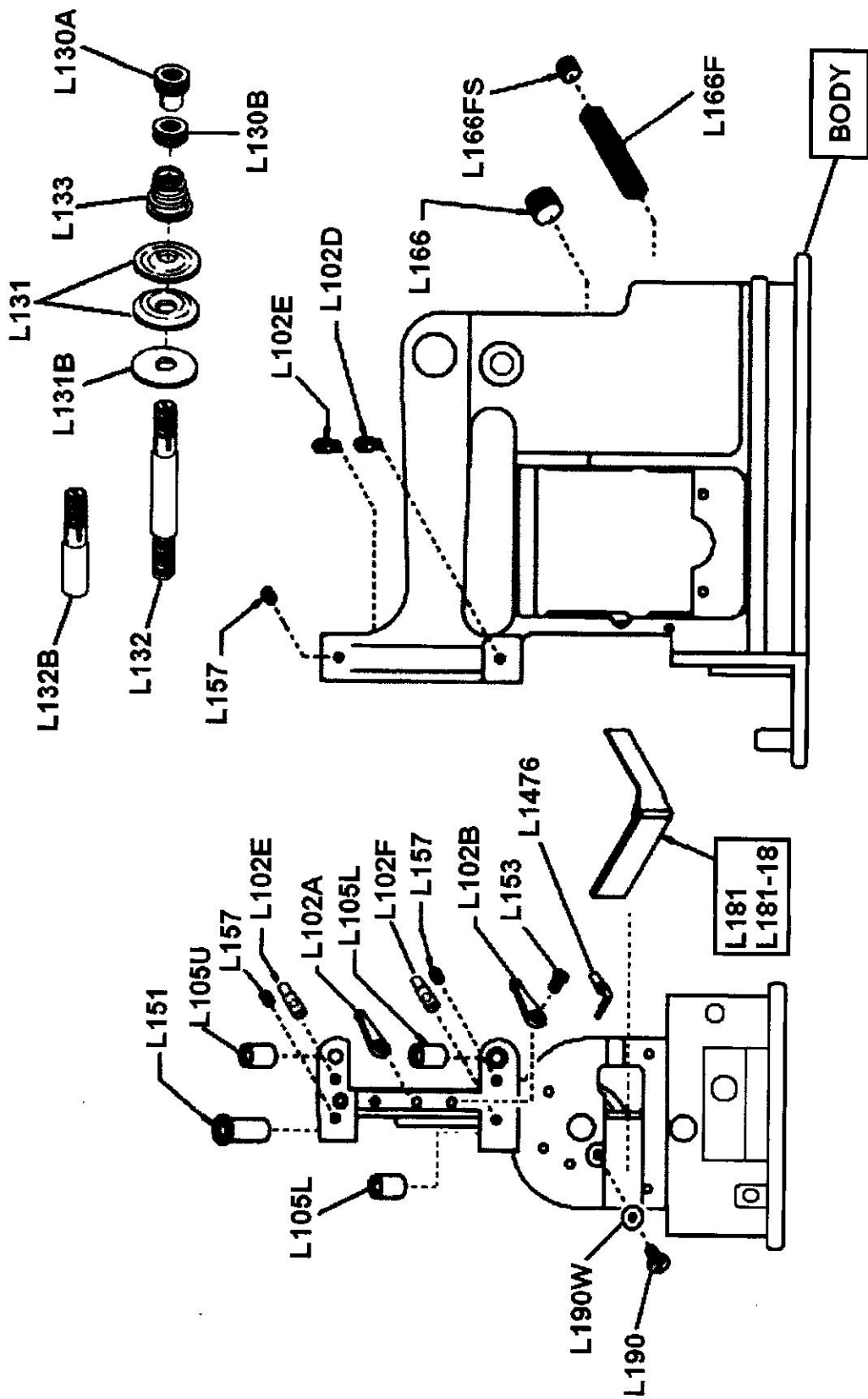
機型 17：小貝飾邊、棉料 cotton 和尼龍線 tetlon

(d) 調整引線器 thread guide 的角度可得到較寬鬆的鉤針線 looper thread，如圖 Fig#.10

(e) 如果必要的話，請將鉤針線 looper thread 依 #102B、#120C、#120A、#120B 順序穿線，如圖 Fig#.11。



# 1. Thread Guide and Shaft Bushing



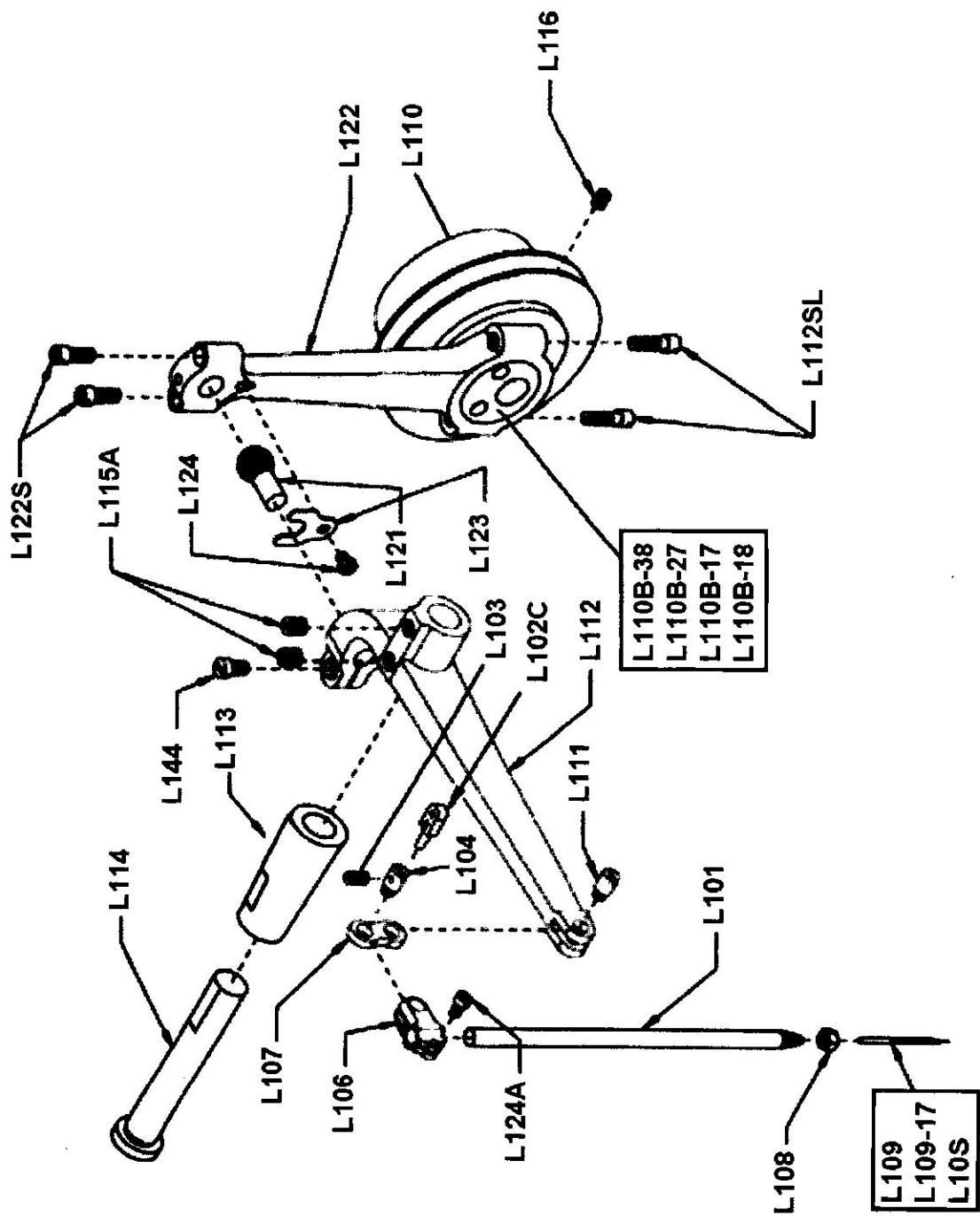
## 1. Thread Guide and Shaft Bushing

PARTS NO.	DESCRIPTION
L102A	THREAD GUIDE A
L102B	THREAD GUIDE B
L102D	THREAD GUIDE D
L102E	THREAD GUIDE E
L102F	THREAD GUIDE F
L105L	UPPER NEEDLE BAR BUSHING
L105U	LOWER NEEDLE BAR BUSHING
L130A	TENSION NUT A
L130B	TENSION NUT B
L131	TENSION PLATE
L131B	FELT
L132	TENSION STUD FOR MODEL: 38 SERIES
L132B	TENSION STUD FOR MODEL: 18 SERIES
L133	TENSION SPRING
L1476	CAST OFF HORN
L151	UPPER PRESSER BAR BUSHING
L153	THREAD GUIDE SCREW
L157	BUSHING SCREW
L166	PLUG PIN ON BODY
L166F	FELT
L166FS	SCREW
L181	LATCH NEEDLE CARRIER GUIDE (L-SHAPE) FOR MODEL: 38 SERIES
L181-18	LATCH NEEDLE CARRIER GUIDE (L-SHAPE) FOR MODEL: 18 SERIES
L190	LATCH NEEDLE CARRIER GUIDE SCREW
L190W	LATCH NEEDLE CARRIER GUIDE WASHER

BODY	DESCRIPTION
L-38M	MACHINE FRAME FOR MODEL: 38
L-27M	MACHINE FRAME FOR MODEL: 27
L-17M	MACHINE FRAME FOR MODEL: 17
L-18M	MACHINE FRAME FOR MODEL: 18



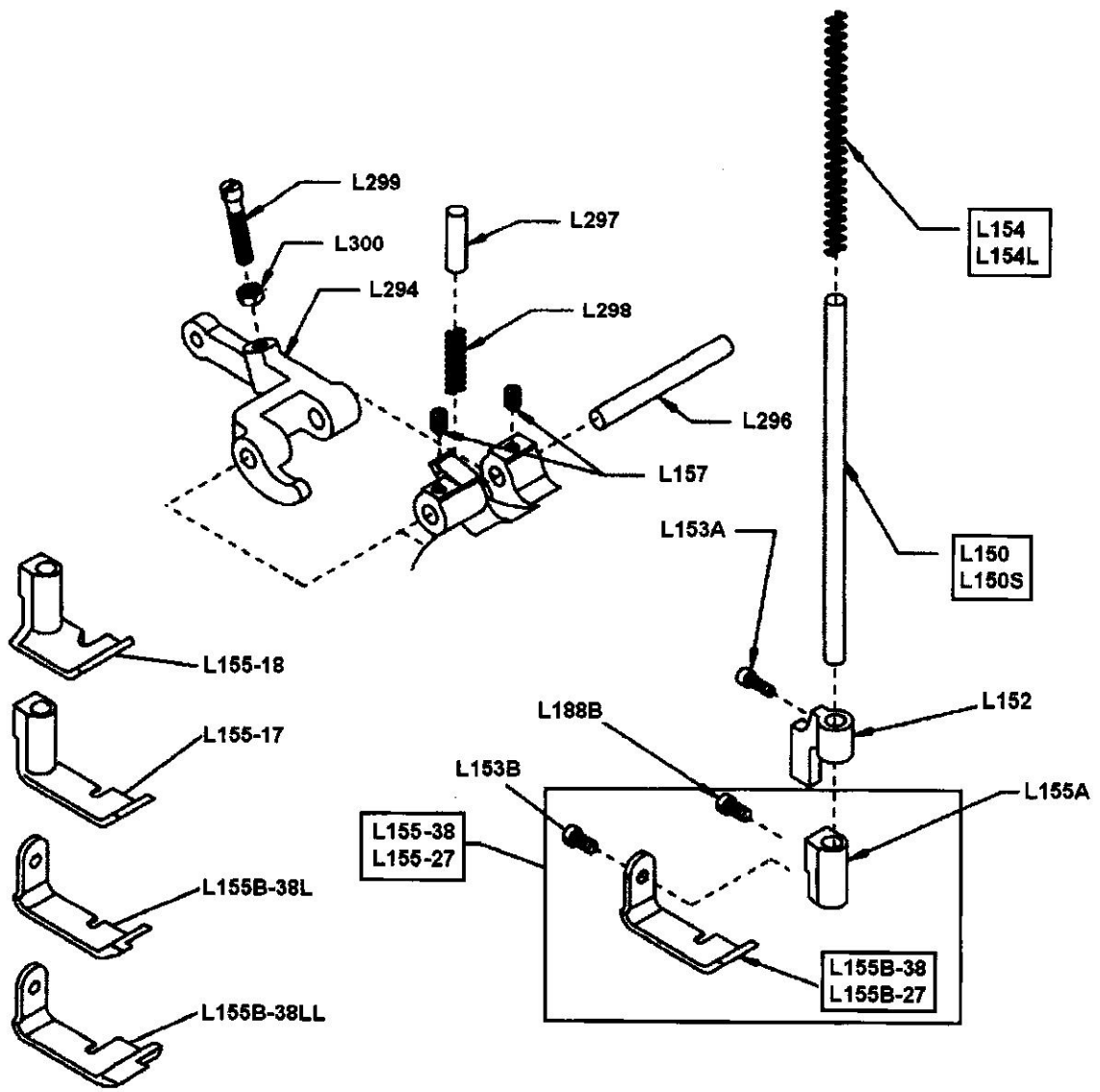
## 2. Needle Driving Mechanism



## 2. NEEDLE DRIVING MECHANISM

PARTS NO.	DESCRIPTION
L101	NEEDLE BAR
L102C	THREAD GUIDE
L103	THREAD GUIDE SCREW
L104	CONNECTING ROD STUD LARGE
L106	NEEDLE BAR GUIDE
L107	CONNECTING ROD
L108	NEEDLE CLAMP
L109	NEEDLE FOR MODEL: 38, MODEL: 27 ( DBx1 #23 )
L109-17	NEEDLE FOR MODEL: 17 ( DBx1 #19 )
L10S	NEEDLE FOR MODEL: 18
L110	PULLEY
L110B-38	DRIVING BALL FOR MODEL: 38
L110B-27	DRIVING BALL FOR MODEL: 27
L110B-17	DRIVING BALL FOR MODEL: 17
L110B-18	DRIVING BALL FOR MODEL: 18
L111	CONNECTING ROD STUD SMALL
L112	NEEDLE BAR ACTUATING LEVER
L113	NEEDLE BAR ACTUATING LEVER BUSHING
L114	NEEDLE BAR ACTUATING LEVER ROD
L115A	NEEDLE BAR ACTUATING LEVER ROD SCREW
L116	PULLEY SCREW
L121	NEEDLE BAR BALL STUD
L122	NEEDLE BAR CONNECTING ROD
L122S	NEEDLE BAR CONNECTING ROD SCREW
L122SL	NEEDLE BAR CONNECTING ROD SCREW
L123	NEEDLE BAR CONNECTING ROD SPRING
L124	NEEDLE BAR CONNECTING ROD SPRING SCREW
L124A	NEEDLE BAR GUIDE SCREW
L144	NEEDLE BAR BALL STUD SCREW

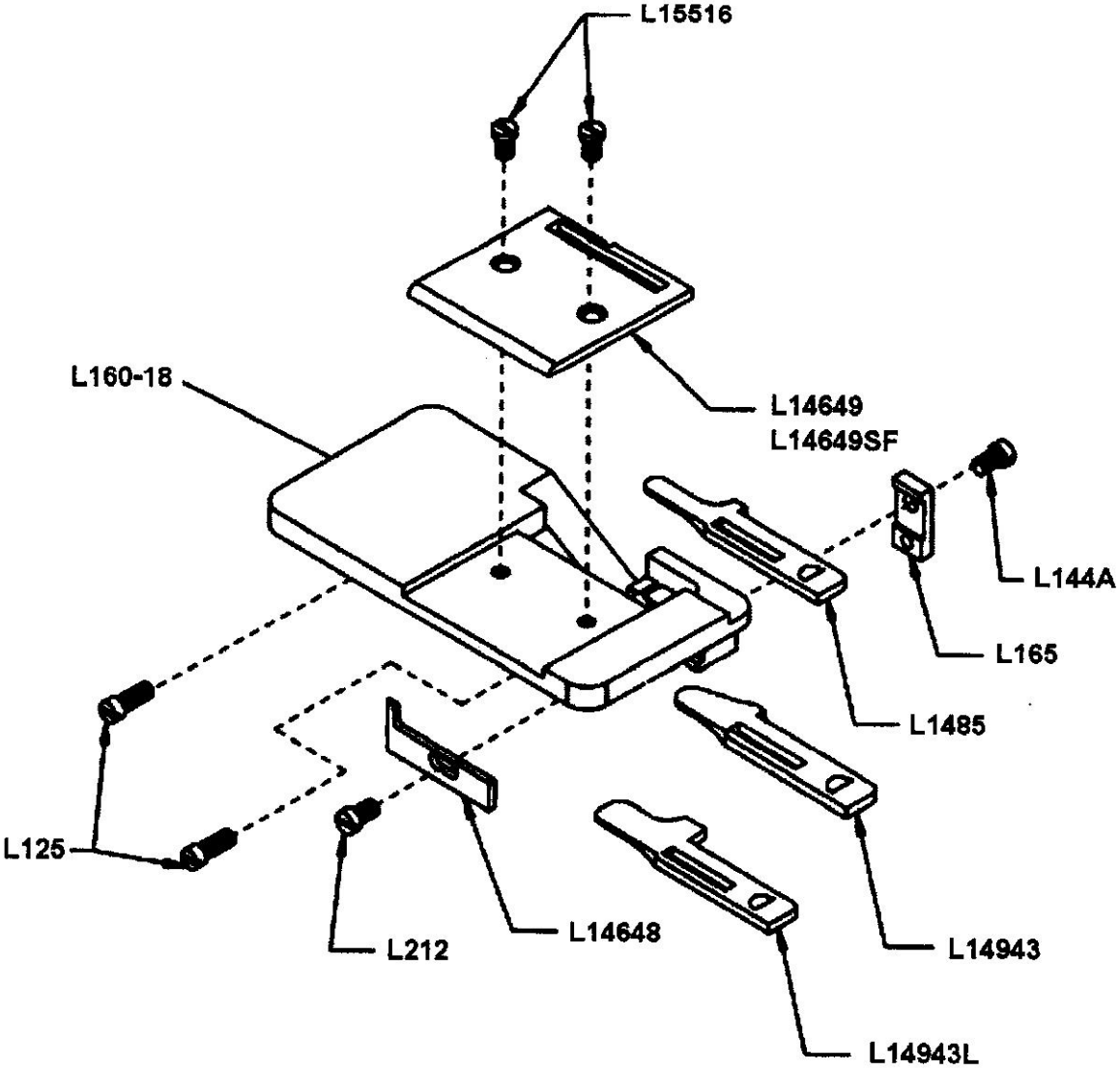
### 3. Presser Foot Mechanism



### 3. PRESSER FOOT MECHANISM

PARTS NO.	DESCRIPTION
L150	PRESSER BAR FOR MODEL: 38
L150S	PRESSER BAR FOR MODEL: 18
L152	PRESSER FOOT BRACKET
L153A	PRESSER FOOT BASE SCREW
L153B	PRESSER FOOT BRACKET SCREW
L154	PRESSER FOOT SPRING
L154L	PRESSER FOOT SPRING (STRONG / 強力)
L155-38	PRESSER FOOT COMPLETE SET FOR MODEL: 38
L155-27	PRESSER FOOT COMPLETE SET FOR MODEL: 27
L155-18	PRESSER FOOT COMPLETE SET FOR MODEL: 18
L155-17	PRESSER FOOT COMPLETE SET FOR MODEL: 17
L155A	PRESSER FOOT BASE BRACKET
L155B-38	PRESSER FOOT BASE FOR MODEL: 38
L155B-38L	PRESSER FOOT BASE FOR COVER SEAM (過骨用)
L155B-38LL	PRESSER FOOT BASE FOR THIN FABRIC (薄料用)
L155B-27	PRESSER FOOT BASE FOR MODEL: 27
L157	PRESSER FOOT LIFT BRACKET STUD SCREW
L188B	PRESSER FOOT BASE BRACKET SCREW
L294	PRESSER FOOT LIFTER LEVER
L296	PRESSER FOOT LIFTER LEVER STUD
L297	PRESSER FOOT LIFTER STOP STUD
L298	PRESSER FOOT LIFTER STOP STUD SPRING
L299	PRESSER FOOT LIFTER STOP SCREW
L300	PRESSER FOOT LIFTER STOP NUT

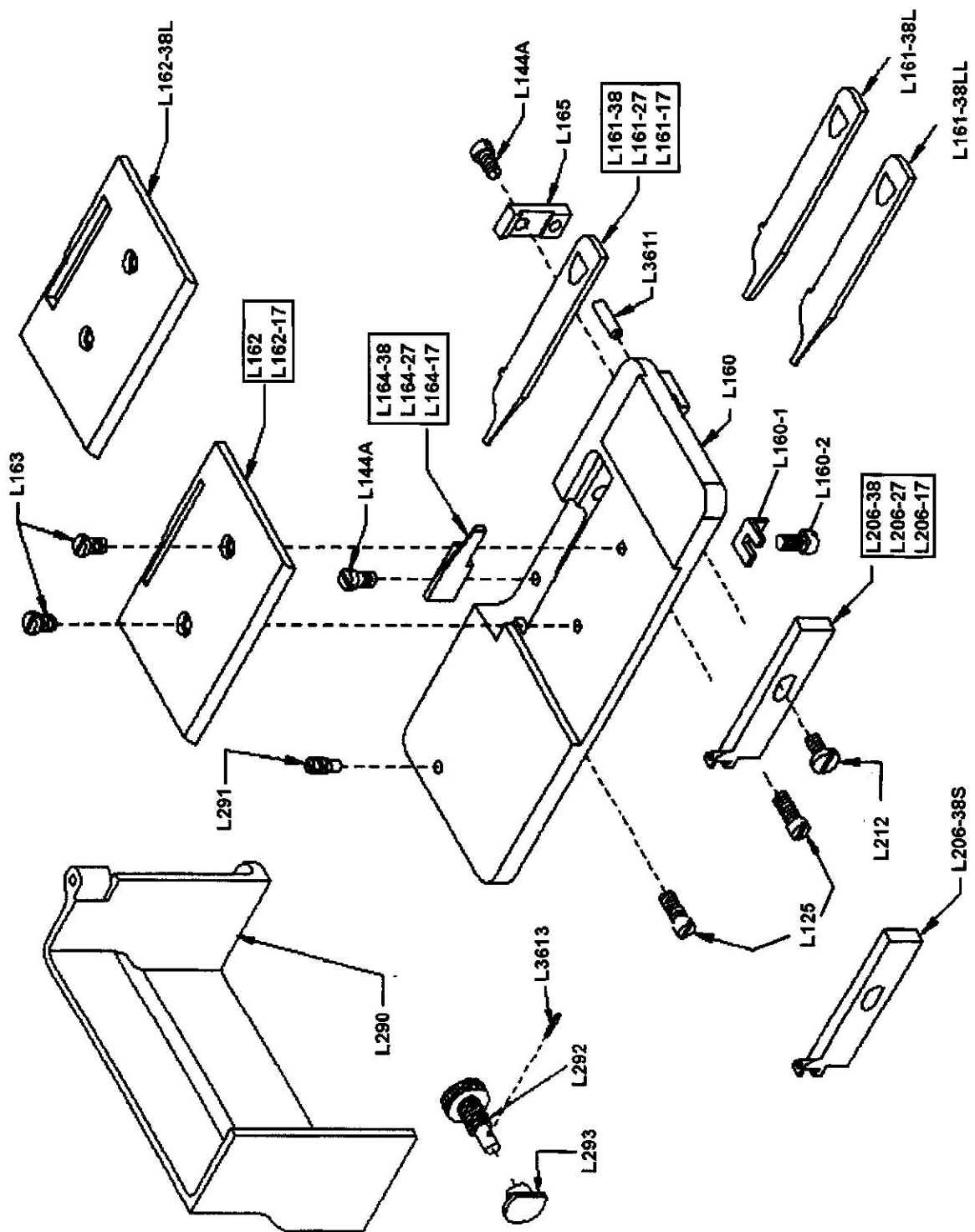
# 4-1. Needle Plate Mechanism ( I )



### 4-1. NEEDLE PLATE MECHANISM ( I )

PARTS NO.	DESCRIPTION
L125	BASE COVER SCREW
L144A	PRESSURE PLATE SCREW
L14648	NEEDLE GUIDE FOR MODEL: 18S
L14649	NEEDLE PLATE FOR MODEL: 18
L14649SF	NEEDLE PLATE FOR MODEL: 18SF / 18EF
L1485	SEAM FORMING PLATE FOR MODEL: 18E
L14943	SEAM FORMING PLATE FOR MODEL: 18S
L14943L	SEAM FORMING PLATE FOR MODEL: 18S / 18S
L15516	NEEDLE PLATE SCREW
L160-18	BASE COVER
L165	PRESSURE PLATE
L212	NEEDLE GUIDE SCREW

## 4-2. Needle Plate Mechanism (II)

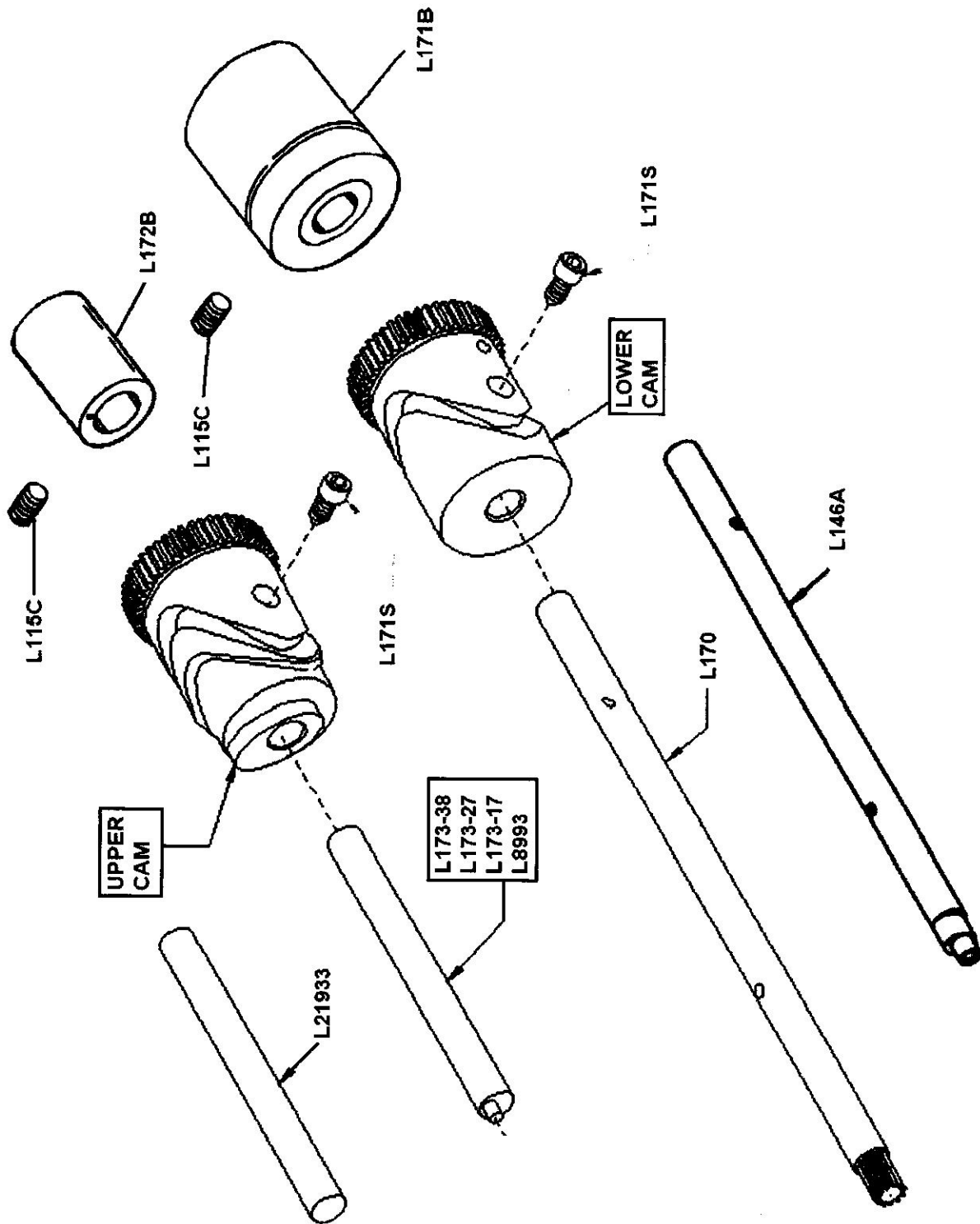


## 4-2. NEEDLE PLATE MECHANISM (II)

PARTS NO.	DESCRIPTION
L125	BASE COVER SCREW
L144A	SCREW
L160	CASE COVER
L160-1	FEED BAR BRACKET GUIDE
L160-2	FEED BAR BRACKET GUIDE SCREW
L161-17	SEAM FORMING PLATE FOR MODEL: 17
L161-27	SEAM FORMING PLATE FOR MODEL: 27
L161-38	SEAM FORMING PLATE FOR MODEL: 38
L161-38L	SEAM FORMING PLATE FOR MODEL: 38L (HEAVY PLATE / 厚板)
L161-38LL	SEAM FORMING PLATE (WIDTH PLATE / 寬板)
L162	NEEDLE PLATE FOR MODEL: 38 , MODEL: 27
L162-38L	NEEDLE PLATE FOR MODEL: 38L (WIDTH FEED ROW / 寬板狗齒用)
L162-17	NEEDLE PLATE FOR MODEL: 17
L163	NEEDLE PLATE SCREW
L164-17	THREAD GUIDE SHIM FOR MODEL: 17
L164-27	THREAD GUIDE SHIM FOR MODEL: 27
L164-38	THREAD GUIDE SHIM FOR MODEL: 38
L165	PRESSURE PLATE
L206-17	NEEDLE GUIDE FOR MODEL: 17
L206-27	NEEDLE GUIDE FOR MODEL: 27
L206-38	NEEDLE GUIDE FOR MODEL: 38
L206-38S	NEEDLE GUIDE FOR MODEL: 38 (SMALL NEEDLE / 小號針用)
L212	NEEDLE GUIDE SCREW
L290	SIDE COVER
L291	SIDE COVER SCREW
L292	SIDE STOPPER
L293	STIPPER KNOB



# 5-1. Main Shaft and Looper Mechanism ( I )



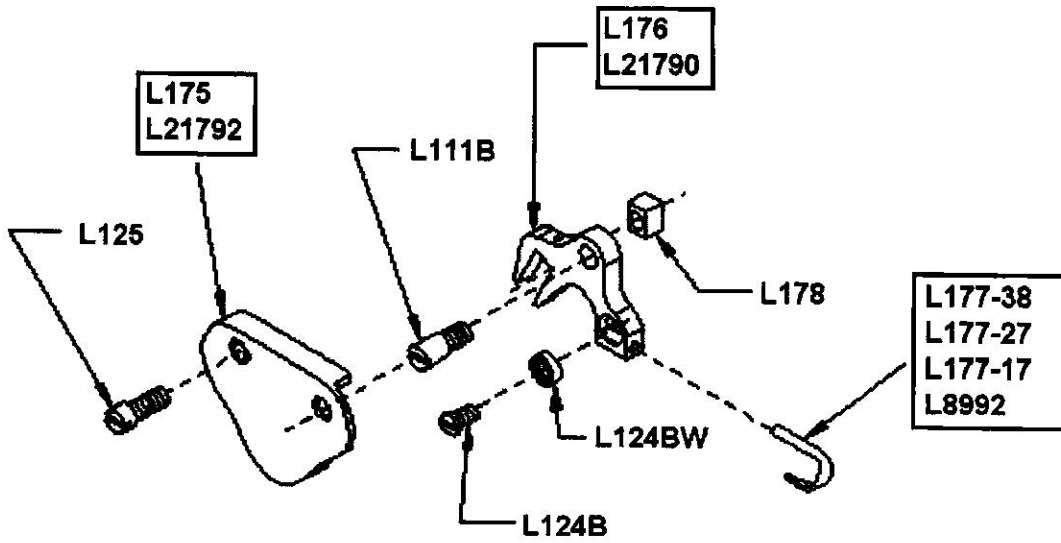
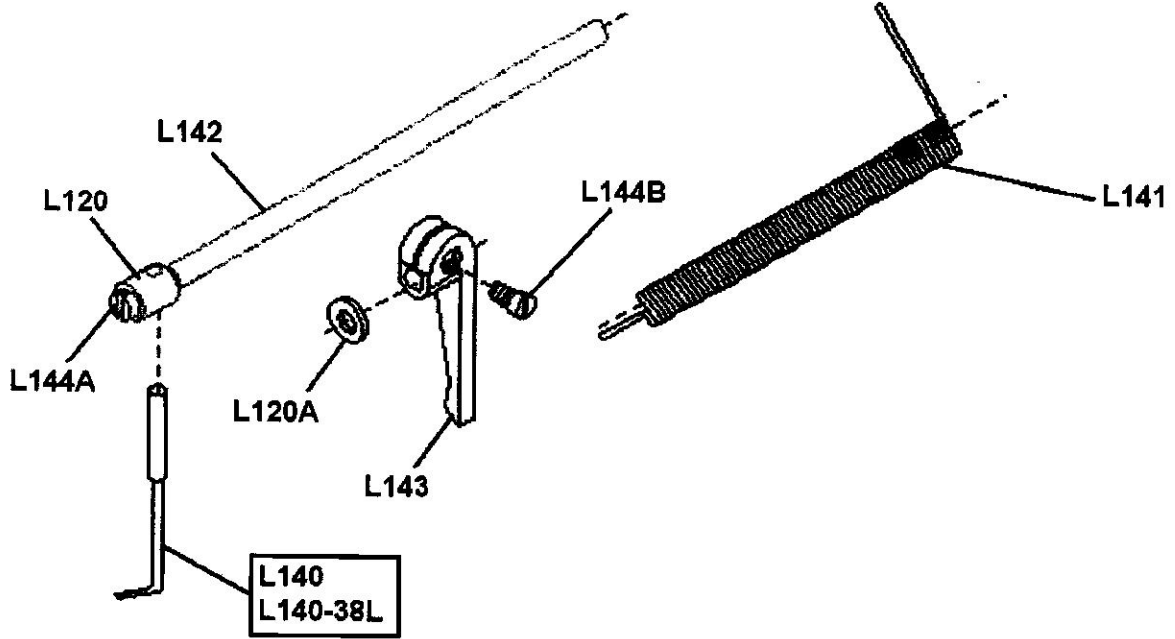
## 5-1. MAIN SHAFT AND LOOPER MECHANISM ( I )

PARTS NO.	DESCRIPTION
L115C	MAIN SHAFT BUSHING SCREW
L146A	MAIN SHAFT FOR MODEL: 18
L170	MAIN SHAFT FOR MODEL: 38
L170-27L	MAIN SHAFT FOR MODEL: 27L
L171B	MAIN SHAFT BUSHING
L171S	CAM SCREW
L172B	UPPER SHAFT BUSHING
L173-17	UPPER SHAFT FOR MODEL: 17
L173-27	UPPER SHAFT FOR MODEL: 27
L173-38	UPPER SHAFT FOR MODEL: 38
L21933	UPPER SHAFT FOR MODEL: 18

UPPER CAM	DESCRIPTION
L172-17	UPPER CAM FOR MODEL: 17
L172-27	UPPER CAM FOR MODEL: 27
L172-38	UPPER CAM FOR MODEL: 38
L172-17L	UPPER CAM FOR MODEL: 17L
L172-27L	UPPER CAM FOR MODEL: 27L
L172-38L	UPPER CAM FOR MODEL: 38L
L418A	UPPER CAM FOR MODEL: 18

LOWER CAM	DESCRIPTION
L171-17	LOWER CAM FOR MODEL: 17
L171-27	LOWER CAM FOR MODEL: 27
L171-38	LOWER CAM FOR MODEL: 38
L171-17L	LOWER CAM FOR MODEL: 17L
L171-27L	LOWER CAM FOR MODEL: 27L
L171-38L	LOWER CAM FOR MODEL: 38L
L418L	LOWER CAM FOR MODEL: 18

## 5-2. Main Shaft and Loper Mechanism (II)



## 5-2. MAIN SHAFT AND LOOPER MECHANISM (II)

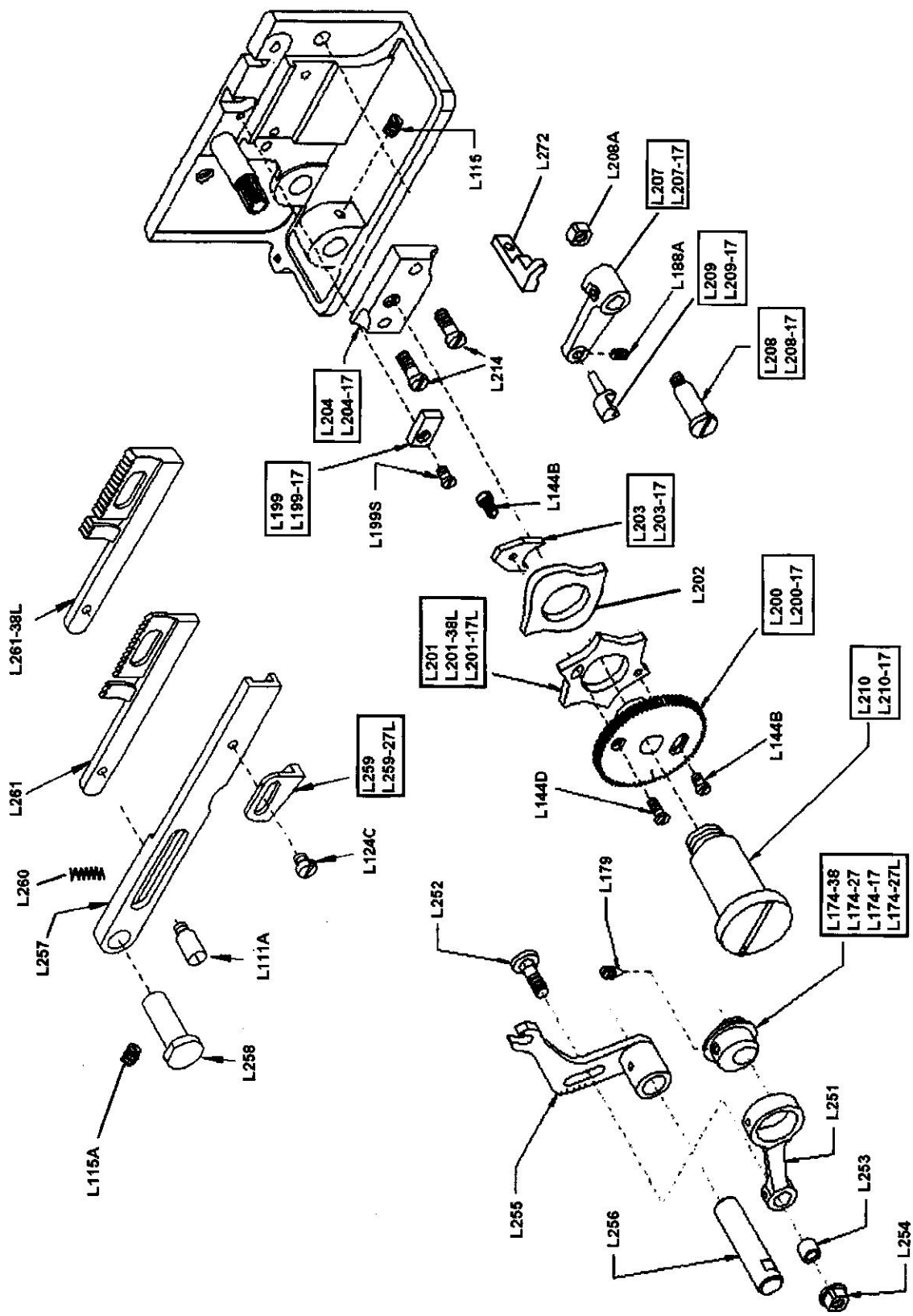
PARTS NO.	DESCRIPTION
L111B	THREAD CARRIER BRACKET SCREW
L120	LOOPER SHAFT BRACKER
L120A	LOOPER SHAFT BRACKER A
L124B	THREAD CARRIER SCREW
L124BW	THREAD CARRIER SCREW WASHER FOR MODEL: 38
L124BWS	THREAD CARRIER SCREW WASHER FOR MODEL: 18
L125	COVER PLATE SCREW
L140	LOOPER FOR MODEL: 38
L140-38L	LOOPER FOR MODEL: 38L
L141	LOOPER SHAFT SPRING
L142	LOOPER SHAFT
L143	CAM SLIDE
L144A	LOOPER SCREW
L144B	CAM SLIDE SCREW
L175	COVER PLATE FOR MODEL: 38
L176	THREAD CARRIER BRACKET FOR MODEL: 38
L177-17	THREAD CARRIER FOR MODEL: 17
L177-27	THREAD CARRIER FOR MODEL: 27
L177-38	THREAD CARRIER FOR MODEL: 38
L178	SLIDE GUIDE
L21790	THREAD CARRIER BRACKET FOR MODEL: 18
L21792	COVER PLATE FOR MODEL: 18
L8992	THREAD CARRIER FOR MODEL: 18



## 6. LATCH NEEDLE MECHANISM

PARTS NO.	DESCRIPTION
L115	FRAME CAP SCREW
L144C	GIB SCREW
L1448	LATCH NEEDLE CARRIER FOR MODEL: 18
L182	LATCH NEEDLE CARRIER FOR MODEL: 38
L183	GIB KEY
L184-17	FRAME CAP FOR MODEL: 17
L184-27	FRAME CAP FOR MODEL: 27
L184-38	FRAME CAP FOR MODEL: 38
L184-17L	FRAME CAP FOR MODEL: 17L
L184-27L	FRAME CAP FOR MODEL: 27L
L184-38L	FRAME CAP FOR MODEL: 38L
L184-18	FRAME CAP FOR MODEL: 18
L185	UPPER GIB
L186	LOWER GIB
L187	LATCH NEEDLE FOR MODEL: 38
L187-17	LATCH NEEDLE FOR MODEL: 17
L187-18	LATCH NEEDLE FOR MODEL: 18
L188	LATCH NEEDLE SCREW
L189	FRAME CAP SCREW
L190	SCREW
L190W	WASHER
L191	CAM ROLL
L192	LATCH NEEDLE CARRIER BLOCK
L270	STITCH NUMBER ADJUSTING LEVER
L271	STITCH NUMBER ADJUSTING LEVER SLIDE
L273	GUIDE ADJUSTING SLIDE
L274	RATCHET
L275	SEAM WIDTH GUIDE FOR MODEL: 38 / MODEL: 18
L275-38L	SEAM WIDTH GUIDE FOR MODEL: 38L
L276	STITCH NUMBER INDICATOR
L277	STITCH NUMBER ADJUSTING LEVER CONNECTING BAR
L278	GUIDE ADJUSTING SLIDE SCREW
L279	STITCH NUMBER ADJUSTING LEVER SCREW
L280	STITCH NUMBER ADJUSTING LEVER CONNECTING BAR SCREW
L281	STITCH NUMBER INDICATOR SCREW
L282	RATCHET SPRING
L283	RATCHET STUD

# 7-1. Feeding Mechanism ( I )

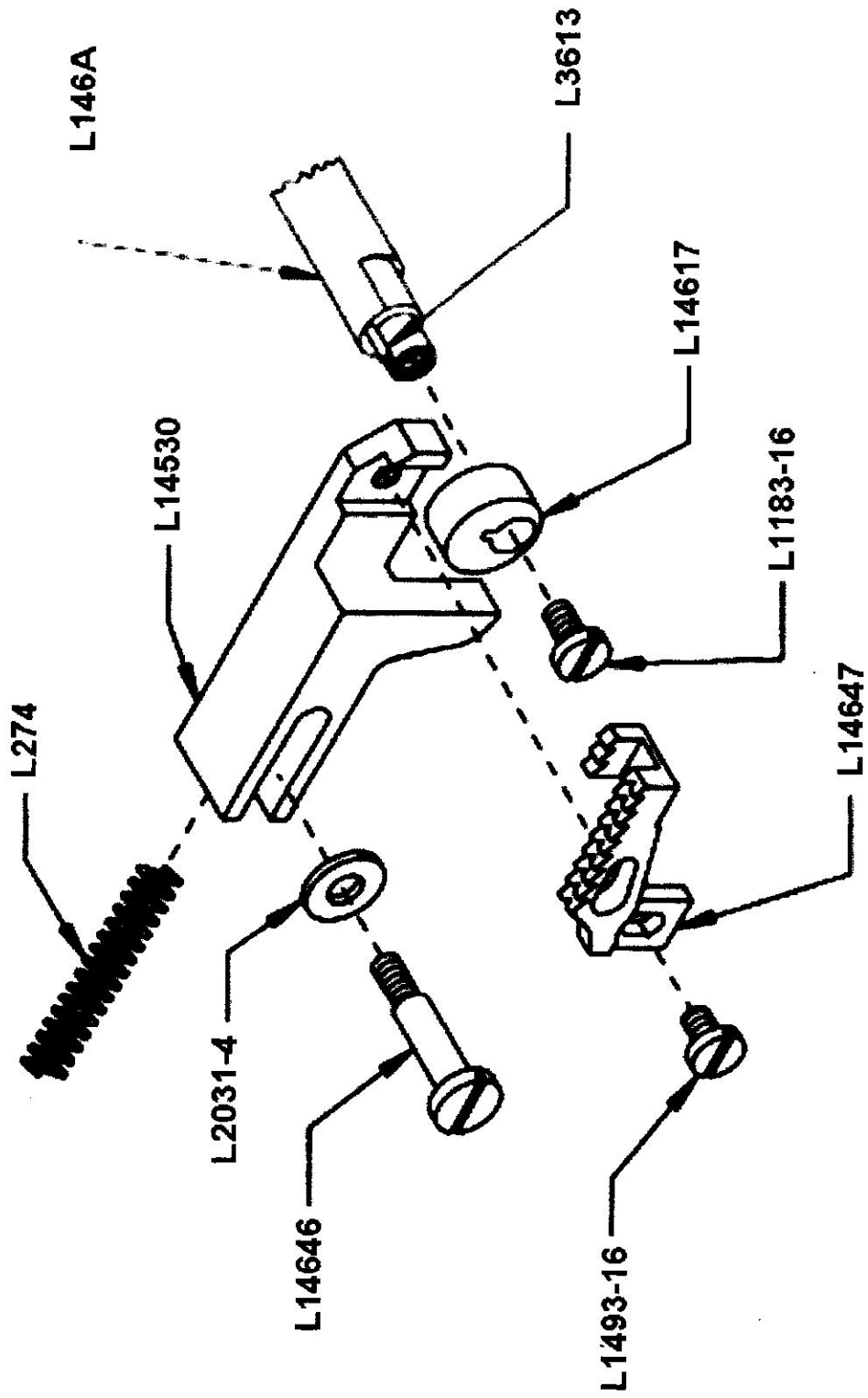


## 7-1. FEEDING MECHANISM ( I )

PARTS NO.	DESCRIPTION
L111A	FEED AND FEED BAR SCREW
L115	FEED LEVER STUD SCREW
L115A	FEED BAR BRACKET ROCKER SCREW
L124C	FEED LIFTING ADJUSTER SCREW
L144B	FEED LIFTING CAM SCREW
L144D	FEED LIFTING CAM SCREW
L174-17	FEED ECCENTRIC FOR MODEL: 17
L174-27	FEED ECCENTRIC FOR MODEL: 27
L174-27L	FEED ECCENTRIC FOR MODEL: 27L
L174-38	FEED ECCENTRIC FOR MODEL: 38
L179	FEED ECCENTRIC SCREW
L188A	FEED LIFTING LEVER SCREW
L199	FEED BAR STOPPER FOR MODEL: 38 , MODEL: 27
L199-17	FEED BAR STOPPER FOR MODEL: 17
L199S	FEED BAR STOPPER SCREW
L200	FEED LIFTING GEAR FOR MODEL: 38
L200-17	FEED LIFTING GEAR FOR MODEL: 17
L201	FEED LIFTING CAM FOR MODEL: 38 , MODEL: 27
L201-38L	FEED LIFTING CAM FOR MODEL: 38L
L201-17	FEED LIFTING CAM FOR MODEL: 17
L202	FEED LIFTING CAM FOR MODEL: 38 , MODEL: 27
L203	FEED LIFTING CAM FOR MODEL: 38 , MODEL: 27
L203-17	FEED LIFTING CAM FOR MODEL: 17
L204	FEED LIFTING GEAR BRACKET FOR MODEL: 38 , MODEL: 27
L204-17	FEED LIFTING GEAR BRACKET FOR MODEL: 17
L207	FEED LIFTING LEVER FOR MODEL: 38 , MODEL: 27
L207-17	FEED LIFTING LEVER FOR MODEL: 17
L208	FEED LIFTING LEVER ROCKER SCREW FOR MODEL: 38 , MODEL: 27
L208-17	FEED LIFTING LEVER ROCKER SCREW FOR MODEL: 17
L208A	FEED LIFTING LEVER ROCKER SCREW NUT
L209	FEED LIFTING CAM GUIDE FOR MODEL: 38
L209-17	FEED LIFTING CAM GUIDE FOR MODEL: 17
L210	FEED LIFTING GEAR ROCKER SCREW FOR MODEL: 38
L210-17	FEED LIFTING GEAR ROCKER SCREW FOR MODEL: 17
L214	FEED LIFTING GEAR BRACKET SET SCREW
L251	FEED CONNECTING ROD
L252	STITCH ADJUSTING STUD
L253	FEED ROLLER
L254	STITCH ADJUSTING STUD NUT
L255	FEED LEVER
L256	FEED LEVER STUD
L257	FEED BAR BRACKET
L258	FEED BAR BRACKET ROCKER SCREW
L259	FEED LIFTING ADJUSTER
L259-27L	FEED LIFTING ADJUSTER FOR MODEL: 27L
L260	FEED BAR BRACKET PRESSING SPRING
L261	FEED DOG
L261-38L	FEED DOG (WIDTH ROW / 寬板)
L272	FEED LIFTING LEVER CONNECTING SLIDE



## 7-2. Feeding Mechanism (II)



## 7-2. FEEDING MECHANISM (II)

PARTS NO.	DESCRIPTION
L1183-16	SCREW
L14530	FEED DOG BAR
L146A	MAIN SHAFT
L14617	FEED ECCENTRIC
L14617-4	FEED ECCENTRIC NO.4
L14617-5	FEED ECCENTRIC NO.5
L14617-6	FEED ECCENTRIC NO.6
L14617-8	FEED ECCENTRIC NO.8
L14617-10	FEED ECCENTRIC NO.10
L14646	FEED BAR ROCKER SCREW
L14647	FEED DOG
L1493-16	SCREW
L2031-4	WASHER
L274	SPRING
L3613	PIN

INDEX

PARTS NO.	REF.	PARTS NO.	REF.	PARTS NO.	REF.	PARTS NO.	REF.
L-17M	1	L120A	5-2	L14617-4	7-2	L160-2	4-2
L-18M	1	L121	2	L14617-5	7-2	L161-17	4-2
L-27M	1	L122	2	L14617-6	7-2	L161-27	4-2
L-38M	1	L122S	2	L14617-8	7-2	L161-38	4-2
L101	2	L122SL	2	L14617-10	7-2	L161-38L	4-2
L102A	1	L123	2	L14646	7-2	L161-38LL	4-2
L102B	1	L124	2	L14647	7-2	L162	4-2
L102C	2	L124A	2	L14648	4-1	L162-17	4-2
L102D	1	L124B	5-2	L14649	4-1	L162-38L	4-2
L102E	1	L124C	7-1	L14649SF	4-1	L163	4-2
L102F	1	L124BW	5-2	L146A	7-2	L164-17	4-2
L103	2	L124BWS	5-2	L1476	1	L164-27	4-2
L104	2	L125	4-1	L1485	4-1	L164-38	4-2
L105L	1	L125	4-2	L1493-16	7-2	L165	4-1
L105U	1	L125	5-2	L14943	4-1	L165	4-2
L106	2	L130A	1	L14943L	4-1	L166	1
L107	2	L130B	1	L150	3	L166F	1
L108	2	L131	1	L150S	3	L166FS	1
L109	2	L131B	1	L151	1	L170	5-1
L109-17	2	L132	1	L152	3	L170-27L	5-1
L10S	2	L132B	1	L153	1	L171-17	5-1
L110	2	L133	1	L153A	3	L171-17L	5-1
L110B-17	2	L140	5-2	L153B	3	L171-27	5-1
L110B-18	2	L140-38L	5-2	L154	3	L171-27L	5-1
L110B-27	2	L141	5-2	L154L	3	L171-38	5-1
L110B-38	2	L142	5-2	L15516	4-1	L171-38L	5-1
L111	2	L143	5-2	L155-17	3	L171B	5-1
L111A	7-1	L144	2	L155-18	3	L171S	5-1
L111B	5-2	L1448	6	L155-27	3	L172-17	5-1
L112	2	L144A	4-1	L155-38	3	L172-17L	5-1
L113	2	L144A	4-2	L155A	3	L172-27	5-1
L114	2	L144A	5-2	L155B-27	3	L172-27L	5-1
L115	6	L144B	5-2	L155B-38	3	L172-38	5-1
L115	7-1	L144B	7-1	L155B-38L	3	L172-38L	5-1
L115A	2	L144C	6	L155B-38LL	3	L172B	5-1
L115A	7-1	L144D	7-1	L157	1	L173-17	5-1
L115C	5-1	L14530	7-2	L157	3	L173-27	5-1
L116	2	L146A	7-2	L160	4-2	L173-38	5-1
L1183-16	7-2	L146A	5-1	L160-1	4-2	L174-17	7-1
L120	5-2	L14617	7-2	L160-18	4-1	L174-27	7-1

INDEX

PARTS NO.	REF.	PARTS NO.	REF.	PARTS NO.	REF.
L174-27L	7-1	L201	7-1	L261-38L	7-1
L174-38	7-1	L201-17	7-1	L270	6
L175	5-2	L201-38L	7-1	L271	6
L176	5-2	L202	7-1	L272	7-1
L177-17	5-2	L203	7-1	L273	6
L177-27	5-2	L2031-4	7-2	L274	6
L177-38	5-2	L203-17	7-1	L274	7-2
L178	5-2	L204	7-1	L275	6
L179	7-1	L204-17	7-1	L275-38L	6
L181	1	L206-17	4-2	L276	6
L181-18	1	L206-27	4-2	L277	6
L182	6	L206-38	4-2	L278	6
L183	6	L206-38S	4-2	L279	6
L184-17	6	L207	7-1	L280	6
L184-17L	6	L207-17	7-1	L281	6
L184-18	6	L208	7-1	L282	6
L184-27	6	L208-17	7-1	L283	6
L184-27L	6	L208A	7-1	L290	4-2
L184-38	6	L209	7-1	L291	4-2
L184-38L	6	L209-17	7-1	L292	4-2
L185	6	L210	7-1	L293	4-2
L186	6	L210-17	7-1	L294	3
L187	6	L212	4-1	L296	3
L187-17	6	L212	4-2	L297	3
L187-18	6	L214	7-1	L298	3
L188	6	L21790	5-2	L299	3
L188A	7-1	L21792	5-2	L300	3
L188B	3	L21933	5-1	L3613	4-2
L189	6	L251	7-1	L418A	5-1
L190	1	L252	7-1	L418L	5-1
L190	6	L253	7-1	L8992	5-2
L190W	1	L254	7-1		
L190W	6	L255	7-1		
L191	6	L256	7-1		
L192	6	L257	7-1		
L199	7-1	L258	7-1		
L199-17	7-1	L259	7-1		
L199S	7-1	L259-27L	7-1		
L200	7-1	L260	7-1		
L200-17	7-1	L261	7-1		