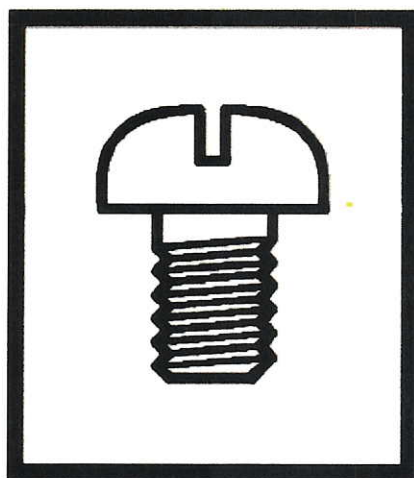


GLOBAL

WF 1576-LH

Double needle, cylinder bed, compound feed sewing machine with horizontal large hook



PARTS BOOK

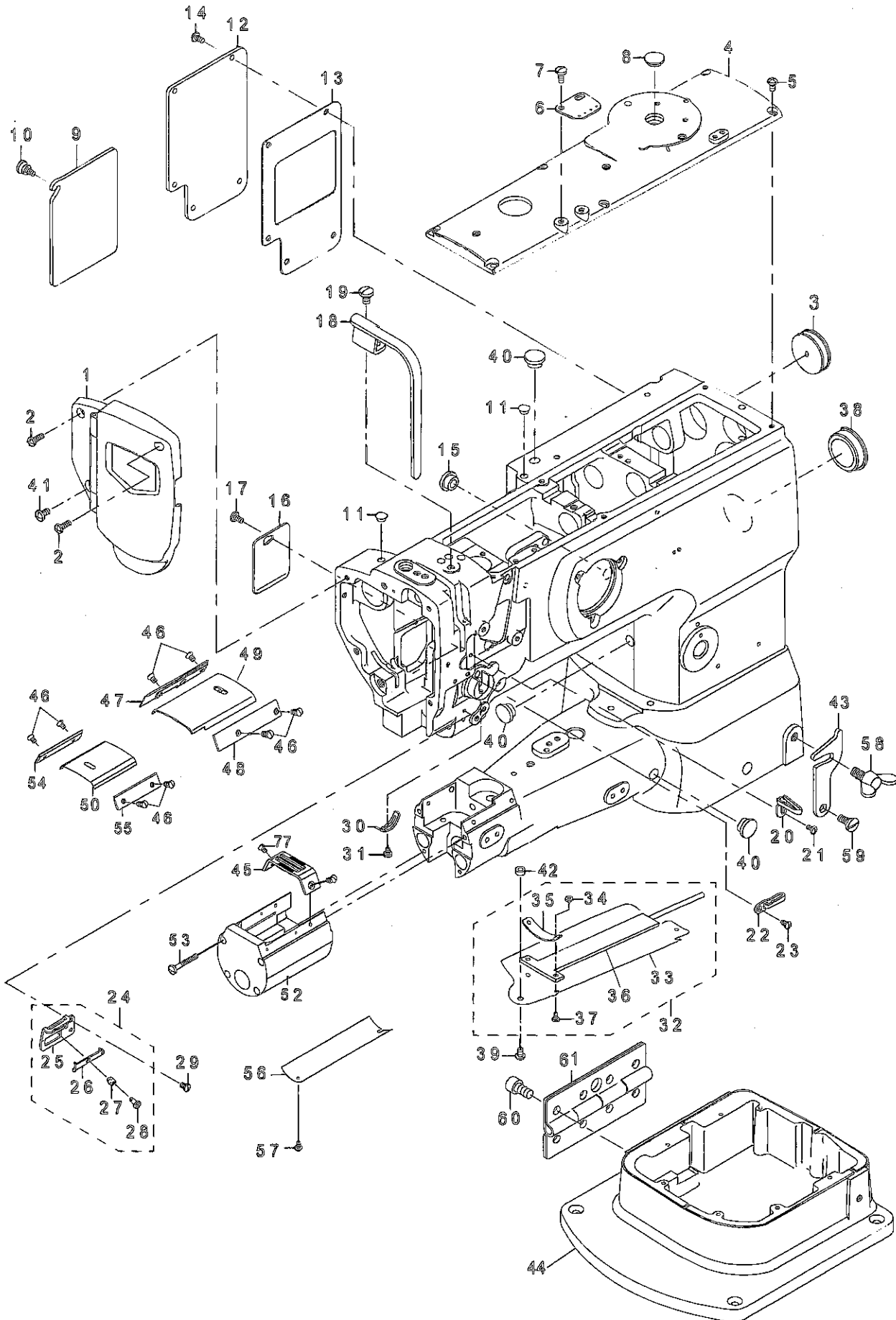


CONTENTS

PARTS BOOK

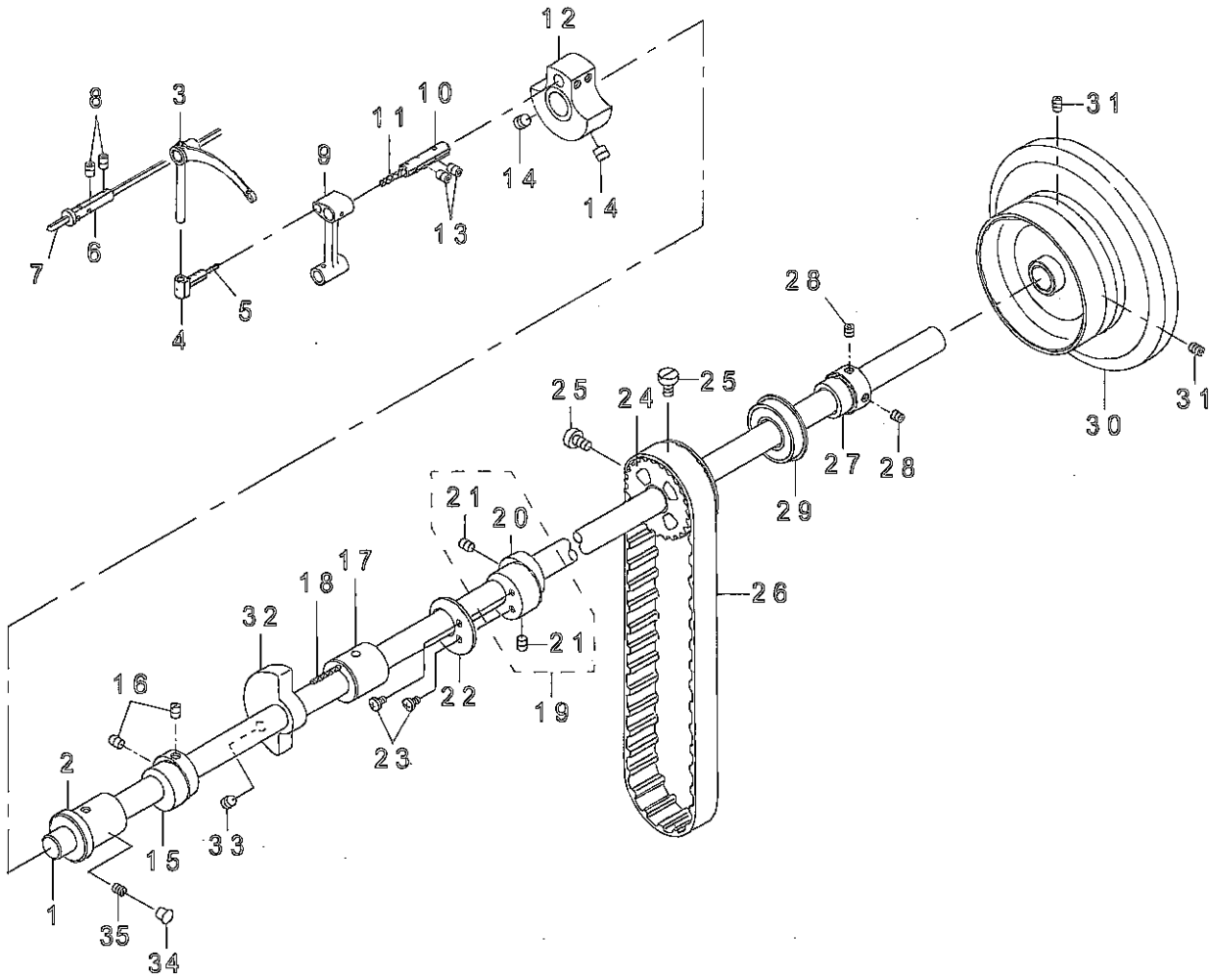
| | | |
|-----|--|----|
| 1. | FRAME & MISCELLANEOUS COVER COMPONENTS | 1 |
| 2. | UPPER SHAFT DRIVING & BALANCE COMPONENTS | 3 |
| 3. | NEEDLE BAR ROCKING COMPONENTS | 5 |
| 4. | UPPER FEED MECHANISM COMPONENTS | 7 |
| 5. | FEED MECHANISM COMPONENTS | 11 |
| 6. | HOOK SHAFT & LOWER SHAFT COMPONENTS | 15 |
| 7. | Thread tension components | 17 |
| 8. | KNEE LIFTING COMPONENTS | 18 |
| 9. | LUBRICATION COMPONENTS | 19 |
| 10. | BELT COVER | 20 |
| 11. | LOWER THREAD WINDER MECHANISM COMPONENTS | 21 |
| 12. | ACCESSORIES PARTS | 22 |
| 13. | Thread stand components | 23 |

1. FRAME & MISCELLANEOUS COVER COMPONENTS



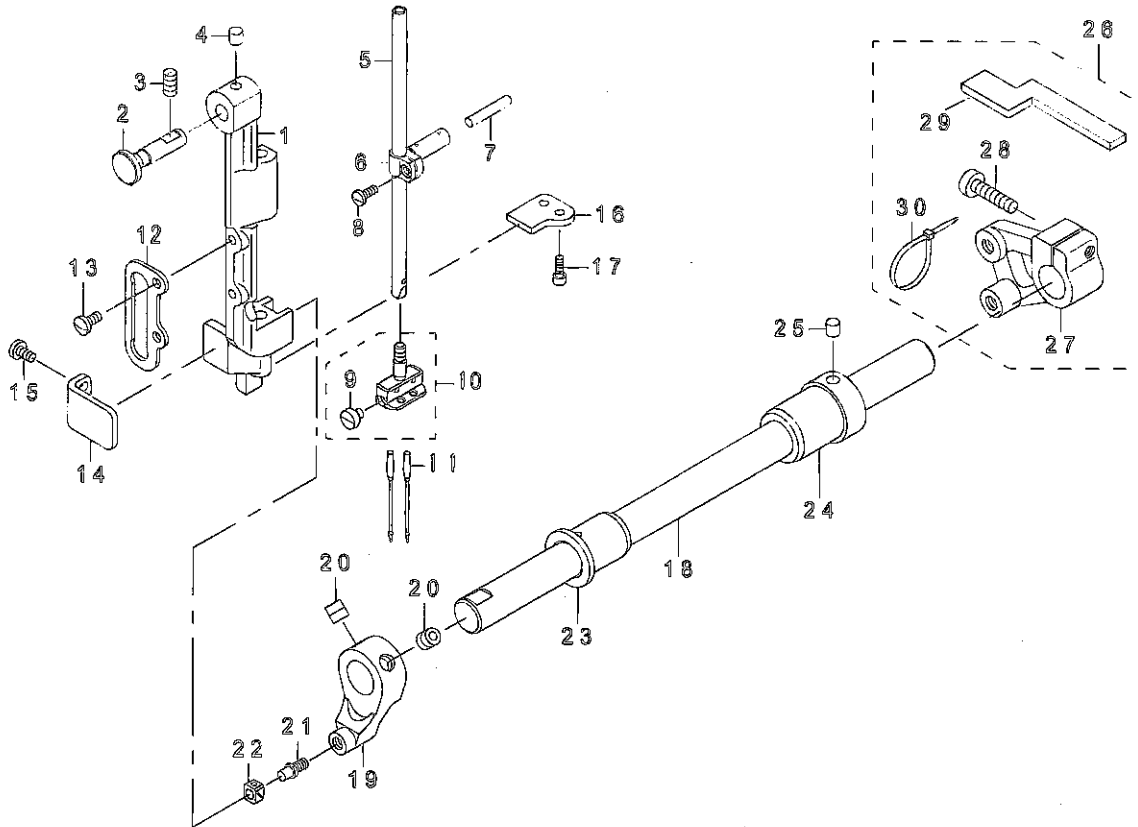
| SERIAL NO | DESCRIPTION | PARTS NO | PARTS | QUANTITY |
|-----------|-------------|-------------|--------------------------------|----------|
| 1 | | 40016798 | FACE PLATE ASM. | 1 |
| 2 | | SS4111215SP | SCREW 11/64-40 L=12 | 2 |
| 3 | | 10201200 | RUBBER PLUG | 1 |
| 4 | | 21331301 | TOP COVER B | 1 |
| 5 | | SS4110815SP | SCREW 11/64-40 L=8 | 6 |
| 6 | | 21355904 | ARM THREAD GUIDE | 1 |
| 7 | | SS7621040SP | SCREW 3/16-32 L= 9.5 | 2 |
| 8 | | TA1450404R0 | RUBBER PLUG D=14.5 L=4 | 1 |
| 9 | | 21331756 | WINDOW PLATE A ASM. | 1 |
| 10 | | 21331202 | SETSCREW | 1 |
| 11 | | TA0750404R0 | PLUG D=7.5 L=3.5 | 2 |
| 12 | | 21331806 | WINDOW PLATE B | 1 |
| 13 | | 21332002 | WINDOW PLATE PACKING B | 1 |
| 14 | | SS4110815SP | SCREW 11/64-40 L=8 | 5 |
| 15 | | TA1250504R0 | RUBBER PLUG | 2 |
| 16 | | 21332309 | SIDE COVER | 1 |
| 17 | | SS4110815SP | SCREW 11/64-40 L=8 | 1 |
| 18 | | 21331608 | BALANCE COVER | 1 |
| 19 | | SS7150910TP | SCREW 15/64-28 L=9 | 1 |
| 20 | | 21355805 | THREAD GUIDE | 1 |
| 21 | | SS5090610SP | SCREW 9/64-40 L=6 | 1 |
| 22 | | 22603112 | THREAD GUIDE | 1 |
| 23 | | SS2090710TP | SCREW 9/64-40 L=7.2 | 1 |
| 24 | | 40039838 | THREAD GUIDE ASM. | 1 |
| 25 | | 40039839 | THREAD GUIDE PLATE | -1 |
| 26 | | 17912106 | NEEDLE THREAD PRESSER PLATE | 1 |
| 27 | | B1132521000 | THREAD PRESSER PLATE SPRING | -1 |
| 28 | | SD0380551SL | HINGE SCREW D= 3.80 H= 5.5 | 1 |
| 29 | | SS2090710TP | SCREW 9/64-40 L=7.2 | 1 |
| 30 | | B3138512000 | TAKE-UP SPRING ADJUSTING PLATE | 1 |
| 31 | | SS7090520TP | SCREW 9/64-40 L= 4.5 | 1 |
| 32 | | 21426754 | SYLINDER COVER ASM. | 1 |
| 33 | | 21426705 | SYLINDER COVER | -1 |
| 34 | | NM6030003SC | NUT M3 | -2 |
| 35 | | 21426903 | FELT PRESSER PLATE | 1 |
| 36 | | 21426853 | SYLINDER COVER FELT ASM. | -1 |
| 37 | | SM4030601SC | SCREW M3 X 6 | 2 |
| 38 | | 22619100 | CAP | 1 |
| 39 | | SS5110710SP | SCREW 11/64-40 L=7 | 1 |
| 40 | | TA1250504R0 | RUBBER PLUG | 3 |
| 41 | | SS4150915SP | SCREW 15/64-28 L=9 | 1 |
| 42 | | B3013141HOB | WASHER | 1 |
| 43 | | B1117246000 | HOOK | 1 |
| 44 | | 21426309 | BED HOLDING BASE | 1 |
| 45 | | 1360E08D | THOAT PLATE | 1 |
| 46 | | SS2090520SL | SCREW 9/64-40 L=5 | 4 |
| 47 | | 1360E08G | BED SLIDE SIDE PLATE LEFT | 1 |
| 48 | | 1360E08F | BED SLIDE SIDE PLATE RIGHT | 1 |
| 49 | | 040176 | BED PLATE | 1 |
| 50 | | 040181 | BED PLATE | 1 |
| 51 | | 040177 | SCREW 11/64-40 L=6 | 2 |
| 52 | | 040183 | Extension block | 1 |
| 53 | | SS7113110SP | SCREW 1/64-40 L=30 | 2 |
| 54 | | 1360E08K | BED SLIDE SIDE PLATE LEFT | 1 |
| 55 | | 1360E08I | BED SLIDE SIDE PLATE RIGHT | 1 |
| 56 | | 040184 | PLATE BASE COVER | 1 |
| 57 | | LS4C6 | SCREW M4 L=6 | 1 |
| 58 | | B1116246000 | WING BOLT | 1 |
| 59 | | SD0800352SP | HINGE SCREW D= 8 H= 3.5 | 1 |
| 60 | | SM6081552TP | SCREW M8 L=15 | 8 |
| 61 | | 21426507 | HINGE | 1 |

2. UPPER SHAFT DRIVING & BALANCE COMPONENTS



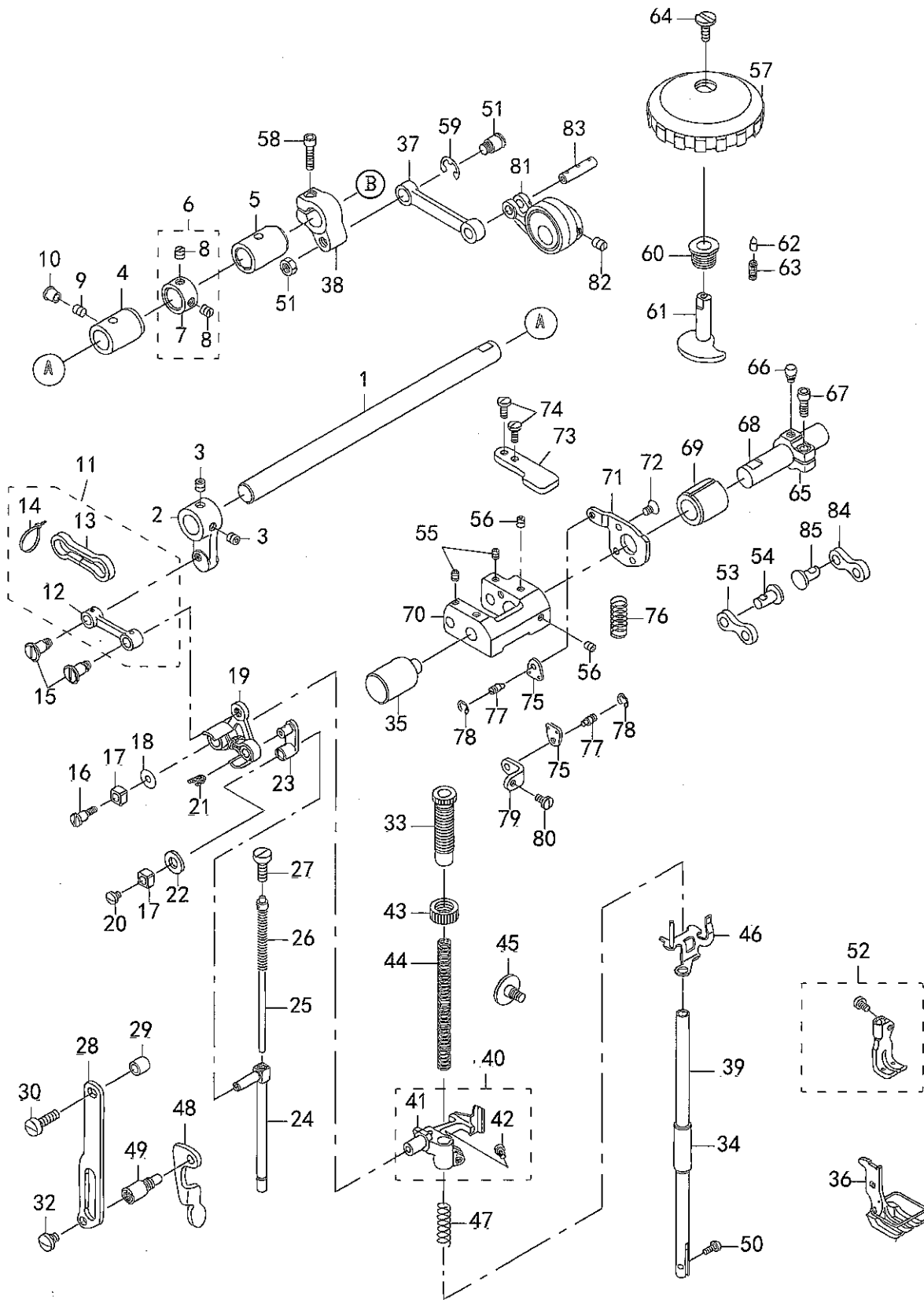
| SERIAL NO | DESCRIPTION | PARTS NO | PARTS | QUANTITY |
|-----------|-------------|-------------|---------------------------|----------|
| 1 | | 21332705 | UPPER SHAFT | 1 |
| 2 | | 21333000 | UPPER SHAFT FRONT METAL | 1 |
| 3 | | 21402102 | THREAD TAKE-UP LEVER | 1 |
| 4 | | 22605406 | TAKE-UP LEVER THRUST PIN | 1 |
| 5 | | CQ202000000 | OIL WICK | 3 |
| 6 | | B1906051000 | TAKE-UP LEVER PIN | 1 |
| 7 | | CQ303000000 | OIL WICK | 2 |
| 8 | | SS8150822TP | SCREW 15/64-28 L=8 | 2 |
| 9 | | 21339106 | NEEDLE BAR CRANK ROD | 1 |
| 10 | | B1210051000 | NEEDLE BAR CRANK PIN | 1 |
| 11 | | CQ505000000 | OIL WICK | 3 |
| 12 | | 21332507 | COUNTER WEIGHT (A) (36MM) | 1 |
| 13 | | SS8150822TP | SCREW 15/64-28 L=8 | 2 |
| 14 | | SM8080812TP | SCREW M8X8 | 2 |
| 15 | | 21339502 | UPPER FEED CAM (3.5) | 1 |
| 16 | | SS8660810TP | SCREW 1/4-40 L=8 | 2 |
| 17 | | 21333109 | UPPER SHAFT INNER METAL | 1 |
| 18 | | CQ202000000 | OIL WICK | 5 |
| 19 | | 21336557 | ECCENTRIC CAM A ASM. | 1 |
| 20 | | 21336508 | ECCENTRIC CAM A | -1 |
| 21 | | SS8660810TP | SCREW 1/4-40 L=8 | 2 |
| 22 | | 21353008 | HORIZONTAL FEED CAM COVER | 1 |
| 23 | | SS7110710SP | SCREW 11/64-40 L=7 | 2 |
| 24 | | 22604904 | UPPER SPROCKET | 1 |
| 25 | | SS6661110SP | SCREW 1/4-40 L=11 | 2 |
| 26 | | 21427109 | TIMING BELT | 1 |
| 27 | | 21402300 | UPPER SHAFT BEARING HOOK | 1 |
| 28 | | SM8060602TP | SCREW M6X6 | 2 |
| 29 | | B1203512000 | BUSHING REAR | 1 |
| 30 | | 21334008 | FLYWHEEL | 1 |
| 31 | | SS8150822TP | SCREW 15/64-28 L=8 | 2 |
| 32 | | 21333406 | BALANCER | 1 |
| 33 | | SS8151550SP | SCREW 15/64-28 L=15 | 2 |
| 34 | | TA0750704R0 | RUBBER PLUG | 1 |
| 35 | | SS8150710TP | SCREW 15/64-28 L=7 | 1 |

3. NEEDLE BAR ROCKING COMPONENTS



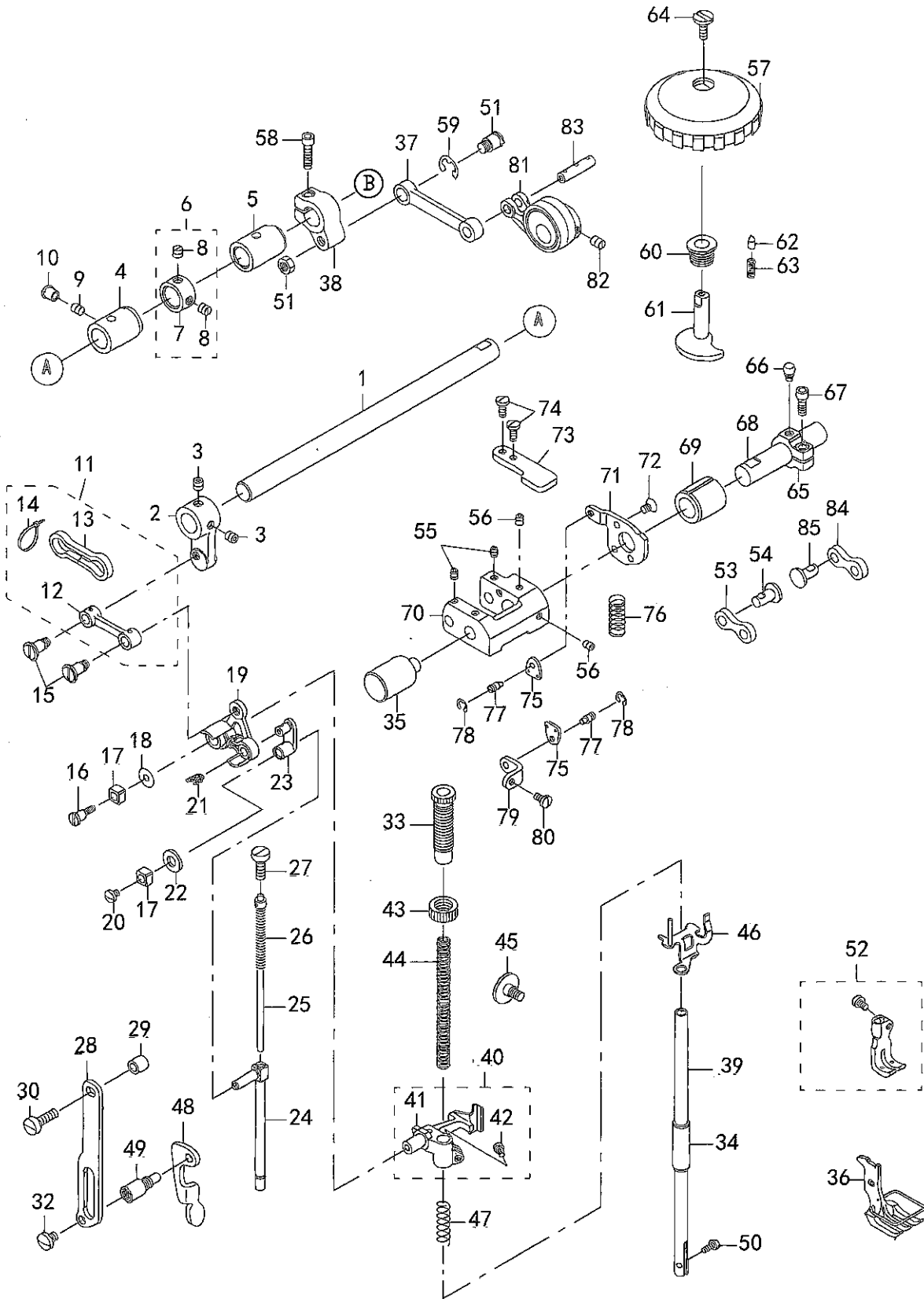
| SERIAL NO | DESCRIPTION | PARTS NO | PARTS | QUANTITY |
|-----------|-------------|-------------|---------------------------|----------|
| 1 | | B1420563000 | NEEDLE BAR FRAME | 1 |
| 2 | | 21405204 | HINGE STUD | 1 |
| 3 | | SS8151150TP | SCREW 15/64-28 L=10.5 | 1 |
| 4 | | 22814909 | FELT | 1 |
| 5 | | 1401518000 | NEEDLE BAR | 1 |
| 6 | | B1411053000 | NEEDLE BAR CONNECTION | 1 |
| 7 | | B1412051000 | FELT | 1 |
| 8 | | SS7090910SP | SCREW 9/64-40 L= 8.5 | 1 |
| 9 | | SS6090410TP | SCREW 9/64-40 L= 3.5 | 2 |
| 10 | | 44E08C | NEEDLE CLAMP 5/16 ASM | 1 |
| 11 | | M13517B1600 | NEEDLE 135X17 #160 | 2 |
| 12 | | B1467563000 | UPPER FEED BAR GUIDE | 1 |
| 13 | | SS7110910TP | SCREW 11/64-40 L= 8.5 | 2 |
| 14 | | 21338702 | ROCKING BASE GUIDE | 1 |
| 15 | | SS7110830SP | SCREW 11/64-40 L= 7.5 | 2 |
| 16 | | 21338603 | ROCKING BASE GUIDE (B) | 1 |
| 17 | | SS6091022TP | SCREW | 2 |
| 18 | | 21338900 | ROCKING SHAFT | 1 |
| 19 | | 21338801 | ROCKING FRONT ARM | 1 |
| 20 | | SM8080802TP | SCREW | 2 |
| 21 | | B1410771000 | STUD | 1 |
| 22 | | B1414232000 | SQUARE BLOCK | 1 |
| 23 | | 21339304 | ROCKING SHAFT FRONT METAL | 1 |
| 24 | | 40027746 | BUSHING REAR | 1 |
| 25 | | 22814909 | FELT | 1 |
| 26 | | 21430053 | ROCKING REAR ARM ASM. | 1 |
| 27 | | 21430004 | ROCKING REAR ARM | 1 |
| 28 | | SS6152440SP | SCREW 15/64-28 L=23.5 | 1 |
| 29 | | 21430103 | ROCKING REAR ARM FELT | 1 |
| 30 | | EA9500B0100 | CABLE BAND | 2 |

4. UPPER FEED MECHANISM COMPONENTS



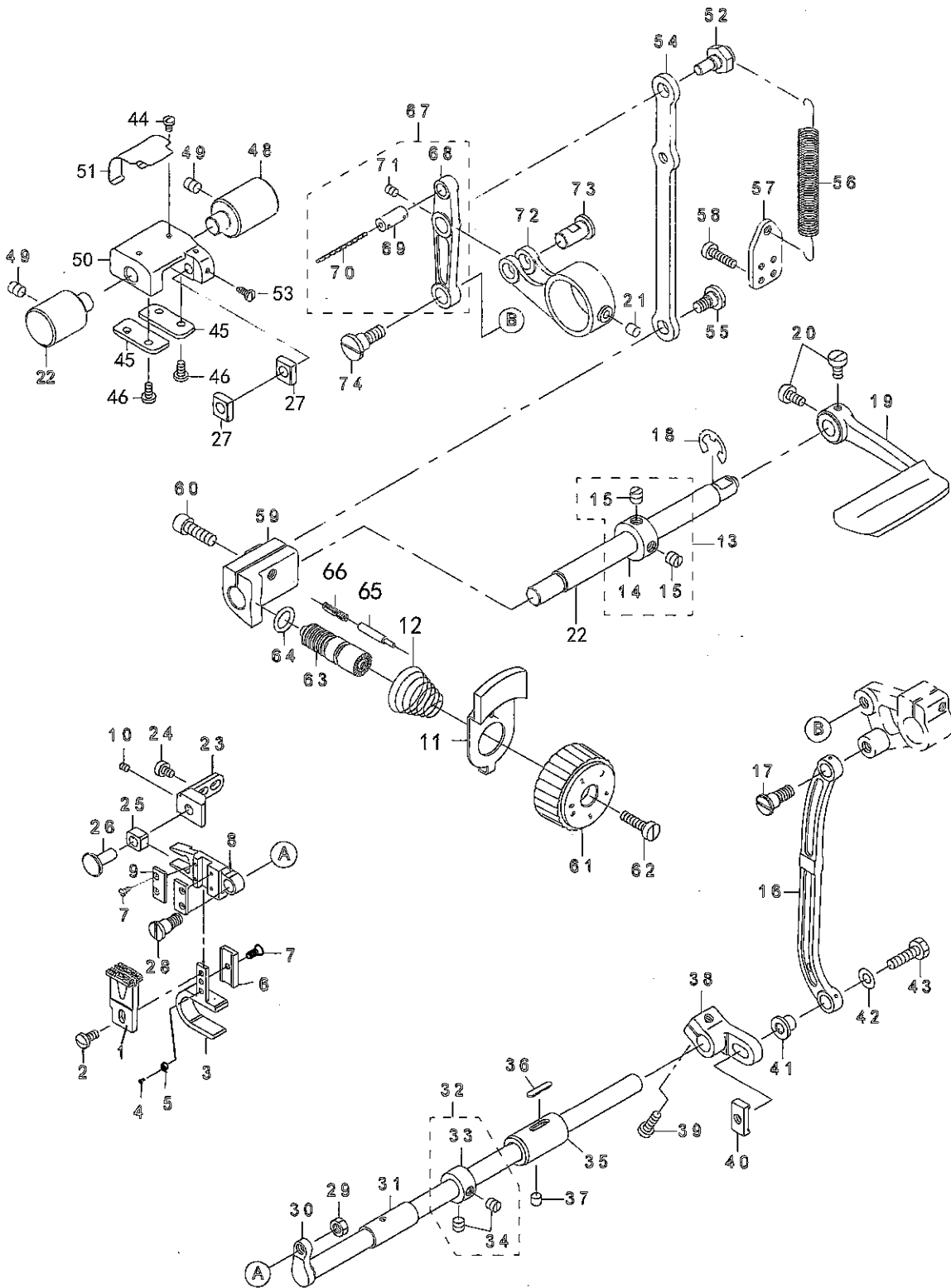
| SERIAL NO | DESCRIPTION | PARTS NO | PARTS | QUANTITY |
|-----------|-------------|-------------|-------------------------------|----------|
| 1 | | 21340401 | UPPER FEED SHAFT | 1 |
| 2 | | 21340500 | UPPER FEED FRONT ARM | 1 |
| 3 | | SS8660612TP | SCREW 1/4-40 L=6 | 2 |
| 4 | | 21341904 | FRONT METAL | 1 |
| 5 | | 21378302 | FEED SHAFT METAL | 1 |
| 6 | | 22904155 | MAIN SHAFT THRUST COLLAR ASM. | 1 |
| 7 | | 22904106 | MAIN SHAFT THRUST COLLAR | -1 |
| 8 | | SS8660610TP | SCREW 1/4-40 L=6 | 2 |
| 9 | | SS8150710SP | SCREW 15/64-28 L=7 | 1 |
| 10 | | TA0550604R0 | RUBBER PLUG | 1 |
| 11 | | 40033027 | UPPER FEED LINK ASM. | 1 |
| 12 | | 40033026 | UPPER FEED LINK | -1 |
| 13 | | 21347109 | FELT | -1 |
| 14 | | EA9500B0000 | CLIP CV-70S | -2 |
| 15 | | B3016141H00 | SCREW | 2 |
| 16 | | 40018339 | SCREW | 1 |
| 17 | | B1414555000 | SLIDE BLOCK | 1 |
| 18 | | WP0501046SC | WASHER4*13*1 | 1 |
| 19 | | 40033029 | TRIANGULAR LEVER ASM. | 1 |
| 20 | | SS7110510SP | SCREW 11/64-40 L=5 | 1 |
| 21 | | B1414555000 | SLIDE BLOCK | 1 |
| 22 | | RE0800000K0 | E-SHAPED SNAP RING (8MM) | 1 |
| 23 | | 40018341 | WALKING BAR DRIVING LINK | 1 |
| 24 | | 40033030 | WALKING BAR A | 1 |
| 25 | | B14670530A0 | WALKING BAR ASM. | 1 |
| 26 | | B1468053000 | WALKING BAR SPRING | 1 |
| 27 | | SS6151780SP | SCREW 15/64-28 L=17.0 | 1 |
| 28 | | 21406509 | UPPER FEED GUIDE PLATE | 1 |
| 29 | | 26225201 | ROLLER | 1 |
| 30 | | SS6151920SP | SCREW 15/64-28 L=19.0 | 1 |
| 31 | | SM6040800SP | SCREW M4*7.5 | 2 |
| 32 | | SS7150740SP | SCREW 15/64-28 L=7 | 1 |
| 33 | | 21340906 | PRESSER ADJUSTING SCREW | 1 |
| 34 | | B1510155000 | PRESSER BAR LOWER BUSHING | 1 |
| 35 | | 21337803 | FEED ADJUSTING BASE SUPPORT | 1 |
| 36 | | 44E08B | PRESSER FOOT ASM 3/8 | 1 |
| 37 | | 21340005 | UPPER FEED LINK (B) | 1 |
| 38 | | 21340302 | UPPER FEED REAR ARM (B) | 1 |
| 39 | | B1501141H00 | PRESSER BAR | 1 |
| 40 | | 40033032 | PRESSER BAR HOLDER A ASM. | 1 |
| 41 | | 40033031 | PRESSER BAR HOLDER A | 1 |
| 42 | | SS7110910TP | SCREW 11/64-40 L= 8.5 | 1 |
| 43 | | B1511555000 | PRESSER SPRING REGULATOR NUT | 1 |
| 44 | | B1502246000 | PRESSER SPRING | 1 |
| 45 | | SD0800481SP | HINGE SCREW D= 8 H= 4.9 | 1 |
| 46 | | 21341151 | THREAD RELEASE HOLDING PLATE | 1 |
| 47 | | B1462053000 | THREAD RELEASE SPRING | 1 |
| 48 | | 21406103 | PRESSER LIFTER LEVER | 1 |
| 49 | | 21406608 | GUIDE PLATE SPACER | 1 |
| 50 | | SS6090910TP | SCREW 9/64-40 L=9 | 1 |

4. UPPER FEED MECHANISM COMPONENTS



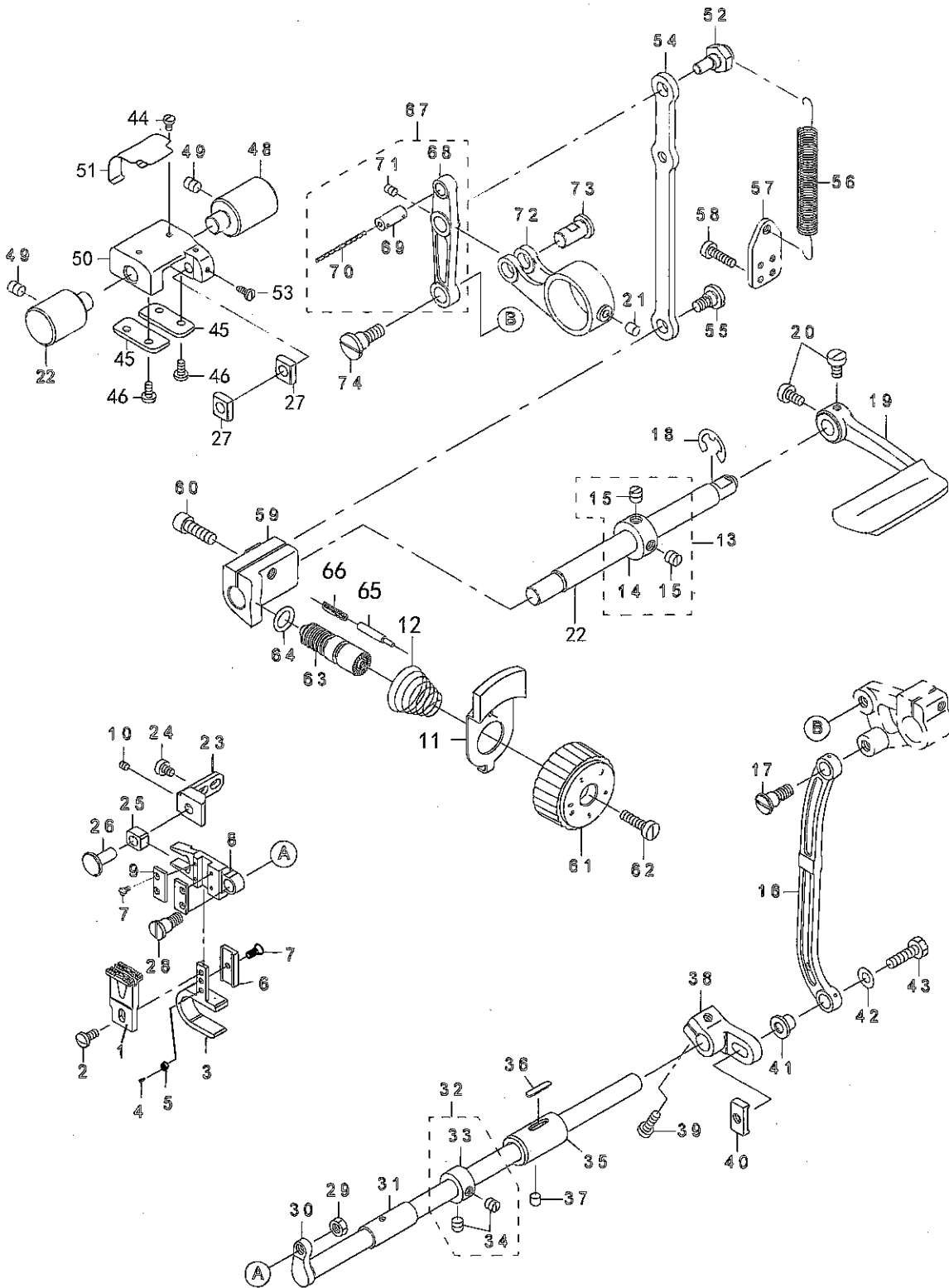
| SERIAL NO | DESCRIPTION | PARTS NO | PARTS | QUANTITY |
|-----------|-------------|-------------|-------------------------------|----------|
| 51 | | NS6680320SP | NUT9/32-28 | 1 |
| 52 | | 44E08A | WALKING FOOT ASM | 1 |
| 53 | | 10714509 | CONNECTION LINK B | 2 |
| 54 | | 10714608 | CONNECTION LINK B SUPPORT PIN | 2 |
| 55 | | SS4110815SP | SCREW 11/64-40 L=8 | 2 |
| 56 | | SM8050502TP | SCREW | 2 |
| 57 | | 10774354 | UPPER AND LOWER DIAL ASM. | 1 |
| 58 | | SM6032002TP | SCREW M5 0=20 | 1 |
| 59 | | RE0800000KO | E-SHAPED SNAP RING | 1 |
| 60 | | 10715100 | VERTICAL DIAL SHAFT BUSHING | 1 |
| 61 | | 10715001 | VERTICAL ADJUSTING CAM | 1 |
| 62 | | 10715704 | VERTICAL DIAL PIN | 1 |
| 63 | | B152652700G | SPRING | 1 |
| 64 | | SS6110630TP | SCREW 11/64-40 L=6 | 1 |
| 65 | | 21341607 | VERTICAL ADJUSTING ARM | 1 |
| 66 | | 10715308 | PIN | 1 |
| 67 | | SM6051402TP | SCREW M5X0.8 L=14 | 1 |
| 68 | | 21341508 | VERTICAL CHANGE BASE SHAFT | 1 |
| 69 | | 10718203 | FEED SHAFT FRONT METAL | 1 |
| 70 | | 10714202 | VERTICAL CHANGE BELT | 1 |
| 71 | | 21438106 | STOPPER PLATE B | 1 |
| 72 | | SM1050801SR | SCREW M5 L=8 | 1 |
| 73 | | 21339700 | UPPER FEED STOPPER PLATE (B) | 1 |
| 74 | | SS4110815SP | SCREW 11/64-40 L=8 | 2 |
| 75 | | 10713501 | SPRING HOOK | 2 |
| 76 | | 10716504 | VERTICAL SHAFT SPRING | 1 |
| 77 | | B3416552000 | CONNECTING ROD HINGE SCREW | 2 |
| 78 | | RE0300000KO | E-RING | 2 |
| 79 | | 21339809 | UPPER FEED DOG SPRING HOOK | 1 |
| 80 | | SS7110830SP | SCREW 11/64-40 L= 7.5 | 1 |
| 81 | | 10713766 | ECCENTRIC ROD (SET) | 1 |
| 82 | | SS8660810TP | SCREW 1/4-40 L=8 | 2 |
| 83 | | 10713808 | CONNECTION LINK PIN B | 1 |

5、送料机构 (FEED MECHANISM COMPONENTS)



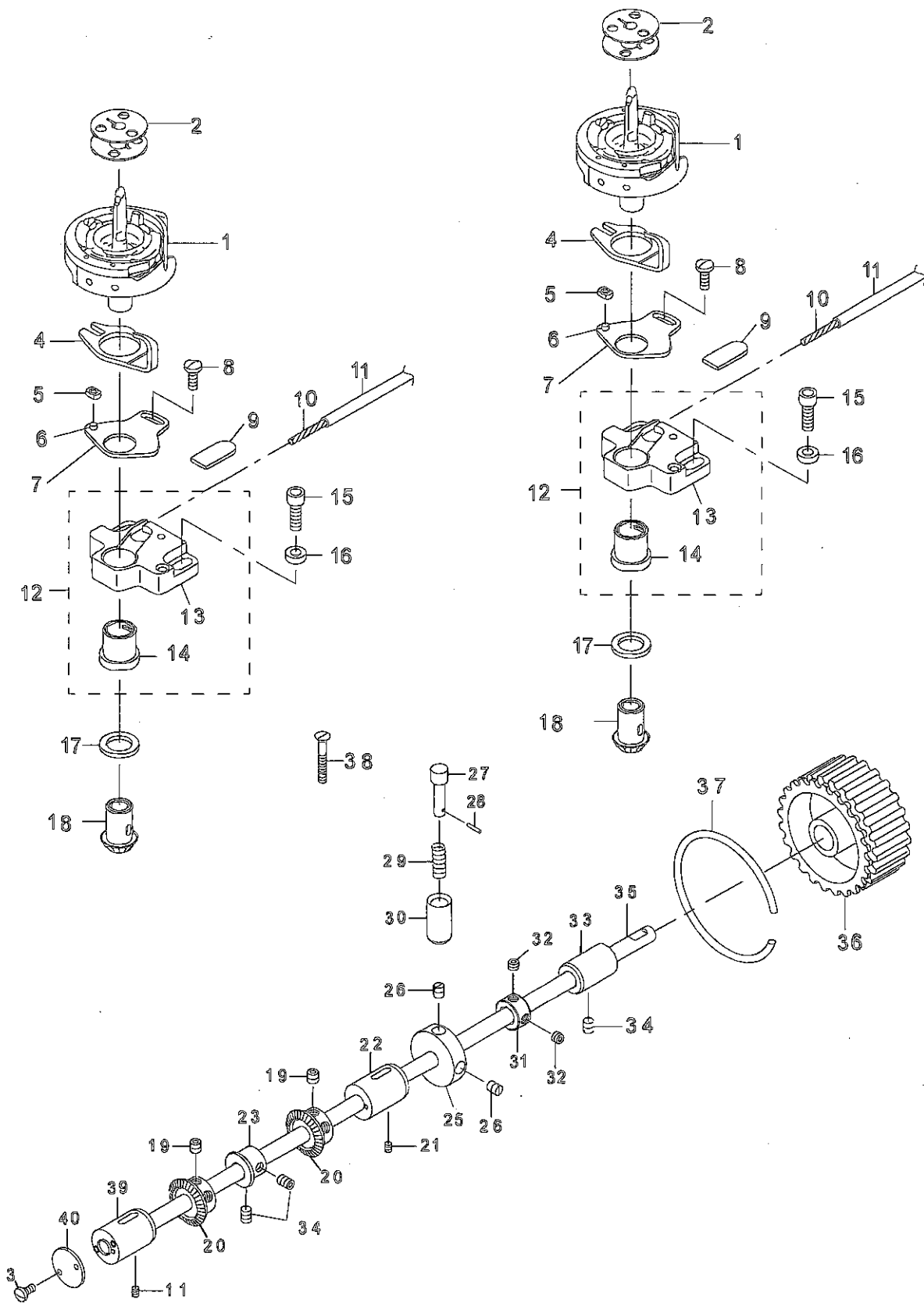
| SERIAL NO | DESCRIPTION | PARTS NO | PARTS | QUANTITY |
|-----------|-------------|-------------|----------------------------------|----------|
| 1 | | 040595 | FEED DOG | 1 |
| 2 | | SS7110840SP | SCREW 11/64-40 L=7.8 | 1 |
| 3 | | 040592A | FEED BASE | 1 |
| 4 | | 031805 | SCREW | 1 |
| 5 | | 031804 | Eccentric wheel | 1 |
| 6 | | 040594 | SQUARE BLOCK | 1 |
| 7 | | LS4. 36B6 | SCREW | 5 |
| 8 | | 040589 | HORIZONTAL FEED SHAFT | 1 |
| 9 | | 040590 | PLATE | 1 |
| 10 | | SS8110422TP | SCREW 11/64-40 L=4 | 2 |
| 11 | | 010561 | BOTTON | 1 |
| 12 | | 010562 | SPRING | 1 |
| 13 | | CS1201010SH | THRUST COLLAR ASM. D=12 W=10 | 1 |
| 14 | | CS1201011SH | THRUST COLLAR D=12 W=10 | -1 |
| 15 | | SS8660610TP | SCREW 1/4-40 L=6 | 2 |
| 16 | | 10205201 | NEEDLE BAR FRAME ROD | 1 |
| 17 | | SD0900701TP | HINGE SCREW D= 9 H= 7 | 1 |
| 18 | | RE0900000K0 | E-RING 9 | 1 |
| 19 | | 21388004 | REVERSE FEED ROCK SHAFT | 1 |
| 20 | | SS6120930TP | SCREW 3/16-28 L=9 | 2 |
| 21 | | 21387402 | HORIZONTAL FEED ROD OIL FELT | 1 |
| 22 | | 21336300 | BACKWARD FEED LEVER SHAFT | 1 |
| 23 | | 40091248 | HORIZONTAL FEED BASE SUPPORT | 1 |
| 24 | | SS6110610TP | SCREW 11/64-40 L=6 | 2 |
| 25 | | 40091244 | SQUARE BLOCK | 1 |
| 26 | | 40091245 | HORIZONTAL FEED BASE SUPPORT PIN | 1 |
| 27 | | 21407309 | SQUARE BLOCK | 2 |
| 28 | | SD0790701SP | HINGE SCREW D=7.94 H=7 | 1 |
| 29 | | NS6660430SP | NUT 1/4-40 | 1 |
| 30 | | 21427604 | | 1 |
| 31 | | B1607246000 | BUSHING FRONT | 1 |
| 32 | | CS111101CSH | THRUST COLLAR ASM. D=11.11 W=10 | 1 |
| 33 | | CS1111019SH | THRUST COLLAR D=11.11 W=10 | -1 |
| 34 | | SS8660610TP | SCREW 1/4-40 L=6 | 2 |
| 35 | | 21427703 | HORIZONTAL FEED SHAFT D | 1 |
| 36 | | B1806038000 | OIL FELT | 1 |
| 37 | | SS8150510TP | SCREW 15/64-28 L= 4.7 | 1 |
| 38 | | 21428305 | HORIZONTAL FEED ARM | 1 |
| 39 | | SS6121610TP | SCREW 3/16-28 L=15.5 | 1 |
| 40 | | 21428503 | HORIZONTAL FEED ARM STOPPER | 1 |
| 41 | | 21428404 | HORIZONTAL FEED ARM ROD | 1 |
| 42 | | WP0621016SH | WASHER | 1 |
| 43 | | SS9152130CP | SCREW 15/64-28 L=20.5 | 1 |
| 44 | | SS8110422TP | SCREW 11/64-40 L=4 | 2 |
| 45 | | 21337704 | FEED ADJUSTING BAST COVER | 2 |
| 46 | | SS7110910TP | SCREW 11/64-40L=8.5 | 2 |
| 47 | | 21430400 | FEED ADJUSTER SUPPORT | 1 |
| 48 | | 21337803 | FEED ADJUSTING BASE SUPPORT | 2 |
| 49 | | SS8150822TP | SCREW 15/64-28 L=8 | 2 |
| 50 | | 21337506 | FEES ADJUSTING BAST | 1 |

5、送料机构(FEED MECHANISM COMPONENTS)



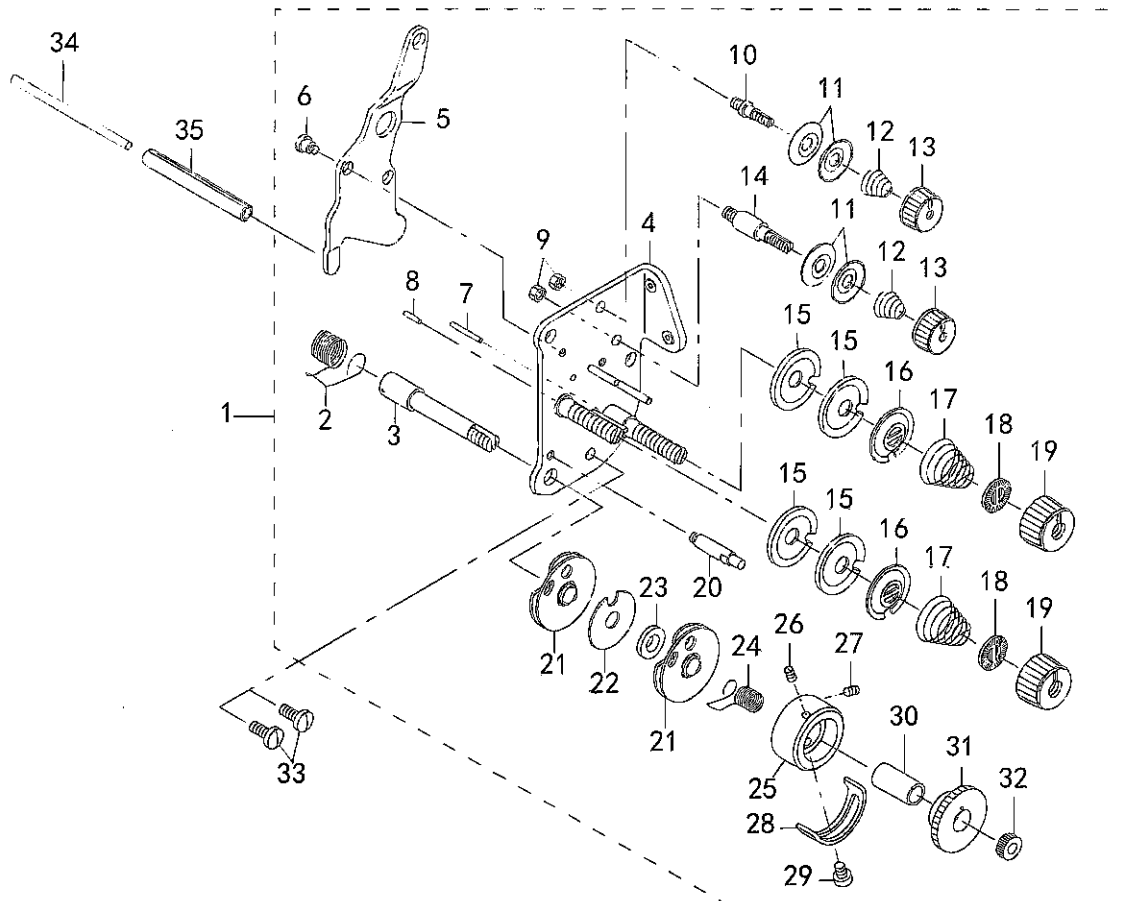
| SERIAL NO | DESCRIPTION | PARTS NO | PARTS | QUANTITY |
|-----------|-------------|-------------|----------------------------|----------|
| 51 | | 21338306 | FELT SUPPORT | 1 |
| 52 | | SS709010TP | SCREW 15/64-40 L=8.5 | 2 |
| 53 | | 21337902 | ECCENTRIC PIN | 1 |
| 54 | | 21337308 | FEED ADJUSTING ROD | 1 |
| 55 | | SD0800402TP | HINGE SCREW D= 8 H=4 | 1 |
| 56 | | 21337605 | SPRING | 1 |
| 57 | | 40019926 | SPRING HOOK | 1 |
| 58 | | SS6111610SP | SCREW 11/64-40 L=16 | 2 |
| 59 | | 21336805 | FEED DIAL A | 1 |
| 60 | | SM6061802TP | SCREW M6 L=18 | 1 |
| 61 | | 21337209A | FEED ADJUSTING A | 1 |
| 62 | | SS6121860SP | SCREW 3/16-28 L=18 | 1 |
| 63 | | 22911804 | FEED REGULATOR SCREW | 1 |
| 64 | | R0092270200 | RUBBER RING | 1 |
| 65 | | 010563 | FEED REGULATOR PIN | 1 |
| 66 | | 22912109 | FEED REGULATOR PIN SPRING | 1 |
| 67 | | 21336656 | FEED LINK ASM. | 1 |
| 68 | | 21336607 | FEED LINK | -1 |
| 69 | | B1418761000 | CONNECTING FORKED LINK PIN | -1 |
| 70 | | CQ202000000 | OIL WICK | 4 |
| 71 | | SM8050612TP | SCREW M5X6 | 1 |
| 72 | | 21336706 | FEED ROD A | 1 |
| 73 | | 21338207 | FEED LINK PIN | 1 |
| 74 | | SD1000801SH | HINGE SCREW D=10 H=8 | 1 |

6、HOOK SHAFT & LOWER SHAFT COMPINENTS



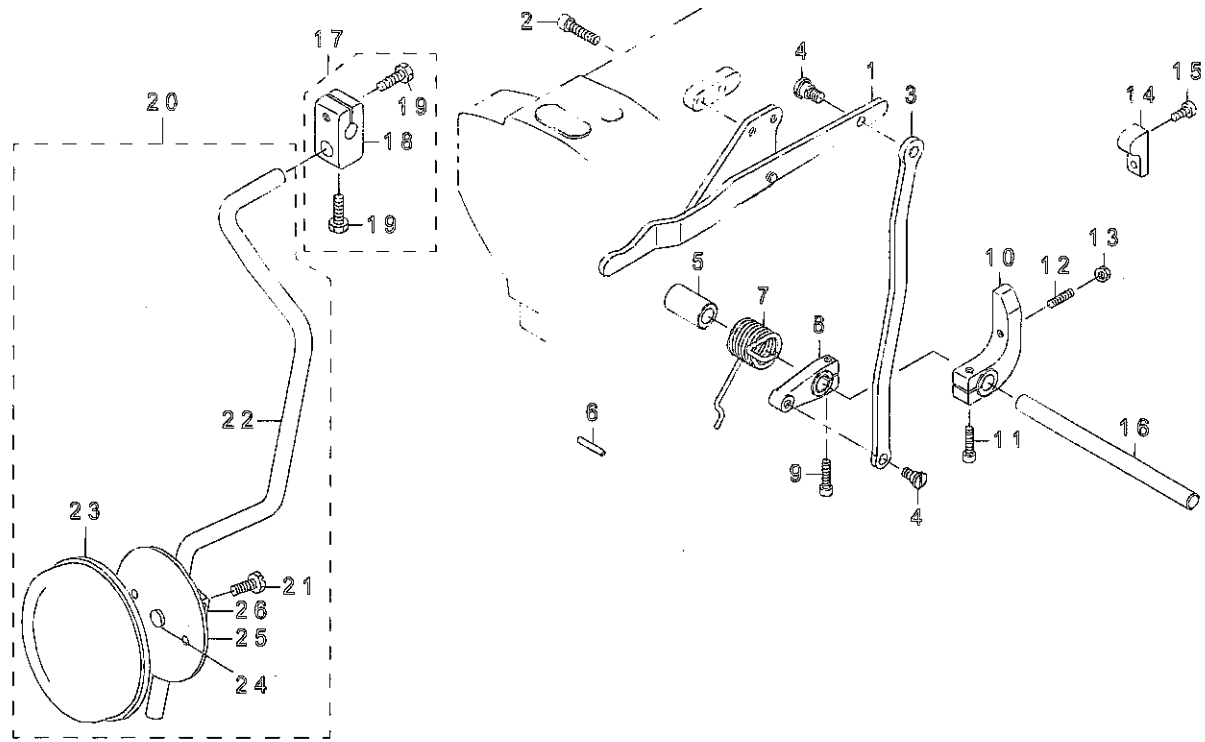
| SERIAL NO | DESCRIPTION | PARTS NO | PARTS | QUANTITY |
|-----------|-------------|--------------|-----------------------------|----------|
| 1 | | 21431457 | LATCH HOOK ASM. | 2 |
| 2 | | B9117201000 | BOBBIN | 2 |
| 3 | | LS4B6 | SCREW M4 L=6 | 2 |
| 4 | | 23102601 | INNER HOOK GUIDE | 2 |
| 5 | | B1827246000 | SLIDE BLOCK | 2 |
| 6 | | B1826246000 | SLIDE BLOCK PIN | 2 |
| 7 | | B1827246000 | SLIDE BLOCK | 2 |
| 8 | | SS7091110TP | SCREW 9/64-40 L=10.5 | 2 |
| 9 | | 21431200 | HOOK SHAFT LUBRICATION FELT | 2 |
| 10 | | CQ202000000 | OIL WICK | 0.32 |
| 11 | | BT0500300EA | OIL TUBE | 0.1 |
| 12 | | 40029253 | HOOK SHAFT BASE ASM. | 2 |
| 13 | | 40029250 | HOOK SHAFT BASE | -2 |
| 14 | | 40029246 | HOOK SHAFT METAL | -2 |
| 15 | | LS5A10 | SCREW M5X0.8 L=12 | 4 |
| 16 | | PD5 | WASHER | 4 |
| 17 | | B1820246000 | WASHER | 2 |
| 18 | | 21227301 | HOOK SHAFT GEAR | 2 |
| 19 | | SS8660612TP | SCREW 1/4-40 L=6 | 6 |
| 20 | | B1836246000A | LOWER SHAFT BEVEL GEAR | 2 |
| 21 | | SS8110410TP | SCREW 11/64-40 L= 3.5 | 4 |
| 22 | | B1803246000 | BUSHING INTERMEDIATE | 2 |
| 23 | | 21429402 | VERTICAL FEED CAM (0.6) | 1 |
| 24 | | SS8660612TP | SCREW 11/64-40 L=3.5 | 2 |
| 25 | | B1301340000 | SAFETY CLUTCH DISK | 1 |
| 26 | | SS8150710SP | SCREW 15/64-28 L=7 | 2 |
| 27 | | 21223409 | SAFETY CLUTCH PUSH BUTTON | 1 |
| 28 | | PS0200102KH | SPRING PIN 2.0 X 10 | 1 |
| 29 | | B1639051000 | SPRING | 1 |
| 30 | | 21223508 | PUSH BUTTON CYLINDER | 1 |
| 31 | | 23102700 | LOWER SHAFT THRUST HOLDER | 1 |
| 32 | | SS8150432TH | SCREW 15/64-28 L=4 | 2 |
| 33 | | 21427307 | LOWER SHAFT METAL REAR | 1 |
| 34 | | SS8150710TP | SCREW 15/64-28 L=7 | 1 |
| 35 | | 040680 | LOWER SHAFT | 1 |
| 36 | | 21333505 | LOWER SPROCKET | 1 |
| 37 | | 21223409 | SAFETY CLUTCH PUSH BUTTON | 1 |
| 38 | | SS1092810SP | SCREW 9/64-40 L=25.4 | 2 |
| 39 | | 040678 | BUSHING INTERMEDIATE | 1 |
| 40 | | 40680 | Cover plate | 1 |

7. Thread tension components



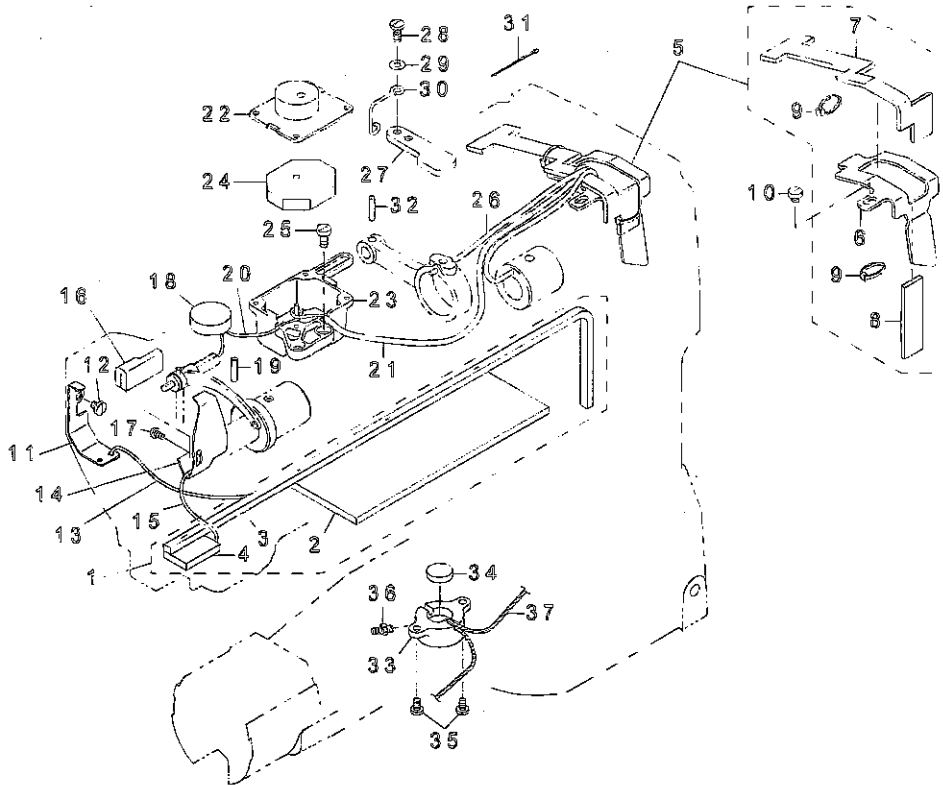
| SERIAL NO | DESCRIPTION | PARTS NO | PARTS | QUANTITY |
|-----------|-------------|-------------|----------------------------|----------|
| 1 | | 21390562 | THREAD TENSION ASM. | 1 |
| 2 | | B3128051000 | THREAD TAKE-UP SPRING A | 1 |
| 3 | | 10124501 | THREAD TAKE-UP SPRING STUD | 1 |
| 4 | | 21390554 | THREAD TENSION BASE COMPL. | 1 |
| 5 | | 21441100 | THREAD RELEASE PLATE | 1 |
| 6 | | SD0470281SP | HINGE SCREW D=4.7 H=2.8 | 2 |
| 7 | | B3127527000 | PIN B | 1 |
| 8 | | B3127051000 | TENSION RELEASE PIN SHORT | 1 |
| 9 | | NS6110310SP | NUT 11/64-40 | 2 |
| 10 | | 10124204 | THREAD TENSION POST A | 1 |
| 11 | | B3214047000 | BOBBIN WINDER TENSION DISC | 4 |
| 12 | | D3168555HOB | TENSION SPRING NO. 1 | 2 |
| 13 | | 11072402 | THREAD TENSION NUT | 2 |
| 14 | | 10124303 | THREAD TENSION POST B | 1 |
| 15 | | B3126051000 | TENSION DISC | 4 |
| 16 | | B3132051000 | TENSION DISC HOLDER | 2 |
| 17 | | B3129053000 | TENSION SPRING | 2 |
| 18 | | B3120125000 | ROTATING STOPPER | 2 |
| 19 | | 11072204 | TENSION NUT | 2 |
| 20 | | B3143527000 | TAKE-UP SPRING GUIDE STUD | 1 |
| 21 | | B31375270A0 | TAKE-UP SPRING GUIDE ASM. | 2 |
| 22 | | B3142527000 | TAKE-UP SPRING GUIDE PLATE | 1 |
| 23 | | B3139527000 | COLLAR | 1 |
| 24 | | B3128527000 | THREAD TAKE-UP SPRING B | 1 |
| 25 | | 22617609 | THREAD TENSION POST | 1 |
| 26 | | 22618904 | SET SCREW | 1 |
| 27 | | 22618904 | SET SCREW | 1 |
| 28 | | B3138527000 | ADJUSTING PLATE B | 1 |
| 29 | | SS7090520SP | SCREW 9/64-40 L= 4.5 | 1 |
| 30 | | B3141527000 | PRESSER COLLAR | 1 |
| 31 | | B3125527000 | TAKE-UP SPRING GUIDE | 1 |
| 32 | | B3125012000 | THREAD TENSION NUT | 1 |
| 33 | | SS7110910TP | SCREW 11/64-40 L= 8.5 | 2 |
| 34 | | 21348206 | TENSION RELEASE BAR | 1 |
| 35 | | PS0600502KP | SPRING PIN | 1 |

8、 KNEE LIFTING CIMPONENTS



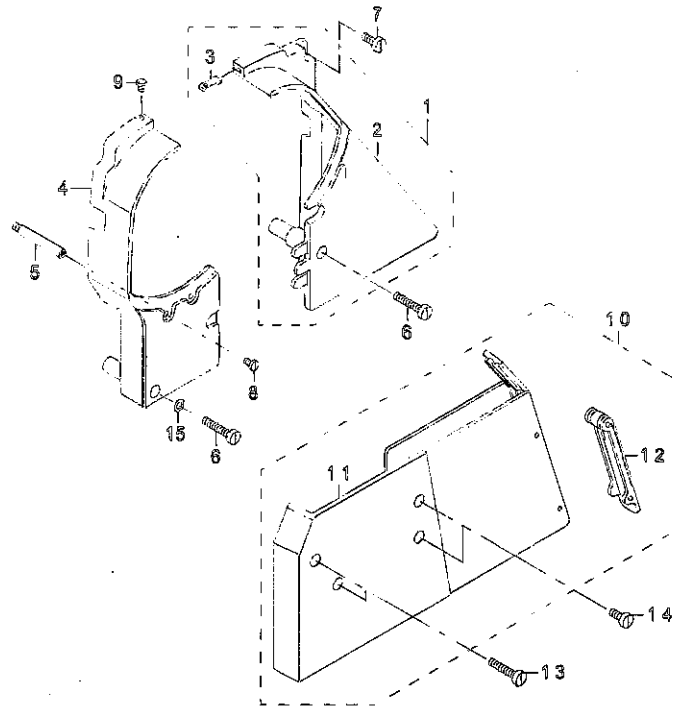
| SERIAL NO | DESCRIPTION | PARTS NO | PARTS | QUANTITY |
|-----------|-------------|-------------|-----------------------------|----------|
| 1 | | 21432851 | KNEE LIFTER LEVER ASM. | 1 |
| 2 | | SM6062502TP | SCREW M6 L=25 | 2 |
| 3 | | 21432703 | NEE LIFTER CONNECTING PLATE | 1 |
| 4 | | SD0790451SP | HINGE SCREW D= 7.94 H= 4.5 | 2 |
| 5 | | 21433008 | NEE LIFTER CONNECTING PLATE | 1 |
| 6 | | PS0400222K0 | SPRING PIN | 1 |
| 7 | | 21433107 | KNEE LIFTER SPRING | 1 |
| 8 | | 21405709 | KNEE LIFTER ARM | 1 |
| 9 | | SM6052002TP | SCREW M5 L=20 | 1 |
| 10 | | 21432604 | KNEE LIFTER STOPPER ARM | 1 |
| 11 | | SM6052002TP | SCREW M5 L=20 | 1 |
| 12 | | SM8052502TP | SCREW M5X0.8 L=25 | 1 |
| 13 | | NM6050001SD | NUT M5X0.8 | 1 |
| 14 | | 21433206 | STOPPER ARM | 1 |
| 15 | | SS6121210SP | SCREW 3/16-28 L=12 | 2 |
| 16 | | 21432505 | KNEE LIFTER SHAFT | 1 |
| 17 | | 22932453 | BRACKET ASM. | 1 |
| 18 | | 22932404 | BRACKET | -1 |
| 19 | | 22934707 | SCREW | -2 |
| 20 | | 21433354 | KNEE PRESS PLATE ASM. | 1 |
| 21 | | SM9061203SE | SCREW M6 L=12 | -1 |
| 22 | | 21433305 | KNEE PRESS LEVER | 1 |
| 23 | | 22934509 | KNEE PAD PLATE COVER | 1 |
| 24 | | 22934400 | KNEE PAD PLATE RUBBER | -1 |
| 25 | | 22934202 | KNEE PAD PLATE | -1 |
| 26 | | 22934301 | KNEE PAD PLATE SUPPORT | 1 |

9、 LUBRICATION COMPONENTS



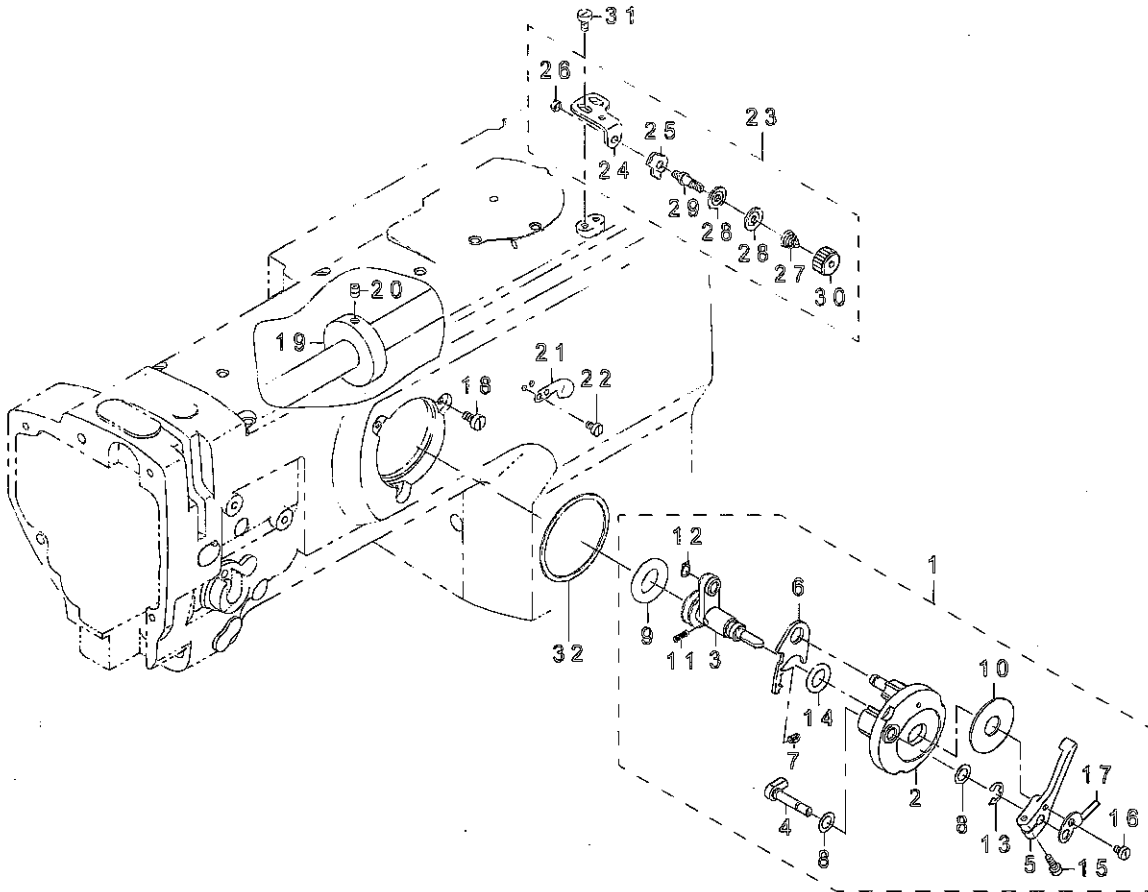
| SERIAL NO | DESCRIPTION | PARTS NO | PARTS | QUANTITY |
|-----------|-------------|-------------|--------------------------------|----------|
| 1 | | 21345756 | ARM ONCE THROUGH OIL FELT ASM. | 1 |
| 2 | | 21345707 | ARM ONCE THROUGH FELT A | 1 |
| 3 | | 21345806 | FELT B | 1 |
| 4 | | 21345905 | FACE ONCE THROUGH FELT | -1 |
| 5 | | 21346358 | FELT SUPPORT ASM. | 1 |
| 6 | | 21346309 | FELT | 1 |
| 7 | | 21346507 | FEED CHANGE FELT | 1 |
| 8 | | 21346408 | FELT | -1 |
| 9 | | EA9500B0000 | CLIP CV-70S | -2 |
| 10 | | SS6110480SP | SCREW 11/64-40 L=4.3 | 1 |
| 11 | | 21340708 | UPPER FEED OIL BAR PLATE | 1 |
| 12 | | SS7110510SP | SCREW 11/64-40 L=5 | 1 |
| 13 | | CQ202000000 | OIL WICK | 2 |
| 14 | | 21347000 | TAKE-UP OIL PLATE | 1 |
| 15 | | CQ202000000 | OIL WICK | 5 |
| 16 | | 21347208 | TAKE-UP LUBRICATION FELT | 1 |
| 17 | | SS3090610SP | SCREW 9/64-40 L=6 | 1 |
| 18 | | 21346002 | FELT | 1 |
| 19 | | B1412051000 | FELT | 1 |
| 20 | | CQ252000000 | OIL WICK | 3 |
| 21 | | BT0500300EA | OIL TUBE | 0.25 |
| 22 | | 21407507 | OIL TANK A | 1 |
| 23 | | 21407606 | OIL TANK B | 1 |
| 24 | | 21407705 | FELT | 2 |
| 25 | | SS6111010SP | SCREW 11/64-40 L= 9.5 | 2 |
| 26 | | CQ202000000 | OIL WICK | 2 |
| 27 | | 21339700 | UPPER FEED STOPPER PLATE (B) | 1 |
| 28 | | SS7111120TP | SCREW | 2 |
| 29 | | WP0450801SD | WASHER 4. 5X10X0. 8 | 1 |
| 30 | | 22620504 | OIL WICK HOLDER | 1 |
| 31 | | EA9500B0000 | CLIP CV-70S | 1 |
| 32 | | PS0500202KP | SPRING PIN 5X20 | 1 |
| 33 | | 21433800 | OIL TANK | 1 |
| 34 | | B1203051000 | OIL FELT | 1 |
| 35 | | SS7110710SP | SCREW 11/64-40 L=7 | 2 |
| 36 | | SQ1110401MZ | CONNECTING SCREW | 1 |
| 37 | | CQ202000000 | OIL WICK | 4 |

10、BELT COVER



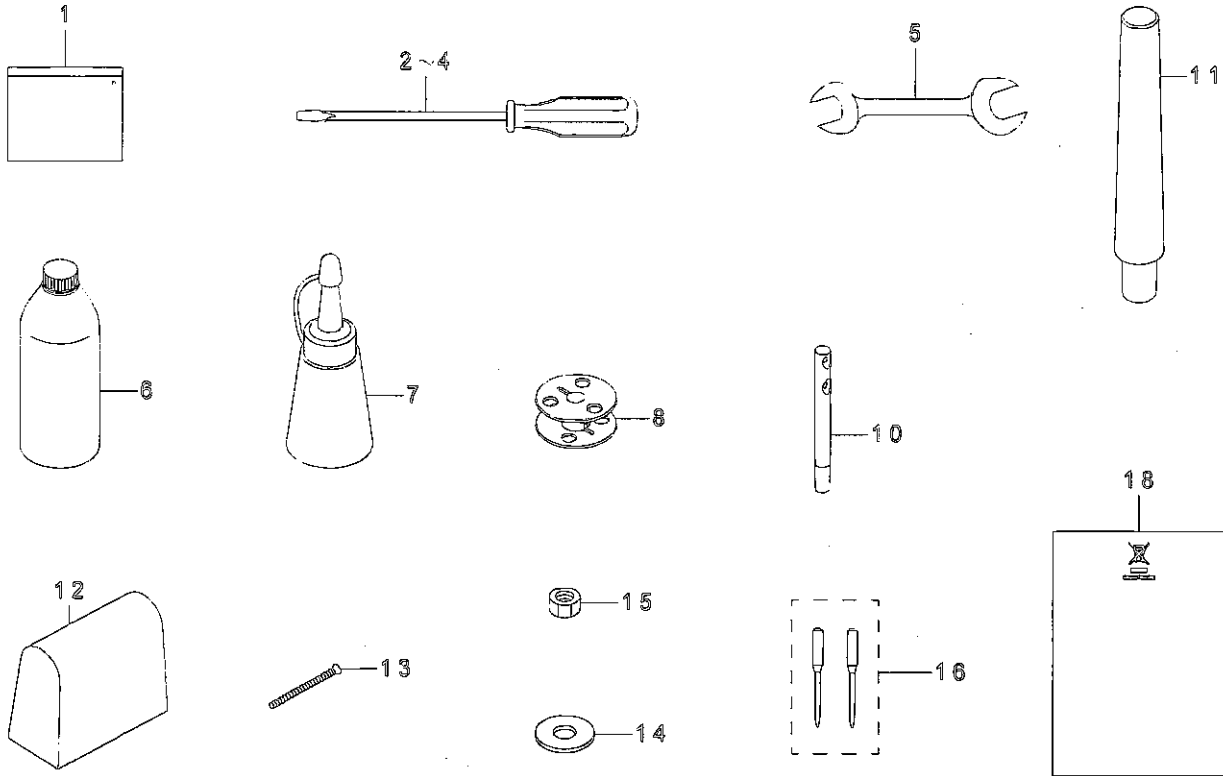
| SERIAL NO | DESCRIPTION | PARTS NO | PARTS | QUANTITY |
|-----------|-------------|-------------|----------------------------|----------|
| 1 | | 21351150 | BELT COVER ASM. (RIGHT) | 1 |
| 2 | | 21351101 | BELT COVER (RIGHT) | -1 |
| 3 | | 21351002 | BELT COVER AUXILIARY PLATE | 1 |
| 4 | | 21351200 | BELT COVER (LEFT) | 1 |
| 5 | | D8232241E00 | BELT COVER SUPPORT A | 1 |
| 6 | | SS6153040SP | SCREW 15/64-28 L=30 | 2 |
| 7 | | SS6151440SP | SCREW 15/64-28 L=14 | 1 |
| 8 | | SS7110840SP | SCREW 11/64-40 L=7.8 | 1 |
| 9 | | SS5110740TP | SCREW 11/64-40 L= 6.5 | 1 |
| 10 | | 21434451 | BELT COVER ASM. LOWER | 1 |
| 11 | | 21434402 | BELT COVER LOWER | -1 |
| 12 | | 21434501 | BELT COVER COVER | -1 |
| 13 | | SS6153040SP | SCREW 15/64-28 L=30 | 2 |
| 14 | | SS6151440SP | SCREW 15/64-28 L=14 | 2 |
| 15 | | WP0612076SP | WASHER 6.1X11X2 | 1 |

11. LOWER THREAD WINDER MECHANISM COMPONENTS



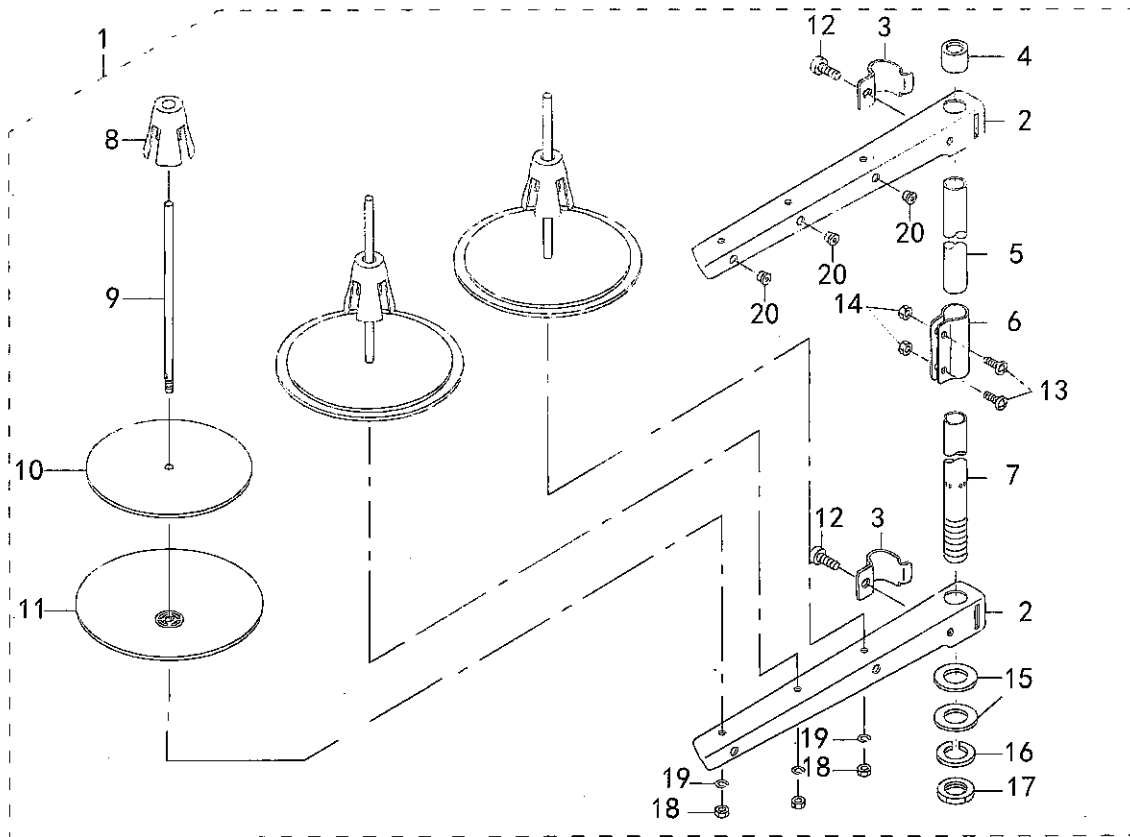
| SERIAL NO | DESCRIPTION | PARTS NO | PARTS | QUANTITY |
|-----------|-------------|--------------|-----------------------------|----------|
| 1 | | 21357967 | BOBBIN DEVICE ASM. | 1 |
| 2 | | 22537658 | BOBBIN FITTING BASIS COMPL. | 1 |
| 3 | | 21357959 | BOBIN SHAFT COMPL. | -1 |
| 4 | | 22538151 | BOBBIN CAM SHAFT COMPL. | -1 |
| 5 | | 23636202 | BOBBIN LEVER | 1 |
| 6 | | 21356001 | ADJUSTING PLATE | 1 |
| 7 | | B152989000CA | PRESSUR FOOT SPRING | 1 |
| 8 | | 10618304 | VERTICAL ROLLER WASHER | -2 |
| 9 | | 21358205 | BOBBIN FRICTION GEAR | -1 |
| 10 | | B3205210000 | CUSHION | -1 |
| 11 | | B1148555000 | SPRING | -1 |
| 12 | | RC0560711KP | RETAINING RING | -1 |
| 13 | | RE0500000K0 | E-RING | 1 |
| 14 | | R0092270200 | RUBBER RING | -1 |
| 15 | | SS7091410SP | SCREW 9/64-40 L=13.5 | -1 |
| 16 | | SS6090520SP | SCREW 9/64-40 L= 5.0 | 1 |
| 17 | | 14512503 | BOBBIN ADJUSTING PLATE | 1 |
| 18 | | SS6110810TP | SCREW 11/64-40 L=8 | 3 |
| 19 | | 10704807 | BOBBIN FRICTION WHEEL | 1 |
| 20 | | SM8050602TP | SCREW M5 L=6 | 2 |
| 21 | | 10502300 | THREAD CUTTER | 1 |
| 22 | | SS6090620TP | SCREW | 1 |
| 23 | | 21355755 | LOWER THREAD GUIDE ASM. | 1 |
| 24 | | 21355706 | FITTING BASE | 1 |
| 25 | | D3162555B00 | THREAD GUIDE | -1 |
| 26 | | NS6110310SP | NUT 11/64-40 | -1 |
| 27 | | D3168555H0B | TENSION SPRING NO. 1 | -1 |
| 28 | | B3214047000 | BOBBIN WINDER TENSION DISC | -2 |
| 29 | | 21378708 | THREAD TENSION POST | 1 |
| 30 | | 11072402 | THREAD TENSION NUT | 1 |
| 31 | | SM6040800SP | SCREW | 2 |
| 32 | | 22538706 | PACKING | 1 |

12. ACCESSORIES PARTS



| SERIAL NO | DESCRIPTION | PARTS NO | PARTS | QUANTITY |
|-----------|-------------|-------------|------------------------------|----------|
| 1 | | B9101552000 | ACCESSORY BOX | 1 |
| 2 | | 22933006 | SCREW DRIVER LARGE | 1 |
| 3 | | 22933105 | SCREW DRIVER MIDDLE | 1 |
| 4 | | 22933204 | SCREW DRIVER SMALL | 1 |
| 5 | | B9113012000 | WRENCH (9X10) | 1 |
| 6 | | MDFRX2700C0 | NEW DEFRIX OIL NO. 2 (700CC) | 1 |
| 7 | | J1067000000 | OILER | 1 |
| 8 | | B9117201000 | BOBBIN | 1 |
| 9 | | 22958300 | NEEDLE THREAD GUIDE PIN | 1 |
| 10 | | B820424500A | FRAME SUPPORT BAR | 1 |
| 11 | | 40048536 | HEAD_COVER | 1 |
| 12 | | B9130245000 | BOLT | 4 |
| 13 | | WP0751576SD | WASHER 7. 5X19X1. 5 | 4 |
| 14 | | NM6060001SD | NUT M6 | 4 |
| 15 | | M13517B1602 | NEEDLE 135X17 #160-2 | 1 |
| 16 | | CM600100201 | WEEE INFORMATION SHEET | 1 |

13. Thread stand components



| SERIAL NO | DESCRIPTION | PARTS NO | PARTS | QUANTITY |
|-----------|-------------|-------------|-----------------------------|----------|
| 1 | | 26910158 | THREAD STANDING DEVICE ASM. | 1 |
| 2 | | 22930507 | SPOOL REST ARM | <2> |
| 3 | | 22930705 | THREAD GUIDE ARM JOINT | <2> |
| 4 | | 22931406 | SPOOL REST ROD RUBBER CAP | <1> |
| 5 | | 22930408 | SPOOL REST ROD UPPER | <1> |
| 6 | | 22931307 | SPOOL REST ROD JOINT | <1> |
| 7 | | 22930309 | SPOOL REST ROD LOWER | <1> |
| 8 | | 22931109 | SPOOL RETAINER | <3> |
| 9 | | 22931000 | SPOOL PIN | <3> |
| 10 | | 22930903 | SPOOL REST CUSHION | <3> |
| 11 | | 22930804 | SPOOL REST | <3> |
| 12 | | SM6061610SC | SCREW M6 L=16 | <4> |
| 13 | | SM4051405SE | SCREW M5 L=14 | <2> |
| 14 | | NM6050001SE | NUT M5 | <2> |
| 15 | | WP1612616SE | WASHER 16X30X2.6 | <2> |
| 16 | | WS1643202KR | SPRING WASHER | <1> |
| 17 | | NM6160511SE | NUT M16X1.5 | <1> |
| 18 | | NM6050001SE | NUT M5 | <3> |
| 19 | | WS0510002KN | SPRING WASHER | <3> |
| 20 | | WS1643202KP | THREAD GUIDE | 3 |