

# INSTRUCTION MANUAL BOOK & PARTS BOOK

---

## 3995DD/3995AUT Series

DIRECT DRIVE TOP AND BOTTOM FEED  
LOCKSTITCH SEWING MACHINE WITH  
AUTOMATIC THREAD TRIMMER



# CONTENTS

## Operation instruction

1.Brief introduction.....	1
2.Machine specification.....	1
3.Installing the oil pan.....	1
4.Installing the machine head.....	2
5.Installing the knee lifter assy.....	2
6.Adjusting the knee lifter.....	3
7.Lubrication.....	3
8.Test operation.....	4
9.Installing the needle.....	5
10.Removing the bobbin case.....	5
11.Winding the bobbin thread.....	5
12.Threading the bobbin thread.....	6
13.Threading the needle thread.....	6
14.Adjusting the stitch length.....	7
15.Sewing and backtacking.....	7
16.Adjusting the thread tension.....	8
17.Adjusting the presser foot pressure.....	8
18.Adjusting the trailing length after thread trimming.....	9
19.Adjusting the thread tension spring.....	9
20.Adjusting the upper thread guide.....	10
21.Adjusting the presser foot height.....	10
22.Adjusting the feed dog height.....	10
23.Adjusting the feed dog angle.....	11
24.Adjusting the difference of stitch length between the forward and backtacking.....	11
25.Adjusting the tension release.....	11
26.Adjusting the timing of needle and feed mechanism.....	12
27.Adjusting the rotary hook lubrication amount.....	12
28.Adjusting the height of needle of needle bar and the timing with hook.....	13
29.Adjusting the oil pump.....	13
30.Adjusting the lifting amount of presser feet.....	14
31.Adjusting the trimming mechanism.....	15-16
32.Clean.....	17

## Parts Manual

1.Casting mechanism.....	18-19
2.Needle bar and thread take-up mechanism.....	20-21
3.Presser foot mechanism.....	22-23
4.Feed mechanism.....	24-27
5.Upper feed mechanism.....	28-29
6.Hook mechanism.....	30-31
7.Lubrication mechanism.....	32-33
8.Thead trimming mechanism.....	34-35
9.Reverse stitching mechanism.....	36-37
10.Accessories for model.....	38-39

# Operation Instruction

## 1. Brief introduction

This machine is designed with link type feed mechanism and link lever thread take-up mechanism and full lubrication by pump. It's suitable for sewing leather, canvas and other heavy weight materials, such as suitcase, car seat, tent, sofa, etc.

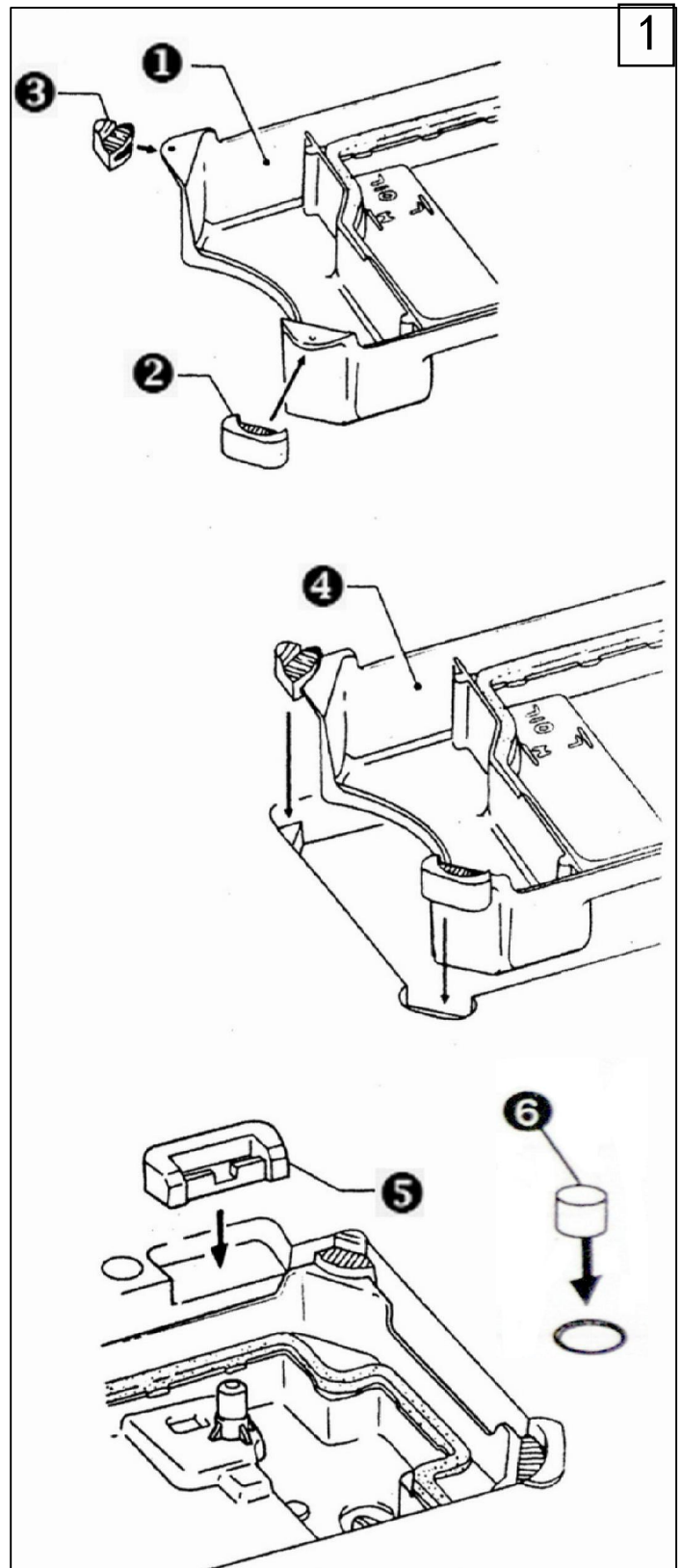
It's reliable and accurate on such functions as thread trimming, needle positioning, etc.

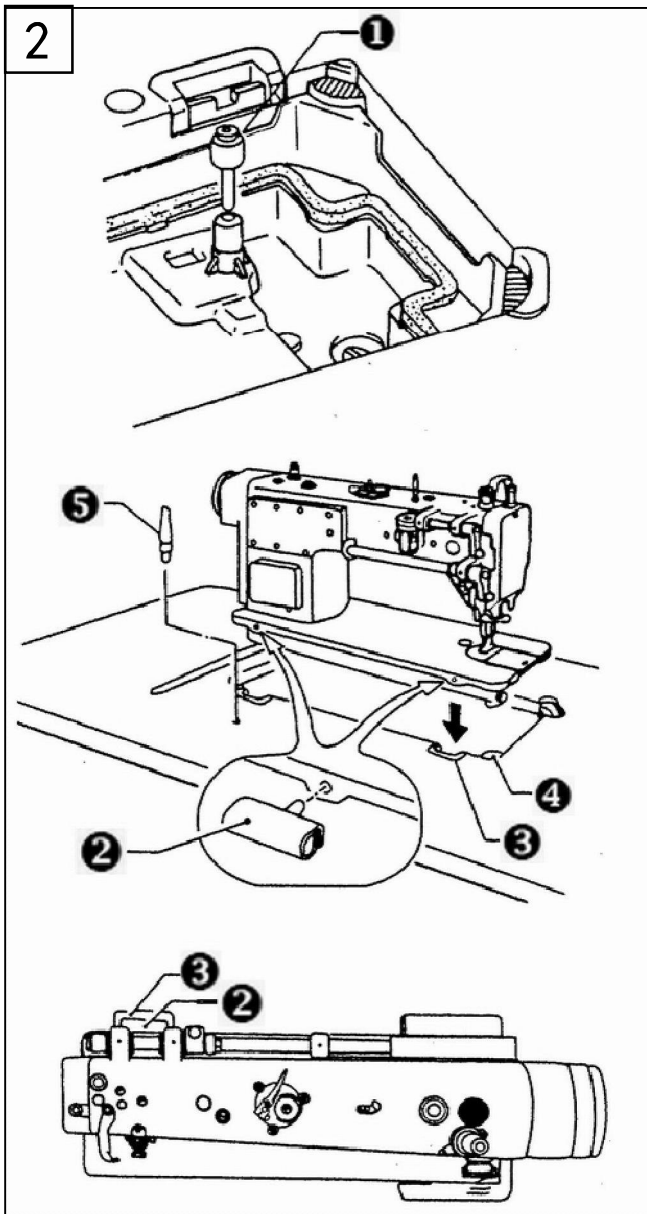
## 2. Main specifications

Model	3995DD	3995AUT	3995CXAUT
Applications	Medium & heavy weight materials		
Max sewing speed	2000 s.p.m		1800s.p.m
Max stitch length	8mm		12mm
Needle bar stroke	37mm		
Lifting amount of presser feet	3.5-5.5mm		
Needle	DPx17 23#		DPx17 25#
Presser foot	By hand	18mm	
Lifting height	By knee	16mm	
Hook	Large lubrication hook		
Lubrication	Automatic lubrication		
Motor power	750W		

## 3. Installing the oil pan (Fig.1)

1. Insert the two head cushion ② into the front corners of the oil pan ①;
2. Insert the two head cushion ③ into the back corners of the oil pan ①;
3. Place the oil pan ④ into the cutouts of table;
4. Insert the two rubber cushion ⑤ into the notches of table.
5. Insert the safety switch magnet ⑥ into the hole of the table near oil pan cutout.





#### 4. Installing the machine head(Fig.2)

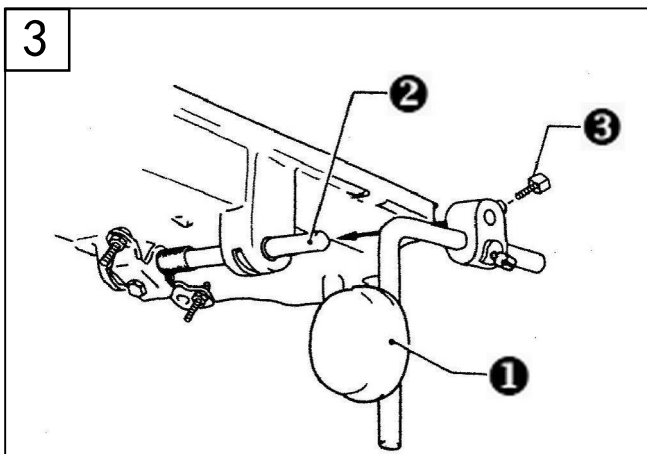
1. Insert the knee lifter lifting bar ①.

2. Insert the two hinges ② into the holes in the machine bed.

3. Clamp the two hinges onto the rubber cushions ③ in the work table, and place the machine head onto the head cushions ④ which are on the top of the oil pan corners.

4. Tap the rest bar ⑤ into the table hole.

NOTE: Tap the rest bar securely into the table hole, if not, the machine head will not be safe when it is tilted back.

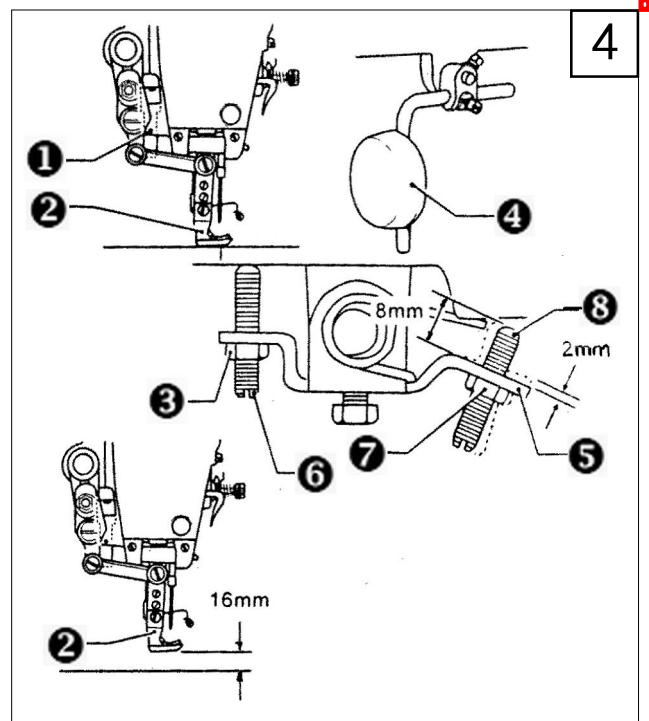


#### 5. Installing the knee lifter assy.(Fig.3)

Insert the knee lifter assy. ① into the shaft ② under the oil pan, and slightly tighten the screw ③.

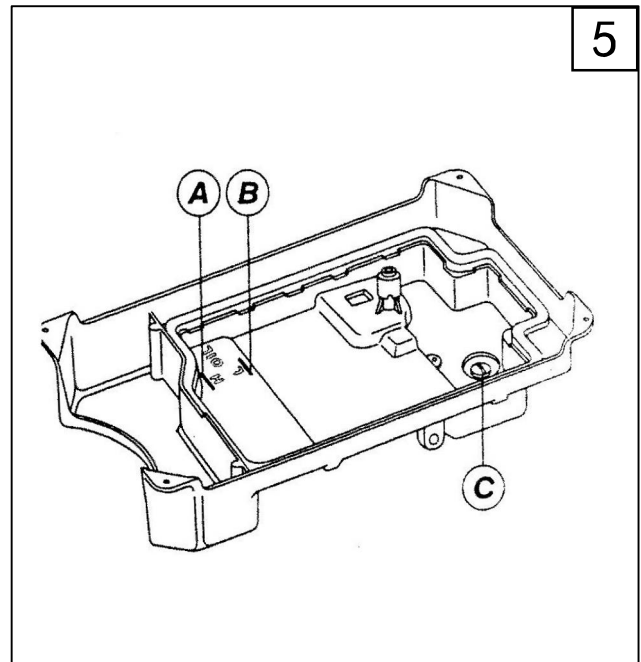
## 6. Adjusting knee lifter(Fig.4)

- 1.Lower the presser foot ② by turning the presser foot bar lifter ①.
- 2.Loosen the nut ③.
- 3.Turn the screw ⑥ to adjust the bracker ⑤ to 2mm play.
- 4.Securely tighten the nut ③.
- 5.Loosen the nut ⑦.
- 6.Turn the screw ⑧ until the distance between the end of the screw and bracket is approximately 8mm.
- 7.Turn the adjusting screw ⑧ to adjust, so that the presser foot is at the desired position within a distance of 16mm above the needle plate when the knee lifter plate ④ is fully pressed.
- 8.After adjustment,tighten the nut.

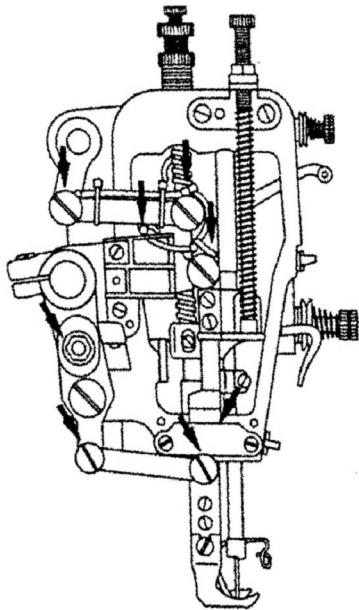
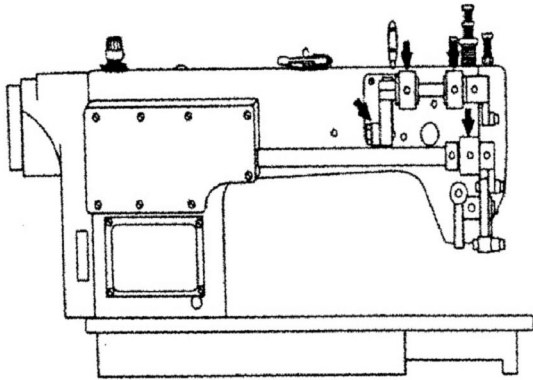
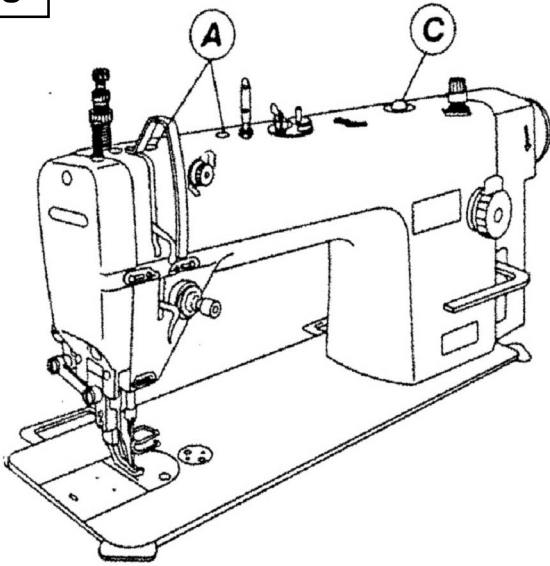


## 7. Lubrication(Fig.5)

- 1.Oil amount  
Please fill the oil according to the mark indicated on the oil pan.Mark(A)means the highest position.Mark(B)means the lowest position.if the oil amount is lower than the Mark (B),oil will not be pumped and machine will be jammed.
- 2.Fill the oil  
Please fill the 18#sewing oil into the oil pan until to the Mark(A)
- 3.Clean the oil
  - 1.Uninstall the screw(C),and drain out the used oil.
  - 2.Clean the oil pan,and tighten the screw(C),fill the fresh oil again according the requirement.



6



### 8. Test operation(Fig.6)

Carry out the test operation when start up a new sewing machine for the first time,or restart after a long period of non-use.

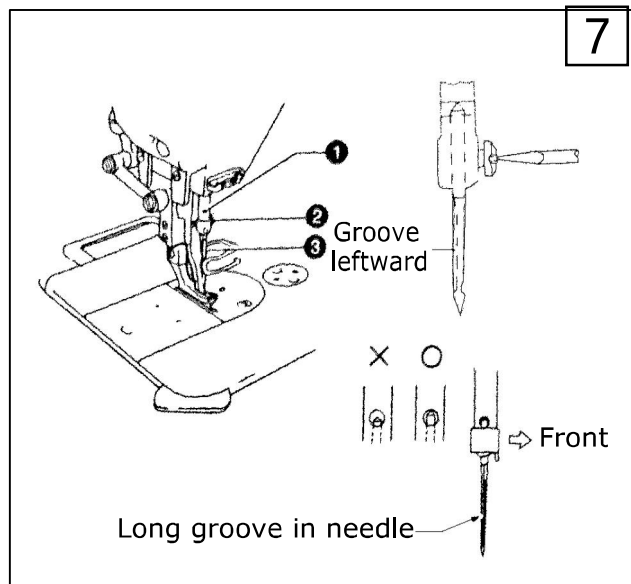
Remove the rubber cap (A) on the top of the arm and face plate,fully lubricate the parts showed by the arrows.

Install the face plate again,lift the presser foot and operate the machine at a lower speed of 1000-1500spm,and observe the oil running through the oil gauge window.

After one month,then the speed can be increased according to the different sewing operation.

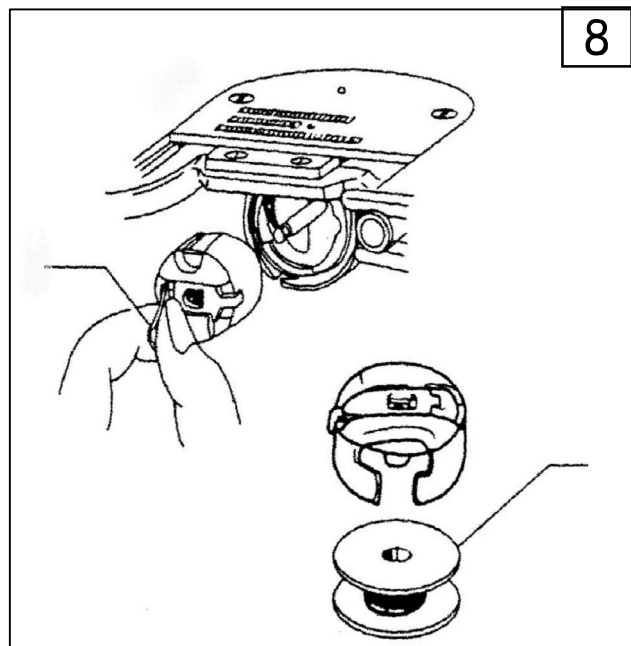
### 9. Installing the needle(Fig.7)

- 1.Turn the machine pulley to move the needle bar ① to it's highest position;
- 2.Loosen the screw ② .
- 3.Insert the needle ③ in a straight line as far as it will go,making sure that the long groove on the needle is at the left,and then securely tighten the screw②.



### 10. Removing the bobbin case (Fig.8)

- 1.Turn the machine pulley to lift the needle bar to its highest position,Pull the latch ① of the bobbin case upward and then put the bobbin into the bobbin case,finally insert the complete bobbin case with bobbin into the hook shaft.
- 2.To remove the bobbin case,pull the latch and draw the bobbin case out of the hook.

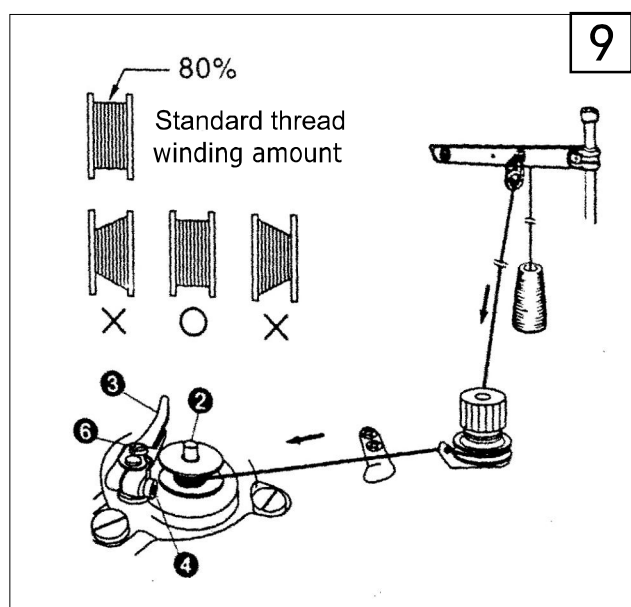


### 11. Winding the bobbin thread (Fig.9)

- 1.Turn the power on;
  - 2.Place the bobbin ① onto the bobbin winder shaft ②;
  - 3.Wind the thread several circles around the bobbin in the direction indicated by arrow;
  - 4.Push down the bobbin presser arm ③ ;
  - 5.Life the presser foot ;
  - 6.Depress the treadle , the winding operation will start;
  - 7.Once finished, the bobbin presser arm ③ will release automatically.
- \*If the thread winding is not neat and even,loosen the screw ④ to adjust the position of bobbin presser arm ③
- \*Turn the screw ⑥ to adjust the bobbin winding amount

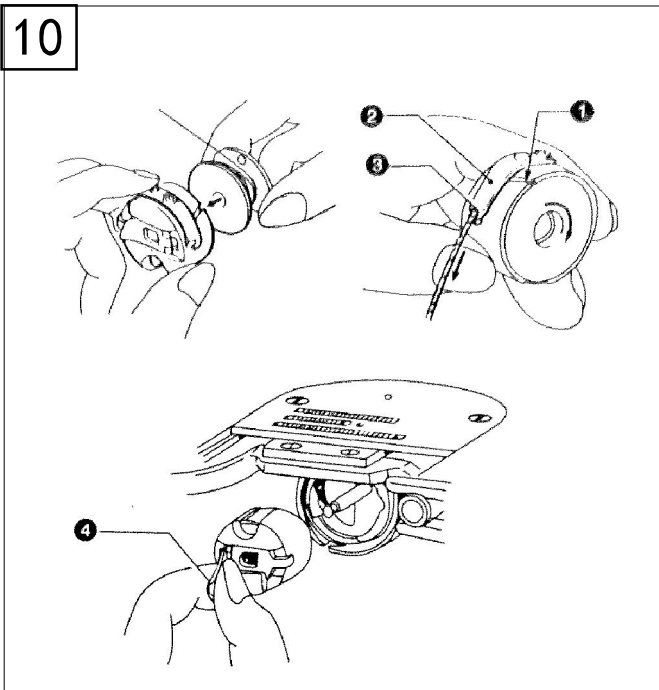
Note :

The proper winding amount shoule be around 80% of the bobbin capacity.





10

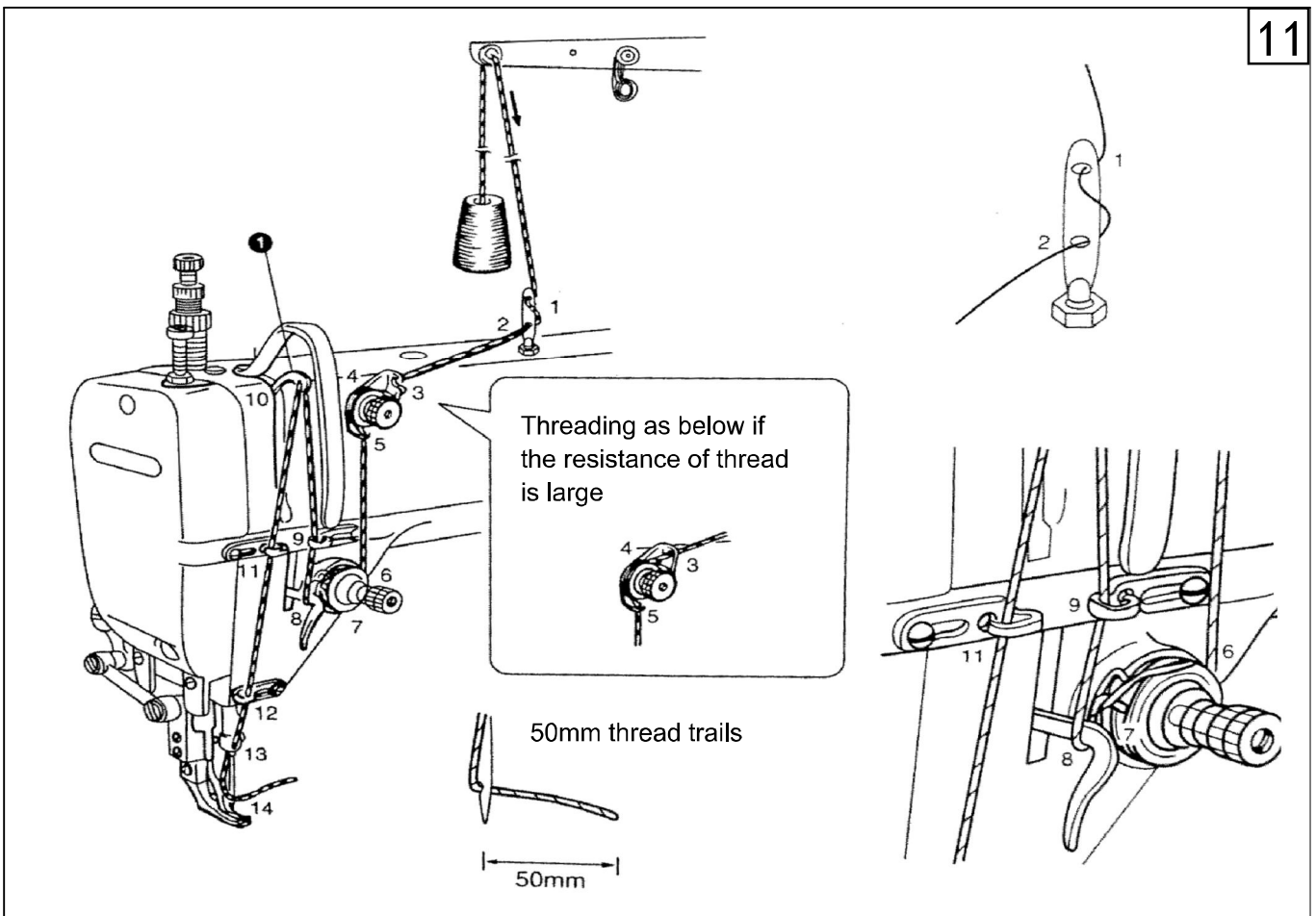


12. Threading the bobbin thread(Fig.10)

1. Turn the machine pulley to lift the needle to its highest position.
2. The bobbin thread should be right twist, place the bobbin into the bobbin case;
3. Pass the thread through the slot ① and spring plate ②, and finally pull it out of the notch ③ ;
4. Check that the bobbin should turn clockwise if the thread is pulled;
5. Hold the latch ④, and place the bobbin case in the hook.

13. Threading the needle thread(Fig.11)

Raise the thread take-up lever to its highest position. This will make threading easier and will prevent the thread from coming out at the sewing start.



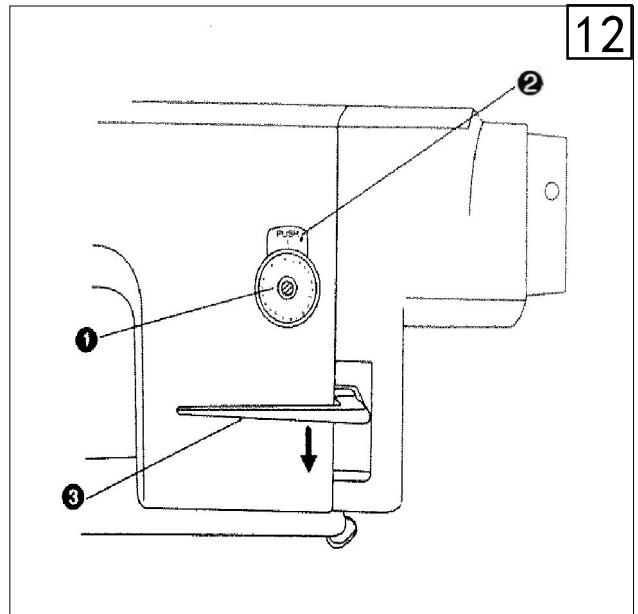
11

#### 14. Adjusting the stitch length(Fig.12)

While press the stopper ②,turn the stitch length dial ① to make the number on the dial align with the mark on the stopper ②. The number is the stitch length in mm.

\*The larger the number ,the longer the stitch length will be.

\*when turn the dial from a larger setting to a smaller setting,it will be easy to turn if the reverse lever ③ is pressed down.

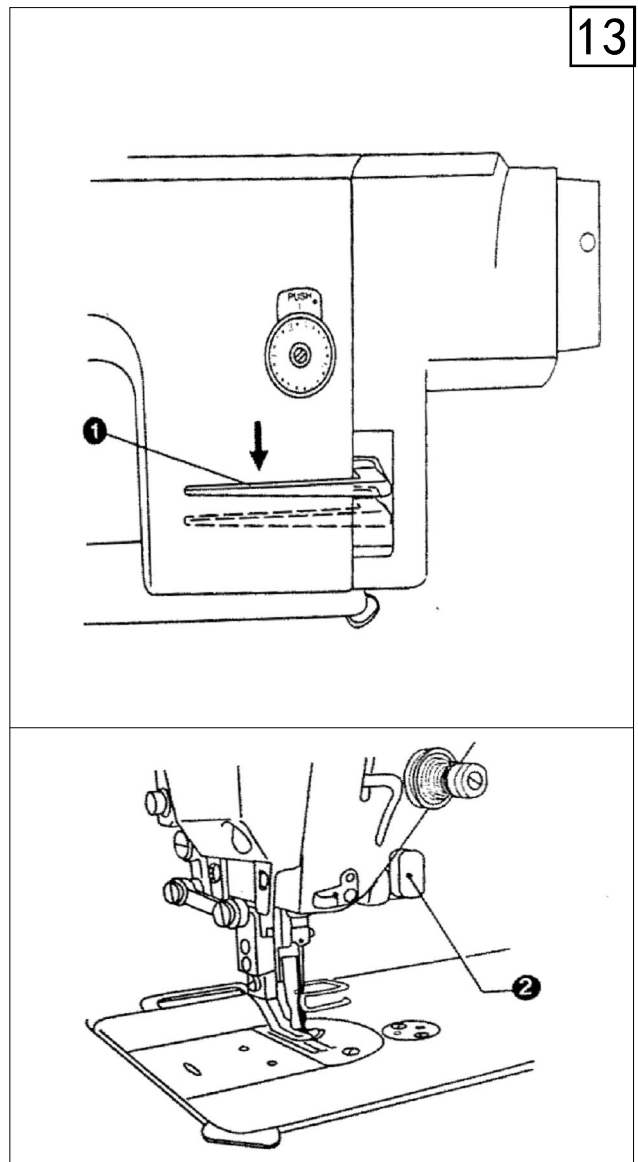


12

#### 15. Sewing and backtacking(Fig.13)

- 1.Turn the power on;
- 2.Depress the treadle to start sewing.

When the reverse lever ① is pressed or the backtacking button is on during sewing, the feed will be reversed.After release,the feed will recover to normal.



13

## 16. Adjusting the thread tension(Fig.14)

14

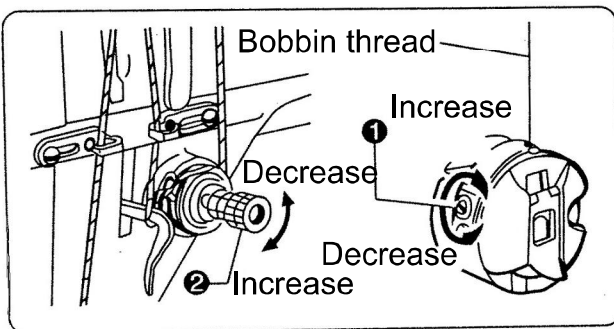
### Normal seam



- increase the needle thread tension
- decrease the bobbin thread tension



- decrease the needle thread tension
- increase the bobbin thread tension



### <Bobbin thread tension>

Adjust by turning the screw ① until the bobbin case drops gently by its own weight while the thread end coming out of the bobbin case is held

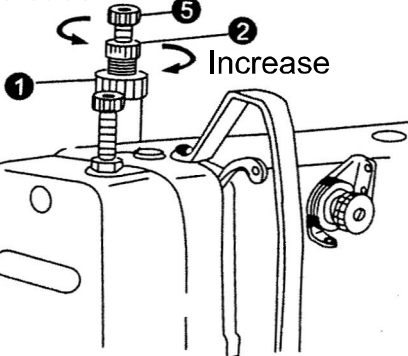
### <Needle thread tension>

After adjust the bobbin thread tension,adjust the needle thread tension so that a good,even stitch seam is obtained.

- 1.Lower the presser foot;
- 2.Adjust by turning the thread tension nut ②.

Decrease

15



## 17. Adjusting the presser foot pressure (Fig.15)

### <Adjusting the presser foot pressure>

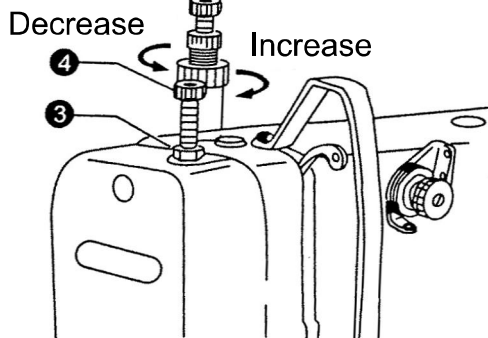
- 1.Loosen the lock nut ① ;
- 2.Turn the adjusting screw ② to adjust the pressure of presser foot,if it's not enough, please turn the screw ⑤ to increase the pressure.

\*The pressure should be as weak as possible,but strong enough so that the material doesn't slip.

- 3.Tighten the nut ①.

### <Adjusting the walking foot presser>

- 1.Loosen the nut ③ ;
- 2.Turn the screw ④ clockwise to increase the pressure,on the contrary,turn the screw counterclockwise to decrease the pressure;
- 3.Tighten the nut ③.

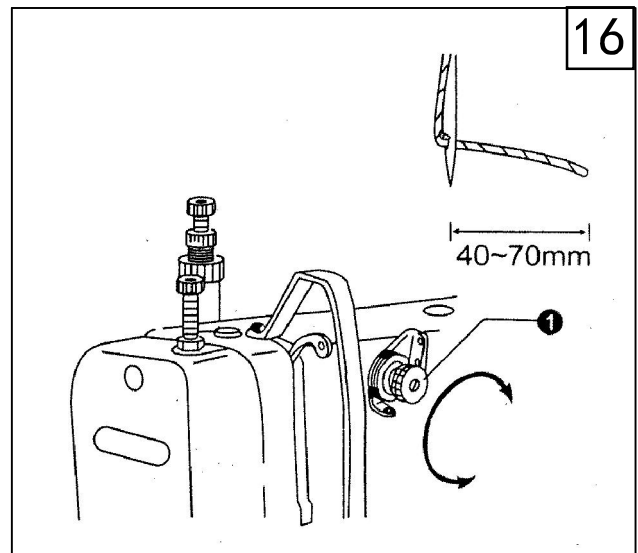


### 18. Adjusting the trailing length after thread trimming(Fig.16)

Turn the nut ① to adjust the trailing length  
\*At the time of thread trimming,the thread tension mechanism will release and the needle guide ①;

\*The standard trailing length for the needle thread is 40-70mm;

\*If increase the thread guide tension,the trailing length will be short;if decrease the thread guide tension,the trailing length will be longer.



### 19. Adjusting the thread tension spring(Fig.17)

\*The standard position of the thread tension spring ① is 5-8mm above the upper surface of the thread guide ③ when the presser foot ② is lowered.

1.Lower the presser foot ② ;

2.Loosen the screw ④;

3.Turn the thread tension bracket ⑤ to adjust the spring position;

4.Tighten the screw ④.

\*The standard tension of the spring is 0.3-0.6N.

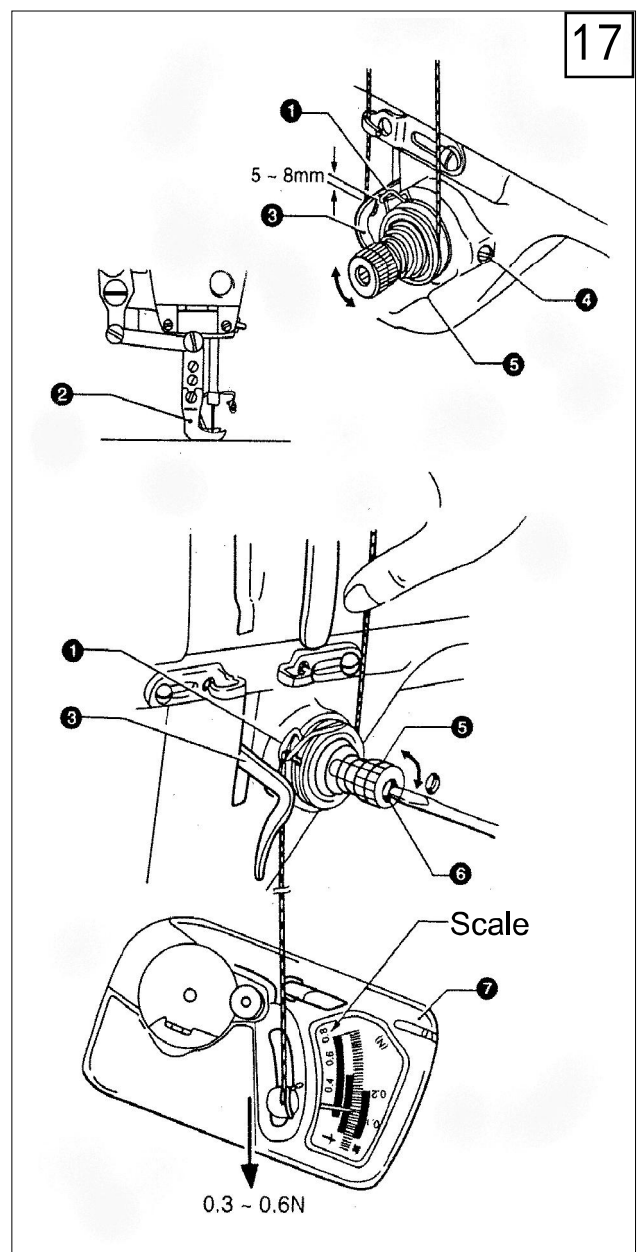
5.Push the needle thread with your finger until it is slightly higher than the thread tension bracket ⑤ and so that the upper thread is not pulled out;

6.Pull the needle thread down until the spring ① is at the same height with the upper surface of thread guide ③,and then measure thye tension of the spring.

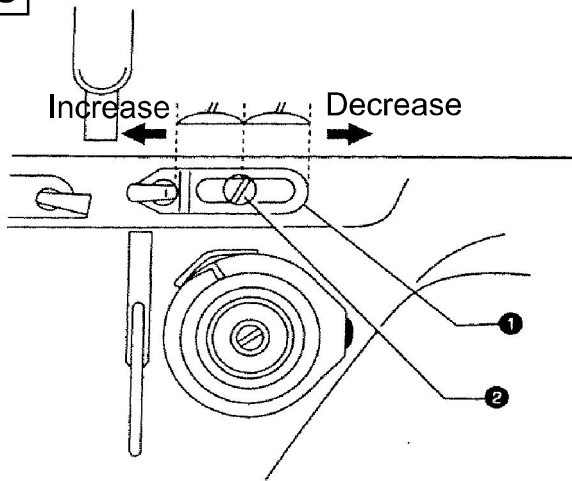
7.Insert a screwdriver into the slot of the thread tension stud ⑥,and turn the stud to adjust the tension of the spring ①.

Noto:

If using a tension gauge ⑦ to measure the tension,take the reading from the scale on the side of the red line.



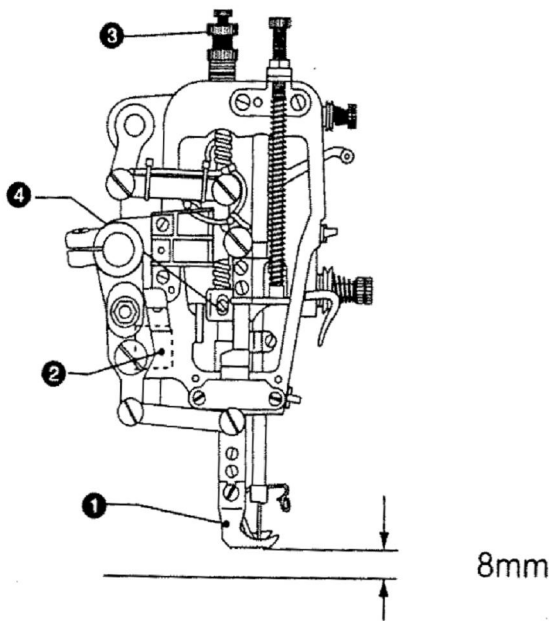
18



**20. Adjusting the upper thread guide(Fig.18)**

The standard position of upper thread guide ① is where the screw ② is in the center of the adjustable range of upper thread guide. To adjust the position,loosen the screw ② and move the thread guide. If stitch the heavy materials,move the thread guide leftward.(To increase the thread take-up tension) If stitch the light materials, move the thread guide rightward.(to decrease the thread take-up tension)

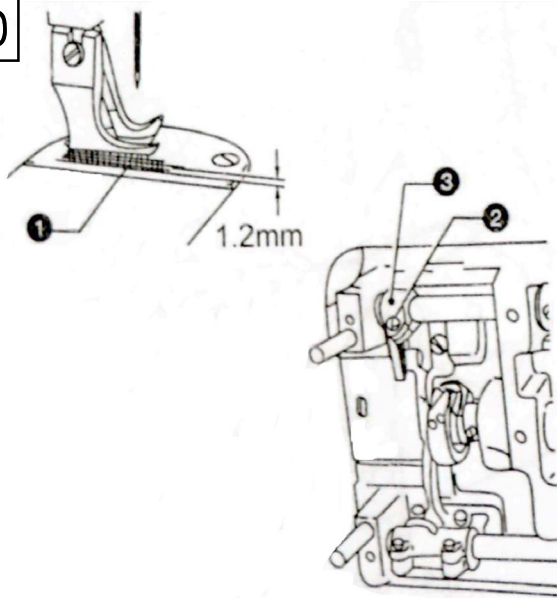
19



**21. Adjusting the presser foot height.(Fig.19)**

The standard height of predder foot ① is 8mm when it is lifted by hand .  
 1.Loosen the screw ③ to lift the presser bar  
 2.Put a measurement gauge with 8mm height under the presser foot;  
 3.Loosen the screw ④ and adjust the height of presser foot;  
 4.Tighten the screw ④.

20



**22. Adjusting the feed dog height (Fig.20)**

1.Set the stitch length maximum,when the feed dog ① is at its highest position above the needle plate,the standard height is 1.2mm  
 2.Loosen the screw ② and turn the feed lifting arm ③ to adjust the height of feed dog.

### 23. Adjusting the feed dog angle(Fig.21)

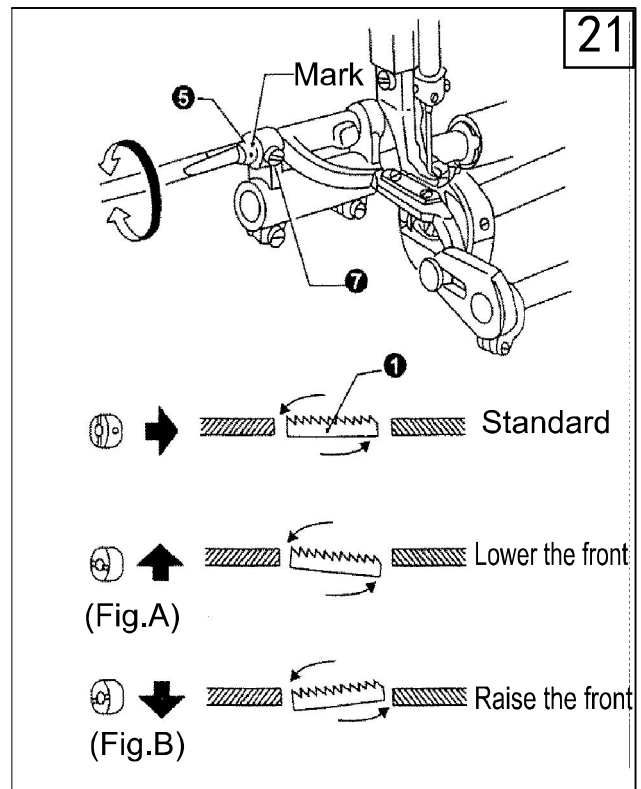
The standard angle of the feed dog is:when the feed dog is at its highest position above the needle plate,the Mark on the feed bracket shaft is on the horizontal position.

- 1.Turn the machine pulley to lift the feed dog to its highest position;
- 2.Loosen the screw ⑦ ;
- 3.Turn the feed bracket shaft in the direction of the arrow within a range of 90 with respect to the standard angle position.

\*In order to prevent puckering,lower the front of the feed dog (Fig.A)

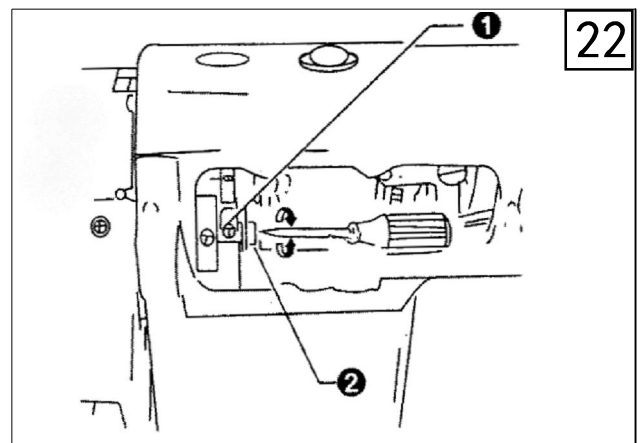
\*In order to keep the materials straight,raise the front of the feed dog (Fig.B)

- 4.Securely tighten the set screw ⑦ .
- It's necessary to adjust the feed dog height again after this adjustment.



### 24. Adjusting the difference of stitch length between the forward and backtacking(Fig.22)

- 1.Remove the rear cover;
  - 2.Loosen the screw ① and turn the connecting stud ②
- \*Turn the stud ② clockwise,the forward stitch length will be longer and the backtacking stitch length will be shorter;
- \*Turn the stud ② counterclockwise,the forward stitch length will be shorter and the backtacking stitch length will be longer;
- 3.Tighten the screw ①.

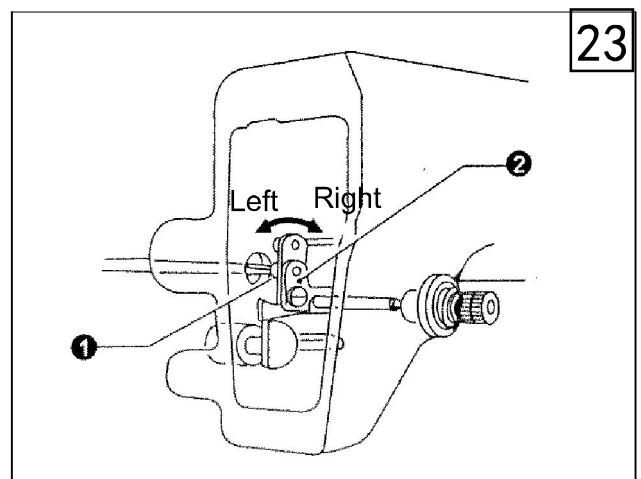


### 25. Adjusting the tension release(Fig.23)

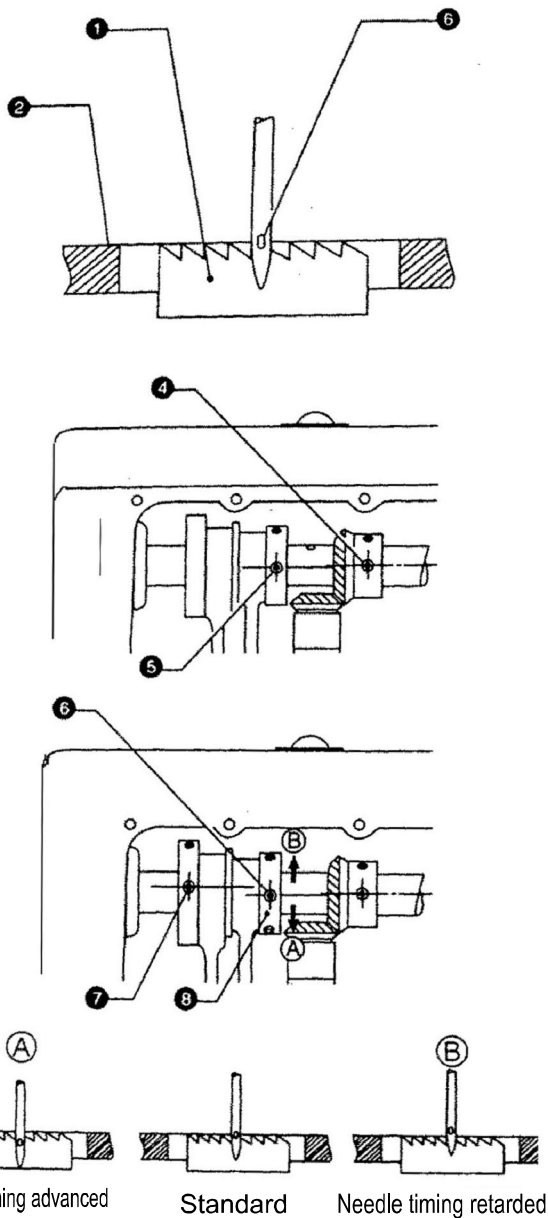
The opening time of the thread tension discs can be adjusted.

Remove the rubber cap on the rear of arm, and turn the screw ①,then the thread release cam ② can be moved left or right. Move the cam rightward,the release time will be slow

Move the cam leftward,the release time will be quick.



24

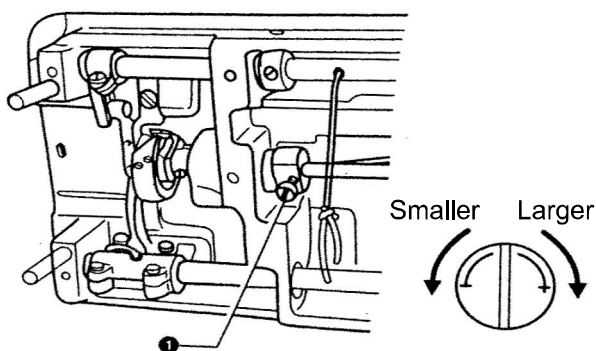


**26. Adjusting the timing of needle and feed mechanism (Fig.24)**

The standard timing is when the feed dog is lowered from its highest position until its flush with the top of the needle plate ②, and the needle eye ③ is also aligned horizontally with the surface. Adjust by changing the phases of feed cam and eccentric wheel UD

1. Remove the rear cover
  2. Turn the machine pulley in reverse direction, set the second screw ④ on the gear of upper shaft as reference mark, make the third screw ⑤ of eccentric wheel UD slightly lower than the reference mark screw ④;
  3. Continue to turn the machine pulley, set the second screw ⑥ of eccentric wheel UD as reference mark, make the third screw ⑦ of feed cam slightly higher than the reference mark screw ⑥.
  4. If need a non-timing position, loosen the three screw of eccentric wheel UD, adjust the eccentric cam ⑧ in the direction of arrow (A) or (B)
- To increase the tension of thread, turn the eccentric cam ⑧ to direction (A)  
 To avoid the needle bent, turn the eccentric cam ⑧ to direction (B)
5. After adjustment, tighten all of the screws.

25



**27. Adjusting the rotary hook lubrication amount (Fig.25)**

Tilt back the machine head, and turn the oil adjustment screw ① to adjust the hook oiling amount.

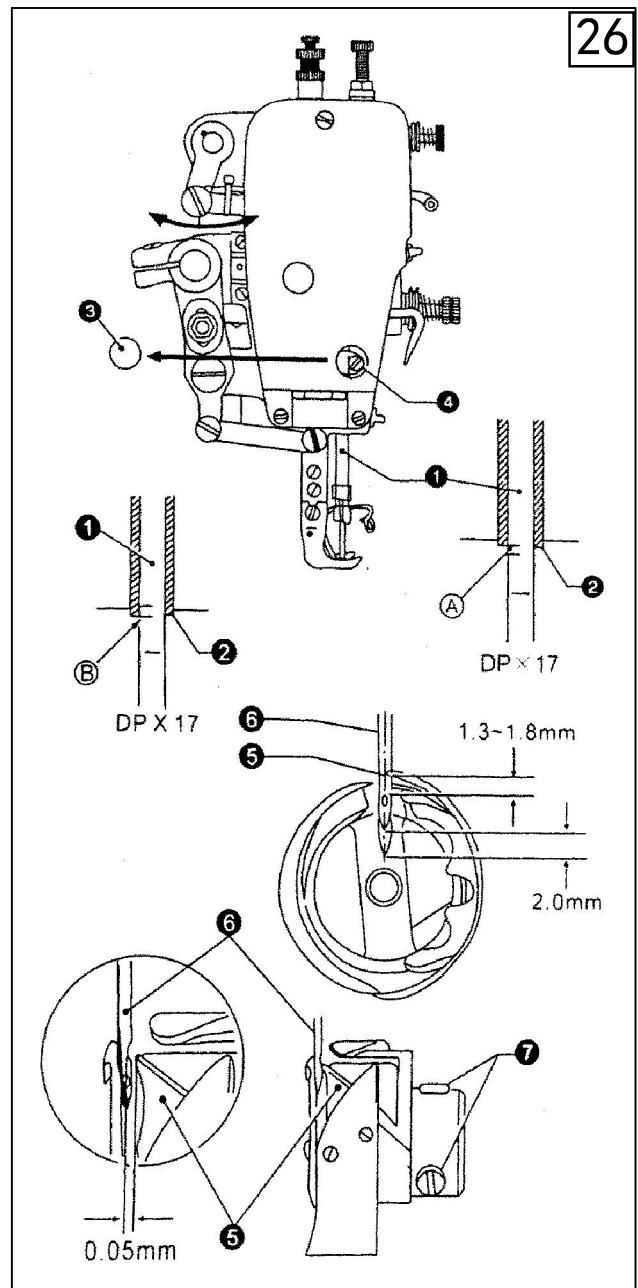
**28. Adjusting the height of needle bar and the timing with hook(Fig.26)**

When the needle bar ① is at its lowest position, the top reference line(A) on the needle bar should be aligned with the bottom edge of the needle bar bush ②.

1. Turn the machine pulley to lower the needle bar to its lowest position;
2. Take out the rubber cap ③;
3. Loosen the screw ④, and move the needle bar ① to proper position;
4. Tighten the screw ④;
5. Close the rubber cap ③.

Lift the needle bar ① from the lowest position, when the second reference line (B) on the needle bar is aligned with the bottom edge of the needle bar bush ②, the tip ⑤ of the hook should be aimed at the center of needle ⑥.

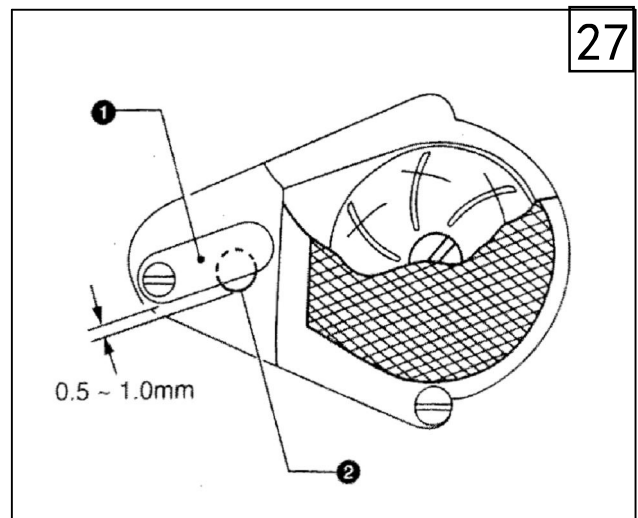
1. Turn the machine pulley to raise the needle bar ① from its lowest position until the reference line(B) is aligned with the bottom edge of the needle bar bush ②
- \*When the needle bar moves up 2mm, the clearance between the upper pf needle hole and the hook tip should be 1.3-1.8mm
2. Loosen the screw ⑦, and make the hook tip aimed at the center of needle ⑥, the clearance between the hook tip and needle should be 0.05mm.
3. Tighten the screw ⑦.



26

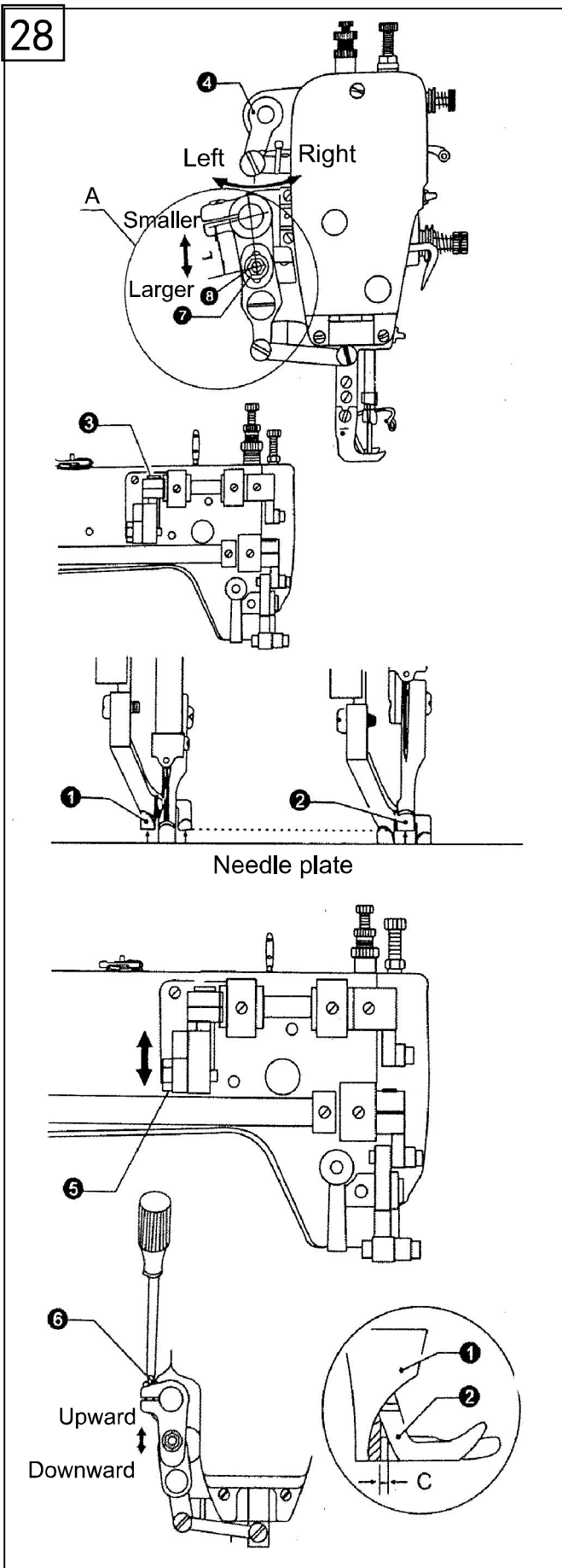
**29. Adjusting the oil pump(Fig.27)**

If the oil is not circled observed from the oil gauge window at a lower sewing speed, turn the oil adjustment plate ① to cover the oil hole ②.



27





## 30. Adjusting the lifting amount of presser feet(Fig.28)

1.Vertical movement of presser foot and walking foot

\*The walking foot ① and presser foot ② move vertically one after another

\*Usually the stroke of walking foot and presser foot is same or the stroke of presser foot is slightly lower.

Place the thread take-up lever at the lowest position, and lower the presser bar lifter, loosen the screw ③ and move the upper feed lifting cam ④.

Move it rightward to make the stroke of two feet be equal

Move it leftward to make the stroke of presser foot be smaller.

2.Adjusting the lifting amount of presser feet  
Adjust the lifting amount of two feet to match the materials to be sewn.

Loosen the screw ⑤, and move the screw upward to increase the lifting amount of move the screw downward to decrease the lifting amount.

3.Adjusting the forward /backward clearance of the two feet

To keep the front groove of walking foot not strike the rear of the presser foot, the clearance of C must be kept about 3mm. Loosen the screw of feed arm R, and then turn the feed rock shaft ⑥ to adjust.

4.Adjusting the feed amount of walking foot (Fig.A)

\*The standard ration of feed amount between feed dog and walking foot is 1:1

The feed amount of walking foot can be adjusted to suit for the materials to be sewn.

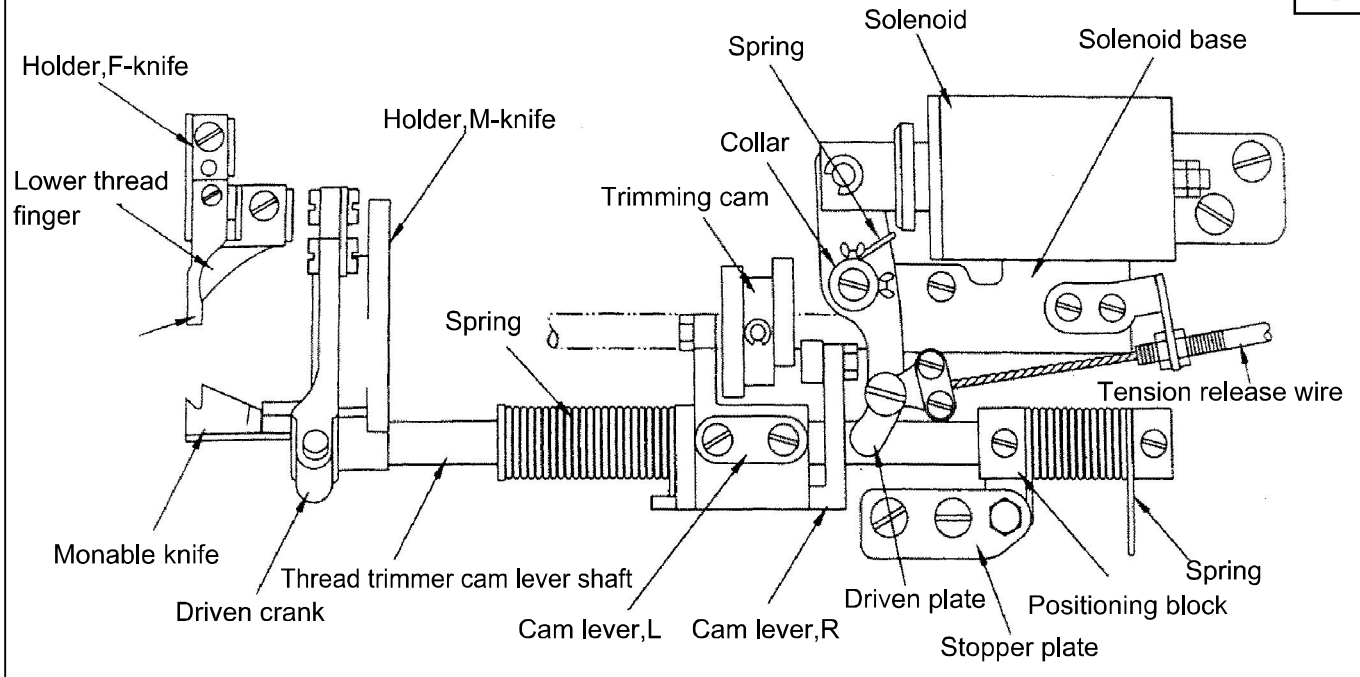
Loosen the nut ⑦, and move the slide block ⑧  
Upward: decrease the distance L to make the feed amount be smaller

Downward: increase the distance L to make the feed amount be larger

## 31. Adjusting the trimming mechanism(Fig.29)

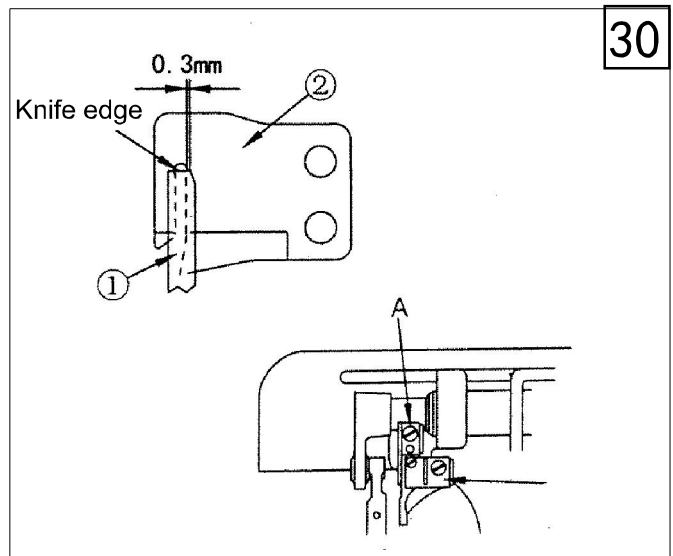
### 1. Trimming mechanism(Fig.29)

29



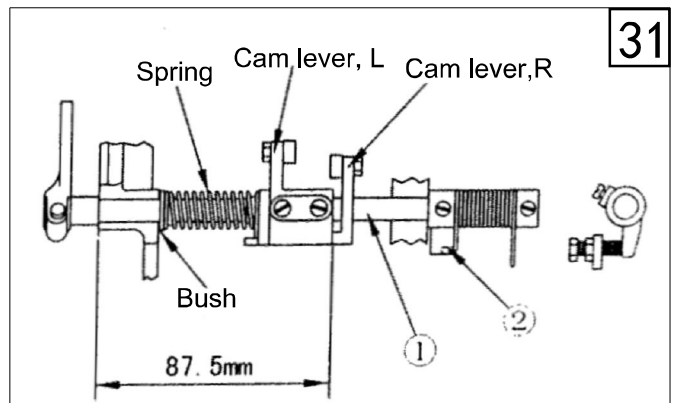
### 2. The relation between fixed knife and movable knife(Fig.30)

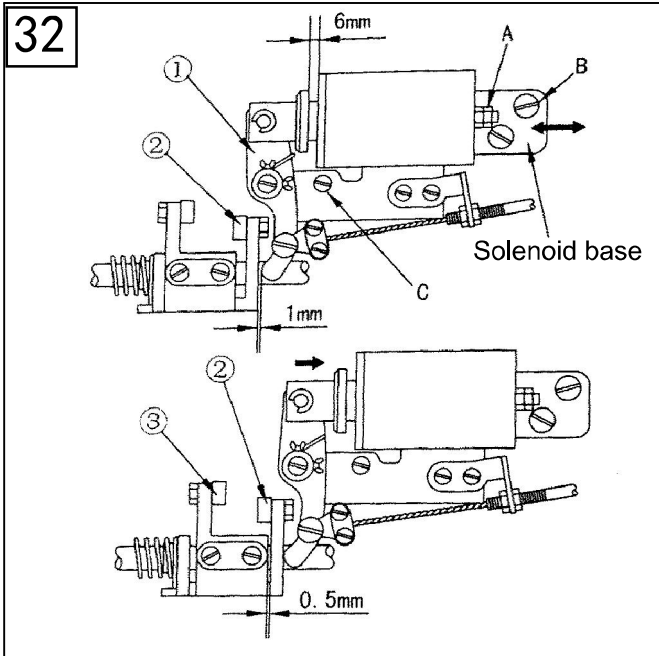
- (1) The clearance between fixed knife ① and movable knife ② should be 0.3mm
- (2) Adjust the position illustrated by the Fig.30
- (3) Move the bobbin case opener and adjust the holder of fixed knife.



### 3. Thread trimmer cam lever shaft(Fig.31)

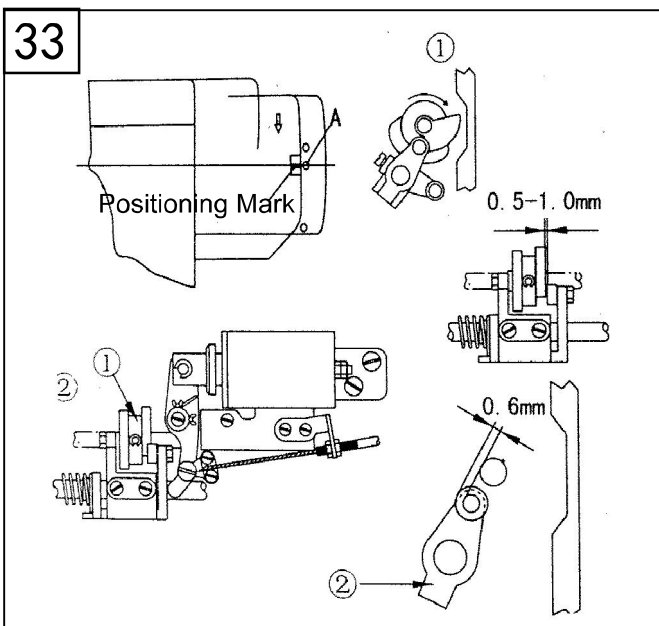
- (1) Install the shaft ① on the machine bed first;
- (2) Install the cam lever L on the shaft ① as illustrated;
- (3) Slightly turn the shaft ①, and install the positioning block ② as illustrated.





#### 4. Installing the trimming solenoid(Fig.32)

- (1)The stroke of solenoid
  - a.The standard stroke is 6.0mm
  - b.Turn the nut (A) to adjust the stroke
- (2)Installing the solenoid
  - a.Fixed the solenoid by the screw B and C;
  - b.Be sure to keep the clearance between the driven plate ① and cam lever R ② 1mm;
  - c.When the solenoid is active,there should be a 0.5mm clearance between the cam lever L ③ and cam lever R ②. If need to adjust,please move the solenoid base shown by the arrow.

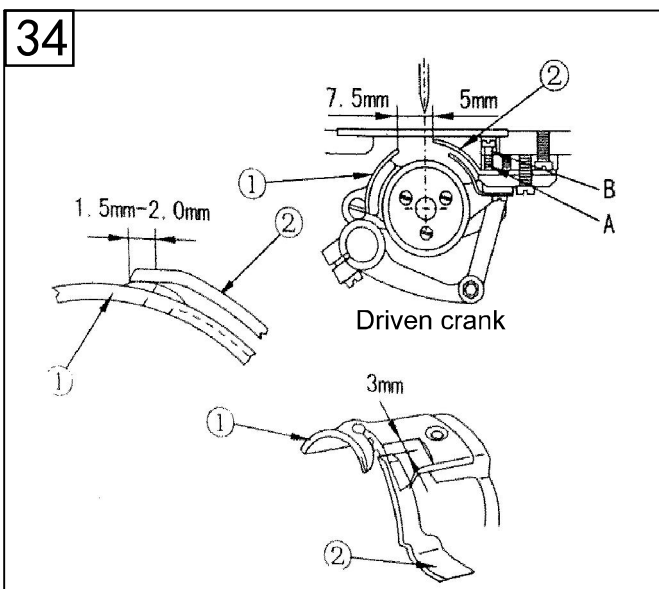


#### 5.Installing the trimming cam(Fig.33)

- (1)Align the second mark A on the machine pulley with the Positioning Mark on the arm;
- (2)Set the solenoid active and turn the trimming cam ① until the cam is touched with the roller,then fix the cam;
- (3)Set the solenoid inactive and make the cam lever ② restore to the original position, there should be a 0.5-1.0mm clearance between cam and roller.

#### 6.Adjusting the knices(Fig.34)

- (1)The relation between fixed knife and movable knife  
The clearance between movable knife ① and needle center is 7.5mm,and the clearance between fixed knife ② and needle center is 5mm.
- (2)Set the solenoid active,the movable knife ① will turn rightward driven by the trimming cam.  
When the movable knife ① moves to its left furthest position,the clearance between two knives ① and ② should be 1.5-2.0mm
- (3)Adjusting the trimming solenoid  
A.If the thread trimming not smoothly, especially the thick thread used,just need to increase the trimming pressure;  
B.Adjusting the trimming pressure:loosen the nut B,adjust the screw A to get the reasonable pressure.



### 32. Clean(Fig.35)

- 1.Raise the presser foot;
- 2.Remove the two screws ① and needle plate ②;
- 3.Clean the feed dog with a soft brush;
- 4.Install the needle plate ② by two screws ①.

5.Turn the machine pulley slowly and check if the needle drops into the hole center of needle plate

\*If not

- Check if the needle is bent
- Loosen the screw ①, and reinstall the needle plate ②

6.Turn the machine pulley and lift the needle above the needle plate,check if the needle tip is blunt,if yes,change a new one.

7.Tilt back the machine head

8.Remove the bobbin case ④

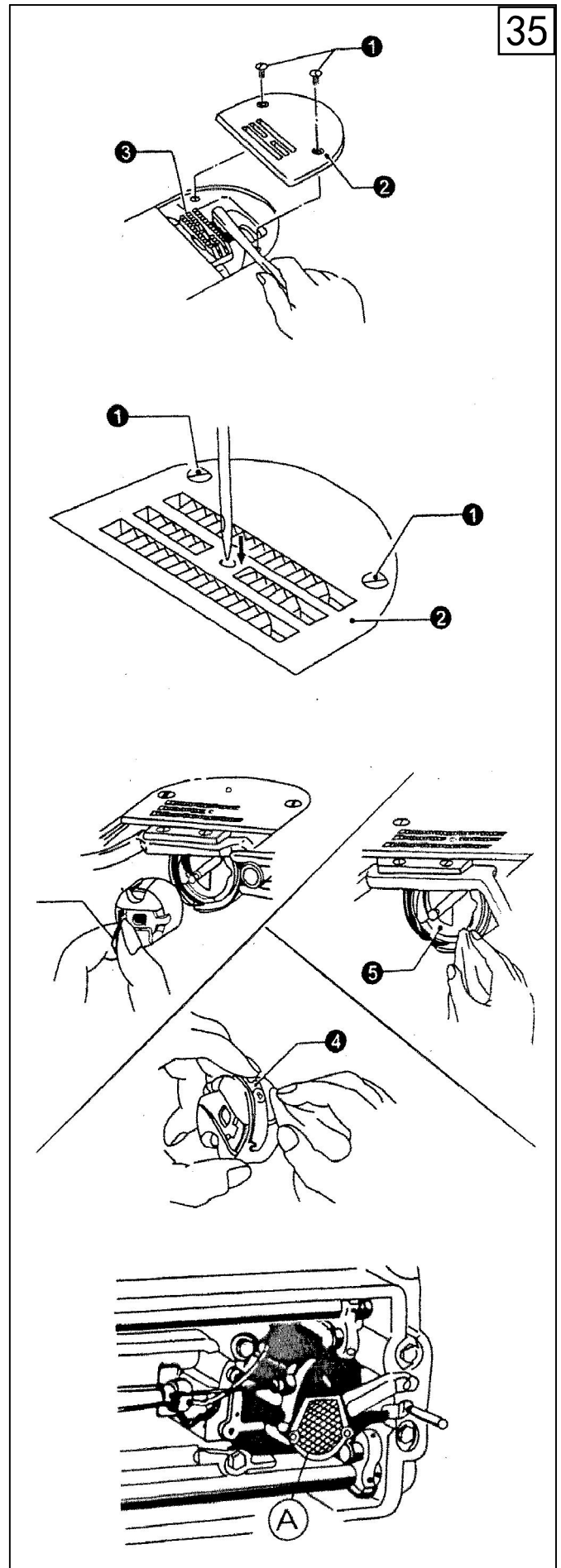
9.Clean the hook with a soft cloth and check if the hook is worn out

10.Take out the bobbin from the bobbin case, and clean the bobbin case with a soft cloth

11.Insert the bobbin into the bobbin case and place the bobbin case back into the machine

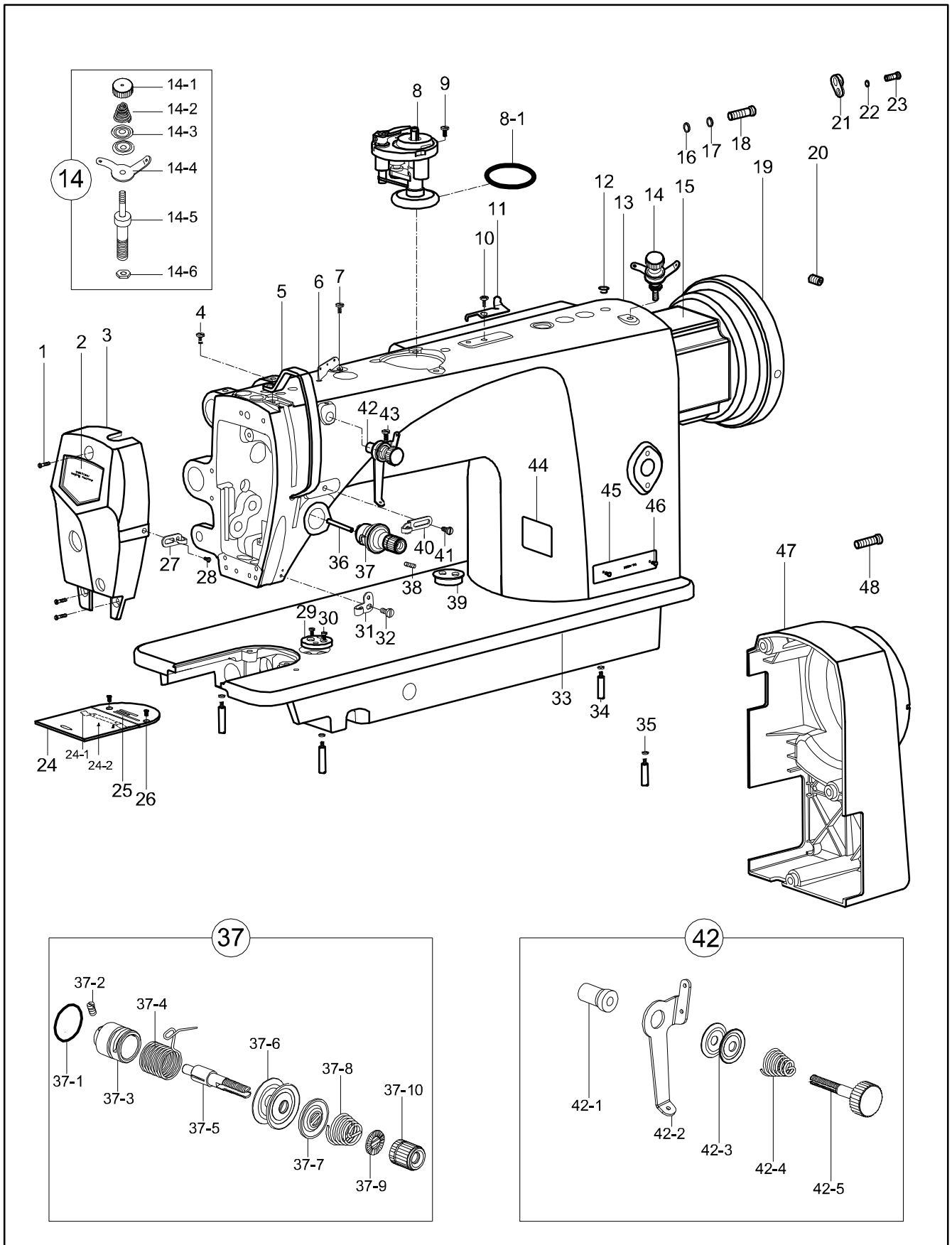
12.Clean the dust on the filter (A) of oil pump.

35



# Parts Manual

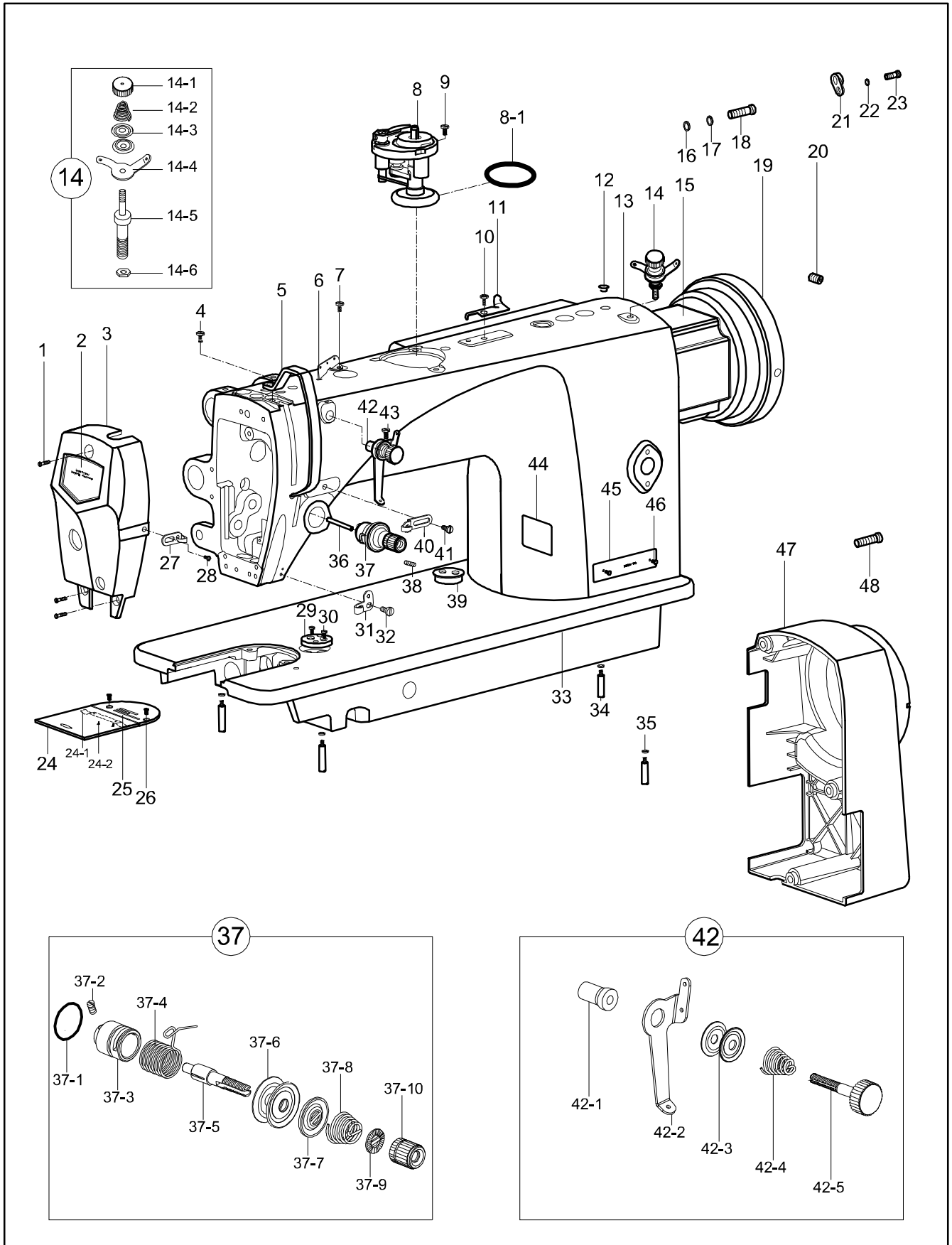
# 1. Casting mechanism



## 1. Casting mechanism

NO.	PartNumber	Name	Qt		Remark
			3995DD	3995AUT	
1	G11-1-1	Screw	3	3	
2	G11-1-2	Face plate	1	1	
3	G11-1-3	Face plate asm.	1	*	
	G12-1-3	Face plate asm.	*	1	
4	G11-1-4	Screw	1	1	
5	G11-1-5	Cover	1	1	
6	G11-1-6	Thread retainer	1	1	
7	G11-1-7	Screw	1	1	
8	G11-1-8	Bobbin winder	1	1	
(8-1)	G11-1-8-1	Rubber ring	1	1	
9	G11-1-9	Screw	3	3	
10	G11-1-10	Screw	1	1	
11	G11-1-11	Cutter	1	1	
12	G11-1-12	Rubber plug	1	1	Φ8.8
13	G11-1-13	Arm	1	*	
(13-1)	G12-1-13	Arm	*	1	
14	G11-1-14	Bobbin thread tension	1	1	
(14-1)	G11-1-14-1	Tension nut	1	1	
(14-2)	G11-1-14-2	Tension spring	1	1	
(14-3)	G11-1-14-3	Thread tension disk presser	2	2	
(14-4)	G11-1-14-4	Thread tension guide	1	1	
(14-5)	G11-1-14-5	Tension post	1	1	
(14-6)	G11-1-14-6	Tension nut	1	1	
15	G11-1-15	Motor asm.	1	*	550W
	G11-1-15	Motor asm.	*	1	750W
16	G11-1-16	Washer	4	4	
17	G11-1-17	Spring washer	4	4	
18	G11-1-18	Screw	4	4	
19	G11-1-19	Hand wheel	1	1	
20	G11-1-20	Screw	2	2	
21	G12-1-21	Magnets	*	1	
22	G12-1-22	Magnets washer	*	1	
23	G12-1-23	Screw	*	1	
24	G11-1-24	Slide plate assy	1	1	
(24-1)	G11-1-24-1	Spring plate	1	1	
(24-2)	G11-1-24-2	Screw	2	2	
25	G11-1-25	Needle plate	1	1	
26	G11-1-26	Screw	2	2	
27	G11-1-27	Thread guide	1	1	
28	G11-1-28	Screw	1	1	

# 1. Casting mechanism

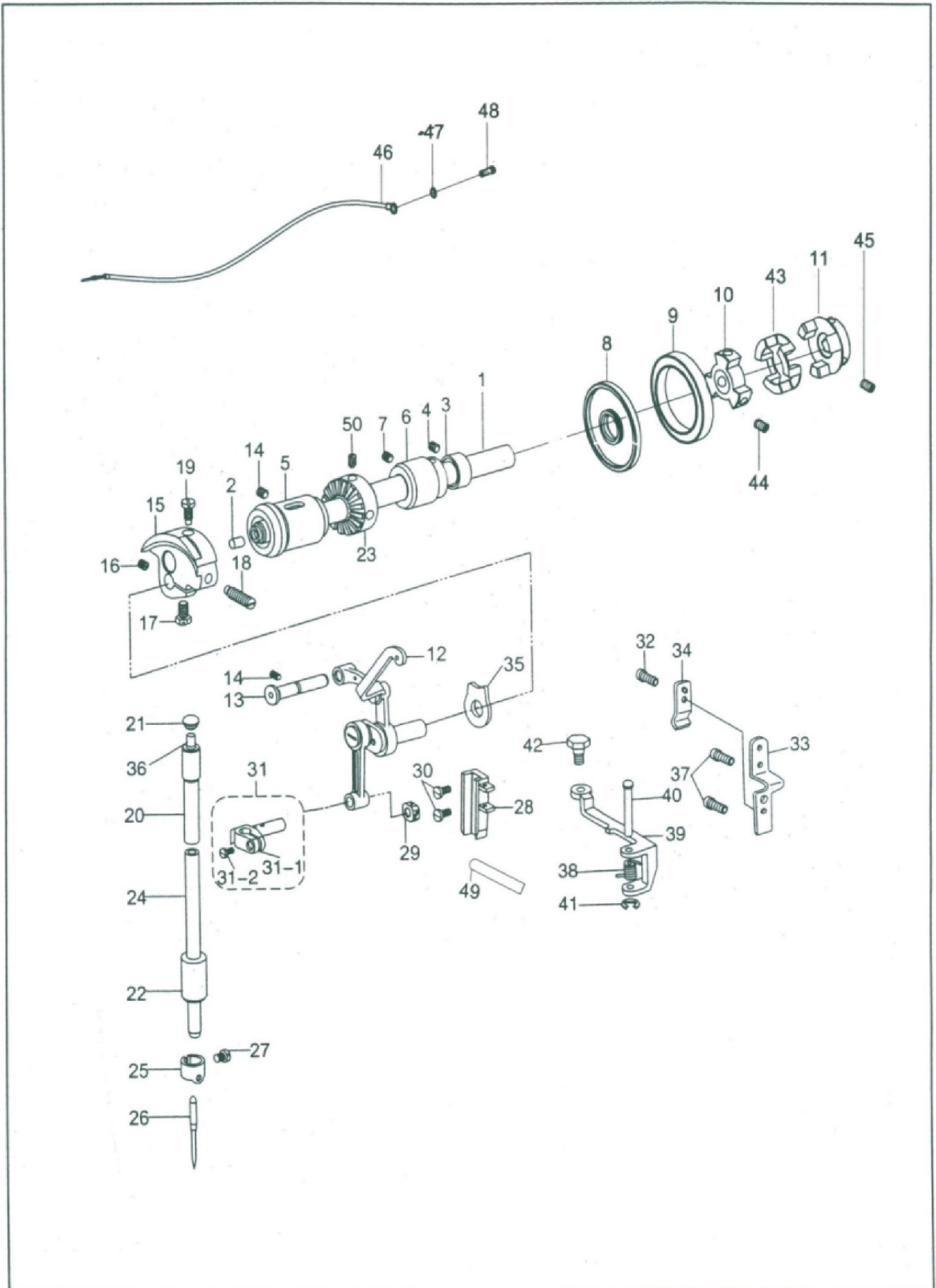




## 1. Casting mechanism

NO.	PartNumber	Name	Qt		Remark
			3995DD	3995AUT	
29	G11-1-29	Ruler plate	1	1	
30	G11-1-30	Screw	2	2	
31	G11-1-31	Thrad guide	1	1	
32	G11-1-32	Screw	1	1	
33	G11-1-33	Bed	1	*	
	G12-1-33	Bed	*	1	
34	G11-1-34	Bed leg	4	4	
35	G11-1-35	Washer, spring	4	4	
36	G11-1-36	Tension release pin	1	1	
37	G11-1-37	Thread tension	1	1	
(37-1)	G11-1-37-1	0 ring	1	1	
(37-2)	G11-1-37-2	Set screw	1	1	
(37-3)	G11-1-37-3	Thread tension bracket	1	1	
(37-4)	G11-1-37-4	Thrad take-up spring	1	1	
(37-5)	G11-1-37-5	Tension stud	1	1	
(37-6)	G11-1-37-6	Disc, tension	2	2	
(37-7)	G11-1-37-7	Disc, presser	1	1	
(37-8)	G11-1-37-8	Tension spring	1	1	
(37-9)	G11-1-37-9	Stopper	1	1	
(37-10)	G11-1-37-10	Tension nut	1	1	
38	G11-1-38	Set screw	1	1	
39	G12-1-39	Magnet cord rubber	*	1	
40	G11-1-40	Thrad guide	1	1	
41	G11-1-41	Screw	1	1	
42	G11-1-42	Screw	1	1	
(42-1)	G11-1-42-1	Tension disc	1	1	
(42-2)	G11-1-42-2	Thrad guide	1	1	
(42-3)	G11-1-42-3	Pre-tension stud	2	2	
(42-4)	G11-1-42-4	Tension spring	1	1	
(42-5)	G11-1-42-5	Adjusting screw	1	1	
43	G11-1-43	Set screw	1	1	
44	G11-1-44	Safetv label	1	1	
45	G11-1-45	Model plat	1	*	
	G12-1-45	Model plat	*	1	
46	G11-1-46	Pole	2	2	GB827-86 2.5*5
47	G11-1-47	Motor cover	1	*	
	G12-1-47	Motor cover	*	1	
48	G11-1-48	Screw	3	3	

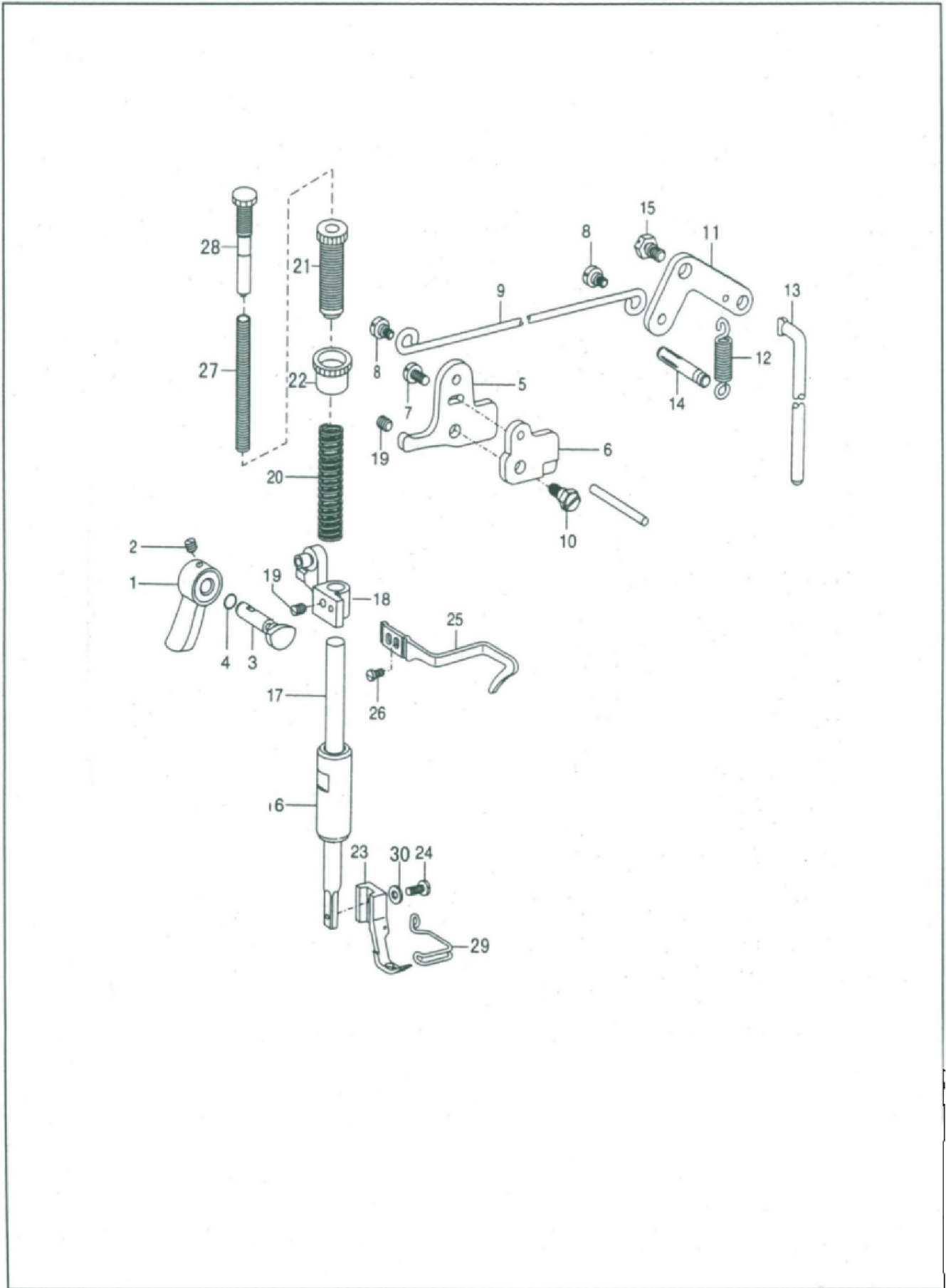
## 2. Needle bar and thread take-up mechanism



## 2. Needle bar and thread take-up mechanism

NO.	PartNumber	Name	Qt		Remark
			3995DD	3995AUT	
1	G11-2-1	Uuuper shaft	1	1	
2	G11-2-2	Rubber cap	1	1	
3	G11-2-3	Collar	1	1	
4	G11-2-4	Screw	2	2	
5	G11-2-5	Bush, L	1	1	
6	G11-2-6	Bush, M	1	1	
7	G11-2-7	Set screw	1	1	
8	G11-2-8	Bush, R	1	1	
9	G11-2-9	Oil seal	1	1	
10	G11-2-10	Connect block A	1	1	
11	G11-2-11	Connect block B	1	1	
12	G11-2-12	Thread take-up lever set	1	1	
13	G11-2-13	Support shaft	1	1	
14	G11-2-14	Set screw	1	1	
15	G11-2-15	Thread take-up crank	1	1	
16	G11-2-16	Screw	1	1	
17	G11-2-17	Screw	1	1	
18	G11-2-18	Screw	1	1	
19	G11-2-19	Screw	1	1	Φ8.8
20	G11-2-20	Bush, U	1	1	
21	G11-2-21	Rubber cap	1	1	
22	G11-2-22	Bush, D	1	1	
23	G11-2-23	Friction wheel	1	1	
24	G11-2-24	Needle bar	1	1	
25	G11-2-25	Thread guide	1	1	
26	G11-2-26	Needle	1	1	DP*17 23 #
27	G11-2-27	Set screw	1	1	
28	G12-2-28	Guide	*	1	
29	G11-2-29	Slide block	1	1	
30	G12-2-30	Screw	*	2	
31	G11-2-31	Needle bar clamp assy	1	1	
(31-1)	G11-2-31-1	Needle bar clamp	1	1	
(31-2)	G11-2-31-2	Set screw	1	1	
32	G12-2-32	Screw	*	1	
33	G12-2-33	Wire holder. U	*	1	
34	G12-2-34	Wire holder. D	*	1	
35	G11-2-35	Washer	1	1	
36	G11-2-36	Felt	1	1	
37	G12-2-37	Screw	*	2	
38	G12-2-38	Spring	*	1	
39	G12-2-39	Tension release plate	*	1	
40	G12-2-40	Tension release pin	*	1	
41	G12-2-41	Retaining ring	*	1	
42	G11-2-42	Screw	1	1	
43	G11-2-43	Connect ru	1	1	
44	G11-2-44	Screw	3	3	
45	G11-2-45	Screw	3	3	
46	G11-2-46	Ground wire assy	1	1	
47	G11-2-47	Washer	1	1	
48	G11-2-48	Screw	1	1	
49	G11-2-49	Tension release supporting pin	1	1	
50	G11-2-50	Washer	2	2	

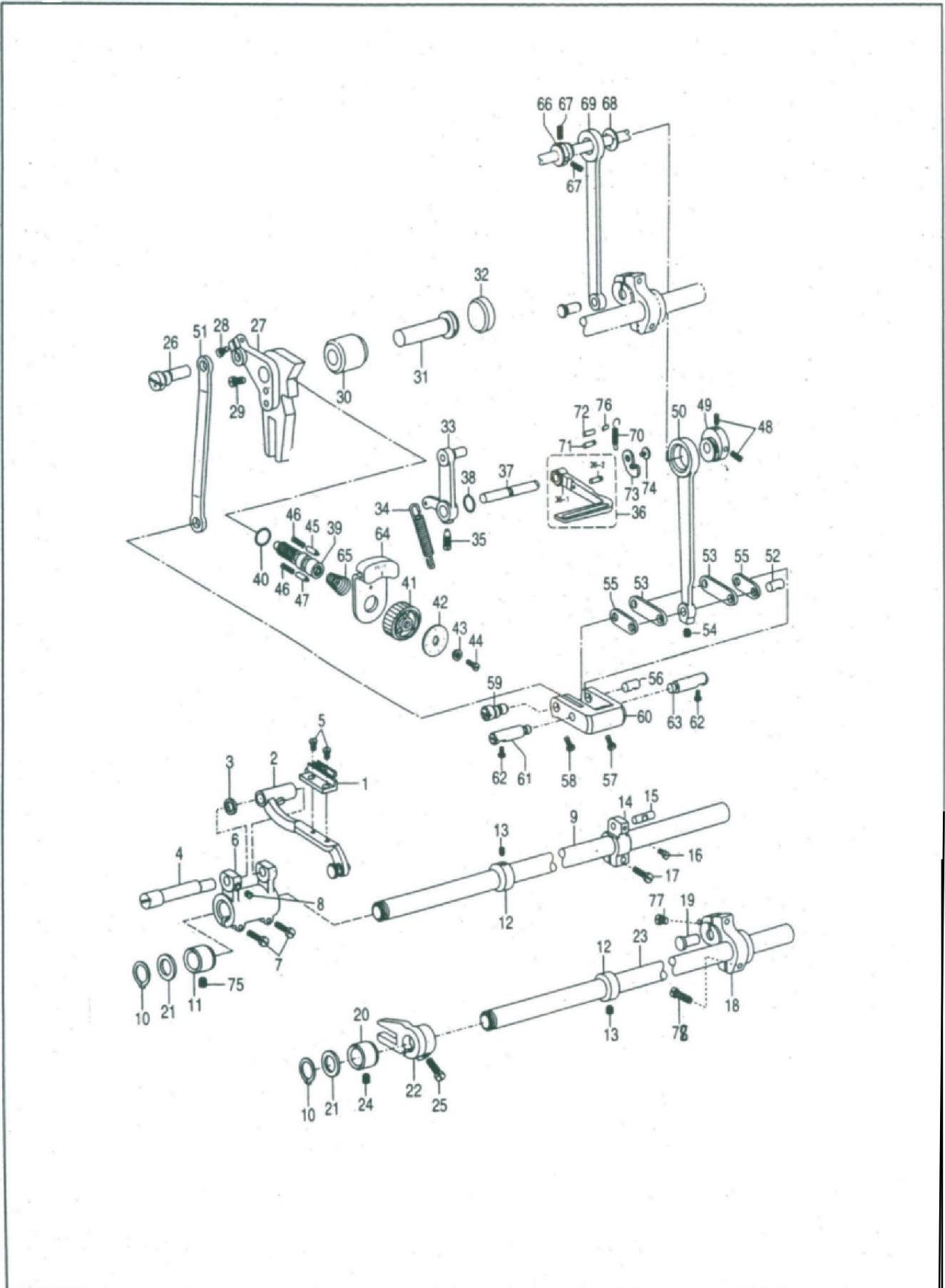
### 3. Presser foot mechanism



### 3. Presser foot mechanism

NO.	PartNumber	Name	Qt		Remark
			3995DD	3995AUT	
1	G11-3-1	Presser bar lifter	1	1	8*1.9
2	G11-3-2	Screw	1	1	
3	G11-3-3	Lifter lever	1	1	
4	G11-3-4	0 ring	1	1	
5	G11-3-5	Lifter lever	1	1	
6	G11-3-6	Guide paate	1	1	
7	G11-3-7	Screw	1	1	
8	G11-3-8	Screw	2	2	
9	G11-3-9	Collecting rod	1	1	
10	G11-3-10	Screw	1	1	
11	G11-3-11	Lever	1	1	
12	G11-3-12	Spring, extension	1	1	
13	G11-3-13	Knee lifter bar	1	1	
14	G11-3-14	Spring hook	1	1	
15	G11-3-15	Shoulder screw	1	1	
16	G11-3-16	Bush	1	1	
17	G11-3-17	Presser bar	1	1	
18	G11-3-18	Guide bracket	1	1	
19	G11-3-19	Screw	1	1	
20	G11-3-20	Spring, compression	1	*	
	G12-3-20	Spring, compression	*	1	
21	G11-3-21	Adjusting screw, presser	1	*	
	G12-3-21	Adjusting screw, presser	*	1	
22	G11-3-22	Adjusting nut, presser	1	*	
	G12-3-21	Adjusting nut, presser	*	1	
23	G11-3-23	Presser foot, inside	1	1	
24	G11-3-24	Screw	1	1	
25	G11-3-25	Thrad guide	1	1	
26	G11-3-26	Screw	1	1	
27	G12-3-27	Adjusting spring	*	1	
28	G12-3-28	Adjusting screw	*	1	
29	G11-3-29	Finger guard	1	1	
30	G11-3-30	Washer	1	1	

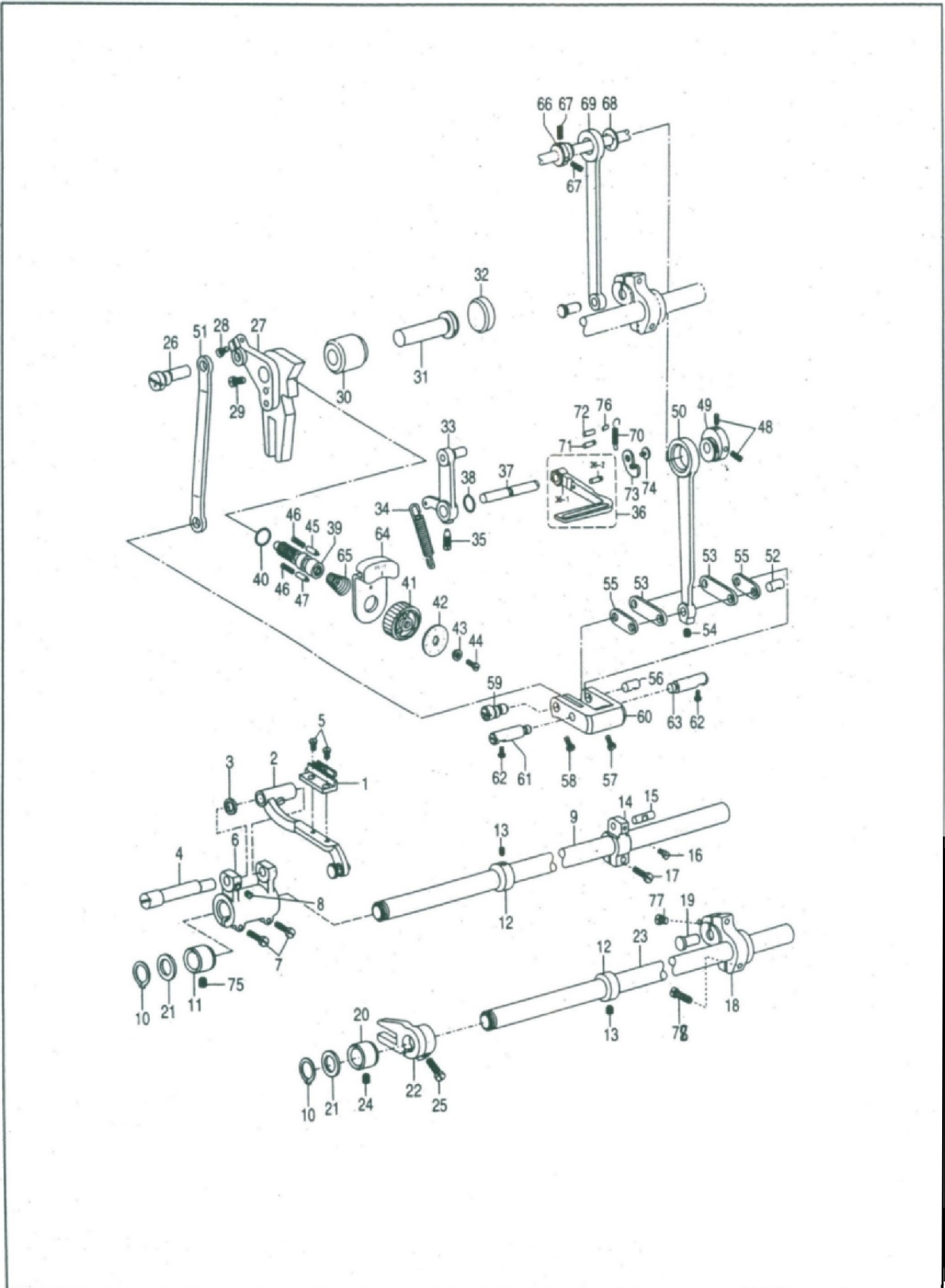
## 4. Feed mechanism



#### 4. Feed mechanism

NO.	PartNumber	Name	Qt		Remark
			3995DD	3995AUT	
1	G11-4-1	Feed dog	1	1	
2	G11-4-2	Feed bar	1	1	
3	G11-4-3	Washer	1	1	
4	G11-4-4	Shaft	1	1	
5	G11-4-5	Screw	2	2	
6	G11-4-6	Feed rock arm	1	1	
7	G11-4-7	Screw	2	2	
8	G11-4-8	Screw	1	1	
9	G11-4-9	Feed shaft	1	1	
10	G11-4-10	Retaining ring	2	2	GB894-86 15
11	G11-4-11	Bush, L	2	2	
12	G11-4-12	Collar	2	2	
13	G11-4-13	Set screw	4	4	
14	G11-4-14	Feed rock arm	1	1	
15	G11-4-15	Stud	1	1	
16	G11-4-16	Set screw	1	1	
17	G11-4-17	Screw	1	1	
18	G11-4-18	Feed lifting arm	1	1	
19	G11-4-19	Pin	1	1	
20	G11-4-20	Bush, L	1	1	
21	G11-4-21	Washer	2	2	
22	G11-4-22	Feed lifting arm	1	1	
23	G11-4-23	Shaft	1	1	
24	G11-4-24	Screw	1	1	
25	G11-4-25	Screw	1	1	
26	G11-4-26	Connecting stud	1	1	
27	G11-4-27	Feed regulator	1	1	
28	G11-4-28	Screw, L	1	1	
29	G11-4-29	Screw, S	1	1	
30	G11-4-30	Bush	1	1	
31	G11-4-31	Shaft	1	1	
32	G11-4-32	Rubber cap	1	1	ø15.7
33	G11-4-33	Pin assy. lever	1	1	
34	G11-4-34	Spring, extension	1	1	
35	G11-4-35	Screw	1	1	
36	G11-4-36	Reverse stitching lever assy.	1	*	
	G12-4-36	Reverse stitching lever assy.	*	1	
(36-1)	G12-4-36-1	Reverse stitching lever	1	1	
(36-1)	G12-4-36-2	Spring hook pin	1	1	
37	G11-4-37	Shaft	1	*	
	G12-4-37	Shaft	*	1	

## 4. Feed mechanism

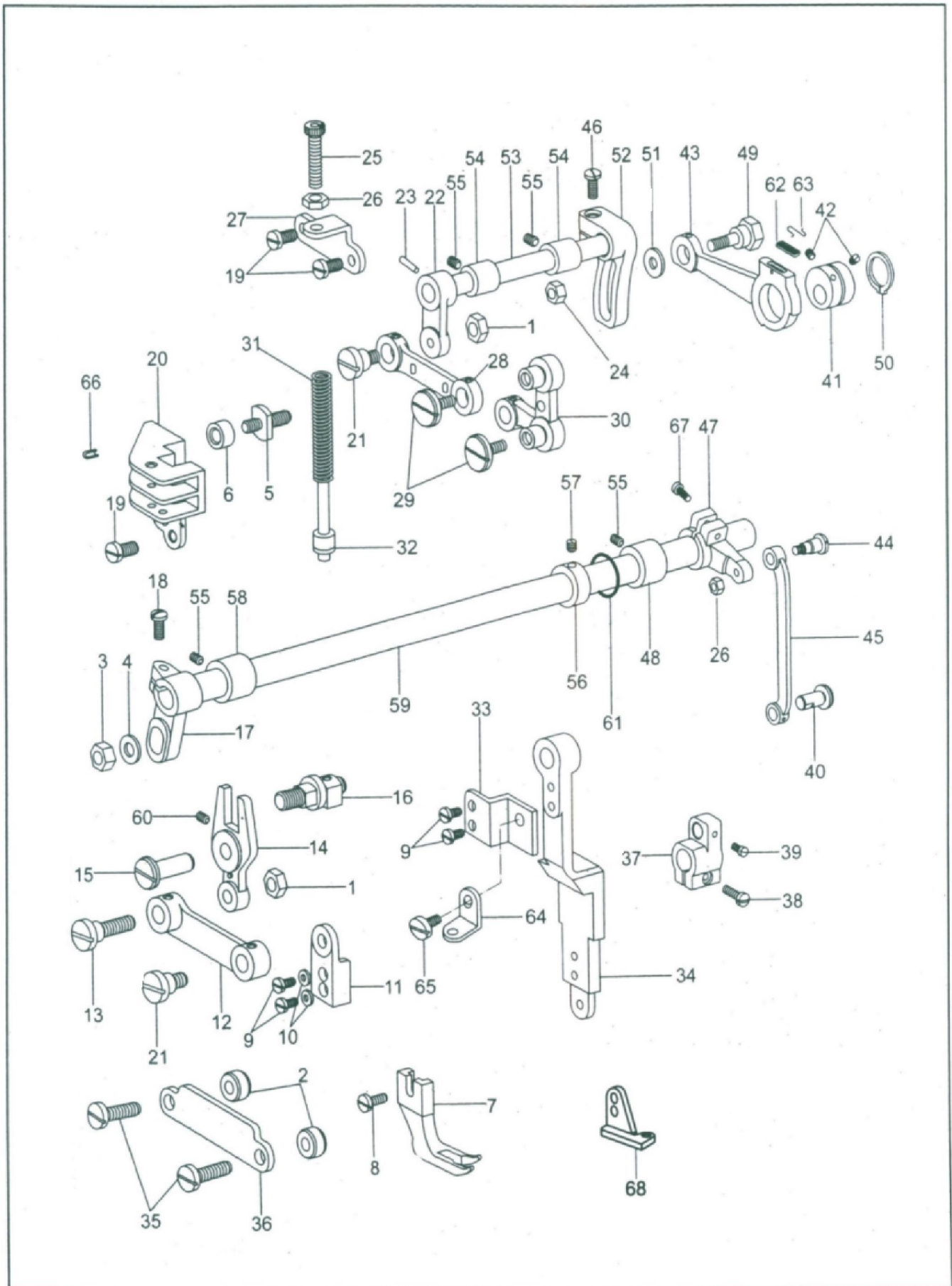




#### 4. Feed mechanism

NO.	PartNumber	Name	Qt		Remark
			3995DD	3995AUT	
38	G11-4-38	O ring	2	2	GB1235 $\phi 8 \times 1.9$
39	G11-4-39	Adjusting screw	1	1	
40	G11-4-40	O ring	2	2	GB1235 $\phi 14 \times 2.4$
41	G11-4-41	Stitch length dial	1	1	
42	G11-4-42	Stitch length plate	1	1	
43	G11-4-43	Support bush	1	1	
44	G11-4-44	Screw	1	1	
45	G11-4-45	Positioning pin	1	1	
46	G11-4-46	Spring	2	2	
47	G11-4-47	Stopper pin	1	1	
48	G11-4-48	Set screw	3	3	
49	G11-4-49	Feed cam	1	1	
50	G11-4-50	Feed connecting rod	1	1	
51	G11-4-51	Connecting rod	1	1	
52	G11-4-52	Stud	1	1	
53	G11-4-53	Link	2	2	
54	G11-4-54	Set screw	1	1	
55	G11-4-55	Link	2	2	
56	G11-4-56	Shaft	1	1	
57	G11-4-57	Screw	1	1	
58	G11-4-58	Screw	1	1	
59	G11-4-59	Shaft	1	1	
60	G11-4-60	Feed regulator crank	1	1	
61	G11-4-61	Pin shaft.L	1	1	
62	G11-4-62	Screw	1	1	
63	G11-4-63	Pin shaft.R	1	1	
64	G11-4-64	Stopper	1	1	
65	G11-4-65	Spring	1	1	
66	G11-4-66	Eccentric wheel	1	1	
67	G11-4-67	Screw	3	3	
68	G11-4-68	Holder	1	1	
69	G11-4-69	Feed lifting rod	1	1	
70	G12-4-70	Spring	*	1	
71	G12-4-71	Spring hook	*	1	
72	G12-4-72	Pin	*	1	
73	G12-4-73	Plate	*	*	
74	G12-4-74	Screw	*	*	
75	G11-4-75	Screw	1	1	
76	G12-4-76	Pin shaft	*	1	
77	G11-4-77	Screw	1	1	
78	G11-4-78	Screw	*	*	
79	G11-4-79	Screw	*	*	
80	G11-4-80	Screw	1	1	

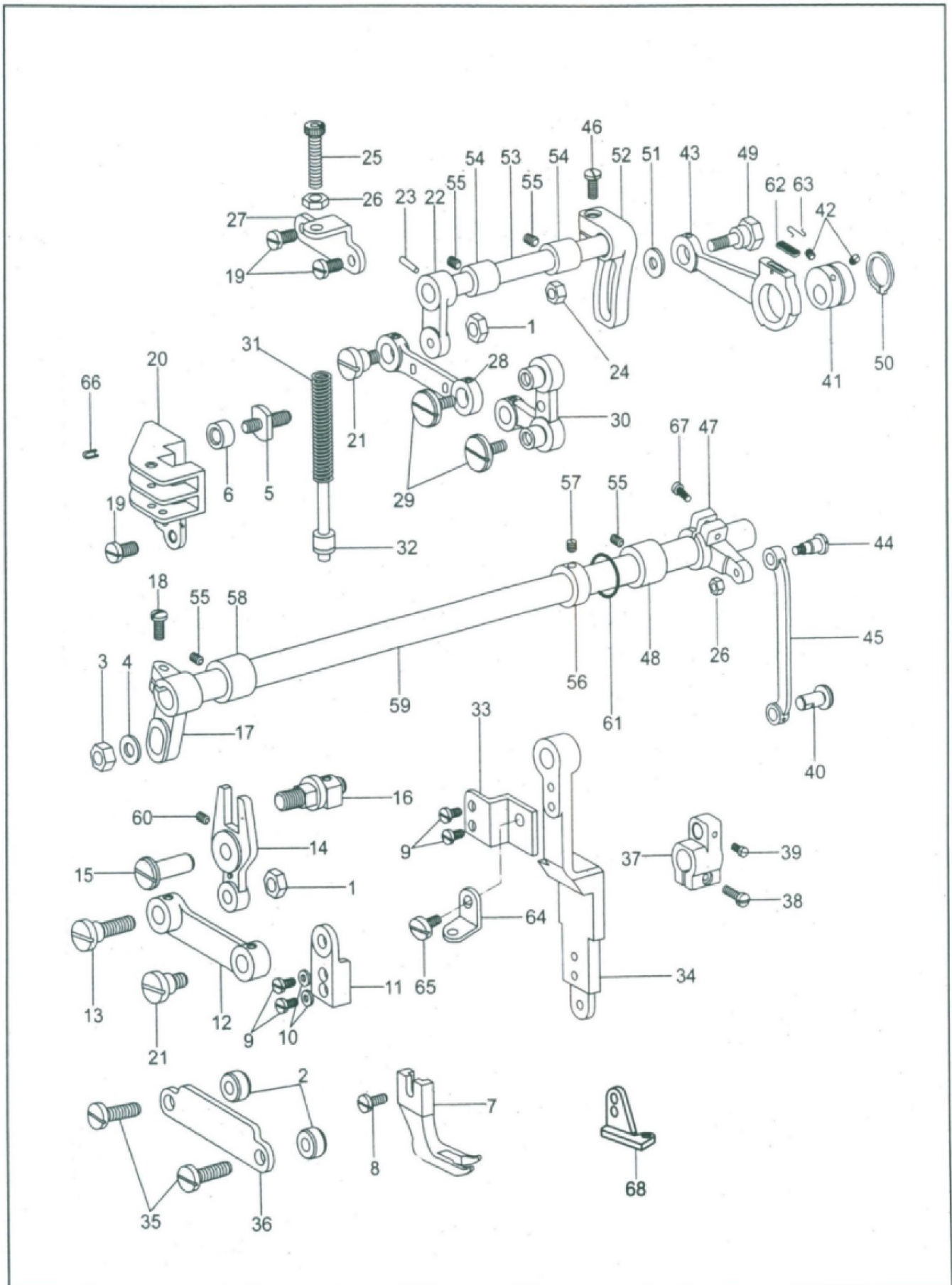
## 5. Upper feed mechanism



## 5. Upper feed mechanism

NO.	PartNumber	Name	Qt		Remark
			3995DD	3995AUT	
1	G11-5-1	Nut	1	1	
2	G11-5-2	Collar	2	2	
3	G11-5-3	Nut	1	1	
4	G11-5-4	Washer	1	1	6GB95-85
5	G11-5-5	Roller shaft	1	1	
6	G11-5-6	Roller	1	1	
7	G11-5-7	Walking foot	1	1	
8	G11-5-8	Screw	1	1	
9	G11-5-9	Screw	4	4	
10	G11-5-10	Washer	2	2	GB95-85 4
11	G11-5-11	Clamper	1	1	
12	G11-5-12	Link	1	1	
13	G11-5-13	Shoulder screw	1	1	
14	G11-5-14	Lever	1	1	
15	G11-5-15	Shaft	1	1	
16	G11-5-16	Roller shaft assy	1	1	
17	G11-5-17	Crank	1	1	
18	G11-5-18	Screw	1	1	
19	G11-5-19	Screw	4	4	
20	G11-5-20	Lever guide	1	1	
21	G11-5-21	Screw	2	2	
22	G11-5-22	Feed lifting arm crank, L	1	1	
23	G11-5-23	Pin	1	1	GB117-86 A4*20
24	G11-5-24	Nut	1	1	GB173-86 M6*0.75
25	G11-5-25	Screw	1	1	
26	G11-5-26	Nut	2	2	
27	G11-5-27	Bracket	1	1	
28	G11-5-28	Link	1	1	
29	G11-5-29	Screw	2	2	
30	G11-5-30	Feed lever	1	1	
31	G11-5-31	Spring, compression	1	1	
32	G11-5-32	Guide shaft	1	1	
33	G11-5-33	Holder plate	*	*	
34	G11-5-34	Connecting rod	1	1	
35	G11-5-35	Screw	2	2	
36	G11-5-36	Rod guide	1	1	

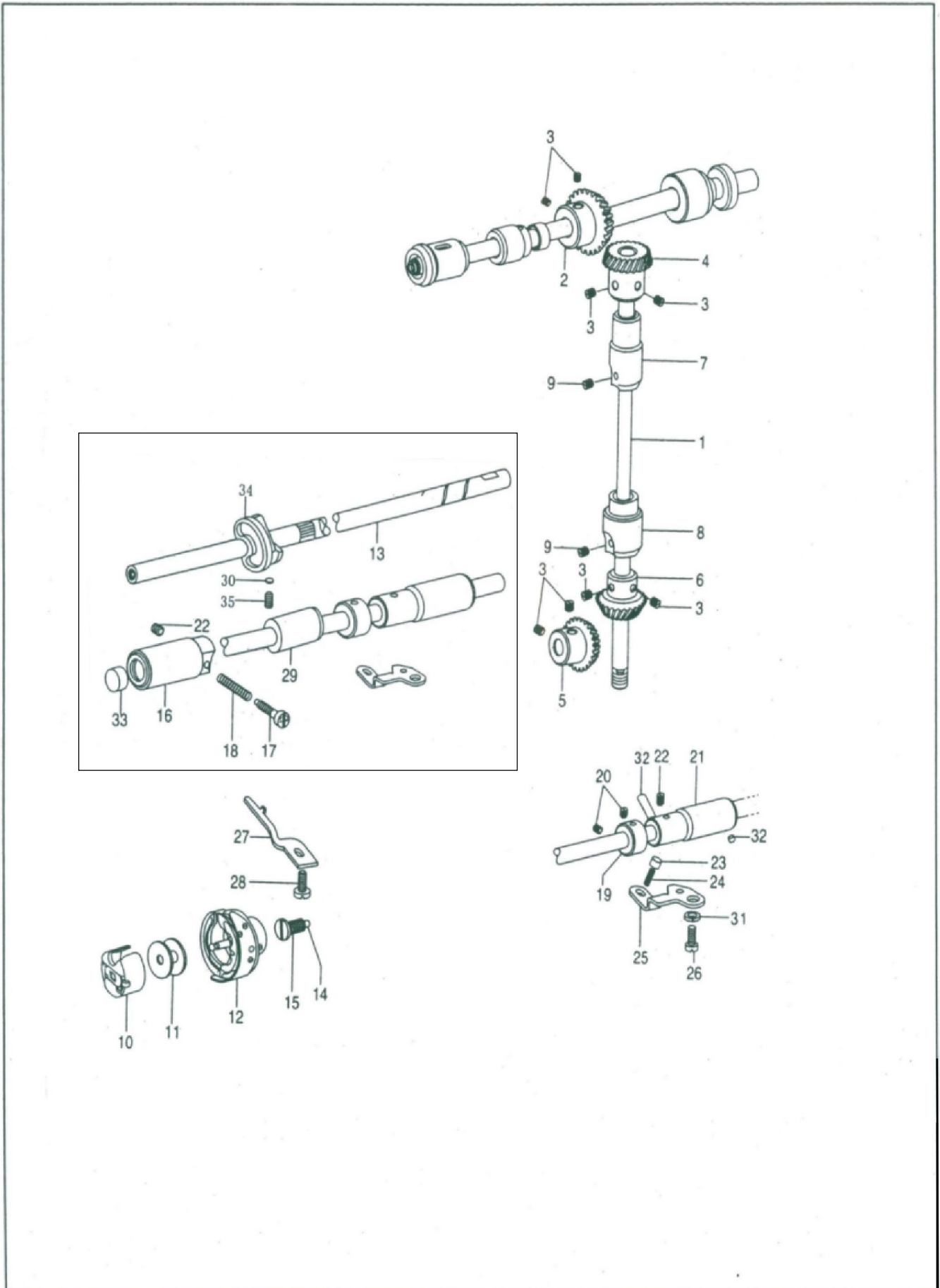
## 5. Upper feed mechanism



## 5. Upper feed mechanism

NO.	PartNumber	Name	Qt		Remark
			3995DD	3995AUT	
37	G11-5-37	Feed rocker arm	1	1	
38	G11-5-38	Screw	1	1	
39	G11-5-39	Set screw	1	1	
40	G11-5-40	Stud	1	1	
41	G11-5-41	Eccentric wheel	1	1	
42	G11-5-42	Screw	2	2	
43	G11-5-43	Connecting rod	1	1	
44	G11-5-44	Shoulder screw	1	1	
45	G11-5-45	Connecting rod	1	1	
46	G11-5-46	Shoulder screw	1	1	
47	G11-5-47	Feed lifting arm crank, R	1	1	
48	G11-5-48	Bush, M	1	1	
49	G11-5-49	Screw	1	1	
50	G11-5-50	Retaining ring, C	1	1	GB894-86 25
51	G11-5-51	Washer	1	1	
52	G11-5-52	Feed arm	1	1	
53	G11-5-53	Feed lifting shaft	1	1	
54	G11-5-54	Bush	2	2	
55	G11-5-55	Screw	4	4	
56	G11-5-56	Collar	1	1	
57	G11-5-57	Screw	2	2	
58	G11-5-58	Bush, L	1	1	
59	G11-5-59	Upper feed shaft	1	1	
60	G11-5-60	Screw	1	1	
61	G11-5-61	O ring	1	1	
62	G11-5-62	Oil seal	1	1	
63	G11-5-63	Spring	1	1	
64	G11-5-64	Bracket	*	*	
65	G11-5-65	Screw	*	*	
66	G11-5-66	Pin	2	2	GB/T879. 13*8
67	G11-5-67	Screw	2	2	
68	G11-5-68	Hold plat	1	1	

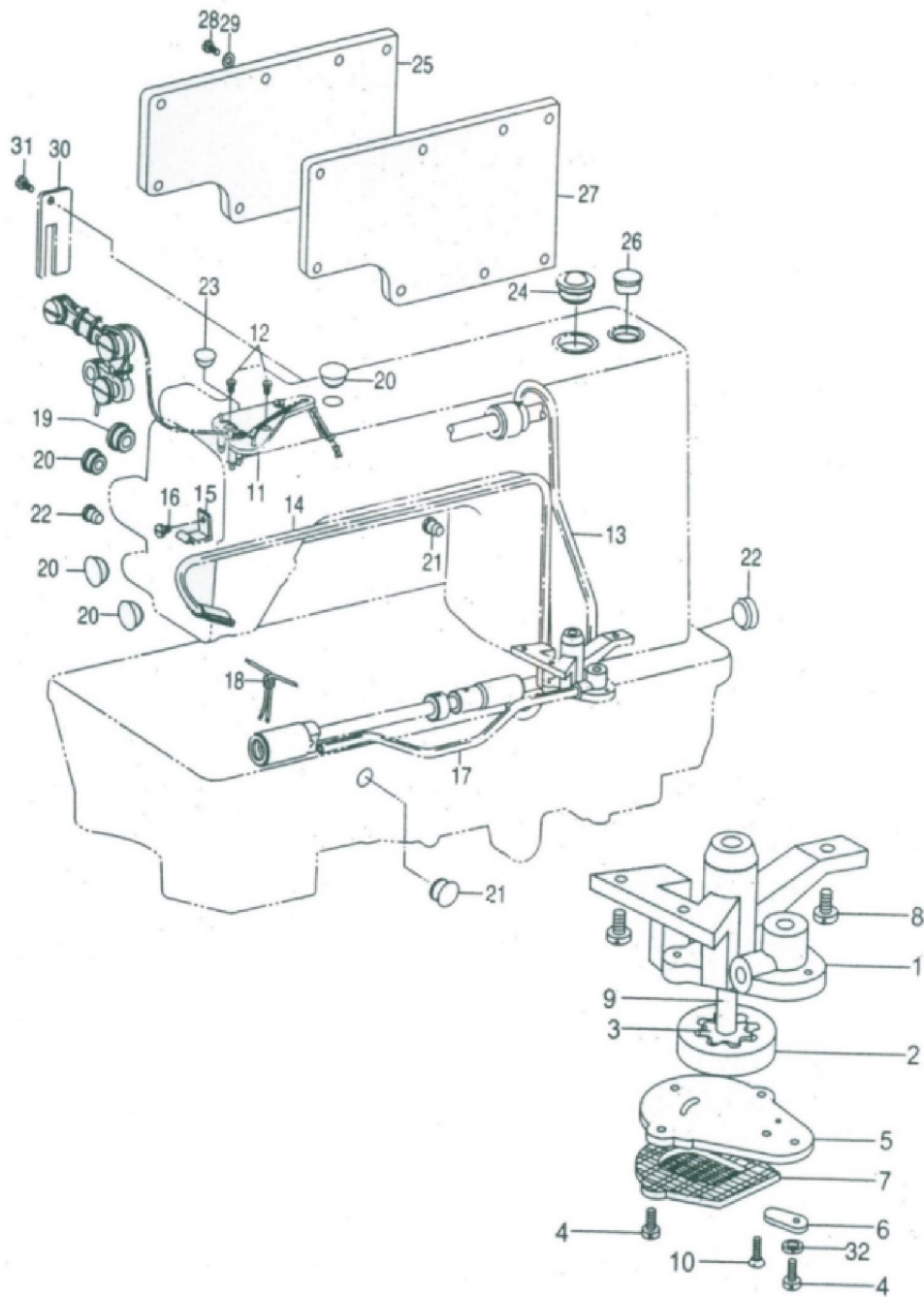
## 6. Hook mechanism



## 6. Hook mechanism

NO.	PartNumber	Name	Qt		Remark
			3995DD	3995AUT	
1	G11-6-1	Vertical shaft	1	1	
2	G11-6-2	Bevel gear, upper shaft	1	1	
3	G11-6-3	Set screw	8	8	
4	G11-6-4	Bevel gear, vertical shaft, U	1	1	
5	G11-6-5	Bevel gear, lower shaft	1	1	
6	G11-6-6	Bevel gear, vertical shaft, L	1	1	
7	G11-6-7	Bush, vertical shaft, U	1	1	
8	G11-6-8	Bush, vertical shaft, L	1	1	
9	G11-6-9	Screw	2	2	
10	G11-6-10	Bobbin case	1	*	
	G12-6-10	Bobbin case	*	1	
11	G11-6-11	Bobbin	1	*	
	G12-6-11	Bobbin	*	1	
12	G11-6-12	Hook assy.	1	*	
	G12-6-12	Hook assy.	*	1	
13	G11-6-13	Lower shaft	1	*	
	G12-6-13	Lower shaft	*	1	
14	G11-6-14	Filter	1	1	
15	G11-6-15	Screw	1	1	
16	G11-6-16	Bush, lower shaft, L	1	*	
	G12-6-16	Bush, lower shaft, L	*	1	
17	G11-6-17	Adjusting screw, oil	1	1	
18	G11-6-18	Adjusting screw	1	1	
19	G11-6-19	Collar	1	1	
20	G11-6-20	Screw	2	2	
21	G11-6-21	Bush, lower shaft, R	1	1	
22	G11-6-22	Screw	2	2	
23	G11-6-23	Plunger	1	1	
24	G11-6-24	Spring	1	1	
25	G11-6-25	Hold plat	1	1	
26	G11-6-26	Screw	1	1	
27	G11-6-27	B/case holder position bracket	1	1	
28	G11-6-28	Screw	1	1	
29	G11-6-29	Bush, lower shaft, M	*	1	
30	G11-6-30	Holder plate	*	2	
31	G11-6-31	Washer	1	1	GB93 6
32	G11-6-32	Oil seal	1	1	
33	G11-6-33	Oil seal	1	*	
	G12-6-33	Oil seal	*	1	
34	G11-6-34	Trimmer driving com	*	1	
35	G11-6-35	Screw	*	2	

## 7. Lubrication mechanism

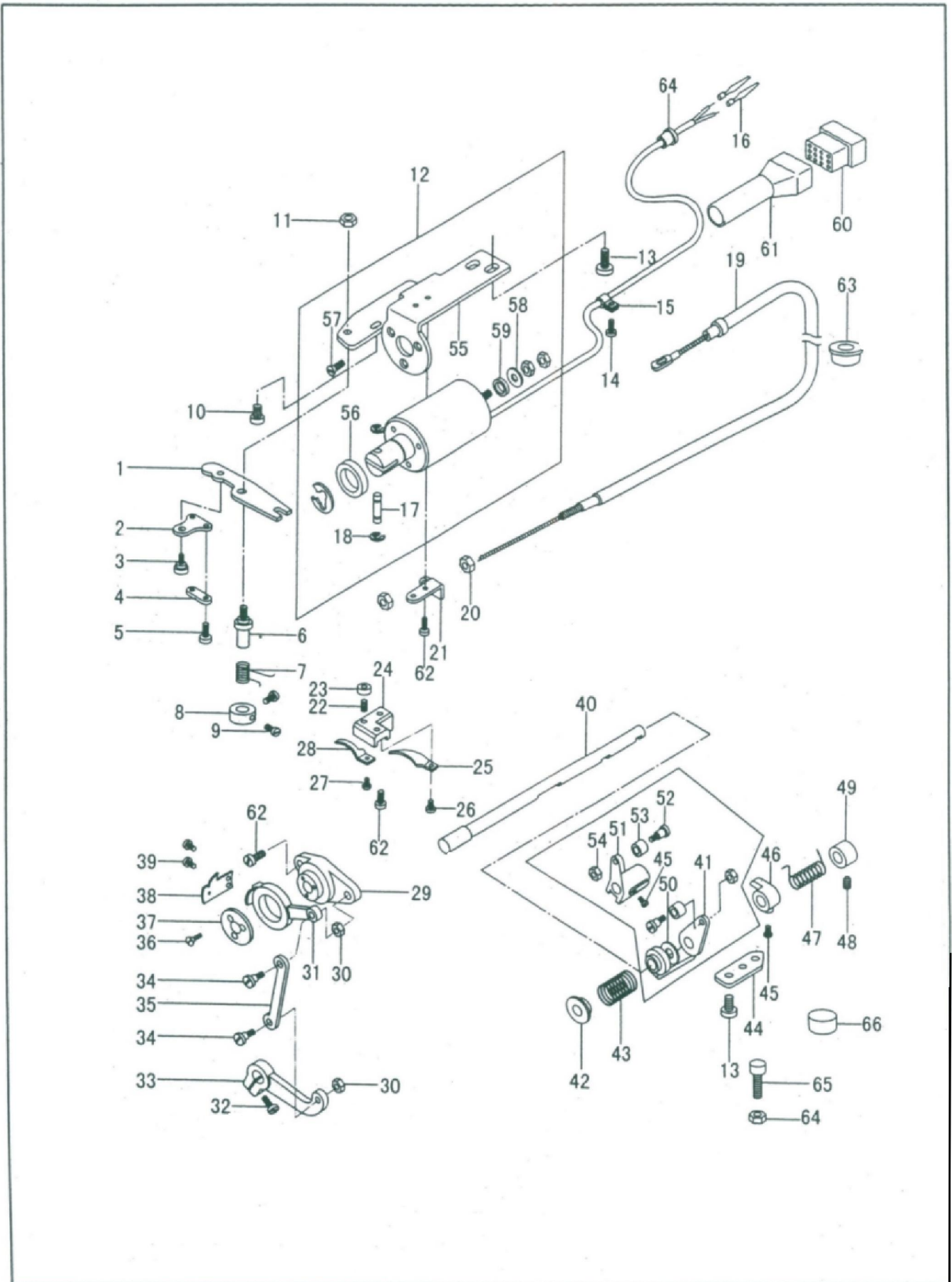




## 7. Lubrication mechanism

NO.	PartNumber	Name	Qt		Remark
			3995DD	3995AUT	
1	G11-7-1	Pump body	1	1	
2	G11-7-2	Big gear, pump	1	1	
3	G11-7-3	Smallgear, pump	1	1	
4	G11-7-4	Screw	3	3	
5	G11-7-5	Cover	1	1	
6	G11-7-6	Throat plate	1	1	
7	G11-7-7	Filter ser	1	1	
8	G11-7-8	Screw	3	3	
9	G11-7-9	Shaft	1	1	
10	G11-7-10	Screw	2	2	
11	G11-7-11	Setting plate	1	1	
12	G11-7-12	Screw	2	2	
13	G11-7-13	Oil seal	1	1	
14	G11-7-14	Tube assy	1	1	
15	G11-7-15	Holder	1	1	
16	G11-7-16	Screw	1	1	
17	G11-7-17	Oil tube, L	1	*	
	G12-7-17	Oil tube, L	*	1	
18	G11-7-18	Oil wick	1	1	Φ 19
19	G11-7-19	Rubber cap	4	4	Φ 11.8
20	G11-7-20	Rubber cap	2	2	Φ 8.8
21	G11-7-21	Rubber cap	1	1	Φ 27
22	G11-7-22	Rubber cap	1	1	Φ 5.7
23	G11-7-23	Rubber cap	1	1	
24	G11-7-24	Oil gauge window	1	1	
25	G11-7-25	Back cover	1	1	
26	G11-7-26	Rubber cap	1	1	Φ 25.5
27	G11-7-27	Packing	1	1	
28	G11-7-28	Screw	9	9	
29	G11-7-29	Washer	9	9	
30	G11-7-30	Oil pan	1	1	
31	G11-7-31	Screw	1	1	
32	G11-7-32	Washer, spring	1	1	

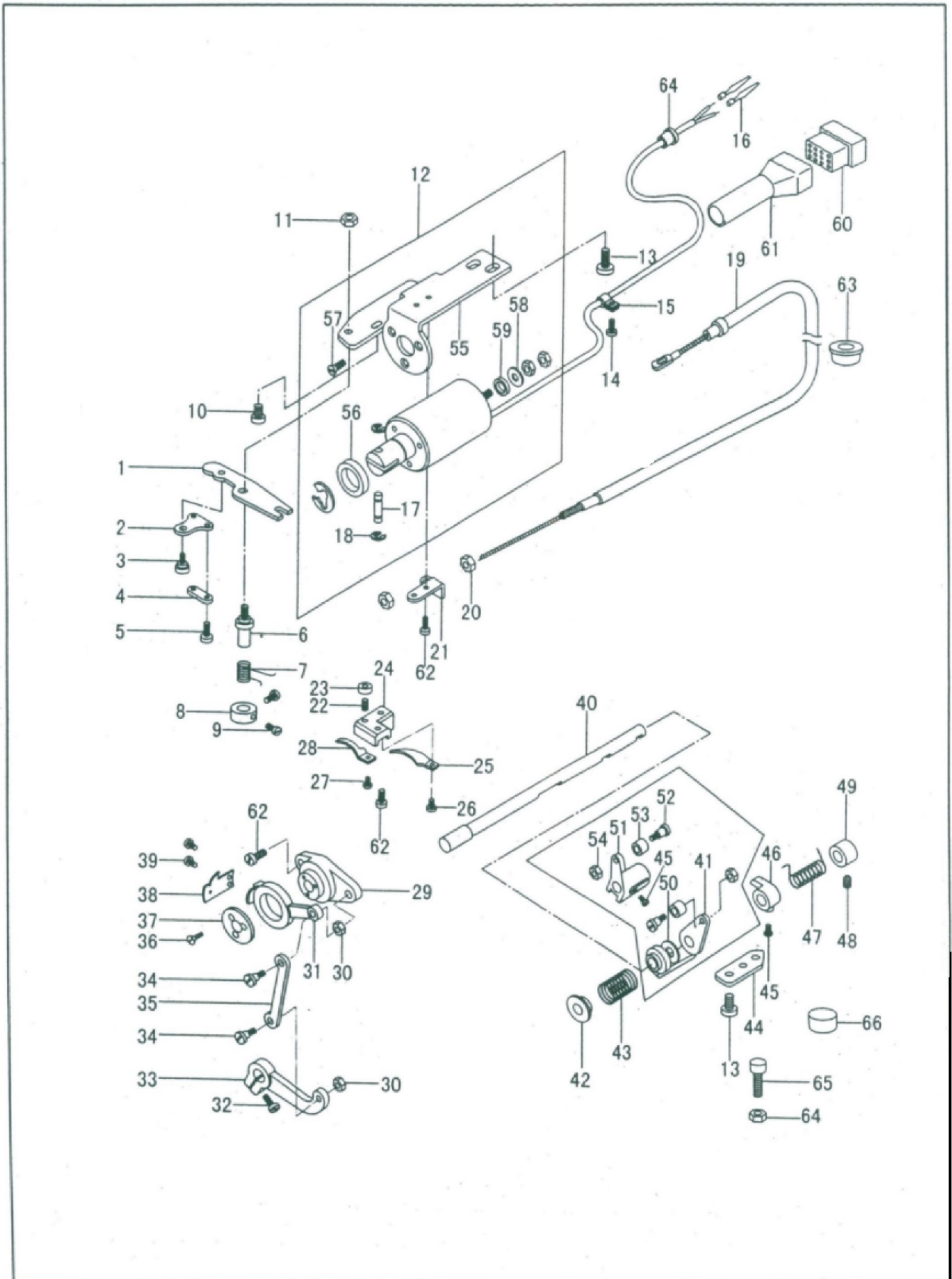
# 8. Thread trimming mechanism(3995AUT, 3995CXAUT)



### 8. Thread trimming mechanism (3995AUT, 3995CXAUT)

NO.	PartNumber	Name	Qt		Remark
			3995DD	3995AUT	
1	G12-8-1	Driven plate	*	1	
2	G12-8-2	Wire support	*	1	
3	G12-8-3	Screw	*	1	
4	G12-8-4	Link	*	1	
5	G12-8-5	Screw	*	1	
6	G12-8-6	Screw pin, driven plate	*	1	
7	G12-8-7	Spring	*	1	
8	G12-8-8	Collar	*	1	
9	G12-8-9	Screw	*	2	
10	G12-8-10	Screw	*	1	
11	G12-8-11	Nut	*	1	
12	G12-8-12	Thread trimmer solenoid assy	*	1	
13	G12-8-13	Screw	*	4	
14	G12-8-14	Screw	*	1	
15	G12-8-15	Wire holder	*	1	
16	G12-8-16	Terminal pin	*	2	
17	G12-8-17	Pin	*	1	
18	G12-8-18	Retaining ring	*	2	
19	G12-8-19	Tension release wire	*	1	
20	G12-8-20	Nut	*	2	
21	G12-8-21	Tension release lever	*	1	
22	G12-8-22	Screw	*	1	
23	G12-8-23	Nut	*	1	
24	G12-8-24	Holder, F-knife	*	1	
25	G12-8-25	Lower thread finger	*	1	
26	G12-8-26	Screw	*	1	
27	G12-8-27	Screw	*	1	
28	G12-8-28	Fixed knife	*	1	
29	G12-8-29	Holder, M-knife	*	1	
30	G12-8-30	Nut	*	2	
31	G12-8-31	Holder, M-knife, L	*	1	
32	G12-8-32	Screw	*	1	
33	G12-8-33	Driven crank	*	1	
34	G12-8-34	Screw	*	2	
35	G12-8-35	Link	*	1	
36	G12-8-36	Screw	*	3	

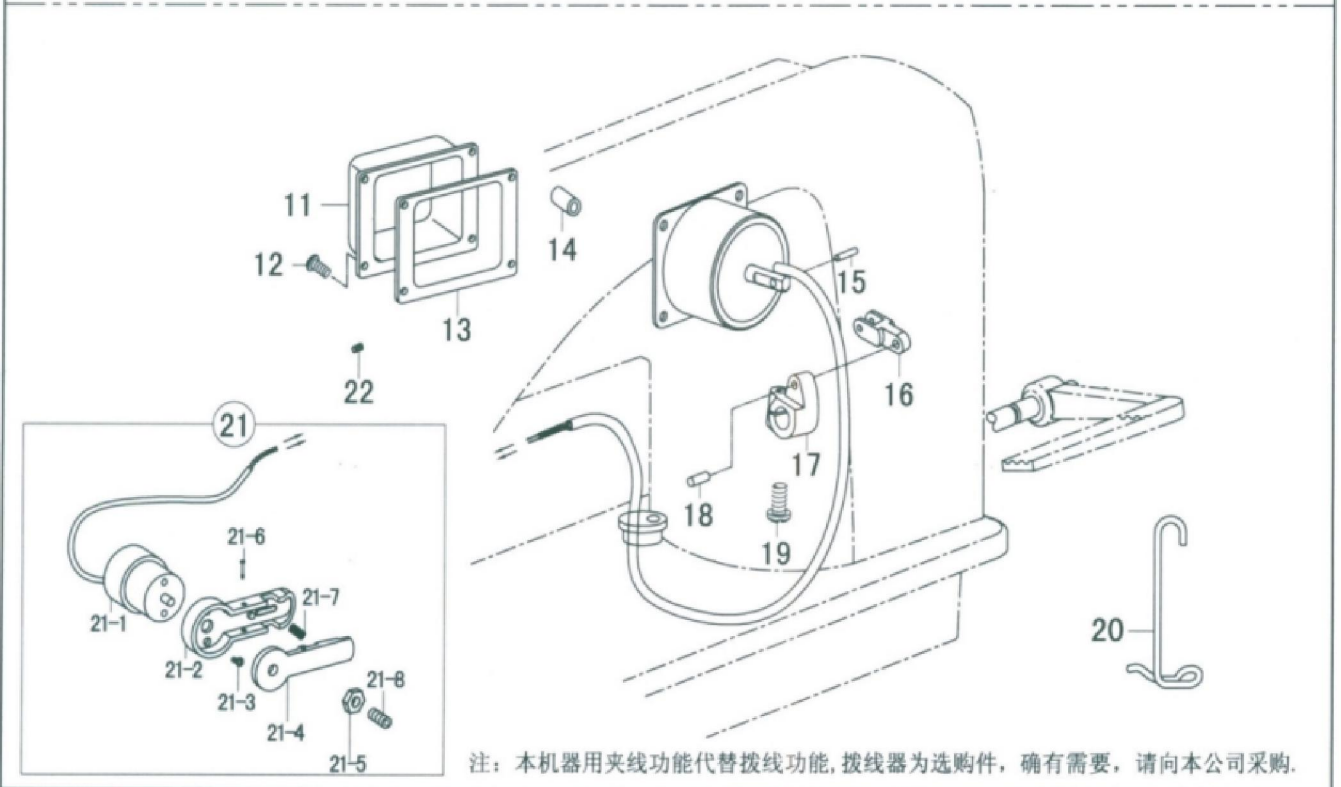
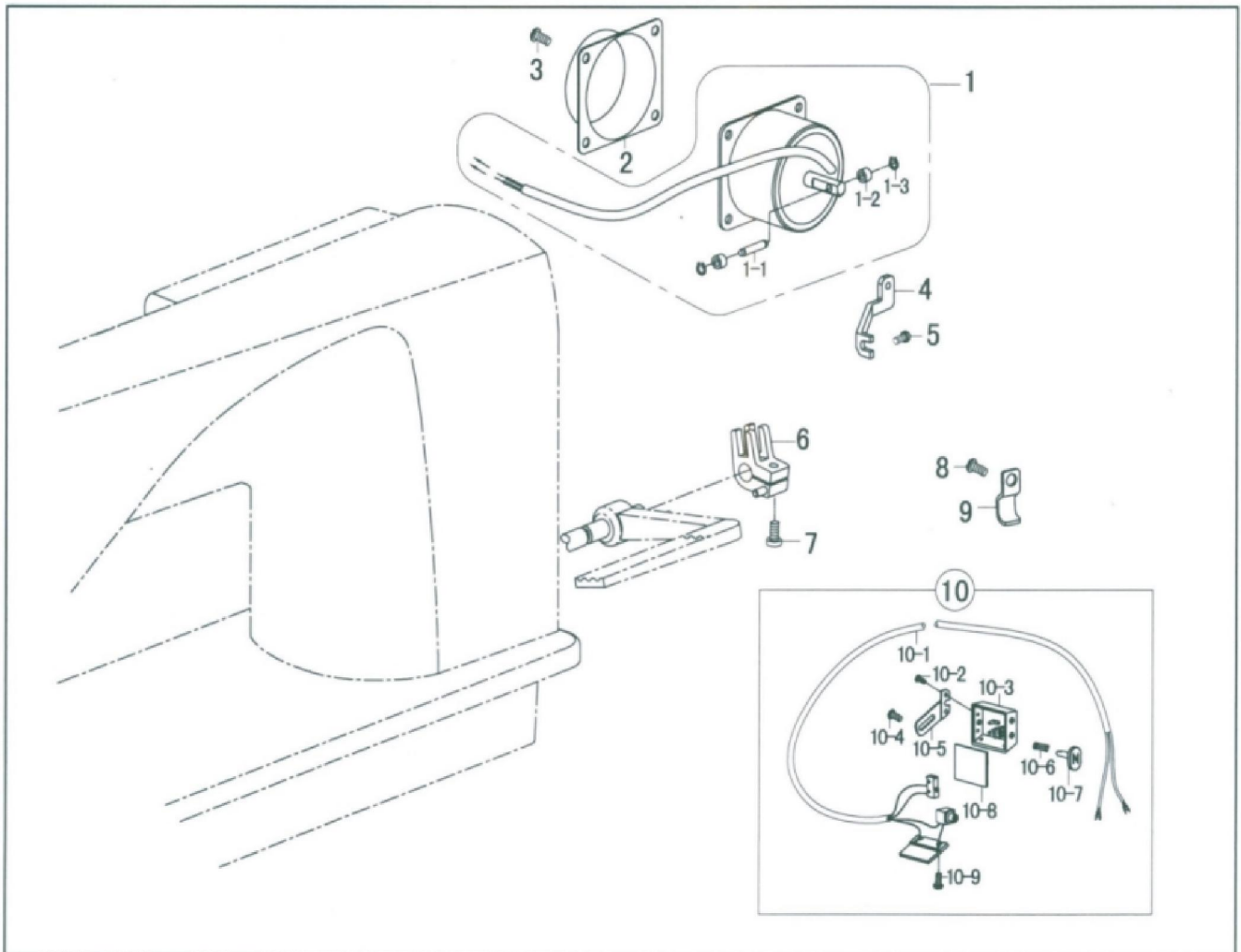
## 8. Thread trimming mechanism (3995AUT, 3995CXAUT)



8. Thread trimming mechanism(3995AUT, 3995GXAUT)

NO.	PartNumber	Name	Qt		Remark
			3995DD	3995AUT	
37	G12-8-37	Washer	*	1	
38	G12-8-38	Movable knife	*	1	
39	G12-8-39	Screw	*	2	
40	G12-8-40	Thread trimmer cam lever shaft	*	1	
41	G12-8-41	Thread trimmer cam lever, R	*	1	
42	G12-8-42	Collar	*	1	
43	G12-8-43	Spring	*	1	
44	G12-8-44	Stopper plate	*	1	
45	G12-8-45	Screw	*	3	
46	G12-8-46	Positioning block	*	1	
47	G12-8-47	Spring	*	1	
48	G12-8-48	Screw	*	2	
49	G12-8-49	Collar	*	1	
50	G12-8-50	Plastic ring	*	1	
51	G12-8-51	Thread trimmer cam lever, L	*	1	
52	G12-8-52	Screw	*	2	
53	G12-8-53	Roller	*	2	
54	G12-8-54	Nut	*	2	
55	G12-8-55	Thread trimmer solenoid base	*	1	
56	G12-8-56	Seal washer, big	*	1	
57	G12-8-57	Screw	*	3	
58	G12-8-58	Washer	*	1	
59	G12-8-59	Seal washer, small	*	1	
60	G12-8-60	Connector	*	1	
61	G12-8-61	Cover	*	1	
62	G12-8-62	Screw	*	4	
63	G12-8-63	Guard	*	1	
64	G12-8-64	Nut	*	1	
65	G12-8-65	Screw	*	1	
66	G12-8-66	Packing	*	1	

9. Reverse stitching mechanism(3995AUT, 3995CXAUT)

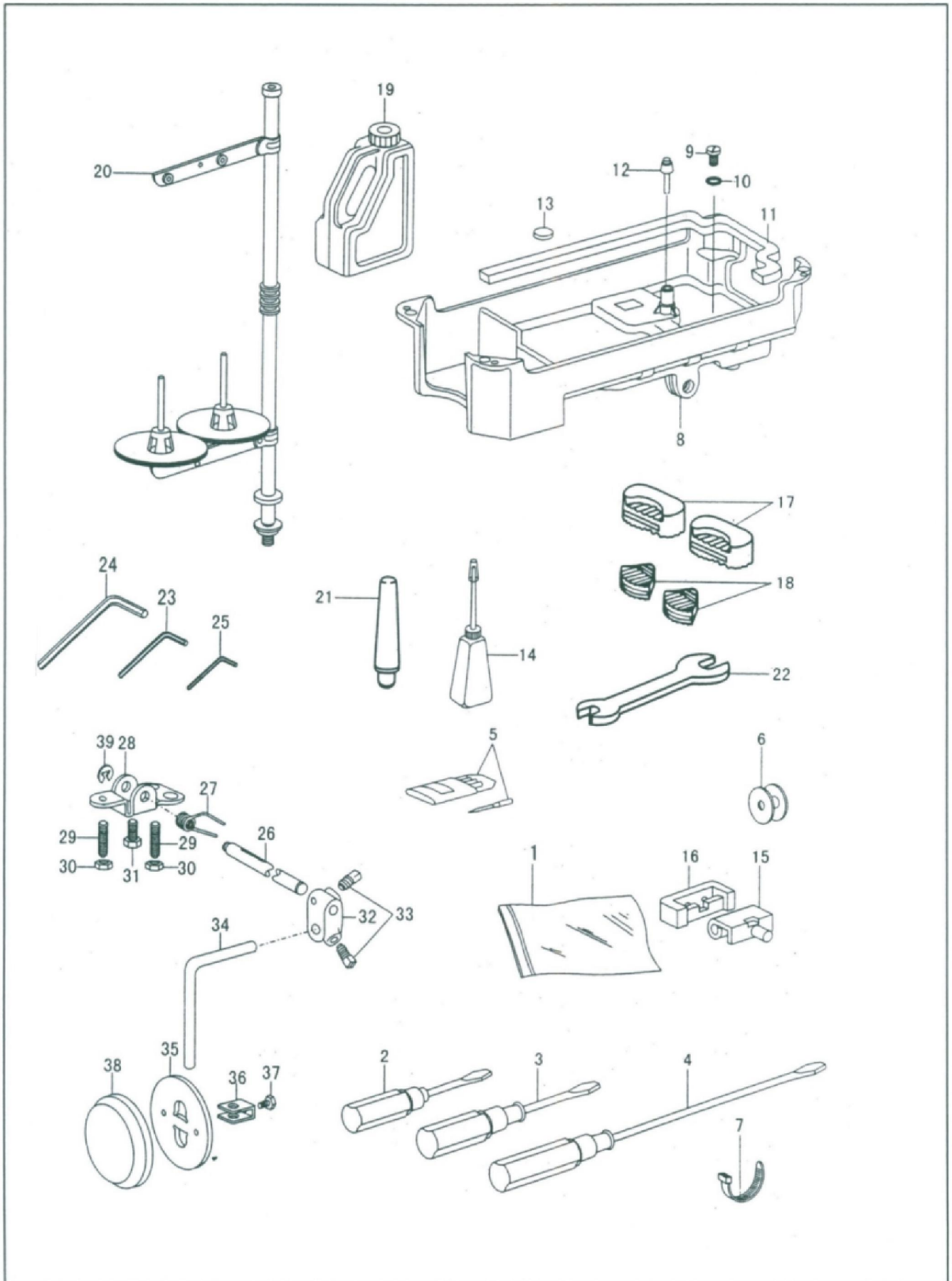


注：本机器用夹线功能代替拨线功能，拨线器为选购件，确有需要，请向本公司采购。

### 9. Reverse stitching mechanism(3995AUT, 3995CXAUT)

NO.	PartNumber	Name	Qt		Remark
			3995DD	3995AUT	
1	G12-9-1	Peverse feed asm	*	1	
(1-1)	G12-9-1-1	Plunger arm pin	*	1	
(1-2)	G12-9-1-2	Collar	*	2	
(1-3)	G12-9-1-3	E-ring	*	2	
2	G12-9-2	Cover	*	1	
3	G12-9-3	Screw	*	3	
4	G12-9-4	Bracket	*	1	
5	G12-9-5	Screw	*	1	
6	G12-9-6	Crank	*	1	
7	G12-9-7	Screw	*	1	
8	G12-9-8	Screw	*	2	
9	G12-9-9	Cord holder	*	2	
10	G12-9-10	Wire,reverse solenoid	*	1	
(10-1)	G12-9-10-1	Reverse switch assy	*	1	
(10-2)	G12-9-10-2	Screw	*	2	
(10-3)	G12-9-10-3	Support	*	1	
(10-4)	G12-9-10-4	Screw	*	2	
(10-5)	G12-9-10-5	Bracket	*	1	
(10-6)	G12-9-10-6	Spring	*	1	
(10-7)	G12-9-10-7	Actuator	*	1	
(10-8)	G12-9-10-8	Baffle	*	1	
(10-9)	G12-9-10-9	Screw	*	2	
11	G12-9-11	Solenoid cover	*	*	
12	G12-9-12	Screw	*	*	
13	G12-9-13	Washer	*	*	
14	G12-9-14	Space collar	*	*	
15	G12-9-15	Pin	*	*	
16	G12-9-16	Connecting lever	*	*	
17	G12-9-17	Solenoid lever	*	*	
18	G12-9-18	Pin	*	*	
19	G12-9-19	Screw	*	*	
20	G12-9-20	Cord holder	*	*	
21	G12-9-21	Clip wire Electromagnet asm	*	1	
(21-1)	G12-9-21-1	Electromagnet	*	1	
(21-2)	G12-9-21-2	The bottom plate	*	1	
(21-3)	G12-9-21-3	Screw	*	2	
(21-4)	G12-9-21-4	Plate	*	1	
(21-5)	G12-9-21-5	Nut	*	1	
(21-6)	G12-9-21-6	Screw	*	1	
(21-7)	G12-9-21-7	Spring	*	1	
(21-8)	G12-9-21-8	Screw	*	1	
22	G12-9-22	Screw	*	1	

# 10. Accessories for model

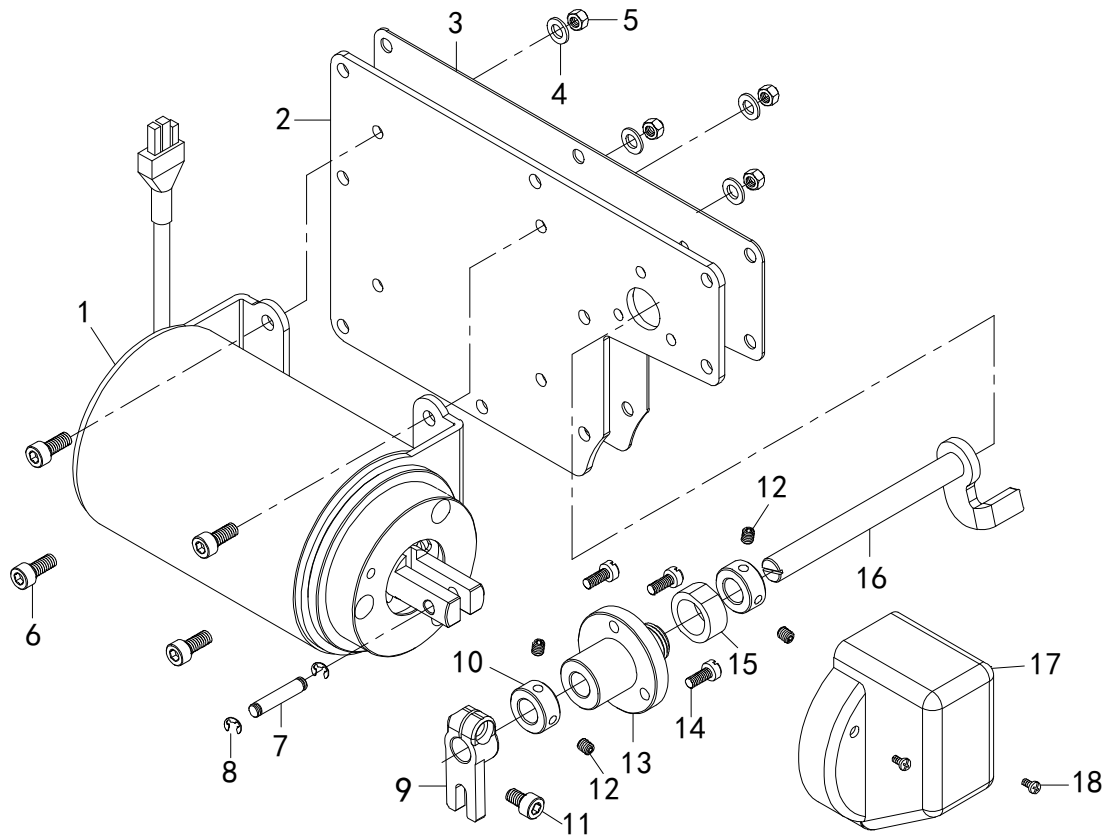




## 10. Accessories for model

NO.	PartNumber	Name	Qt		Remark
			3995DD	3995AUT	
1	G11-10-1	Accessory bag	1	1	
2	G11-10-2	Screw driver, S	1	1	
3	G11-10-3	Screw driver, M	1	1	
4	G11-10-4	Screw driver, L	1	1	
5	G11-10-5	Needle	1	1	DP*17 23 #
6	G11-10-6	Bobbin	3	*	
	G12-10-6	Bobbin	*	3	
7	G11-10-7	Tie	3	3	
8	G11-10-8	Oil pan	1	1	
9	G11-10-9	Screw	1	1	
10	G11-10-10	Washer	1	1	
11	G11-10-11	Pad	1	1	
12	G11-10-12	Bar	1	1	
13	G11-10-13	Magnet	1	1	
14	G11-10-14	Oil pot	1	1	
15	G11-10-15	Head hinge	2	2	
16	G11-10-16	Cushion, head hinge	2	2	
17	G11-10-17	Head cushion, L	2	2	
18	G11-10-18	Head cushion, S	2	2	
19	G11-10-19	Oil tank	1	1	
20	G11-10-20	Thread stand assy	1	1	
21	G11-10-21	Head rest	1	1	
22	G11-10-22	Wrench	1	1	
23	G11-10-23	Wrench, 2mm	1	1	2GB/T5356-1998
24	G11-10-24	Wrench, 3mm	1	1	3GB/T5356-1998
25	G11-10-25	Wrench, 2.5mm	1	1	2. 58GB/T5356-1998
26	G11-10-26	Lifter shaft	1	1	
27	G11-10-27	Spring	1	1	
28	G11-10-28	Bracket	1	1	
29	G11-10-29	Adjusting screw	2	2	
30	G11-10-30	Adjusting nut	2	2	
31	G11-10-31	Screw	1	1	
32	G11-10-32	Bracket	1	1	
33	G11-10-33	Screw	1	1	GB/T5781 MX12
34	G11-10-34	Lifter bar	1	1	
35	G11-10-35	Knee lifter plate	1	1	
36	G11-10-36	Stopper	1	1	
37	G11-10-37	Screw	1	1	
38	G11-10-38	Cover, K-lifter plate	1	1	
39	G11-10-39	Retaining ring	1	1	GB/896 9

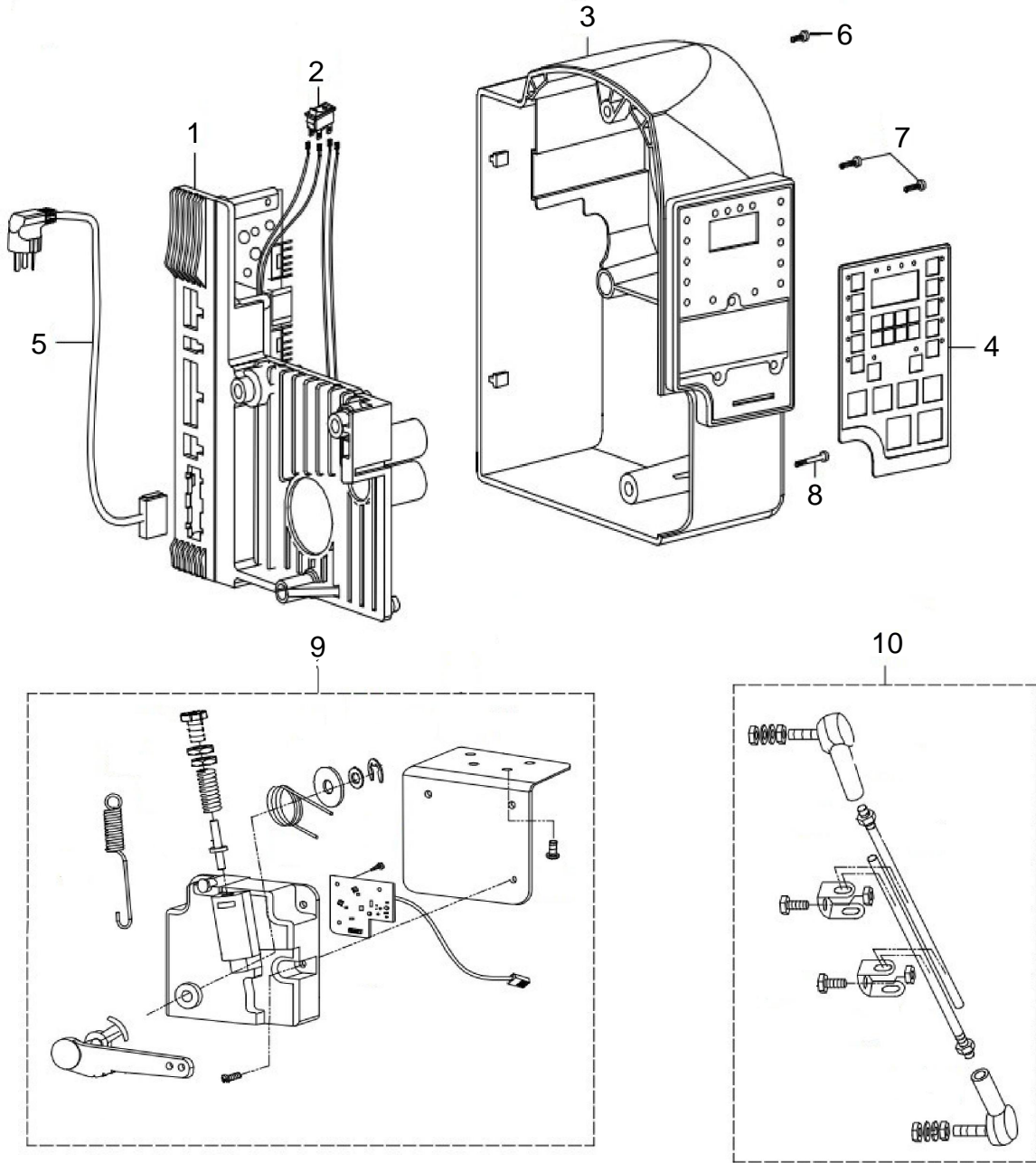
## 11.Presser foot lifting set mechanism(Optional parts)



## 11.Presser foot lifting set mechanism(Optional parts)

Ref.No	Part.No	Name of parts	3995AUT	3995-45 AUT
			Qty	Qty
1	G10-11-01	Electromagnet ASM	1	1
2	G10-11-02	Side plate	1	1
3	G10-11-03	Gasket	1	1
4	G10-11-04	Washer	4	4
5	G10-11-05	NUT M5	4	4
6	G10-11-06	Screw M5 L=12	4	4
7	G10-11-07	Connection pin	1	1
8	G10-11-08	E-RING 4	2	2
9	G10-11-09	Electromagnet crank	1	1
10	G10-11-10	Thrust collar	2	2
11	G10-11-11	Screw M5 L=8	1	1
12	G10-11-12	Screw 11/64-40 L=5	4	4
13	G10-11-13	Bushing	1	1
14	G10-11-14	Screw M4 L=10	3	3
15	G10-11-15	Nut of bushing M16-1.5	1	1
16	G10-11-16	Transmission shaft	1	1
17	G10-11-17	Electromagnet shield	1	1
18	G10-11-18	Screw M4 L=5	2	2

## 12.Driver copponents



### 12. Driver copponents

NO.	PartNumber	Name	Qty		Remark
			3955DD	3955AUT	
1	G09-12-1	Control asm.	1	*	
	G10-12-1	Control asm.	*	1	
2	G09-12-2	Power switch	1	1	
3	G09-12-3	Control cover	1	*	
	G10-12-3	Control cover	*	1	
4	G09-12-4	Control panel asm.	1	*	
	G10-12-4	Control panel asm.	*	1	
5	G09-12-5	Power line	1	1	
6	G09-12-6	Screw M5	1	1	
7	G09-12-7	Screw M5	1	1	
8	G09-12-8	Screw M5	1	1	
9	G09-12-9	Treadle asm.	1	1	
10	G09-12-10	Live festival ball link asm.	1	1	

# GLOBAL

---

---