

# GLOBAL

## LP 8971 / 8974– AUT

Single / double needle postbed lockstitch sewing machine with thread trimmer, presser foot lift and automatic back tack

**GLOBAL**  
PARTS



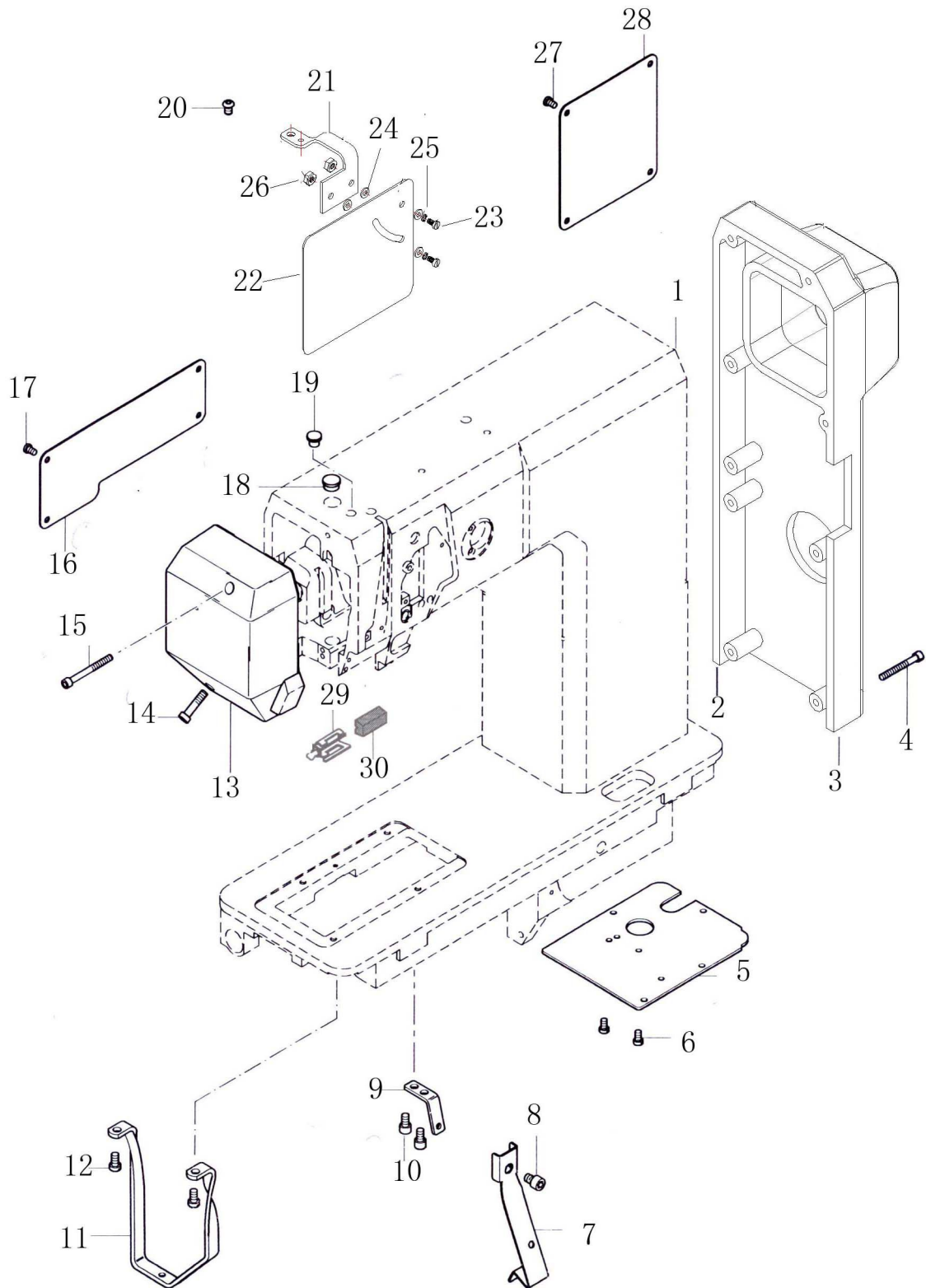
# CONTENT

A. Arm bed and its accessories.....	2
B. Presser bar parts.....	4
C. Needle bar holder parts.....	6
D. Thread tension regulator parts.....	8
E. Main shaft driving parts.....	10
F. Upper side shaft feed parts.....	12
G. Presser foot lifting parts.....	14
H. Bobbin winder parts.....	16
I. Stitch length adjustment parts.....	18
J. Clutch set parts.....	20
K. Oil lubrication parts.....	22
L. Hook parts (Left).....	24
M. Left side bracket parts.....	26
N. Hook parts (Right).....	28
O. Right side bracket parts.....	30
P. Bed plate feed parts.....	32
Q. Solenoid for thread trimming parts.....	34
R. Thread trimming driving parts.....	36
S. Solenoid for presser foot lifting parts.....	38
T. Upper feed and backstitch parts.....	40
U. Lower feed and backstitch parts for single needle.....	42
V. Lower feed and backstitch parts for double needle.....	44
W. Power cable connection.....	46
X. Parts of integrated machine.....	48
Y. Accessories.....	50

A. Arm bed and its accessories

No.	Part No.	Name	1 Needle	2 Needle
1	7.02.01.068	Arm bed	1	1
2	7.02.21.467	Back cover (1)	1	1
3		Back cover (2)	1	1
4	7.02.15.096	Back cover screw	7	7
5	7.02.11.482	Lower plate	1	1
6	7.02.15.044	Lower plate screw	3	3
7	7.02.11.483	Safety guard cover	1	1
8	7.02.15.964	Safety guard cover screw	1	1
9	7.02.11.484	Fixed plate	1	1
10	7.02.15.444	Fixed plate screw	2	2
11	7.02.13.370	Bracket	1	
	7.02.13.378	Bracket		1
12	7.02.15.055	Bracket screw	2	2
13	7.02.11.499	Face plate	1	1
14	7.02.15.731	Face plate screw (Lower)	1	1
15	7.02.15.974	Face plate screw (Upper)	1	1
16	7.02.11.37101	Back cover plate (Left)	1	1
17	7.02.15.960	Back cover plate screw	4	4
18	7.02.16.408	Oil cap	1	1
19	7.02.16.407	Oil cap	1	1
20	7.02.15.960	Screw	1	1
21	7.02.13.379	Thread take-up lever guard cover	1	1
22	7.02.16.412	Plastic safe guard cover	1	1
23	7.02.15.416	Screw	2	2
24	7.02.15.016	Washer	3	3
25	7.02.18.018	Elastic washer	1	1
	7.02.18.017	Washer	1	1
26	7.02.15.068	Nut	2	2
27	7.02.15.960	Screw of back cover plate	4	4
28	7.02.11.37201	Back cover plate (right)	1	1
29	7.02.14.080	Thread guide (Face cover)	1	1
30	7.02.16.299	Felt	1	1

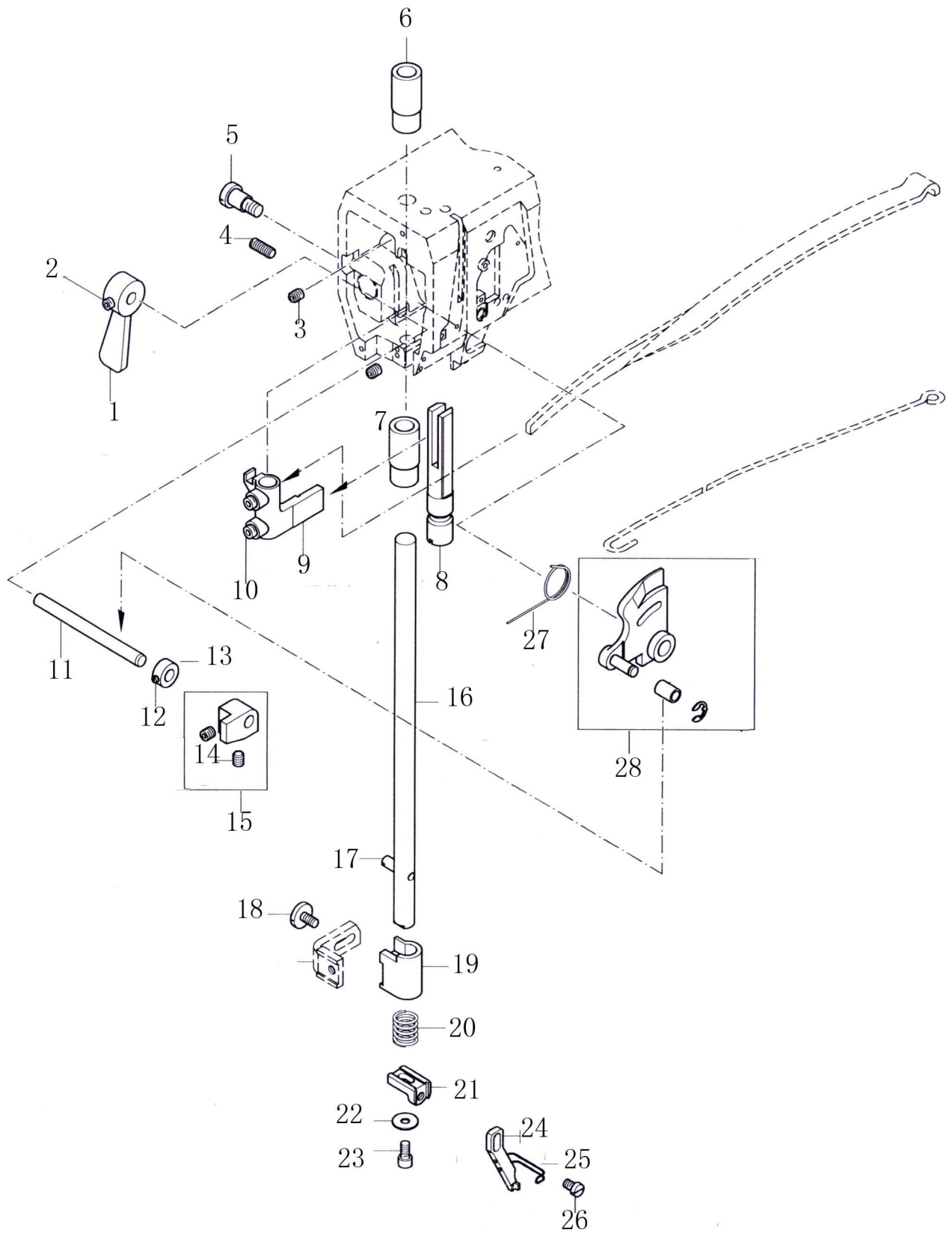
# A. Arm bed and its accessories



### B.Presser bar parts

No.	Part No.	Name	1 Needle	2 Needle
1	7.02.05.01101	Presser foot lifting lever	1	1
2	7.02.15.056	Set screw	1	1
3	7.02.15.049	Screw	2	2
4	7.02.15.057	Set screw	2	2
5	7.02.15.025	Screw	1	1
6	7.02.08.032	Bushing (Upper)	1	1
7	7.02.08.033	Bushing (Lower)	1	1
8	7.02.03.009	Guide rail bar	1	1
9	7.02.08.007	Presser bar position bracket	1	1
10	7.02.15.050	Screw	2	2
11	7.02.03.420	Presser bar lifter shaft	1	1
12	7.02.15.061	Screw	2	2
13	7.02.09.117	Collar	1	1
14	7.02.15.056	Screw	2	2
15	7.02.12.280	Lift block	1	1
16	7.02.03.421	Presser bar	1	1
17	7.02.10.457	Stopper pin	1	1
18	7.02.15.011	Screw	1	1
19	7.02.08.470	Roller presser bracket	1	1
20	7.02.17.011	Spring	1	1
21	7.02.05.009	Tailstock	1	1
22	7.02.18.071	Washer	1	1
23	7.02.15.066	Screw	1	1
24	7.02.02.008	Small presser foot	1	1
25	7.02.17.009	Safety spring	1	1
26	7.02.15.026	Screw	1	1
27	7.02.17.012	Spring	1	1
28	7.02.01.351	Thread tension regulator assy	1	1

# B.Presser bar parts

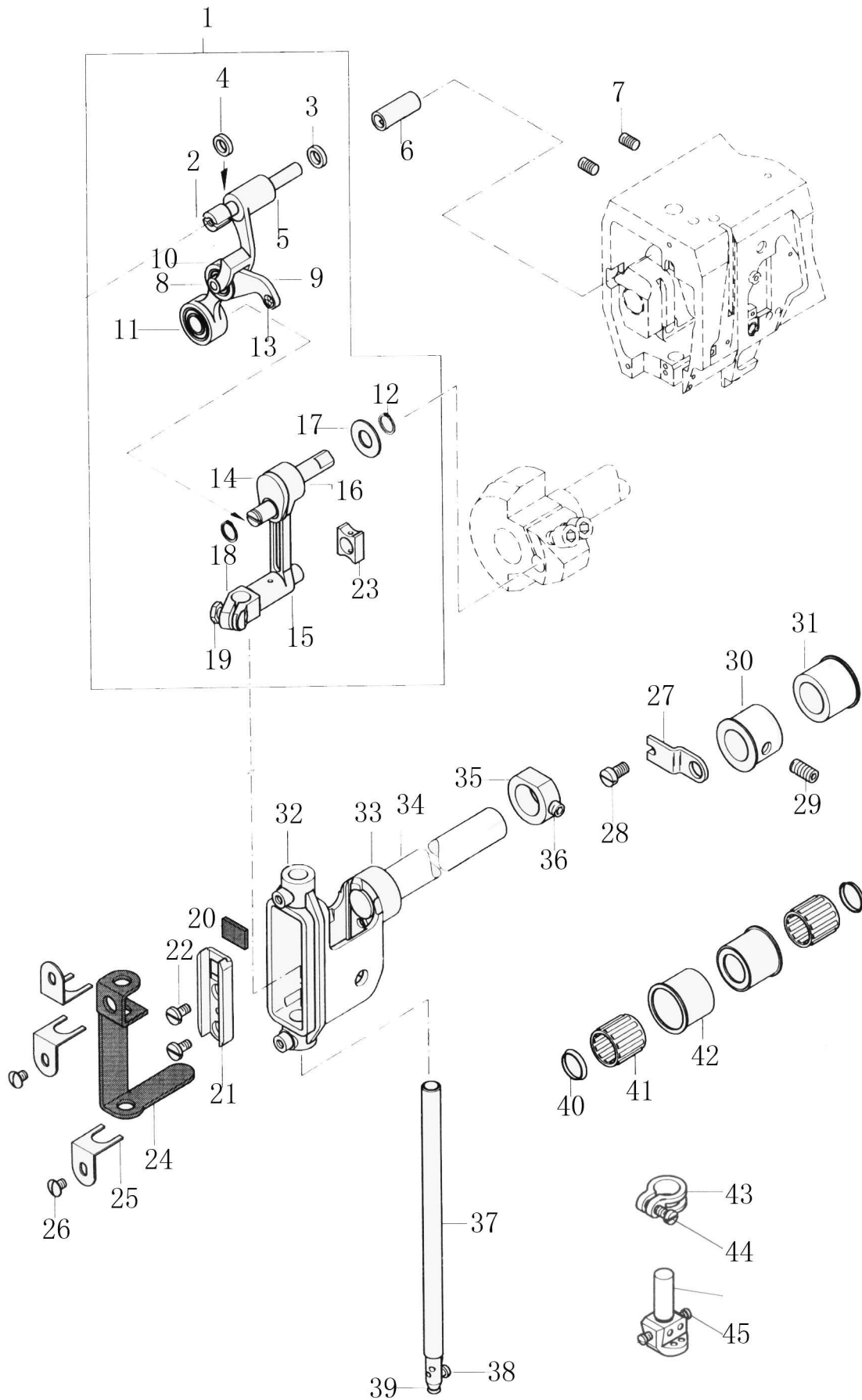


### C. Needle bar holder parts

No.	Part No.	Name	1 Needle	2 Needle
1	7.02.01.353	Thread take-up assy.	1	1
2		Thread take-up fixed pin	1	1
3		Plastic stop ring	2	2
4		Needle bearing	2	2
5		Thread take-up holder	1	1
6		Thread take-up shaft bushing	1	1
7	7.02.15.049	Set screw	2	2
8		Screw	1	1
9		Thread take-up lever	1	1
10		Bearing	1	1
11		Bearing	1	1
12	7.02.18.030	Elastic retaining ring	2	2
13		Thread path	1	1
14	7.02.06.001	Thread take-up crank	1	1
15	7.02.05.005	Needle bar connector	1	1
16	7.02.04.006	Needle bearing	1	1
17	7.02.18.009	Washer	1	1
18	7.02.05.006	Needle bar fixer	1	1
19	7.02.15.066	Needle bar fixer screw	1	1
20	7.02.16.011	Oil felt	1	1
21	7.02.12.001	Needle bar connector guide slot	1	1
22	7.02.15.021	Guide slot screw	2	2
23	7.02.12.002	Needle bar guide slide block	1	1
24	7.02.16.012	Oil felt	1	1
25	7.02.17.005	Oil felt holder	3	3
26	7.02.15.022	Oil felt pressing plate screw	2	2
27	7.02.17.001	Fixed plate of needle bar holder		1
28	7.02.15.022	Fixed plate screw		1
29	7.02.15.064	Set screw		1
30	7.02.08.025	Bushing		1
31	7.02.08.026	Bushing		1
32	7.02.13.001	Needle bar holder	1	1
33	7.02.10.012	Pin	1	1
34	7.02.03.007	Main shaft	1	1
35	7.02.09.001	Collar	1	1
36	7.02.15.054	Set screw	1	1
37	7.02.03.006	Needle bar	1	
	7.02.03.018	Needle bar		1
38	7.02.15.019	Needle clamp screw	1	
39	7.02.14.005	Needle bar thread stand		
40	7.02.18.002	Disk type washer	2	
41	7.02.04.010	Needle bearing	2	
42	7.02.08.004	Bushing	2	
43	7.02.08.024	Needle clamp bushing		1
44	7.02.15.040	Bushing screw		1
45	7.02.02.007	Needle holder		1
46		Needle holder screw		2



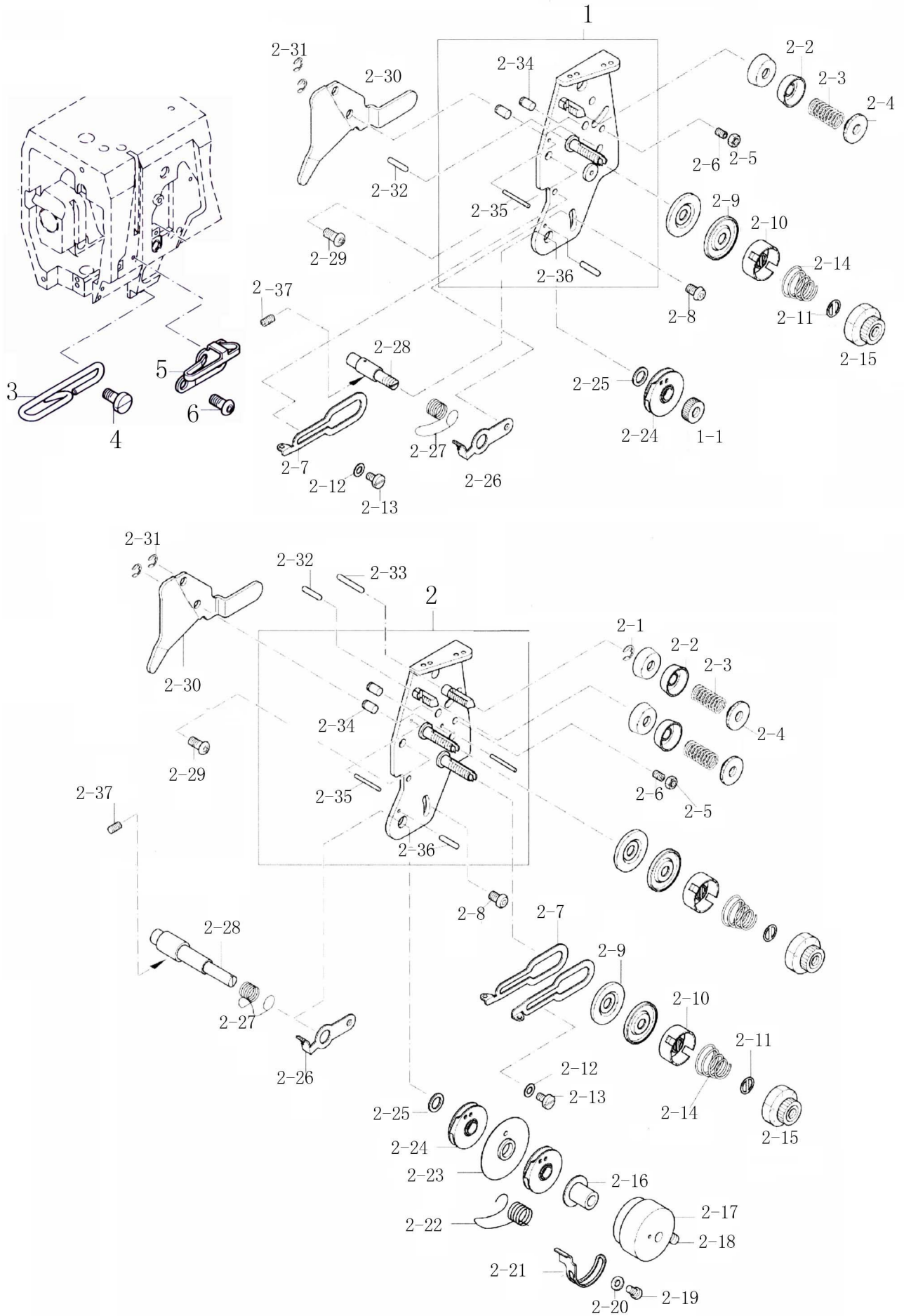
# C. Needle bar holder parts



## D.Thread tension regulator parts

No.	Part No.	Name	1 Needle	2 Needle
1	7.02.01.280	Thread tension regulator assy.	1	
1-1		Nut	1	
2	7.02.01.282	Thread tension regulator assy.		1
2-1.		E type ring		1
2-2.		Thread tension plate(Small)	1	2
2-3.		Spring	1	2
2-4.		Screw	1	2
2-5.		Nut	1	1
2-6.		Screw	1	1
2-7.		Thread guide plate	1	2
2-8.		Screw	1	1
2-9.		Thread tension disk	2	4
2-10.		Tension disk	1	2
2-11.		Washer	1	2
2-12.		Washer	1	1
2-13.		Screw	1	1
2-14.		Adjusting spring	1	2
2-15.		Nut	1	2
2-16.		Position shaft		1
2-17.		Bushing collar		1
2-18.		Screw		1
2-19.		Screw		1
2-20.		Washer		1
2-21.		Spring adjuster		1
2-22.		Thread take-up spring		1
2-23.		Fixed plate		1
2-24.		Spring disk	1	2
2-25.		Washer	1	1
2-26.		Ring	1	1
2-27.		Thread take-up spring	1	1
2-28.		Thread tension stud	1	
2-28-1		Thread tension stud		1
2-29	7.02.15.960	Screw	1	1
2-30		Thread tension releasing plate	1	1
2-31		E type ring	2	2
2-32		Thread releasing pin	1	1
2-33		Thread releasing pin	1	1
2-34		Fixed pin	2	2
2-35		Thread releasing pin	1	2
2-36		Thread releasing pin	1	1
2-37	7.02.15.049	Screw	1	1
3	7.02.14.110	Lower thread guide claw	1	1
4	7.02.15.965	Lower thread guide claw screw	1	1
5	7.02.14.004	Thread stand	1	1
6	7.02.15.960	Thread stand screw	1	1

# D.Thread tension regulator parts

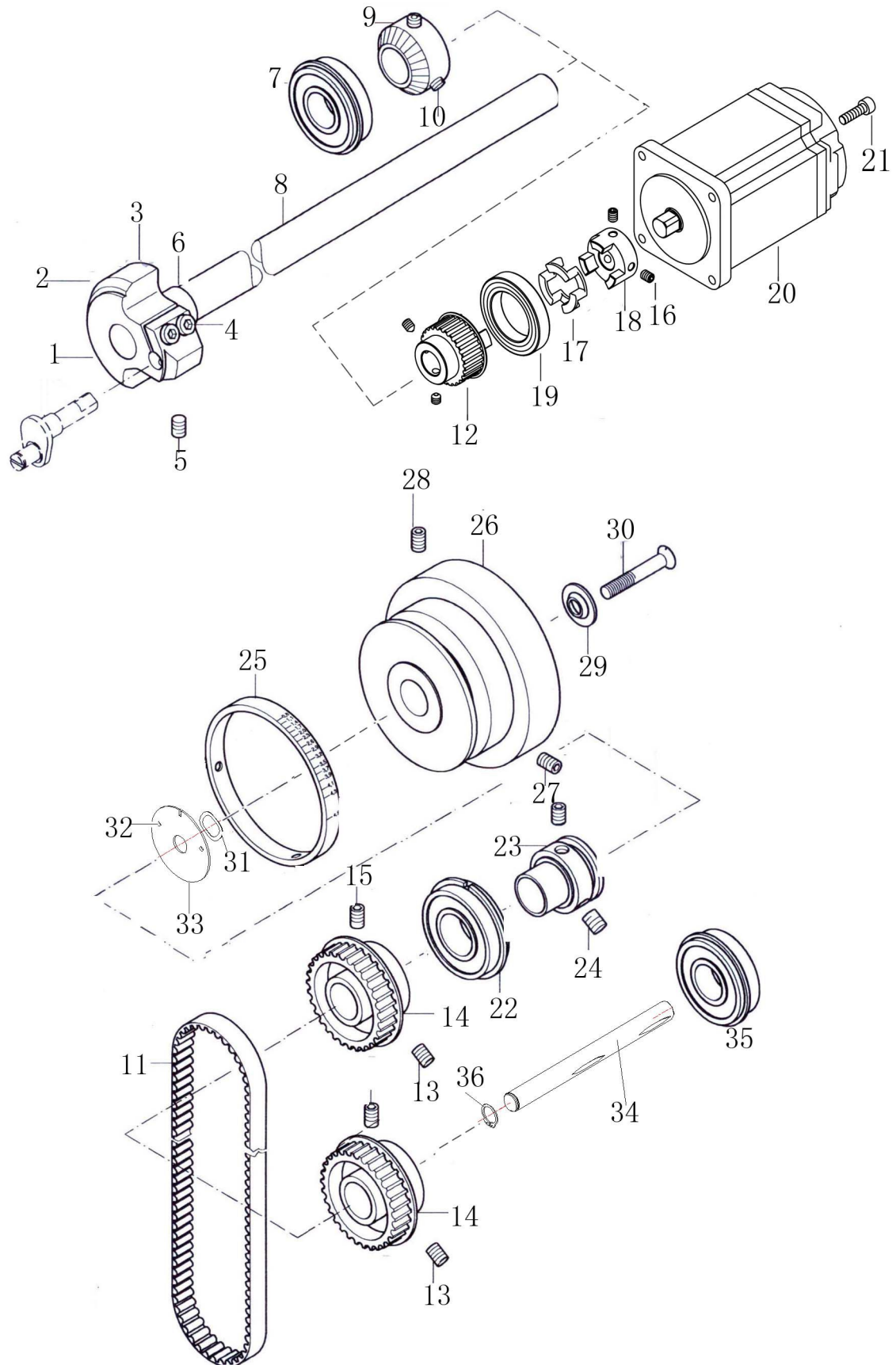


### E. Main shaft driving parts

No.	Part No.	Name	1 Needle	2 Needle
1	7.02.01.358	Cam	1	1
2	7.02.15.014	Cam set screw	1	1
3	7.02.15.013	Cam set screw	1	1
4	7.02.15.053	Screw	1	1
5	7.02.15.050	Set screw	1	1
6	7.02.09.004	Upper shaft bushing	1	1
7	7.02.04.008	Bearing	1	1
8	7.02.03.330	Upper shaft	1	1
9	7.02.07.262	Thread winder driven wheel	1	1
10	7.02.15.057	Driven wheel screw	2	2
11	7.02.07.003	Timing belt (Upper)	1	1
12	7.02.07.266	Timing belt wheel (Upper)	1	1
13	7.02.15.050	Set screw	3	3
14	7.02.07.002	Timing belt wheel (Middle)	2	2
15	7.02.15.051	Fixing screw	3	3
16	7.02.15.050	Set screw	3	3
17	7.02.16.415	Elastic component of clutch	1	1
18	7.02.08.473	Coupling	1	1
19	7.02.04.152	Bearing	1	1
20	7.02.19.343	Direct driven motor	1	1
21	7.02.15.445	Mounting screw	4	4
22	7.02.04.007	Bearing	1	1
23	7.02.08.003	Upper shaft bushing	1	1
24	7.02.15.050	Set screw	2	2
25	7.02.09.00502	Stitch length indicating ring	1	
	7.02.09.01002	Stitch length indicating ring		1
26	7.02.07.00101	Belt pulley	1	1
27	7.02.15.052	Belt pulley fixing screw	1	1
28	7.02.15.064	Belt pulley set screw	1	1
29	7.02.18.001	Spacer	1	1
30	7.02.15.016	Screw	1	1
31	7.02.18.120	Wave shape washer	1	1
32	7.02.19.012	Magnetic block	2	2
33	7.02.11.083	Stopper needle fixed plate	1	
34	7.02.03.332	Pulley shaft	1	1
35	7.02.04.012	Bearing	1	1
36	7.02.18.020	Elastic stop ring	1	1

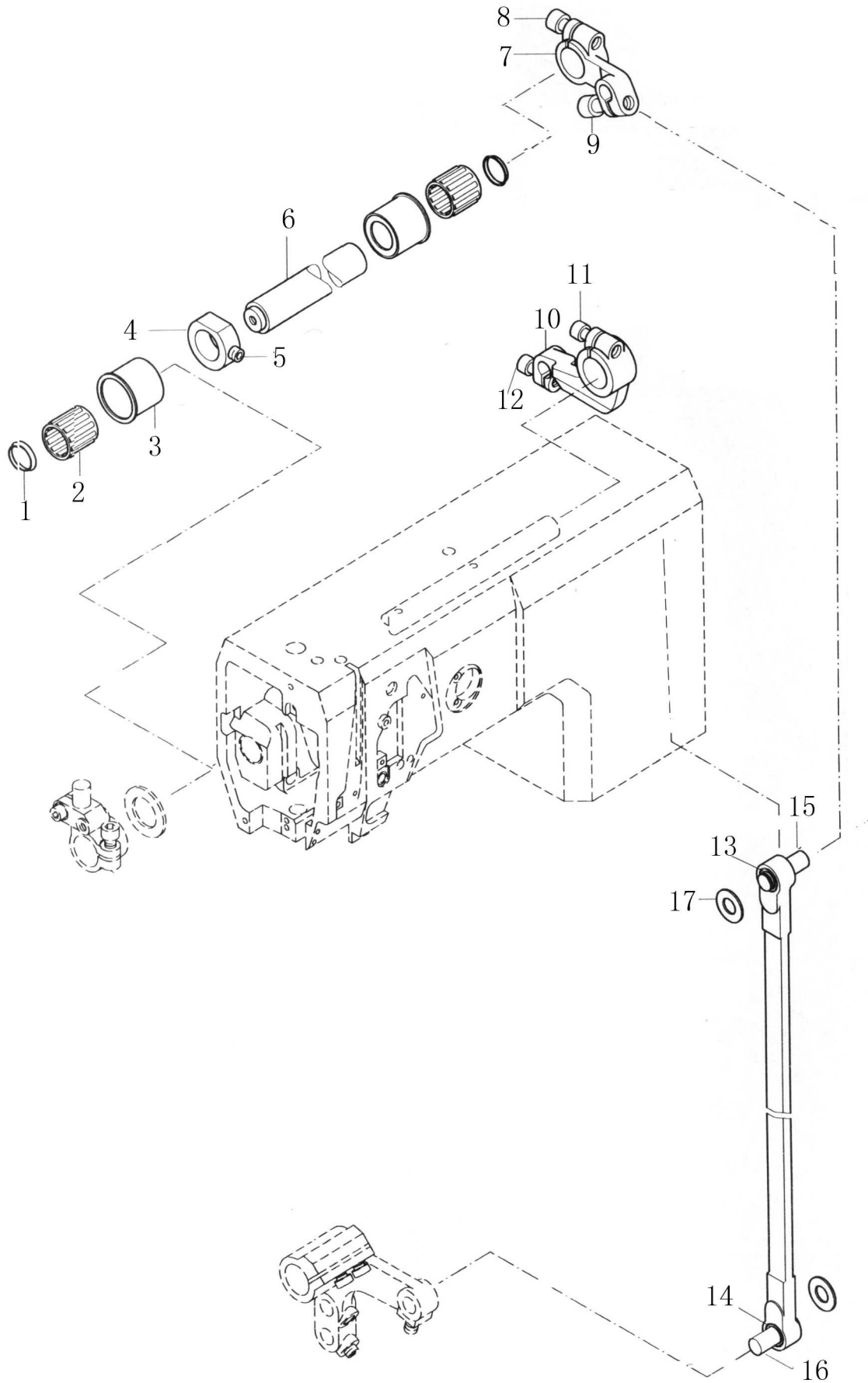
## E. Main shaft driving parts

---





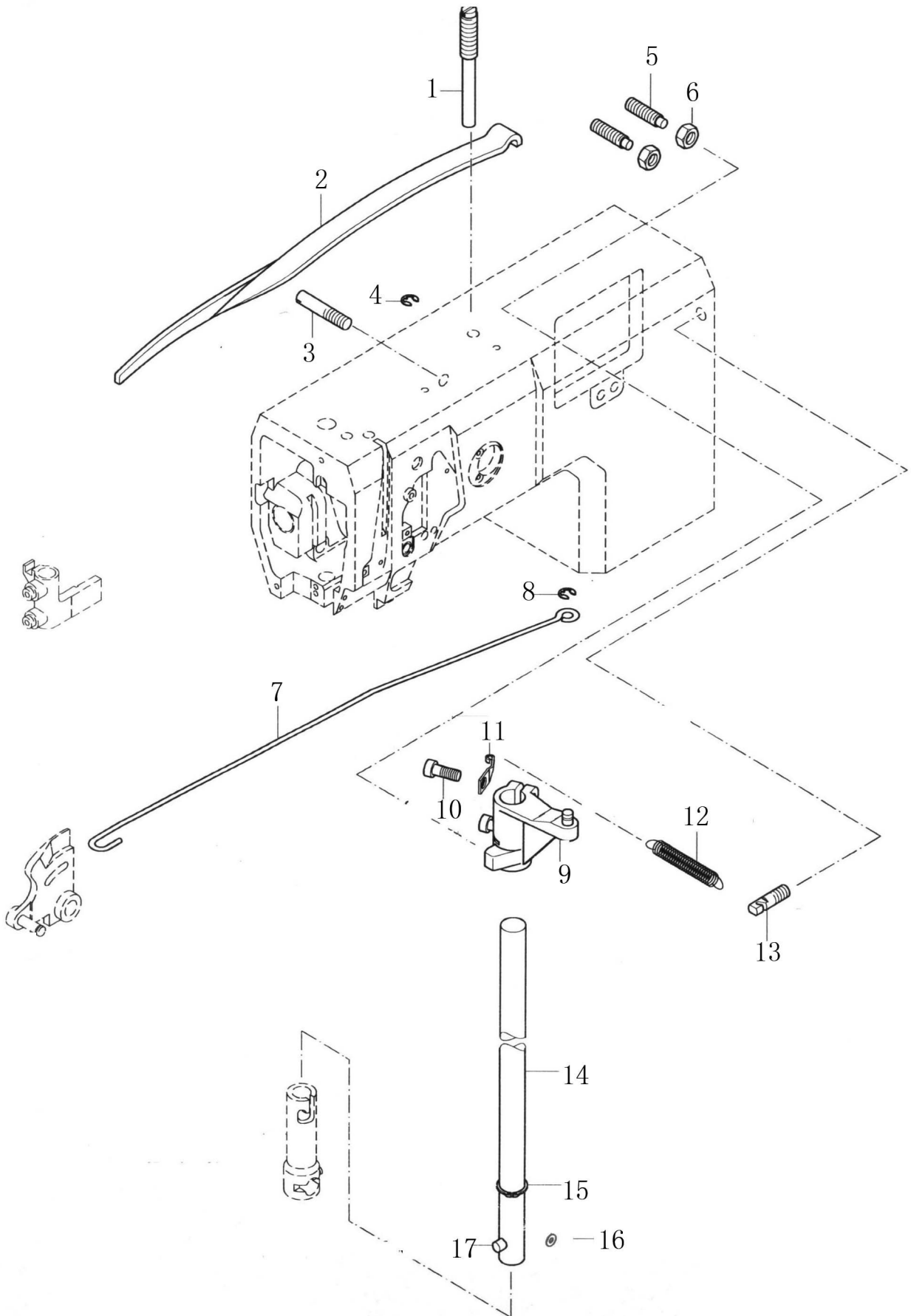
## F. Upper side shaft feed parts







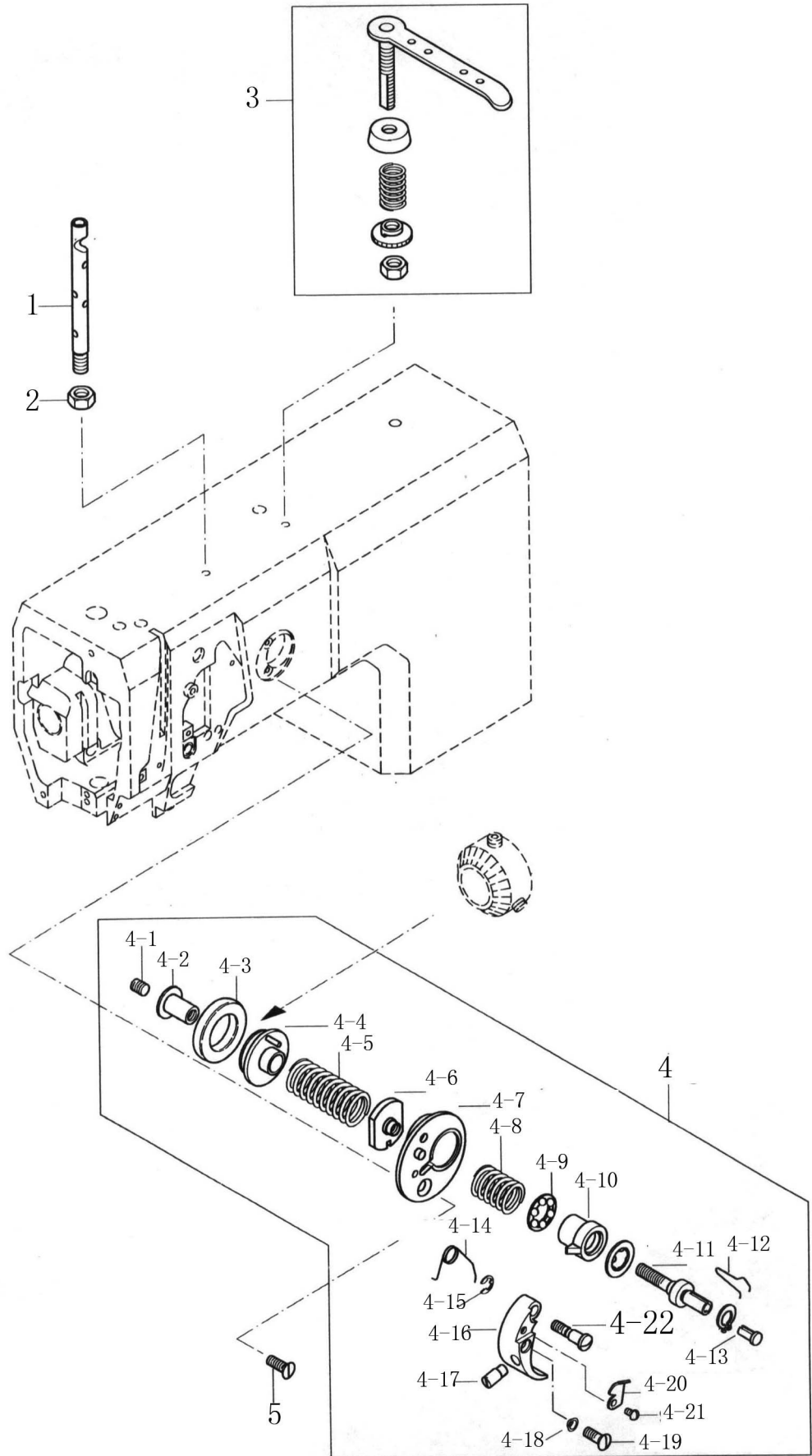
# G. Presser foot lifting parts



## H. Bobbin winder parts

No.	Part No.	Name	1 Needle	2 Needle
1	7.02.21.029	Thread post	1	1
2		Nut	1	1
3	7.02.01.302	Bobbin winder thread tension assy.	1	1
4	7.02.01.281	Bobbin winder assy.	1	1
4-1		Stopper screw	1	1
4-2		Stopper block	1	1
4-3		Rubber ring	1	1
4-4		Driven wheel	1	1
4-5		Spring	1	1
4-6		Adjusting plate	1	1
4-7		Bobbin winder seat	1	1
4-8		Spring	1	1
4-9		Bearing	2	2
4-10		Bushing	1	1
4-11		Shaft	1	1
4-12		Spring	1	1
4-13		Plastic plug	1	1
4-14		Spring	1	1
4-15		E type ring	1	1
4-16		Adjusting seat	1	1
4-17		Adjusting bar	1	1
4-18		Washer	1	1
4-19		Screw	1	1
4-20		Cutter	1	1
4-21		Cutter screw	1	1
4-22		Screw	1	1
5	7.02.15.032	Screw	1	1

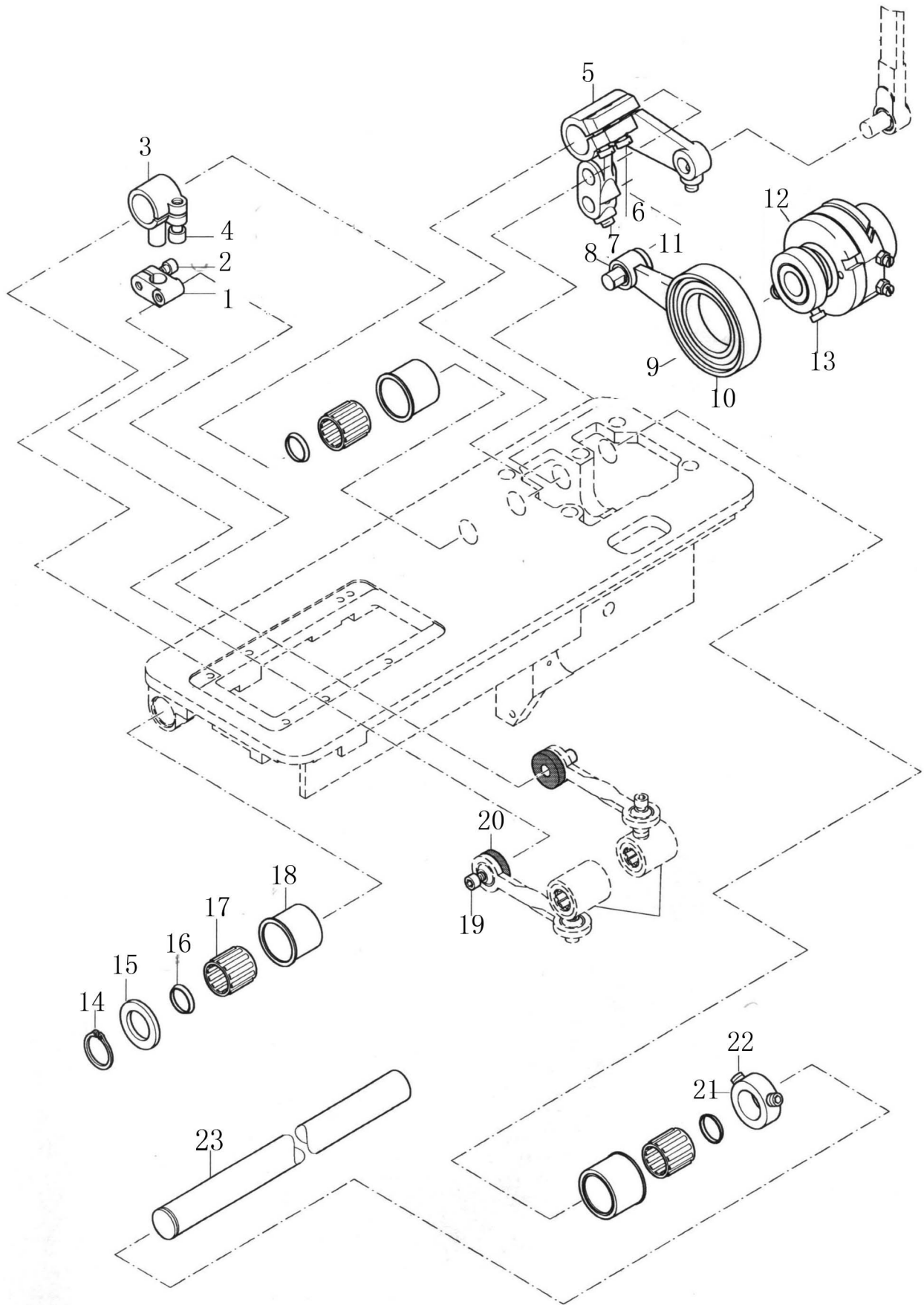
# H. Bobbin winder parts



I. Stitch length adjustment parts

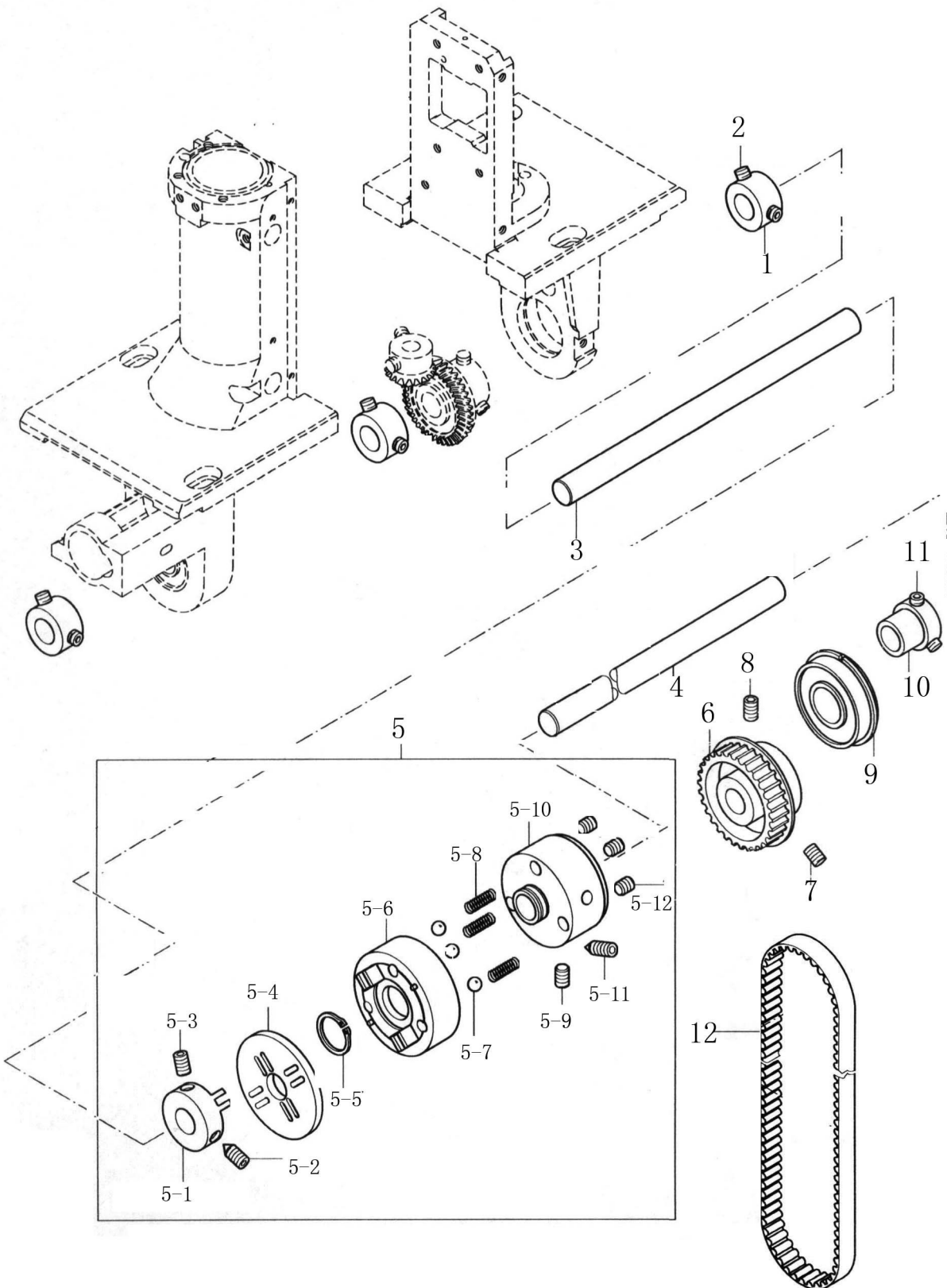
No.	Part No.	Name	1 Needle	2 Needle
1	7.02.08.006	Connecting holder	1	1
2	7.02.15.017	Screw	1	1
3	7.02.08.005	Crank	1	1
4	7.02.15.053	Screw	1	1
5	7.02.06.350	Crank	1	1
6	7.02.15.053	Screw	2	2
7	7.02.15.056	Set screw	2	2
8	7.02.04.009	Needle bearing	1	1
9	7.02.04.014	Bearing	1	1
10	7.02.05.010	Link	1	1
11	7.02.10.007	Pin (long)	1	1
12	7.02.01.007	Cam assy.	1	1
13		Set screw	2	2
14	7.02.18.022	Elastic stop ring	1	1
15	7.02.18.011	Washer	1	1
16	7.02.18.002	Disk type washer	6	6
17	7.02.04.010	Needle bearing	3	3
18	7.02.08.004	Bushing	3	3
19	7.02.15.010	Screw	2	2
20	7.02.16.010	Felt	2	2
21	7.02.09.006	Collar	1	1
22	7.02.15.054	Set screw	2	2
23	7.02.03.012	Main shaft	1	1

# I. Stitch length adjustment parts





# J. Clutch set parts

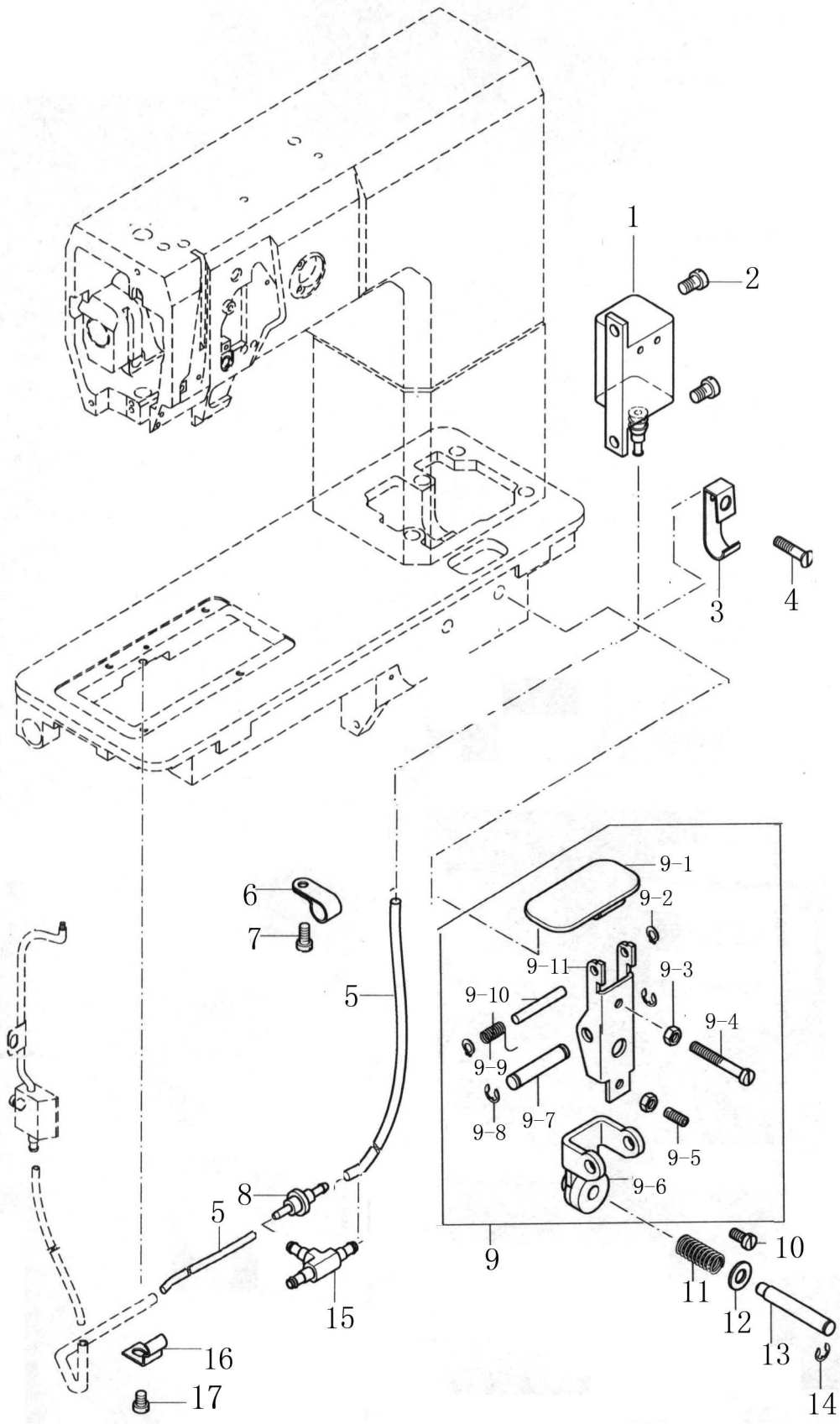


K. Oil lubrication parts

No.	Part No.	Name	1 Needle	2 Needle
1	7.02.16.304	Oil box	1	1
2	7.02.15.044	Screw	2	2
3	7.02.17.411	Fixed plate	1	1
4	7.02.15.975	Screw	1	1
5	7.02.16.047	Oil tube	1	1
6	7.02.16.166	Oil tube clamp	1	1
7	7.02.15.006	Screw	1	1
8	7.02.16.307	Oil tube joint	1	1
9	7.02.01.339	Stitch length regulator	1	1
9-1		Adjusting plate	1	1
9-2		Spring	2	2
9-3		Nut	2	2
9-4		Limiting screw bar	1	1
9-5		Screw	1	1
9-6		Supporting seat	1	1
9-7		Connecting pin	1	1
9-8		C type spring	2	2
9-9		Spring	1	1
9-10		Connecting pin	1	1
9-11		Stitch length regulator seat	1	1
10	7.02.15.006	Screw	1	1
11	7.02.17.380	Spring	1	1
12	7.02.18.290	Washer	1	1
13	7.02.10.442	Pin	1	1
14	7.02.18.039	Split retaining ring	1	1
15	7.02.16.250	Oil tube joint		1
16	7.02.17.412	Oil tube clamp		1
17	7.02.15.022	Screw		1



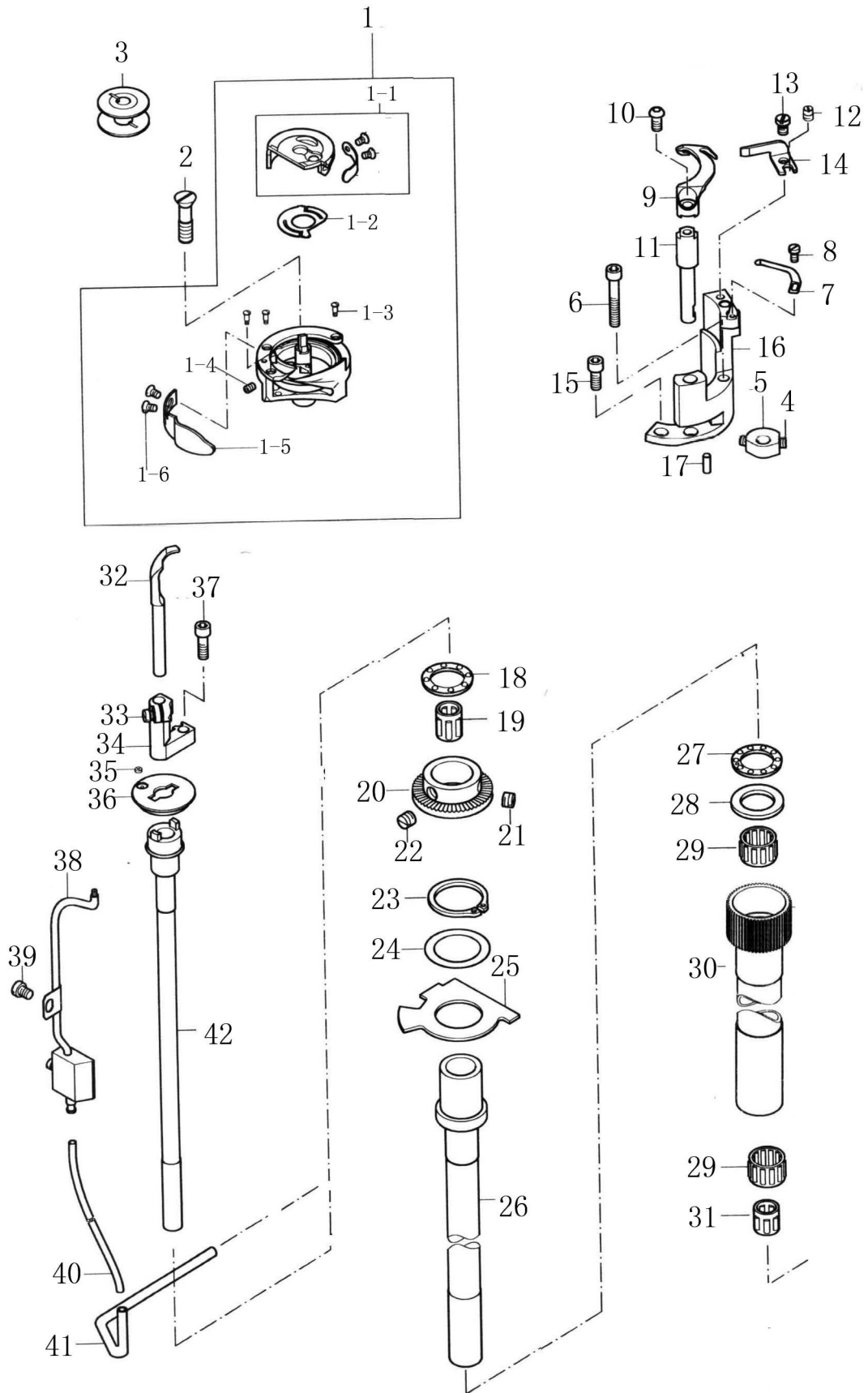
# K. Oil lubrication parts



## L. Hook parts (Left)

No.	Part No.	Name	1 Needle	2 Needle
1	7.02.01.285	Hook assy.		1
1-1		Bobbin case		1
1-2		Elastic gasket		1
1-3		Screw		3
1-4		Screw		1
1-5		Needle guard slice		1
1-6		Screw		2
2	7.02.15.038	Screw		1
3	7.02.21.385	Bobbin		1
4	7.02.15.047	Screw		2
5	7.02.07.205	Driven gear		1
6	7.02.15.799	Screw (Long)		1
7	7.02.20.051	Thread trimming clamp plate		1
8	7.02.15.801	Screw		1
9	7.02.20.052	Movable knife		1
10	7.02.15.973	Screw		1
11	7.02.03.342	Driven shaft		1
12	7.02.10.458	Eccentric pin		1
13	7.02.15.433	Screw		1
14	7.02.20.050	Fixed knife		1
15	7.02.15.063	Screw (Short)		1
16	7.02.01.352	Movable knife bracket		1
17	7.02.10.370	Position pin		1
18	7.02.04.019	Bearing		1
19	7.02.04.018	Needle bearing		1
20	7.02.07.206	Gear		1
21	7.02.15.054	Screw		1
22	7.02.15.247	Set screw		2
23	7.02.18.255	Elastic retaining ring		1
24	7.02.18.256	Washer		1
25	7.02.11.386	Oil guard plate		1
26	7.02.08.027	Bushing		1
27	7.02.04.113	Bearing		1
28	7.02.18.257	Washer		1
29	7.02.04.020	Bearing		2
30	7.02.01.356	Bushing		1
31	7.02.04.009	Needle bearing		1
32	7.02.01.288	Thread distributing claw		1
33	7.02.15.420	Screw		1
34	7.02.01.289	Thread distributing claw bracket		1
35	7.02.16.300	Seal ring		1
36	7.02.11.385	Oil supply plate		1
37	7.02.15.577	Screw		1
38	7.02.16.303	Oil supply valve		1
39	7.02.15.022	Screw		1
40	7.02.16.047	Oil tube		1
41	7.02.16.309	Copper oil tube		1
42	7.02.03.340	Shaft		1

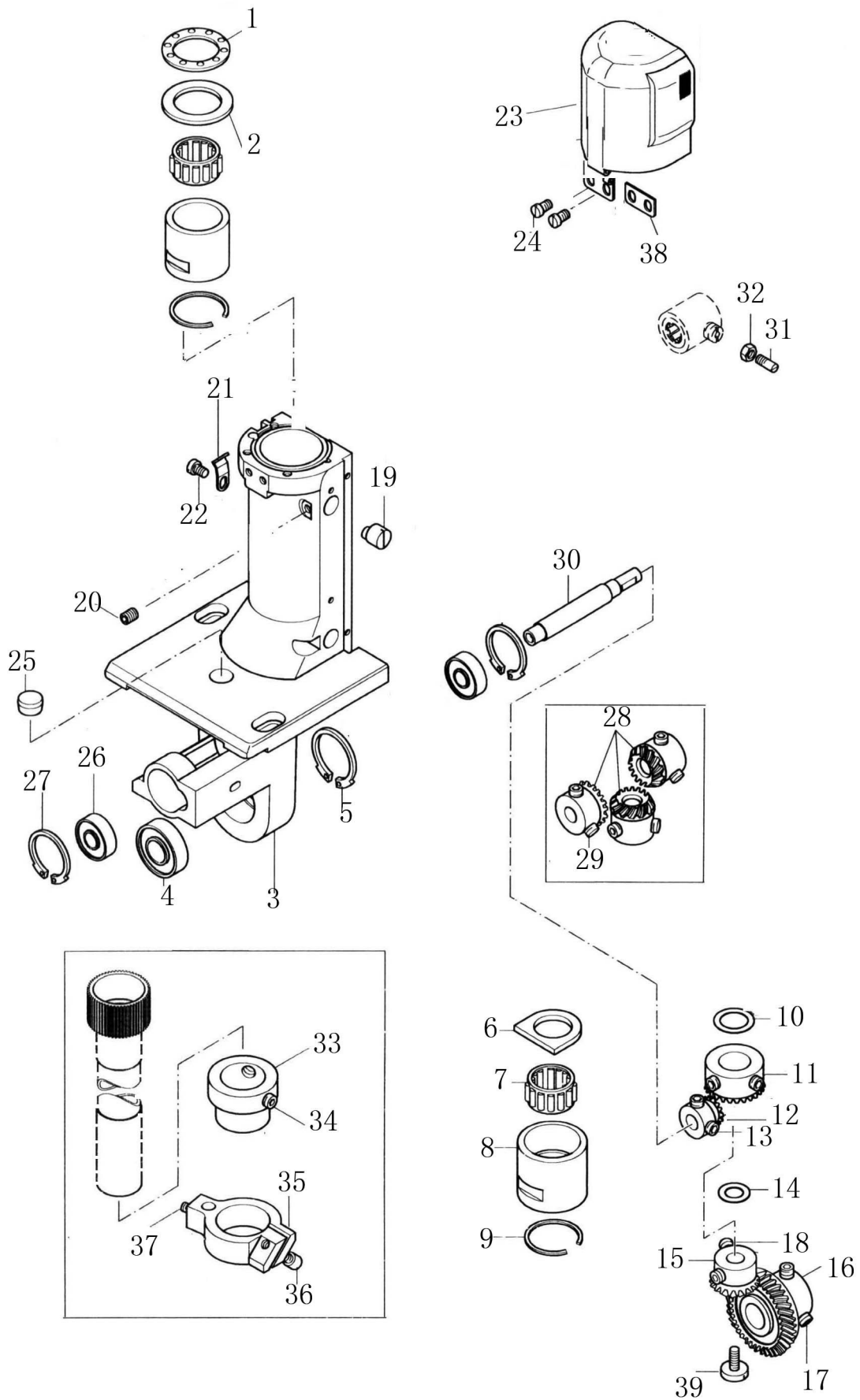
L. Hook parts (Left)



## M. Left side bracket parts

No.	Part No.	Name	1 Needle	2 Needle
1	7.02.04.111	Bearing		1
2	7.02.18.253	Washer		1
3	7.02.13.29201	Left side bracket		1
4	7.02.04.110	Ball bearing		7
5	7.02.18.250	Elastic retaining ring		1
6	7.02.16.301	Oil felt		1
7	7.02.04.112	Needle bearing		2
8	7.02.08.393	Bushing		2
9	7.02.18.254	Elastic retaining ring		2
10	7.02.18.258	Washer		1
11	7.02.07.015	Gear (Large)		1
12	7.02.07.016	Gear (Small)		1
13	7.02.15.054	Screw		4
14	7.02.18.013	Washer		1
15	7.02.07.011	Gear (Small)		1
16	7.02.07.012	Gear (Large)		1
17	7.02.15.050	Screw		2
18	7.02.15.054	Screw		2
19	7.02.10.011	Adjusting pin		1
20	7.02.15.035	Screw		1
21	7.02.17.350	Spring plate		1
22	7.02.15.433	Screw		1
23	7.02.02.391	Post cap assy.		1
24	7.02.15.005	Screw		2
25	7.02.16.409	Plastic plug		1
26	7.02.04.016	Ball bearing		2
27	7.02.18.027	Elastic retaining ring		2
28	7.02.07.269	Gear		1
29	7.02.15.247	Screw		6
30	7.02.03.015	Shaft		1
31	7.02.15.041	Screw		1
32	7.02.15.268	Nut		1
33	7.02.09.080	Collar		1
34	7.02.15.054	Screw		2
35	7.02.06.278	Thread trimming crank		1
36	7.02.15.063	Screw		1
37	7.02.15.056	Screw		1
38		Washer		1

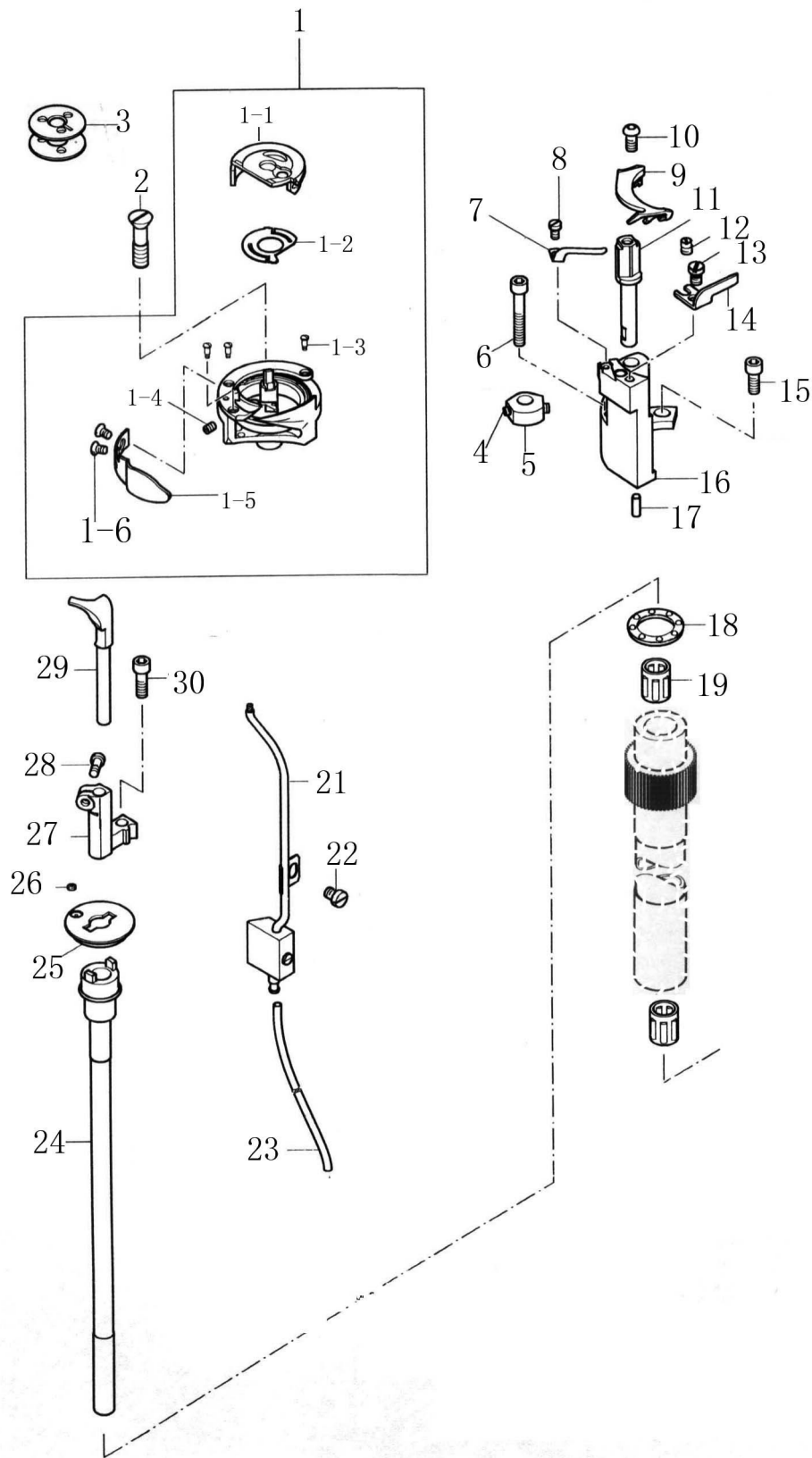
# M. Left side bracket parts



### N. Hook thread parts (Right)

No.	Part No.	Name	1 Needle	2 Needle
1	7.02.01.285	Hook assy.	1	1
1-1		Bobbin case	1	1
1-2		Elastic gasket	1	1
1-3		Screw	3	3
1-4		Screw	1	1
1-5		Needle guard slice	1	1
1-6		Screw	2	2
2	7.02.15.038	Screw	1	1
3	7.02.21.385	Bobbin	1	1
4	7.02.15.047	Screw	2	2
5	7.02.07.205	Driven gear	1	1
6	7.02.15.799	Screw (Long)	1	1
7	7.02.20.051	Thread trimming clamp plate	1	1
8	7.02.15.801	Screw	1	1
9	7.02.20.052	Movable knife	1	1
10	7.02.15.973	Screw	1	1
11	7.02.03.342	Driven shaft	1	1
12	7.02.10.458	Eccentric pin	1	1
13	7.02.15.433	Screw	1	1
14	7.02.20.050	Fixed knife	1	1
15	7.02.15.063	Screw (Short)	1	1
16	7.02.01.352	Movable knife bracket	1	1
17	7.02.10.370	Position pin	1	1
18	7.02.04.019	Bearing	1	1
19	7.02.04.018	Needle bearing	2	2
21	7.02.16.303	Oil supply valve	1	1
22	7.02.15.022	Screw	1	1
23	7.02.16.047	Oil tube	1	1
24	7.02.03.340	Shaft	1	1
25	7.02.11.385	Oil supply plate	1	1
26	7.02.16.300	Seal ring	1	1
27	7.02.01.289	Thread distributing claw bracket	1	1
28	7.02.15.420	Screw	1	1
29	7.02.01.288	Thread distributing claw	1	1
30	7.02.15.577	Screw	1	1

N. Hook thread parts (Right)

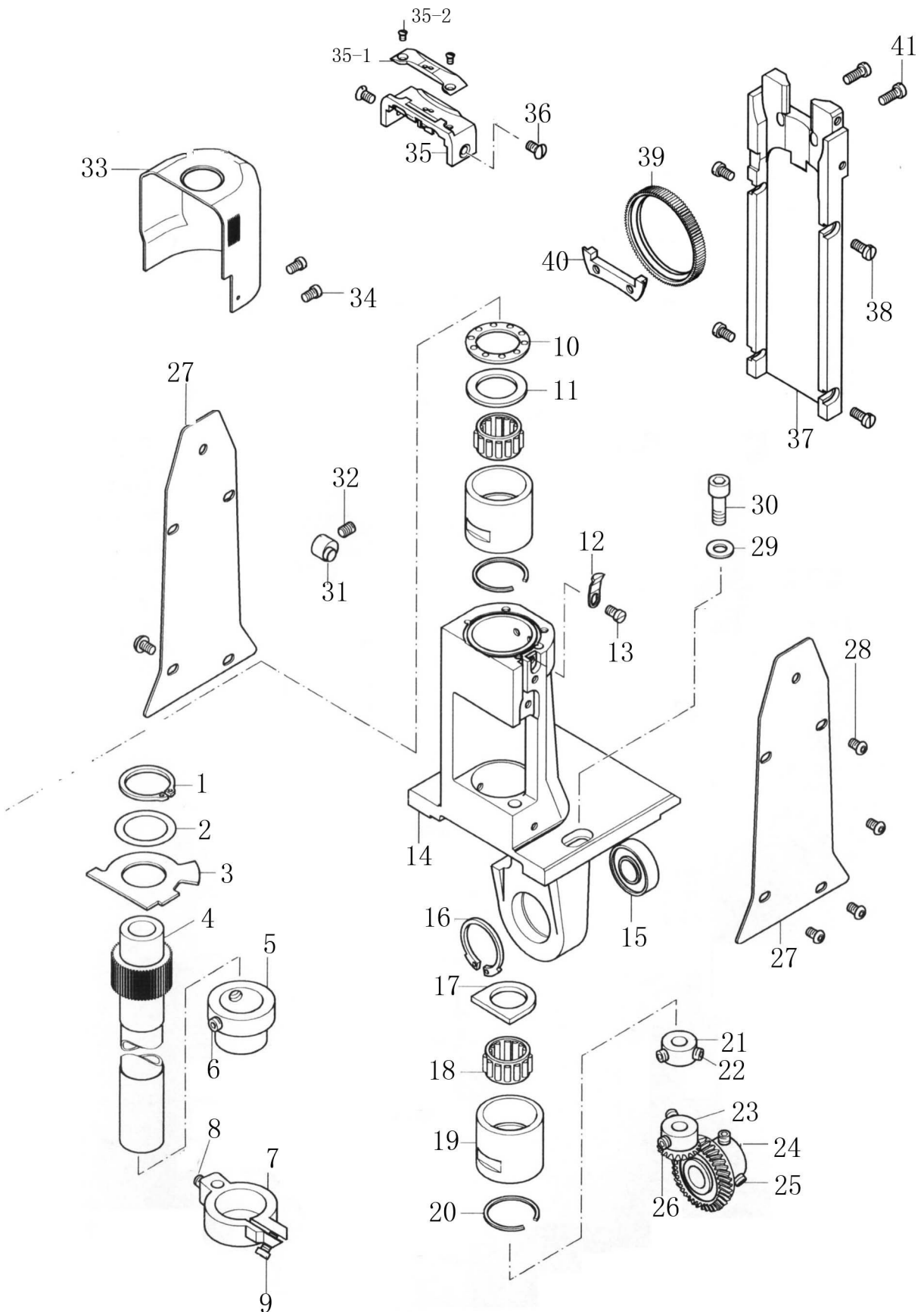


## O. Right side bracket parts

No.	Part No.	Name	1 Needle	2 Needle
1	7.02.18.251	Elastic retaining ring	1	1
2	7.02.18.252	Washer	1	1
3	7.02.11.386	Oil guard plate	1	1
4	7.02.08.392	Bushing	1	1
5	7.02.09.080	Bushing collar	1	1
6	7.02.15.054	Screw	2	2
7	7.02.06.279	Thread trimming crank	1	1
8	7.02.15.056	Crank screw	1	1
9	7.02.15.063	Set screw	1	1
10	7.02.04.111	Bearing	1	1
11	7.02.18.253	Washer	1	1
12	7.02.17.350	Spring plate	1	1
13	7.02.15.433	Screw	1	1
14	7.02.13.29001	Side bracket (Right)	1	1
15	7.02.04.110	Ball bearing	1	1
16	7.02.18.250	Elastic retaining ring	1	1
17	7.02.16.301	Oil felt	1	1
18	7.02.04.112	Needle bearing	2	2
19	7.02.08.393	Bushing	1	1
20	7.02.18.254	Elastic retaining ring	1	1
21	7.02.09.115	Washer	1	1
22	7.02.15.054	Screw	2	2
23	7.02.07.011	Gear (Small)	1	1
24	7.02.07.012	Gear (Large)	1	1
25	7.02.15.050	Screw	2	2
26	7.02.15.054	Screw	2	2
27	7.02.11.384	Cover plate	1	
	7.02.11.486	Cover plate	1	
	7.02.11.485	Cover plate		2
		Cover plate		1
28	7.02.15.973	Cover plate screw	8	8
29	7.02.18.003	Washer	2	2
30	7.02.15.965	Screw	2	2
31	7.02.10.011	Adjusting pin	1	1
32	7.02.15.035	Adjusting pin set screw	1	1
33	7.02.02.391	Post cap assy.	1	1
34	7.02.15.005	Set screw	2	4
35	7.02.01.284	Needle plate		1
35-1	7.02.23.111	Small needle plate		1
35-2	7.02.23.112	Small needle plate screw		2
36	7.02.15.032	Needle plate screw		2
37	7.02.13.29101	Support plate		1
38	7.02.15.006	Support plate screw		4
39	7.02.07.013	Feed wheel		1
40	7.02.17.002	Feed wheel position plate		1
41	7.02.15.017	Feed wheel position plate screw		2



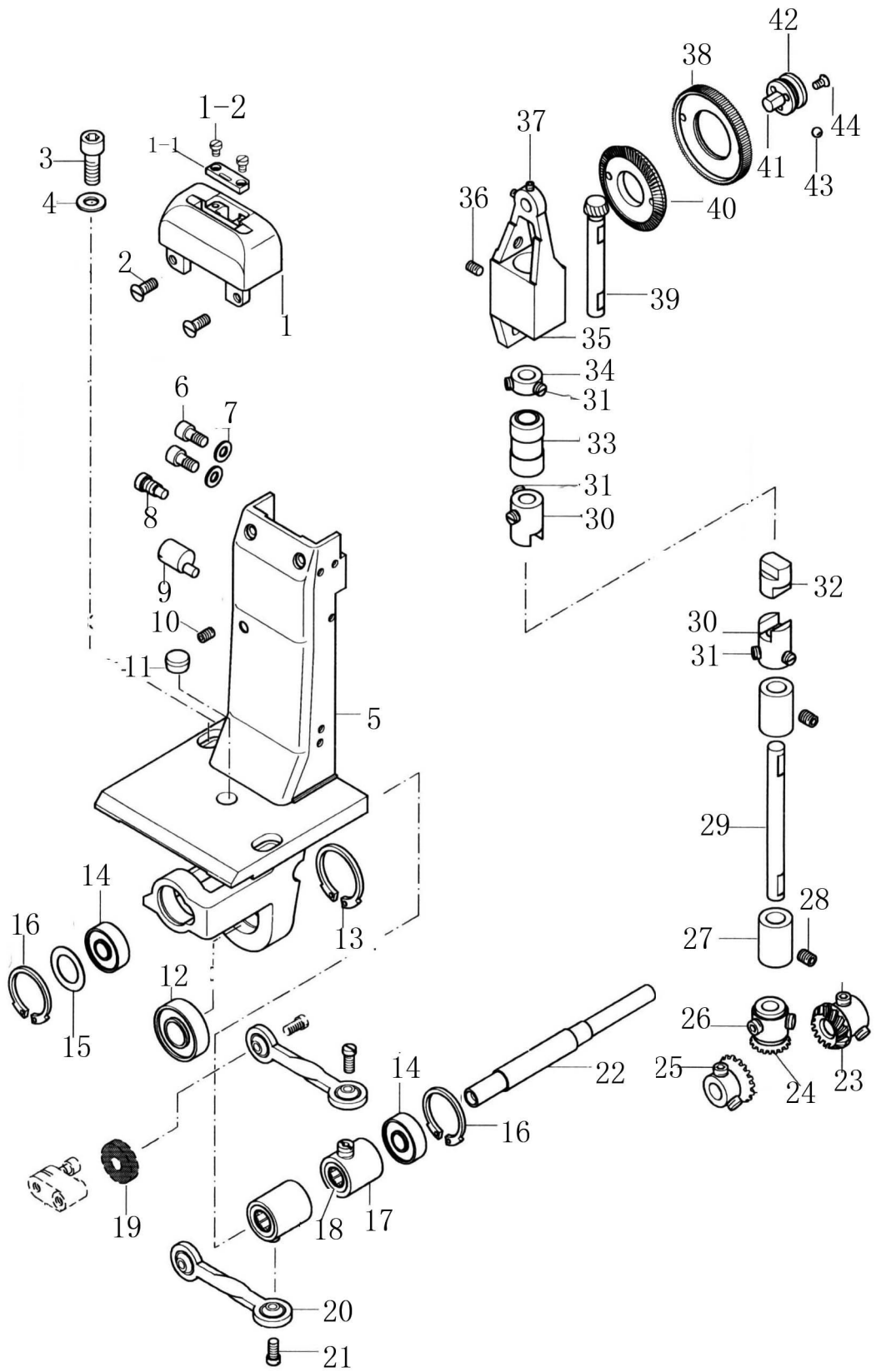
# O. Right side bracket parts



## P. Bed plate feed parts

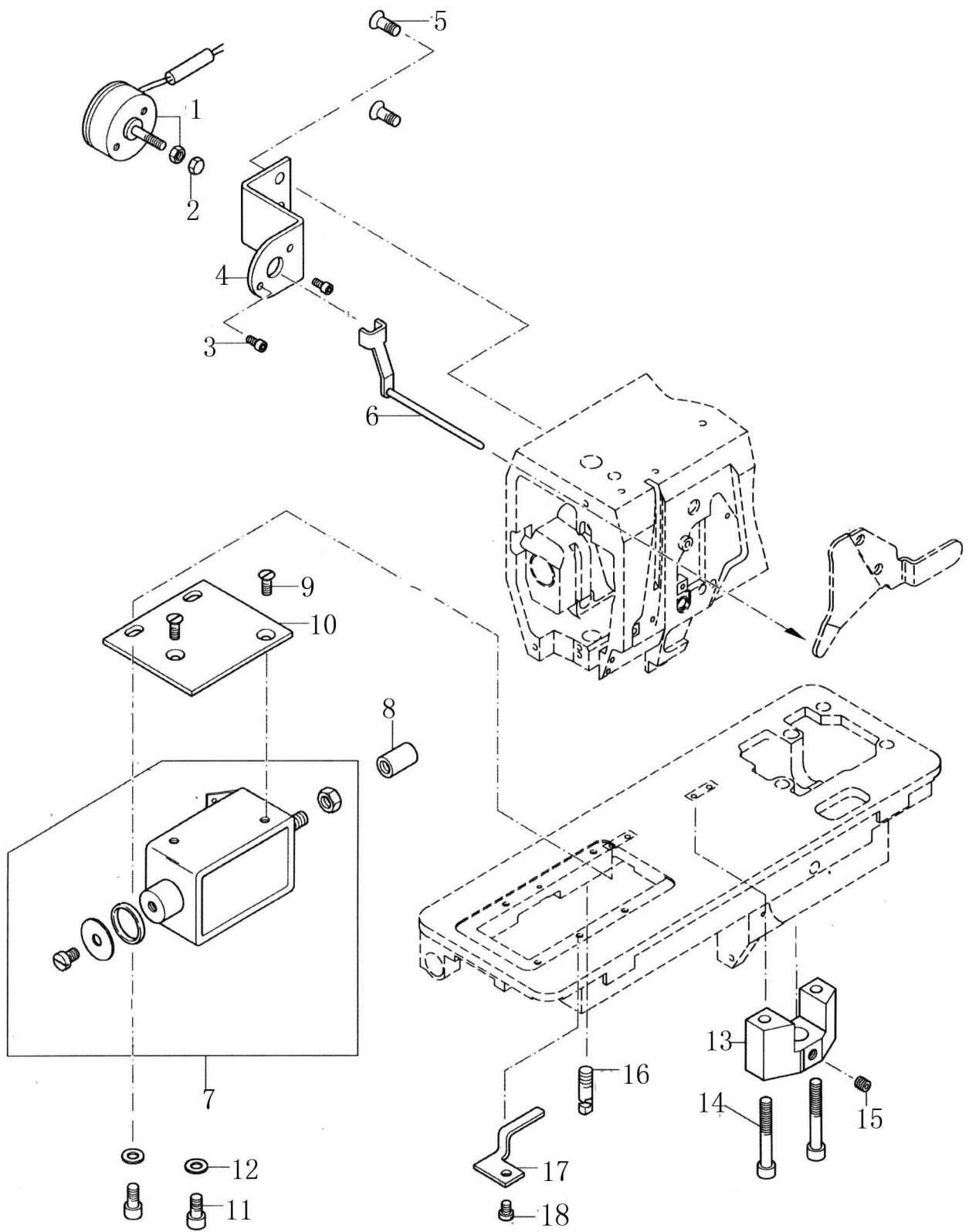
No.	Part No.	Name	1 Needle	2 Needle
1	7.02.01.283	Needle plate	1	
1-1	7.02.23.113	Small needle plate	1	
1-2	7.02.23.114	Small needle plate screw	2	
2	7.02.15.032	Needle plate screw	2	
3	7.02.15.965	Screw	2	
4	7.02.18.003	Washer	2	
5	7.02.13.28901	Support plate	1	
6	7.02.15.053	Screw	2	
7	7.02.18.016	Washer	2	
8	7.02.15.030	Screw	1	
9	7.02.10.010	Adjusting pin	1	
10	7.02.15.031	Adjusting pin set screw	1	
11	7.02.16.409	Plastic plug	1	
12	7.02.04.110	Ball bearing	1	
13	7.02.18.250	Elastic retaining ring	1	
14	7.02.04.016	Ball bearing	1	
15		Washer	1	
16	7.02.18.027	Elastic retaining ring	1	
17	7.02.08.017	Free-wheeling seat	2	
18	7.02.04.001	Needle bearing	2	
19	7.02.16.010	Oil felt	4	
20	7.02.05.001	Link	2	
21	7.02.15.040	Screw	4	
22	7.02.03.425	Shaft	1	
23	7.02.07.009	Bevel gear (Small)	2	
24	7.02.07.170	Bevel gear (Medium)	1	
25	7.02.15.054	Screw	4	
26	7.02.15.050	Screw	2	
27	7.02.08.035	Bushing	2	
28	7.02.15.049	Screw	2	
29	7.02.03.019	Shaft	1	
30	7.02.08.016	Bushing	2	
31	7.02.15.036	Screw	6	
32	7.02.16.004	Plastic joint	1	
33	7.02.08.015	Bushing	1	
34	7.02.09.002	Collar	1	
35	7.02.13.002	Bracket	1	
36	7.02.15.035	Screw	1	
37	7.02.15.061	Screw	2	
38	7.02.07.006	Feed wheel	1	
39	7.02.07.008	Bevel gear (Lower)	1	
40	7.02.07.007	Bevel gear (Upper)	1	
41	7.02.10.004	Roller bracket (Upper)	1	
42	7.02.10.002	Roller bracket (Lower)	1	
43	7.02.04.021	Ball (φ2)	24	
44	7.02.15.034	Screw	3	

# P. Bed plate feed parts



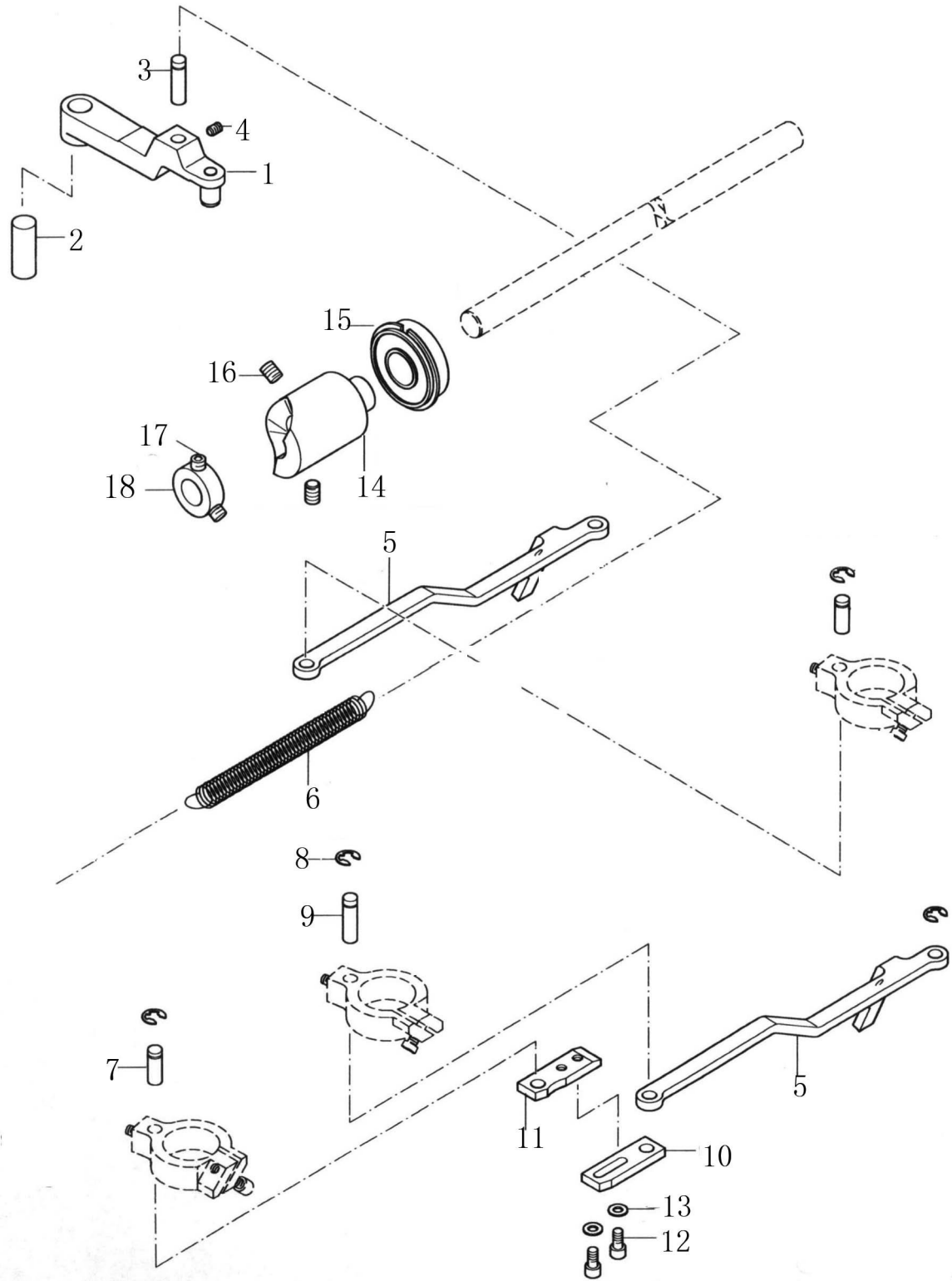


# Q. Solenoid for thread trimming parts





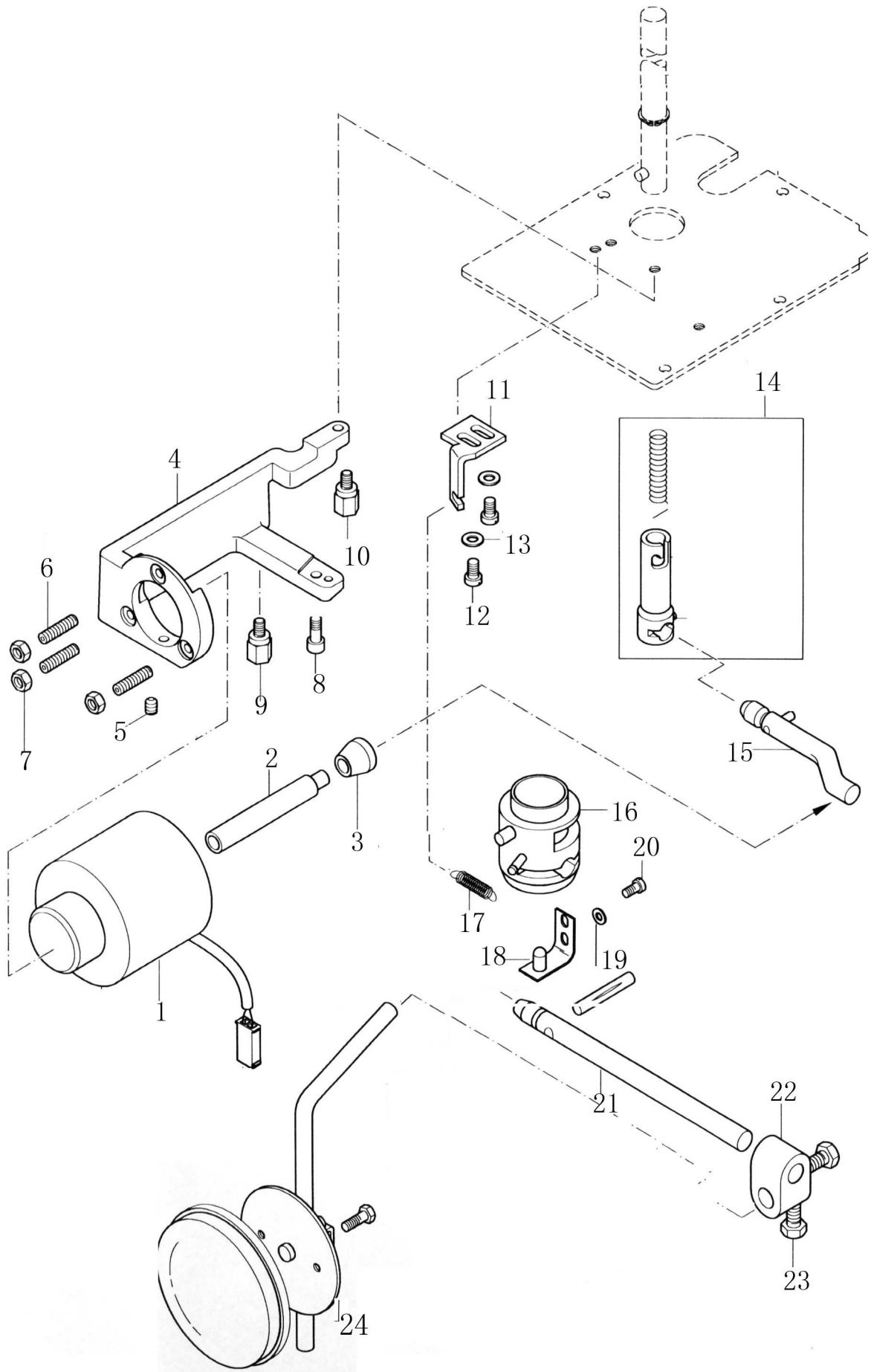
# R. Thread trimming driving parts







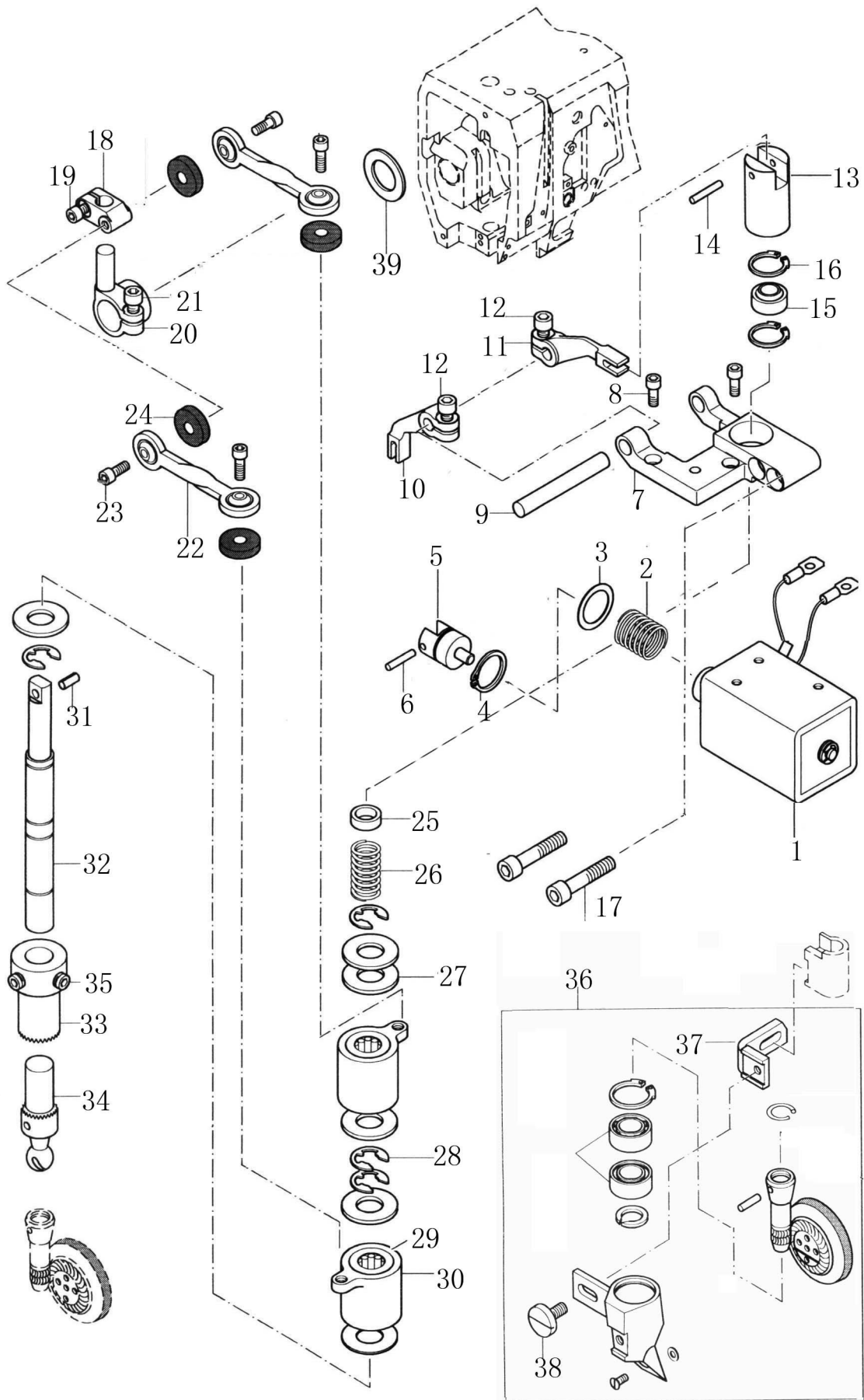
# S. Solenoid for presser foot lifting parts



## T. Upper feed and backstitch parts

No.	Part No.	Name	1 Needle	2 Needle
1	7.02.19.347	Backtack solenoid (Upper)	1	1
2	7.02.17.417	Spring	1	1
3	7.02.18.330	Washer	1	1
4	7.02.18.223	Elastic retaining ring	1	1
5	7.02.05.449	Solenoid joint	1	1
6	7.02.10.455	Pin	1	1
7	7.02.13.377	Solenoid bracket	1	1
8	7.02.15.555	Solenoid fixed screw	2	2
9	7.02.10.453	Shaft	1	1
10	7.02.05.444	Crank (Front)	1	1
11	7.02.05.443	Crank (Back)	1	1
12	7.02.15.803	Screw	2	2
13	7.02.08.471	Shaft joint	1	1
14	7.02.10.454	Pin	1	1
15	7.02.04.002	Bearing	1	1
16	7.02.18.025	Elastic retaining ring	2	2
17	7.02.15.445	Screw	2	2
18	7.02.08.006	Connecting holder	1	1
19	7.02.15.017	Screw	1	1
20	7.02.08.005	Crank	1	1
21	7.02.15.053	Screw	1	1
22	7.02.05.001	Link	2	2
23	7.02.15.010	Screw	4	4
24	7.02.16.010	Oil felt	4	4
25	7.02.09.116	Washer	1	1
26	7.02.17.321	Spring	1	1
27	7.02.18.005	Washer	4	4
28	7.02.18.028	E type ring	4	4
29	7.02.04.001	Needle bearing	2	2
30	7.02.08.001	Free-wheeling seat	2	2
31	7.02.10.262	Pin	1	1
32	7.02.03.423	Shaft	1	1
33	7.02.07.267	Castle wheel (Upper)	1	1
34	7.02.07.268	Castle wheel (Lower)	1	1
35	7.02.15.056	Screw	2	2
36	7.02.02.390	Roller presser foot	1	1
37	7.02.05.002	Connecting holder	1	1
38	7.02.15.011	Screw	1	1
39	7.02.15.011	Washer	1	1

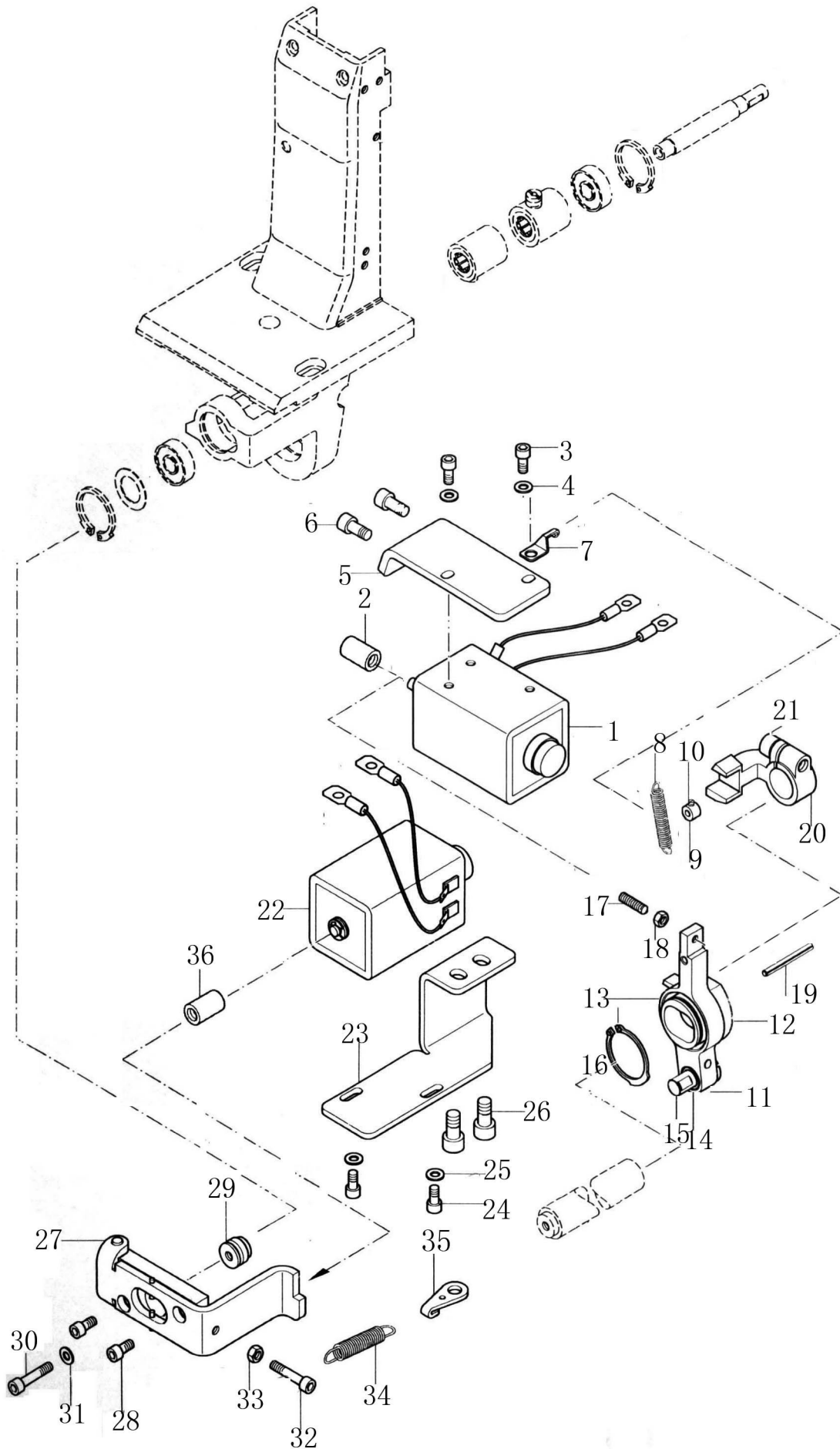
# T. Upper feed and backstitch parts



U.Lower feed and backstitch parts for single needle

No.	Part No.	Name	1 Needle	2 Needle
1	7.02.19.348	Needle bar vibrating switch solenoid	1	
2	7.02.10.460	Solenoid joint	1	
3	7.02.15.555	Solenoid screw	2	
4	7.02.18.071	Washer	2	
5	7.02.11.501	Solenoid fixed plate	1	
6	7.02.15.803	Fixed plate screw	2	
7	7.02.11.502	Spring fixed plate	1	
8	7.02.17.138	Spring	1	
9	7.02.09.118	Tightening ring	1	
10		Screw	2	
11	7.02.05.448	Link	1	
12	7.02.06.352	Slide block	1	
13	7.02.04.011	Needle bearing	1	
14	7.02.04.009	Needle bearing	1	
15	7.02.10.005	Fixed pin (Short)	1	
16	7.02.18.029	Elastic retaining ring	1	
17	7.02.15.575	Adjusting screw	1	
18	7.02.15.068	Nut	1	
19	7.02.10.459	Pin	1	
20	7.02.06.351	Crank	1	
21	7.02.15.048	Screw	1	
22	7.02.19.349	Backtack solenoid (Lower)	1	
23	7.02.11.492	Support plate	1	
24	7.02.15.555	Screw	2	
25	7.02.18.071	Washer	2	
26	7.02.15.594	Support plate screw	2	
27	7.02.01.350	Switch seat assy.	1	
28	7.02.15.555	Screw	2	
29	7.02.05.440	Switch joint	1	
30	7.02.15.971	Screw	1	
31	7.02.18.071	Washer	1	
32	7.02.15.970	Spring screw	1	
33	7.02.15.268	Nut	1	
34	7.02.17.414	Spring	1	
35	7.02.11.493	Spring fixed plate	1	
36	7.02.16.414	Backtack solenoid joint	1	

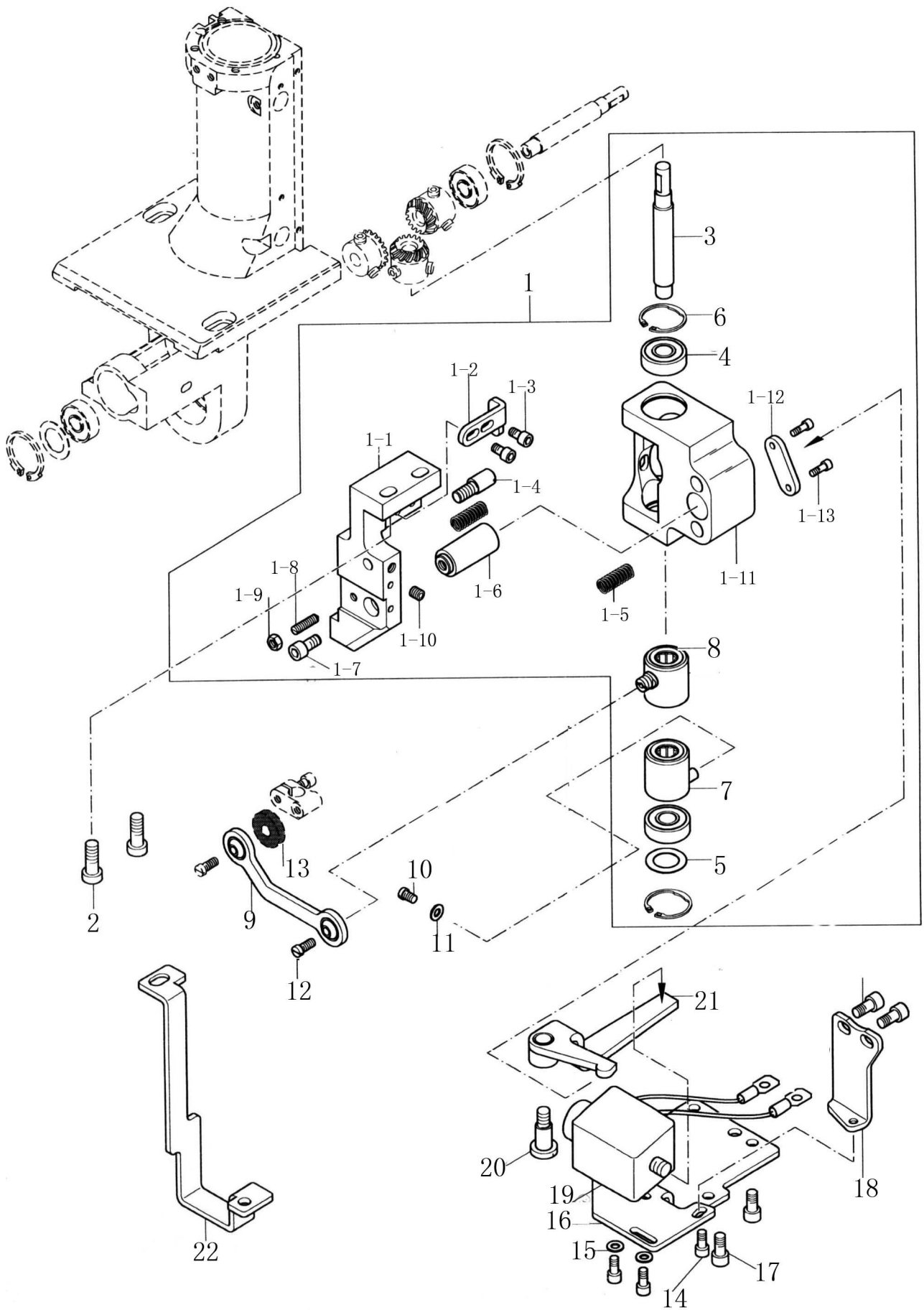
# U.Lower feed and backstitch parts for single needle



### V. Lower feed and backstitch parts for double needle

No.	Part No.	Name	1 Needle	2 Needle
1	7.02.01.355	Gear holder assy.		1
1-1		Fitting bracket		1
1-2	7.02.11.489	Stopper plate		1
1-3	7.02.15.063	Screw		2
1-4		Pin		1
1-5		Spring		2
1-6		Pin		1
1-7		Screw		1
1-8		Screw		1
1-9		Nut		1
1-10		Shaft		1
1-11		Gear seat		1
1-12	7.02.11.505	Connecting plate		1
1-13	7.02.15.432	Screw		2
2	7.02.15.048	Screw		1
3	7.02.03.426	Shaft		1
4	7.02.04.016	Ball bearing		1
5		Washer		1
6	7.02.18.027	Elastic retaining ring		1
7	7.02.08.017	Free-wheeling		2
8	7.02.04.001	Needle bearing		2
9	7.02.05.446	Link		1
10	7.02.15.040	Screw		1
11	7.02.18.071	Washer		1
12	7.02.15.010	Screw		2
13	7.02.16.010	Oil felt		2
14	7.02.15.555	Screw		3
15	7.02.18.071	Washer		4
16	7.02.11.490	Fitting plate		1
17	7.02.15.803	Screw		4
18	7.02.11.491	Fixed plate		1
19	7.02.19.349	Backtack solenoid (Lower)		1
20	7.02.15.978	Screw		1
21	7.02.05.447	Crank		1
22	7.02.13.378	Bracket		1

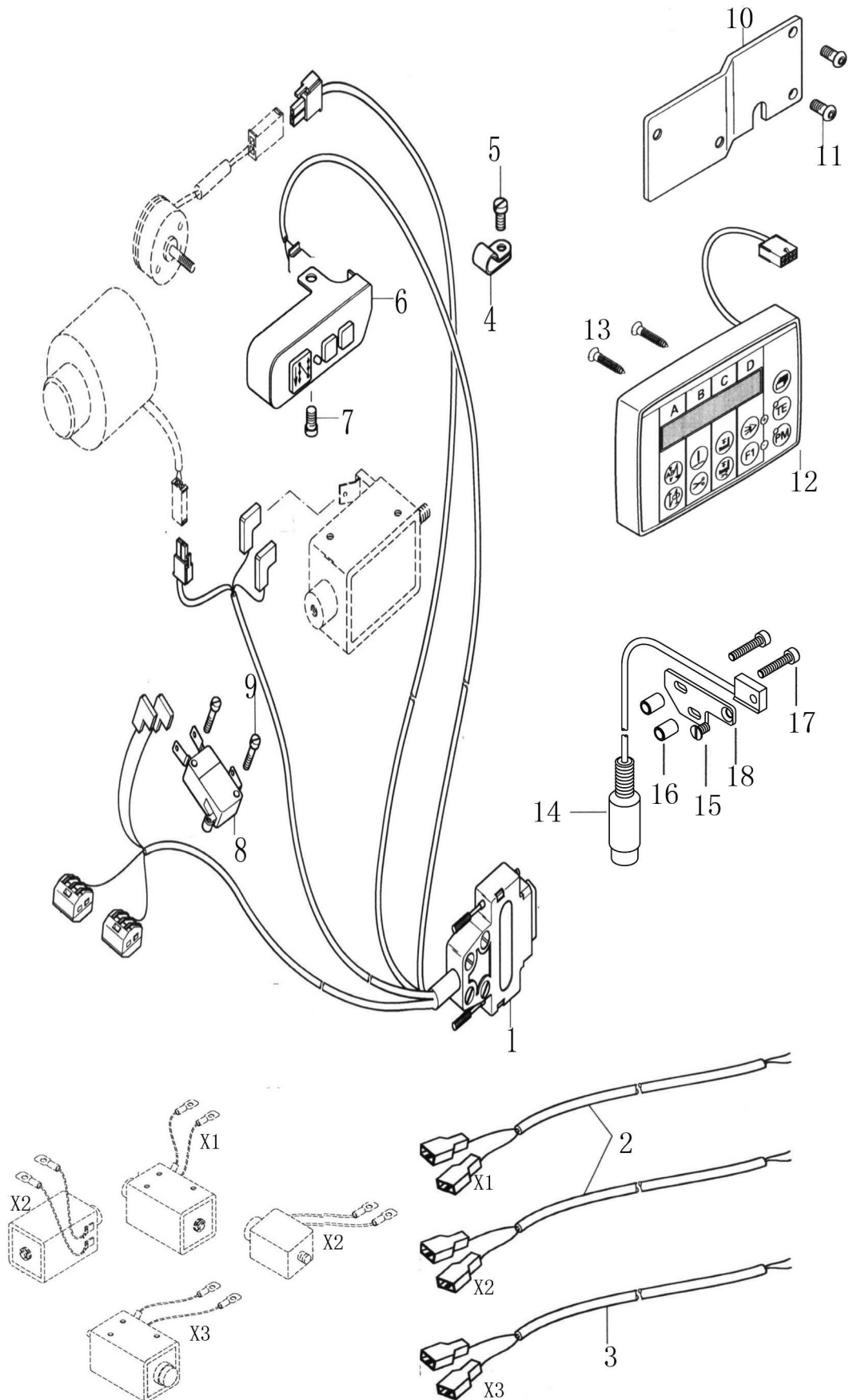
# V. Lower feed and backstitch parts for double needle







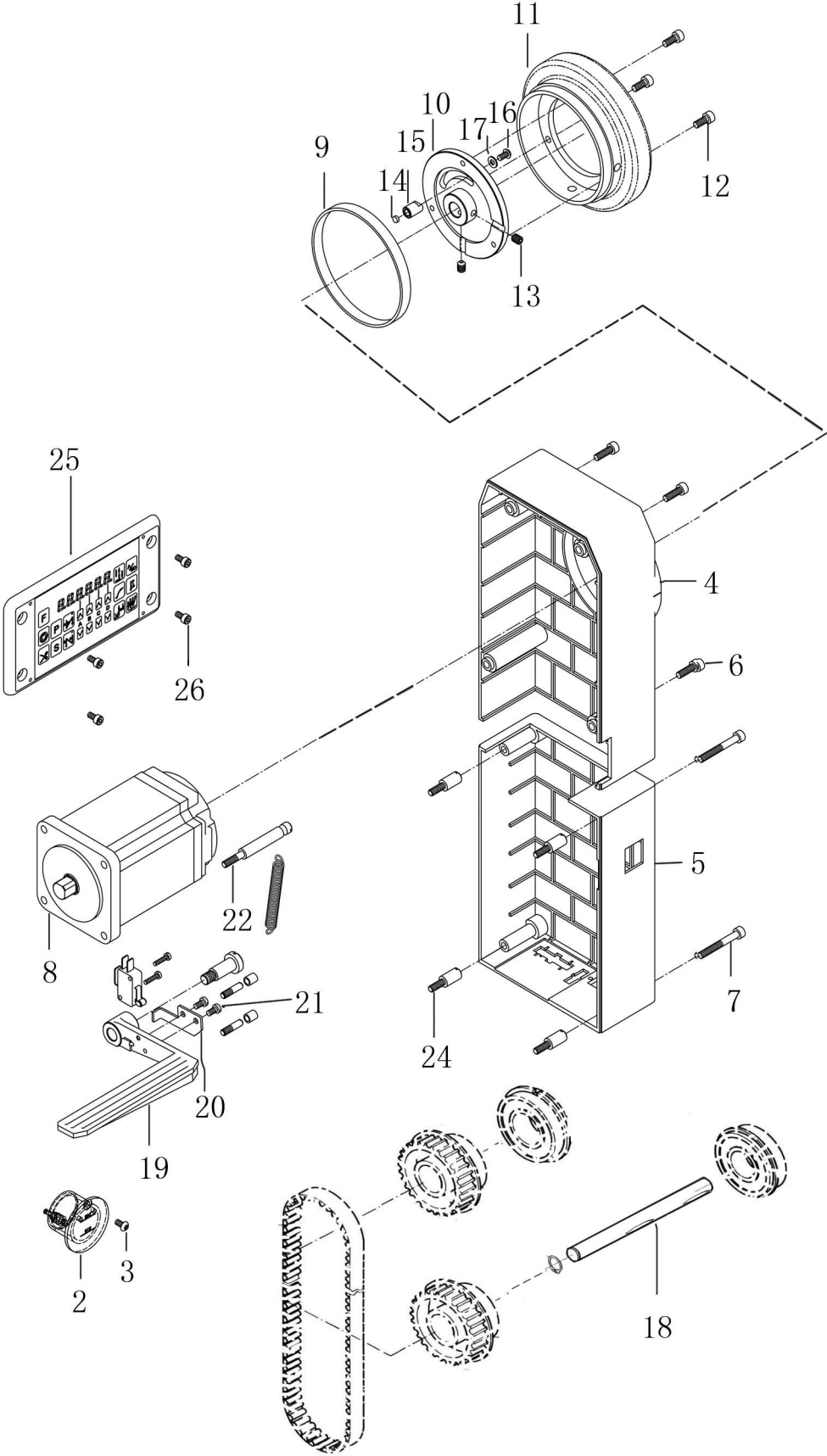
# W. Power cable connection



## X. Parts of integrated machine

No.	Part No.	Name	1 Needle	2 Needle
1	7.02.01.072	Machine case	1	1
2	7.02.16.430	Oil box Assy.	1	1
3	7.02.15.975	Oil box screw	1	1
4	7.02.16.431	Back over (Upper)	1	1
5	7.02.16.432	Back over (Lower)	1	1
6	7.02.15.058	Screw	4	4
7	7.02.15.997	Screw	4	4
8	7.02.19.359	Motor	1	1
9	7.02.09.120	Stitch length indicating ring	1	
	7.02.09.121	Stitch length indicating ring		1
10	7.02.07.280	Hand wheel (Small)	1	1
11	7.02.07.281	Hand wheel (Large)	1	1
12	7.02.15.803	Connecting screw	3	3
13	7.02.15.057	Fixing screw	2	2
14	7.02.19.012	Magnetic block	1	1
15	7.02.12.283	Magnetic block mounting column	1	1
16	7.02.19.975	Mounting screw	1	1
17	7.02.18.071	Washer	1	1
18	7.02.03.427	Middle shaft	1	1
19		Backstitch spanner	1	1
20	7.02.11.520	Backstitch switch connecting plate	1	1
21	7.02.15.006	Connecting plate screw	2	2
22	7.02.15.998	Backstitch spring pin	1	1
23		Mainboard	1	1
24	7.02.15.999	Mainboard mounting screw	4	4
25		Operating panel	1	1
26		Operating panel mounting screw	4	4

X. Parts of integrated machine



## Y. Accessories

No.	Part No.	Name	1 Needle	2 Needle
1	7.02.21.463	Padding block	2	2
2	7.02.21.464	Rubber cushion	2	2
3	7.02.21.46501	Oil reservoir	1	1
4	7.02.21.004	Hinge pin	2	2
5	7.02.21.005	Hinge connection seat	2	2
6	7.02.21.027	Pin	2	2
7	7.02.21.022	Head rest wood	1	1
8	7.02.21.006	Housing support stud	1	1
9	7.02.21.224	Wooden support	1	1
10		Screw	2	2
11	7.02.18.040	Washer	4	4
12	7.02.15.067	Nut	2	2
13	7.0221.033	Screw	6	6
14	7.02.21.001	Screw driver (Small)	1	1
15	7.02.21.002	Screw driver (Middle)	1	1
16	7.02.21.003	Screw driver (Large)	1	1
17	7.02.21.020	Packing bag	1	1
18	7.02.21.028	Oil can (middle)	4	4
19	7.02.21.462	Base plate	1	1
20	7.02.21.469	Thread stand	1	1
21	7.02.21.468	Thread stand	1	1
22	7.02.21.016	Needle	5	5
23	7.02.21.385	Bobbin	4	4

# Y. Accessories

