



WB 302 U 406

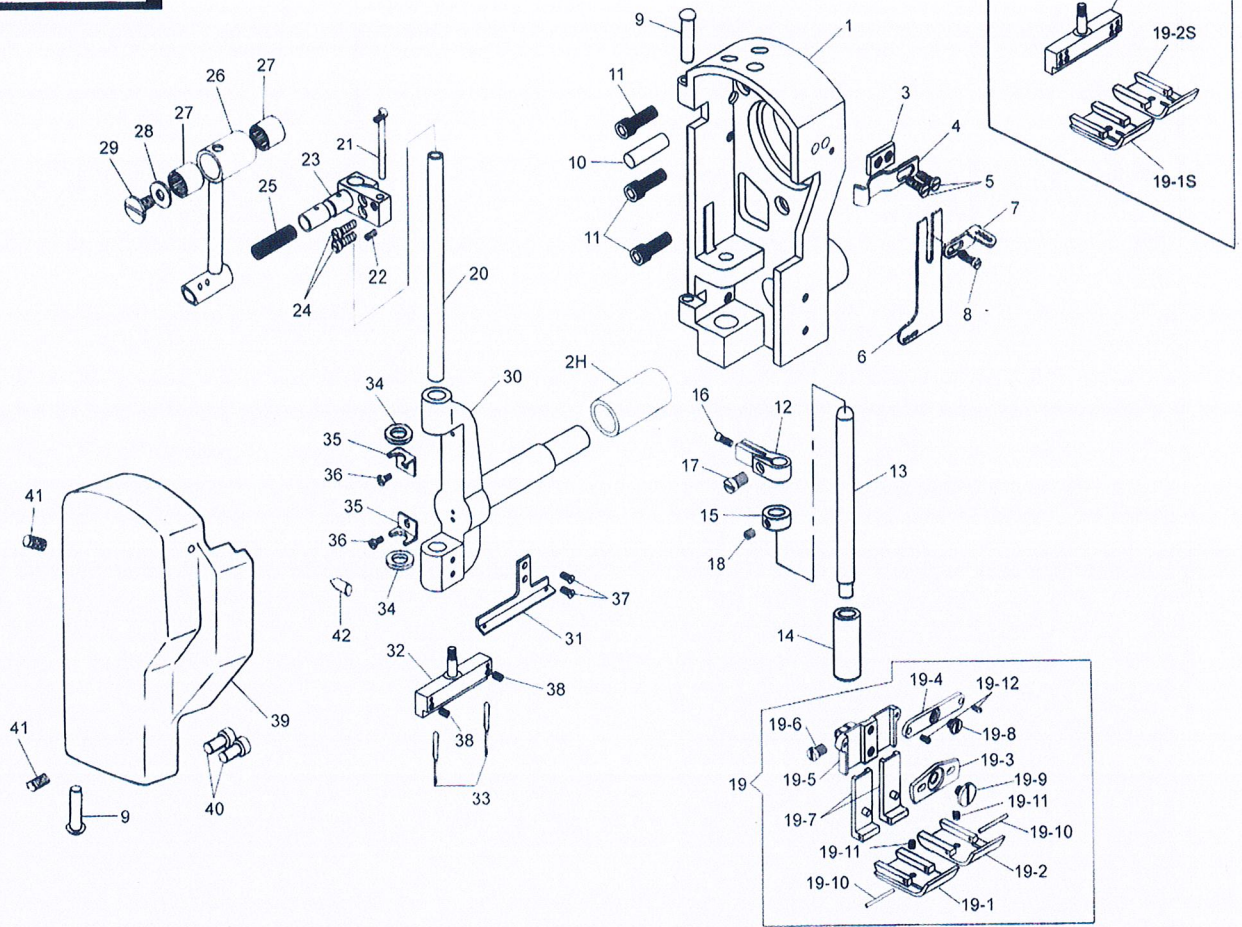
Spare Parts Manual

www.globalsew.com

info@globalsew.com

针杆室部件
TOP FRONT ASSEMBLY

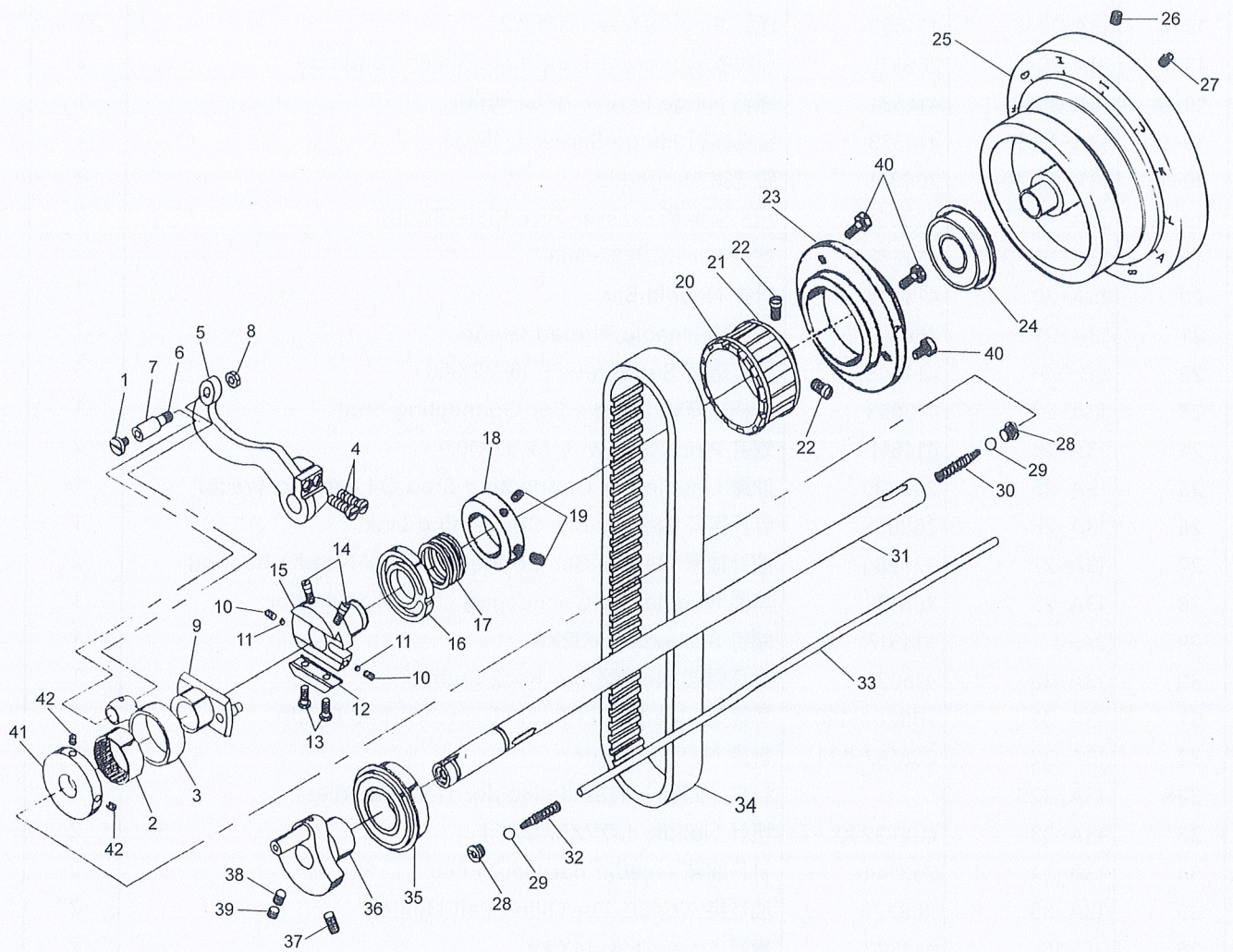
302U206



序号 Ref.-No	图号 Symbol	件号 Part.-No	零件名称 Description	数量 Amt.Req.	
				206	406
1	13A-1	415012	前盖Face Plate	1	1
2	13A-2H		轴套 Bushing	1	1
3	13A-3	415016	弹簧板 Face Plate Lock Spring Plate	1	1
4	13A-4	268032	锁紧弹簧 Face Plate Lock Spring	1	1
5	13A-5	414534	半沉头螺钉 Screw M5X7.2	2	2
6	13A-6	268312	过线板 Needle Thread Guide	1	1
7	13A-7	268513	过线板 Needle Thread Guide	1	1
8	3C-2	414514	螺钉 Screw 11/64-40X10	1	1
9	13A-9	268330	门销 Face Plate Hinge Stud	2	2
10	13A-10	548005	定位销 Arm Head Position Pin	1	1
11	A-48	414504	螺钉 Screw M6X14	3	3
12	13A-12	415057	压紧杆导架 Presser Bar Guide Bracket	1	1
13	13A-13	268172	压紧杆 Presser Bar	1	1
14	13A-14	268173	压紧杆轴套 Presser Bar Bushing	1	1
15	13A-15	415055	压紧杆止动挡圈 Presser Bar Stop Collar	1	1
16	13A-16	414535	调节螺钉 Adjusting Screw M3X7	1	1
17	13A-17	414531	螺钉 Screw M6-0.75X9	1	1
18	2C-6	414529	紧定螺钉 Set Screw 11/64-40X4.5	1	1

序号 Ref.-No	图号 Symbol	件号 Part.-No	零件名称 Description	数量 Amt.Req.	
				206	406
19	13A-19	269577-124	压脚组件 Presser Foot complete	1	1
19-1	13A-19-1	269575-124	左压脚板 Presser Foot Plate (left)	1	-
19-1S	13A-19-1S		左压脚板 (四针) Presser Foot Plate (left) (four Needles)	-	1
19-2	13A-19-2	269576-124	右压脚板 Presser Foot Plate (right)	1	-
19-2S	13A-19-2S		右压脚板 (四针) Presser Foot Plate (right) (four Needles)	-	1
19-3	13A-19-3	269512	压脚连接杆 Presser Foot Connection Lever	1	1
19-4	13A-19-4	269516	压脚柄导板 Presser Foot Shank Guide Plate	1	1
19-5	13A-19-5	415274	压脚支架 Presser Foot Bracket	1	1
19-6	13A-19-6	414550	螺钉 Pinch Screw M5X7.2	1	1
19-7	13A-19-7	269515	压脚板柄 Presser Foot Plate Shank complete	2	2
19-8	13A-19-8	414551	螺钉 Hinge Screw 11/64-40X4	1	1
19-9	13A-19-9	414573	铰链螺钉 Hinge Screw 3/16-32	1	1
19-10	13A-19-10	206335	铰链销 Hinge Pin	2	2
19-11	13A-19-11	226080	压脚板弹簧 Presser Foot Plate Spring	2	2
19-12	13A-19-12	414538	螺钉 Screw 3/32-56X7	2	2
20	13A-20	415043	针杆 Needle Bar	1	1
21	13A-21	268512	导线钩 Needle Thread Guide	1	1
22	8D-29	414545	紧定螺钉 Set Screw 3/16-32X4.8	1	1
23	13A-23	415053	针杆连接轴 Needle Bar Connecting Stud	1	1
24	13A-24	414511	螺钉 Pinch Screw 3/16-32X10.5	2	2
25	13A-25	202330	油绳 Needle Bar Connecting Stud Oil Packing (wick)	1	1
26	13A-26	268056	针杆连杆 Needle Bar Connecting Link	1	1
27	13A-27	270266	滚针轴承 Needle Bar Connecting Link Needle Bearing	2	2
28	13A-28	268139	垫圈 Needle Bar Connecting Link Cap Washer	1	1
29	2A-4	414517	螺钉 Screw 3/16-32X8	1	1
30	13A-30	415038	针杆摇架 Needle Bar Rock Frame	1	1
31	13A-31	268268-124	导线架 Needle Bar Rock Frame Thread Guide	1	1
32	13A-32	268157-124	针夹 Needle Holder	1	-
32S	13A-32S		针夹 (四针) Needle Holder (four Needles)	-	1
33	13A-33	CAT3260	机针 Needle (DVX57 22#)	2	4
34	13A-34	268144	针杆油毡 Needle Bar Oiling Felt	2	2
35	13A-35	268278	油毡夹 Needle Bar Oiling Felt Holder	2	2
36	2C-15	414522	螺钉 Screw 1/8-44X5.9	2	2
37	11-10a	414539	半圆沉头螺钉 Screw 9/64-40X7.3	2	2
38	C-68	545181-451	紧定螺钉 Needle Set Screw 9/64-40X3.5	2	4
39	13A-39	415012	面板 Face Plate	1	1
40	13A-40	228661	面板垫 Face Plate Cushion	2	2
41	3C-14	545174-452	紧定螺钉 Set Screw 11/64-40X4.5	2	2
42	13A-42	268033	锁紧钉 Face Plate Lock Stud	1	1

上轴部件
TOP SHAFT ASSEMBLY

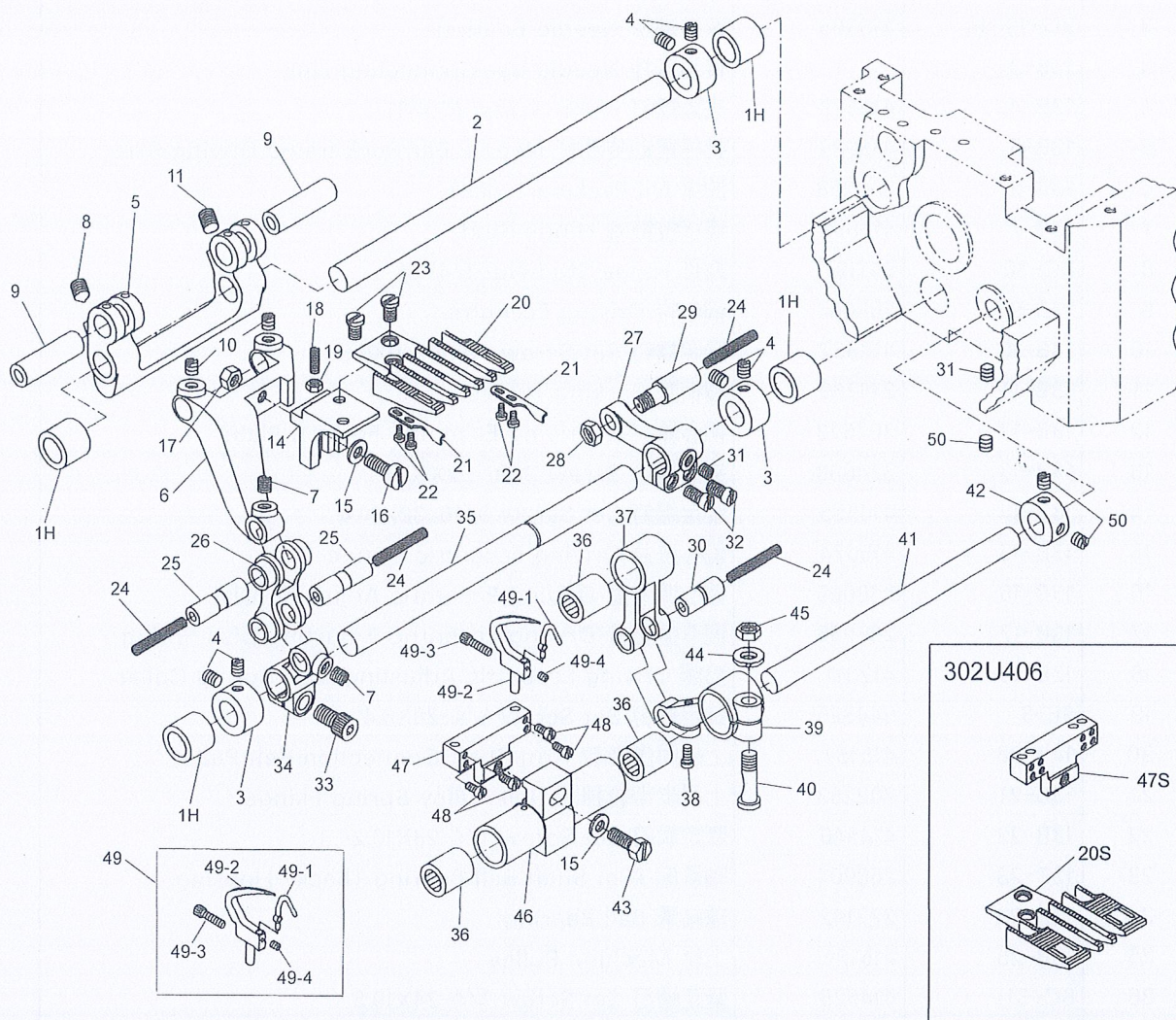


序号 Ref.-No	图号 Symbol	件号 Part.-No	零件名称 Description	数量 Amt.Req.	
				206	406
1	13B-1	545297	有头螺钉 Cap Screw 3/16-32X6.6	1	1
2	9D-18-3a	415368	滚针轴承 Needle Bearing	1	1
3	13B-3		传动连杆 Needle Bar Connecting Link	1	1
4	13B-4	414509	夹紧螺钉 Pinch Screw M5X11	2	2
5	13B-5	415089	针杆摆动传动杆 Needle Bar Rock frame Driving Arm	1	1
6	13B-6	268258	油绳 Oil Packing (wick)	1	1
7	13B-7	415091	连接铰链轴 Hinge Stud	1	1
8	8C-30	541197	螺母 Hinge Stud Nut 1/4-24	1	1
9	13B-9	268064	偏心轮 Driving Eccentric	1	1
10	13B-10	414557	紧定螺钉 Set Screw 11/64-40X6.5	2	2
11	13B-11	241763	黄铜垫 Packing (brass)	2	2
12	13B-12	267623	偏心轮夹板 Driving Eccentric Friction Plate	1	1
13	13B-13	374098	夹紧螺钉 Screw 3/16-32X10.5	2	2
14	13B-14	414555	紧定螺钉 Set Screw 3/16-32X14.4	2	2
15	13B-15	415074	偏心法兰 Driving Eccentric Flange	1	1
16	13B-16	268065	偏心调节盘 Driving Eccentric Adjusting Disc	1	1
17	13B-17	268066	调节盘弹簧 Driving Eccentric Adjusting Disc Spring	1	1
18	13B-18	412011	挡圈 Driving Eccentric Adjusting Disc Spring Collar	1	1
19	8E-3	544325	紧定螺钉 Set Screw 1/4-28X6.4	2	2
20	14B-28	415157	上轴同步带轮 Arm Shaft Connection Belt Pulley	1	1
21	13B-21	202253	上同步带轮挡圈 Belt Pulley Spring Flange	2	2
22	13B-22	414546	紧定螺钉 Set Screw 1/4-28X10.2	2	2
23	13B-23	268004	轴承座 Arm Shaft Ball Bearing (back) Housing	1	1
24	13B-24	272142	球轴承 Ball Bearing	1	1
25	13B-25	415154	上轮 Machine Pulley	1	1
26	8C-31	414525	紧定螺钉 Set Screw 1/4-24X19.5	1	1
27	13B-27	414526	上轮定位螺钉 Pulley Position Screw 1/4-24X19.2	1	1
28	13B-28	414578	油量调节螺钉 Oil Stop Ball Screw M8-0.75	2	2
29	B-33	268214	油量调节球 Oil Stop Ball	2	2
30	13B-30	268044	油量调节弹簧 (后) Arm Shaft Oil Stop Ball (rear)	1	1
31	13B-31	415126	上轴 Arm Shaft	1	1
32	13B-32	268009	油量调节弹簧 (前) Arm Shaft Oil Stop Ball (front)	1	1
33	13B-33	268264	油量控制杆 Arm Shaft Oil Control Rod	1	1
34	13B-34	268270 AF27	梯形齿同步带 Arm Shaft Connection Belt	1	1
35	13B-35	32848	上轴球轴承 (前) Arm Shaft Ball Bearing (front)	1	1
36	13B-36	415133	挑线凸轮 Needle Bar Crank	1	1
37	13B-37	500272-833	紧定螺钉 Set Screw 1/4-28X12	1	1
38	13B-38	549024	定位螺钉 Position Screw 1/4-28X7.4	1	1
39	13B-39	544358	紧定螺钉 Check Screw 1/4-28X5.7	1	1
40	13B-40	544336	螺钉 Screw 3/16-32X13.2	3	3
41	13B-41	415308	偏心轮隔圈 Lifting Eccentric Spacing Collar	1	1
42	2C-6	414529	紧定螺钉 Set Screw 11/64-40X4.5	2	2

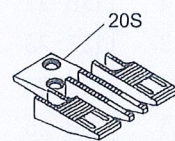
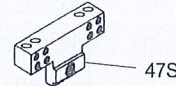
送料部件

FEEDING ASSEMBLY

302U206



302U406



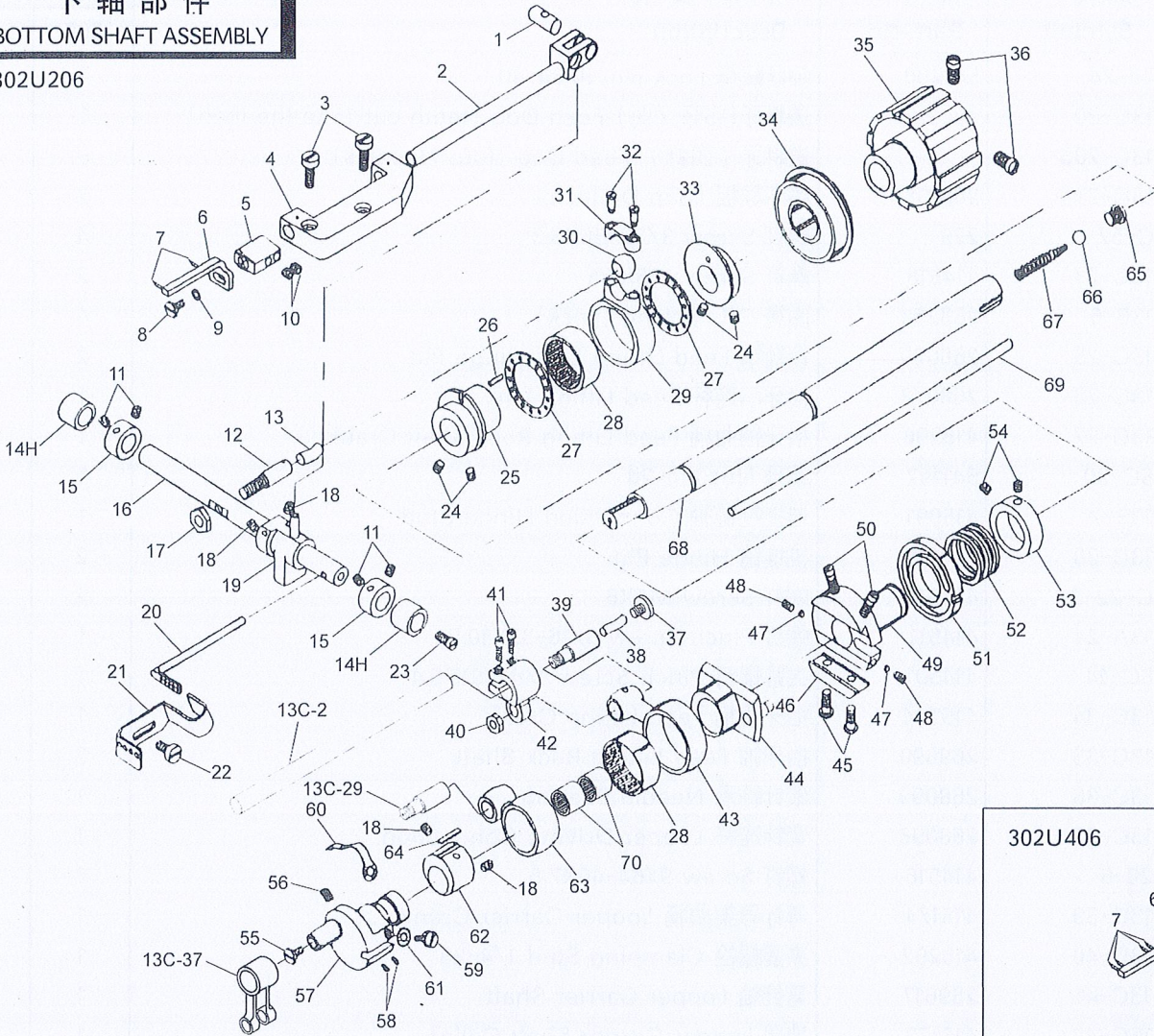
序号 Ref.-No	图号 Symbol	件号 Part.-No	零件名称 Description	数量 Amt.Req.	
				206	406
1	13C-1H		轴套 Bushing	4	4
2	13C-2		送料摆轴 Feed Driving Rock Shaft	1	1
3	13C-3	415065	挡圈 Collar	3	3
4	8D-29	504020	紧定螺钉 Set Screw 3/16-32X4.8	6	6
5	13C-5		送料摆动架 Feed Driving Rock Frame	1	1
6	13C-6		送料架 Feed Bar	1	1
7	8B-20	545213	紧定螺钉 Set Screw 7/32-32X6.5	2	2
8	8E-17	549024	定位螺钉 Position Screw 1/4-28X7.8	1	1
9	13C-9		送料杆铰链销 Feed Bar Hinge Pin	2	2
10	B-47	544204-001	紧定螺钉 Set Screw M4X6	2	2
11	8E-3	500264-833	紧定螺钉 Set Screw 1/4-28X6.4	1	1
14	13C-14	415208	送料牙架 Feed Dog Shank	1	1
15	8B-24	543804-004	垫圈 Washer	2	2
16	7B-23	414520	螺钉 Screw M5X14	1	1
17	7A-26	545489	锁紧螺母 Lock Nut M5	1	1
18	13C-18	414559	调节螺钉 Adjusting Screw 9/64-40X11.1	1	1

序号 Ref.-No	图号 Symbol	件号 Part.-No	零件名称 Description	数量 Amt.Req.	
				206	406
19	3E-24	541200	锁紧螺母 Lock Nut 9/64-40	1	1
20	13C-20		送料牙(15牙/吋) Feed Dog (teeth cut 15 to the inch)	1	-
20S	13C-20S		送料牙(四针) Feed Dog (four Needles)	-	1
21	13C-21	268318	线环导板 Loop Deflector	2	4
22	C-57	229	螺钉 Screw 3/32-56X3.3	4	8
23	13C-23	414518	螺钉 Screw M5X7.5	2	2
24	13B-6	268258	油绳 Oil Packing (wick)	4	4
25	13C-25	268079	铰链销 Feed Lifting Link Hinge Pin	2	2
26	13C-26	268078	抬牙小连杆 Feed Lifting Link	1	1
27	13C-27	415206	抬牙轴曲柄 Feed Lifting Rock Shaft Crank	1	1
28	8C-30	541197	螺母 Nut 1/4-24	1	1
29	13B-7	415091	连接铰链轴 Connection Hinge Stud	1	1
30	13C-30	268208	铰链销 Hinge Pin	2	2
31	C-22-3	414549	螺钉 Screw M5X6	2	2
32	13A-24	414511	螺钉 Pinch Screw 3/16-32X10.5	1	1
33	8G-14	414501	夹紧螺钉 Pinch Screw 1/4-28X15.4	1	1
34	13C-34	415204	抬牙曲柄 Feed Lifting Crank	1	1
35	13C-35	269699	抬牙轴 Feed Lifting Rock Shaft	3	3
36	13C-36	268099	滚针轴承 Needle Bearing	1	1
37	13C-37	268098	弯针连杆 Looper Driving Connection	1	1
38	2E-6	414516	螺钉 Screw 9/64-40X7.5	1	1
39	13C-39	415174	弯针导架曲柄 Looper Carrier Crank	1	1
40	13C-40	415292	夹紧螺栓 Clamping Stud 1/4-28	1	1
41	13C-41	269617	弯针轴 Looper Carrier Shaft	1	1
42	13C-42	415172	挡圈 Looper Carrier Shaft Collar	1	1
43	13C-43	414553	螺母 Screw M5X14	1	1
44	13C-44	548459	弹簧垫圈 Spring Washer	1	1
45	13C-45	541198	螺母 Nut 1/4-28	1	1
46	13C-46	268367	弯针导架 Looper Carrier	1	1
47	13C-47	415467-124	弯针夹 Looper Holder	1	-
47S	13C-47S		弯针夹(四针) Looper Holder (four Needle)	-	1
48	13C-48	414558	弯针紧定螺钉 Looper Set Screw M3X7	4	8
49	13C-49	268382	弯针与护针板组件 Looper and Needle Guard comple	2	4
49-1	13C-49-1	268310	护针板 Needle Guard	2	4
49-2	13C-49-2	268380	弯针 Looper	2	4
49-3	13C-49-3	141478	紧定螺钉 Set Screw 29/256-40X12.2	2	4
49-4	13C-49-4	141494	紧定螺钉 Set Screw 29/256-40X3.4	2	4
50	C-22-3		紧定螺钉 Set Screw M5X6	3	3

下轴部件

BOTTOM SHAFT ASSEMBLY

302U206



302U406



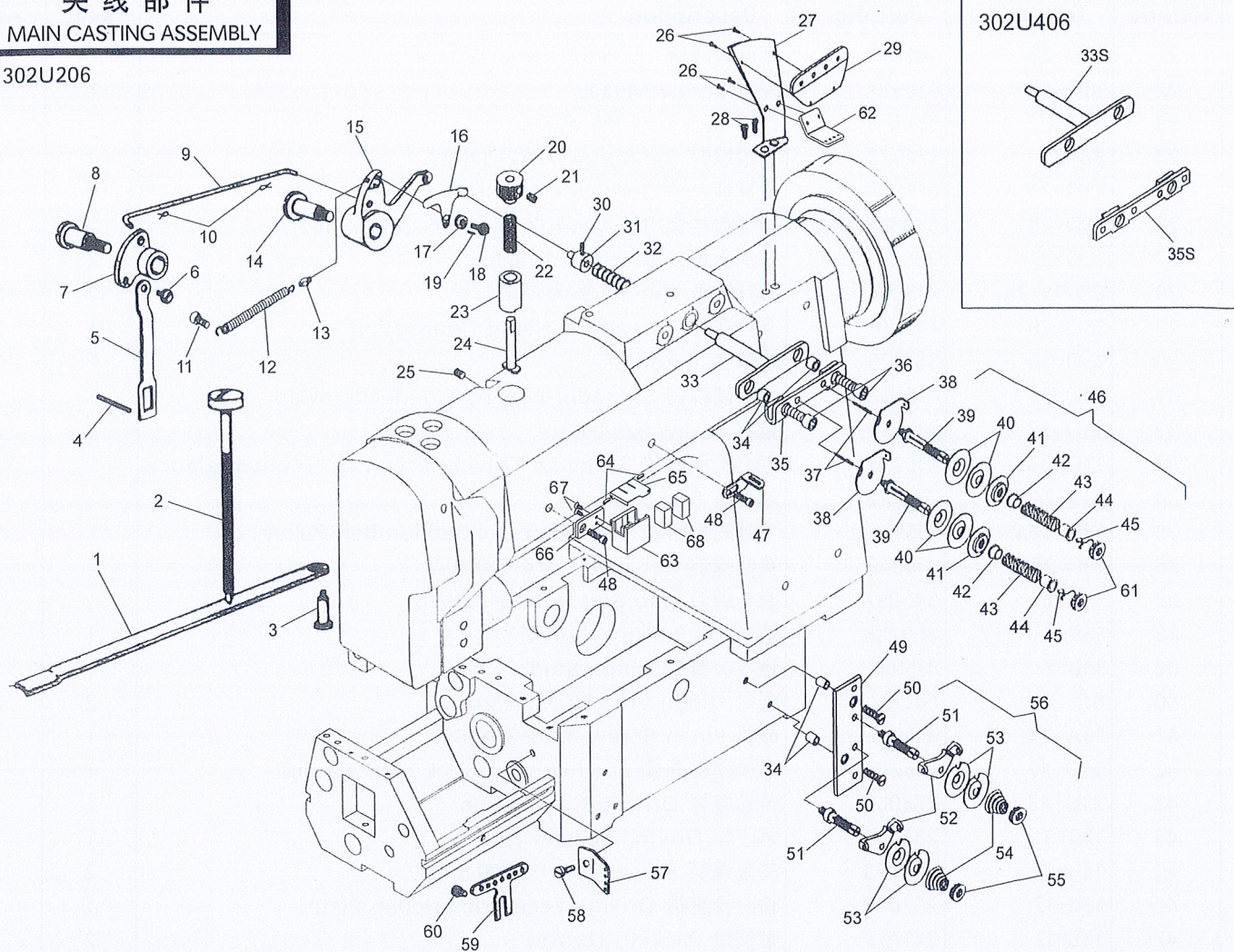
序号 Ref.-No	图号 Symbol	件号 Part.-No	零件名称 Description	数量 Amt.Req.	
				206	406
1	13D-1	268190	叉针销 Spreader Driving Pin	1	1
2	13D-2	268499	叉针杆组件 Spreader Bar complete	1	1
3	7B-23	414524	螺钉 Screw M5X14	2	2
4	13D-4	268184	叉针杆支架 Spreader Bar Bracket	1	1
5	13D-5	415196	叉针夹 Spreader Holder	1	1
6	13D-6	268378-124	叉针 Spreader	1	-
6S	13D-6S		叉针 (四针) Spreader (four Needles)	-	1
7	13D-7	268162	叉针尖 Spreader Point	2	4
8	13D-8	414552	叉针螺钉 Spreader Screw 11/64-40X7.5	1	1
9	C-51	547670	垫圈 Washer	1	1
10	2C-6	414529	紧定螺钉 Set Screw 11/64-40X4.5	2	2
11	8D-29	504020	紧定螺钉 Set Screw 3/16-32X4.8	4	4
12	13D-12	415293	叉针轴螺栓 Spreader Driving Rock Shaft Stud 9/32-28	1	1
13	13D-13	32825	油绳 Oil Packing (wick)	1	1
14H	13C-1H		轴套 Bushing	2	2
15	13C-3	415065	挡圈 Collar	2	2
16	13D-16	415389	叉针轴 Spreader Driving Rock Shaft	1	1
17	2D-15	545424	螺母 Nut 9/32-28	1	1
18	13D-18	544204-001	紧定螺钉 Set Screw M5X5	4	4
19	13D-19	415194	叉针曲柄 Spreader Driving Crank	1	1
20	13D-20	268052	弯针挑线杆 Loper Thread take-up Rod	1	1

序号 Ref.-No	图号 Symbol	件号 Part.-No	零件名称 Description	数量 Amt.Req.	
				206	406
21	13D-21	269619	弯针导线板 Looper Thread Guide	1	1
22	13F-29	414510	螺钉 Screw M5X10	1	1
23	2F-6	504019	螺钉 Screw 11/64-40X10	1	1
24	8B-20	414528	紧定螺钉 Set Screw 7/32-32X6.5	4	4
25	13D-25	415187	叉针偏心轮 Spreader Driving Eccentric	1	1
26	13D-26	543808-002	弹性圆柱销 Spreader Driving Eccentric Pin	1	1
27	13D-27	268220	轴承止推垫圈 Thrust Washer	2	2
28	9D-18-3a	415368	滚针轴承 Needle Bearing	2	2
29	13D-29	415184	叉针连杆 Spreader Driving Connection	1	1
30	13D-30	351876	球体 Ball Roller	1	1
31	13D-31	415183	叉针连杆盖 Spreader Driving Connection Cap	1	1
32	13D-32	414569	螺钉 Screw 9/64-40	2	2
33	13D-33	415190	偏心轮平衡块 Spreader Driving Eccentric Counterbalance	1	1
34	13B-24	272142	球轴承 Ball bearing	1	1
35	14D-38a	415160	下轴同步带轮 Bed Shaft Connection Belt Pulley	1	1
36	13B-22	414546	夹紧螺钉 Set Screw 1/4-28X10.2	2	2
37	13B-1	545297	有头螺钉 Cap Screw 3/16-32X6.6	1	1
38	13B-6	268258	油绳 Oil Packing (wick)	1	1
39	13B-7	415091	连接铰链轴 Hinge Stud	1	1
40	8C-30	541197	螺母 Hinge Stud Nut 1/4-24	2	2
41	13A-24	414511	螺钉 Pinch Screw 3/16-32X10.5	1	1
42	13D-42	415213	送料摆轴曲柄 Feed Driving Rock Shaft Crank	1	1
43	13D-43	268060	传动连杆 Driving Connection	1	1
44	13B-9	268064	偏心轮 Driving Eccentric	1	1
45	13B-13	374098	夹紧螺钉 Screw 3/16-32X10.5	2	2
46	13B-12	267623	偏心轮夹板 Driving Eccentric Friction Plate	1	1
47	13B-11	241763	黄铜垫 Packing (brass)	2	2
48	13B-10	414557	紧定螺钉 Set Screw 11/64-40X6.5	2	2
49	13B-15	415074	偏心法兰 Driving Eccentric Flange	1	1
50	13B-14	414555	紧定螺钉 Set Screw 3/16-32X14.4	2	2
51	13B-16	268065	偏心调节盘 Driving Eccentric Adjusting Disc	1	1
52	13B-17	268066	调节盘弹簧 Driving Eccentric Adjusting Disc Spring	1	1
53	13B-18	412011	挡圈 Driving Eccentric Adjusting Disc Spring Colla	1	1
54	8E-3	544325	紧定螺钉 Set Screw 1/4-28X6.4	2	2
55	13D-55	414536	油量调节螺钉 Looper Driving Crank Oil Stop Screw M5	1	1
56	8E-3	500264-833	紧定螺钉 Set Screw 1/4-28X6.4	1	1
57	13D-57	415176	弯针曲柄 Looper Driving Crank complete	1	1
58	13D-58	374099	曲柄定位螺钉 Crank Position Screw 11/64-40X11	2	2
59	C-20	414563	螺钉 Screw 9/64-40X8	1	1
60	13D-60	268102	弯针曲柄油孔盖 Looper Driving Crank Oil Hole Cover	1	1
61	C-51	204925	垫圈 Washer	1	1
62	13D-62	415210	拾牙凸轮 Feed Lifting Eccentric	1	1
63	13D-63	268074	拾牙连杆 Feed Lifting Connection	1	1
64	13D-64	268077	拾牙凸轮润滑棍 Feed Lifting Eccentric Lubricating Pad	1	1
65	13B-28	414578	油量调节螺钉 Oil Stop Ball Screw M8-0.75	1	1
66	B-33	268214	油量调节球 Oil Stop Ball	1	1
67	13B-30	268044	油量调节弹簧 (后) Arm Shaft Oil Stop Ball (rear)	1	1
68	13D-68	415145	下轴 Bed Shaft	1	1
69	13D-69	268265	下轴油量控制杆 Bed Shaft Oil Control Rod	1	1
70	13D-70	268029	滚针轴承 Needle Bearing	2	2

夹线部件

MAIN CASTING ASSEMBLY

302U206



序号 Ref.-No	图号 Symbol	件号 Part.-No	零件名称 Description	数量 Amt.Req.	
				206	406
1	13E-1	268176	压紧杆弹簧 Presser Bar Spring	1	1
2	13E-2	414574	弹簧调节螺钉 Spring Adjusting Screw 1/4-24	1	1
3	13E-3	414562	弹簧支承钉 Spring Support Screw M5	1	1
4	13E-4	415360	限位销 Foot Lifter Linking Link Stop Pin	1	1
5	13E-5	269616	压脚提升连杆 Foot Lifter Linking Link	1	1
6	13E-6	414568	铰链螺钉 Hinge Screw 3/16-32	1	1
7	13E-7	415102	压脚提升曲柄 Foot Lifter Bell Crank	1	1
8	13E-8	414572	铰链螺钉 Hinge Screw M8	1	1
9	13E-9	268086	压脚提升杠杆 Foot Lifter Lever Rod	1	1
10	13E-10	248423	开口销 Foot Lifter Lever Rod Cotter Pin	2	2
11	13B-14	414555	紧定螺钉 Set Screw 3/16-32X14.4	1	1
12	13E-12	204348	压脚提升连杆弹簧 Foot Lifter Lever Spring	1	1
13	13E-13	414570	弹簧挂销 Foot Lifter Lever Spring Screw Eye	1	1
14	13E-14	201363	铰链螺钉 Hinge Screw 5/16-24	1	1
15	13E-15	415104	压脚提升杆 Foot Lifter Lever	1	1
16	13E-16	268171	机针可调松线板 Needle Thread Tension Releasing Plate	1	1
17	8B-24	543804-004	垫圈 Washer	1	1
18	7A-57	414531	松线板螺钉 Tension Releasing Plate Screw M5X10	1	1
19	13E-19	543850-001	松线板销 Tension Releasing Plate Pin	1	1
20	13E-20	415099	针杆摇架调节螺母 Needle Bar Rock Frame Regulating Stud Cap	1	1

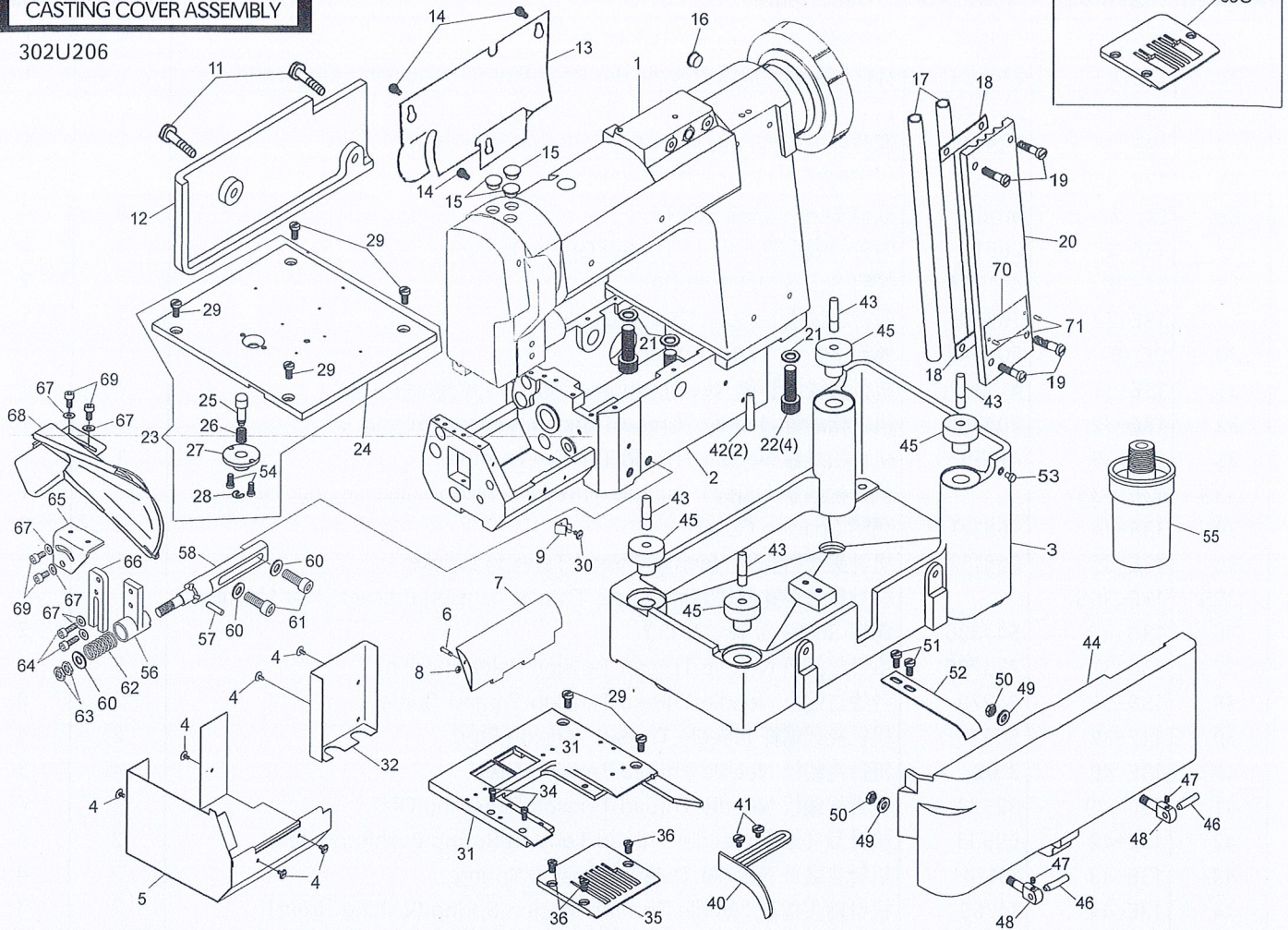
序号 Ref.-No	图号 Symbol	件号 Part.-No	零件名称 Description	数量 Amt.Req.	
				206	406
21	8B-20	414528	紧定螺钉 Set Screw 7/32-32X6.5	1	1
22	13E-22	214529	针杆摇架调节弹簧 Needle Bar Rock Frame Regulating Stud Sprin	1	1
23	13E-23	268149	调节螺套 Needle Bar Rock Frame Regulating Stud Sleeve	1	1
24	13E-24	268148	调节杆 Needle Bar Rock Frame Regulating Stud	1	1
25	13E-25	414527	紧定螺钉 Set Screw 3/16-32X14.2	1	1
26	2C-22	50169	螺钉 Screw 3/32-56X3.3	4	4
27	13E-27	268111	弯针导线板架 Looper Thread Guide Bracket	1	1
28	2F-26	414537	螺钉 Screw 11/64-40X10	2	2
29	13E-29	268505	弯针导线板 Looper Thread Guide	1	1
30	2C-6	504048	螺钉 Screw 11/64-40X4.5	1	1
31	13E-31	415252	机针夹线调节套 Needle Thread Tension Releaser Cap	1	1
32	13E-32	204365	机针松线簧 Needle Thread Tension Releaser Spring	1	1
33	13E-33	415357	机针松线器 Needle Thread Tension Releaser	1	-
33S	13E-33S		机针松线器 (四针) Needle Thread Tension Releaser (four Needles)	-	1
34	13E-34	268121	隔圈 Spacing Collar	4	4
35	13E-35	268167	机针夹线器支架 Needle Thread Tension Bracket	1	-
35S	13E-35S		机针夹线器支架(四针) Needle Thread Tension Bracket (four Needles)	-	1
36	13B-40	544336	螺钉 Screw 3/16-32X13.2	2	2
37	13E-37	226206	机针松线销 Needle Thread Tension Releasing Pin	2	4
38	13E-38	54279	针线过线板 Needle Thread Tension Thread Guide	2	4
39	13E-39	50326	机针夹线螺杆 Needle Thread Tension Stud	2	4
40	13E-40	2102	机针夹线板 Needle Thread Tension Disc	4	8
41	10D-29	32572	机针松线板 Needle Thread Tension Releasing Disc	2	4
42	13E-42	59538	机针后夹线套 Needle Thread Tension Spring Bushing (back)	2	4
43	13E-43	131741	机针夹线簧 Needle Thread Tension Spring	2	4
44	13E-44	143657	机针前夹线套 Needle Thread Tension Spring Bushing (front)	2	4
45	13E-45	143658	蝶形螺母锁紧簧 Thumb Nut Locking Spring	2	4
46	13E-46	267971	机针夹线器组件 Needle Thread Tension complete	2	4
47	13A-7	268513	过线板 Needle Thread Guide	1	1
48	3C-2	414514	螺钉 Screw 11/64-40X10	2	2
49	13E-49	415255	弯针夹线器支承板 Looper Thread Tension Bracket	1	1
50	13E-50	414532	螺钉 Screw M5X15.3	2	2
51	13E-51	415291	弯针夹线螺杆 Looper Thread Tension Stud	2	4
52	13E-52	268333	弯针线过线板 Looper Thread Tension Thread Guide	2	4
53	13E-53	412203	弯针夹线板 Looper Thread Tension Disc	4	8
54	8F-40	10148	弯针夹线簧 Looper Thread Tension Spring	2	4
55	13E-55	541452	蝶形螺母 Thumb Nut 7/32-32	2	4
56	13E-56	415294	弯针夹线器组件 Looper Thread Tension complete	2	4
57	13E-57	269620	弯针线导线板 Looper Thread Guide	1	1
58	13F-29	414510	螺钉 Screw M5X10	1	1
59	13E-59	268373	弯针线导线板 Looper Thread Guide	1	1
60	13E-60	414771	螺钉 Screw M5X6.5	1	1
61	13E-61	51570	蝶形螺母 Thumb Nut 1/4-40	2	4
62	13E-62		导线板 Thread Guide	1	1
63	13E-63		硅油盒 Thread Lubricator	1	1
64	13E-64		开口销 Spring Pin	2	2
65	13E-65		盖板 Plate	1	1
66	13E-66		支板 Support Plate	1	1
67	13E-67		十字槽沉头自攻螺钉 Screw M3X8	2	2
68	13E-68		油毡 Felt	2	2

机壳及机座部件
CASTING COVER ASSEMBLY

302U206

302U406

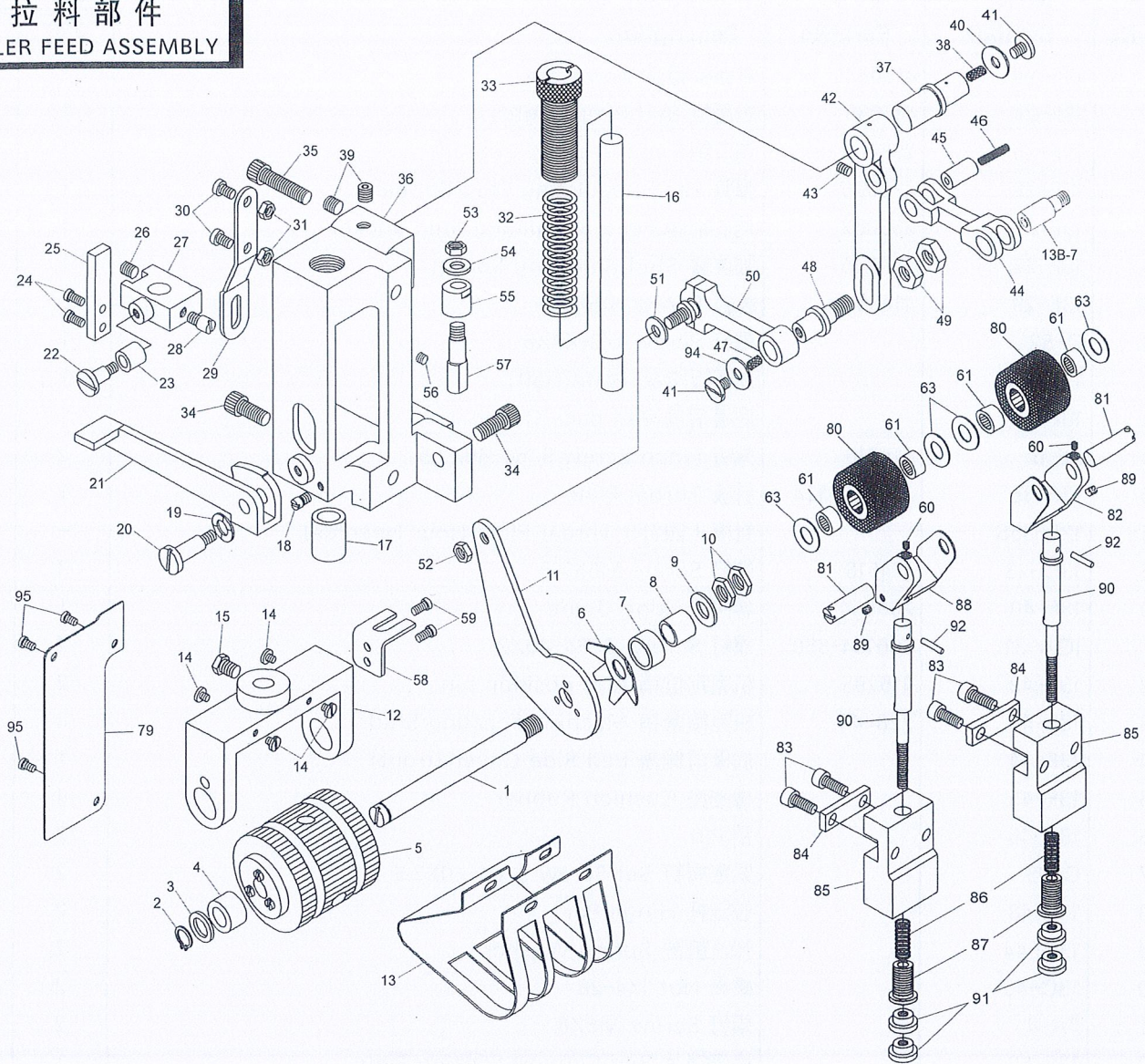
35S



序号 Ref.-No	图号 Symbol	件号 Part.-No	零件名称 Description	数量 Amt.Req.	
				206	406
1	13F-1		机壳 Arm	1	1
2	13F-2		底板 Bed	1	1
3	13F-3		底座 Bed Support	1	1
4	13F-4		螺钉 Screw 1/8-44X6.5	6	6
5	13F-5a		底板盖 Bed Cover	1	1
6	13F-6		锁紧钉 Locking Screw 9/64-40	1	1
7	13F-7		底板前盖 Bed Cover (front)	1	1
8	3E-24		螺母 Nut 9/64-40	1	1
9	10B-39		盖卡簧 Locking Spring	1	1
11	13F-11	414505	螺钉 Screw M8X14	2	2
12	13F-12	269683	底板后侧盖 Bed Side Cover (back)	1	1
13	13F-13	268010	机壳侧盖 Arm Side Cover	1	1
14	10B-54		螺钉 Screw 11/64-40X7	3	3
15	13F-15	502986	机头胶塞 Arm Head Plug	3	3
16	13F-16	544875	机壳胶塞 Arm Plug	1	1
17	13F-17	268123	弯针线导管 Looper Thread Tube	2	2
18	13F-18	268500	导管垫片 Looper Thread Tube Gasket	2	2
19	13F-19	414639	螺钉 Screw 11/64-40X18	4	4
20	13F-20	415342	导管盖板 Looper Thread Tube Cover	1	1
21	9A-65	543804-007	垫圈 Washer	4	4
22	13F-22	415361	螺钉 (内六角头) Arm Screw M10X30	4	4

序号 Ref.-No	图号 Symbol	件号 Part.-No	零件名称 Description	数量 Amt.Req.	
				206	406
23	13F-23	415034	右面板组件 Bed Plate	1	1
24	13F-24	415035	右面板 Bed Plate (right)	1	1
25	13F-25	268081	调节销 Feed Regulating Stud	1	1
26	13F-26	270026	弹簧 Feed Regulating Stud Spring	1	1
27	13F-27	268082	调节销座 Feed Regulating Stud Socket	1	1
28	13F-28	240245	限位簧 Stud Retaining Spring	1	1
29	13F-29	414508	螺钉 Screw M5X10	6	6
30	C-52		螺钉 Screw 1/8-44X6	1	1
31	13F-31A		左面板 Bed Plate (left)	1	1
32	13F-32		底板后盖 Bed back Cover	1	1
34	2E-6	414516	螺钉 Pinch Screw 9/64-40X7.5	2	2
35	13F-35	267860-124	针板 Throat Plate	1	-
35S	13F-35S		针板 (四针) Throat Plate (four Needles)	-	1
36	13C-23	414518	螺钉 Screw M5X7.5	3	3
40	13F-40	269564	导向板 Edge Guide	1	1
41	JGA-31	500104-850	螺钉 Screw 9/64-40X7	2	2
42	13F-42	415295	机壳定位销 Arm position pin	2	2
43	13F-43	228448	机壳锁紧销 Machine Locating Stud	4	4
44	13F-44		底板前侧盖 Bed Side Cover (front)	1	1
45	13F-45		橡胶垫 Cushion Rubber	4	4
46	13F-46		销 Pin	2	2
47	C-68		紧定螺钉 Set Screw 9/64-40X3.5	2	2
48	13F-48		铰链杆 Hinge Bar	2	2
49	13C-44		弹簧垫圈 Spring Washer	2	2
50	13C-45		螺母 Nut 1/4-28	2	2
51	7A-4		螺钉 Screw M5X8	2	2
52	13F-52		底座锁片 Bed Support Locking Plate	1	1
53	13F-53		橡胶塞 Plug Rubber	1	1
54	2F-6		螺钉 Screw 11/64-40X10	2	2
55	13F-55		贮油器 Oil Drain Jar	1	1
56	13F-56		拉筒支承板 Hemmer Support Plate	1	1
57	13F-57		长销 Long Pin 5X20	1	1
58	13F-58		支承轴 Supporting Shaft	1	1
60	10J-4		垫圈 Washer 8	3	3
61	10J-14		螺钉 Screw M8X25	2	2
62	13F-62		弹簧 Spring	2	2
63	15-69		螺母 Nut M8	2	2
64	C-18		螺钉 Screw M5X16	2	2
65	13F-65		支架 Bracket	1	1
66	13F-66		过度板	1	1
67	10A-6		垫圈 Washer 5	6	6
68	13F-68		拉筒 Hemmer	1	1
69	9G-19a		螺钉 Screw M5X10	4	4
70	13F-70		302U型号牌 Machine Label	1	1
71	13F-71		铆钉 Rivet	2	2

拉料部件
PULLER FEED ASSEMBLY



序号 Ref.-No	图号 Symbol	件号 Part.-No	零件名称 Description	数量 Amt.Req.
1	13G-1		上送料轮轴 Top Feed Roller Shaft	1
2	13G-2		轴用弹性挡圈 Collar 9	1
3	9G-3		垫圈 Washer 9	1
4	13G-4		轴套 Sleeve	1
5	13G-5		上送料轮组件 Top Feed Roller complete	1
6	13G-6		弹性垫圈 Spring Washer	1
7	13G-7		轴套 Sleeve	1
8	13G-8		滑套 Sleek Bushing	1
9	10J-4		垫圈 Washer 9	1
10	13G-10		特扁细牙螺母 Nut M8X1	2
11	13G-11		步进器联接板 Step Connecting Plate	1
12	13G-12		上送料轮支架 Top Feed Roller Bracket	1
13	13G-13		上送料轮卸料器 Top Feed Roller Unloader	1
14	9E-32a		螺钉 Screw 1/8-44X9	4
15	2I-19		六角头螺钉 Screw 15/64-28X8	1
16	13G-16		压紧杆 Presser Bar	1
17	13G-17		轴套 Bushing	1
18	7C-32		销轴 Stud	1
19	13G-19		波形弹性垫圈 Spring Washer	1
20	8B-16		铰链螺钉 Hinge Screw 3/16-32	1
21	13G-21		手动提升杆 Hand Lifting Rod	1

序号 Ref.-No	图号 Symbol	件号 Part.-No	零件名称 Description	数量 Amt.Req.
22	10B-56		销轴 Hinge Screw 11/64-40	1
23	13G-23		滚动套 Roll Bushing	1
24	2E-6		导向块螺钉 Screw 9/64-40X7.5	2
25	13G-25		导向块 Guide Block	1
26	8B-20		紧定螺钉 Set Screw 7/32-32X6.5	1
27	13G-27		手动提升块 Hand Lifting Block	1
28	8G-35a		螺钉 Screw 3/16-31X14.8	1
29	13G-29		压脚提升连接拉杆 Presser Lifting Connecting Link	1
30	10B-54		螺钉 Screw 11/64-40X7	2
31	3F-14		拉杆螺母 Nut 11/64-40	2
32	13G-32		压紧杆弹簧 Presser Bar Spring	1
33	13G-33		压簧调节套 Pressing Spring Sdjusting Bush M16X1.5	1
34	JGA-59		内六角螺钉 Screw M6X18	2
35	9B-48a		内六角螺钉 Screw M6X30	1
36	13G-36		支架 Bracket	1
37	13G-37		摆动杆铰链轴 Rock Lever Hinge Stud	1
38	13G-38		油毡 Oiling Felt	1
39	8E-3		紧定螺钉 Set Screw 1/4-28X6.4	2
40	13G-40		垫圈 Washer	1
41	13B-1		有头螺钉 Cap Screw 3/16-32X6.6	2
42	13G-42		摆动连杆 Rock Connection	1
43	7A-55		螺钉 Screw M4X6	1
44	13G-44		主动连杆 Driving Connection	1
45	13C-9a-1		铰链销 Hinge Pin	1
46	13C-9a-2		油毡 Oiling Felt	1
47	13G-47		油毡 Oiling Felt	1
48	13G-48		铰链轴 Hinge Stud	1
49	8D-2		螺母 Nut 1/4-32	2
50	13G-50		送料连杆组件 Feed Connecting Link	1
51	9D-16		垫圈 Washer	1
52	6 I -8		螺母 Nut 7/32-32	1
53	8C-30		螺母 Nut 1/4-24	1
54	9B-66		垫圈 Washer	1
55	13G-55		导向销套 Guide Pin Bush	1
56	3C-14		紧定螺钉 Set Screw 11/64-40X3.5	1
57	13G-57		导向销 Guide Pin	1
58	13G-58		导向卡 Guide Plate	1
59	2E-6		螺钉 Screw 9/64-40X7.5	2
60	2F-3		定位螺钉 Position Screw 1/8-44X4.5	2
61	13G-61		滚针轴承 Needle Bearing 8X12X8	4
63	9C-48		垫圈 Washer	4
79	13G-79		支架盖 Bracket Cover	1
80	13G-80		下送料轮 Bottom Feed Roller	2
81	13G-81		下送料轴 Bottom Feed Shaft	2
82	13G-82		下送料轮右支架 Bottom Feed Roller Bracket (right)	1
83	JGA-89		螺钉 Screw M5X20	4
84	13G-84		限位板 Stop Plate	2
85	13G-85		下送料轮支架座 Bottom Feed Roller Bracket Support	2
86	13G-86		弹簧 Spring	2
87	13G-87		压簧调节套 Spring Regulating Cap	2
88	13G-88		下送料轮左支架 Bottom Feed Roller Bracket (left)	1
89	A-31		螺钉 M6X8	2
90	13G-90		下送料轮支架轴 Bottom Feed Roller Bracket Shaft	2
91	13G-91		滚花螺母 Nut M5	4
92	13G-92		锥销 Pin	2
94	13G-94		垫圈 Washer	1
95	10C-27		螺钉 Screw 9/64-40X5.8	3

