

GLOBAL

LP 8971i - LH AUT

**Single needle postbed lockstitch machine
with large hook, thread trimmer, presser foot lift
and automatic back tack**

PARTS MANUAL

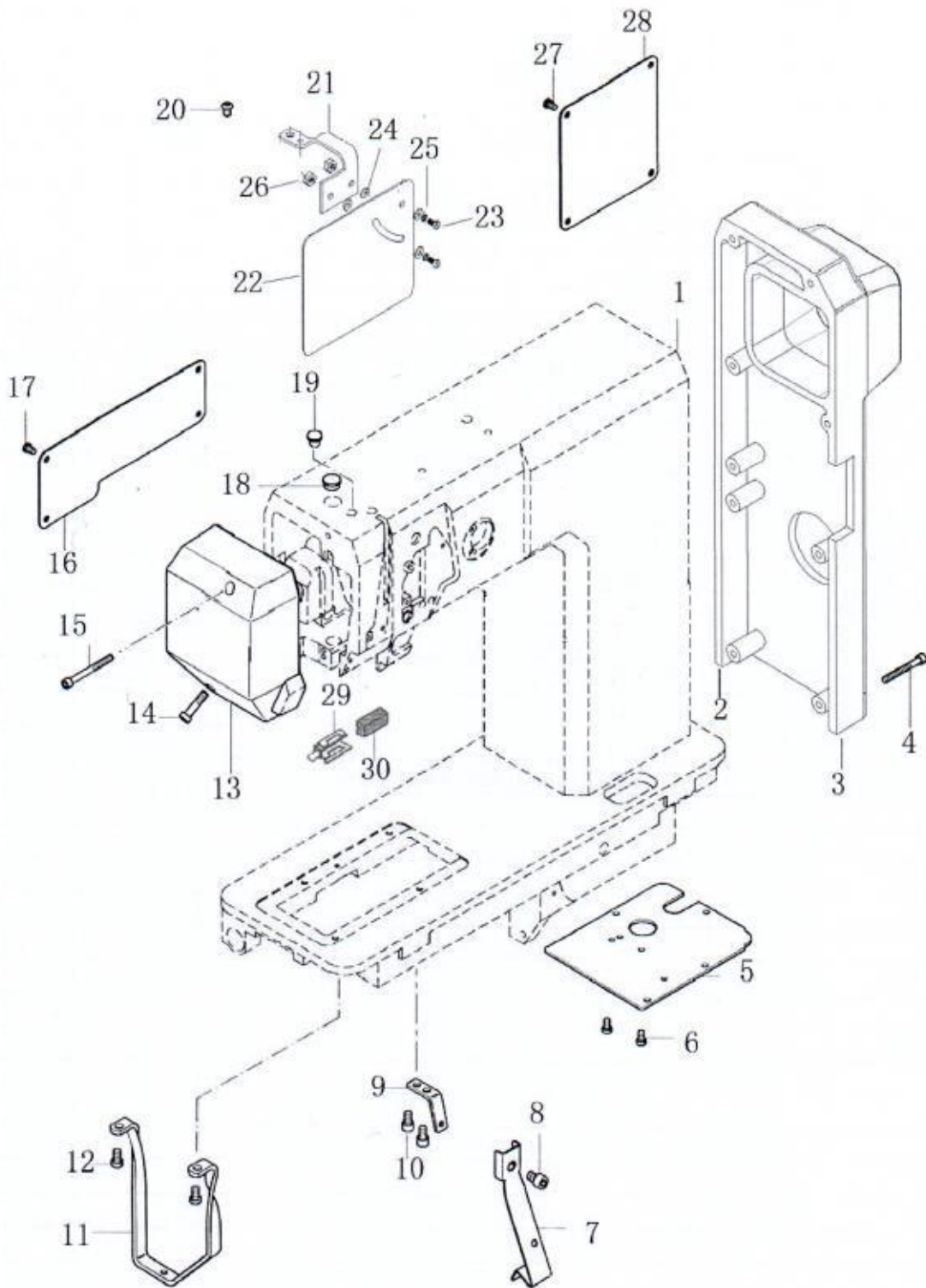
CONTENT

A. Arm bed and its accessories.....	2
B. Presser bar parts.....	4
C. Needle bar holder parts.....	6
D. Thread tension regulator parts.....	8
E. Main shaft driving parts.....	10
F. Upper side shaft feed parts.....	12
G. Presser foot lifting parts.....	14
H. Bobbin winder parts.....	16
I. Stitch length adjustment parts.....	18
J. Clutch set parts.....	20
K. Oil lubrication parts.....	22
L. Right side bracket parts	24
M. Thread trimming parts	26
N. Single needle bed plate backstitch parts	28
O. Bed plate feed parts.....	30
P. Solenoid for thread trimming parts.....	32
Q. Solenoid for presser foot lifting parts.....	34
R. Upper feed and backstitch parts.....	36
S. Lower feed and backstitch parts for single needle.....	38
T. Power cable connection.....	40
U. Parts of integrated machine.....	42
V. Accessories.....	44

A. Arm bed and its accessories

No.	Part No.	Name	1 Needle	2 Needle
1	7.02.01.068	Arm bed	1	
2	7.02.21.467	Back cover (1)	1	
3		Back cover (2)	1	
4	7.02.15.058	Back cover screw	7	
5	7.02.11.482	Lower plate	1	
6	7.02.15.044	Lower plate screw	3	
7	7.02.11.483	Safety guard cover	1	
8	7.02.15.964	Safety guard cover screw	1	
9	7.02.11.484	Fixed plate	1	
10	7.02.15.444	Fixed plate screw	2	
11	7.02.13.370	Bracket	1	
	7.02.13.378	Bracket		
12	7.02.15.055	Bracket screw	2	
13	7.02.11.499	Face plate	1	
14	7.02.15.731	Face plate screw (Lower)	1	
15	7.02.15.974	Face plate screw (Upper)	1	
16	7.02.11.48001	Back cover plate (Left)	1	
17	7.02.15.960	Back cover plate screw	4	
18	7.02.16.408	Oil cap	1	
19	7.02.16.407	Oil cap	1	
20	7.02.15.960	Thread take-up lever guard cover screw	2	
21	7.02.13.379	Thread take-up lever guard cover	1	
22	7.02.16.412	Plastic safe guard cover	1	
23	7.02.15.096	Screw	2	
24	7.02.18.016	Washer	3	
25	7.02.18.018	Elastic washer	1	
	7.02.18.017	Washer	4	
26	7.02.15.068	Nut	2	
27	7.02.15.960	Screw of back cover plate	4	
28	7.02.11.48101	Back cover plate (right)	1	
29	7.02.14.080	Thread guide (Face cover)	1	
30	7.02.16.299	Felt	1	

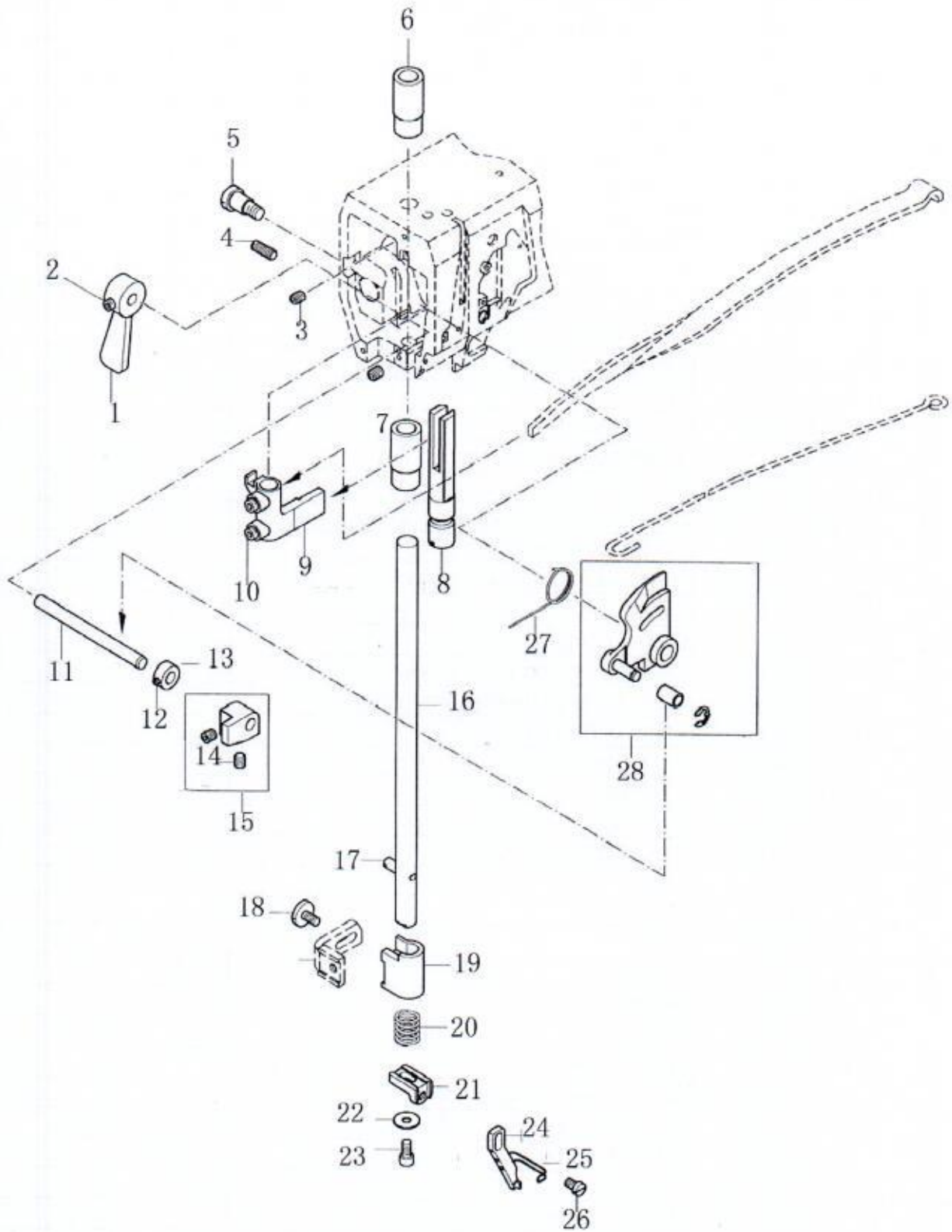
A. Arm bed and its accessories



B.Presser bar parts

No.	Part No.	Name	1 Needle	2 Needle
1	7.02.05.01101	Presser foot lifting lever	1	
2	7.02.15.056	Set screw	1	
3	7.02.15.049	Screw	2	
4	7.02.15.057	Set screw	2	
5	7.02.15.025	Screw	1	
6	7.02.08.032	Bushing (Upper)	1	
7	7.02.08.033	Bushing (Lower)	1	
8	7.02.03.009	Guide rail bar	1	
9	7.02.08.007	Presser bar position bracket	1	
10	7.02.15.050	Screw	2	
11	7.02.03.420	Presser bar lifter shaft	1	
12	7.02.15.061	Screw	2	
13	7.02.09.117	Collar	1	
14	7.02.15.056	Screw	2	
15	7.02.12.280	Lift block	1	
16	7.02.03.421	Presser bar	1	
17	7.02.10.457	Stopper pin	1	
18	7.02.15.011	Screw	1	
19	7.02.08.470	Roller presser bracket	1	
20	7.02.17.011	Spring	1	
21	7.02.05.009	Tailstock	1	
22	7.02.18.071	Washer	1	
23	7.02.15.066	Screw	1	
24	7.02.02.008	Small presser foot	1	
25	7.02.17.009	Safety spring	1	
26	7.02.15.026	Screw	1	
27	7.02.17.012	Spring	1	
28	7.02.01.006	Thread tension regulator assy	1	

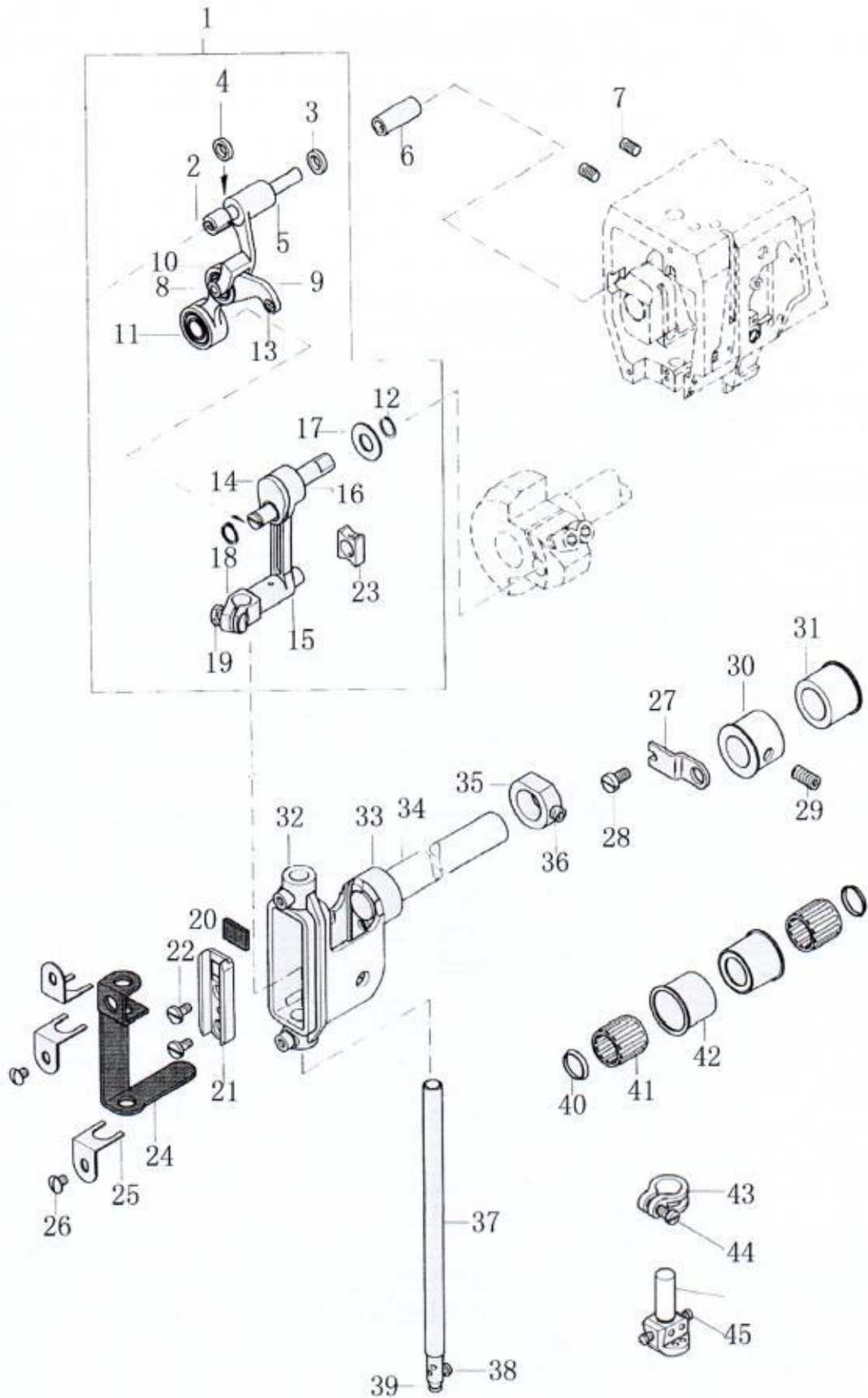
B.Presser bar parts



C. Needle bar holder parts

No.	Part No.	Name	1 Needle	2 Needle
1	7.02.01.353	Thread take-up assy.	1	1
2	7.02.10.462	Thread take-up fixed pin	1	1
3	7.02.09.003	Plastic stop ring	2	2
4	7.02.04.005	Needle bearing	2	2
5	7.02.05.003	Thread take-up holder	1	1
6	7.02.08.476	Thread take-up shaft bushing	1	1
7	7.02.15.049	Set screw	2	2
8		Screw	1	1
9	7.02.05.004	Thread take-up lever	1	1
10	7.02.04.004	Bearing	1	1
11	7.02.04.016	Bearing	1	1
12	7.02.18.030	Elastic retaining ring	2	2
13		Thread path	1	1
14	7.02.06.001	Thread take-up crank	1	1
15	7.02.05.005	Needle bar connector	1	1
16	7.02.04.006	Needle bearing	1	1
17	7.02.18.009	Washer	1	1
18	7.02.05.006	Needle bar fixer	1	1
19	7.02.15.066	Needle bar fixer screw	1	1
20	7.02.16.011	Oil felt	1	1
21	7.02.12.001	Needle bar connector guide slot	1	1
22	7.02.15.021	Guide slot screw	2	2
23	7.02.12.002	Needle bar guide slide block	1	1
24	7.02.16.012	Oil felt	1	1
25	7.02.17.005	Oil felt holder	3	3
26	7.02.15.964	Oil felt pressing plate screw	2	2
27	7.02.17.001	Fixed plate of needle bar holder		1
28	7.02.15.022	Fixed plate screw		1
29	7.02.15.064	Set screw		1
30	7.02.08.025	Bushing		1
31	7.02.08.026	Bushing		1
32	7.02.13.001	Needle bar holder	1	1
33	7.02.10.012	Pin	1	1
34	7.02.03.007	Main shaft	1	1
35	7.02.09.001	Collar	1	1
36	7.02.15.054	Set screw	1	1
37	7.02.03.006	Needle bar	1	
	7.02.03.018	Needle bar		1
38	7.02.15.019	Needle clamp screw	1	
39	7.02.14.005	Needle bar thread stand		
40	7.02.18.002	Disk type washer	2	
41	7.02.04.010	Needle bearing	2	
42	7.02.08.004	Bushing	2	
43	7.02.08.024	Needle clamp bushing		1
44	7.02.15.040	Bushing screw		1
45	7.02.02.503	Needle holder		1
46		Needle holder screw		2

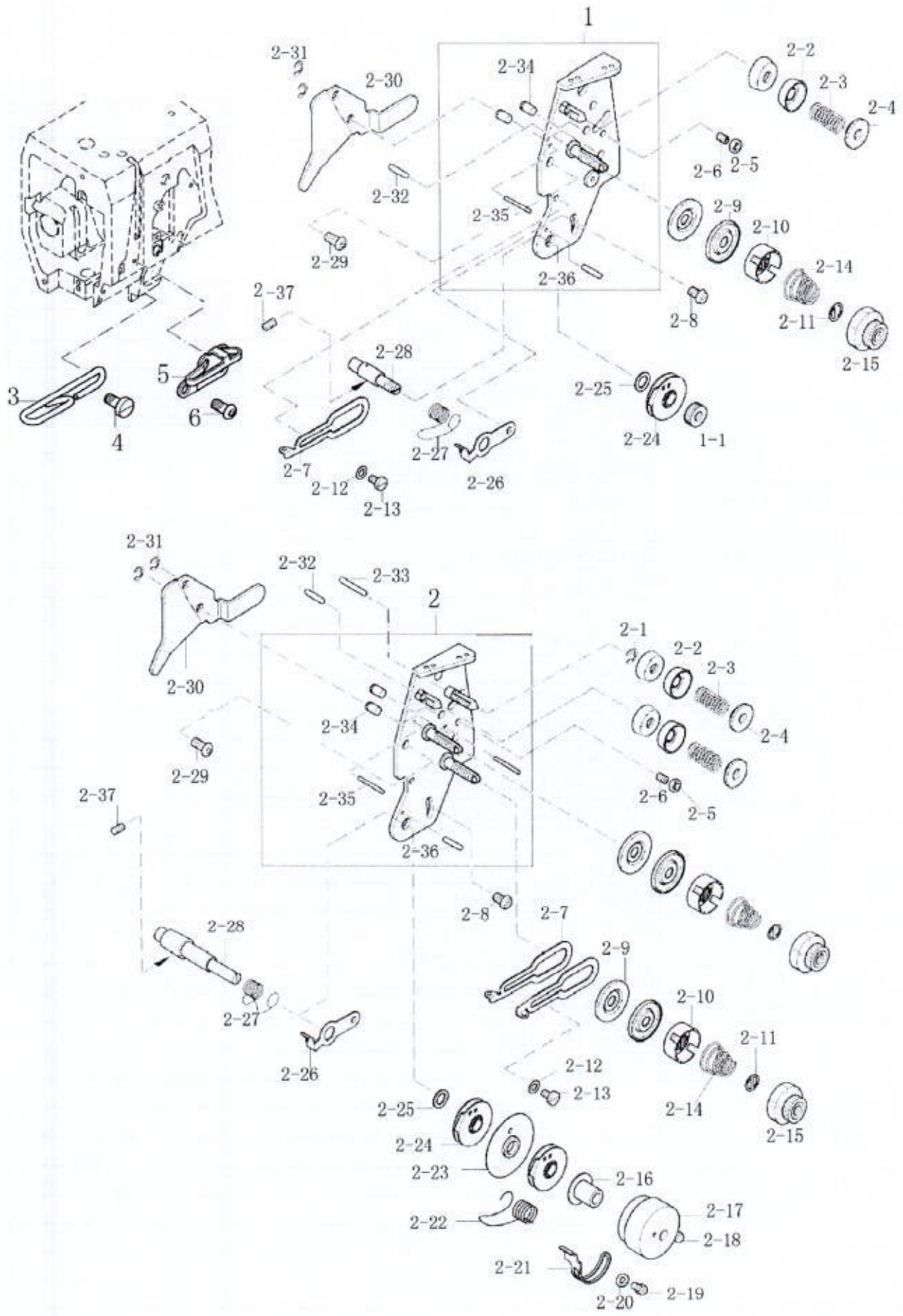
C. Needle bar holder parts



D.Thread tension regulator parts

No.	Part No.	Name	1 Needle	2 Needle
1	7.02.01.280	Thread tension regulator assy.	1	
1-1		Nut	1	
2	7.02.01.282	Thread tension regulator assy.		1
2-1.		E type ring		1
2-2.		Thread tension plate(Small)	1	2
2-3.		Spring	1	2
2-4.		Screw	1	2
2-5.		Nut	1	1
2-6.		Screw	1	1
2-7.		Thread guide plate	1	2
2-8.		Screw	1	1
2-9.		Thread tension disk	2	4
2-10.		Tension disk	1	2
2-11.		Washer	1	2
2-12.		Washer	1	1
2-13.		Screw	1	1
2-14.		Adjusting spring	1	2
2-15.		Nut	1	2
2-16.		Position shaft		1
2-17.		Bushing collar		1
2-18.		Screw		1
2-19.		Screw		1
2-20.		Washer		1
2-21.		Spring adjuster		1
2-22.		Thread take-up spring		1
2-23.		Fixed plate		1
2-24.		Spring disk	1	2
2-25.		Washer	1	1
2-26.		Ring	1	1
2-27.		Thread take-up spring	1	1
2-28.		Thread tension stud	1	
2-28-1		Thread tension stud		1
2-29	7.02.15.960	Screw	1	1
2-30		Thread tension releasing plate	1	1
2-31		E type ring	2	2
2-32		Thread releasing pin	1	1
2-33		Thread releasing pin	1	1
2-34		Fixed pin	2	2
2-35		Thread releasing pin	1	2
2-36		Thread releasing pin	1	1
2-37	7.02.15.049	Screw	1	1
3	7.02.14.110	Lower thread guide claw	1	1
4	7.02.15.965	Lower thread guide claw screw	1	1
5	7.02.14.111	Thread stand	1	1
6	7.02.15.973	Thread stand screw	1	1

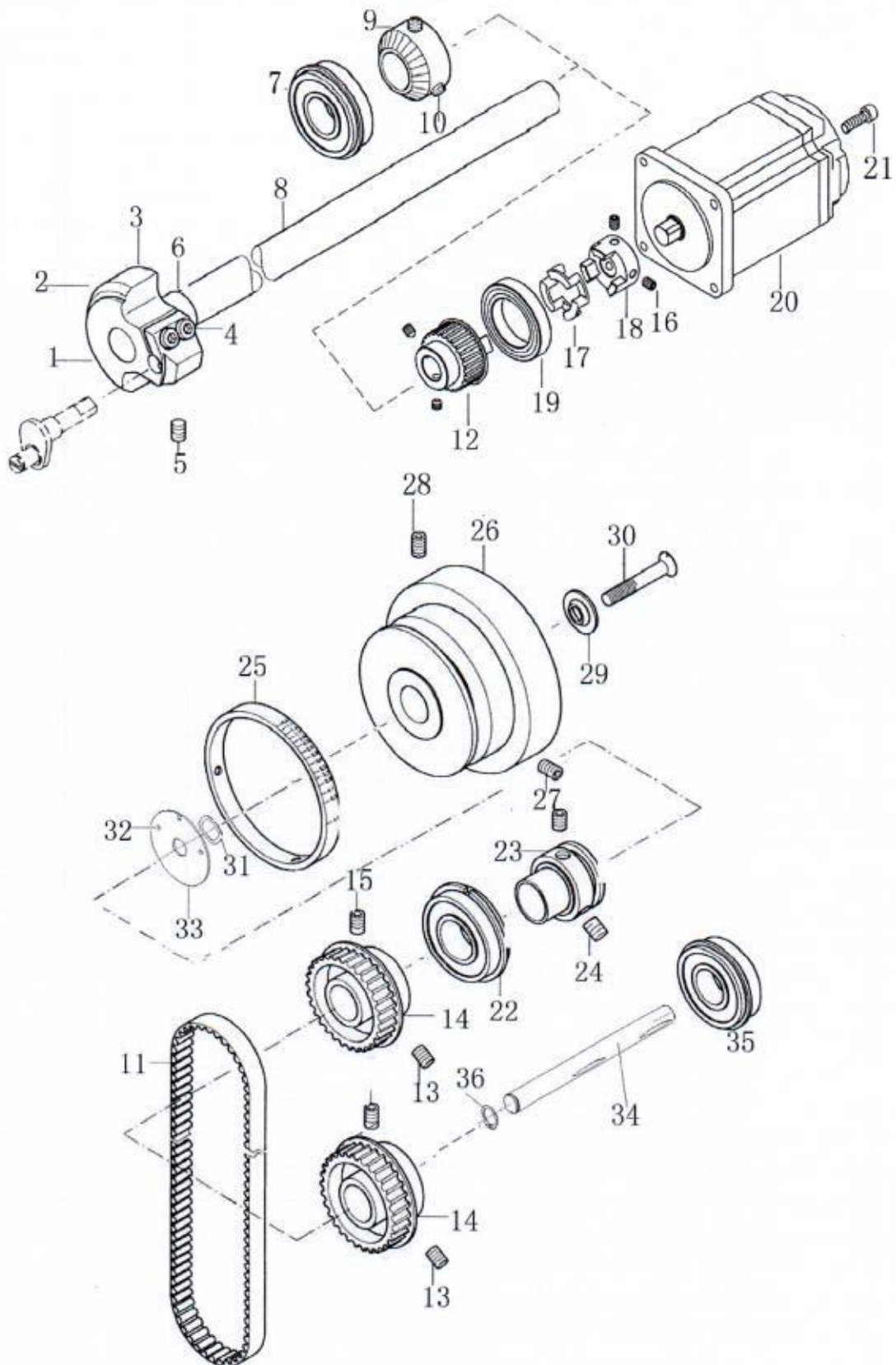
D.Thread tension regulator parts



E. Main shaft driving parts

No.	Part No.	Name	1 Needle	2 Needle
1	7.02.06.002	Cam	1	1
2	7.02.15.014	Cam set screw	1	1
3	7.02.15.013	Cam set screw	1	1
4	7.02.15.053	Screw	1	1
5	7.02.15.050	Set screw	1	1
6	7.02.09.004	Upper shaft bushing	1	1
7	7.02.04.008	Bearing	1	1
8	7.02.03.419	Upper shaft	1	1
9	7.02.07.262	Thread winder driven wheel	1	1
10	7.02.15.057	Driven wheel screw	2	2
11	7.02.07.003	Timing belt (Upper)	1	1
12	7.02.07.266	Timing belt wheel (Upper)	1	1
13	7.02.15.050	Set screw	3	3
14	7.02.07.002	Timing belt wheel (Middle)	2	2
15	7.02.15.051	Fixing screw	3	3
16	7.02.15.064	Set screw	3	3
17	7.02.16.415	Elastic component of clutch	1	1
18	7.02.08.473	Coupling	1	1
19	7.02.04.152	Bearing	1	1
20	7.02.19.343	Direct driven motor	1	1
21	7.02.15.445	Mounting screw	4	4
22	7.02.04.007	Bearing	1	1
23	7.02.08.003	Upper shaft bushing	2	2
24	7.02.15.054	Set screw	4	4
25	7.02.09.12002	Stitch length indicating ring	1	
	7.02.09.12102	Stitch length indicating ring		1
26	7.02.07.00101	Belt pulley	1	1
27	7.02.15.052	Belt pulley fixing screw	1	1
28	7.02.15.064	Belt pulley set screw	1	1
29	7.02.18.001	Spacer	1	1
30	7.02.15.016	Screw	1	1
31	7.02.18.120	Wave shape washer	1	1
32	7.02.19.012	Magnetic block	2	2
33	7.02.11.083	Stopper needle fixed plate	1	
34	7.02.03.332	Pulley shaft	1	1
35	7.02.04.012	Bearing	1	1
36	7.02.18.020	Elastic stop ring	1	1

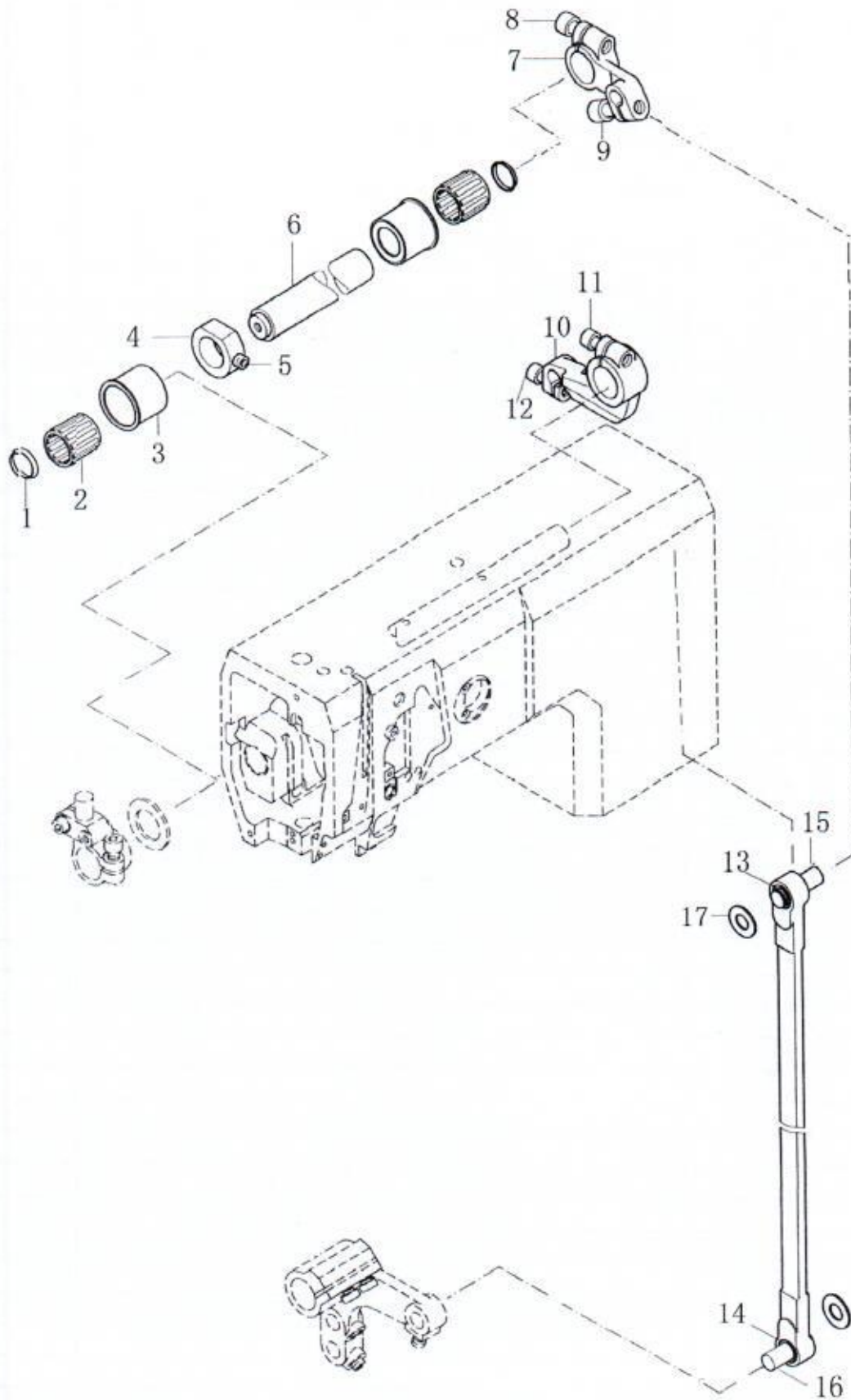
E. Main shaft driving parts



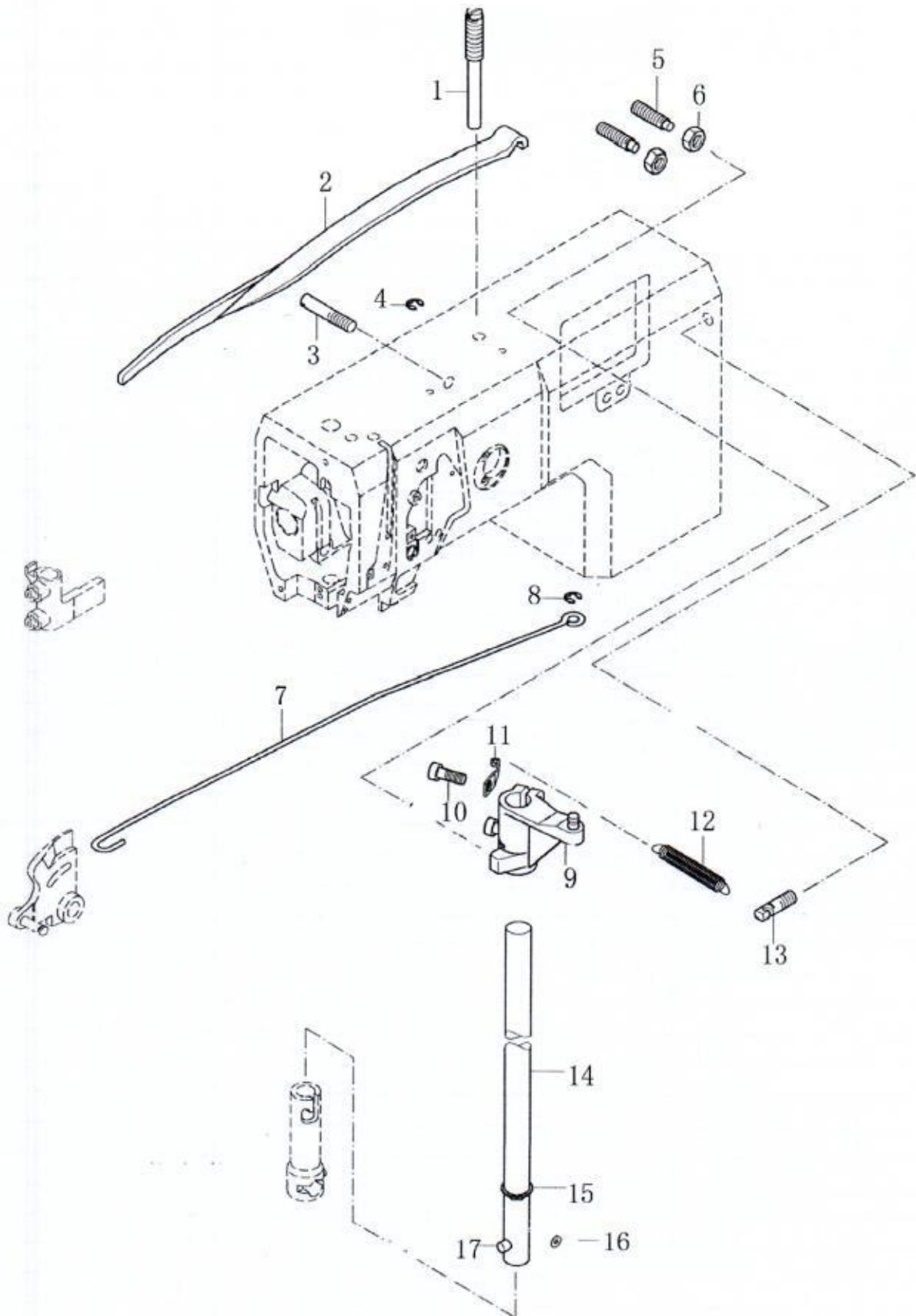
F. Upper side shaft feed parts

No.	Part No.	Name	1 Needle	2 Needle
1	7.02.18.002	Disk type washer	4	4
2	7.02.04.010	Needle bearing	2	2
3	7.02.08.004	Bushing	2	2
4	7.02.09.006	Collar	1	1
5	7.02.15.054	Set screw	1	1
6	7.02.03.424	Upper shaft	1	1
7	7.02.05.450	Upper shaft crank	1	1
8	7.02.15.048	Crank screw	1	1
9	7.02.15.594	Screw	1	1
10	7.02.05.441	Supporting arm	1	
11	7.02.15.048	Supporting arm screw	1	
12	7.02.15.053	Screw	1	
13	7.02.05.008	Connecting bar	1	1
14	7.02.04.009	Needle bearing	2	2
15	7.02.10.005	Pin (short)	1	1
16	7.02.10.007	Pin (long)	1	1

F. Upper side shaft feed parts



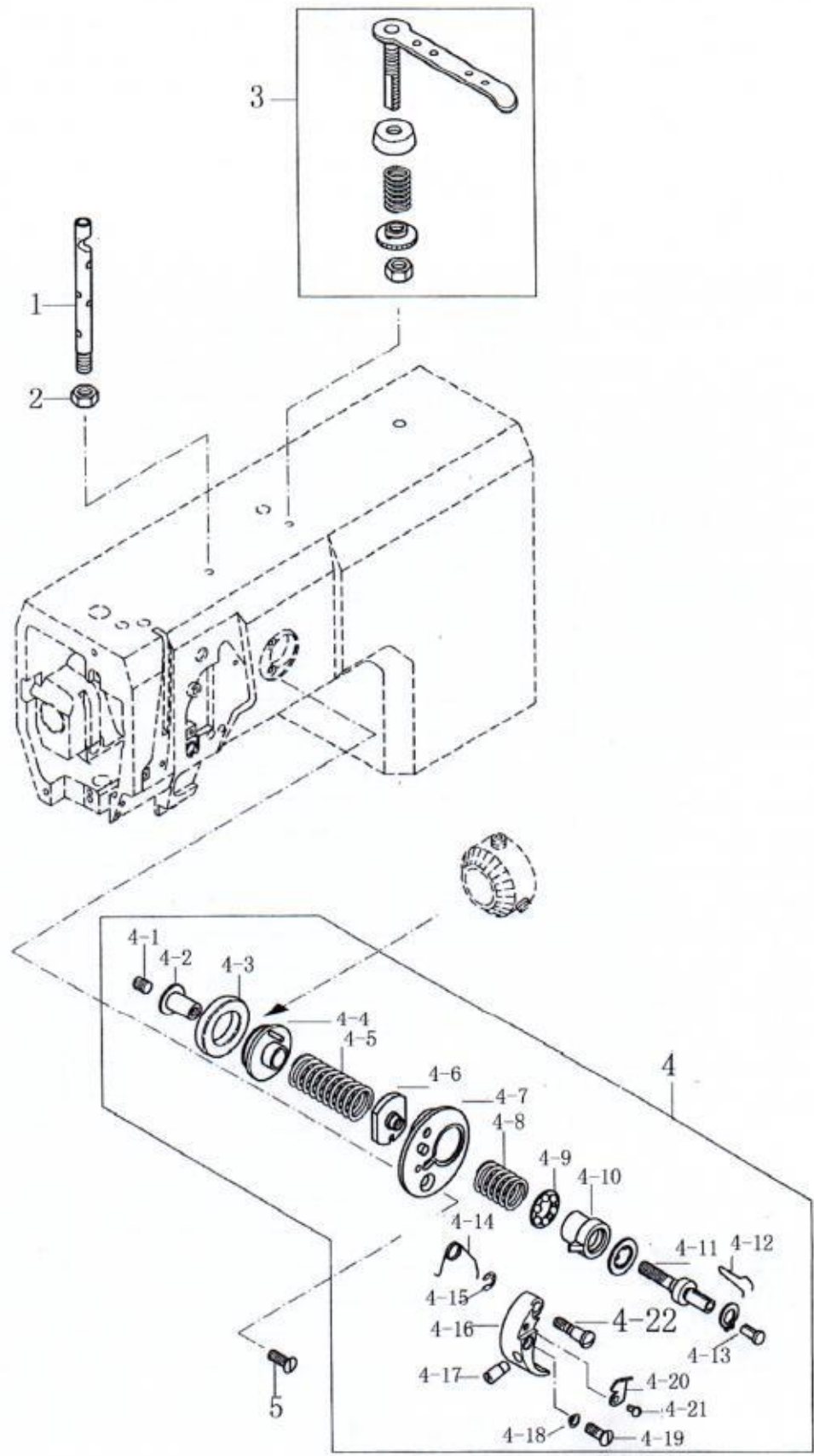
G. Presser foot lifting parts



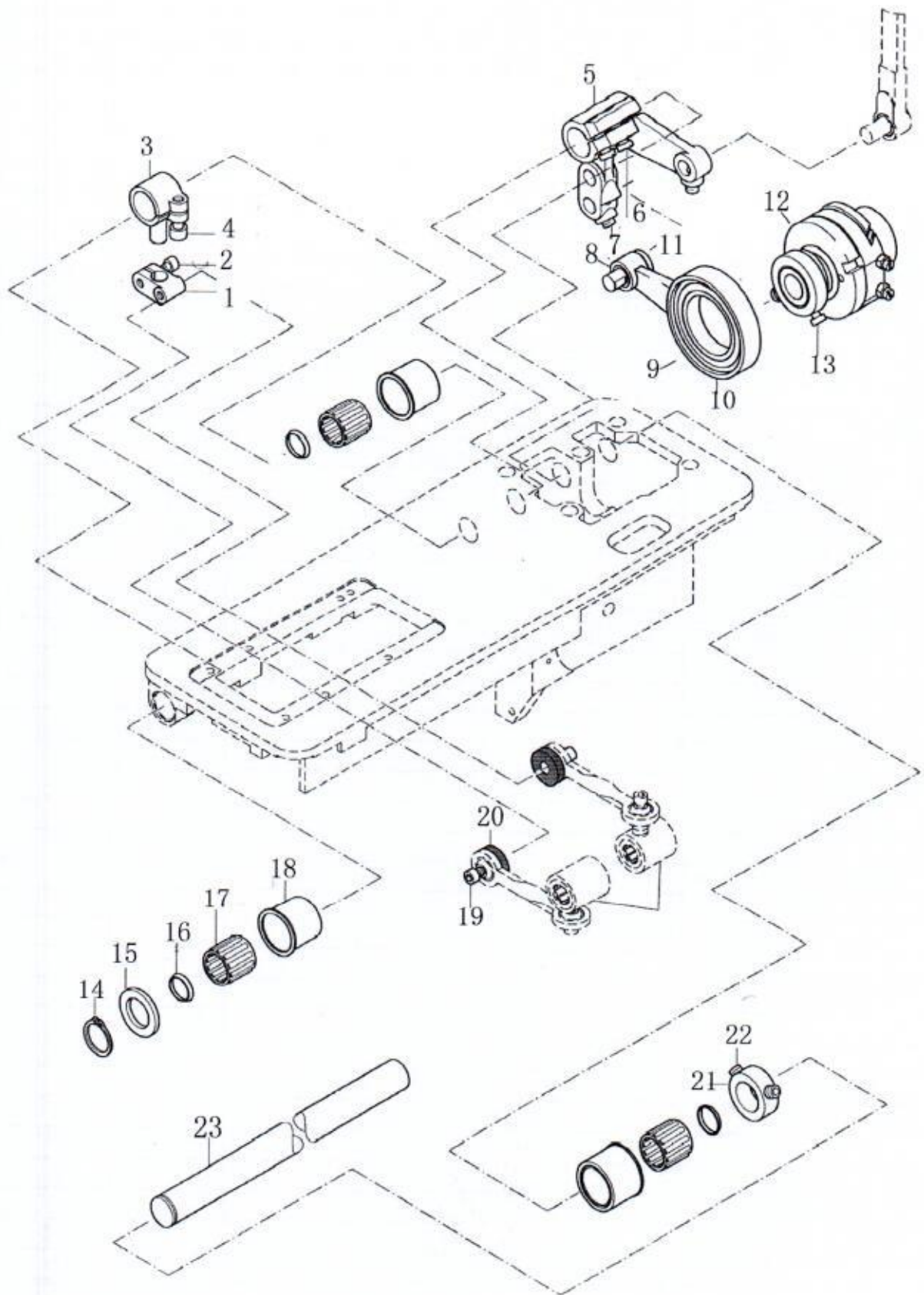
H. Bobbin winder parts

No.	Part No.	Name	1 Needle	2 Needle
1	7.02.21.029	Thread post	1	1
2		Nut	1	1
3	7.02.01.302	Bobbin winder thread tension assy.	1	1
4	7.02.01.281	Bobbin winder assy.	1	1
4-1		Stopper screw	1	1
4-2		Stopper block	1	1
4-3		Rubber ring	1	1
4-4		Driven wheel	1	1
4-5		Spring	1	1
4-6		Adjusting plate	1	1
4-7		Bobbin winder seat	1	1
4-8		Spring	1	1
4-9		Bearing	2	2
4-10		Bushing	1	1
4-11		Shaft	1	1
4-12		Spring	1	1
4-13		Plastic plug	1	1
4-14		Spring	1	1
4-15		E type ring	1	1
4-16		Adjusting seat	1	1
4-17		Adjusting bar	1	1
4-18		Washer	1	1
4-19		Screw	1	1
4-20		Cutter	1	1
4-21		Cutter screw	1	1
4-22		Screw	1	1
5	7.02.15.032	Screw	1	1

H. Bobbin winder parts



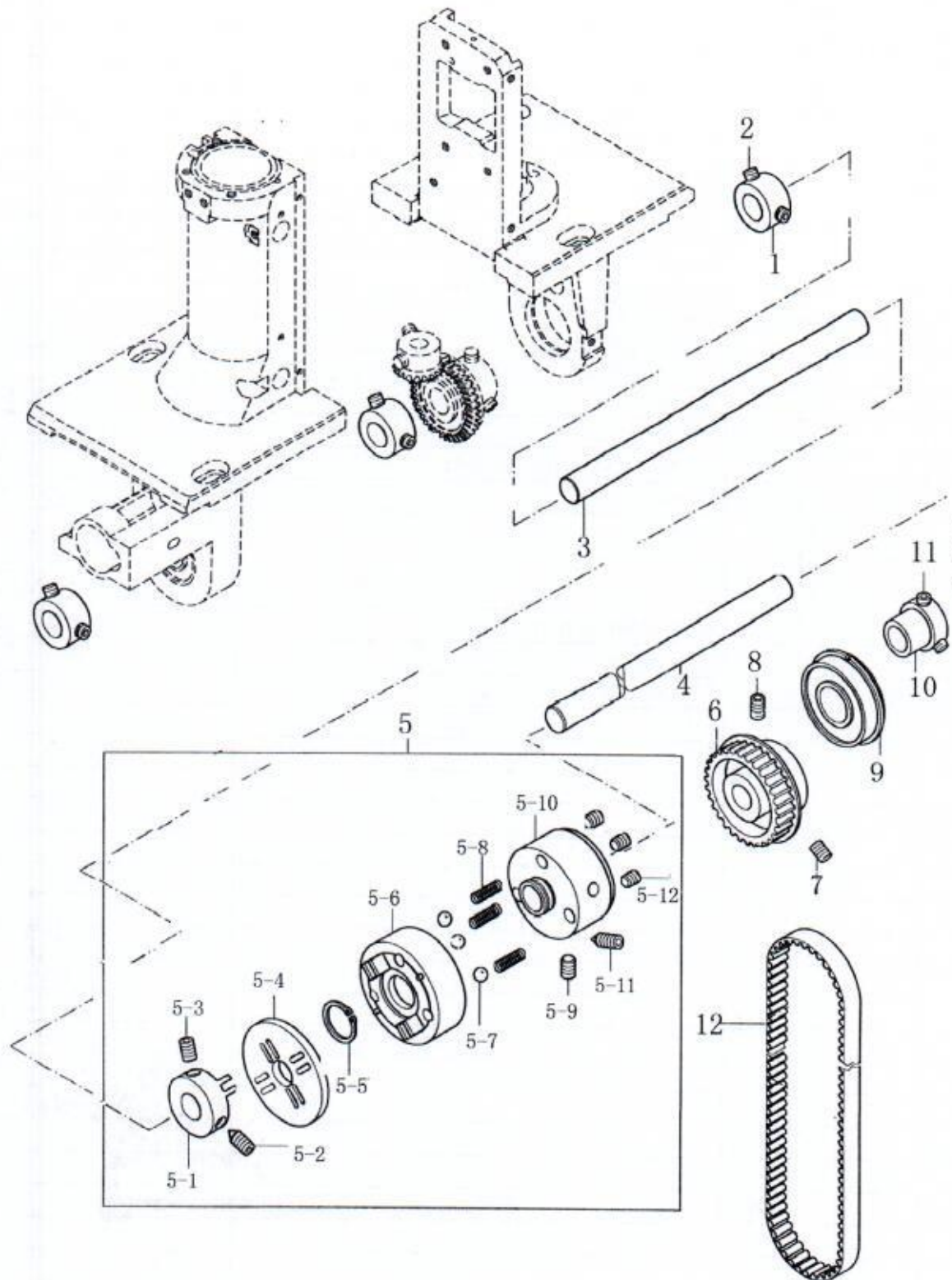
I. Stitch length adjustment parts



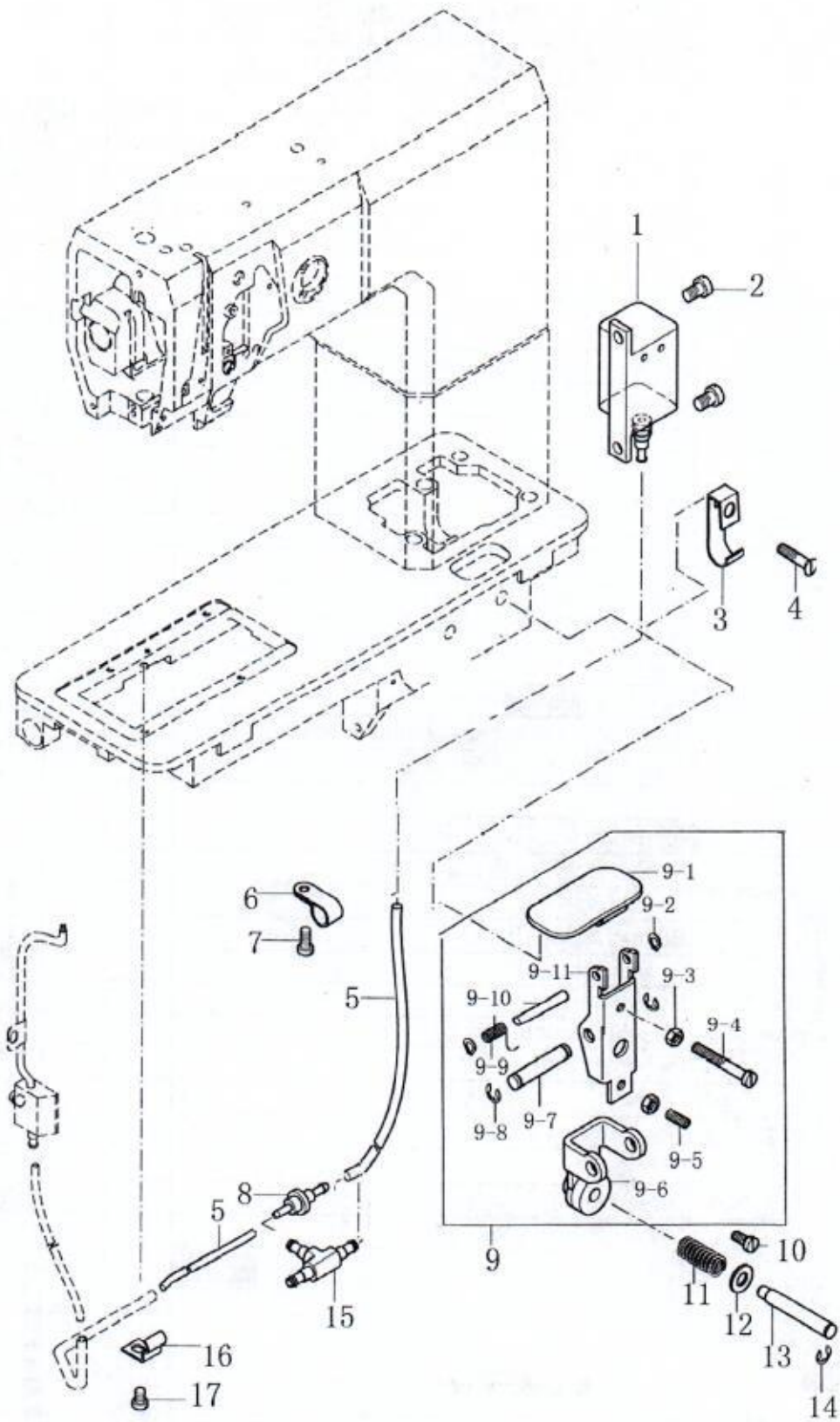
J. Clutch set parts

No.	Part No.	Name	1 Needle	2 Needle
1	7.02.09.079	Shaft washer	1	1
2	7.02.15.056	Screw	2	2
3	7.02.03.418	Lower shaft (Left)	1	1
4	7.02.03.334	Lower shaft (Right)	1	1
5	7.02.01.354	Safety clutch assy.	1	1
5-1		Coupling (Left)	1	1
5-2		Position screw	1	1
5-3		Set screw	1	1
5-4	7.02.16.419	Connecting plate	1	1
5-5		Elastic stop ring	2	2
5-6		Coupling (Right)	1	1
5-7		Ball	3	3
5-8		Spring	3	3
5-9		Set screw	1	1
5-10		Clutch seat	1	1
5-11		Position screw	1	1
5-12		Adjusting screw	3	3
6	7.02.07.005	Timing belt wheel (Lower)	1	1
7	7.02.15.051	Position screw	1	1
8	7.02.15.050	Set screw	1	1
9	7.02.04.013	Bearing	2	2
10	7.02.08.011	Bushing (right)	1	1
11	7.02.15.054	Set screw	2	2
12	7.02.07.004	Timing belt (Lower)	1	1

J. Clutch set parts



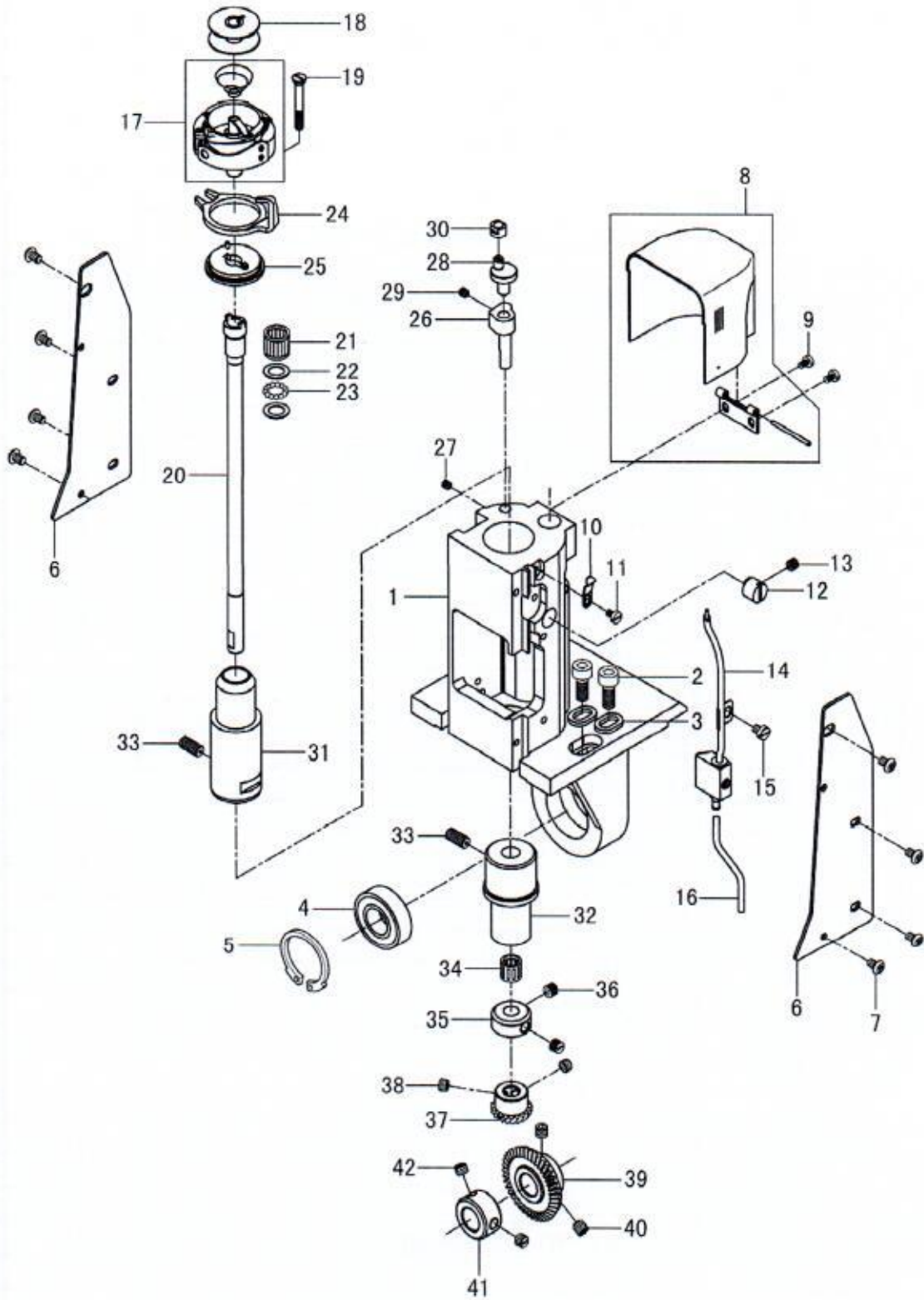
K. Oil lubrication parts



L.Right side bracket parts

No.	Part No.	Name	1 Needle	2 Needle
1	7.02.13.45001	Single needle side bracket	1	
2	7.02.15.965	Screw	2	
3	7.02.18.003	Washer	2	
4	7.02.04.110	Ball bearing	2	
5	7.02.18.250	Elastic retaining ring	2	
6	7.02.11.60001	Side cover	2	
7	7.02.15.973	Screw	8	
8	7.02.02.590	Post cap assy.	1	
9	7.02.15.973	Screw	2	
10	7.02.17.350	Spring plate	1	
11	7.02.15.433	Screw	1	
12	7.02.10.011	Adjusting pin	1	
13	7.02.15.056	Screw	1	
14	7.02.16.514	Hook oil supply valve assy.	1	
15	7.02.15.022	Screw	1	
16	7.02.16.047	Oil tube	1	
17	7.02.02.591	Hook assy.	1	
18	7.02.21.567	Bobbin	1	
19	7.02.15.1090	Screw	1	
20	7.02.03.505	Hook shaft	1	
21	7.02.04.200	Needle bearing	1	
22	7.02.18.410	Washer	2	
23	7.02.04.100	Ball	13	
24	7.02.02.592	Rotating hook opener	1	
25	7.02.08.540	Rotating hook opener eccentric bracket	1	
26	7.02.08.541	Rotating hook opener bracket	1	
27	7.02.15.047	Screw	1	
28	7.02.10.545	Adjusting pin	1	
29	7.02.15.047	Screw	1	
30	7.02.12.320	Slide block	1	
31	7.02.08.542	Bushing (Upper)	1	
32	7.02.08.543	Bushing (Lower)	1	
33	7.02.15.064	Screw	2	
34	7.02.04.009	Needle bearing	1	
35	7.02.09.115	Retaining ring	1	
36	7.02.15.054	Screw	2	
37	7.02.07.011	Gear (Small)	1	
38	7.02.15.054	Screw	2	
39	7.02.07.012	Gear (Large)	1	
40	7.02.15.050	Screw	2	
41	7.02.09.007	Collar	1	
42	7.02.15.054	Screw	2	

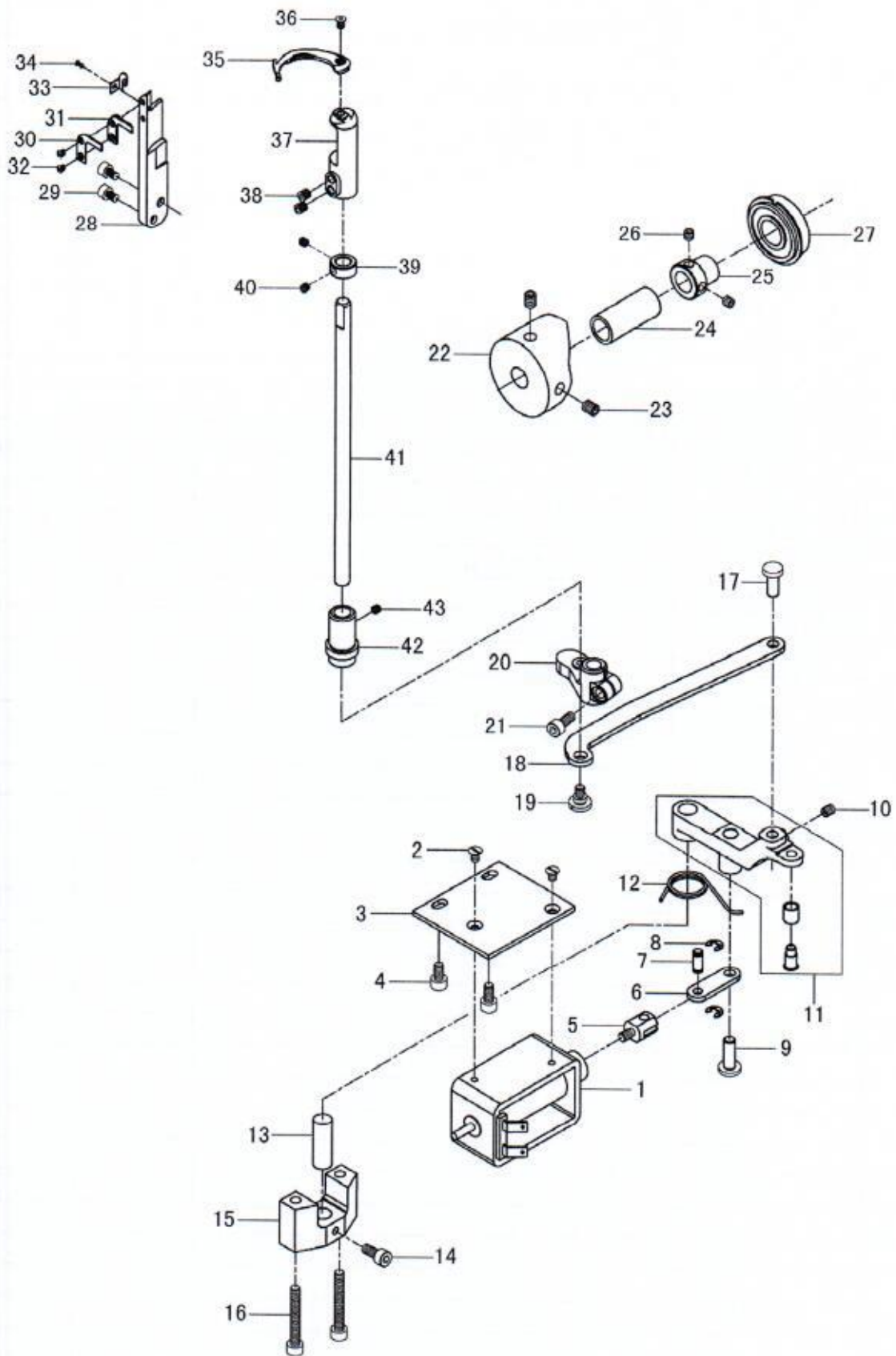
L.Right side bracket parts



M.Thread trimming parts

No.	Part No.	Name	1 Needle	2 Needle
1	7.02.19.391	Thread trimming solenoid	1	
2	7.02.15.797	Screw	2	
3	7.02.11.387	Fixed plate	1	
4	7.02.15.803	Fixed plate screw	2	
5	7.02.05.528	Thread trimming solenoid joint	1	
6	7.02.11.601	Solenoid connecting plate	1	
7	7.02.10.546	Solenoid connecting pin	1	
8	7.02.18.031	Split retaining ring	2	
9	7.02.10.367	Connecting lever pin	1	
10	7.02.15.056	Screw	2	
11	7.02.05.525	Thread trimming vibrating lever assy.	1	
12	7.02.17.490	Spring	1	
13	7.02.03.341	Thread trimming vibrating lever shaft	1	
14	7.02.15.908	Screw	1	
15	7.02.13.293	Thread trimming vibrating lever seat	1	
16	7.02.15.798	Screw	2	
17	7.02.10.369	Connecting lever pin	1	
18	7.02.05.526	Thread trimming connecting lever	1	
19	7.02.15.1091	Screw	1	
20	7.02.06.471	Thread trimming crank	1	
21	7.02.15.053	Screw	1	
22	7.02.06.470	Thread trimming cam	1	
23	7.02.15.050	Screw	2	
24	7.02.09.165	Cam gap ring	1	
25	7.02.08.010	Bearing bushing (left)	1	
26	7.02.15.056	Screw	2	
27	7.02.04.012	Bearing	1	
28	7.02.13.451	Fixed knife seat	1	
29	7.02.15.1092	Screw	2	
30	7.02.20.083	Thread guard plate	1	
31	7.02.20.080	Fixed knife	1	
32	7.02.15.1093	Screw	2	
33	7.02.20.081	Thread tension plate	1	
34	7.02.15.1094	Screw	1	
35	7.02.20.082	Movable knife	1	
36	7.02.15.1095	Screw	1	
37	7.02.13.452	Movable knife seat	1	
38	7.02.15.056	Screw	2	
39	7.02.09.166	Collar	1	
40	7.02.15.1096	Screw	2	
41	7.02.03.506	Movable knife shaft	1	
42	7.02.08.544	Movable knife shaft bushing	1	
43	7.02.15.047	Screw	1	

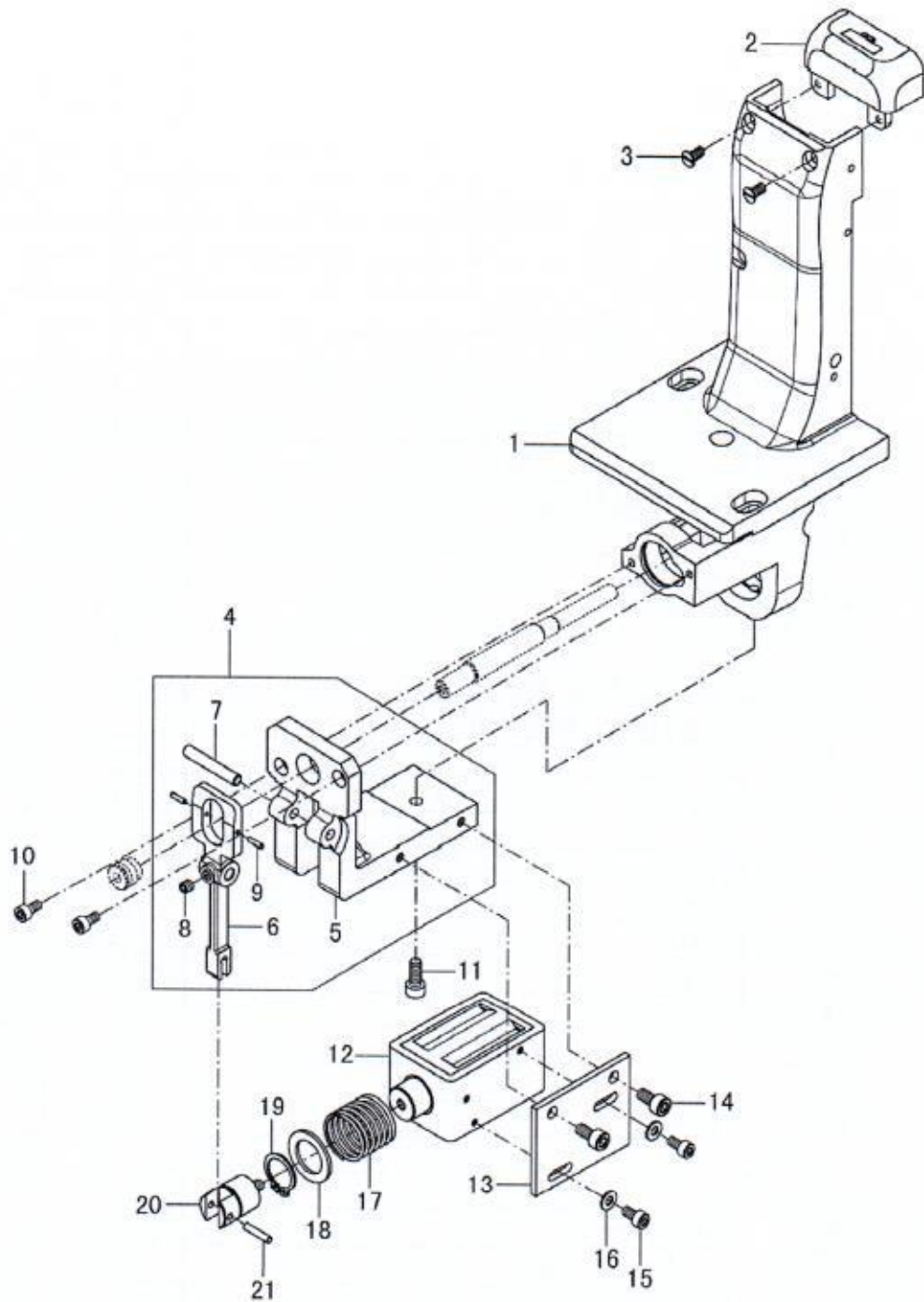
M.Thread trimming parts



N.Single needle bed plate backstitch parts

No.	Part No.	Name	1 Needle	2 Needle
1	7.02.13.44901	Bed plate	1	
2	7.02.02.588	Needle plate	1	
	7.02.02.589	Needle plate (Big hole)	(1)	
3	7.02.15.032	Screw	2	
4		Backstitch bracket assy.	1	
5	7.02.13.453	Backstitch solenoid bracket	1	
6	7.02.05.527	Backstitch lever(Lower)	1	
7	7.02.10.245	Pin	1	
8	7.02.15.056	Screw	1	
9	7.02.10.463	Pin	2	
10	7.02.15.555	Screw	2	
11	7.02.15.444	Screw	1	
12	7.02.19.392	Backstitch solenoid (Lower)	1	
13	7.02.11.602	Backstitch solenoid fixed plate	1	
14	7.02.15.803	Screw	2	
15	7.02.15.555	Screw	2	
16	7.02.18.071	Washer	2	
17	7.02.17.417	Spring	1	
18	7.02.18.330	Washer	1	
19	7.02.18.223	Elastic retaining ring	1	
20	7.02.05.449	Solenoid joint	1	
21	7.02.10.455	Pin	1	

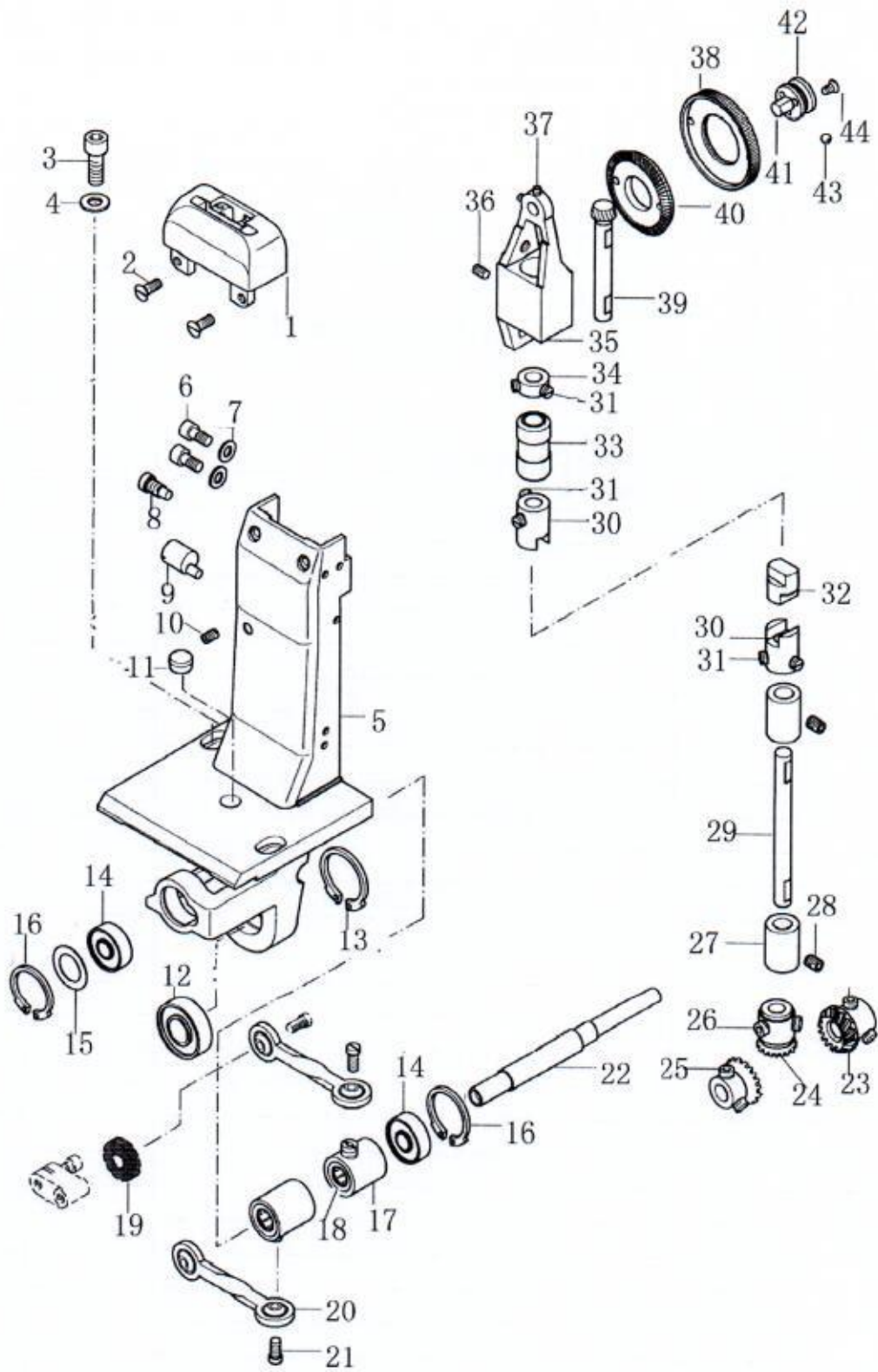
N.Single needle bed plate backstitch parts



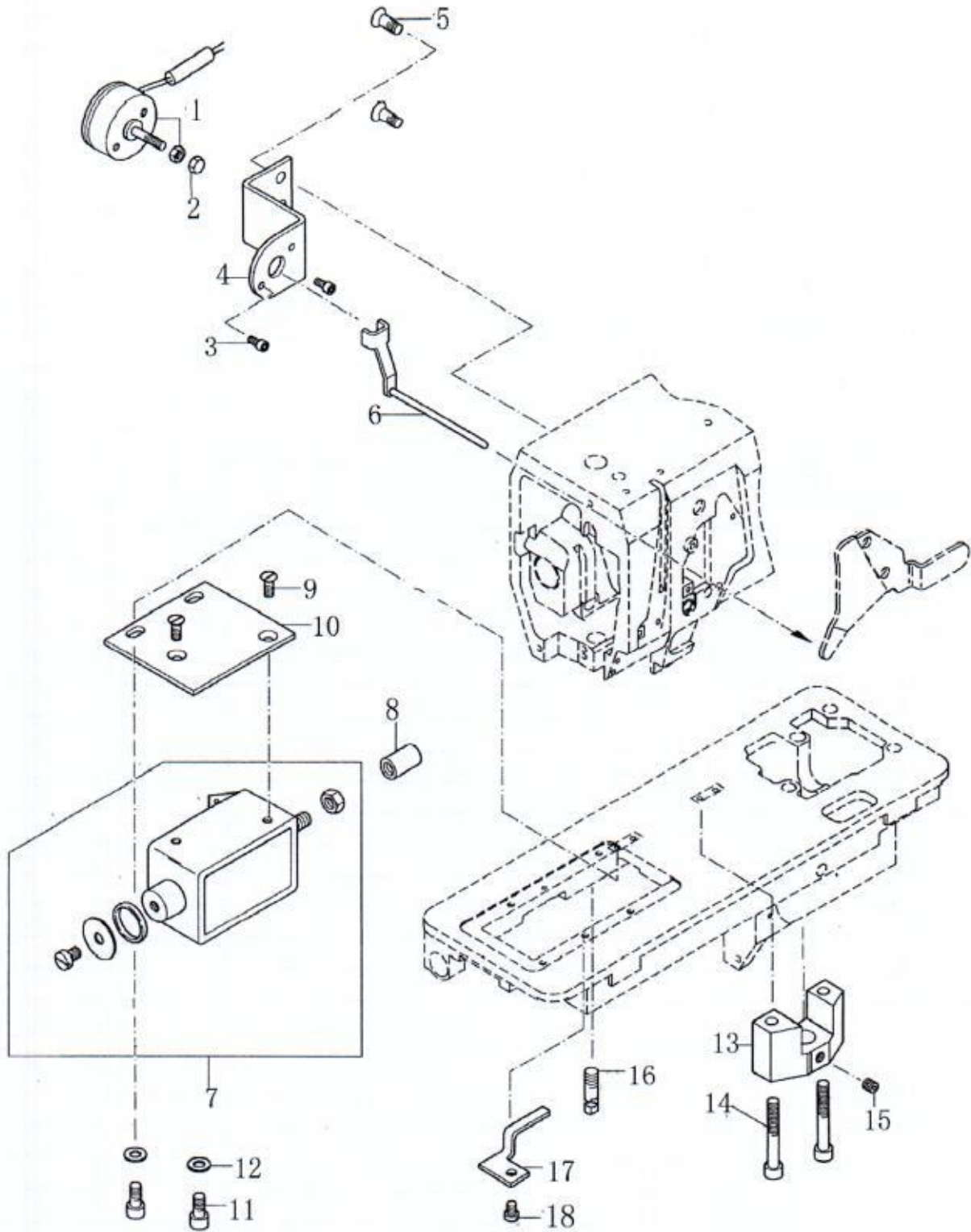
O. Bed plate feed parts

No.	Part No.	Name	1 Needle	2 Needle
1	7.02.02.397	Needle plate (Middle hole)	1	
	7.02.02.398	Needle plate (Small hole)	1	
2	7.02.15.032	Needle plate screw	2	
3	7.02.15.965	Screw	2	
4	7.02.18.003	Washer	2	
5	7.02.13.28901	Support plate	1	
6	7.02.15.053	Screw	2	
7	7.02.18.016	Washer	2	
8	7.02.15.030	Screw	1	
9	7.02.10.010	Adjusting pin	1	
10	7.02.15.031	Adjusting pin set screw	1	
11	7.02.16.101	Plastic plug	1	
12	7.02.04.110	Ball bearing	1	
13	7.02.18.250	Elastic retaining ring	1	
14	7.02.04.016	Ball bearing	2	
15		Washer	1	
16	7.02.18.027	Elastic retaining ring	1	
17	7.02.08.017	Free-wheeling seat	2	
18	7.02.04.001	Needle bearing	2	
19	7.02.16.010	Oil felt	4	
20	7.02.05.001	Link	2	
21	7.02.15.958	Screw	4	
22	7.02.03.425	Shaft	1	
23	7.02.07.009	Bevel gear (Small)	2	
24	7.02.07.170	Bevel gear (Medium)	1	
25	7.02.15.054	Screw	4	
26	7.02.15.050	Screw	2	
27	7.02.08.035	Bushing	2	
28	7.02.15.049	Screw	2	
29	7.02.03.019	Shaft	1	
30	7.02.08.016	Bushing	2	
31	7.02.15.036	Screw	6	
32	7.02.16.004	Plastic joint	1	
33	7.02.08.015	Bushing	1	
34	7.02.09.002	Collar	1	
35	7.02.13.002	Bracket	1	
36	7.02.15.035	Screw	1	
37	7.02.15.061	Screw	2	
38	7.02.07.006	Feed wheel	1	
39	7.02.07.008	Bevel gear (Lower)	1	
40	7.02.07.007	Bevel gear (Upper)	1	
41	7.02.10.002	Roller bracket (Upper)	1	
42	7.02.10.004	Roller bracket (Lower)	1	
43	7.02.04.021	Ball (φ2)	24	
44	7.02.15.034	Screw	3	

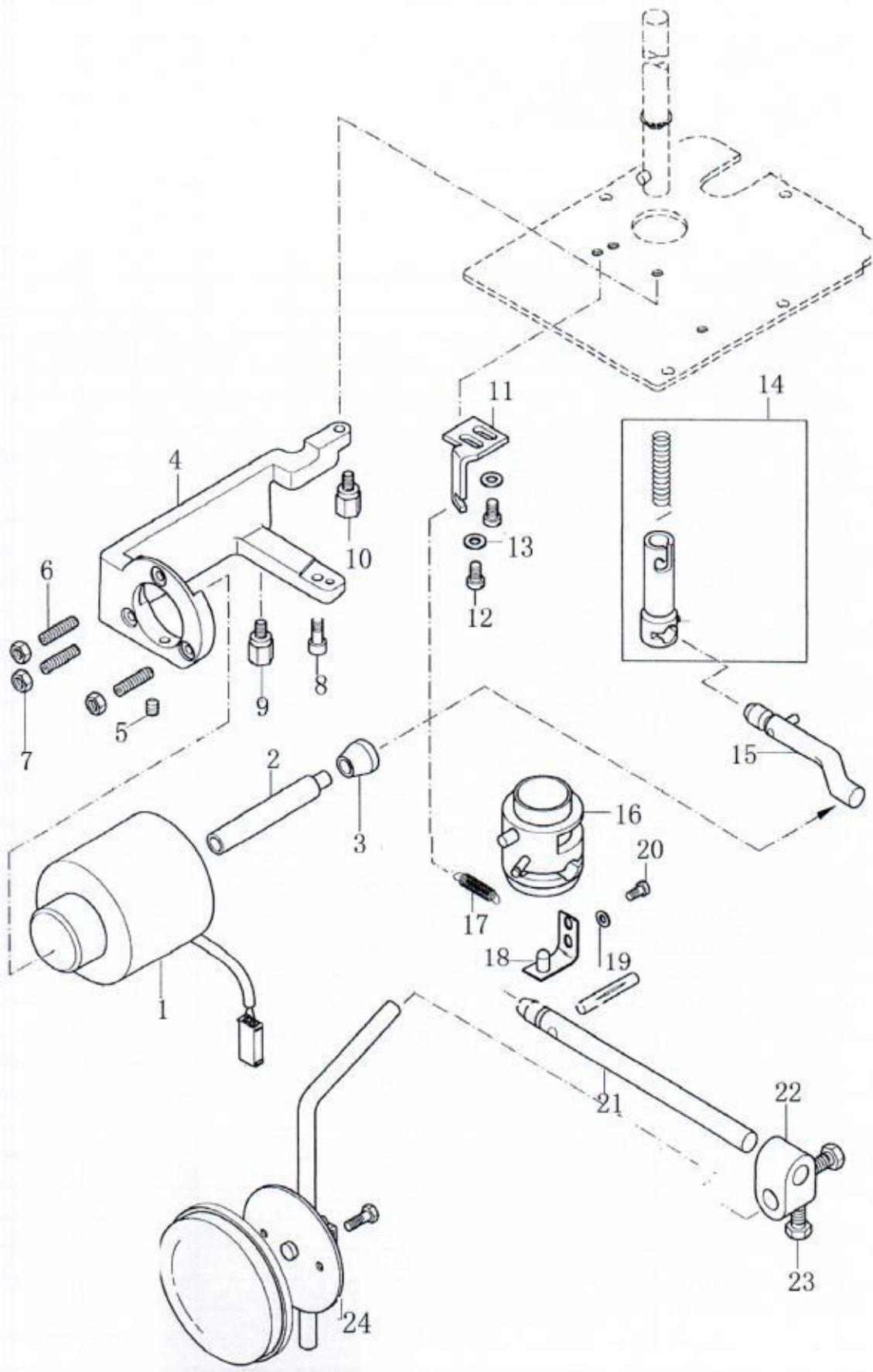
O. Bed plate feed parts



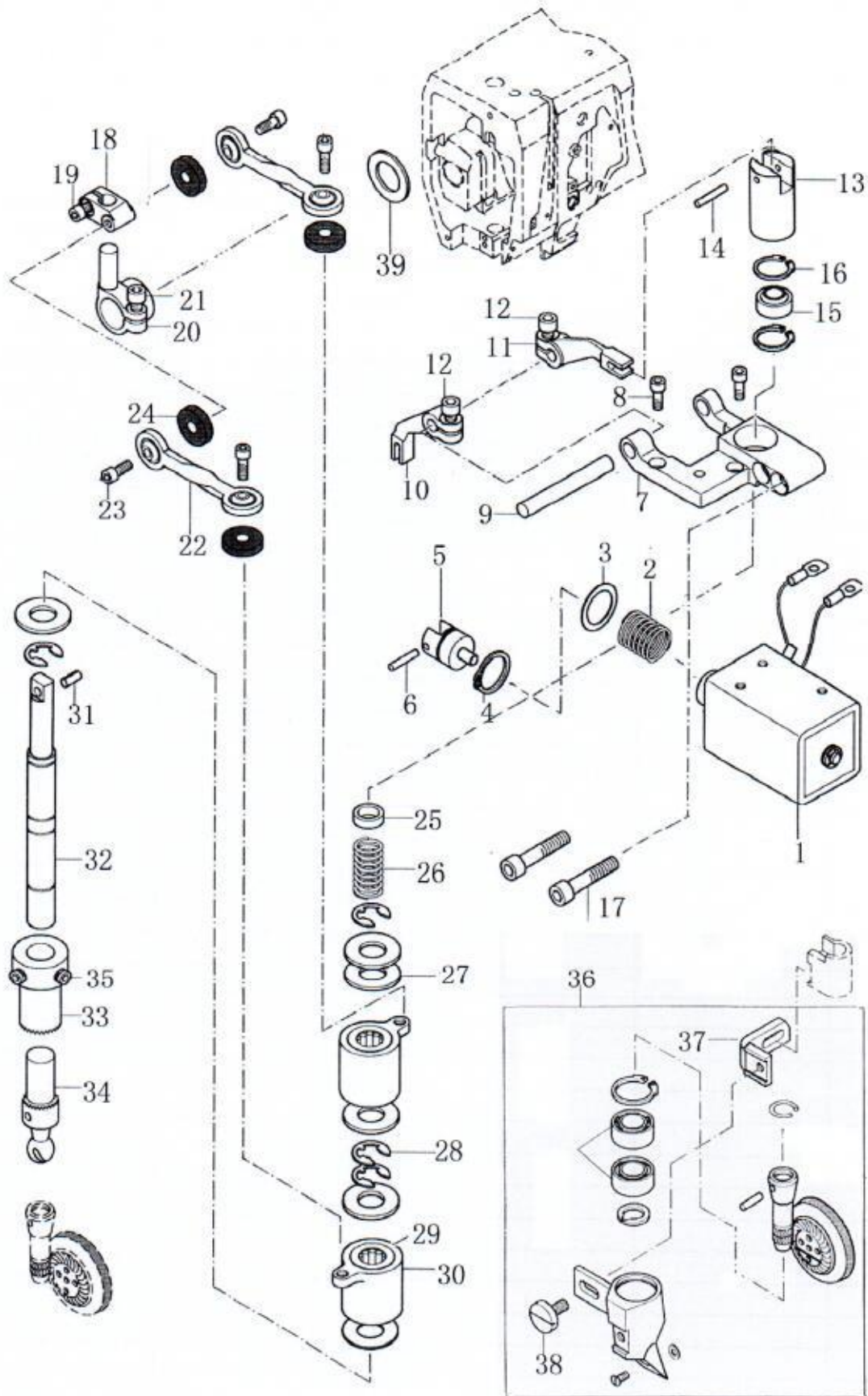
P. Solenoid for thread trimming parts



Q. Solenoid for presser foot lifting parts



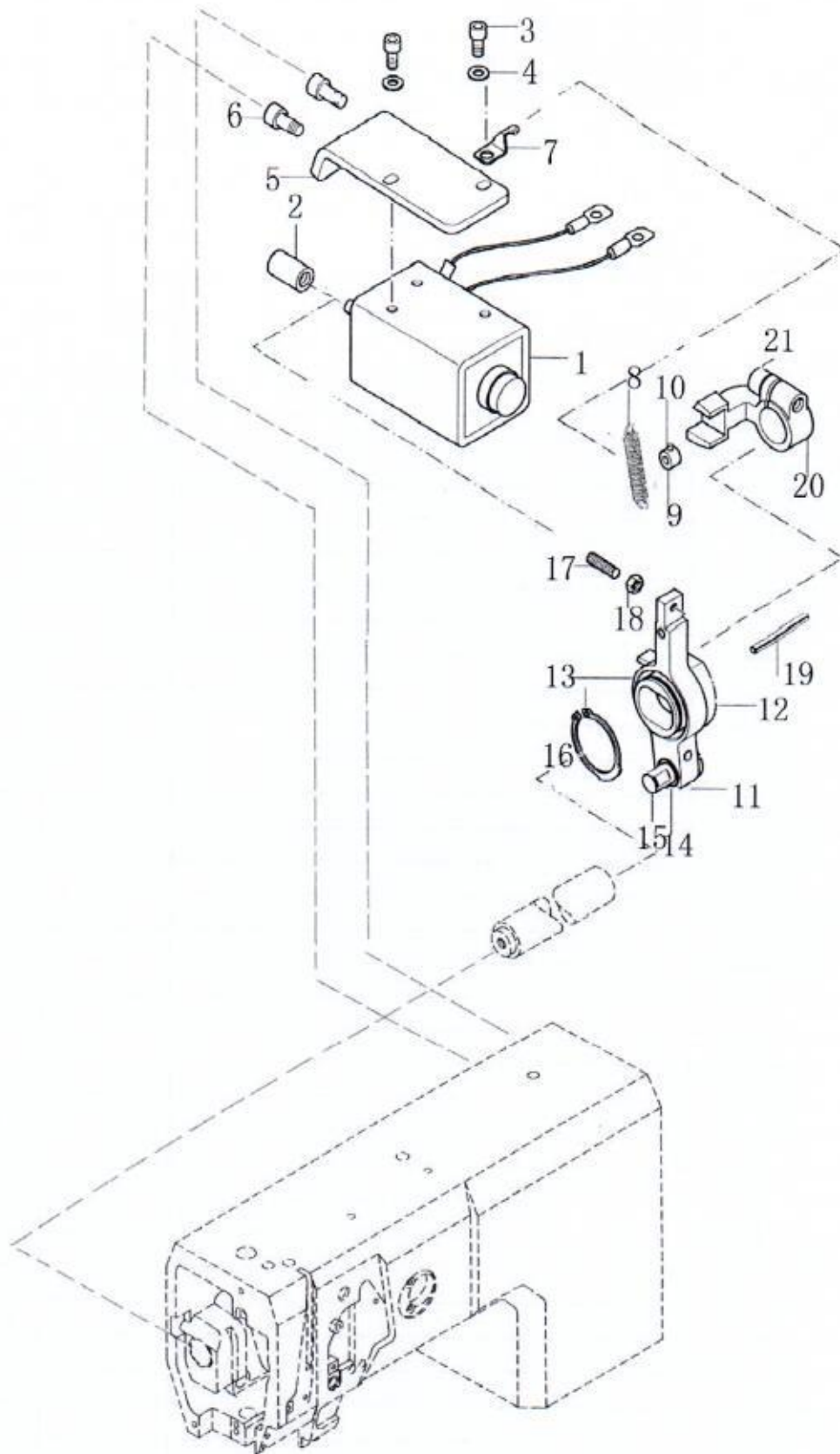
R. Upper feed and backstitch parts



S.Lower feed and backstitch parts for single needle

No.	Part No.	Name	1 Needle	2 Needle
1	7.02.19.348	Needle bar vibrating switch solenoid	1	
2	7.02.10.460	Solenoid joint	1	
3	7.02.15.555	Solenoid screw	2	
4	7.02.18.071	Washer	2	
5	7.02.11.504	Solenoid fixed plate	1	
6	7.02.15.053	Fixed plate screw	2	
7	7.02.17.003	Spring fixed plate	1	
8	7.02.17.138	Spring	1	
9	7.02.09.118	Tightening ring	1	
10		Screw	2	
11	7.02.05.448	Link	1	
12	7.02.06.352	Slide block	1	
13	7.02.04.011	Needle bearing	1	
14	7.02.04.009	Needle bearing	1	
15	7.02.10.005	Fixed pin (Short)	1	
16	7.02.18.029	Elastic retaining ring	1	
17	7.02.15.575	Adjusting screw	1	
18	7.02.15.268	Nut	1	
19	7.02.10.459	Pin	1	
20	7.02.06.351	Crank	1	
21	7.02.15.048	Screw	1	

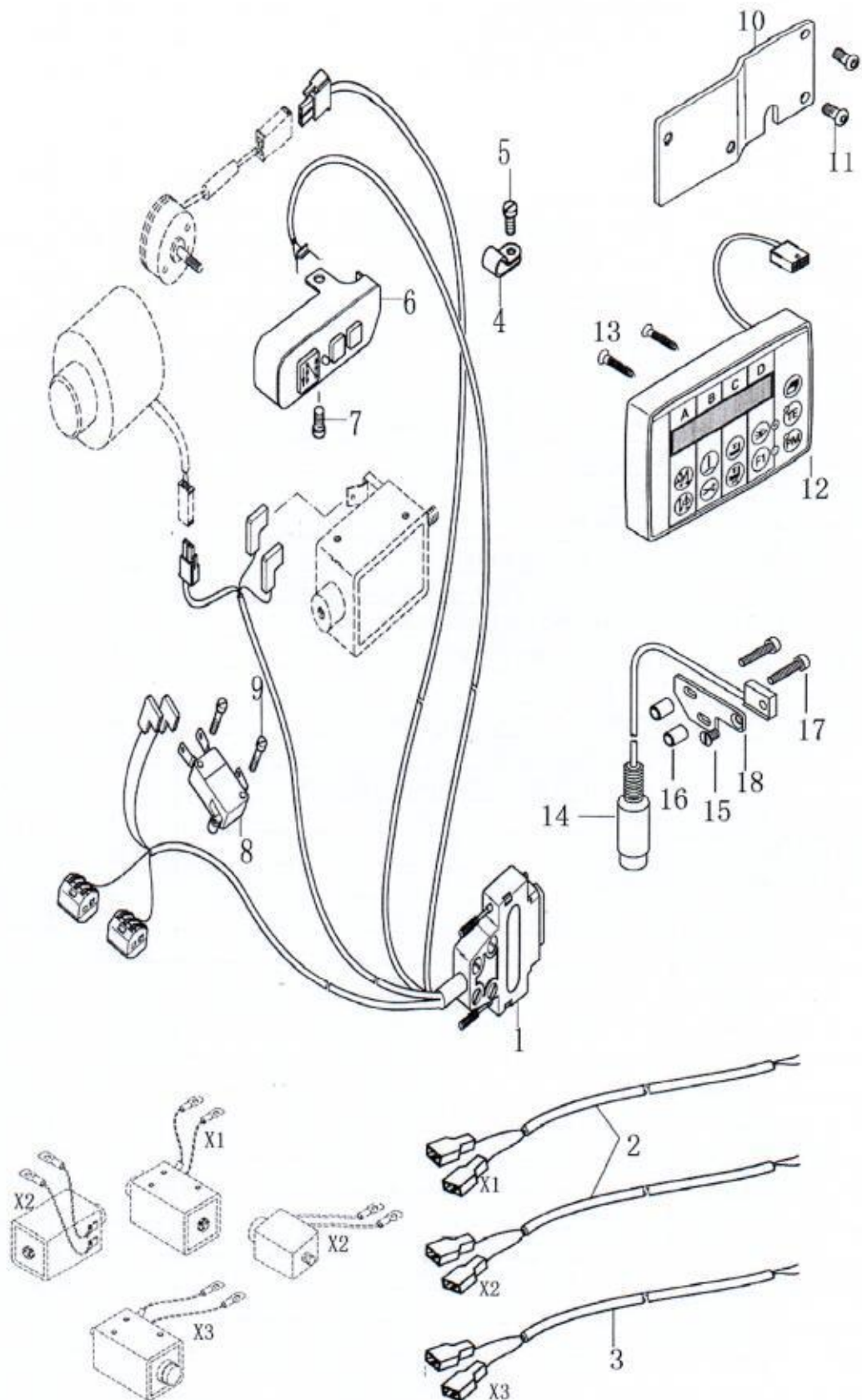
S.Lower feed and backstitch parts for single needle



T. Power cable connection

No.	Part No.	Name	1 Needle	2 Needle
1	7.02.19.350	Electric wire assy.	1	
2	7.02.19.353	Connection wire	1	
3		Connection wire	1	
4	7.02.16.413	Electric wire clamp	1	
5	7.02.15.006	Screw	1	
6	7.02.19.341	Switch box assy.	1	
7	7.02.15.960	Screw	1	
8	7.02.19.212	Safety switch	1	
9	7.02.15.802	Screw	2	
10	7.02.11.503	Fitting plate	1	
11	7.02.15.960	Screw	2	
12		Operation panel	1	
13	7.02.15.043	Screw	2	
14	7.02.01.057	Positioner	1	
15	7.02.15.553	Fixed screw	1	
16	7.02.08.143	Bushing	2	
17	7.02.15.552	Screw	2	
18	7.02.17.127	Fixed plate	1	

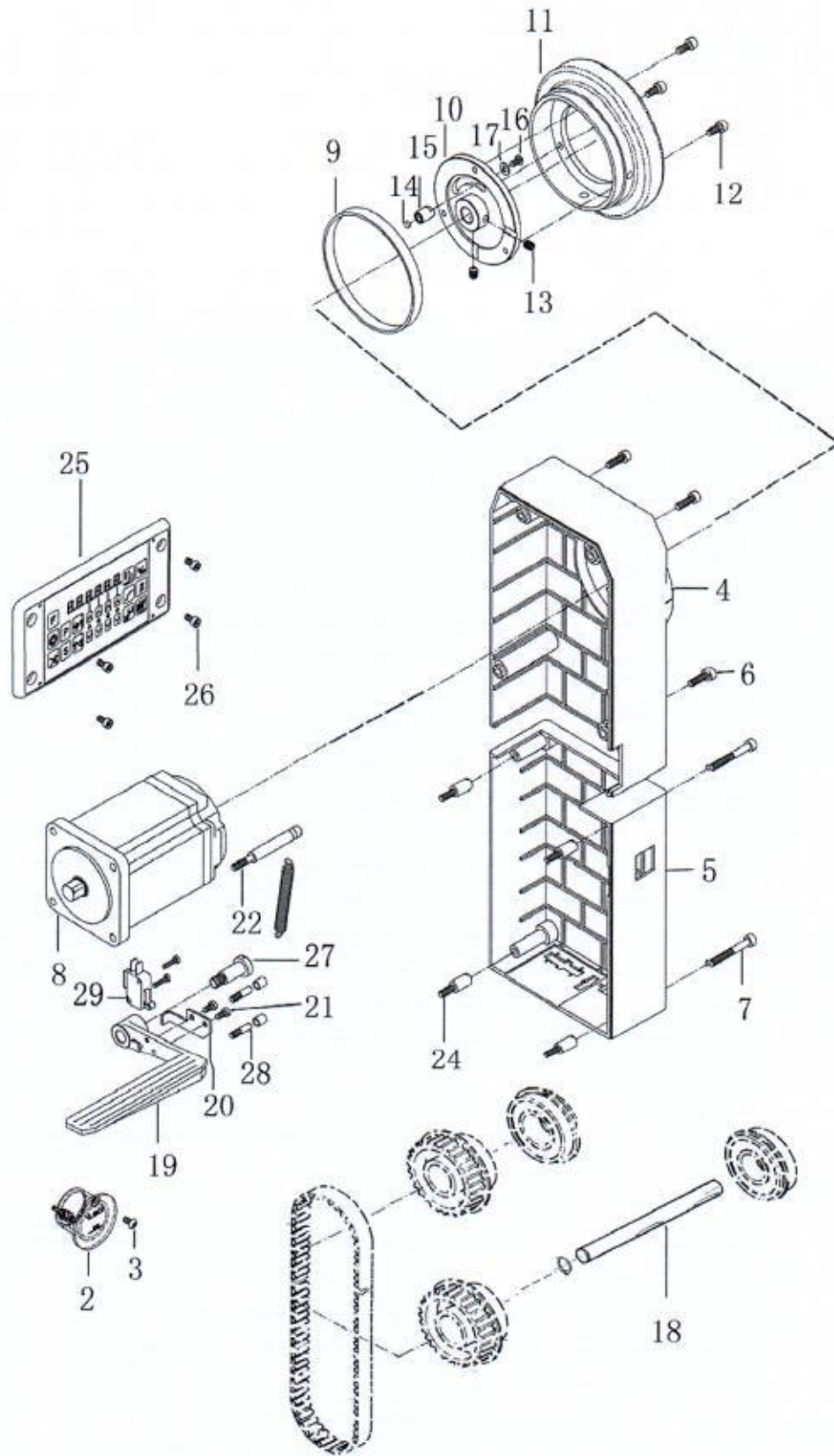
T. Power cable connection



U. Parts of integrated machine

No.	Part No.	Name	1 Needle	2 Needle
1	7.02.01.072	Machine case	1	
2	7.02.16.430	Oil box Assy.	1	
3	7.02.15.975	Oil box screw	1	
4	7.02.16.431	Back over (Upper)	1	
5	7.02.16.432	Back over (Lower)	1	
6	7.02.15.058	Screw	4	
7	7.02.15.997	Screw	4	
8	7.02.19.359	Motor	1	
9	7.02.09.120	Stitch length indicating ring	1	
	7.02.09.121	Stitch length indicating ring		
10	7.02.07.280	Hand wheel (Small)	1	
11	7.02.07.281	Hand wheel (Large)	1	
12	7.02.15.803	Connecting screw	3	
13	7.02.15.057	Fixing screw	2	
14	7.02.19.012	Magnetic block	1	
15	7.02.12.283	Magnetic block mounting column	1	
16	7.02.19.975	Mounting screw	1	
17	7.02.18.071	Washer	1	
18	7.02.03.427	Middle shaft	1	
19	7.02.05.451	Backstitch spanner	1	
20	7.02.11.520	Backstitch switch connecting plate	1	
21	7.02.15.006	Connecting plate screw	2	
22	7.02.15.998	Backstitch spring pin	1	
23		Mainboard	1	
24	7.02.15.999	Mainboard mounting screw	4	
25		Operating panel	1	
26		Operating panel mounting screw	4	
27	7.02.15.979	Screw	1	
28	7.02.15.988	Screw	2	
29	7.02.19.356	Backstitch switch	1	

U. Parts of integrated machine



V. Accessories

