



GLOBAL

LP 8971-I-LH-AUT

DIRECT DRIVE POSTBED WITH LARGE
HOOK

Parts manual

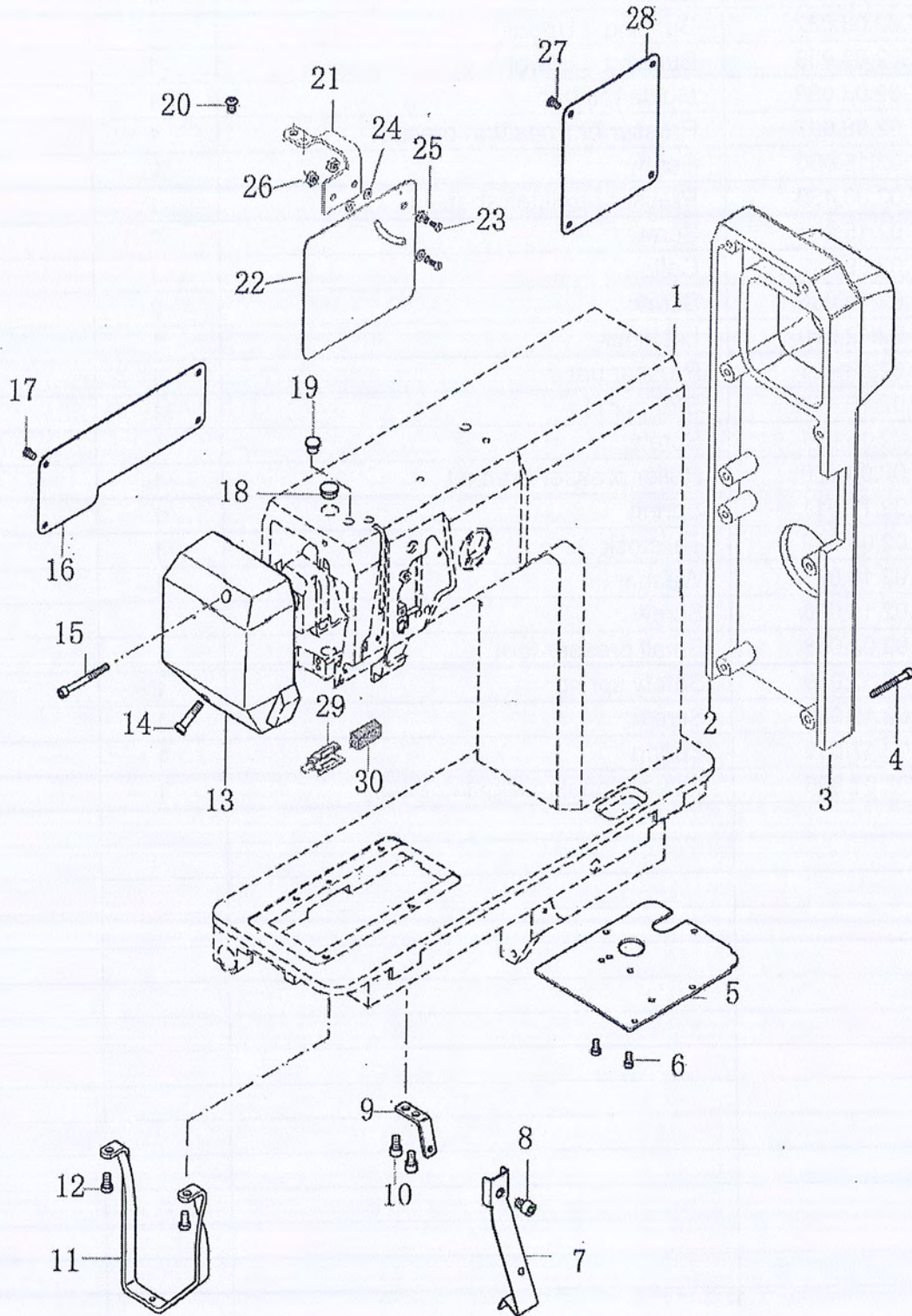
www.globalsew.com

info@globalsew.com

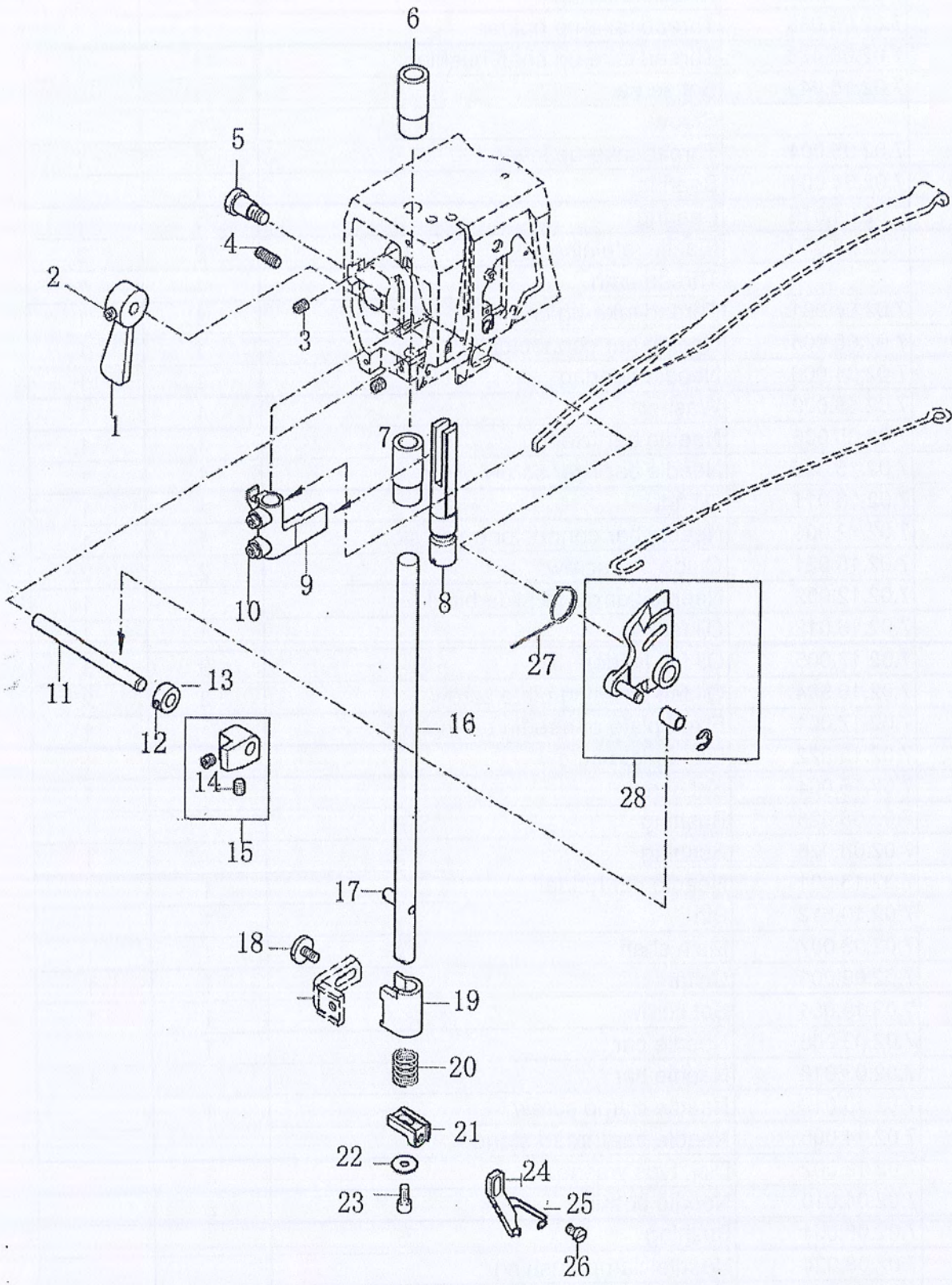
CONTENT

A. Arm bed and its accessories.....	2
B. Presser bar parts.....	4
C. Needle bar holder parts.....	6
D. Thread tension regulator parts.....	8
E. Main shaft driving parts.....	10
F. Upper side shaft feed parts.....	12
G. Presser foot lifting parts.....	14
H. Bobbin winder parts.....	16
I. Stitch length adjustment parts.....	18
J. Clutch set parts.....	20
K. Oil lubrication parts.....	22
L. Right side bracket parts.....	24
M. Thread trimming parts.....	26
N. Single needle bed plate backstitch parts.....	28
O. Bed plate feed parts.....	30
P. Solenoid for thread trimming parts.....	32
Q. Solenoid for presser foot lifting parts.....	34
R. Upper feed and backstitch parts.....	36
S. Lower feed and backstitch parts for single needle.....	38
T. Power cable connection.....	40
U. Parts of integrated machine.....	42
V. Accessories.....	44

A. Arm bed and its accessories



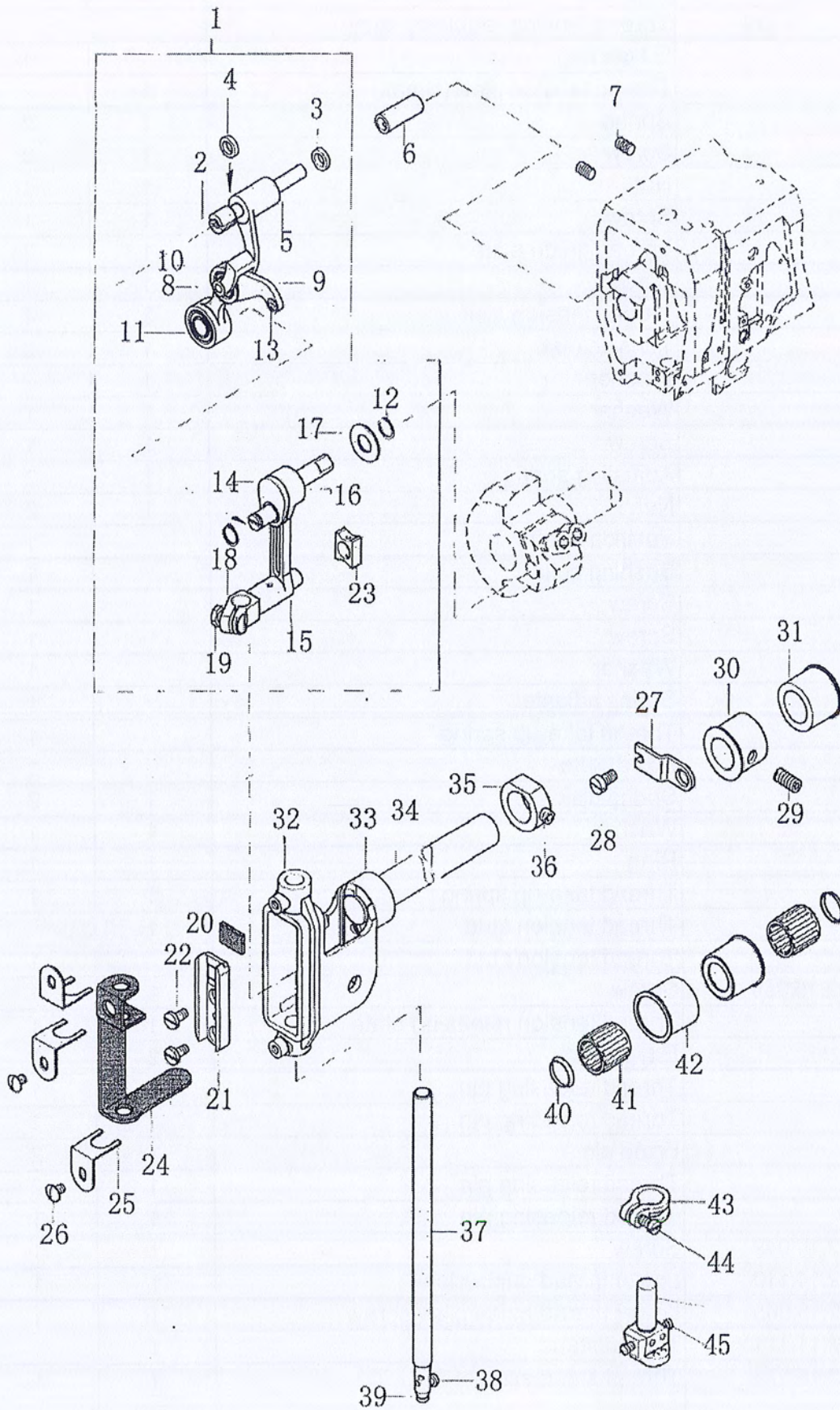
B.Presser bar parts



C. Needle bar holder parts

No.	Part No.	Name	1 Needle	2 Needle
1	7.02.01.353	Thread take-up assy.	1	1
2	7.02.10.462	Thread take-up fixed pin	1	1
3	7.02.09.003	Plastic stop ring	2	2
4	7.02.04.005	Needle bearing	2	2
5	7.02.05.003	Thread take-up holder	1	1
6	7.02.08.476	Thread take-up shaft bushing	1	1
7	7.02.15.049	Set screw	2	2
8		Screw	1	1
9	7.02.05.004	Thread take-up lever	1	1
10	7.02.04.004	Bearing	1	1
11	7.02.04.016	Bearing	1	1
12	7.02.18.030	Elastic retaining ring	2	2
13		Thread path	1	1
14	7.02.06.001	Thread take-up crank	1	1
15	7.02.05.005	Needle bar connector	1	1
16	7.02.04.006	Needle bearing	1	1
17	7.02.18.009	Washer	1	1
18	7.02.05.006	Needle bar fixer	1	1
19	7.02.15.066	Needle bar fixer screw	1	1
20	7.02.16.011	Oil felt	1	1
21	7.02.12.001	Needle bar connector guide slot	1	1
22	7.02.15.021	Guide slot screw	2	2
23	7.02.12.002	Needle bar guide slide block	1	1
24	7.02.16.012	Oil felt	1	1
25	7.02.17.005	Oil felt holder	3	3
26	7.02.15.964	Oil felt pressing plate screw	2	2
27	7.02.17.001	Fixed plate of needle bar holder		1
28	7.02.15.022	Fixed plate screw		1
29	7.02.15.064	Set screw		1
30	7.02.08.025	Bushing		1
31	7.02.08.026	Bushing		1
32	7.02.13.001	Needle bar holder	1	1
33	7.02.10.012	Pin	1	1
34	7.02.03.007	Main shaft	1	1
35	7.02.09.001	Collar	1	1
36	7.02.15.054	Set screw	1	1
37	7.02.03.006	Needle bar	1	
	7.02.03.018	Needle bar		1
38	7.02.15.019	Needle clamp screw	1	
39	7.02.14.005	Needle bar thread stand		
40	7.02.18.002	Disk type washer	2	
41	7.02.04.010	Needle bearing	2	
42	7.02.08.004	Bushing	2	
43	7.02.08.024	Needle clamp bushing		1
44	7.02.15.040	Bushing screw		1
45	7.02.02.503	Needle holder		1
46		Needle holder screw		2

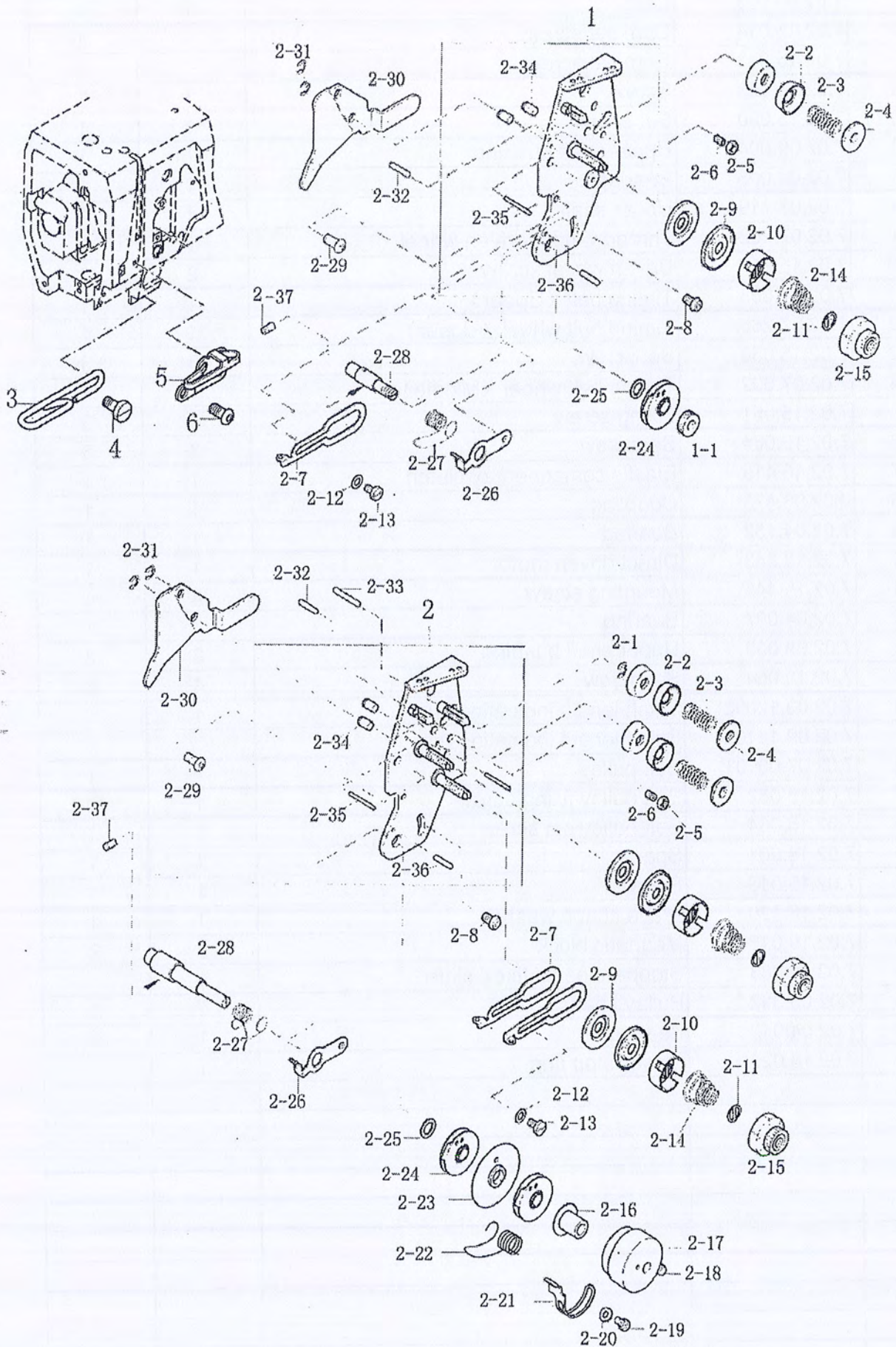
C. Needle bar holder parts



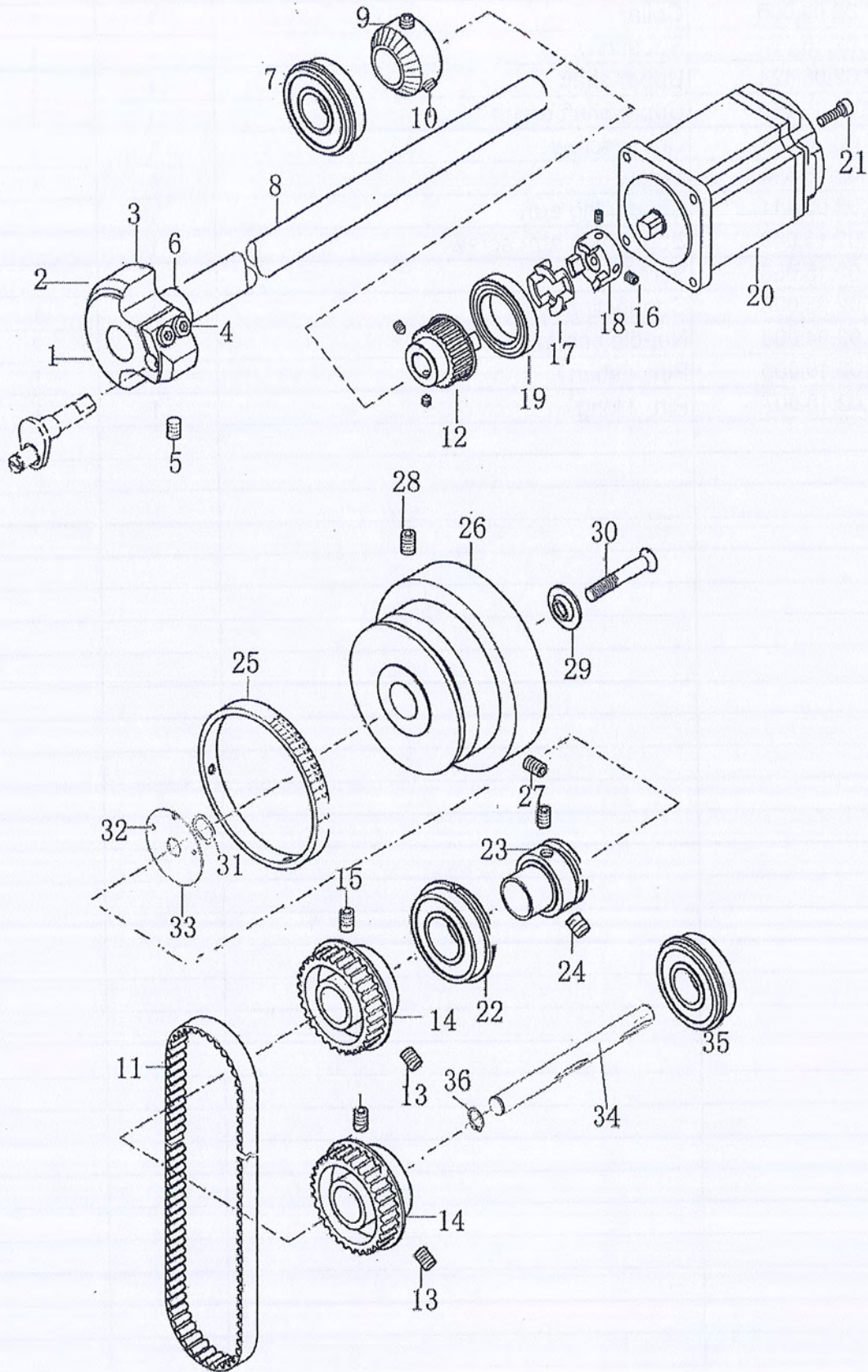
D.Thread tension regulator parts

No.	Part No.	Name	1 Needle	2 Needle
1	7.02.01.280	Thread tension regulator assy.	1	
1-1		Nut	1	
2	7.02.01.282	Thread tension regulator assy.		1
2-1.		E type ring		1
2-2.		Thread tension plate(Small)	1	2
2-3.		Spring	1	2
2-4.		Screw	1	2
2-5.		Nut	1	1
2-6.		Screw	1	1
2-7.		Thread guide plate	1	2
2-8.		Screw	1	1
2-9.		Thread tension disk	2	4
2-10.		Tension disk	1	2
2-11.		Washer	1	2
2-12.		Washer	1	1
2-13.		Screw	1	1
2-14.		Adjusting spring	1	2
2-15.		Nut	1	2
2-16.		Position shaft		1
2-17.		Bushing collar		1
2-18.		Screw		1
2-19.		Screw		1
2-20.		Washer		1
2-21.		Spring adjuster		1
2-22.		Thread take-up spring		1
2-23.		Fixed plate		1
2-24.		Spring disk	1	2
2-25.		Washer	1	1
2-26.		Ring	1	1
2-27.		Thread take-up spring	1	1
2-28.		Thread tension stud	1	
2-28-1		Thread tension stud		1
2-29	7.02.15.960	Screw	1	1
2-30		Thread tension releasing plate	1	1
2-31		E type ring	2	2
2-32		Thread releasing pin	1	1
2-33		Thread releasing pin	1	1
2-34		Fixed pin	2	2
2-35		Thread releasing pin	1	2
2-36		Thread releasing pin	1	1
2-37	7.02.15.049	Screw	1	1
3	7.02.14.110	Lower thread guide claw	1	1
4	7.02.15.965	Lower thread guide claw screw	1	1
5	7.02.14.111	Thread stand	1	1
6	7.02.15.973	Thread stand screw	1	1

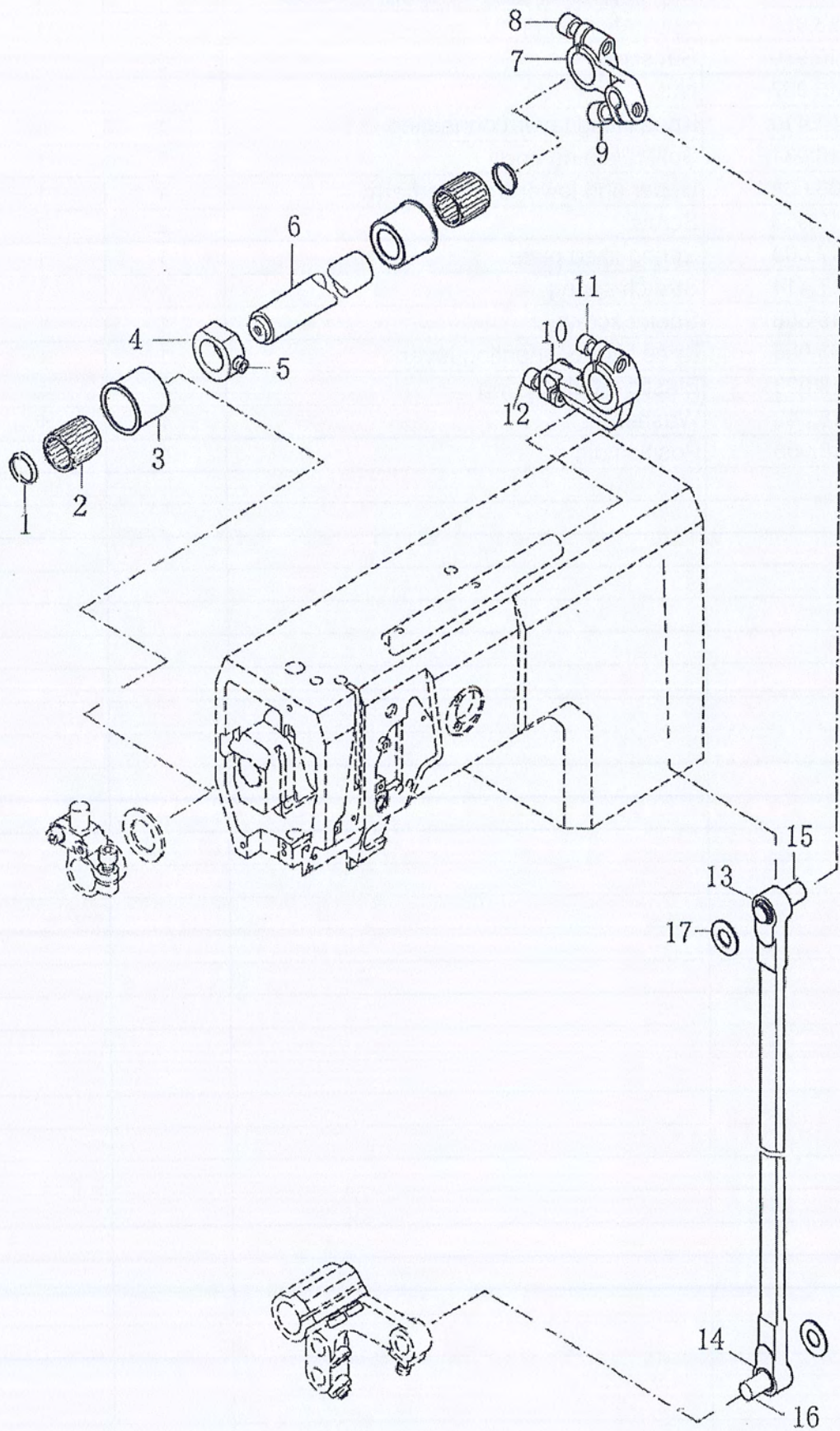
D.Thread tension regulator parts



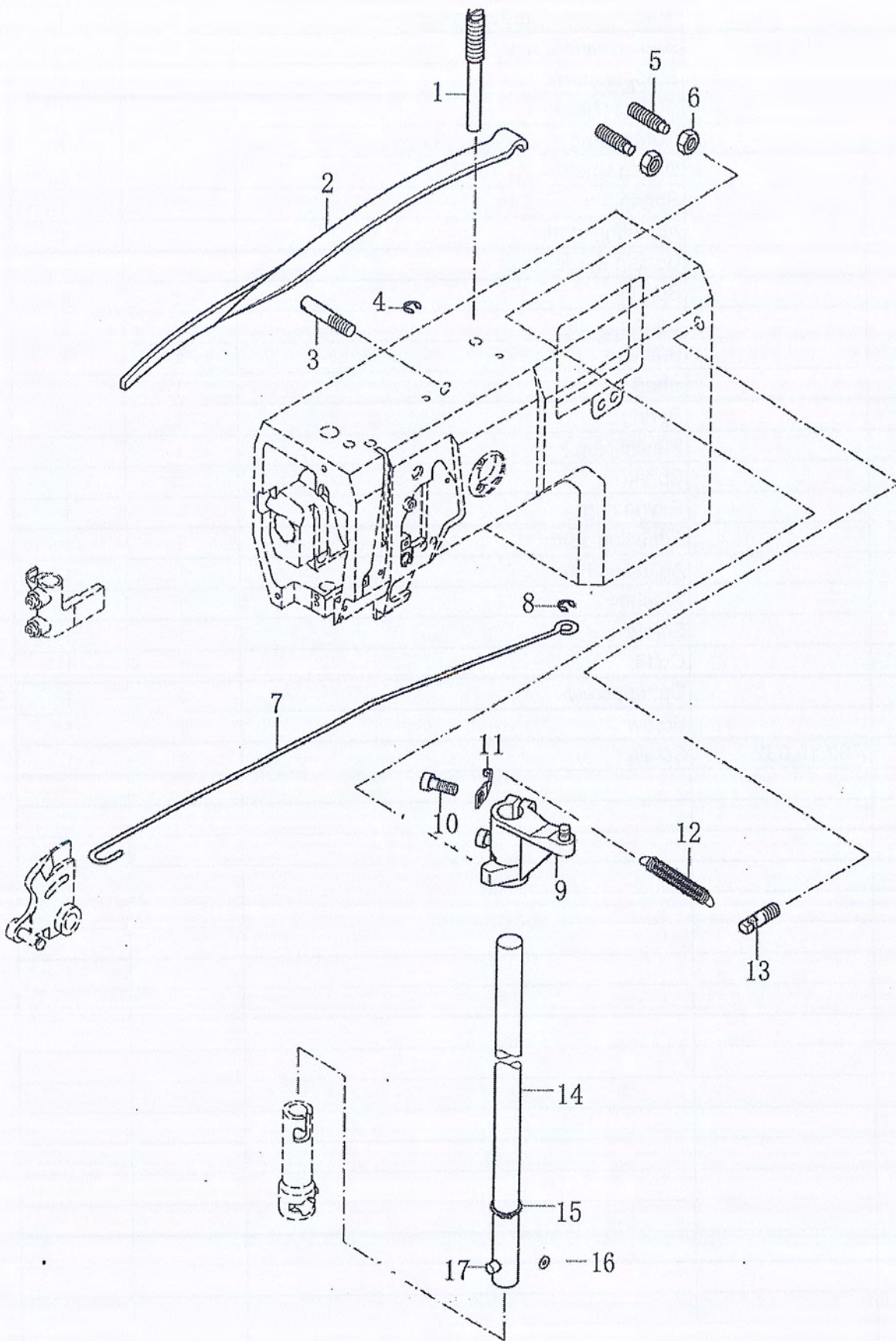
E. Main shaft driving parts



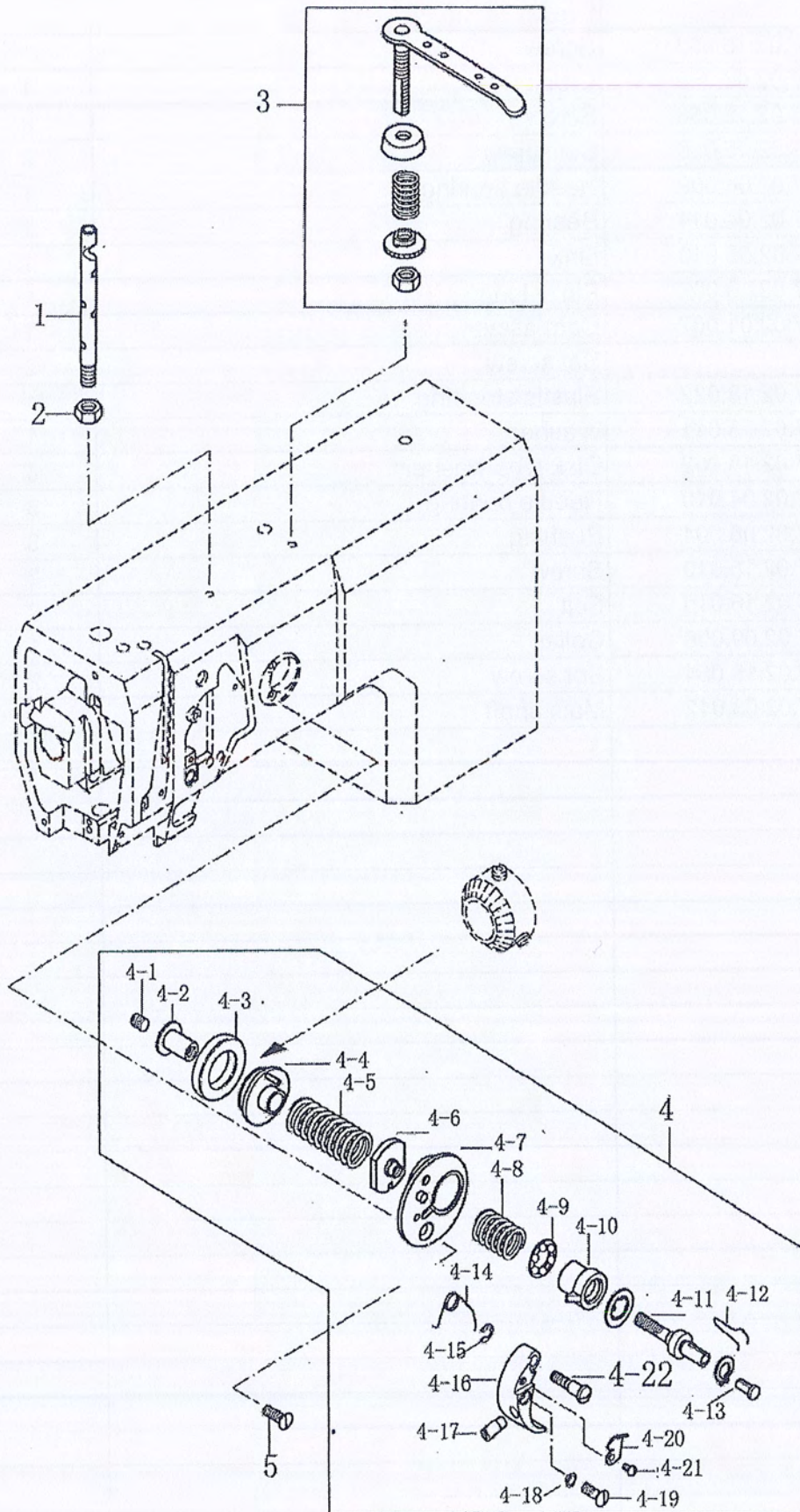
F. Upper side shaft feed parts



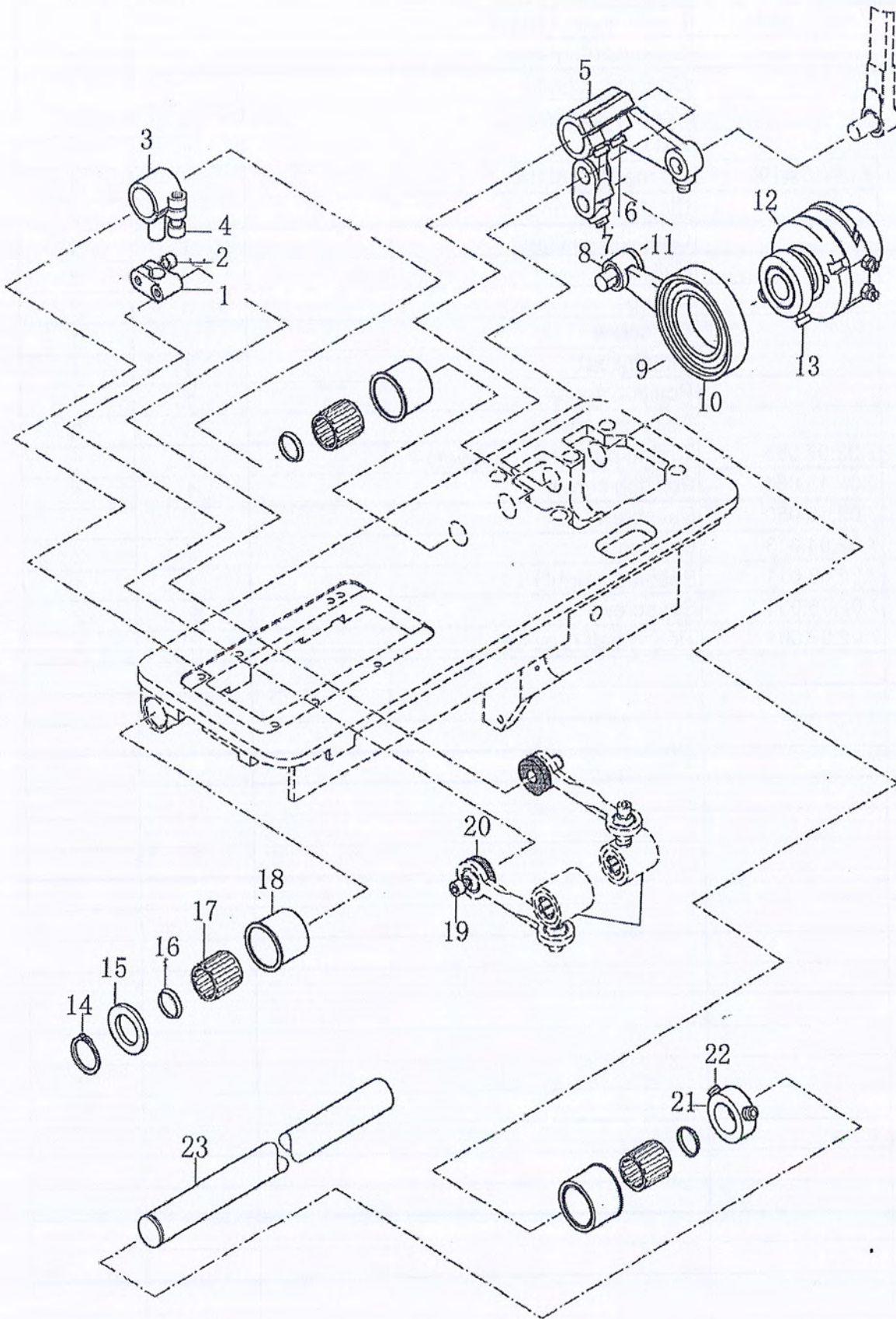
G. Presser foot lifting parts



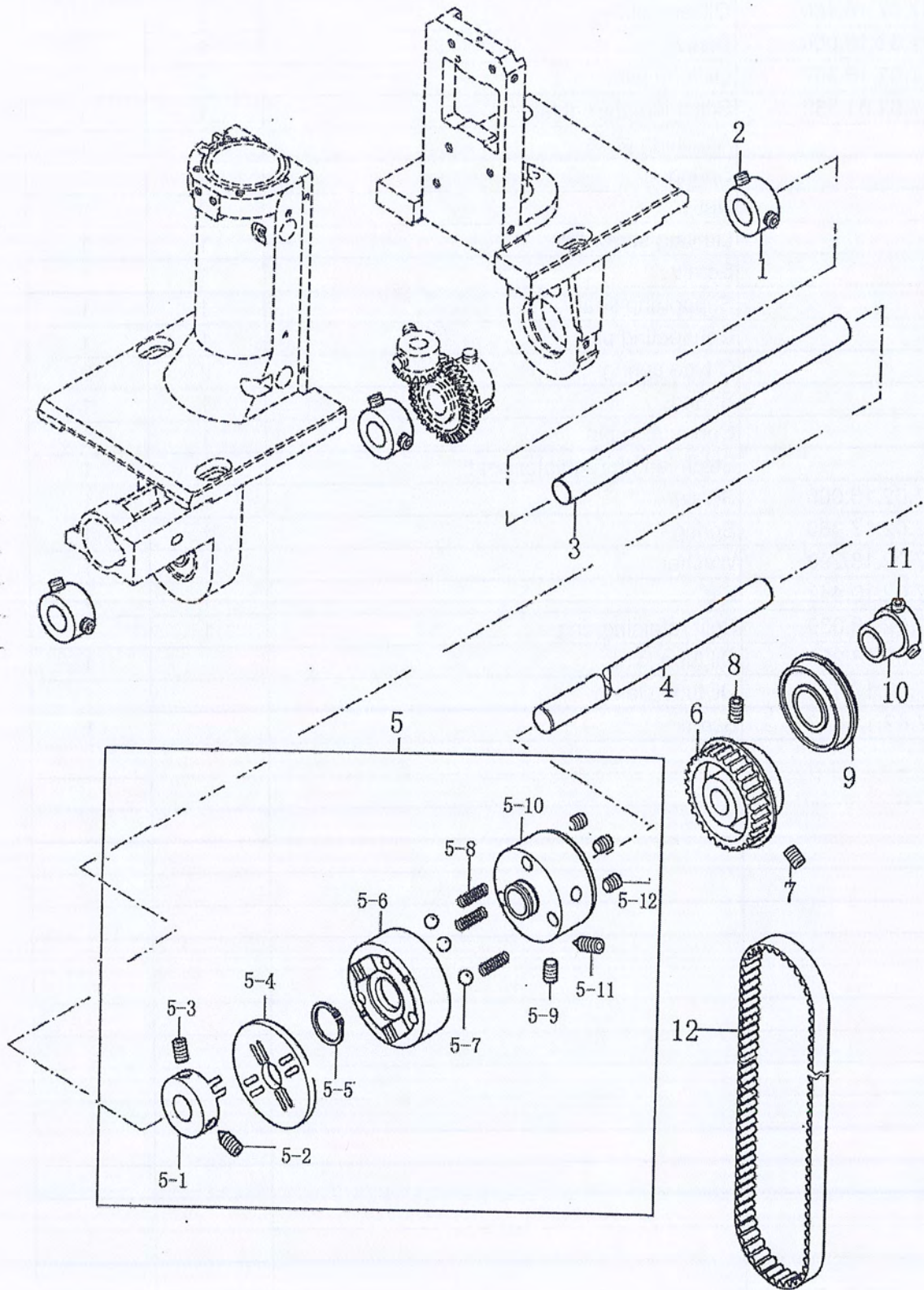
H. Bobbin winder parts



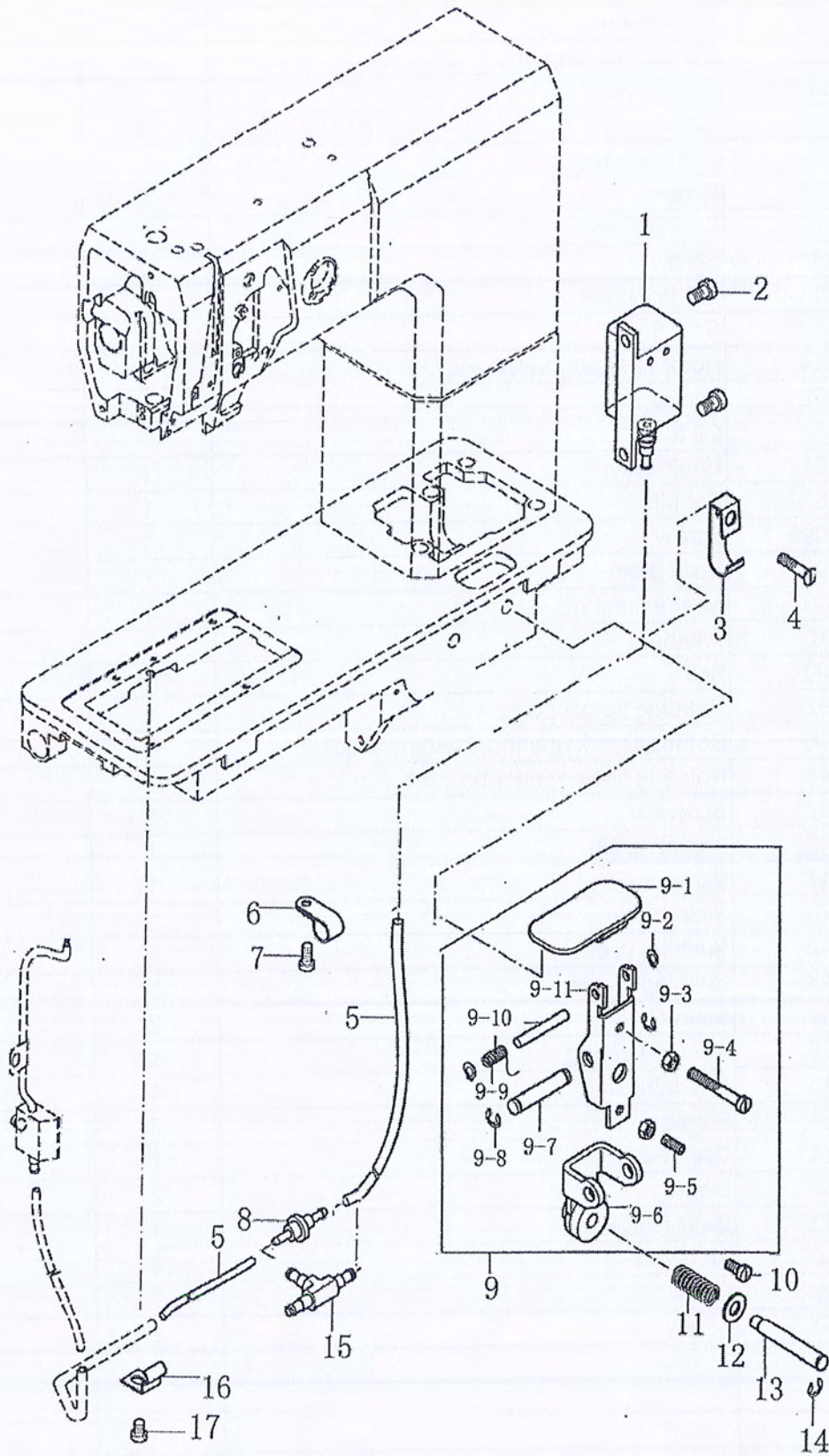
I. Stitch length adjustment parts



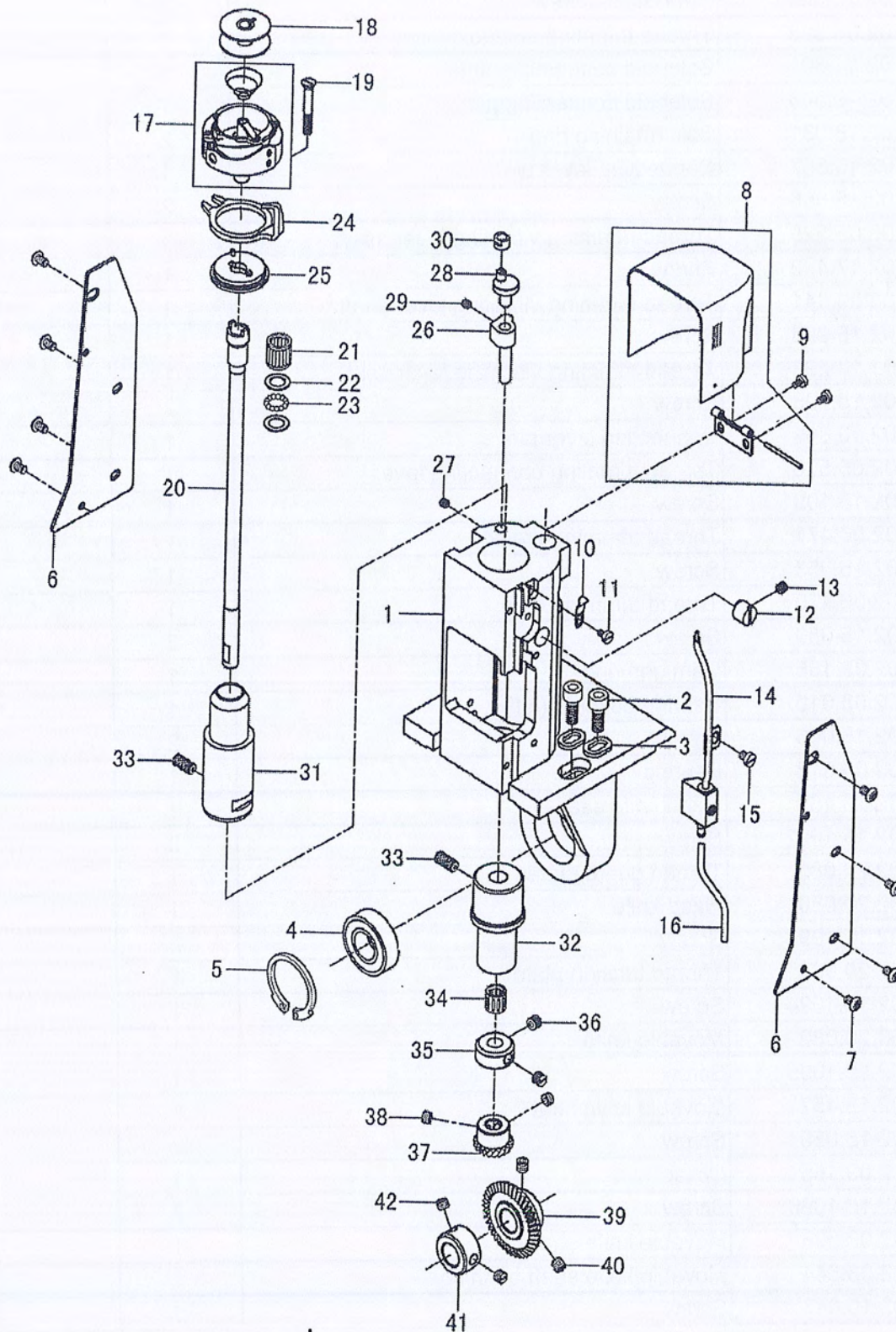
J. Clutch set parts



K. Oil lubrication parts



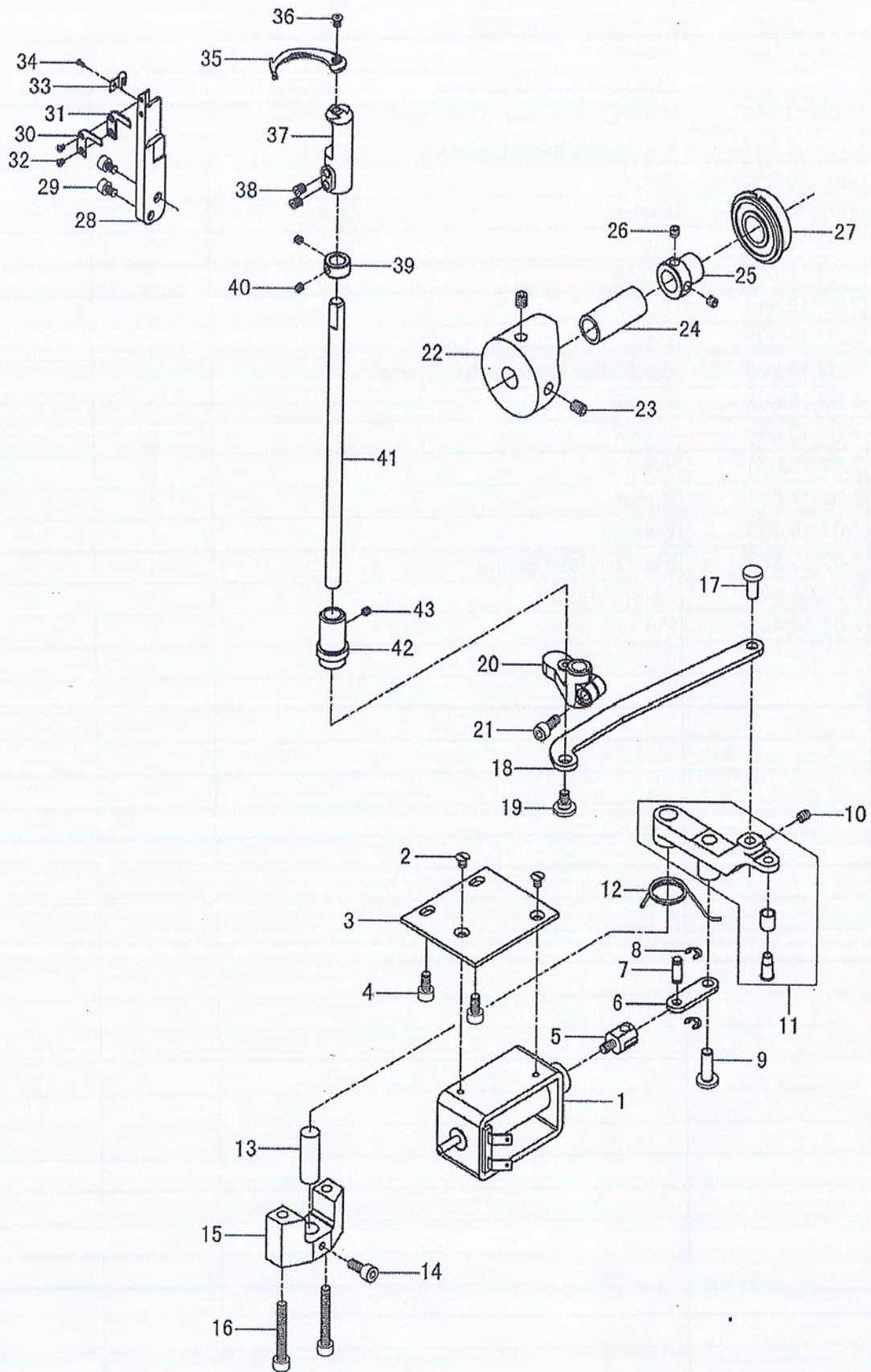
L.Right side bracket parts



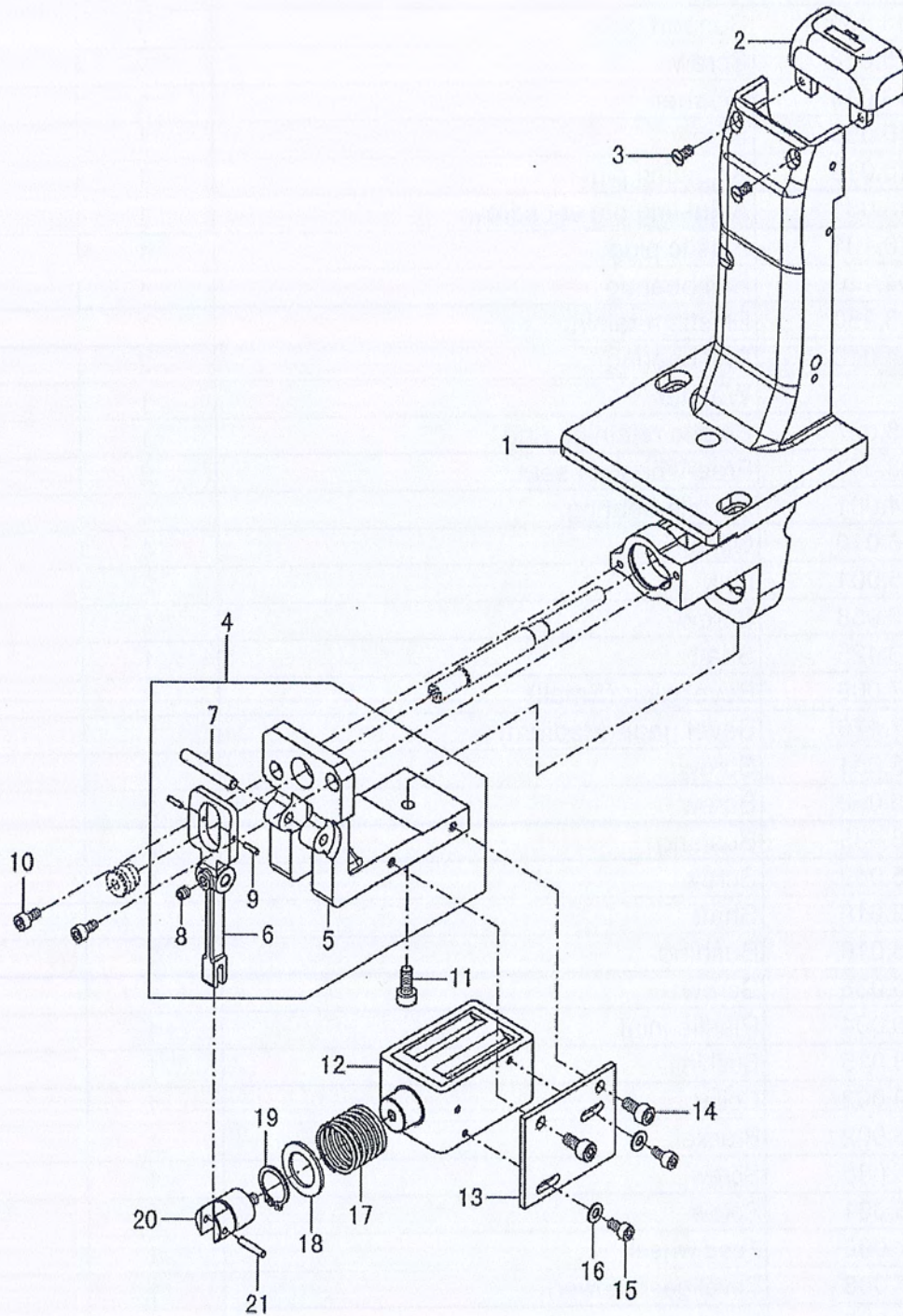
M.Thread trimming parts

No.	Part No.	Name	1 Needle	2 Needle
1	7.02.19.391	Thread trimming solenoid	1	
2	7.02.15.797	Screw	2	
3	7.02.11.387	Fixed plate	1	
4	7.02.15.803	Fixed plate screw	2	
5	7.02.05.528	Thread trimming solenoid joint	1	
6	7.02.11.601	Solenoid connecting plate	1	
7	7.02.10.546	Solenoid connecting pin	1	
8	7.02.18.031	Split retaining ring	2	
9	7.02.10.367	Connecting lever pin	1	
10	7.02.15.056	Screw	2	
11	7.02.05.525	Thread trimming vibrating lever assy.	1	
12	7.02.17.490	Spring	1	
13	7.02.03.341	Thread trimming vibrating lever shaft	1	
14	7.02.15.908	Screw	1	
15	7.02.13.293	Thread trimming vibrating lever seat	1	
16	7.02.15.798	Screw	2	
17	7.02.10.369	Connecting lever pin	1	
18	7.02.05.526	Thread trimming connecting lever	1	
19	7.02.15.1091	Screw	1	
20	7.02.06.471	Thread trimming crank	1	
21	7.02.15.053	Screw	1	
22	7.02.06.470	Thread trimming cam	1	
23	7.02.15.050	Screw	2	
24	7.02.09.165	Cam gap ring	1	
25	7.02.08.010	Bearing bushing (left)	1	
26	7.02.15.056	Screw	2	
27	7.02.04.012	Bearing	1	
28	7.02.13.451	Fixed knife seat	1	
29	7.02.15.1092	Screw	2	
30	7.02.20.083	Thread guard plate	1	
31	7.02.20.080	Fixed knife	1	
32	7.02.15.1093	Screw	2	
33	7.02.20.081	Thread tension plate	1	
34	7.02.15.1094	Screw	1	
35	7.02.20.082	Movable knife	1	
36	7.02.15.1095	Screw	1	
37	7.02.13.452	Movable knife seat	1	
38	7.02.15.056	Screw	2	
39	7.02.09.166	Collar	1	
40	7.02.15.1096	Screw	2	
41	7.02.03.506	Movable knife shaft	1	
42	7.02.08.544	Movable knife shaft bushing	1	
43	7.02.15.047	Screw	1	

M.Thread trimming parts



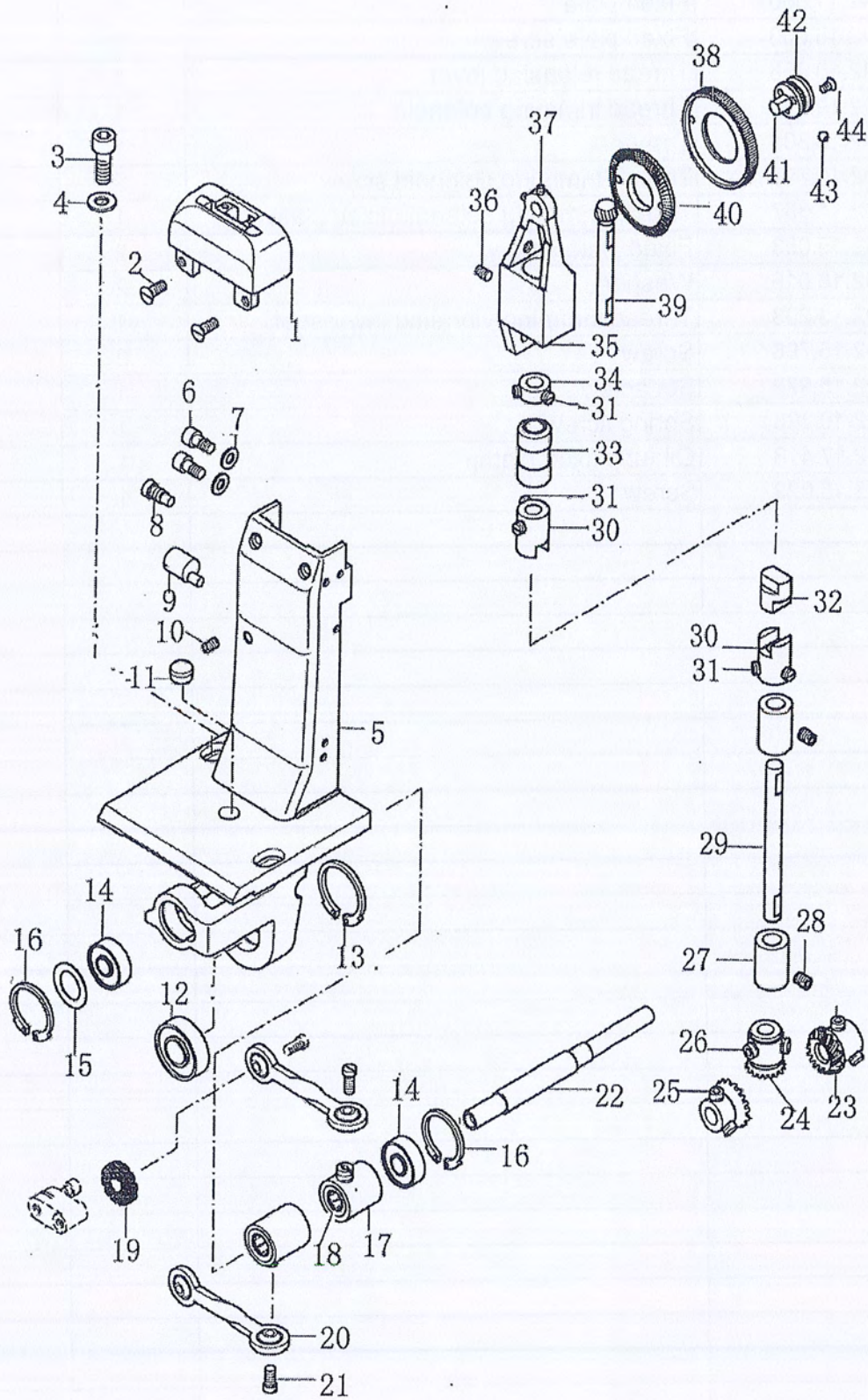
N.Single needle bed plate backstitch parts



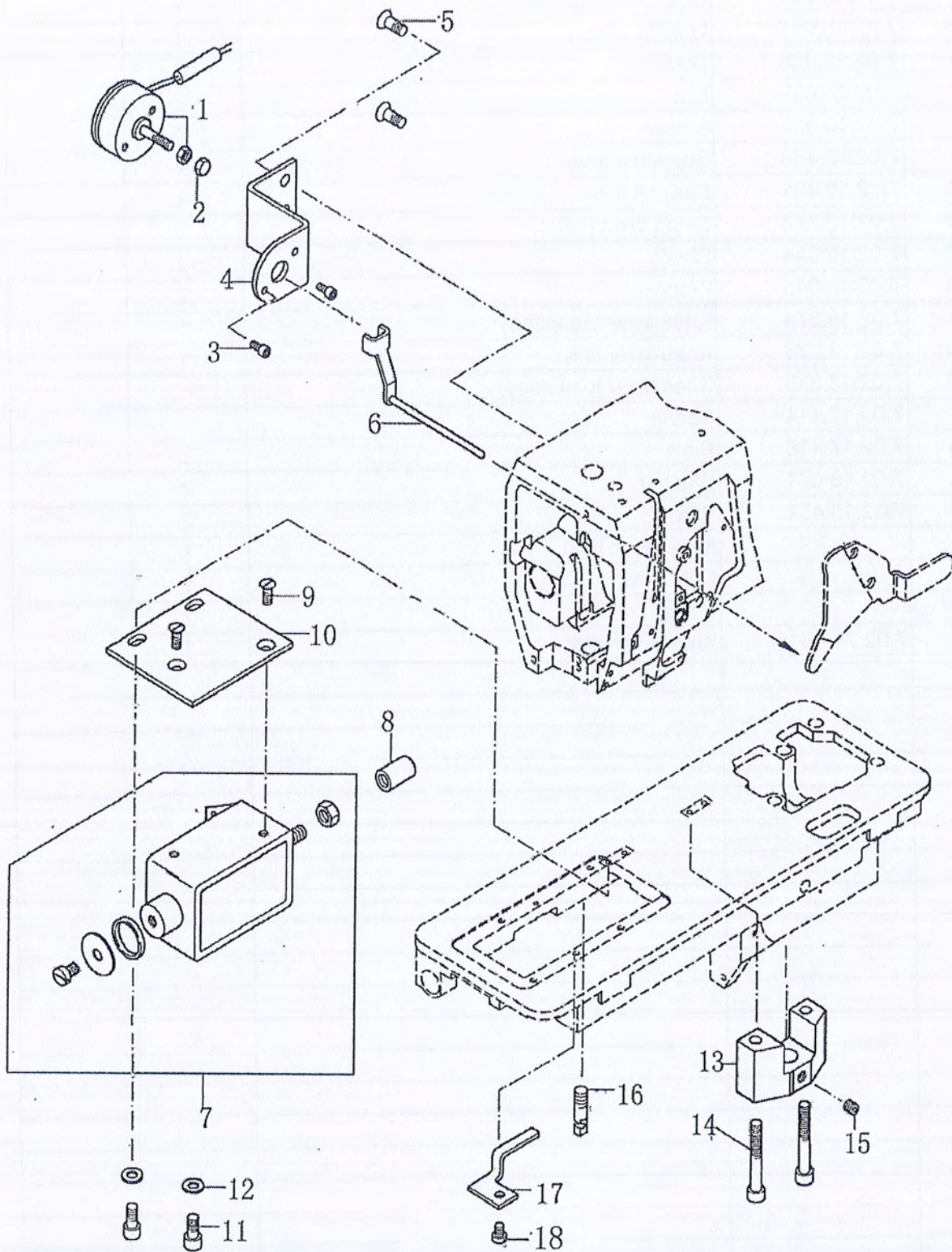
O. Bed plate feed parts

No.	Part No.	Name	1 Needle	2 Needle
1	7.02.02.397	Needle plate (Middle hole)	1	
	7.02.02.398	Needle plate (Small hole)	1	
2	7.02.15.032	Needle plate screw	2	
3	7.02.15.965	Screw	2	
4	7.02.18.003	Washer	2	
5	7.02.13.28901	Support plate	1	
6	7.02.15.053	Screw	2	
7	7.02.18.016	Washer	2	
8	7.02.15.030	Screw	1	
9	7.02.10.010	Adjusting pin	1	
10	7.02.15.031	Adjusting pin set screw	1	
11	7.02.16.101	Plastic plug	1	
12	7.02.04.110	Ball bearing	1	
13	7.02.18.250	Elastic retaining ring	1	
14	7.02.04.016	Ball bearing	2	
15		Washer	1	
16	7.02.18.027	Elastic retaining ring	1	
17	7.02.08.017	Free-wheeling seat	2	
18	7.02.04.001	Needle bearing	2	
19	7.02.16.010	Oil felt	4	
20	7.02.05.001	Link	2	
21	7.02.15.958	Screw	4	
22	7.02.03.425	Shaft	1	
23	7.02.07.009	Bevel gear (Small)	2	
24	7.02.07.170	Bevel gear (Medium)	1	
25	7.02.15.054	Screw	4	
26	7.02.15.050	Screw	2	
27	7.02.08.035	Bushing	2	
28	7.02.15.049	Screw	2	
29	7.02.03.019	Shaft	1	
30	7.02.08.016	Bushing	2	
31	7.02.15.036	Screw	6	
32	7.02.16.004	Plastic joint	1	
33	7.02.08.015	Bushing	1	
34	7.02.09.002	Collar	1	
35	7.02.13.002	Bracket	1	
36	7.02.15.035	Screw	1	
37	7.02.15.061	Screw	2	
38	7.02.07.006	Feed wheel	1	
39	7.02.07.008	Bevel gear (Lower)	1	
40	7.02.07.007	Bevel gear (Upper)	1	
41	7.02.10.002	Roller bracket (Upper)	1	
42	7.02.10.004	Roller bracket (Lower)	1	
43	7.02.04.021	Ball (φ2)	24	
44	7.02.15.034	Screw	3	

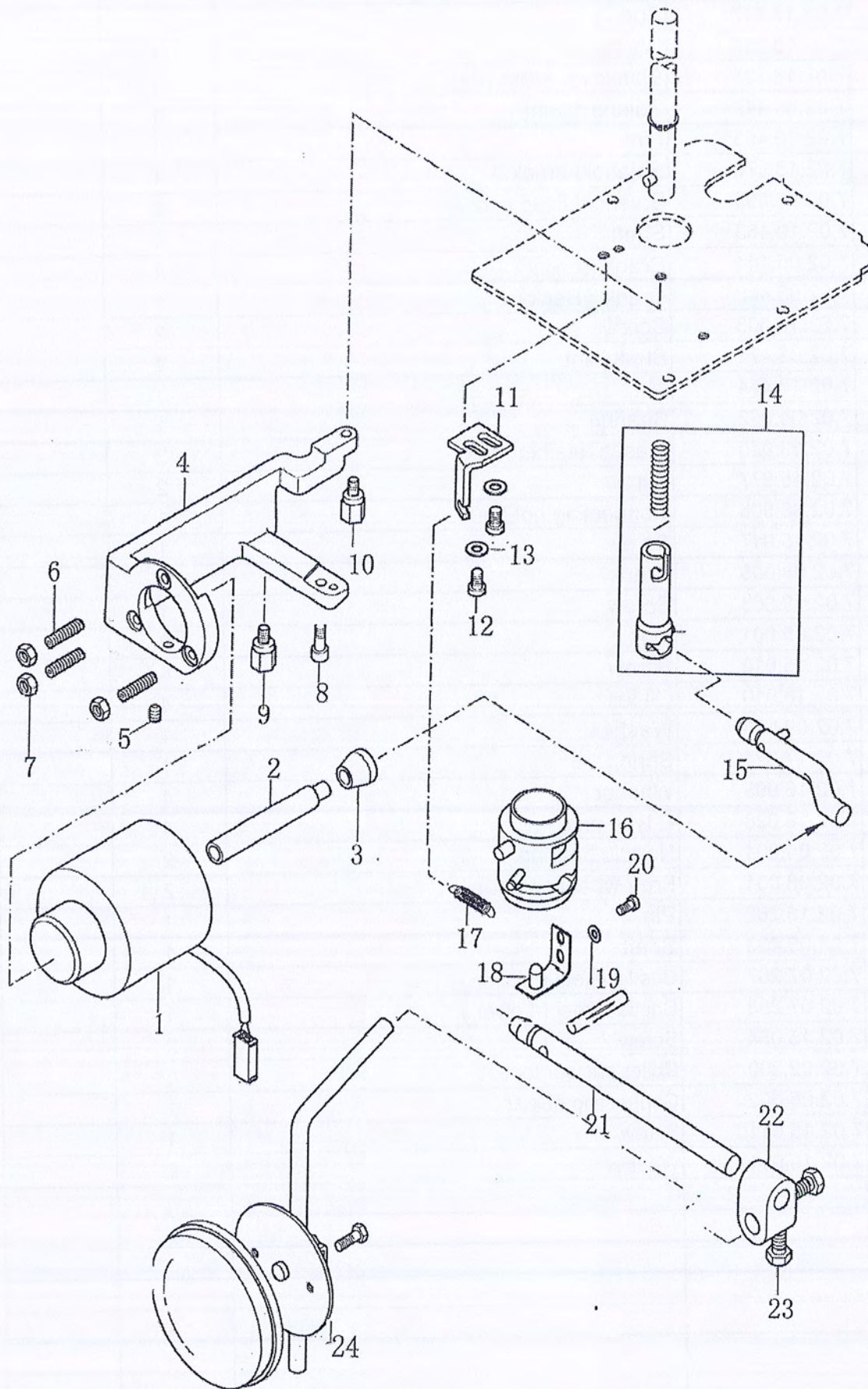
O. Bed plate feed parts



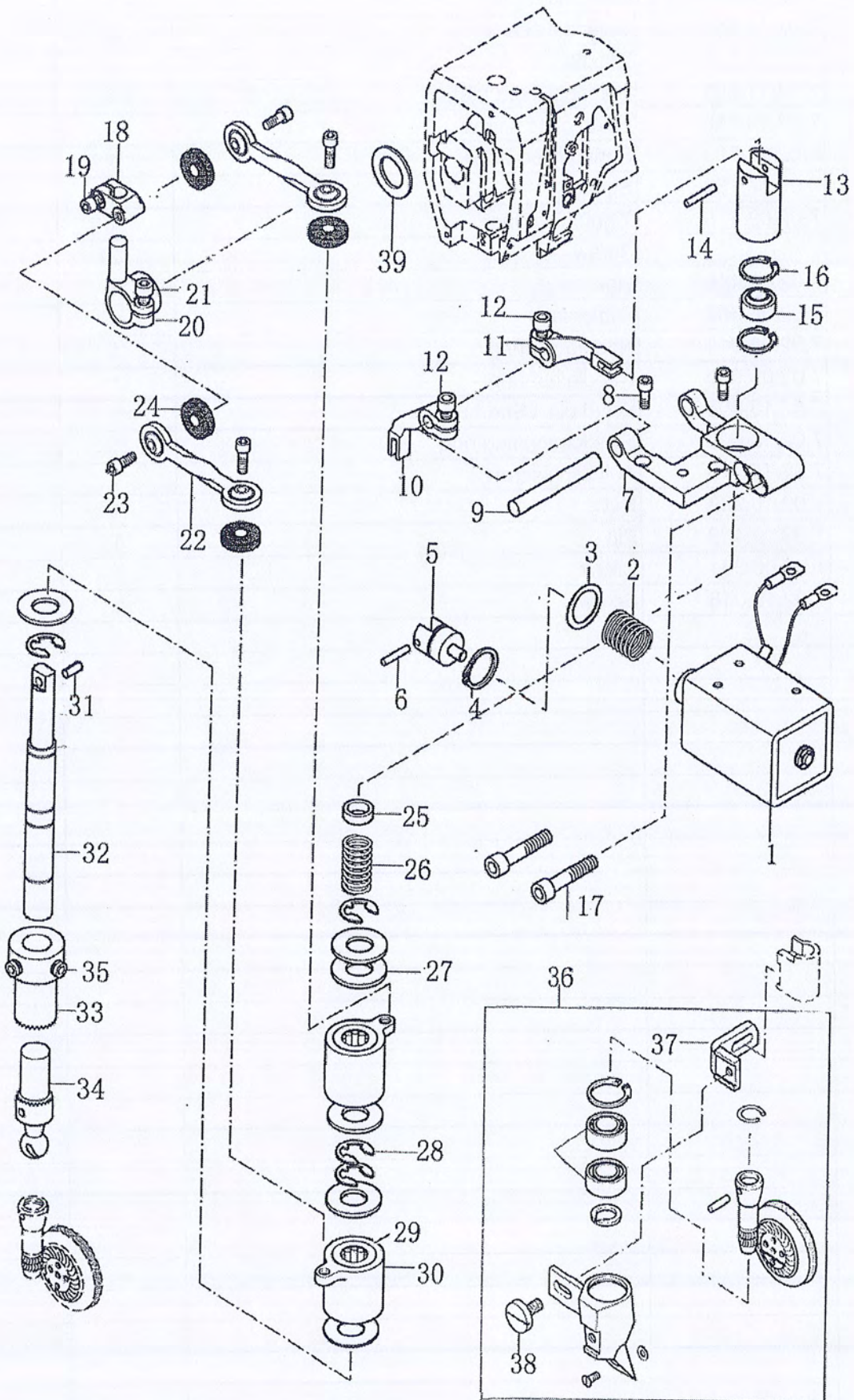
P. Solenoid for thread trimming parts



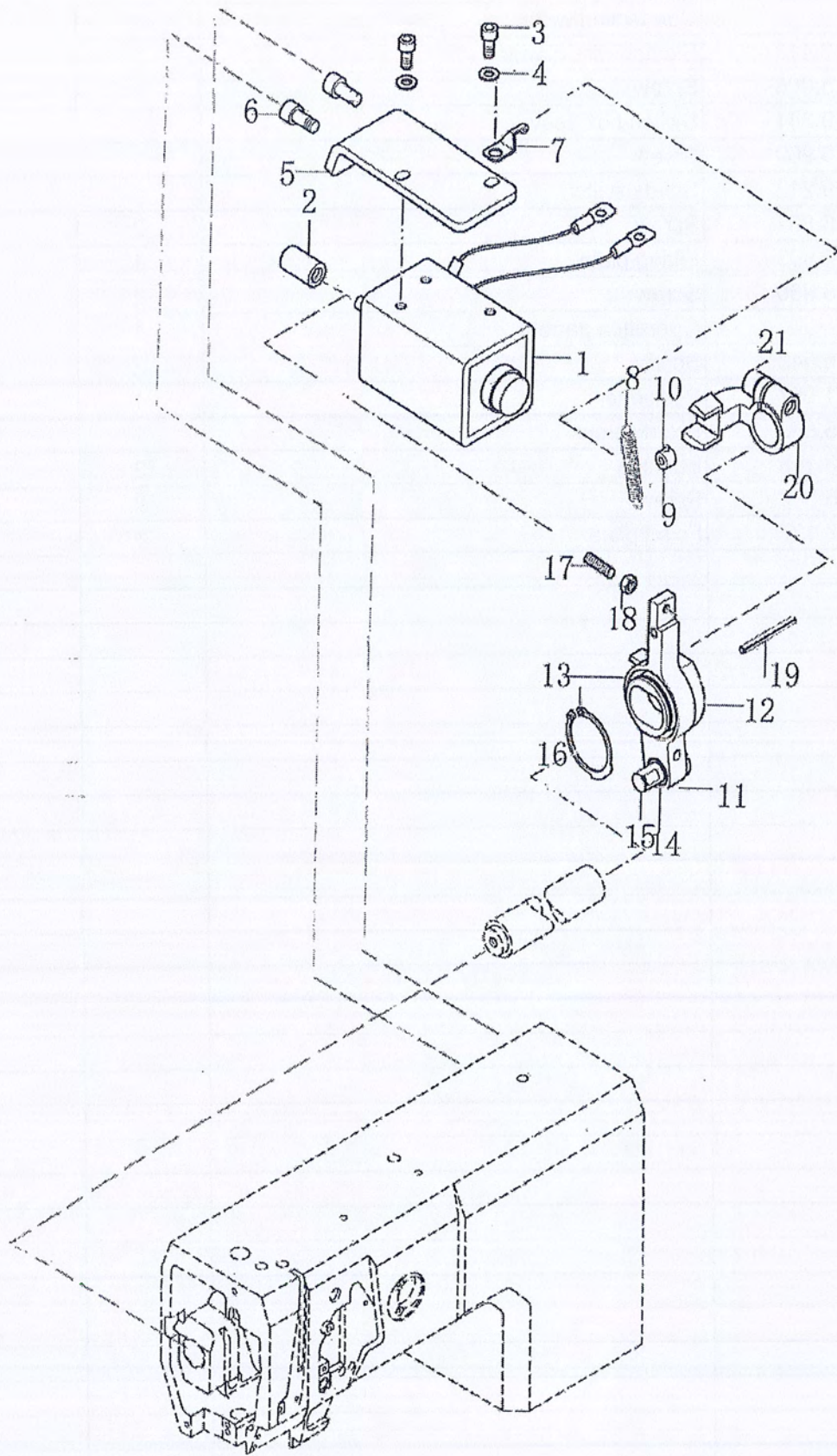
Q. Solenoid for presser foot lifting parts



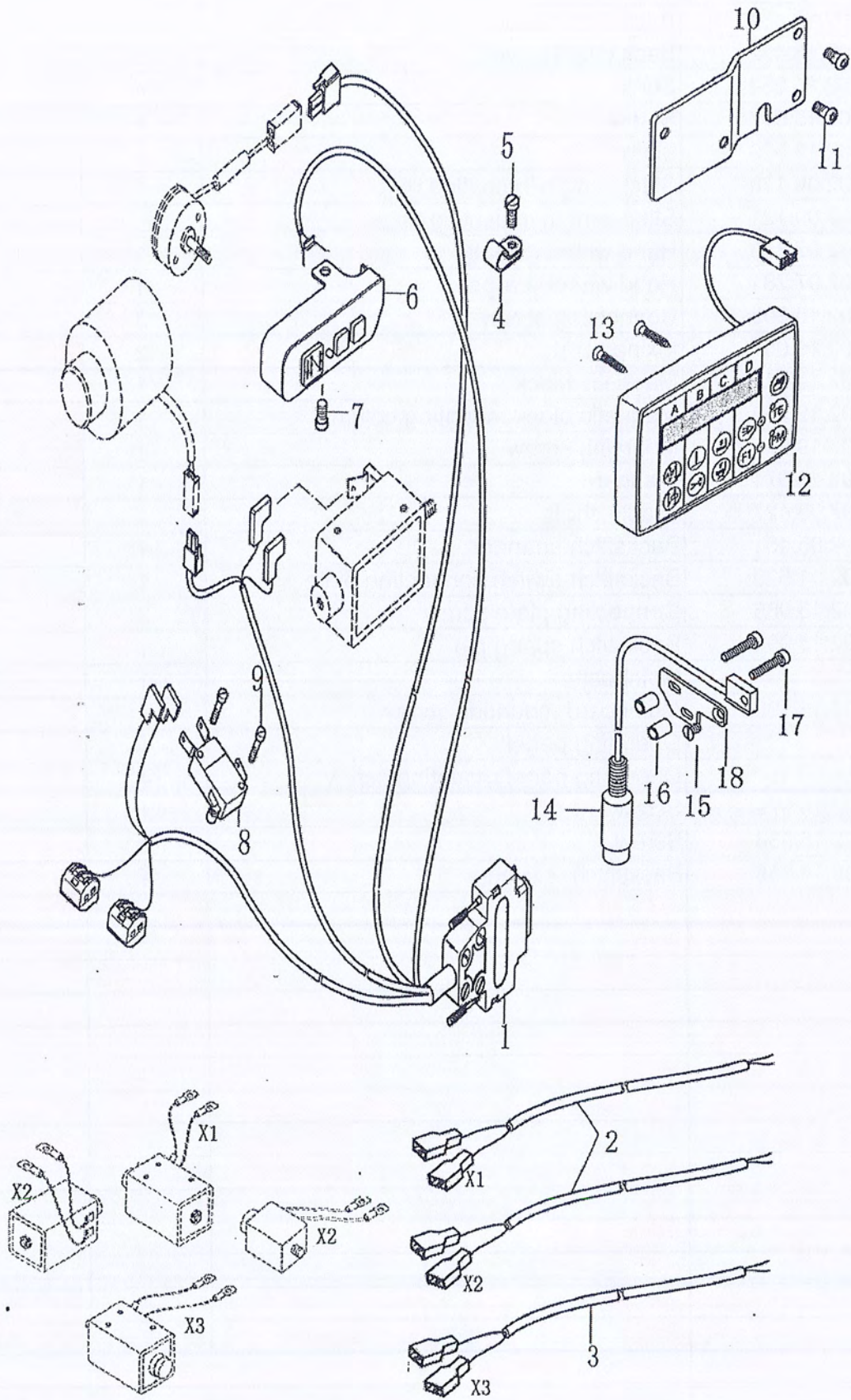
R. Upper feed and backstitch parts



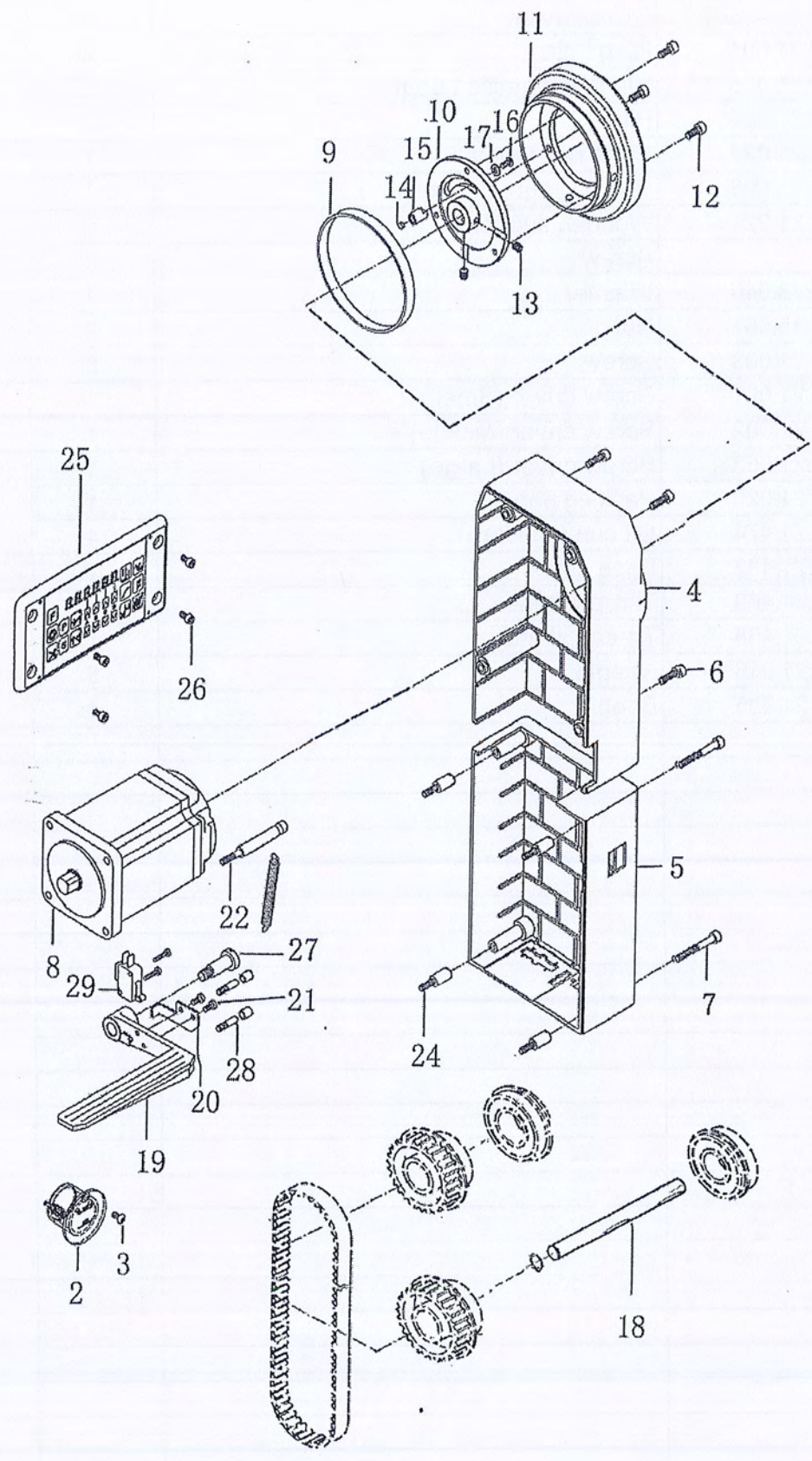
S.Lower feed and backstitch parts for single needle



T. Power cable connection



U. Parts of integrated machine



V. Accessories

