

# **GLOBAL**

## **HP 9450 press**

**Instruction manual  
& spare parts list**

# INSTRUCTION MANUAL



使用说明书

Thank you very much for having brought our products.

Don't fail to fulfill the matters that demand special attention to be mentioned below so that you could put this machine to use for a long time with safety.

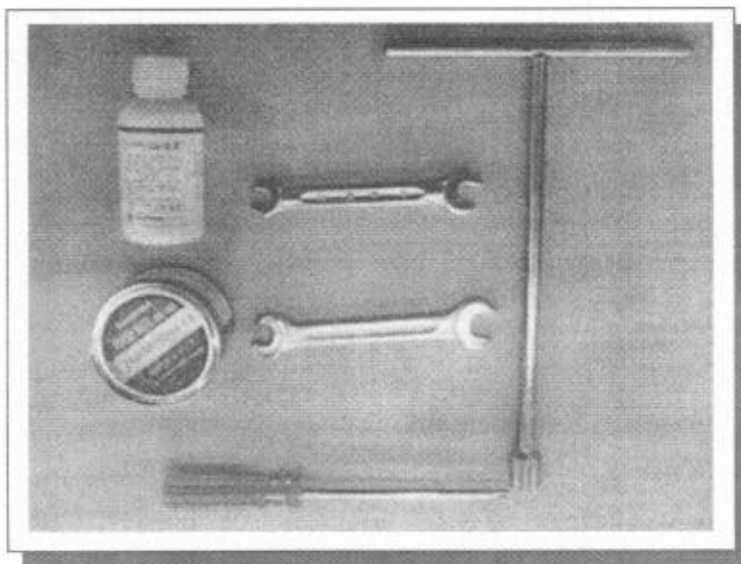
Don't fail to read the user's manual first of all when you've come to hand the machine.

Ensure the machine type you've brought prior to use, as this user's manual is the one for the 450M/MS.

Ensure ration table of the main unit of the machine as well as style and design of the manipulation panel or those of the unit, referring to the illustrations on the user's manual or the catalogue.

Don't use the machine and bring into contact with the store you had bought it as early as possible when you've found your machine to be different from the very one you had ordered and so forth. Keep this user's manual with care and read it as occasion demands.

Ensure the accessories things.






**ATTENTIONS TO BE PAID FOR SAFETY**


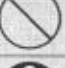

**DON'T FAIL TO FULFILL**

You should fulfill following explanations for the prevention of the user and the others from being hurt and the proprieties from being damaged.


○ We divide and explain you the degrees of peril and damage to be taken place when you'll neglect the contents of the display and use the machine erroneously.


 <b>DANGER</b>	This display tells you contents that imagine "the imminence of the danger that might result in death or a serious injury".
 <b>WARNING</b>	The display tells you contents that imagine "the possibility of death or a serious injury".
 <b>CAUTION</b>	This display tells you the contents that imagine "the possibility of resulting in be to handicapped or material damages exclusively".

○ We divide and explain you the contents you should fulfill in accordance with the following illustration (Following is an example of the illustrations).

	This illustration tells you the contents "that demand attention" you must pay.
	This illustration tells you the contents of "prohibition" you should not do at all.
	This illustration tells you the contents of "enforcement" you should executive without fail.


 **DANGER**

 **Don't get the children to use where the infants can make contact with**  
For fear of burn, electric shock and injury.

 **Never reform at all**  
For fear of fire and injury due to unusual movement.  
**Disassembly prohibited**

 **WARNING**

 **Don't disassemble and repair absolutely except the repair technician**  
For fear off fire and injury due to unusual movement.  
**Disassembly prohibited**  
(Contact to the dealer for repair in the case of damage and troubles.)

 **Connect with the power source with ratio consumption suitable to the machine and don't fail to ground**  
Unusual heat might in fire or electric leak when you put the machine to use along with other apparatus.  
(Contact to the electric construction work shops nearest by.)

 **Disconnect the power source (the plug and installed breaker)out of the origin**  
For fear of burn as well as electric shock and leak in fire.

**WARNING**

Please maintain the machine after cutting the power supply breaker, and falling the temperature of the machine

It causes the burn and the injury.



Please don't touch the machine and belt by your hand

It causes the burn and the injury.

Be careful enough when you touch the machine.



Be careful enough when you insert the material

It causes the burn and the injury because apart of clothing or body is sandwiched between machine parts.

Be careful enough when you touch the machine.



Don't mount nor put things on the main unit

For fear of high temperature might result in burn and fire there is a possibility of falling down to be injured.



Install the machine on the robust or onto the floor horizontally

For fear of overturning or falling down resulting in injury.



Don't put things easy to burn around the machine

For fear of causing fire and so on.

**CAUTION**

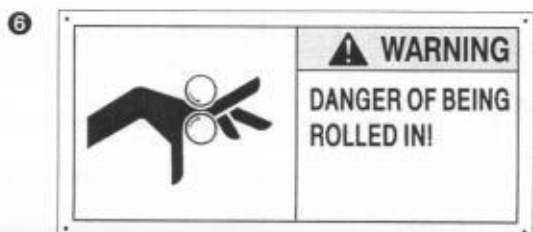
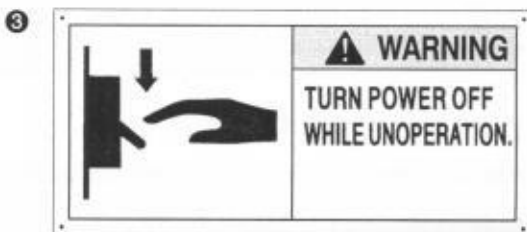
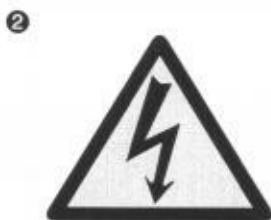
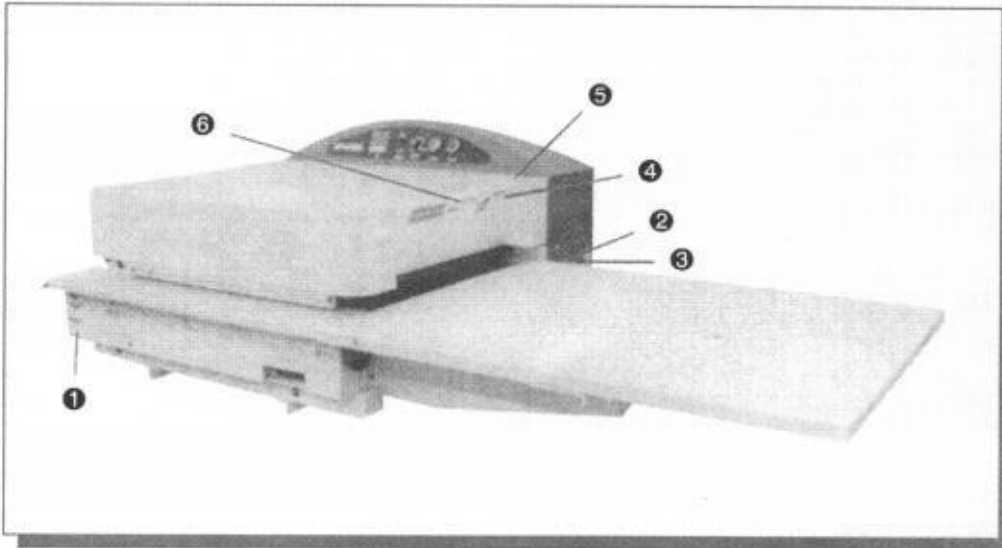
- Don't install the machine to the site high humidity (For fear of causing electric leaks).
- Don't bend nor crush the power source cord (For fear of electric shock and shortage, resulting in fire).
- When a manual handle is used it turns off power without fail. Moreover, a manual handle removes things except use and the hole cover is put without fail (The manual handle rotates and there is rapidly injured fear).
- Don't let the people go near by except operator.

**PETITION**

- There is a thing that the cover becomes very hot depending on the use temperature because this machine is used according to the high temperature. Please note a burn and combustible clothes, etc. enough.
- Please confirm the thing that stops with the timer, and cut the power supply breaker after the end of work.
- Please cut the power supply breaker without fail, and go in the state that the temperature of the machine gets cold then the material that caught under around the strip off device or scraper are removed. Moreover, when you take the finished material out of the exit, pay attention not to be caught in the strip off device.
- Clean the belt with a well dried floor cloth when the operation is over. But, reduce the belt speed with sufficient attentions at the exit side of the finished material of the machine for fear of such accidents as burn and caught in.
- Please check the belt cleaner every day. Moreover, please refuel to each part once a month to prevent the accident occurs. You must keep the electric source off and be cool.
- Please understand enough, and operate working of switches.
- Please open space necessary for maintenance in surroundings of this machine.
- The machine have emergency stop switch when the belt over moves left or right. Please take out the material with the manual handle of the attachment after it turns off power without fail when a material stops in the machine due to the emergency switch works or the power.

By putting "alarm label" onto every part of the machine, we rouse you to prevent the user and others from being hurt and proprieties from being damaged.

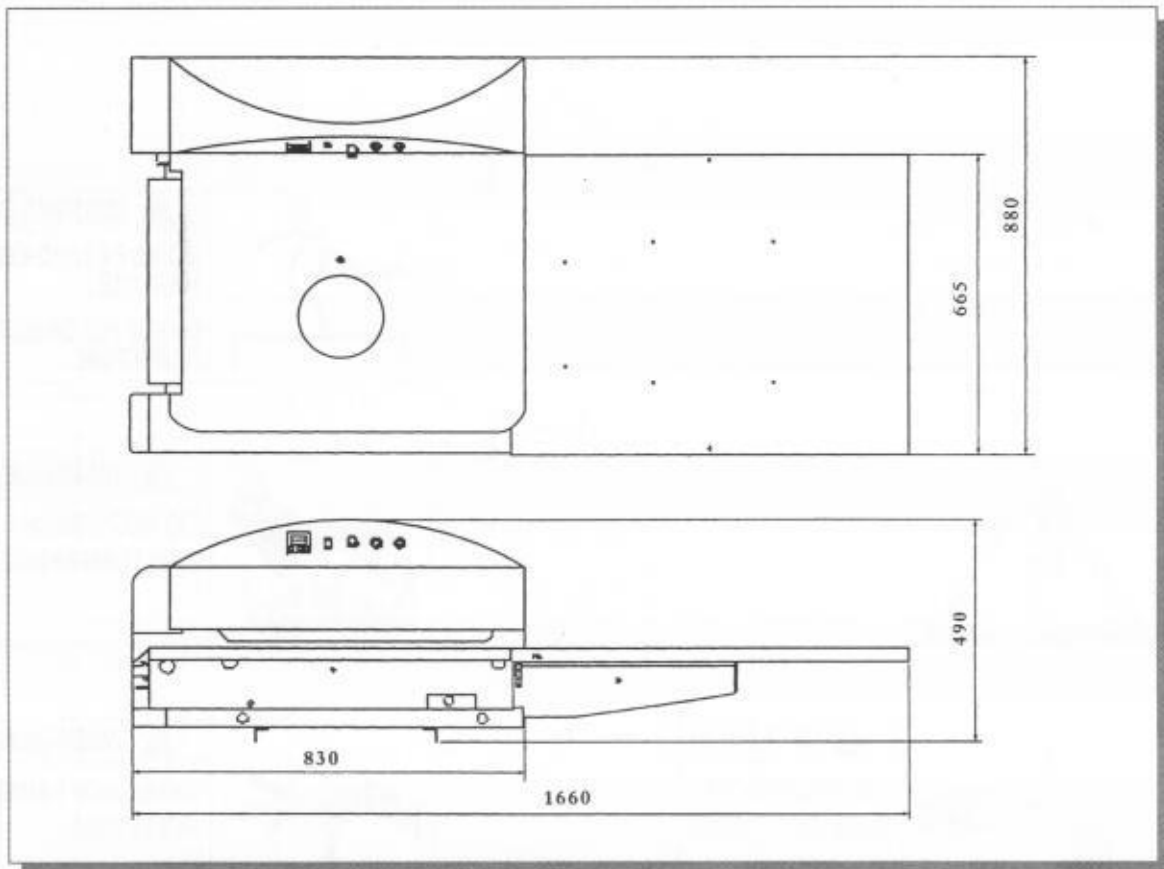
- Ensure the position and contents in regard to the "alarm label" prior to the use.
- Never remove nor reform the "alarm label" .
- Put a new one as early as possible, when the old "alarm label" is hard to read or when it is come off.



**SPECIFICATIONS**

<b>MODEL</b>		<b>450M/MS</b>
<b>POWER SUPPLY</b>		<b>1P-220V</b>
<b>RATED OUTPUT</b>	<b>HEATER</b>	<b>4kw</b>
	<b>MOTOR</b>	<b>45w</b>
<b>TEMPERATURE(MAX)</b>		<b>195℃</b>
<b>PRESSURE(MAX)</b>		<b>1.5kg/cm</b>
<b>BELT SPEED(MAX)</b>		<b>8.7m/min</b>
<b>HEATING TIME</b>		<b>5-20sec</b>
<b>FUSING WIDTH</b>		<b>450mm</b>
<b>DEMENTIONS</b>	<b>W</b>	<b>1660mm</b>
	<b>D</b>	<b>880mm</b>
	<b>H</b>	<b>490mm</b>
<b>WEIGHT</b>		<b>152kg</b>

**DESIGN FEATURES**

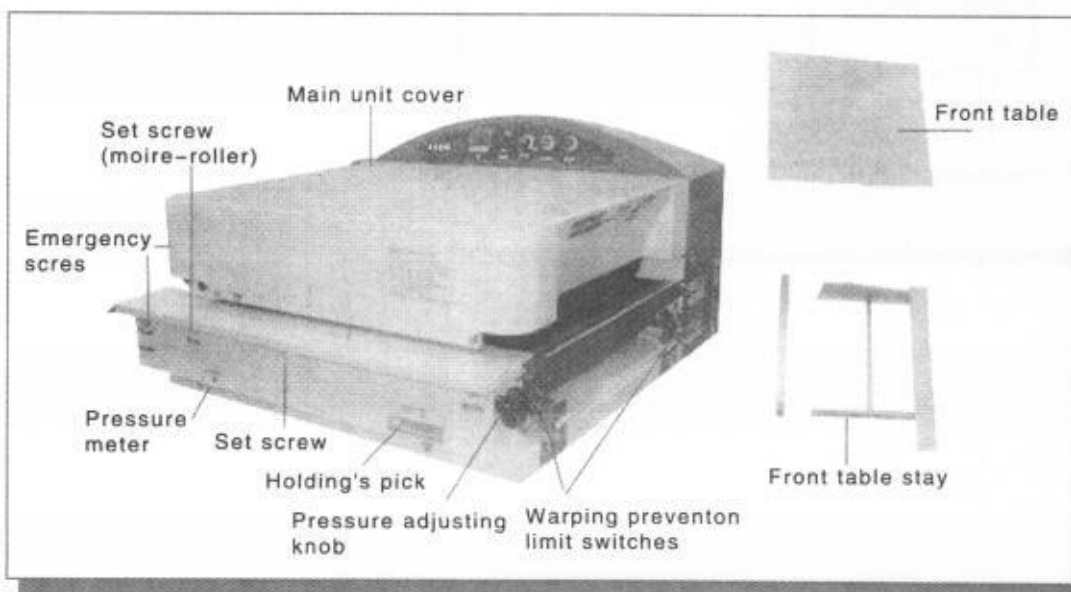


### Attention to be paid at the time of installation

- Install this machine, which weights 152kg, in regard to the 450M/MS respectively, on the robust foundation horizontally.
- Don't install this machine near the object easy to burn, as it generates high temperature when it has been put into use. Exclude, in addition, dusts and others stuck onto this machine periodically.
- Connect the machine to an exclusive power source corresponding with the ratio consumption power by referring to the specifications.
- Don't fail to the ground. By the way, it has no relations to the rotary direction of the belt.
- In the case where you change the power source plug or lengthen construction shop near by.
- When the machine has been brought in or when it has been transferred, don't fail to remove the main unit's cover, before ensuring that the upper and lower belt warping prevention limit switches place correctly the belt between them from both sides (Refer to next page).

### Attention to be paid at the time of using

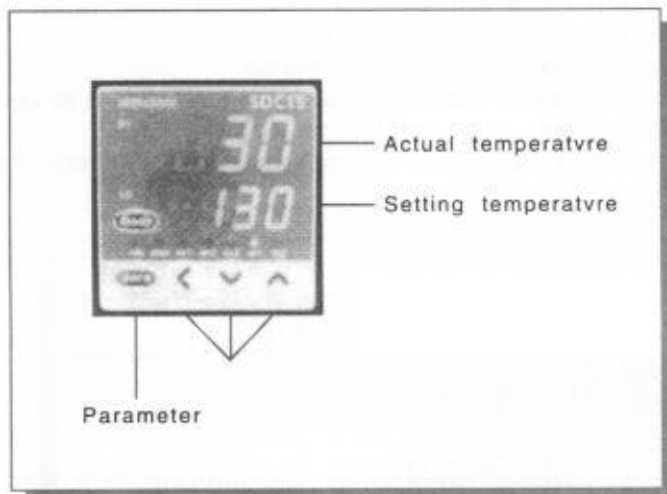
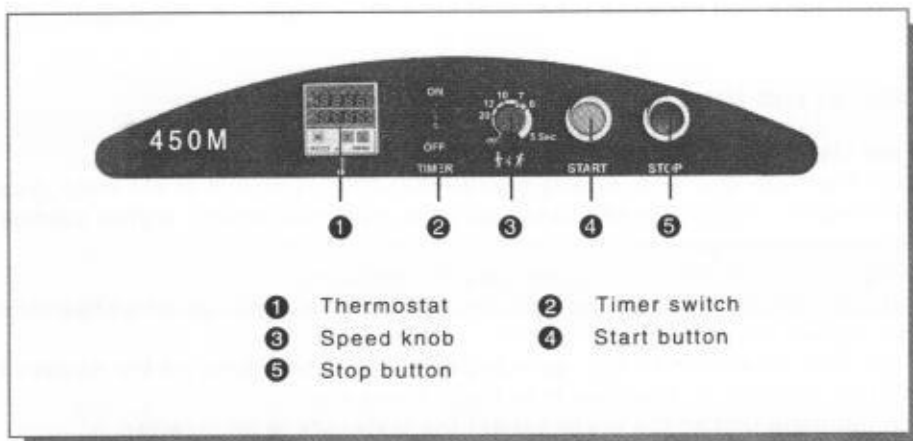
- Don't fail to read the User's Manual prior to the usage.
- Don't fail to remove the main unit's cover and ensure that the upper and lower warp prevention limit switches place correctly the belt between them from both sides, before connecting the power source(Refer to next page).
- Wipe off dusts using a dry floor mat, before inserting the material.
- Pay sufficient attention not to make contact with the belt and the upper cover whose temperature rises high nor mount things on them.
- Don't absolutely put your hands on to the roller inside the machine beyond the necessity at the time you insert the material for fear that they might be caught in.
- Don't any things to the main unit of the press except the materials to be inserted.
- Disconnect the power source breaker immediately and insert the manual handle (an accessory) to the emergency screw, then, turn it to the arrow marked direction in order to remove the unusual things before the operation, if they have been inserted.
- When the material, has twined rounded the strip off device at the exit of the material, don't fail to disconnect the power source breaker, before removing it.
- Don't fail to pull the power source plug off when you inspect the inside.
- This machine is an exclusive use for fusing and folding the clothes. Don't put it to use for other purposes, otherwise resulting in troubles.
- After the operation ensure that the machine has stopped completely, before disconnecting the power source breaker without fail.





**Procedure of usage**

- Set the power source to 'ON'(Ensure the 'off ' condition of the timer switch).
- Press the start button. The lamp will light up and the machine will start moving.
- Set pressure to the designated by using the pressure adjust knob.
- Set the fusing time by using the speed controller. Use it within the limit between 5 and 20 seconds for the warp prevention.
- Set the setting temperature by using the thermostat. It takes about 15 minutes before you'll get the usable thermo-lamp will start blinking.
- Here, you are able to start the operation.

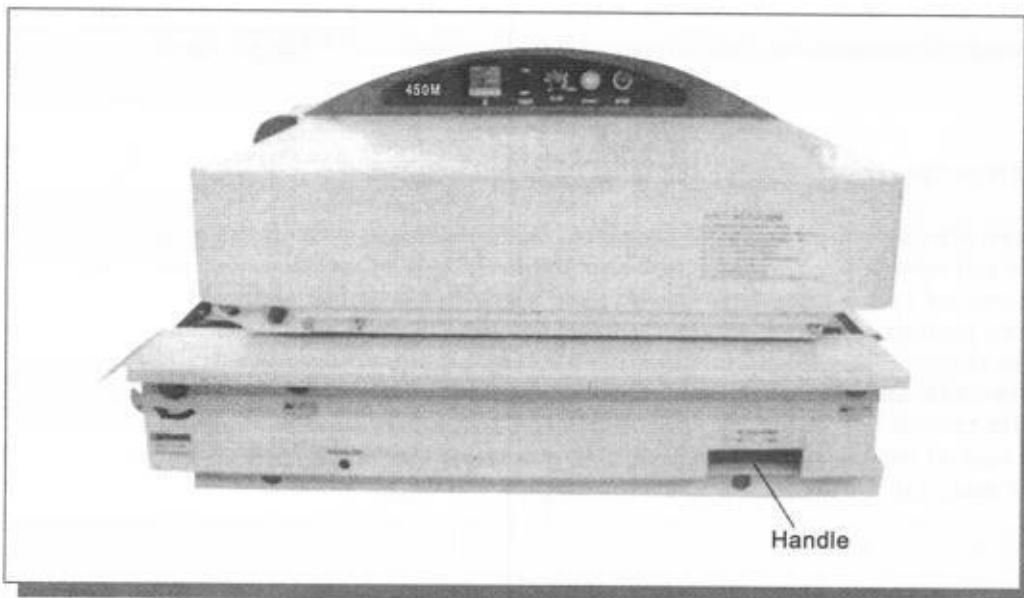


### At the time the operation is over.

- Set the pressure to 0(zero).
- Set the timer switch to 'ON'. The machine stop automatically and the surface temperature of the belt is below 90 degrees.
- When the machine has stopped, set the power source breaker to 'OFF'.

### The holding's adjustment

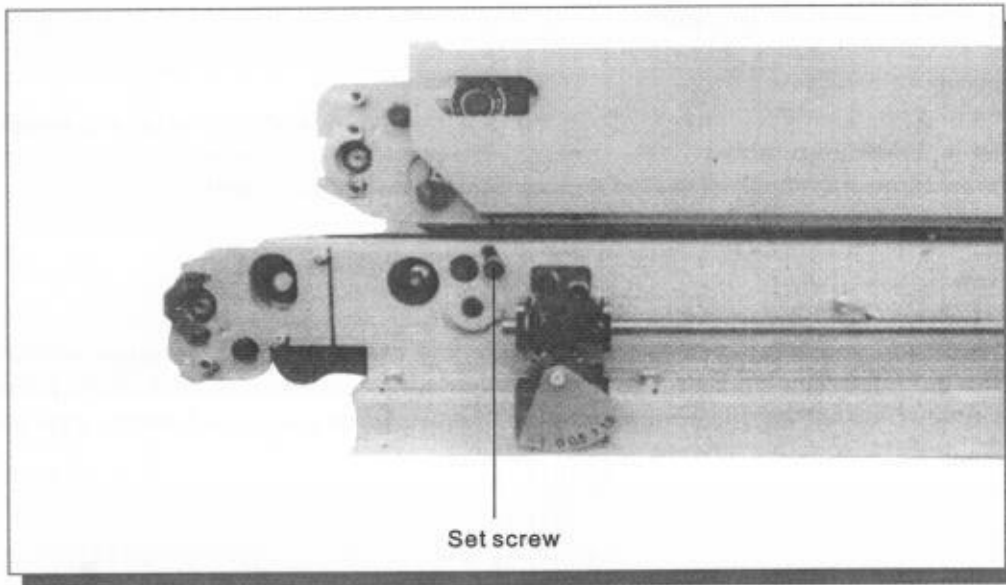
In the case where you want to strengthen the holding at the injecting entrance of the machine when you've put the inside belt scale, pocket folding and others to use, turn the holding's handle to the right. Set the holding's adjustment to 0(zero), when you try to fuse the inter lining.



### How to prevent and adjust roller moir é (puckering)

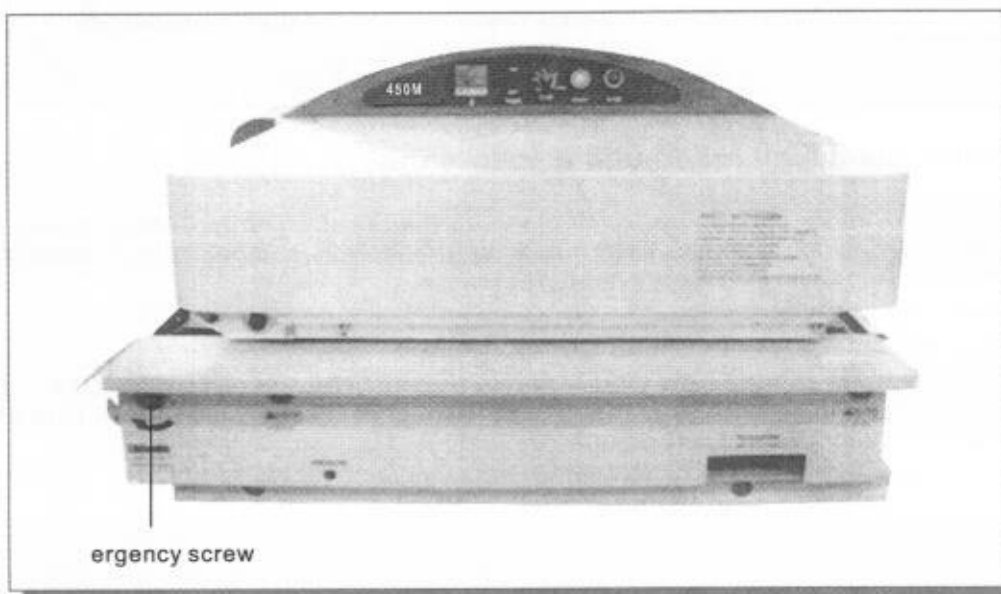
In the case where roller moir é has taken place on the fused material, fuse it by lowering heat and pressure as low as possible. Even when the prevention is impossible in spite of the efforts, adjustments to be shown below will be necessary.

- Remove the main unit's cover.
- Remove the rear cover.
- You'll find a screw for securing the moir é adjust roller on the side of the machine. And you will find an other when you open the rear cover of the machine loosen both of the stop screws and rise right and left equally.
- The moir é is hard to appear when you bring up the roller.
- Tighten both of the stop screws.



### How to move the machine by hand at the emergency

Press the stop switch in order to stop the machine before setting the pressure to 0 (zero), when you've put other things to the belt's injecting entrance by mistake. Put the T-typed wrench (an accessory) on to the screw for emergency on the side of the main unit and turn it to the arrow marked direction, before you will unload the finished material. In the case where a hard thing has been put in the machine, ensure the safety before resuming the operation for fear that the teflon belt and rubber parts of the pressure roller might be damaged. And in the case of an electric failure, put the T-typed wrench (an accessory) on to the screw for emergency use on the side of the main unit and turn it to the arrow marked direction, before you'll unload the finished material



## Daily maintenance (Pay attention to fear such accidents as burn and caught -in)

### Cleaning belts

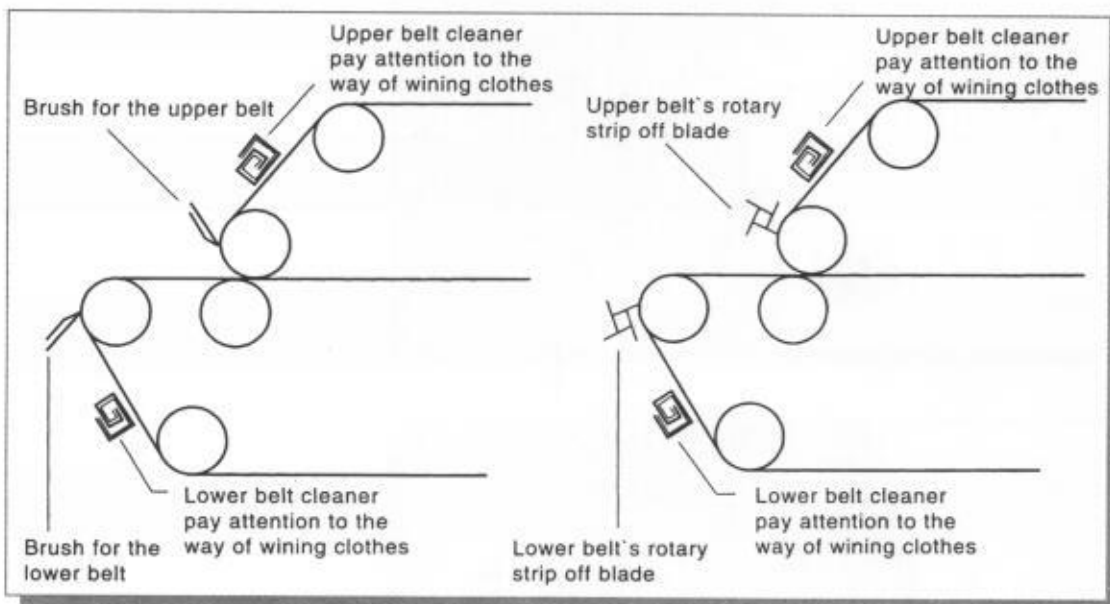
Clean the belt while it is hot. Use the butyrous or the New Clean Spray to clean the belt. In the case where you put the latter to use, pay attention not to spray such electric parts as the warp prevention limit switch and others, resulting in troubles. Moreover, don't use the powders New Cleaning except when dirt is remarkable. Wipe with sure the powders which have a character to be hardened when it is cool. Apply the butyrous onto the belt for the prevention of dirt.

### Cleaning the cleaner

The cleaner is provided at the rear part of the machine. At the start of the cleaning, don't fail to pay attention so that the clean surface could make contact with to belt. And observe it about twice a day to change the dirty surface if necessary. The cleaner is to be removed when you push it to the manipulation panel's side. When you wind a new cloth, make it coincide with the rotary direction of the belt and, then, wind it, not being caught in.

### Cleaning the rotary strip off blade (MS)

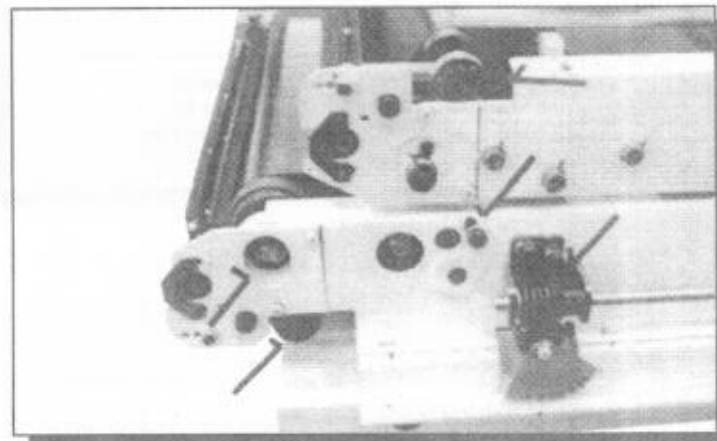
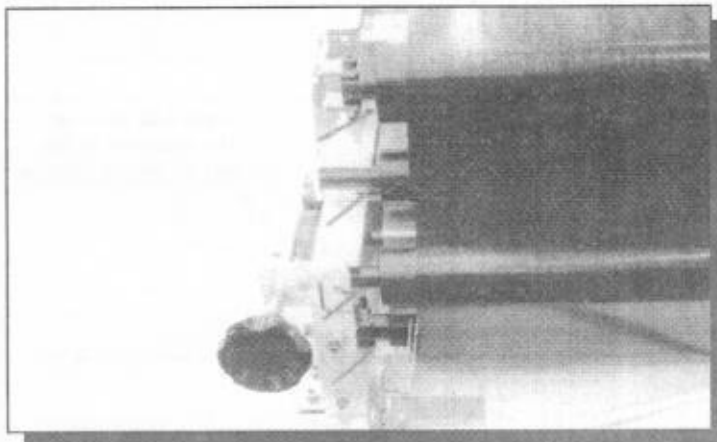
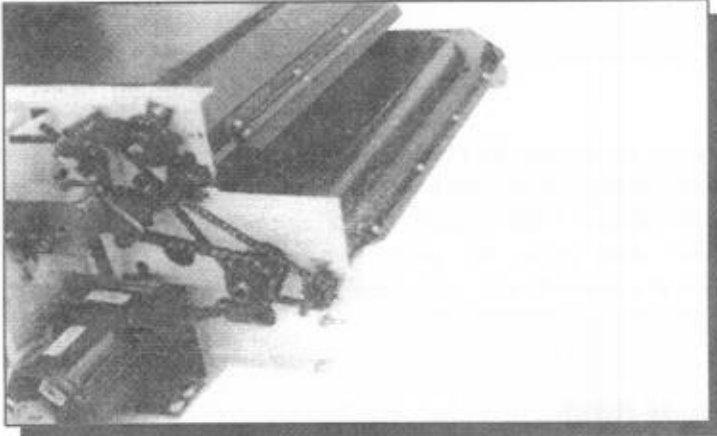
Pick the blade, using a piece of the cloth and move it left to right and right to left in order to take the fusing resin resin and others away. Here, if the blade remains lying, raise it before cleaning it.



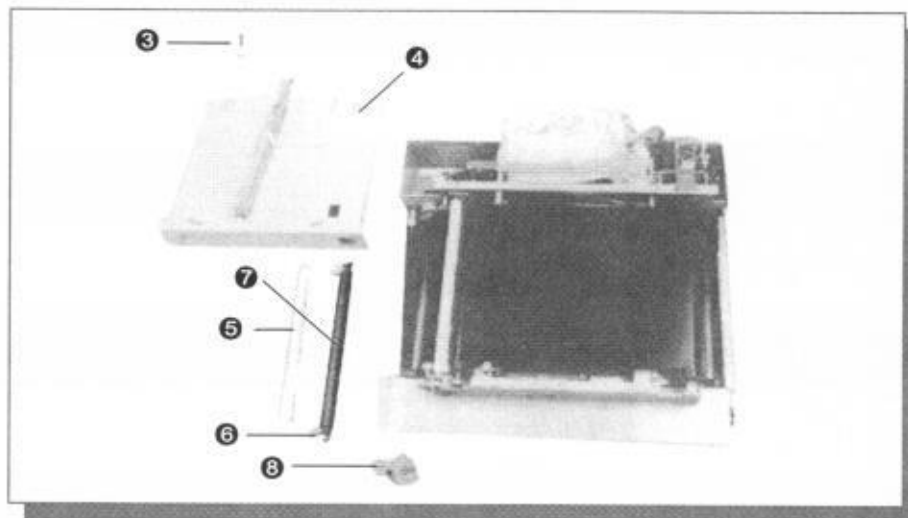
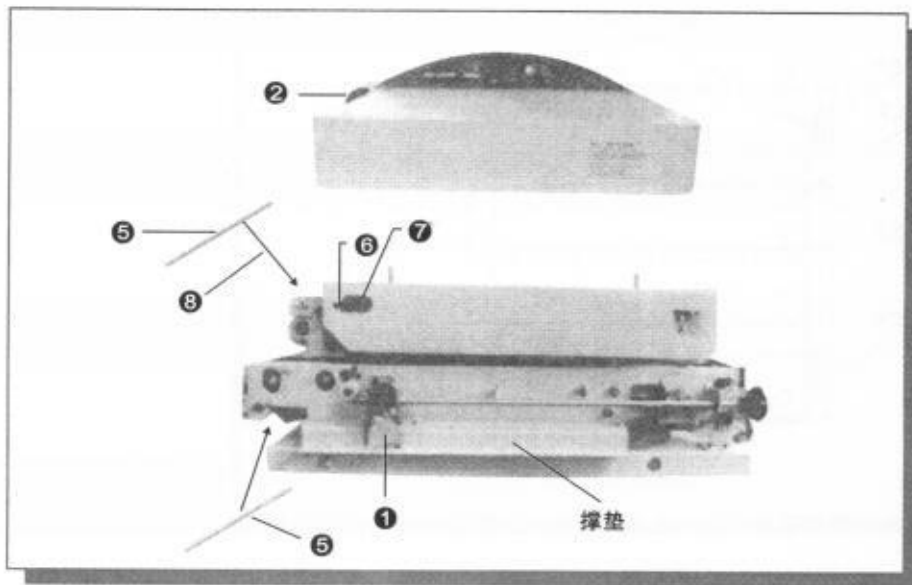
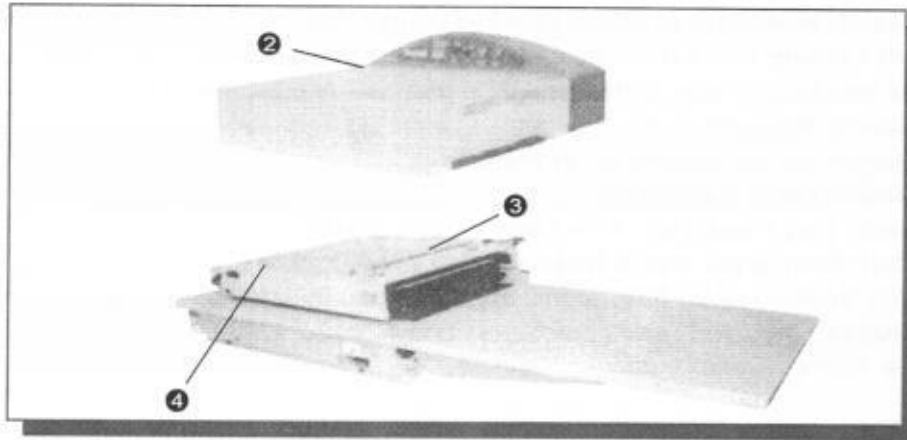
**ATTENTION TO BE PAID MAINTANANCE OF FUSING MACHINE**

Put-off electric sources, fill "grease" inside rollers every two weeks.  
You should use the provided weijie grease and never use grease which contains MOLYBDENUM  
(LACK OF THIS GIVES DAMAGES TO BEARINGS)

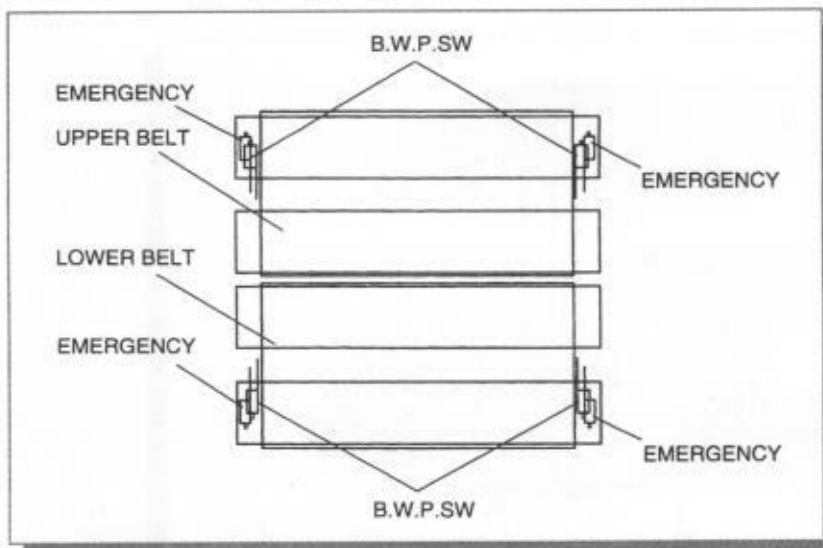
- TAKE OUT MAIN COVER A.
- FULL GREASE INTO THE PLACE OF ARROW MARKS.



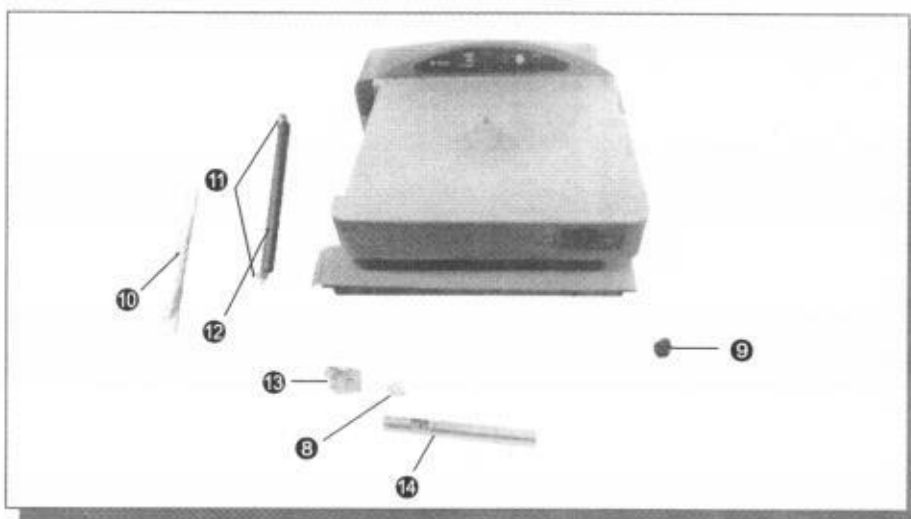
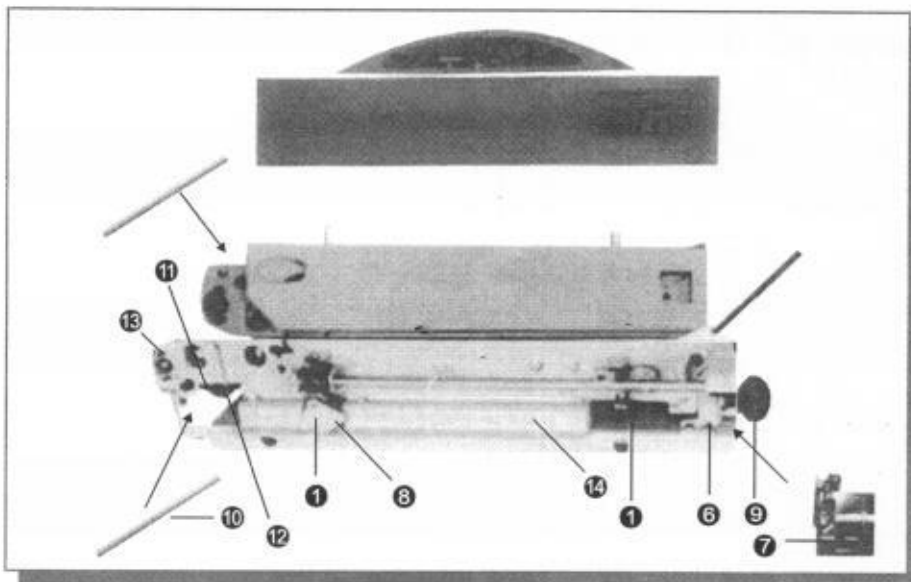
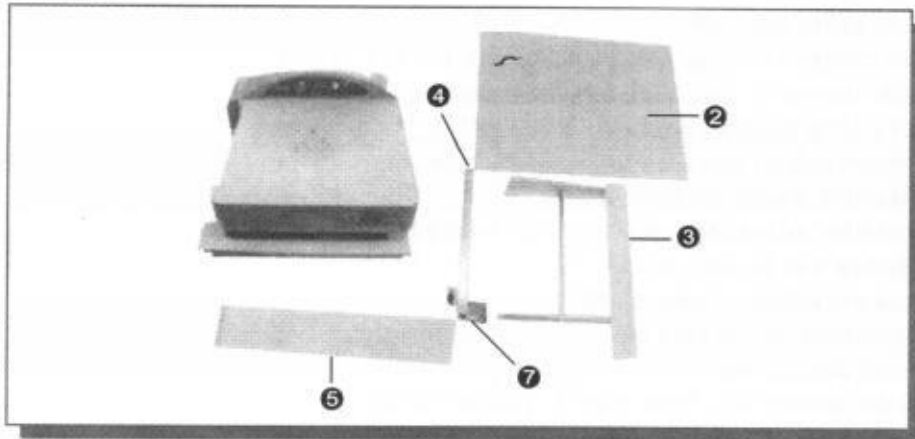
HOW TO EXCHANGE UPPER BELT



- ① Disconnect the power source from its origin and set the pressure -1, and pull-in adjuster set to 0.
- ② Take off main cover (A). Take off screw of main cover (panel side) and put it near the machine or take off connector of panel side and control box.
- ③ Take off belt warping prevention limit switch stay. 3 pan screw(yellow marks).
- ④ Take off the adiabatic cover. 2 Pan screw, 2 Hex bolt (yellow marks).
- ⑤ Take the cleaner bar(upper) off.
- ⑥ Take the tension spring (upper) off of both side.
- ⑦ Take the tension roller (upper) off.
- ⑧ Take the blade stay (lower) off. 2 hex bolt (yellow marks).
- ⑨ Take off a belt from upper frame. When change upper belt, it is easier by taking off frame spacer. In this case, take off front table, working table, sub-table, belt protection stay and left frame support stay(Refer how to change lower belt).
- ⑩ Reassemble in the reverse order.



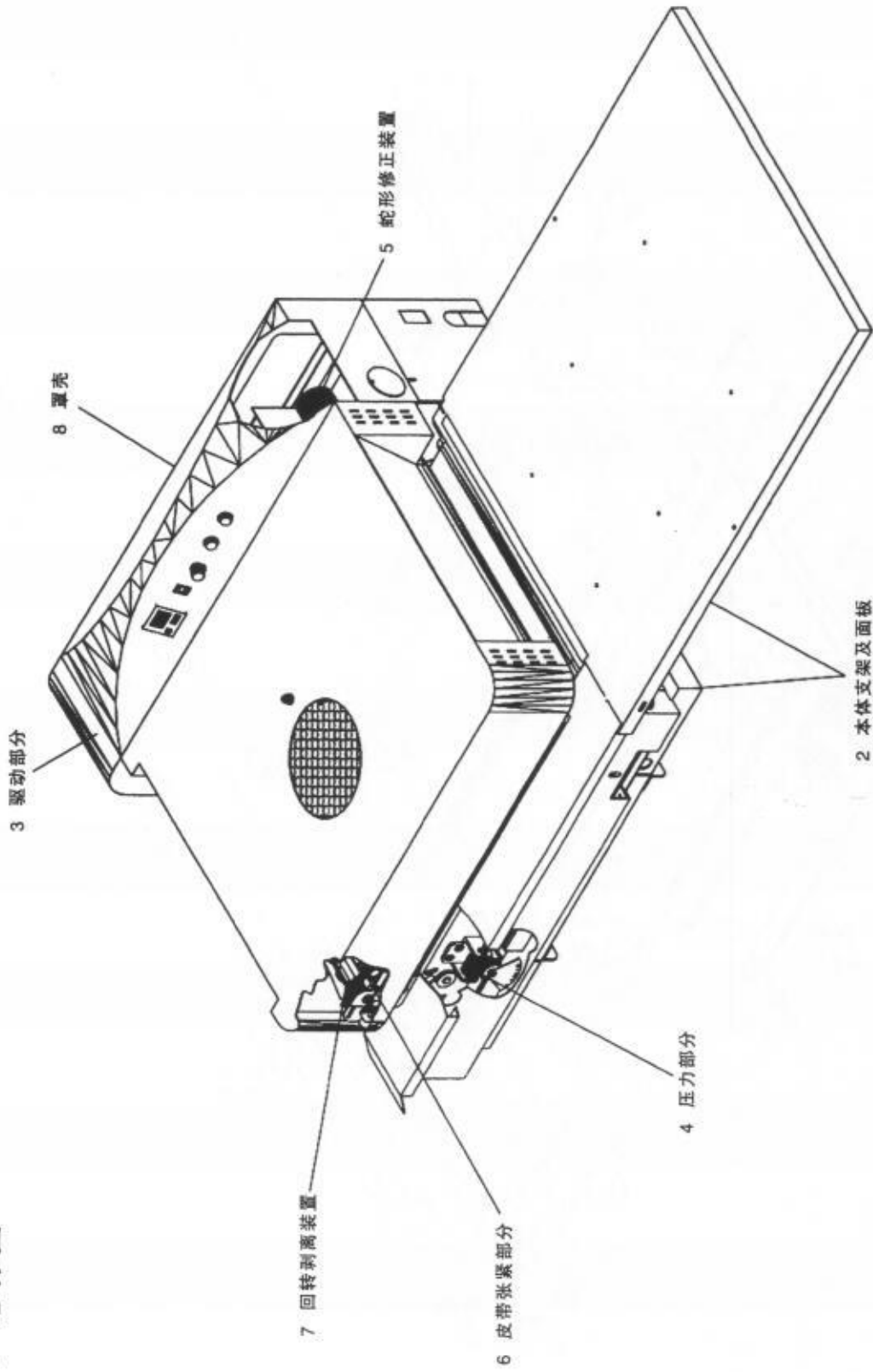
HOW TO CHANGE LOWER BELT



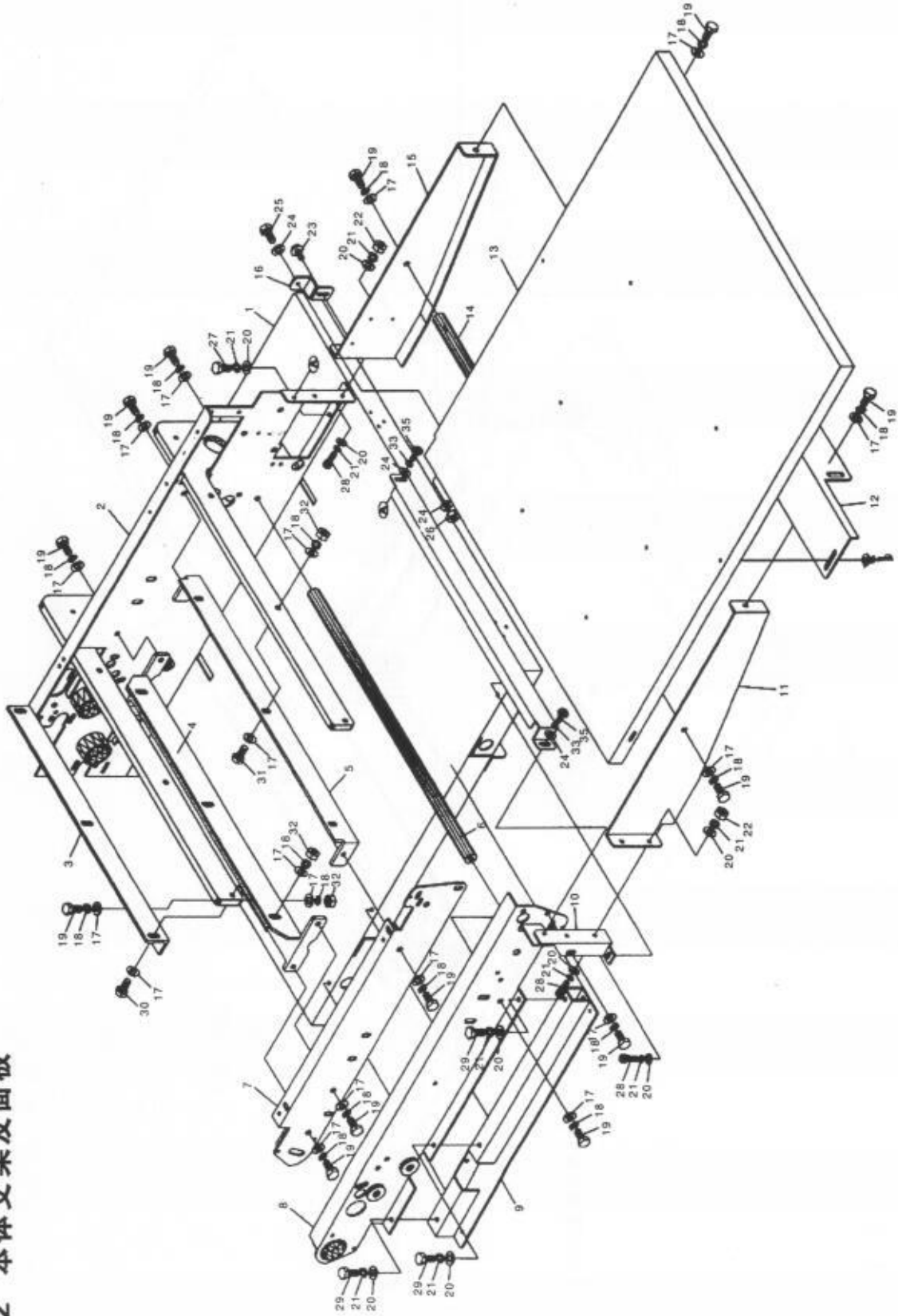


- ① Disconnect the power source from its origin and set the pressure to -1 by the pressure adjusting knob. Set the holding's adjustment to 0.
- ② Take the front table off.
- ③ Take the front table stay off.
- ④ Take the belt protection stay off. Pan screw 2 (yellow mark).
- ⑤ Take the side table off. Hex. Nut 1 (yellow mark).
- ⑥ Take the left frame support stay off. Hex. bolt 2 (yellow mark).
- ⑦ Take the left lower belt warping prevention limit stay off. Pan screw 2 (yellow mark).
- ⑧ Take the pressure meter off. Hex. bolt 1.
- ⑨ Take the pressure adjusting knob off. Hex holed set screw 2.
- ⑩ Take the cleaner bar (lower) off.
- ⑪ Take the tension springs (lower) off.
- ⑫ Take the tension roller (lower) off.
- ⑬ Take the blade stay (lower) off.
- ⑭ Take the frame spacer off. Hex. Bolt 3 (yellow mark)
- ⑮ Press the belt through the outside of the lower frame in order to pull it out. When change lower belt, it is easier by taking off upper cover.
- ⑯ Reassemble in the reverse order. Give attention to set the position of the pressure Meter and left lower belt prevention limit stay.

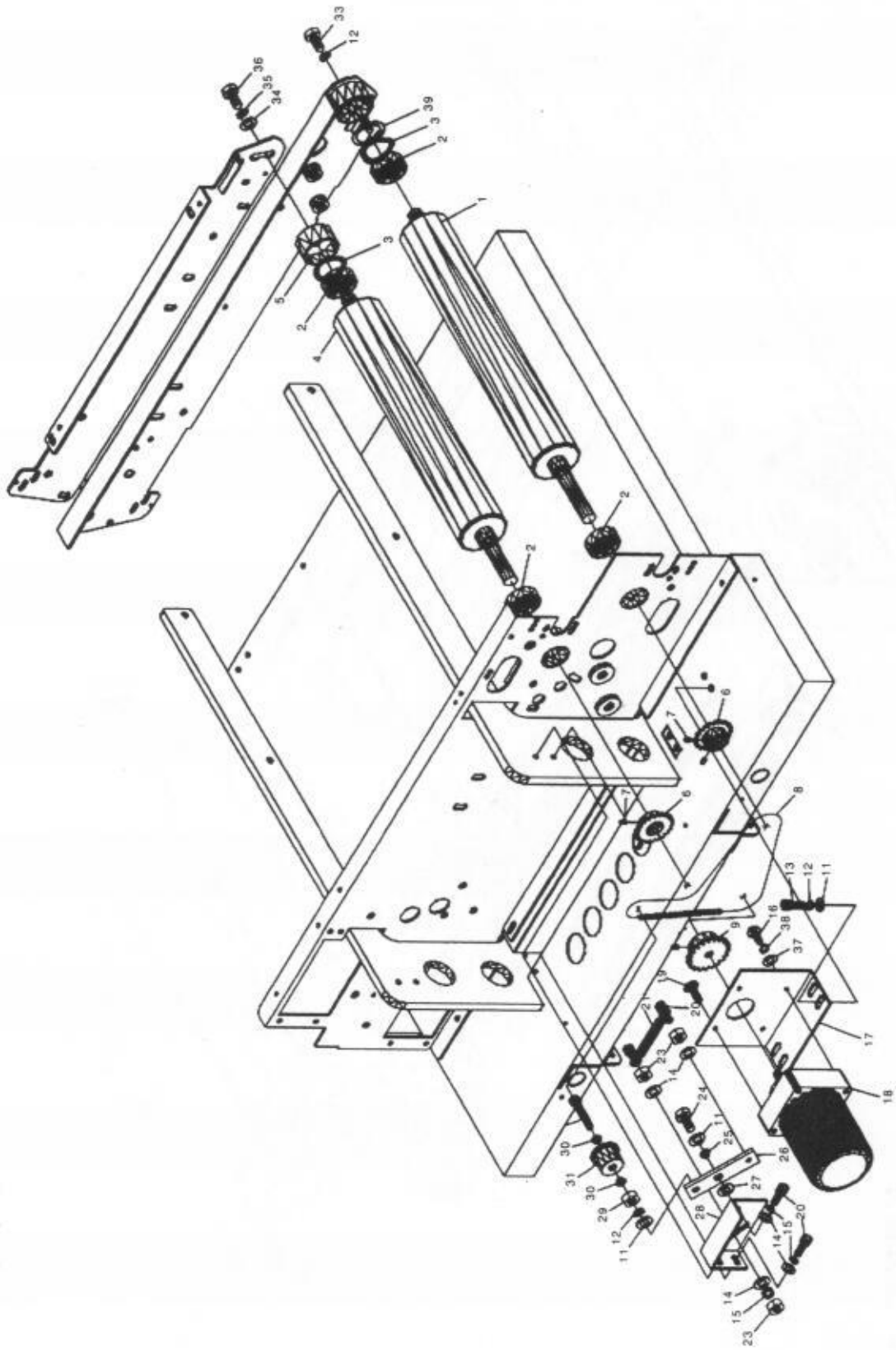
# 1 总体图



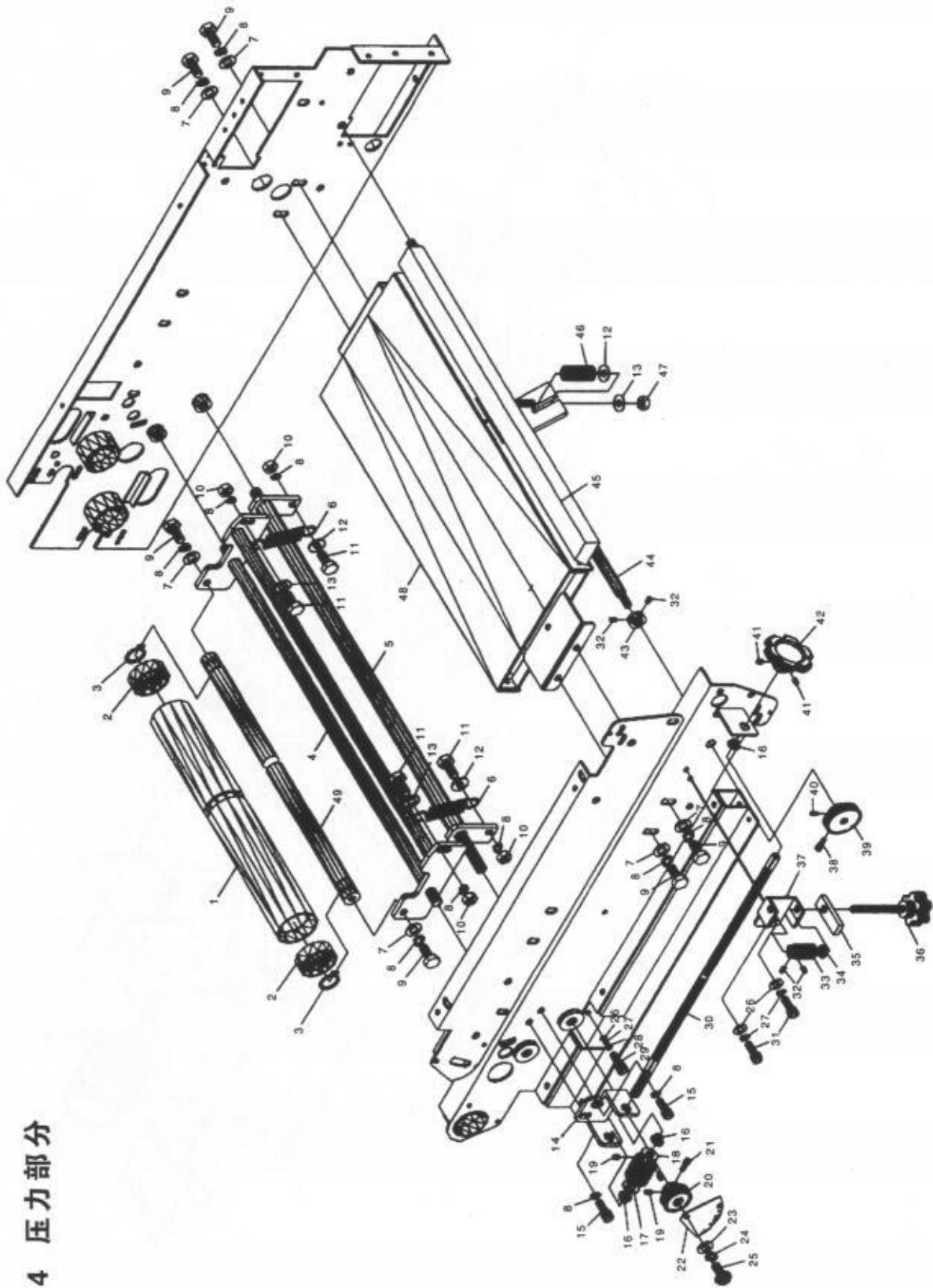
## 2 本体支架及面板



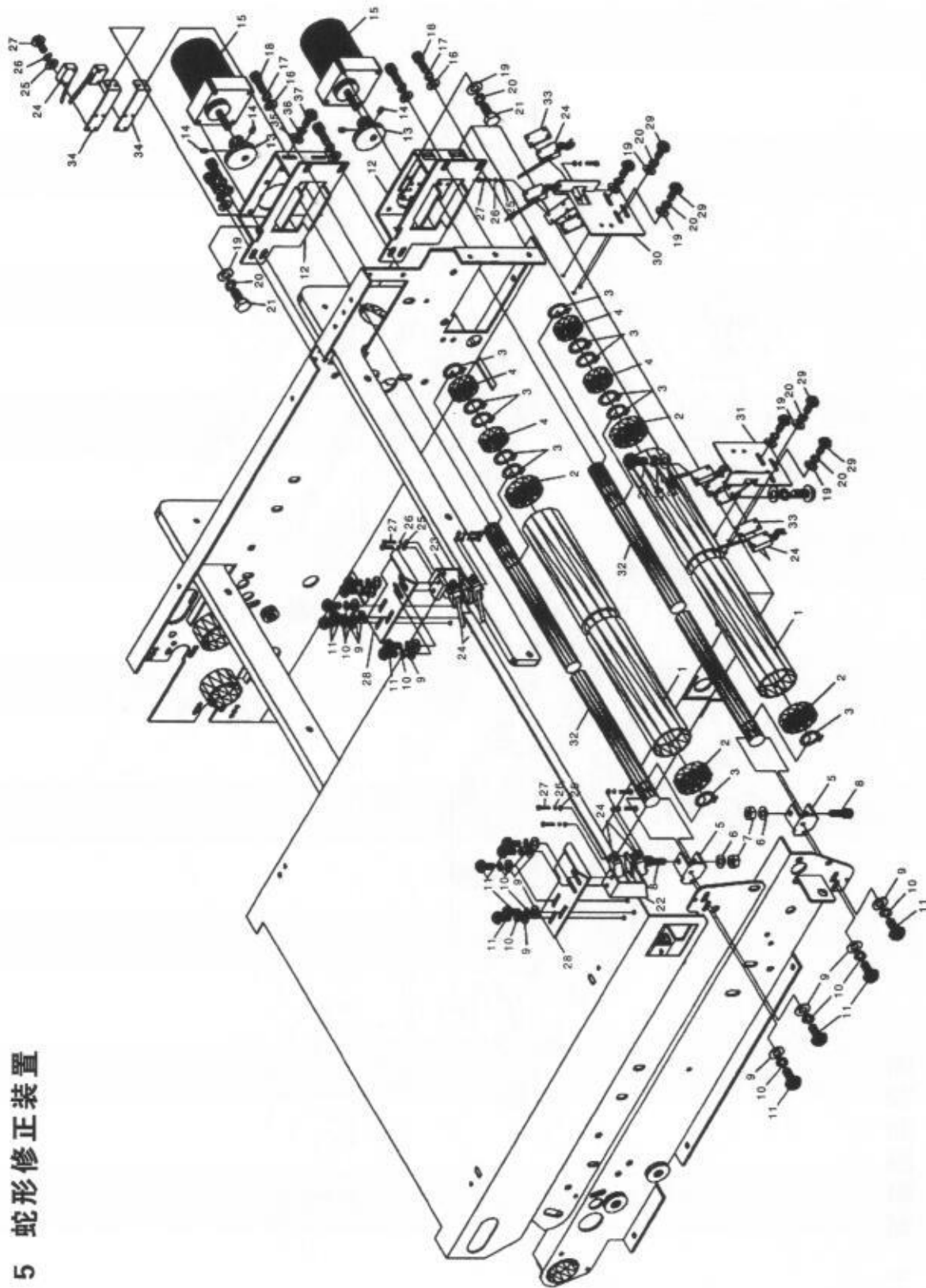
### 3 驱动部分



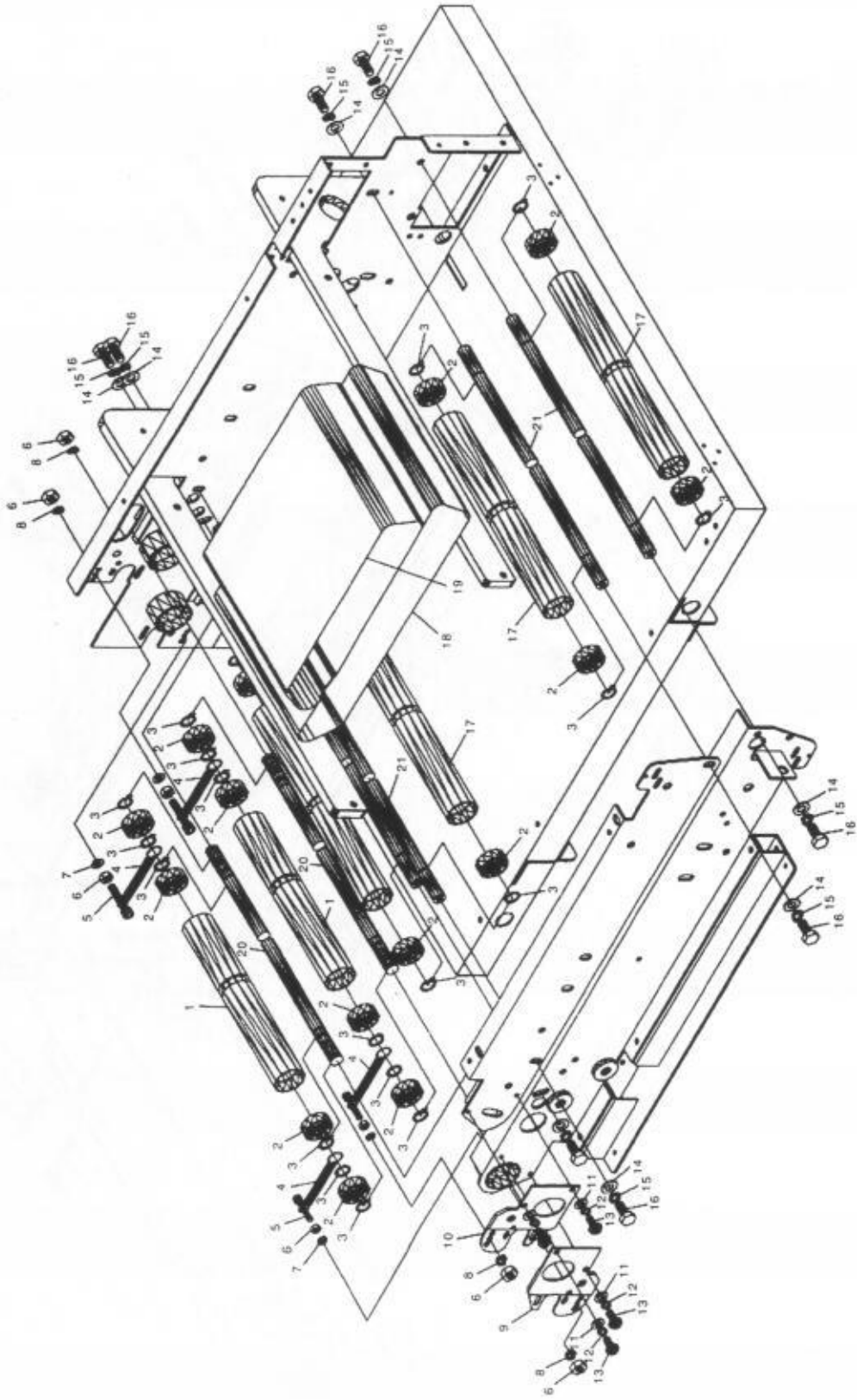
4 压力部分



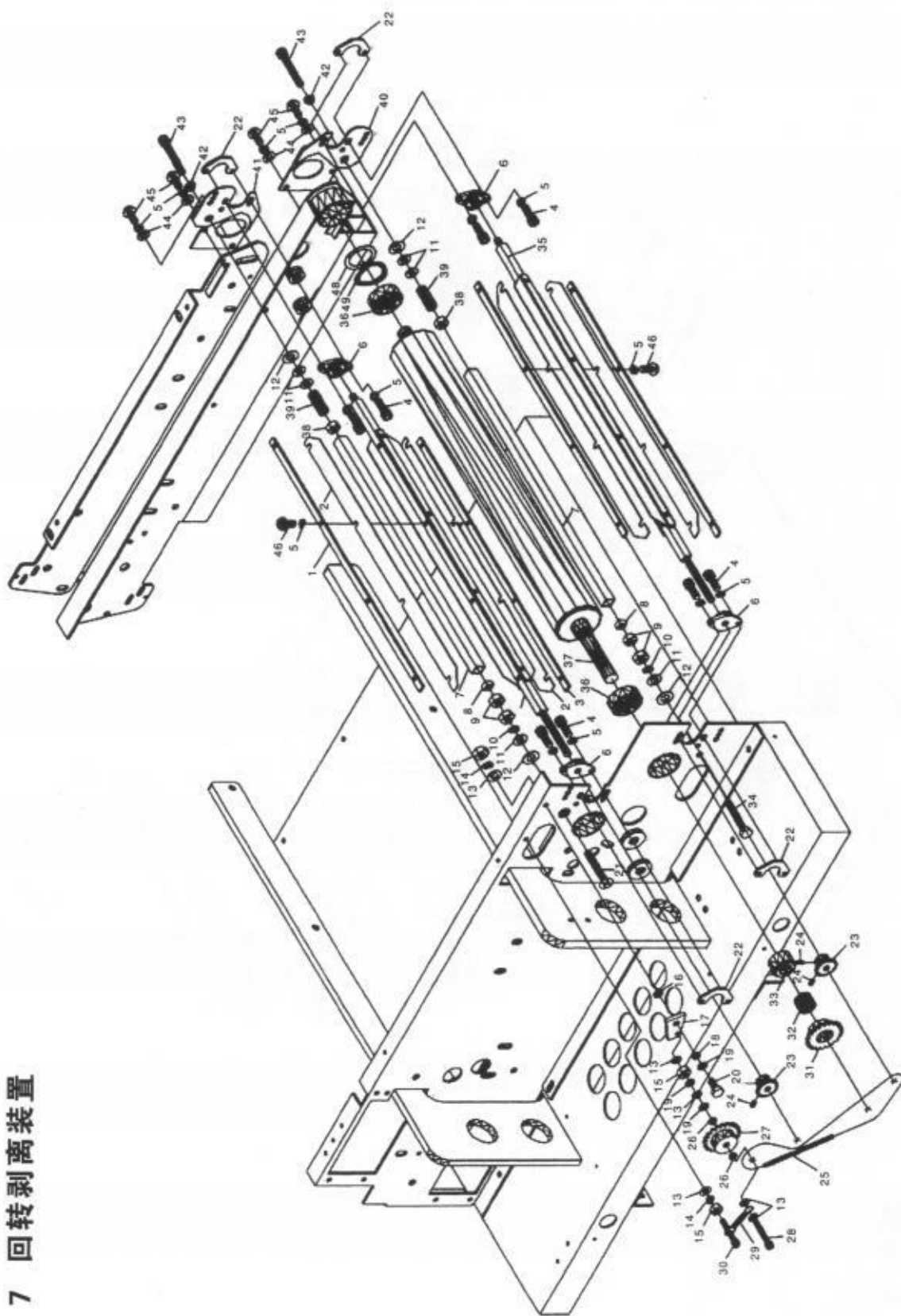
5 蛇形修正装置



6 皮带张紧部分

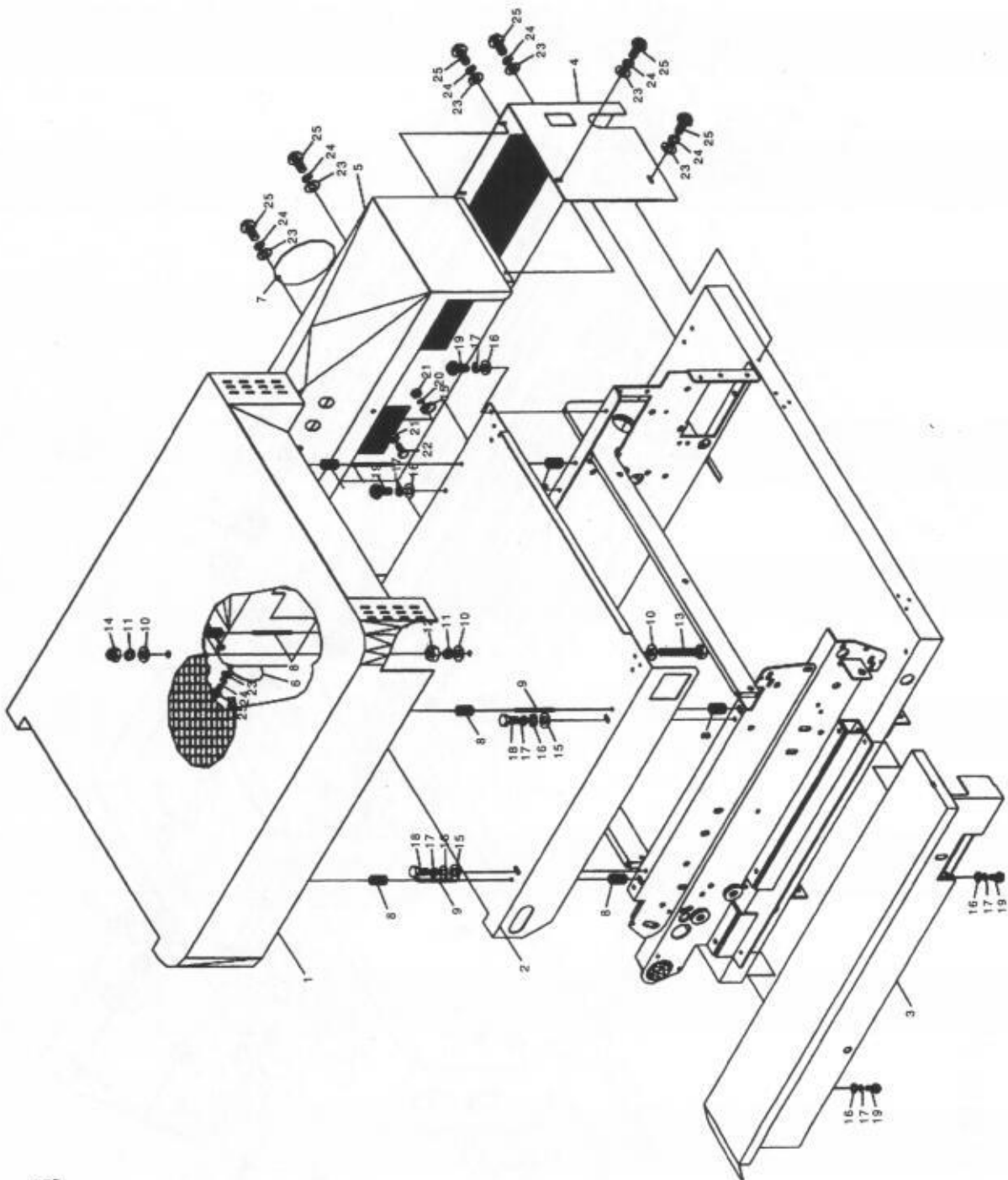


7 回转剥离装置

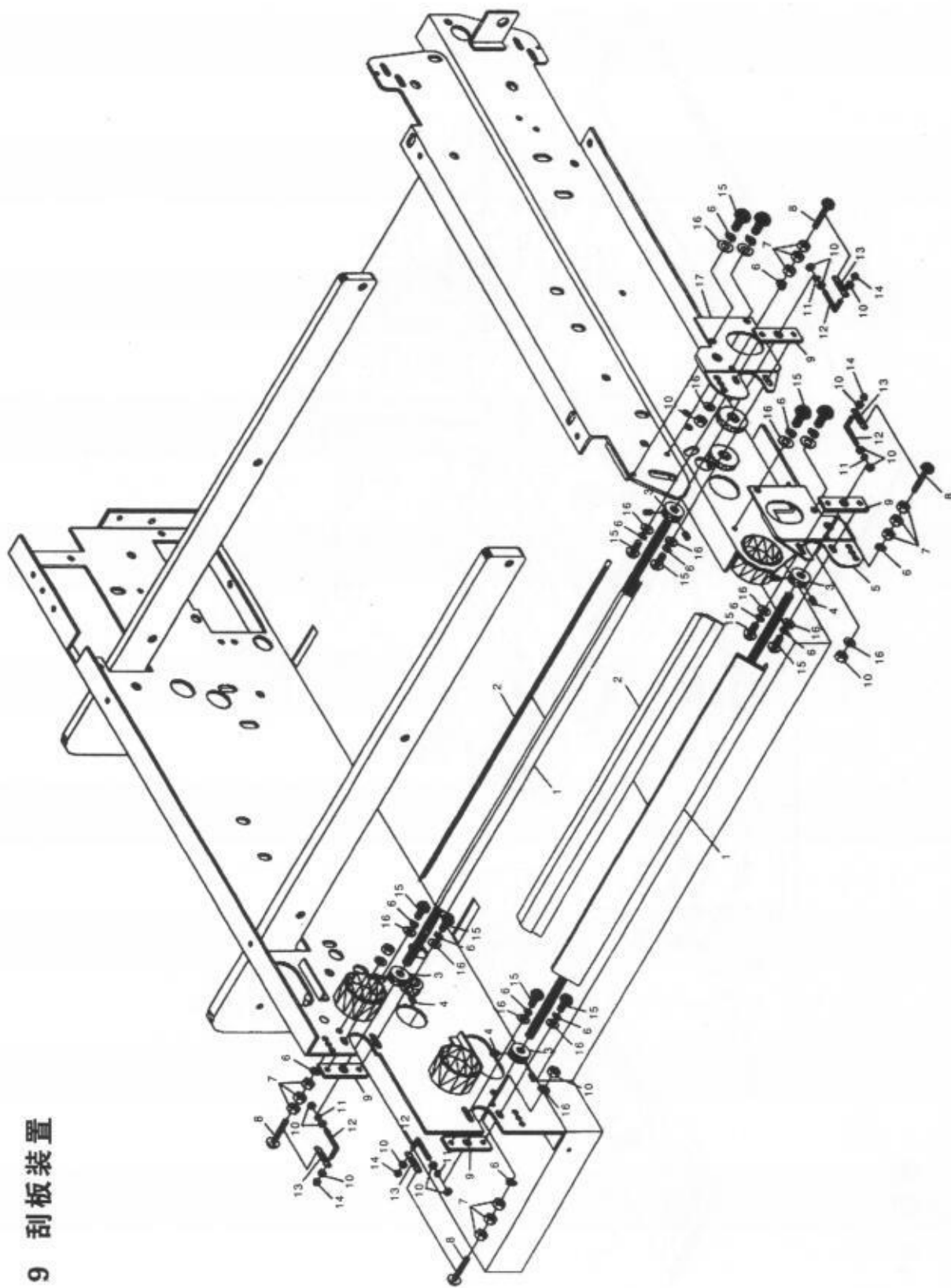




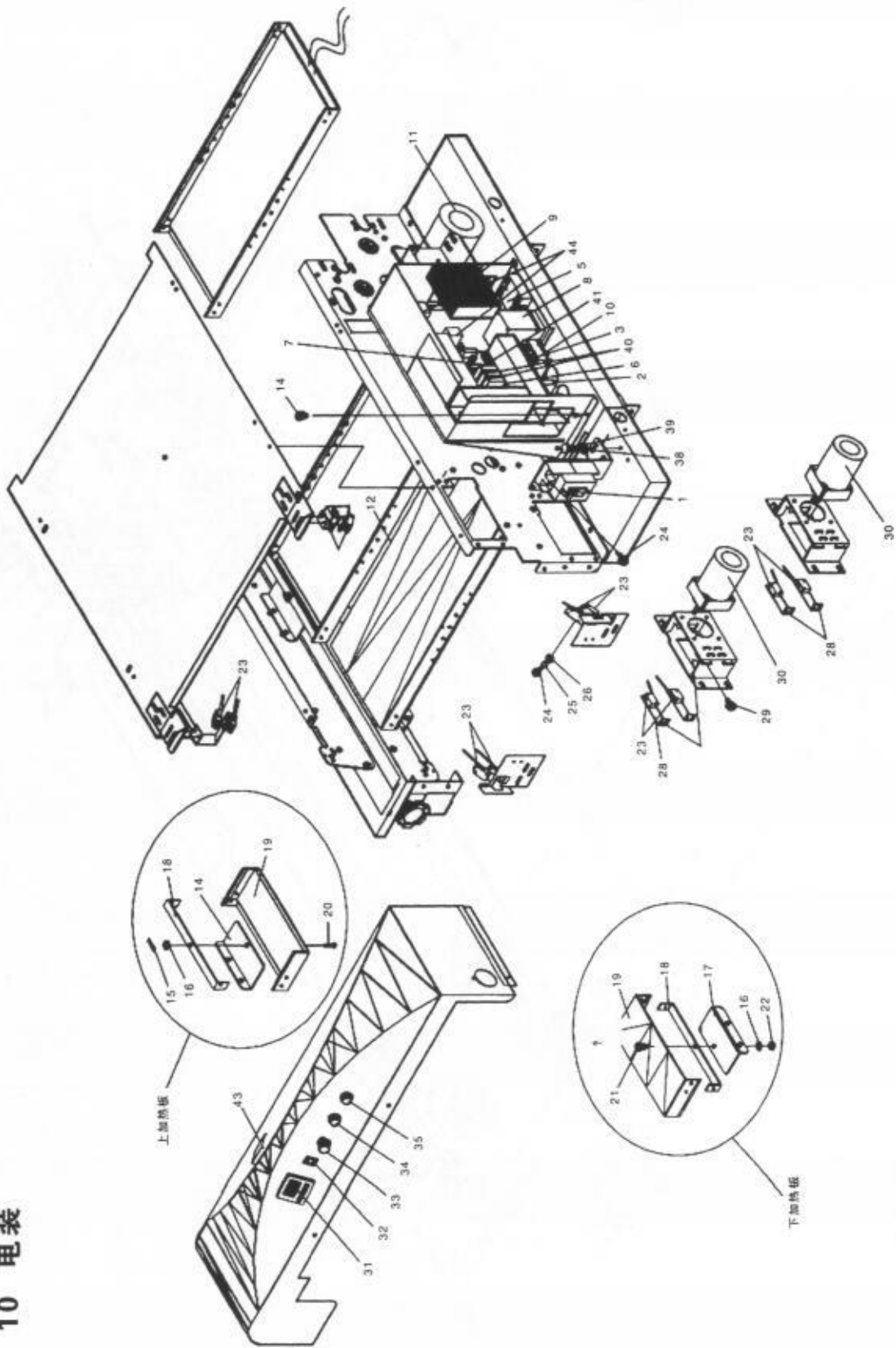
### 8 罩壳



9 刮板装置



# 10 电装



2. 本体支架及面板 (表一)

序号	部品编号	部品名	Parts name	Q'ty	备注
1	450M02001	本体平台	base	1	
2	450M02002	内侧辅助钣金	frame	1	
3	450M02003	辅助钣金连接加强件	stopper stay	1	
4	450M02004	辅助钣金后端连接件	rear frame support	1	
5	450M02005	辅助钣金前端连接件	front frame support	1	
6	450M02006	进料口面板轴B	table shaft	1	
7	450M02007	外侧辅助钣金上	frame	1	
8	450M02008	外侧辅助钣金下	frame	1	
9	450M02009	撑垫钣金	side lower frame	1	
10	450M02010	外侧辅助钣金加强件	frame support stay	1	
11	450M02011	进料口面板右侧支撑钣金	front frame stay	1	
12	450M02012	进料口面板撑脚钣金	table leg	1	
13	450M02013	进料口面板	front table	1	
14	450M02014	进料口面板轴A	front table shaft	1	
15	450M02015	进料口面板左侧支撑钣金	front table stay	1	
16	450M02016	进料口面板固定件	table fixing plate	1	
17	450M02017	平垫圈	plain washer	31	
18	450M02018	标准型弹簧垫圈	spring washer	28	
19	450M02019	外六角螺丝	hex bolt	16	
20	450M02020	平垫圈	plain washer	14	
21	450M02021	标准型弹簧垫圈	spring washer	10	
22	450M02022	六角螺母	hex nut	4	
23	450M02023	十字大盘头螺丝	round head screw	1	
24	450M02024	平垫圈	plain washer	6	
25	450M02025	外六角螺丝	hex bolt	1	
26	450M02026	六角螺母	hex nut	1	
27	450M02027	外六角螺丝	hex bolt	4	
28	450M02028	内六角圆柱头螺丝	hex holed bolt	5	

2. 本体支架及面板 (表二)

序号	部品编号	部品名	Parts name	Q'ty	备注
29	450M02029	外六用螺丝	hex bolt	3	
30	450M02030	外六用螺丝	hex bolt	3	
31	450M02031	外六用螺丝	hex bolt	3	
32	450M02032	六角螺母	hex nut	9	
33	450M02033	标准型弹簧垫圈	spring washer	4	
34	450M02034	十字盘头螺丝	pan screw	2	
35	450M02035	十字盘头螺丝	pan screw	2	

3. 驱动部分 (表一)

序号	部品编号	部品名	Parts name	Q'ty	备注
1	450M03001	下驱动罗拉	driving roller(lower)	1	
2	450M03002	轴承	bearing	4	6203
3	450M03003	轴承用波形弹性垫圈	washer	2	φ40*φ30*0.3
4	450M03004	上驱动罗拉	dring roller(upper)	1	
5	450M03005	压力胶辊罗拉轴环	bearing reciever	1	
6	450M03006	驱动链轮	driving sprocket	2	
7	450M03007	内六角凹端紧定螺钉 M6*6	hex holed set screw	4	
8	450M03008	35号链条	chain	1	
9	450M03009	马达链轮	motor sprocket	1	
10	450M03010	内六角凹端紧定螺钉 M6*10	hex holed set screw	2	
11	450M03011	平垫圈 M8	plain washer	6	
12	450M03012	标准型弹簧垫圈 M8	spring washer	6	
13	450M03013	内六角圆柱头螺丝 M8*20	hex holed bolt	4	
14	450M03014	平垫圈 M6	plain washer	5	
15	450M03015	标准型弹簧垫圈 M6	spring washer	3	
16	450M03016	外六角螺丝 M5*16	hex bolt	3	
17	450M03017	马达安装板	motor bracket	1	
18	450M03018	马达	motor	1	
19	450M03019	十字沉头螺丝 M5*15	raund head screw	1	
20	450M03020	内六角圆柱头螺丝 M6*15	hex holed bolt	1	
21	450M03021	驱动用弹簧	spring	1	
22	450M03022	内六角圆柱头螺丝 M6*25	hex holed bolt	1	
23	450M03023	六角螺母 M6	hex nut	3	
24	450M03024	外六角螺丝 M8*25	hex bolt	1	
25	450M03025	无油轴承	metal	1	08075
26	450M03026	张紧轮连接杆	driving tension stay	1	
27	450M03027	无油轴承	metal	1	WC10*25*1.5
28	450M03028	驱动张紧轮固定件	driving tension roller	1	

3. 驱动部分 (表二)

序号	部品编号	部品名	Parts name	Qty	备注
29	450M03029	六角螺母	hex nut	1	
30	450M03030	无油轴承	metal	2	08055
31	450M03031	张紧轮	flange metal	1	
32	450M03032	内六角圆柱头螺丝	hex holed bolt	1	
33	450M03033	外六角螺丝	hex bolt	1	
34	450M03034	平垫圈	plain washer	1	
35	450M03035	标准型弹簧垫圈	spring washer	1	
36	450M03036	内六角圆柱头螺丝	hex holed bolt	1	
37	450M03037	平垫圈	plain washer	3	
38	450M03038	标准型弹簧垫圈	spring washer	3	
39	450M03039	轴承用垫圈	washer	1	

4. 压力部分 (表一)

序号	部品编号	部品名	Parts name	Q'ty	备注
1	450M04001	加压罗拉	pressure roller	1	
2	450M04002	轴承	bearing	2	6204ZC4
3	450M04003	卡簧(φ20)	c-ring	2	
4	450M04004	加压杠杆(B)	pressure roller lever	1	
5	450M04005	压力弹簧轴	pressure spring shaft	1	
6	450M04006	压力弹簧	spring	2	
7	450M04007	平垫圈	plain washer	6	
8	450M04008	标准型弹簧垫圈	spring washer	12	
9	450M04009	外六角螺丝	hex bolt	6	
10	450M04010	六角薄螺母	hex nut	4	
11	450M04011	外六角螺丝	hex bolt	4	
12	450M04012	加宽垫圈	plain washer	3	
13	450M04013	平垫圈	plain washer	3	
14	450M04014	压力蜗杆固定件	pressure adusting worm stay	1	
15	450M04015	内六角圆柱头螺丝	hex holed screw	2	
16	450M04016	无油轴承	metal	3	10070
17	450M04017	无油轴承	metal	1	WC10*25*1.5
18	450M04018	调压蜗杆	worm gear	1	
19	450M04019	内六角凹端紧定螺钉	hex holed set screw	3	
20	450M04020	压力调节蜗轮	pressure adusting worm gear	1	
21	450M04021	内六角圆柱头螺丝	hex holed screw	1	
22	450M04022	压力数字表示	pressure meter	1	
23	450M04023	平垫圈	plain washer	1	
24	450M04024	标准型弹簧垫圈	spring washer	1	
25	450M04025	十字盘头螺丝	pan screw	1	
26	450M04026	平垫圈	plain washer	3	
27	450M04027	标准型弹簧垫圈	spring washer	3	
28	450M04028	六角螺母	hex nut	1	



4. 压力部分 (表二)

序号	部品编号	部品名	Parts name	Q'ty	备注
29	450M04029	内六角圆柱头螺丝	hex holed screw	1	
30	450M04030	压力轴	pressure shaft	1	
31	450M04031	内六角圆柱头螺丝	hex holed screw	2	
32	450M04032	内六角凹端紧定螺钉	hex holed set screw	4	
33	450M04033	进料开口调节蜗杆	clearance adusting worm gear	1	
34	450M04034	无油轴承	metal	1	WC8*16*1.5
35	450M04035	中间标示板	clearance a djusting meter	1	
36	450M04036	旋钮	handle	1	
37	450M04037	进料口控制蜗杆固定件	clearance adusting worm stay	1	
38	450M04038	内六角圆柱头螺丝	hex holed screw	1	
39	450M04039	进料开口调节蜗轮	clearance adusting worm wheel	1	
40	450M04040	内六角凹端紧定螺钉	hex holed set screw	1	
41	450M04041	内六角凹端紧定螺钉	hex holed set screw	2	
42	450M04042	波纹把手	pressure knob	1	
43	450M04043	进料口控制轴环	coller	1	
44	450M04044	进料口控制板轴	shaft	1	
45	450M04045	进料口控制板	pull in plate	1	
46	450M04046	进料口用弹簧	spring	1	
47	450M04047	锁紧螺母	hex U-nut	1	
48	450M04048	加热板(下)	heater (lower)	1	
49	450M04049	加压罗拉轴	pressure roller shaft	1	

5. 蛇形修正装置 (表一)

序号	部品编号	部品名	Parts	Q'ty	备注
1	450M05001	修正并行罗拉	belt wrapping prevention roller	2	
2	450M05002	轴承	bearing	4	6204ZC4
3	450M05003	卡簧(φ20)	C-ring	12	
4	450M05004	轴承	bearing	4	6904ZC4
5	450M05005	修正罗拉固定件	belt wrapping prevention roller	2	
6	450M05006	平垫圈	plain washer	2	
7	450M05007	锁紧螺母	hex U-nut	2	
8	450M05008	内六角圆柱头螺丝	hex holed screw	2	
9	450M05009	平垫圈	plain washer	10	
10	450M05010	标准型弹簧垫圈	spring washer	10	
11	450M05011	十字盘头螺丝	pan screw	10	
12	450M05012	蛇形修正马达安装板	motor fixing frame	2	
13	450M05013	修正凸轮	BWP cam	2	
14	450M05014	内六角凹端紧定螺钉	hex holed set screw	4	
15	450M05015	蛇形修正马达	motor	2	
16	450M05016	平垫圈	plain washer	8	日本制
17	450M05017	标准型弹簧垫圈	spring washer	8	
18	450M05018	内六角圆柱头螺丝	hex holed screw	8	
19	450M05019	平垫圈	plain washer	14	
20	450M05020	标准型弹簧垫圈	spring washer	14	
21	450M05021	外六角螺丝	hex screw	8	
22	450M05022	左限位固定件	limite switch stay(left)	1	
23	450M05023	右限位固定件	limite switch stay(right)	1	
24	450M05024	限位开关	limite switch	8	V-103-1A4-T
25	450M05025	平垫圈	plain washer	24	
26	450M05026	标准型弹簧垫圈	spring washer	24	
27	450M05027	十字盘头螺丝	pan screw	24	
28	450M05028	上限位开关固定件	limite switch stay(upper)	2	

5. 蛇形修正装置 (表二)

序号	部品编号	部品名	Parts name	Q'ty	备注
	450M05029	十字盘头螺丝 M4*8	pan screw		
	450M05030	下侧蛇形修正安装板-左	belt waprng prevention frame (left)		
	450M05031	下侧蛇形修正安装板-右	belt waprng prevention frame (right)		
	450M05032	蛇形修正罗拉轴	belt waprng prevention roller shaft		
	450M05033	限位开关固定件	limite switch stay		
	450M05034	调偏开关固定件	belt waprng preventionlimite switch stay		
	450M05035	平垫圈 M4	plain washer		
	450M05036	标准型弹簧垫圈 M4	spring washer		
	450M05037	十字盘头螺丝 M4*10	pan screw		

### 6. 皮带张紧部分

序号	部品编号	部品名	Parts name	Q'ty	备注
1	450M06001	张紧罗拉	tension roller	2	
2	450M06002	轴承	bearing	16	6202ZC4
3	450M06003	卡簧(φ15)	c-ring	20	
4	450M06004	张紧用弹簧	tension spring	4	
5	450M06005	内六角圆柱头螺丝 M6*30	hex holed screw	4	
6	450M06006	六角螺母 M6	hex nut	8	
7	450M06007	平垫圈 M6	plain washer	4	
8	450M06008	标准型弹簧垫圈 M6	spring washer	4	
9	450M06009	剥离器安装板下	blade stay(lower)	1	
10	450M06010	剥离器安装板上	blade stay(upper)	1	
11	450M06011	平垫圈 M5	plain washer	4	
12	450M06012	标准型弹簧垫圈 M5	spring washer	4	
13	450M06013	十字盘头螺丝 M5*10	pan screw	4	
14	450M06014	平垫圈 M8	plain washer	8	
15	450M06015	标准型弹簧垫圈 M8	spring washer	8	
16	450M06016	外六角螺丝 M8*20	hex screw	8	
17	450M06017	并行罗拉	roller	4	
18	450M06018	铁氟龙皮带(下)	teflon belt(lower)	1	
19	450M06019	铁氟龙皮带(上)	teflon belt(upper)	1	
20	450M06020	张紧罗拉轴	tension roller shaft	2	
21	450M06021	并行罗拉轴	roller shaft	4	

7. 回转剥离装置 (表一)

序号	部品编号	部品名	Parts name	Q'ty	备注
1	450M07001	剥离回转轴同螺钉侧压板	brade stopper	4	
2	450M07002	旋转玻璃刮板	rotary strip off brade	8	
3	450M07003	剥离回转轴带螺旋纹压板	rotary shaft stopper side	4	
4	450M07004	内六角圆柱头螺丝 M5*15	hex holed screw	8	
5	450M07005	标准型弹簧垫圈 M5	spring washer	12	
6	450M07006	带座轴承	pyro pipe	4	SU08
7	450M07007	清洗用方管	cleaner pipe	2	
8	450M07008	清洗用方管螺母	pipe end metal	2	
9	450M07009	六角螺母 M8	hex nut	4	
10	450M07010	标准型弹簧垫圈 M8	spring washer	2	
11	450M07011	平垫圈 M8	plain washer	6	
12	450M07012	平垫圈 M10	plain washer	4	
13	450M07013	平垫圈 M6	plain washer	6	
14	450M07014	标准型弹簧垫圈 M6	spring washer	2	
15	450M07015	六角螺母 M6	hex nut	3	
16	450M07016	无油轴承	metal	1	WC8*16*1.5
17	450M07017	剥离张紧轮固定件	strip-off tension stay	1	
18	450M07018	无油轴承	metal	1	06070
19	450M07019	无油轴承	metal	3	WC6.4*12*1.5
20	450M07020	外六角螺丝 M6*20	hex screw	1	
21	450M07021	十字沉头螺丝 M8*50	raund head screw	1	
22	450M07022	剥离固定件	strip-off fixing stay	4	
23	450M07023	回转剥离链轮	rotary blade sprocket	2	
24	450M07024	内六角凹端紧定螺钉 M5*5	hex holed set screw	4	
25	450M07025	链条	chain	1	25#
26	450M07026	无油轴承	metal	2	06040
27	450M07027	回转剥离张紧链轮	rotary strip-off tension sprocket	1	
28	450M07028	内六角圆柱头螺丝 M6*40	hex holed screw	1	

7. 回转剥离装置 (表二)

序号	部品编号	部品名	Parts name	Q'ty	备注
29	450M07029	剥离张紧弹簧	strip-off tension spring	1	
30	450M07030	内六角圆柱头螺丝 M6*50	hex holed screw	1	
31	450M07031	回转剥离驱动链轮	rotary strip-off driving sprocket	1	
32	450M07032	滚针轴承	bearing	1	HF1616
33	450M07033	驱动剥离轴环(B)	coller	1	
34	450M07034	外六角螺丝 M8*50	hex screw	1	
35	450M07035	剥离回转轴	rotary strip-off shaft	2	
36	450M07036	轴承	bearing	2	6203
37	450M07037	下驱动罗拉	driving roller(lower)	1	
38	450M07038	锁紧螺母 M8	hex U-nut	2	
39	450M07039	清洗用弹簧	spring	2	
40	450M07040	剥离器安装版下	rotary strip-off stay(lower)	1	
41	450M07041	剥离器安装版上	rotary strip-off stay(upper)	1	
42	450M07042	无油轴承	metal	2	08060
43	450M07043	内六角圆柱头螺丝 M8*50	hex holed screw	2	
44	450M07044	平垫圈 M5	plain washer	4	
45	450M07045	十字盘头螺丝 M5*10	pan screw	4	
47	450M07047	内六角凹端紧定螺钉 M6*8	hex holed set screw	16	
48	450M07048	轴承用垫圈	washer	1	
49	450M07049	轴承用波形弹簧垫圈	washer	2	

8. 罩壳

序号	部品编号	部品名	Parts name	Q'ty	备注
1	450M08001	本体盖板(A)	upper cover	1	
2	450M08002	隔热钣金	adiabatic cover	1	
3	450M08003	侧面钣金	frame	1	
4	450M08004	后罩壳钣金	body lower cover	1	
5	450M08005	操作面本体盖板(B)	operation panel cover	1	
6	450M08006	两侧观察口钣金	lid	2	
7	450M08007	操作面壳观察口钣金	lid	2	
8	450M08008	隔热轴环	lid	4	
9	450M08009	M5*70螺纹杆	bolt	4	
10	450M08010	平垫圈 M8	plain washer	3	
11	450M08011	标准型弹簧垫圈 M8	spring washer	2	
12	450M08012	六角螺母 M8	hex nut	1	
13	450M08013	外六角螺丝 M8*80	hex bolt	1	
14	450M08014	帽形螺母 M8	cap nut	1	
15	450M08015	平垫圈 M6	plain washer	6	
16	450M08016	平垫圈 M5	plain washer	7	
17	450M08017	标准型弹簧垫圈 M5	spring washer	7	
18	450M08018	外六角螺丝 M5*35	hex bolt	2	
19	450M08019	十字盘头螺丝 M5*35	pan screw	5	
20	450M08020	标准型弹簧垫圈 M6	spring washer	2	
21	450M08021	六角螺母 M6	hex nut	4	
22	450M08022	外六角螺丝 M6*16	hex bolt	2	
23	450M08023	平垫圈 M4	plain washer	15	
24	450M08024	标准型弹簧垫圈 M4	spring washer	15	
25	450M08025	十字盘头螺丝 M4*10	pan screw	15	

### 9. 剥离器安装板上

序号	部品编号	部品名	Parts name	Q'ty	备注
1	450M09001	刮板钣金	scraper receiver	2	
2	450M09002	剥离平刮板	scraper	2	
3	450M09003	剥离轴环	coller	4	
4	450M09004	内六角凹端紧定螺钉	hex holed set screw	8	
5	450M09005	剥离器安装板下	scraper stay(lower)	1	
6	450M09006	标准型弹簧垫圈	spring washer	16	
7	450M09007	六角螺母	hex nut	12	
8	450M09008	十字盘头螺丝	pan screw	4	
9	450M09009	刮片装置固定座	scraper fixing stay	4	
10	450M09010	六角螺母	hex nut	12	
11	450M09011	标准型弹簧垫圈	spring washer	4	
12	450M09012	弹簧支撑螺钉	spring fixing screw	4	
13	450M09013	刮板用弹簧	spring	4	
14	450M09014	帽形螺母	cap nut	4	
15	450M09015	十字盘头螺丝	pan screw	12	
16	450M09016	平垫圈	plain washer	16	
17	450M09017	剥离器安装板上	scraper stay(upper)	1	



10. 电 装 (表一)

序号	部品编号	部品名	Parts name	Qty	备注
1	450M10001	空气开关	breaker	1	
2	450M10002	电容	condencer	2	
3	450M10003	接触器	magnet	1	
5	450M10005	固态继电器	SSR	1	
6	450M10006	PCB板	control PCB	1	
7	450M10007	线槽	cutting duct		
8	450M10008	调速箱	speed controller	1	
9	450M10009	电源开关	power unit	1	
10	450M10010	驱动电容	condencer	1	
11	450M10011	驱动马达	driving motor	1	
12	450M10012	热电偶	heater sensor	1	
14	450M10014	加热板安装固定件A	heater fixing stay	2	
15	450M10015	异形弹簧	pin	1	
16	450M10016	平垫	plain washer	2	
17	450M10017	加热板安装固定件B	heater fixing stay	2	
18	450M10018	加热板安装辅助件	heater fixing sub stay	4	
19	450M10019	加热板	heater	2	
20	450M10020	加热板销	pin	2	
21	450M10021	外六角组合螺丝	hex set screw	2	
22	450M10022	锁紧螺母	hex U-nut	2	
23	450M10023	限位开关	limit switch	12	
24	450M10024	十字盘头螺丝	pan screw	22	
25	450M10025	弹垫	spring washer	22	
26	450M10026	平垫	plain washer	22	
28	450M10028	调偏开关固定件	limit switch stay	4	
29	450M10029	组合螺丝	setting screw	8	
30	450M10030	蛇行修正马达	motor	2	
31	450M10031	温控器	thermostat	1	

10. 电 装 (表二)

序号	部品编号	部品名	Parts name	Q'ty	备注
32	450M10032	翘板开关	timer switch	1	
33	450M10033	调速旋钮	volume	1	
34	450M10034	启动开关	start switch	1	
35	450M10035	停止开关	stop switch	1	
38	450M10038	外六角螺丝	hex bolt	2	
39	450M10039	平垫圈	plain washer	2	
40	450M10040	中间继电器	relay	2	
41	450M10041	中间继电器	relay	1	
43	450M10043	风扇	fan	1	
44	450M10044	中间继电器	relay	2	