



GLOBAL

FS 603 (-NP)

Parts manual

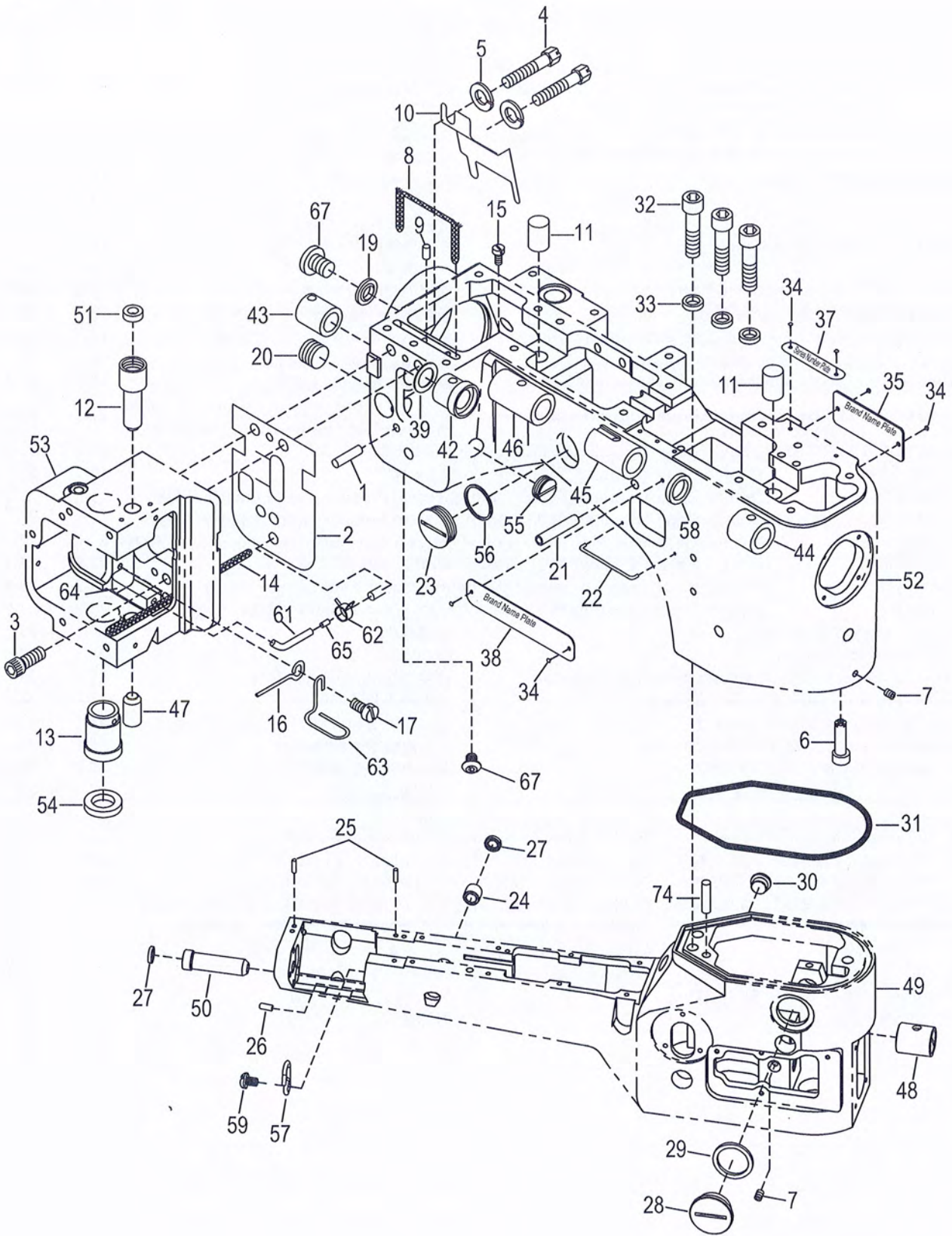
www.globalsew.com

info@globalsew.com

INDEX

	索引	Page
Machine Bed Frame & Bushing(1)	機體結合機構與銅套(1)	1 ~ 2
Cover and Safety Guide Device(1)	機體外蓋與保護裝置(1)	3 ~ 4
Crankshaft Mechanism	傳動曲軸機構	5 ~ 6
Needle Drive Mechanism & Spreader Thread Handling(1)	針柱驅動機構及上飾線(1)	7 ~ 8
Spreader & Knife Drive Mechanism(1)	上飾驅動及切刀驅動機構(1)	9 ~ 10
Spreader & Knife Drive Mechanism(2)	上飾驅動及切刀驅動機構(2)	9-1 ~ 10-1
Spreader & Knife Drive Mechanism(3)(Fully Oil-Sealed)	上飾驅動及切刀驅動機構(3)(全密封型)	9-2 ~ 10-2
Looper Drive Mechanism	下勾針驅動機構	11 ~ 12
Top Cover & Looper Thread Handling(Optional)	上飾與下勾針線機構張力線緊(選購)	13-1 ~ 14-1
Accessories Of Decorative Stitch(Optional)	雙飾線配件組(選購)	13-2 ~ 14-2
Feed Mechanism(1-1)(Standard)	送料機構(1-1)(標準型)	15 ~ 16
Feed Mechanism(1-2)(Dual Differential Feed Ratio)	送料機構(1-2)(雙差動)	15-1 ~ 16-1
Feed Mechanism(1-3)(Fully Oil-Sealed)	送料機構(1-3)(全密封型)	15-2 ~ 16-2
Feed Mechanism (2-1)(Standard)	差動調節送料機構(2-1)(標準型)	17 ~ 18
Feed Mechanism (2-2)(Dual Differential Feed Ratio)	差動調節送料機構(2-2)(雙差動)	17-1 ~ 18-1
Presser Foot Driving Mechanism (1)(Standard)	壓腳驅動機構(1)(標準型)	19 ~ 20
Presser Foot Driving Mechanism (2)(Pneumatic Type)	壓腳驅動機構(2)(氣壓式)	19-1 ~ 20-1
SL-701-G0 & SL-701-G1 Single Edge Trimming(單切)	Presser Foot (without Groove)無溝押腳 Presser Foot (with Groove)有溝押腳	21-1 ~ 22-1 ~
SL-703-G3 & SL-703-G4 Double Edge Trimming(雙切) Presser Foot(押腳)		21-2 ~ 22-2
SL-703-G3T Double Edge Trimming(雙切) Presser Foot(押腳)		21-2T ~ 22-2T
SL-703A-G4 Double Edge Trimming(雙切) 1.0mm Stepped Presser Foot(1.0mm 段差押腳)		21-3 ~ 22-3
SL-703B-G4 Double Edge Trimming(雙切) 1.5mm Stepped Presser Foot(1.5mm 段差押腳)		~
SL-703-U Butt Seams (Double Edge Trimming)雙切(接縫) Presser Foot (without Groove)無溝押腳		21-4 ~ 22-4
SL-713-G0 Double Edge Trimming(雙切) Presser Foot (Long)(長押腳)		23-1 ~ 24-1
SL-713-G1 8mm Double Edge Trimming(雙切 8mm) Presser Foot(Long)(長押腳)		23-2 ~ 24-2
SL-713-G1 Double Edge Trimming(雙切) Presser Foot (Tape Attaching)(貼條喇叭押腳)		23-3 ~ 24-3
Thread Tension Mechanism	鬆線機構	25 ~ 26
Lubricating Mechanism	給油機構	27 ~ 28
Direct-drive Servo Motor & Venturi Device (Optional)	直驅馬達&吸風機構(選購)	31 ~ 32
Pneumatic Auto Lifter & Ventri Device	抬壓腳與收碎布機構	33 ~ 34
Mounting Assy & Clutch Motor(1)	固定座與傳動機構(1)	35-1 ~ 36-1
Mounting Assy & Clutch Motor(2)	固定座與傳動機構(2)	35-2 ~ 36-2
Mounting Assy & Clutch Motor(3)	固定座與傳動機構(3)	35-3 ~ 36-3
Presser Foot Driving Mechanism	抬押腳驅動機構	37 ~ 38
RF Device	送料延昇機構	39 ~ 40
SL-703G2x452 & SL-703G2x460 Double Edge Trimming(雙切) Presser Foot(押腳)		41-1 ~ 42-1
SL-703G2Nx452 & SL-703G2Nx460 Double Edge Trimming(雙切) Presser Foot(押腳)		41-1-1 ~ 42-1-1
SL-703G2Hx452 & SL-703G2Hx460 Double Edge Trimming(雙切) Presser Foot(H)押腳(加寬)		41-2 ~ 42-2
SL-703G0Hx452 & SL-703G0Hx460 Double Edge Trimming(雙切) Presser Foot(H)加寬押腳, 車保暖衣		41-3 ~ 42-3
SL-701-G5x460 Single Edge Trimming(單切) Presser Foot(押腳), 車潛水衣		41-4 ~ 42-4
SL-7**-G5x480 Single Edge Trimming(單切) Presser Foot(Long)(長押腳), 車潛水		~
SL-700-G6x480 Single Edge Trimming(單切) Presser Foot(押腳), 車潛水衣		41-5 ~ 42-5
Mounting Assy & Clutch Motor(4)	固定座與傳動機構(4)	43 ~ 44
Attachment Box	附件盒	45 ~ 46
Accessories	附件箱	47 ~ 48

1



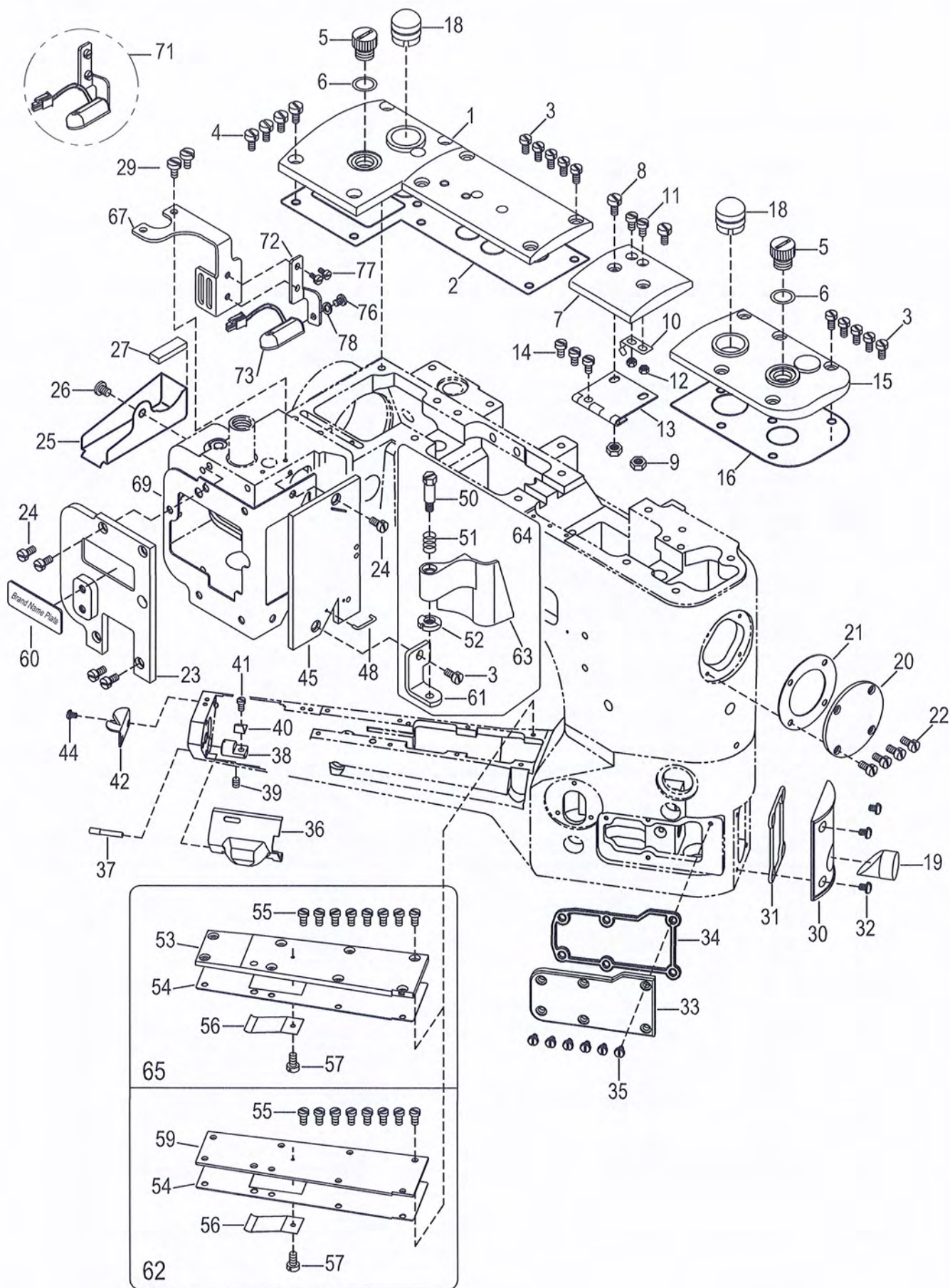
Machine Bed Frame & Bushing(1)

機體結合機構與銅套(1)

2

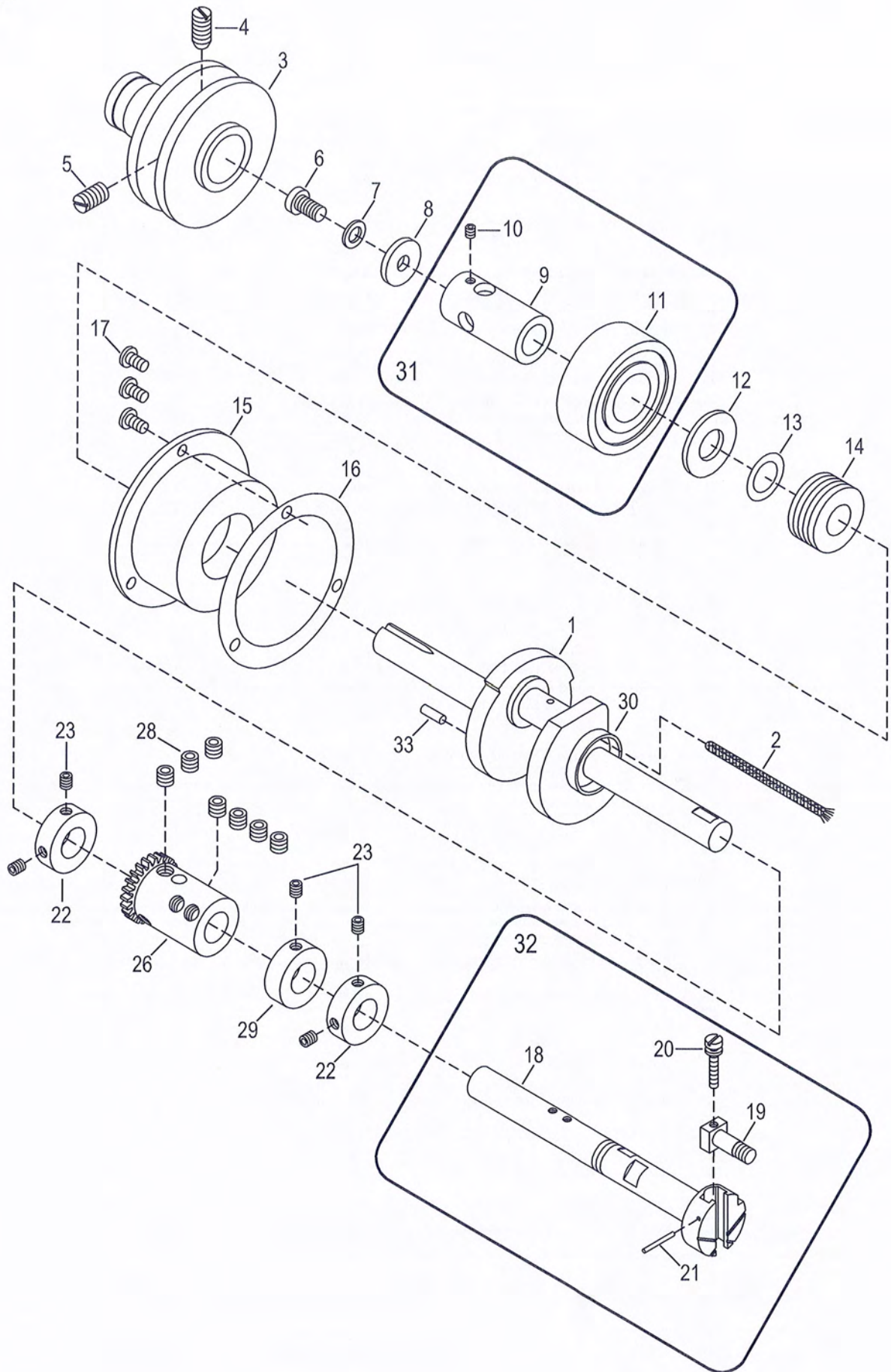
Ref. No.	Parts No.	Description	產品名稱	Amt. Req.
1	J0201-1	Pin	插銷	1
2	J0202	Spacer	隔片	1
3	GA29	Screw (M6-1.0 × 20)	螺絲	1
4	J0204	Screw (M6-1.0 × 35)	螺絲	2
5	15-39	Spring Washer	彈簧華司	3
6	J0206	Pin	定位銷	1
7	J0207	Screw (SM 11/64-40 × 5)	螺絲	2
8	J0208	Oil String	油蕊	1
9	J0209	Oil String	油蕊	1
10	J0210	Oil Guard	導油片	1
11	J0211	Oil Felt	吸油氈	2
12	J0212	Needle Bar Bushing (Upper)	針柱套管(上)	1
13	J0213-1	Spreader Bushing	上飾線結線套管	1
14	J0214	Oil String	油線	1
15				
16	J0216	Supporting Wire	固定鐵線	1
17	J0217	Screw (SM 11/64-40 × 5.5)	螺絲	1
18				
19	J0219-1	Oil Seal	方徑油環	1
20	J0220	Screw (M14-1.5 × 7)	螺絲	1
21	J0221	Thread Guide	導線管	1
22	J0222	Thread Guide	導線架	1
23	J0223-1	Screw (M22-1.5 × 6)	螺絲	1
24	J0224	Bushing	套管	1
25	J0225-1	Pin	插銷	2
26	J0226	Pin	插銷	1
27	J0227	Oil Seal	油封	2
28	J0228-1	Screw (M22-1.5 × 4.8)	螺絲	1
29	J0229	Gasket	止油墊圈	1
30	J0230	Screw (SM 3/8-28 × 4)	螺絲	1
31	J0231	O Ring	上下結合止油環	1
32	J0232	Screw (SM 5/16-24 × 24)	螺絲	3
33	J0233	Spring Washer	彈簧華司	3
34	J0234	Rivet	鉚釘	4
35		Brand Name Plate	號碼牌	1
36				
37		Series Number Plate	型號牌	1
38		Brand Name Plate	名牌	1
39	J0239	Washer	墊片	1
42	J0242-3	Connecting Rod Bushing (Right)	連桿銅套(右)盲孔	1
43	J0243	Connecting Rod Bushing (Left)	連桿銅套(左)	1
44	J0244	Bushing (Rear)	上部銅套(後段)	1
45	J0245-1	Bushing (Middle)	上部銅套(中間)	1
46	J0246	Bushing (Front)	上部銅套(前段)	1
47	J0247-1	Needle Bar Bushing (Lower)	針柱套管(下)	1
48	J0248	Bushing	下部銅套	1
49	J0249-1	Lower Frame Unit	機體下座	1
50	J0250	Bushing	下部銅套	1
51	J0251	Oil Felt	O型吸油氈	1
52	J0252	Upper Frame Unit	機體上座	1
53	J0253-1	Front Frame Unit	機體前座	1
54	J0254	Oil Seal	油封	1
55	J0220-1	Screw (M14-1.5 × 10)	螺絲	1
56	J0256	Gasket	止油墊圈	1
57	J0257-1	Support Wire	G型鐵線	1
58	J2829	O Ring Ø12.7×Ø18×3	油封	1
59	J0259	Screw (SM 9/64-40 × 9)	螺絲	1
60				
61	J0261	Oil Pipe	銅管	1
62	J0262	Oil Tube Clamp	油管束子	1
63	J0263	Flat Spring	彈簧	1
64	J0264	Gasket	羊毛氈	1
65	J2869	Seal Plug	塑膠塞	1
66				
67	J0267	Screw (SM 3/8-28 × 10.5)	螺絲	2
74	J0274	Pin	喇叭銷	1

3



Cover and Safety Guide Device(1)			機體外蓋與保護裝置(1)	4
Ref. No.	Parts No.	Description	產品名稱	Amt. Req.
1	J0401-2	Top Cover (Left)	上蓋(左)	1
2	J0402-3	O Ring	止油環	1
3	J0403	Screw (SM 11/64-40 × 12)	螺絲	10
4	J0404	Screw (SM 3/16-32 × 9)	螺絲	4
5	J0405	Screw (SM 7/16-28)	注油螺絲	2
6	J0406	Gasket	止油墊圈	2
7	J0407	Top Cover (Center)	上蓋中間	1
8	J0408	Screw (SM 9/64-40 × 8)	螺絲	2
9	NF12	Nut (SM 11/64-40)	螺母	2
10	J0410	Spring	定位扣簧	1
11	J0411	Screw (SM 9/64-40 × 7)	螺絲	2
12	J0412	Nut (SM 9/64-40)	螺母	2
13	J0413	Hinge	樞紐組	1
14	J0414	Screw (SM 9/64-40 × 6)	螺絲	3
15	J0415-1	Top Cover (Right)	上蓋(右)	1
16	J0416-4	O Ring	止油環	1
17	RF12-1	Seal Plug	膠塞	1
18	J0418	Oil Sight Window	外視油鏡	2
19	J0419	Oil Sight Gauge	外視油量計	1
20	J0420	Front Cover	前蓋	1
21	J0421-1	Gasket	止油墊圈	1
22	J0422	Screw (SM 9/64-40 × 4.8)	螺絲	4
23	J0423-6	Bed Cover (Left)	名牌前蓋(左)	1
24	J0424	Screw (SM 11/64-40 × 7.5)	螺絲	6
25	J0425	Oil Release Plate	導油板	1
26	J0426	Screw (SM 11/64-40 × 4)	螺絲	1
27	J0427	Felt	油氈墊	1
28				
29	J0429	Screw (SM 9/64-40 × 5)	螺絲	2
30	J0430	Oil Indicator Cover (Front)	油量計蓋	1
31	J0431	O Ring	止油環	1
32	J0432	Screw (SM 9/64-40 × 6.3)	螺絲	4
33	J0433-1	Cylinder Side Cover	調節側蓋	1
34	J0434	O Ring	止油環	1
35	J0435	Screw (SM 9/64-40 × 9)	螺絲	6
36	J0436-1	Looper Cover	下勾針蓋	1
37	J0437	Screw (SM 9/64-40)	樞紐定位螺絲	1
38	J0438	Bracket	托架	1
39	J0207	Screw (SM 11/64-40 × 5)	螺絲	1
40	J0440	Flat Spring	彈簧片	1
41	J0441	Screw (SM 9/64-40 × 5)	螺絲	1
42	J0442-1	Chain Cutter	手割刀	1
43				
44	J0444	Screw (SM 9/64-40 × 8)	螺絲	2
45	J0445-1	Bed Cover (Front)	揚線器蓋	1
46				
47				
48	J0448	Needle Thread Guide	針錐導線	1
49				
50	J0450	Screw (SM 3/16-32 × 20)	螺栓	1
51	J0451	Spring	彈簧	1
52	J0452	Location Ring	定位環	1
53	J0453-2	Single Trimming Bed	單切平台	1
54	J0454-2	Gasket	止油墊片	1
55	J0455	Screw (SM 9/64-40 × 8.5)	螺絲	8
56	J0456	Spring	彈簧片	1
57	J0457	Screw (SM 3/32-56 × 1.7)	螺絲	1
58				
59	J0459-1	Lower Base Cover	下座上蓋	1
60	J0460-5	Brand Name Plate	名牌	1
61	J0461	Bracket	托架	1
62	J0462	Trimming Lower Base Cover Ass	雙切下座上蓋組	1
63	J0463	Finger Safety Guide	護指保護蓋	1
64	J0464	Safety Cover Assy (Long)	保護蓋整組(長)	1
65	J0465	Single Trimming Bed Assy	單切平台整組	1
66				
67	J0467	Thread Take-Up Cover	提線蓋	1
69	J0469-1	Gasket	止油墊片	1
70				
71	LED-8/SL	LED Assy(Optional)	LED燈組(選購)	1
72	J0472	Lamp Holder(Optional)	燈架(選購)	1
73	LED-700	LED(Optional)	LED燈(選購)	1
74				
75				
76	GW19	Screw (M4-0.7 × 8)(Optional)	螺絲(選購)	1
77	18-21	Screw (M4-0.7 × 6)(Optional)	螺絲(選購)	2
78	SW03	Spring Washer(Optional)	彈簧華司(選購)	1

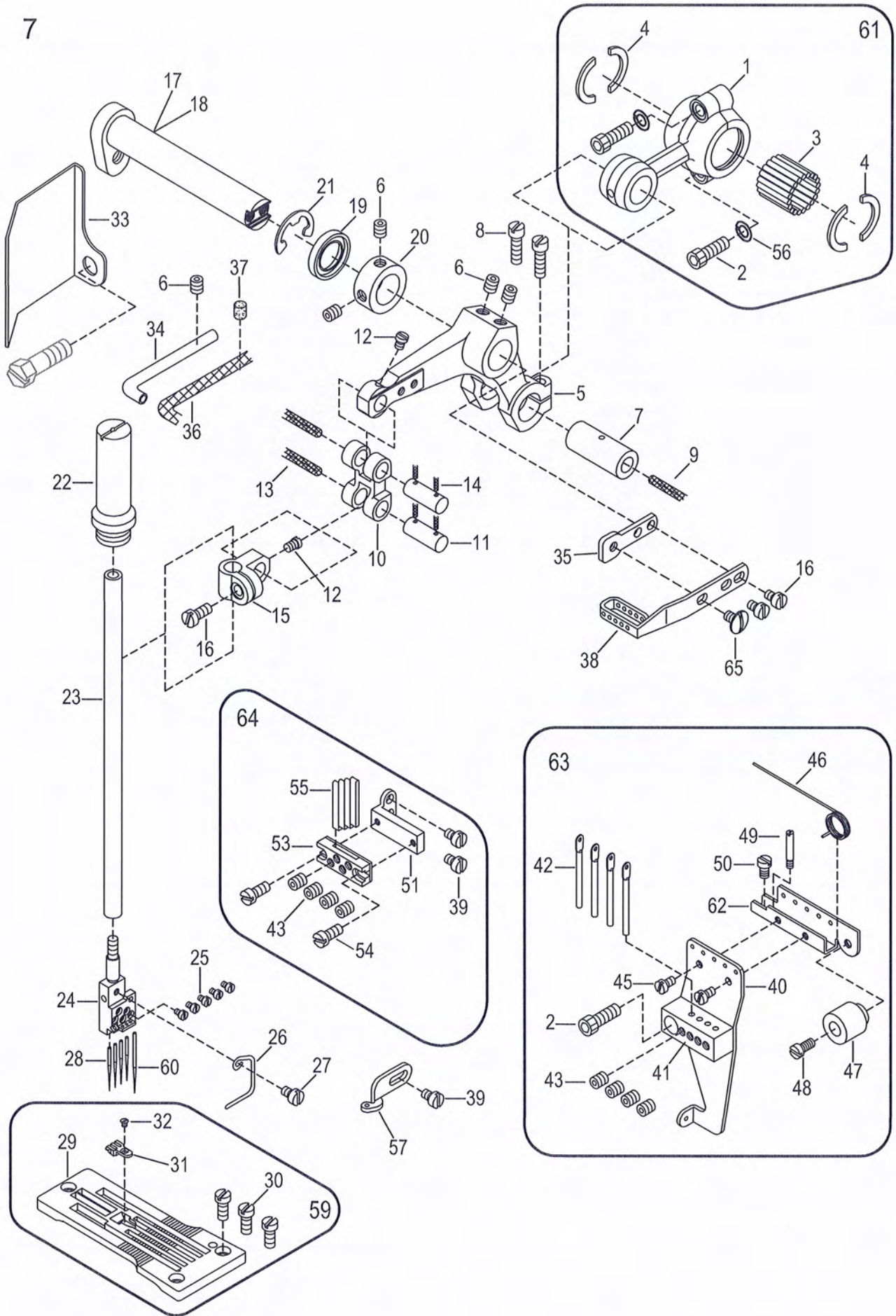
5



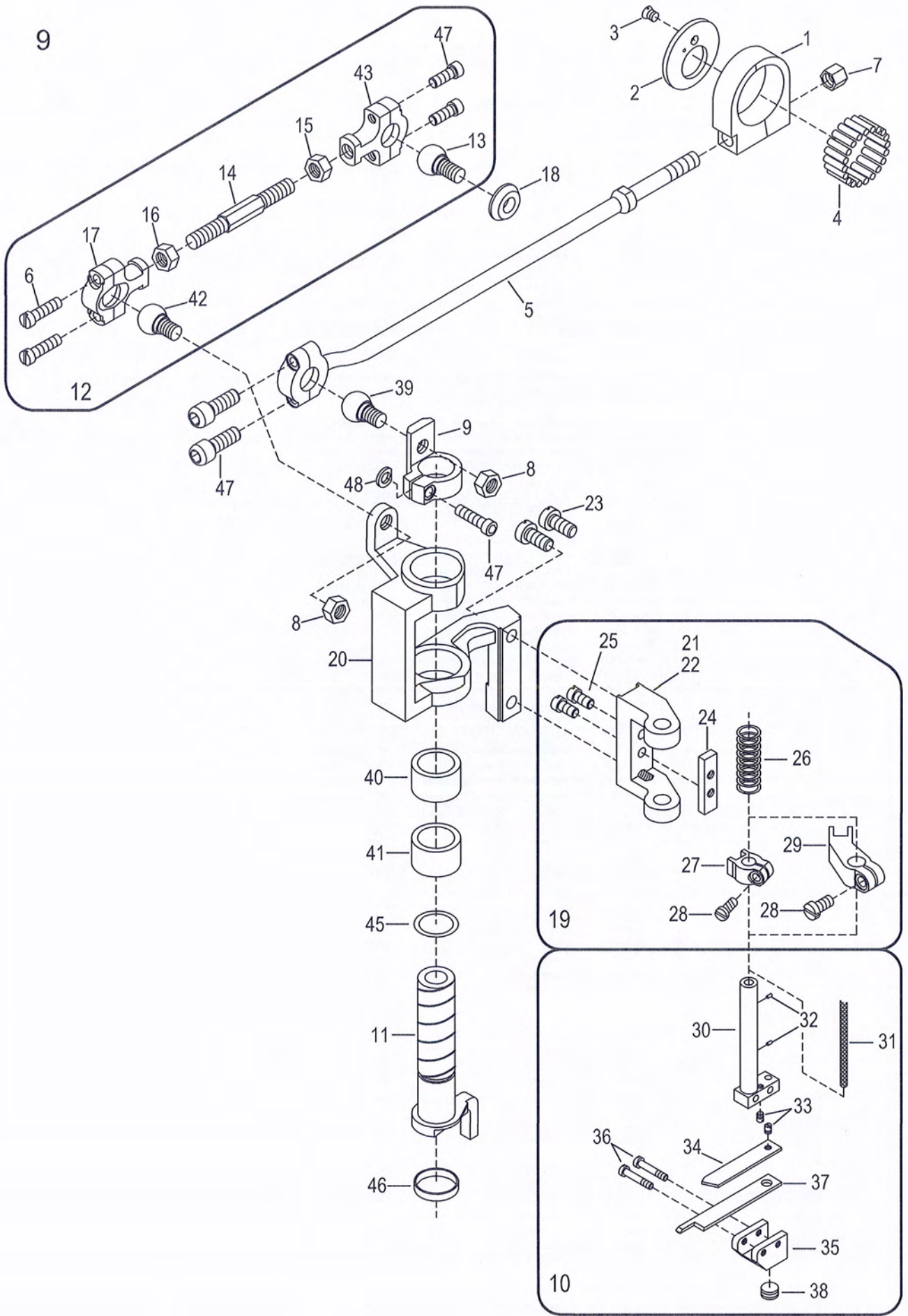
Crankshaft Mechanism**傳動曲軸機構****6**

Ref. No.	Parts No.	Description	產品名稱	Amt. Req.
1	J0601	Crankshaft	曲軸	1
2	J0602	Oil String	油蕊	1
3	J0603	Machine Pulley	手推皮帶輪	1
4	J0604	Screw (SM 9/32-28 × 15)	螺絲(尖)	1
5	J0605	Screw (SM 9/32-28 × 13)	螺絲	1
6	J0606	Screw (SM 15/64-28 × 11)	螺絲	1
7	15-39	Spring Washer	彈簧華司	1
8	J0608	Washer	墊片	1
9	J0609	Collar	定位軸套	1
10	J0610	Screw (SM 9/64-40 × 4)	螺絲	1
11	VE10	Ball Bearing	滾珠培林	1
12	J0612	Washer	墊片	1
13	J0613	O Ring	止油O型環	1
14	J0614	Oil Seal	回油輪	1
15	J0615	Connecting Rod	培林殼	1
16	J0616	Gasket	止油墊圈	1
17	J0408	Screw (SM 11/64-40 × 8)	螺絲	3
18	J0618-2	Arm Shaft	調節擺動軸	1
19	J0619	Screw (M6-1.0)	方形固定螺絲(左)	1
20	J0620	Screw (SM 1/8-44 × 16.4)	調節螺絲	1
21	J0621	Spring Pin	彈簧插銷	1
22	J0622-1	Collar	定位環	2
23	J0207	Screw (SM 11/64-40 × 5)	螺絲	6
24				
25				
26	J0626-2	Gear (Large)	齒輪	1
27				
28	SF240	Screw (M6-1.0 × 6)	螺絲	9
29	J0629	Collar	限位環	1
30	J0630	Oil Stopper	止油套	1
31	J0631	Bearing Set	培林組	1
32	J0632	Arm Shaft Assy	調節擺動組	1
33	J0633	Pin	插銷	1

7



Needle Drive Mechanism & Spreader Thread Handling(1)			針柱驅動機構及上飾線(1)	8
Ref.	Parts			Amt.
No.	No.	Description	產品名稱	Req.
1	J0801	Rod	針棒連桿	1
2	J0802	Screw (SM 11/64-40 × 6.3)	螺絲	3
3	J0803	Pin	針狀培林	23
4	J0804	Stopper	擋片	2
5	J0805-1	Lever	連動槓桿	1
6	J0207	Screw (SM 11/64-40 × 5)	螺絲	5
7	J0807	Pin	連動銷	1
8	J0808	Screw (SM 9/64-40 × 12)	螺絲	2
9	J0809	Oil String	油蕊	1
10	J0810	Link	連接器	1
11	J0811-1	Pin	連接銷	2
12	GE48	Screw (SM 1/8-44 × 4)	螺絲	2
13	J0813	Oil String	油蕊	2
14	J0814	Oil String	油蕊	4
15	J0815	Needle Bar Clamp	針柱夾塊	1
16	J0816	Screw (SM 9/64-40 × 8)	螺絲	3
17	J0817-1	Crankshaft	曲軸(長) 13m/短桿腳用	1
18	J0818-1	Crankshaft	曲軸(短) 11.3m/長桿腳用	1
19	J0819-1	Oil Seal	油封	1
20	J0820	Collar	定位環	1
21	J3623	Ring	扣環	1
22	J0822	Needle Bar Cap	針棒護套	1
23	J0823	Needle Bar	針棒	1
24-1	J0824-48-14	Needle Holder 448(Optional)	針腳 448(選購)	
24-2	J0824-4525	Needle Holder 452(Optional)	針腳 452(選購)	
24-3	J0824-4605	Needle Holder 460(Optional)	針腳 460(選購)	
24-4	J0824-464	Needle Holder 464(Optional)	針腳 464(選購)	
24-5	J0824-4692	Needle Holder 469(Optional)	針腳 469(選購)	1
24-6	J0824-4802	Needle Holder 480(Optional)	針腳 480(選購)	
24-7	J0824-552	Needle Holder 552(Optional)	針腳 552(選購)	
24-8	J0824-560	Needle Holder 560(Optional)	針腳 560(選購)	
24-9	J0824-570	Needle Holder 570(Optional)	針腳 570(選購)	
25	J0825	Screw (SM 3/32-56 × 2.6)	螺絲	5
26	J0826-1	Thread Guide	針線固定線	1
27	SV104	Screw (SM 3/32-56 × 5)	螺絲	1
28	FL118GCS 75/11-1	Needle	針 · UY118 GKS-75	4
29-1	J0829S4524	Needle Plate- S452(Optional)	針板 (短)452(選購)	
29-2	J0829S4604	Needle Plate- S460(Optional)	針板 (短)460(選購)	
29-3	J0829S464	Needle Plate- S464(Optional)	針板 (短)464(選購)	
29-4	J0829L4521	Needle Plate- L452(Optional)	針板 (長)452(選購)	
29-5	J0829L4601	Needle Plate- L460(Optional)	針板 (長)460(選購)	
29-6	J0829A1-4521	Stepped Needle Plate-A1(452)(Optional)	針板 (短)段差1mm(452)(選購)	1
29-7	J0829A1-4601	Stepped Needle Plate-A1(460)(Optional)	針板 (短)段差1mm(460)(選購)	
29-8	J0829B1.5-452	Stepped Needle Plate-B1.5(452)(Optional)	針板 (短)段差1.5mm(452)(選購)	
29-9	J0829B1.5-460	Stepped Needle Plate-B1.5(460)(Optional)	針板 (短)段差1.5mm(460)(選購)	
29-10	J0829L-469	Needle Plate- 469(Optional)	針板 (469)(選購)	
29-11	J0829L-480	Needle Plate- 480(Optional)	針板 (480)(選購)	
30	J0830	Screw (SM 9/64-40 × 7.5)	螺絲	3
31-1	J0831-4521	Needle Plate Finger-452(Optional)	針板舌 452(選購)	
31-2	J0831-4601	Needle Plate Finger-460(Optional)	針板舌 460(選購)	
31-3	J0831-464	Needle Plate Finger-464(Optional)	針板舌 464(選購)	1
31-4	J0831-469	Needle Plate Finger-469(Optional)	針板舌 469(選購)	
31-5	J0831L480	Needle Plate Finger-480(Optional)	針板舌 480(選購)	
32	J0832-1	Screw (SM 3/32-56 × 2.7)	螺絲	1
33	J0833	Oil Shield	導油蓋	1
34	J0834-1	Pipe	導油蕊管	1
35	J0835	Washer	長方形墊片	1
36	J0836	Oil String	油蕊	1
37	J0837	Oil Felt	油壓墊	1
38	J0838-3	Thread Take-up Unit	揚線器	1
39	J0839	Screw (SM 1/8-44 × 4.5)	螺絲	3
40	J0840-1	Bracket	針線托架	1
41	J0841-1	Thread Guide Base	導線棒固定座	1
42	FK30	Thread Guide	導線棒	5
43	SF106	Screw (SM 1/8-44 × 2.8)	螺絲	9
44				
45	SF205	Screw (M2.6-0.45 × 5)	螺絲	2
46	J0846-1	Spring	鬆線彈簧	1
47	FK32	Spring	鬆線彈簧固定鈕	1
48	SF108	Screw (SM 1/8-44 × 6.5)	螺絲	1
49	SF201	Screw (M2.3-0.4 × 3.5)	螺絲	1
50	SF107	Screw (SM 1/8-44 × 5)	螺絲	1
51	J0851-1	Bracket	托架	1
52				
53	J0853-1	Bracket	鬆線棒固定座	1
54	J0627	Screw (SM 3/32-56 × 6)	螺絲	2
55	J0855	Thread Guide	鬆線棒	5
56	SW4.5	Spring Washer	彈簧墊圈	2
57	J0857	Spring Washer	過線板	1
58				
59	J0859	Stitch Plate Assy	針板組	1
60	J0860	Needle	定位針	1
61	J0861	Connecting Unit Assy	進桿組	1
62	J0862	Bracket	導線托架	1
63	J0863	Needle Thread Guide Assy	針線導線組	1
64	J0864	Thread Guide Assy	鬆線棒整組	1
65	SF118	Screw (SM 9/64-40 × 4)	螺絲	1



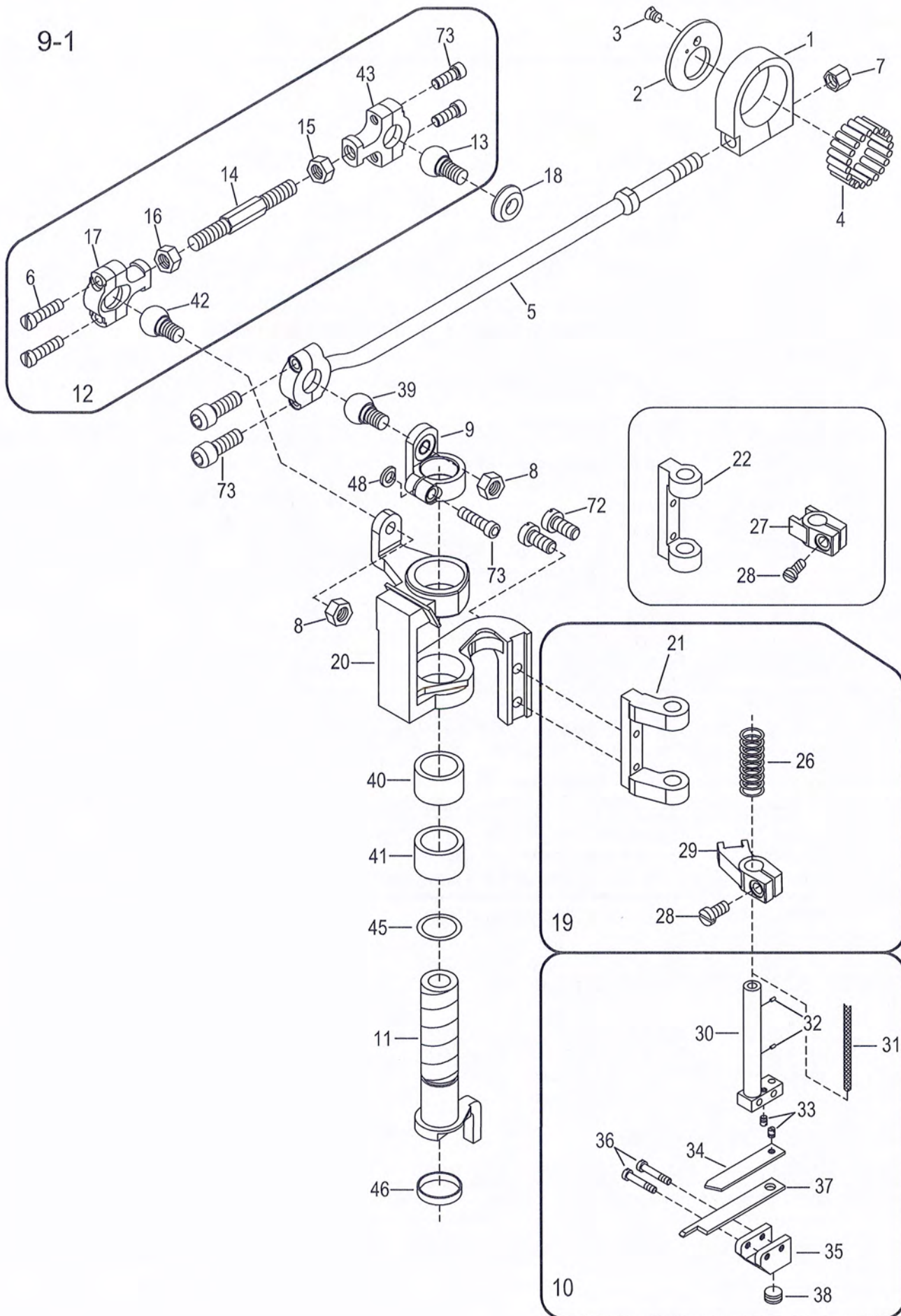
Spreader & Knife Drive Mechanism(1)

上飾驅動及切刀驅動機構(1)

10

Ref. No.	Parts No.	Description	產品名稱	Amt. Req.
1	J1001	Rod	培林殼	1
2	J1002	Washer	培林蓋	1
3	J1003	Screw (SM 1/8-44 × 5.5)	螺絲	1
4	J1004	Pin	滾針培林	27
5	J1005-1	Connection Rod	連結桿	1
6	J1006	Screw (SM 9/64-40 × 10)	螺絲	2
7	J1007	Nut (SM 7/32-32)	螺母	1
8	J1008	Nut (SM 7/32-32)	螺母	2
9	J1009	Lever	擺桿	1
10	J1010	Upper Knife Assy	修刀固定組	1
11	J1011-4	Crankshaft	揚飾線曲軸	1
12	J1012	Connection Bar Assy	萬向連桿組	1
13	J1013	Crankshaft Driving Lever	曲軸傳動珠軸	1
14	J1014	Rod	左右牙連接桿	1
15	J1220	Nut (SM 7/32-32) (Left)	螺母(左)	1
16	J1221	Nut (SM 7/32-32)	螺母	1
17	J1017	Ball Lever Housing	珠殼	1
18	J1018	Guide	平行塊	1
19	J1019	Upper Knife Bracket Assy	修刀驅動桿固定座整組	1
20	J1020-2	Upper Knife Lever	修刀驅動桿	1
21	J1021	Bracket	修刀固定托架(長)	1
22	J1022-1	Bracket	修刀固定托架(短)	1
23	J0403	Screw (SM 11/64-40 × 12)	螺絲	2
24	J1024	Guide Plate (Knife Lever)	固定片	1
25	J1025	Screw (SM 1/8-44 × 7)	螺絲	2
26	J1026	Spring	彈簧	1
27	J1027	Upper Knife Guide (Short)	修刀固定臂(短)	1
28	J0816	Screw (SM 9/64-40 × 8)	螺絲	2
29	J1029	Upper Knife Guide (Long)	修刀固定臂(長)	1
30-1	J1030	Crankshaft (Standard)	修刀固定軸(標準型)	1
30-2	J1030-8	Crankshaft (Widen Type)(Optional)	修刀固定軸 (加寬)(選購)	1
31	J1031	Oil String	油蕊	1
32	J1032	Oil String	油蕊	2
33	J1033-1	Screw (SM 3/32-56 × 4.2)	螺絲	2
34-1	J1034	Upper Knife Auxiliary Plate (Standard)	修刀輔助板(標準型)	1
34-2	J1034-8	Upper Knife Auxiliary Plate (Widen Type)(Optional)	修刀輔助板 (加寬型)(選購)	1
35-1	J1035	Upper Knife Clamp (Standard)	修刀夾塊(標準型)	1
35-2	J1035-8	Upper Knife Clamp (Widen Type)(Optional)	修刀夾塊 (加寬型)(選購)	1
36-1	J1036	Screw (SM 3/32-56 × 4)(Standard)	螺絲(標準型)	2
36-2	J1036-8	Screw (SM 3/32-56 × 3.5)(Widen Type)(Optional)	螺絲 (加寬型)(選購)	2
37-1	J1037-R1	Upper Knife (Standard)	上修刀(標準型)	1
37-2	J1037-8	Upper Knife (Widen Type)(Optional)	上修刀 (加寬型)(選購)	1
38	J1038	Screw (SM 1/4-40 × 4.5)	螺絲	1
39	J1039	Loopre Driving Lever	勾針珠球	1
40	J1040	Knife Driving Bushing (Upper)	修刀驅動桿銅套(上)	1
41	J1041-1	Knife Driving Bushing (Lower)	修刀驅動桿銅套(下)	1
42	J1042	Knife Driving Lever	修刀驅動珠軸	1
43	J1043	Connecting Rod (Left)	珠殼(左)	1
44				
45	J1045	Washer	墊片	1
46	J1046-1	O Ring 3×Ø 8.1×Ø 15	油封	1
47	J1006-1	Screw (SM 9/64-40 × 10)	螺絲	5

9-1



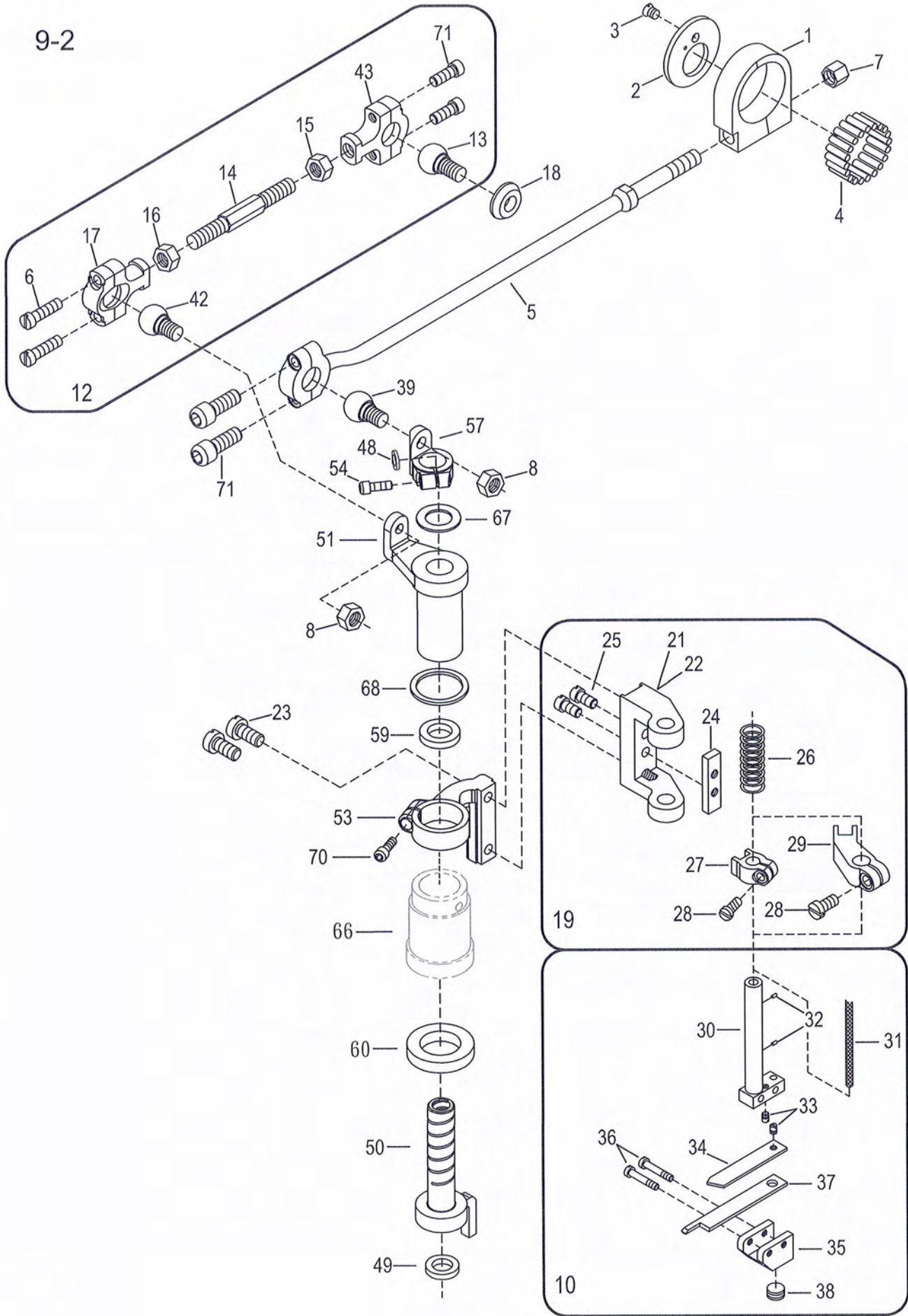
Spreader & Knife Drive Mechanism(2)

上飾驅動及切刀驅動機構(2)

10-1

Ref. No.	Parts No.	Description	產品名稱	Amt. Req.
1	J1001	Rod	培林殼	1
2	J1002	Washer	培林蓋	1
3	J1003	Screw (SM 1/8-44 × 5.5)	螺絲	1
4	J1004	Pin	滾針培林	27
5	J1005-1	Connection Rod	連結桿	1
6	J1006	Screw (SM 9/64-40 × 10)	螺絲	2
7	J1007	Nut (SM 7/32-32)	螺母	1
8	J1008	Nut (SM 7/32-32)	螺母	2
9	J1009-R	Lever	擺桿	1
10	J1010	Upper Knife Assy	修刀固定組	1
11	J1011-4	Crankshaft	揚飾線曲軸	1
12	J1012	Connection Bar Assy	萬向連桿組	1
13	J1013	Crankshaft Driving Lever	曲軸傳動珠軸	1
14	J1014	Rod	左右牙連接桿	1
15	J1220	Nut (SM 7/32-32) (Left)	螺母(左)	1
16	J1221	Nut (SM 7/32-32)	螺母	1
17	J1017	Ball Lever Housing	珠殼	1
18	J1018	Guide	平行塊	1
19	J1019	Upper Knife Bracket Assy	修刀驅動桿固定座整組	1
20	J1020-R	Upper Knife Lever	修刀驅動桿	1
21	J1021-R	Bracket	修刀固定托架(長)	1
22	J1022-R	Bracket	修刀固定托架(短)	1
25				
26	J1026-R	Spring	彈簧	1
28	J0816	Screw (SM 9/64-40 × 8)	螺絲	2
27	J1027-R	Upper Knife Guide (Short)	修刀固定臂(短)	1
29	J1029-R	Upper Knife Guide (Long)	修刀固定臂(長)	1
30-1	J1030	Crankshaft (Standard)	修刀固定軸(標準型)	1
30-2	J1030-8	Crankshaft (Widen Type)(Optional)	修刀固定軸(加寬)(選購)	1
31	J1031	Oil String	油蕊	1
32	J1032	Oil String	油蕊	2
33	J1033-1	Screw (SM 3/32-56 × 4.2)	螺絲	2
34-1	J1034-2	Upper Knife Auxiliary Plate (Standard)	修刀輔助板(標準型)	1
34-2	J1034-81	Upper Knife Auxiliary Plate (Widen Type)(Optional)	修刀輔助板(加寬型)(選購)	1
35-1	J1035-R	Upper Knife Clamp (Standard)	修刀夾塊(標準型)	1
35-2	J1035-R8	Upper Knife Clamp (Widen Type)(Optional)	修刀夾塊(加寬型)(選購)	1
36-1	J1036	Screw (SM 3/32-56 × 4)(Standard)	螺絲(標準型)	2
36-2	J1036-8	Screw (SM 3/32-56 × 3.5)(Widen Type)(Optional)	螺絲(加寬型)(選購)	2
37-1	J1037-R1	Upper Knife (Standard)	上修刀(標準型)	1
37-2	J1037-8	Upper Knife (Widen Type)(Optional)	上修刀(加寬型)(選購)	1
38	J1038	Screw (SM 1/4-40 × 4.5)	螺絲	1
39	J1039	Loopre Driving Lever	勾針珠球	1
40	J1040	Knife Driving Bushing (Upper)	修刀驅動桿銅套(上)	1
41	J1041-1	Knife Driving Bushing (Lower)	修刀驅動桿銅套(下)	1
42	J1042	Knife Driving Lever	修刀驅動珠軸	1
43	J1043	Connecting Rod (Left)	珠殼(左)	1
44				
45	J1045	Washer	墊片	1
46	J1046-1	O Ring 3×Ø 8.1×Ø 15	油封	1
72	J1072	Screw (SM 9/64-40 × 8)	螺絲	2
73	J1006-1	Screw (SM 9/64-40 × 10)	螺絲	5

9-2

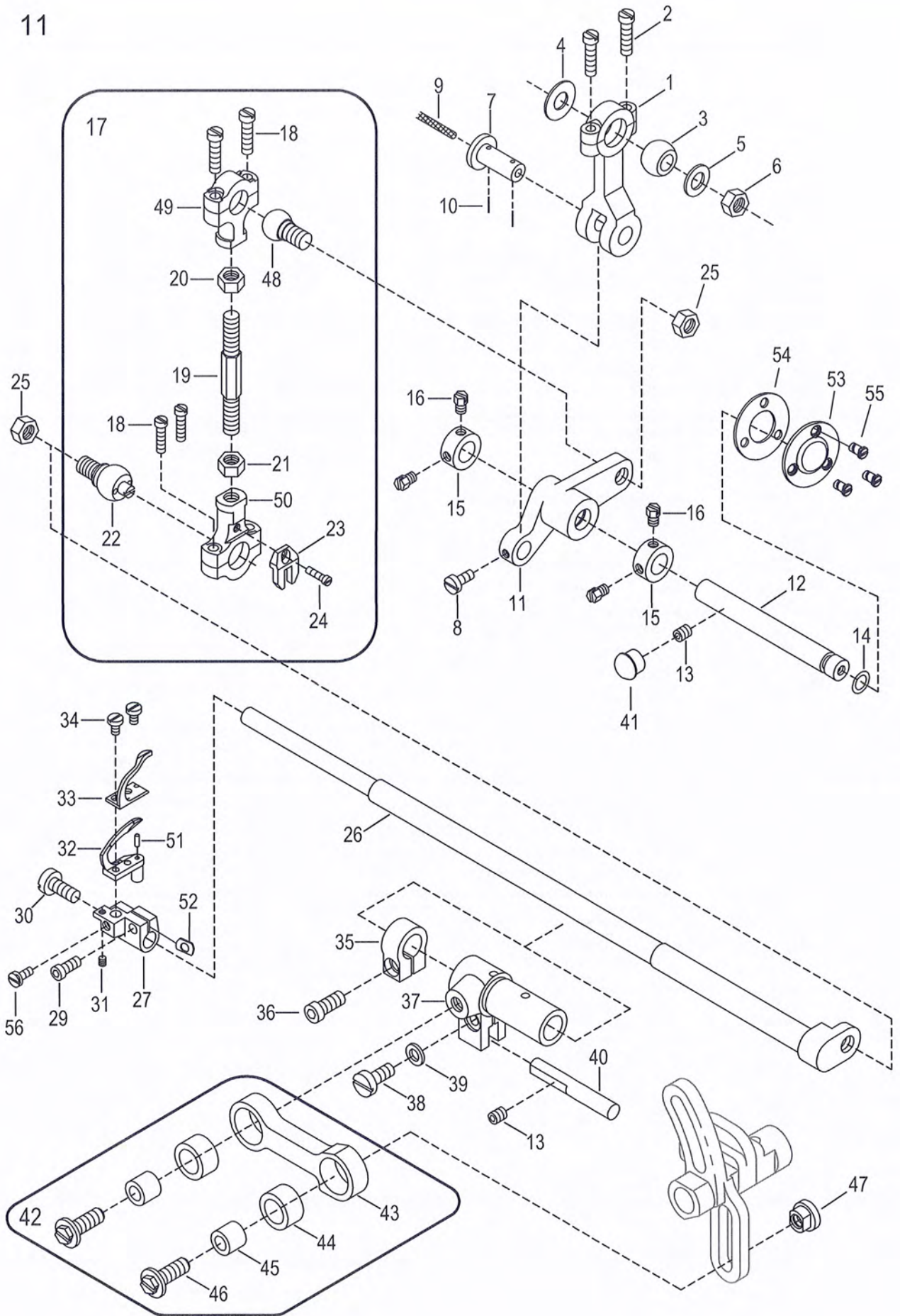


Spreader & Knife Drive Mechanism(3)(Fully Oil-Sealed)

上飾驅動及切刀驅動機構(3)(全密封型)

10-2

Ref. No.	Parts No.	Description	產品名稱	Amt. Req.
1	J1001	Rod	培林殼	1
2	J1002	Washer	培林蓋	1
3	J1003	Screw (SM 1/8-44 × 5.5)	螺絲	1
4	J1004	Pin	滾針培林	27
5	J1005-1	Connection Rod	連結桿	1
6	J1006	Screw (SM 9/64-40 × 10)	螺絲	2
7	J1007	Nut (SM 7/32-32)	螺母	1
8	J1008	Nut (SM 7/32-32)	螺母	2
10	J1010	Upper Knife Assy	修刀固定組	1
12	J1012	Connection Bar Assy	萬向連桿組	1
13	J1013	Crankshaft Driving Lever	曲軸傳動珠軸	1
14	J1014	Rod	左右牙連接桿	1
15	J1220	Nut (SM 7/32-32) (Left)	螺母(左)	1
16	J1221	Nut (SM 7/32-32)	螺母	1
17	J1017	Ball Lever Housing	珠殼	1
18	J1018	Guide	平行塊	1
19	J1019	Upper Knife Bracket Assy	修刀驅動桿固定座整組	1
21	J1021	Bracket	修刀固定托架(長)	1
22	J1022-1	Bracket	修刀固定托架(短)	1
23	J0403	Screw (SM 11/64-40 × 12)	螺絲	2
24	J1024	Guide Plate (Knife Lever)	固定片	1
25	J1025	Screw (SM 1/8-44 × 7)	螺絲	2
26	J1026	Spring	彈簧	1
27	J1027	Upper Knife Guide (Short)	修刀固定臂(短)	1
28	J0816	Screw (SM 9/64-40 × 8)	螺絲	2
29	J1029	Upper Knife Guide (Long)	修刀固定臂(長)	1
30-1	J1030	Crankshaft (Standard)	修刀固定軸(標準型)	1
30-2	J1030-8	Crankshaft (Widen Type)(Optional)	修刀固定軸(加寬型)(選購)	1
31	J1031	Oil String	油蕊	1
32	J1032	Oil String	油蕊	2
33	J1033-1	Screw (SM 3/32-56 × 4.2)	螺絲	2
34-1	J1034	Upper Knife Auxiliary Plate (Standard)	修刀輔助板(標準型)	1
34-2	J1034-8	Upper Knife Auxiliary Plate (Widen Type)(Optional)	修刀輔助板(加寬型)(選購)	1
35-1	J1035	Upper Knife Clamp (Standard)	修刀夾塊(標準型)	1
35-2	J1035-8	Upper Knife Clamp (Widen Type)(Optional)	修刀夾塊(加寬型)(選購)	1
36-1	J1036	Screw (SM 3/32-56 × 4)(Standard)	螺絲(標準型)	2
36-2	J1036-8	Screw (SM 3/32-56 × 3.5)(Widen Type)(Optional)	螺絲(加寬型)(選購)	2
37-1	J1037-R1	Upper Knife (Standard)	上修刀(標準型)	1
37-2	J1037-8	Upper Knife (Widen Type)(Optional)	上修刀(加寬型)(選購)	1
38	J1038	Screw (SM 1/4-40 × 4.5)	螺絲	1
39	J1039	Loopre Driving Lever	勾針珠球	1
42	J1042	Knife Driving Lever	修刀驅動珠軸	1
48	VJ05	Seal	紅墊片	1
43	J1043	Connecting Rod (Left)	珠殼(左)	1
49	D1724	O Ring	油封	1
50	J1050-1	Crankshaft	揚飾線曲軸	1
51	J1051-1	Upper Knife Lever	修刀驅動桿(上)	1
53	J1053-R	Upper Knife Lever	修刀驅動桿(下)	1
54	SF226	Screw (M4-0.7 × 12)	螺絲	1
57	J1057	Lever	擺桿	1
59	J1059	O Ring	油封	1
60	J1060	O Ring	油封	1
66	J1066	Bushing	銅套	1
67	J1067	Washer	墊片	1
68	J1068	Washer	墊片	1
70	J1070	Screw (M5-0.8 × 14)	螺絲	1
71	J1006	Screw (SM 9/64-40 × 10)	螺絲	4



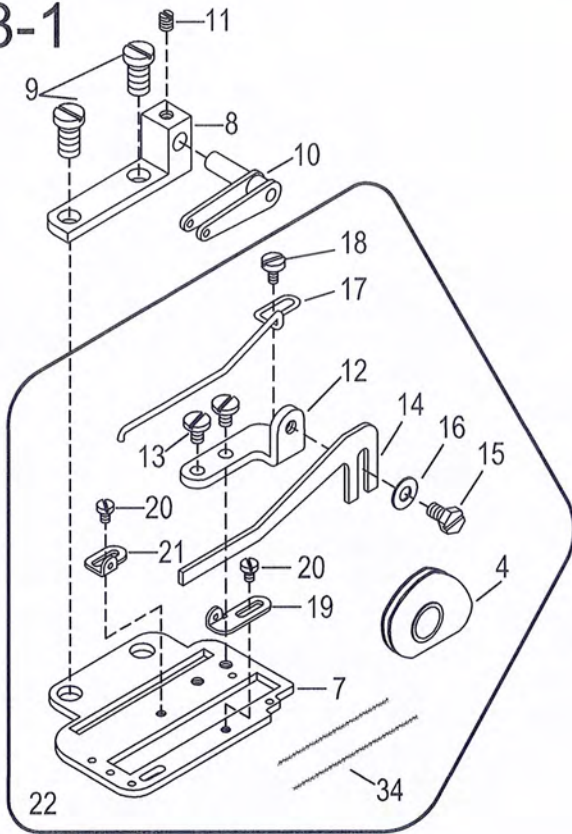
Looper Drive Mechanism

下勾針驅動機構

12

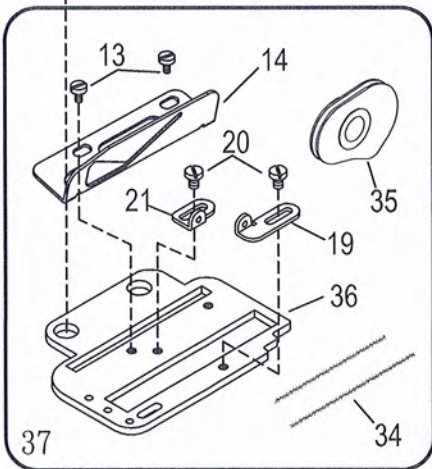
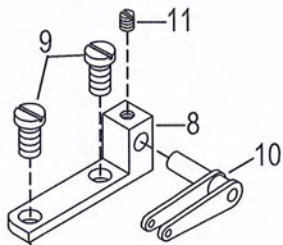
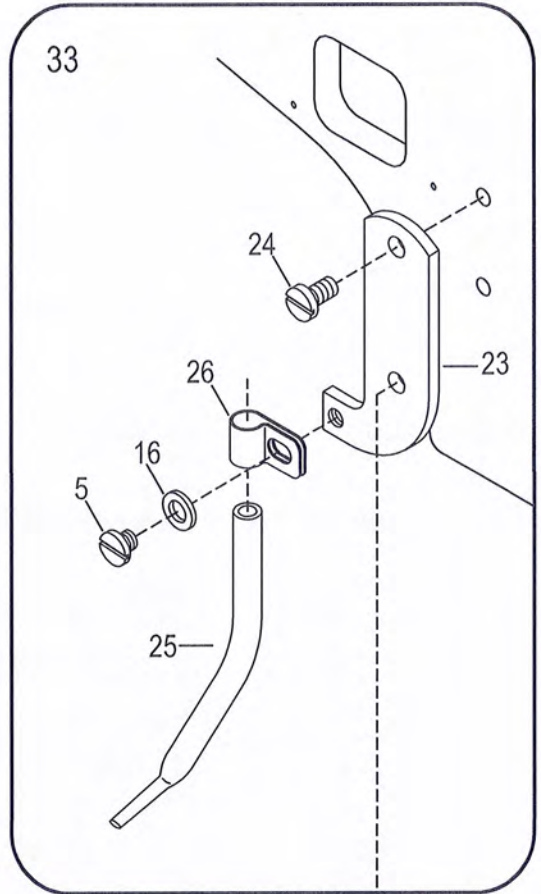
Ref. No.	Parts No.	Description	產品名稱	Amt. Req.
1	J1201	Looper Connection Rod	下勾針連桿	1
2	SV312	Screw (M3.5-0.6 × 10)	螺絲	2
3	J1203	Driving Lever	萬向珠軸	1
4	J1204	Washer	墊片	1
5	J1205-2	Washer	華司	1
6	J1206	Nut (M6-1.0)(Left)	螺母(左)	1
7	J1207	Pin	插銷	1
8	J0812	Screw (SM 1/8-44 × 4)	螺絲	1
9	J1209	Oil String	油蕊	1
10	J1210	Oil String	油蕊	2
11	J1211	Looper Lever	下勾針槓桿	1
12	J1212-1	Shaft	心軸	1
13	J0207	Screw (SM 11/64-40 × 5)	螺絲	2
14	J1214	O Ring	O型環	1
15	J1215	Collar	固定環	2
16	J1216	Screw (SM 9/64-40 × 4)	螺絲	4
17	J1217	Looper Connection Rod Assy	下勾針連桿組	1
18	J1006	Screw (SM 9/64-40 × 10)	螺絲	4
19	J1014	Rod	左右牙連接桿	1
20	J1220	Nut (SM 7/32-32) (Left)	螺母(左)	1
21	J1221	Nut (SM 7/32-32)	螺母	1
22	J1222	Driving Lever	萬向珠軸	1
23	J1223	Guide	叉型導片	1
24	J1224	Screw (SM 1/8-44 × 8)	螺絲	1
25	J1225	Nut (SM 1/4-40)	螺母	2
26	J1226	Looper Shaft	下勾針主軸	1
27	J1227-R	Looper Holder	下勾針固定座	1
28				
29	J1236-1	Screw (SM 11/64-40 × 12)	螺絲	1
30	J1230	Screw (SM 9/64-40 × 8)	前後調節螺絲	1
31	J1033	Screw (SM 3/32-56 × 3)	高低調節螺絲	1
32	J1232-4	Looper	下勾針	1
33	J1233-2	Looper Guard	下勾針輔助器	1
34	SV102	Screw (SM 3/32-56 × 3.5)	螺絲	2
35	J1235-1	Collar	限位環	1
36	J1236-1	Screw (SM 11/64-40 × 12)	螺絲	1
37	J1237	Sleeve	定位套管	1
38	J0808	Screw (SM 9/64-40 × 12)	螺絲	1
39	J1239	Washer	止鬆華司	1
40	J1240-1	Pin	方向插銷	1
41	RF08	Seal Plug	膠塞	1
42	J1242	Link Assy	連桿(組)	1
43	J1243	Link	連接器	1
44	J1244	Needle Bearing	滾針培林	2
45	J1245-1	Bushing	襯套	2
46	J1246	Screw (SM 7/32-32 × 15)	止住螺絲	2
47	J1247	Nut (SM 7/32-32)	調節螺母	1
48	J1248	Driving Lever	珠軸	1
49	J1043	Connecting Rod (Left)	珠殼(左)	1
50	J1250-1	Connecting Rod	珠殼	1
51	J1251	Pin	空心門	1
52	J1252	Washer	墊片	1
53	J1253	Bracket	防塵蓋	1
54	J1254	Gasket	防油墊片	1
55	J1255	Screw (SM 9/64-40 × 6)	螺絲	3
56	J1228	Screw (SM 9/64-40 × 5)	螺絲	1

13-1



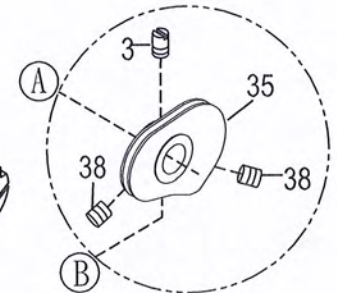
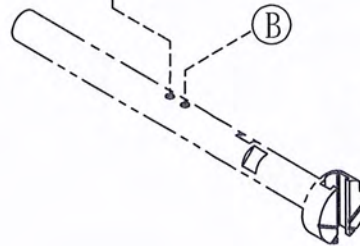
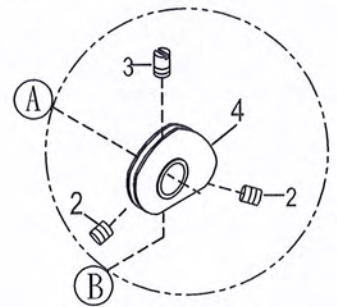
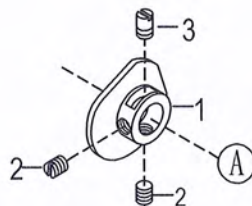
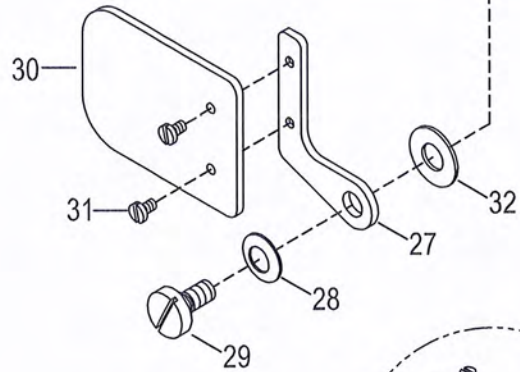
張力線緊(選購)

For Tighten Thread(Optional)



張力線鬆(選購)

For Loosen Thread(Optional)



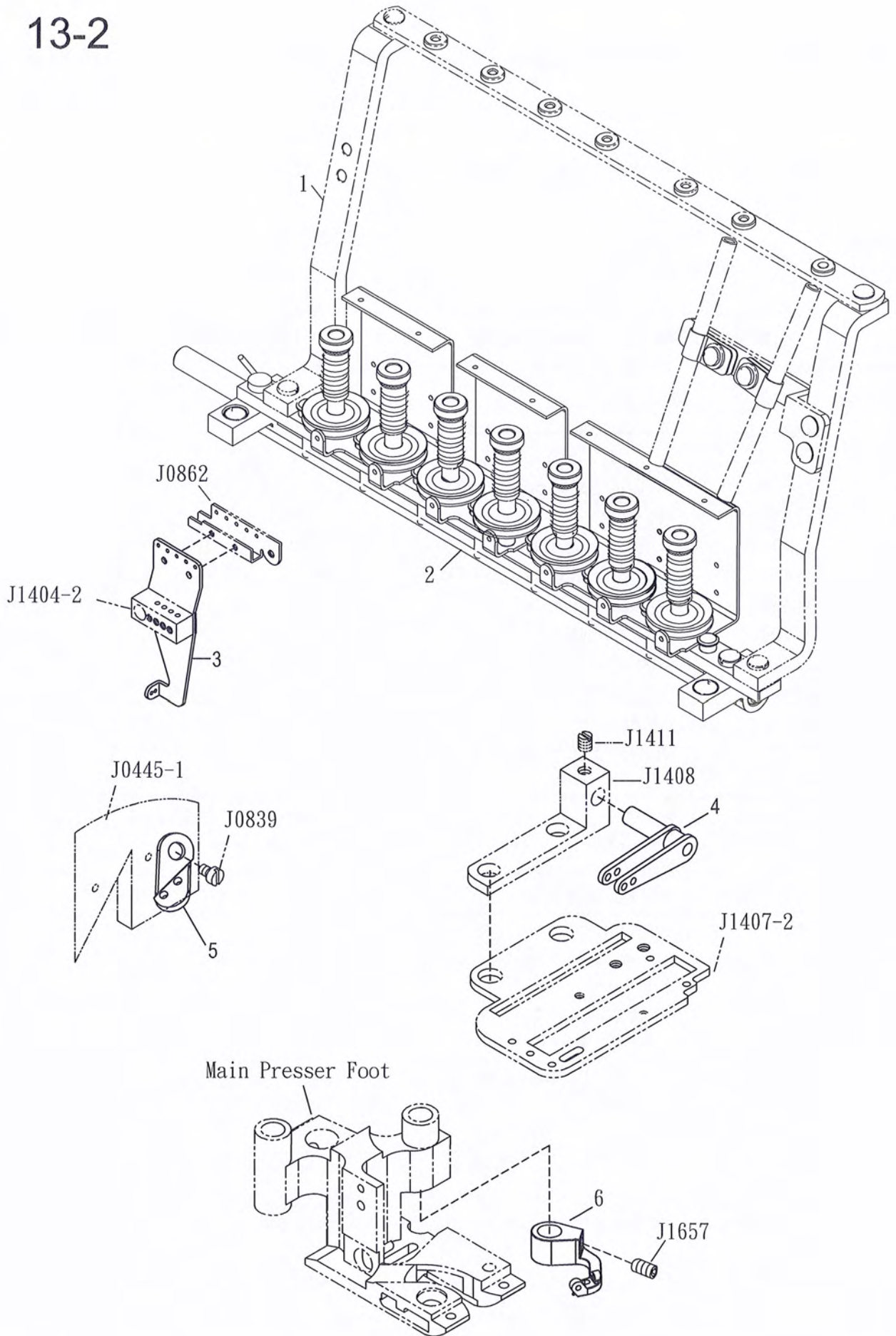
Top Cover & Looper Thread Handling (Optional)

上飾與下勾針線機構(選購)

14-1

Ref. No.	Parts No.	Description	產品名稱	Amt. Req.
1	J1401	Top Cover Thread Take-Up	上飾線針提線器	1
2	J1402	Screw (SM 11/64-40 × 4)	螺絲	4
3	J1403	Screw (SM 1/8-44)	限位螺絲	2
4	J1404-2	Looper Thread Take-Up	下勾針提線器	1
5	J0426	Screw (SM 11/64-40 × 4)	螺絲	1
6				
7	J1407-2	Bracket	提線盤	1
8	J1408	Bracket	固定座	1
9	J1409	Screw (SM 7/32-32 × 10)	螺絲	2
10	J1410	Thread Take-Up Guide	上飾提線調節器	1
11	J1411	Screw (SM 9/64-40 × 4)	螺絲	1
12	J1412	Bracket	固定座	1
13	J1413	Screw (SM 1/8-44 × 5)	螺絲	2
14	J1414	Looper Thread Guide	下勾線調節板	1
15	J1415	Screw (SM 9/64-40 × 6)	螺絲	1
16	J1416	Washer	華司	2
17	J1417	Thread Support	導線彈簧	1
18	J1418	Screw (SM 3/32-56 × 5)	螺絲	1
19	J1419	Thread Guide	導線板(大)	1
20	J1420	Screw (SM 3/32-56 × 3.3)	螺絲	2
21	J1421	Thread Guide	導線板(小)	1
22	J1422	Looper Thread Guide Assy	提線盤整組(張力線緊)	
23	J1423-1	Bracket	托架	1
24	J0408	Screw (SM 9/64-40 × 8)	螺絲	1
25	J1425-2	Pipe	導線管	1
26	J1426	Bracket	固鈕	1
27	VD27	Eye Guard Holder	護目鏡支架	1
28	FA26	Conical Spring Washer	錐形彈簧墊片	1
29	J1429	Screw (SM 11/64-40)	螺絲	1
30	VD25	Eye Guard	護目鏡片	1
31	SV104	Screw (SM 3/32-56 × 5)	螺絲	2
32	FA24	Washer	華司	2
33	J1433	Pipe Thread Guide Assy	導線管整組	1
34	1M001	Laced Wire	毛絨條	2
35	J1404YA	Looper Thread Take-Up	下勾針提線器	1
36	J1407-3	Bracket	提線盤	1
37	J1422ST	Looper Thread Guide Assy	提線盤整組(張力線鬆)	
38	SF142	Screw (SM 7/32-32 × 4)	螺絲	2

13-2



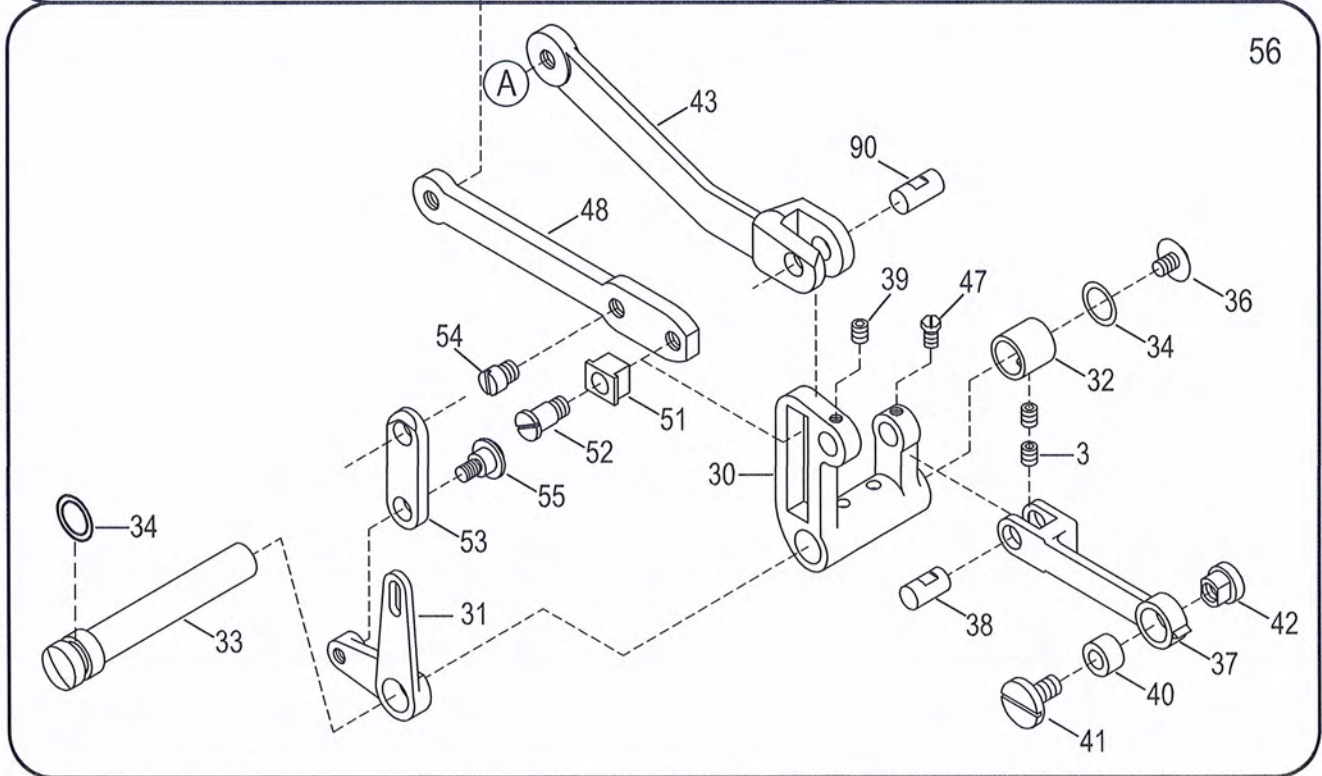
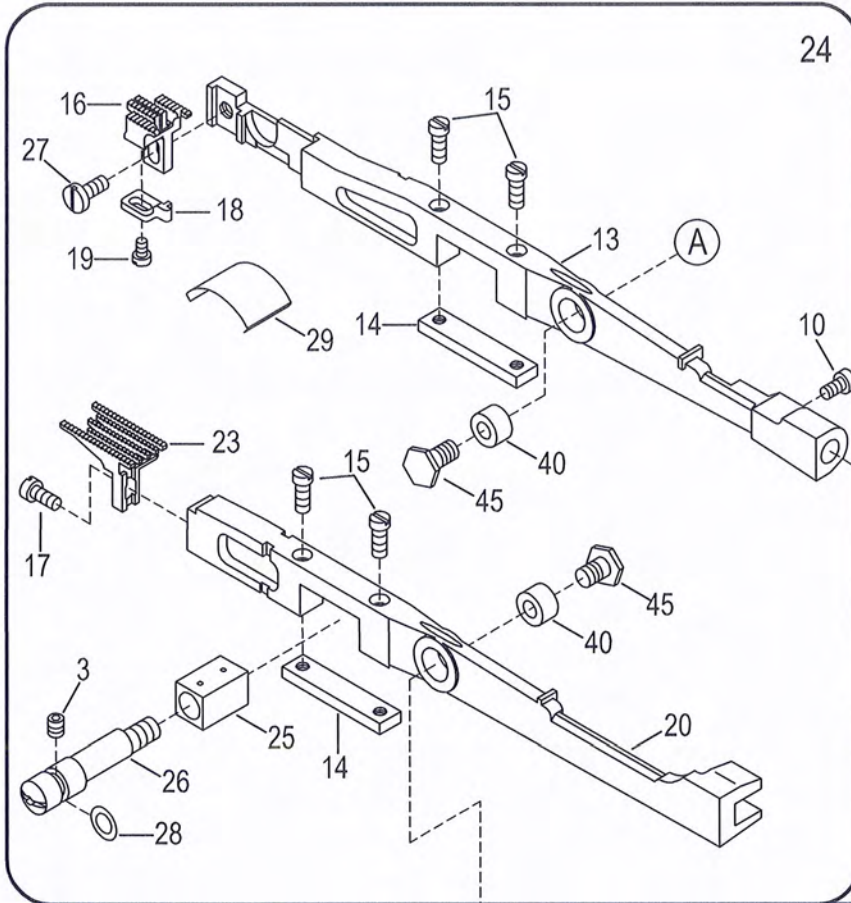
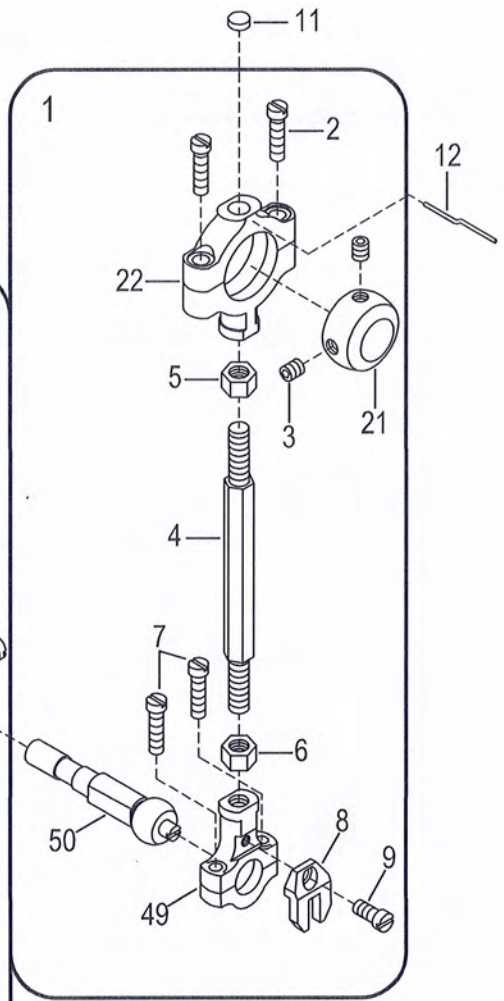
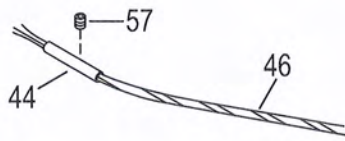
ACCESSORIES OF DECORATIVE STITCH (OPTIONAL)

雙飾線配件組(選購)

14-2

Ref. No.	Parts No.	Description	產品名稱	Amt. Req.
1	J2637A	Fit P26 Ref No.37-2	配合J2637A過線組(7線)	1
2	J2638A	Fit P26 Ref No.38-2	配合J2638A鬆線組(7線)	1
3	J0840ZBR	Bracket	針線托架	1
4	J1410ZBR	Thread Take-Up Guide	上飾提線調節器	1
5	L0376	Looper Thread Eyelet(Front)	鈎針過線片(前)	1
6	J2219ZBR	Carrier	上飾線帶線器(短#452)	1
	J2220ZBR	Carrier	上飾線帶線器(短#460)	

15



Feed Mechanism (1-1)(Standard)

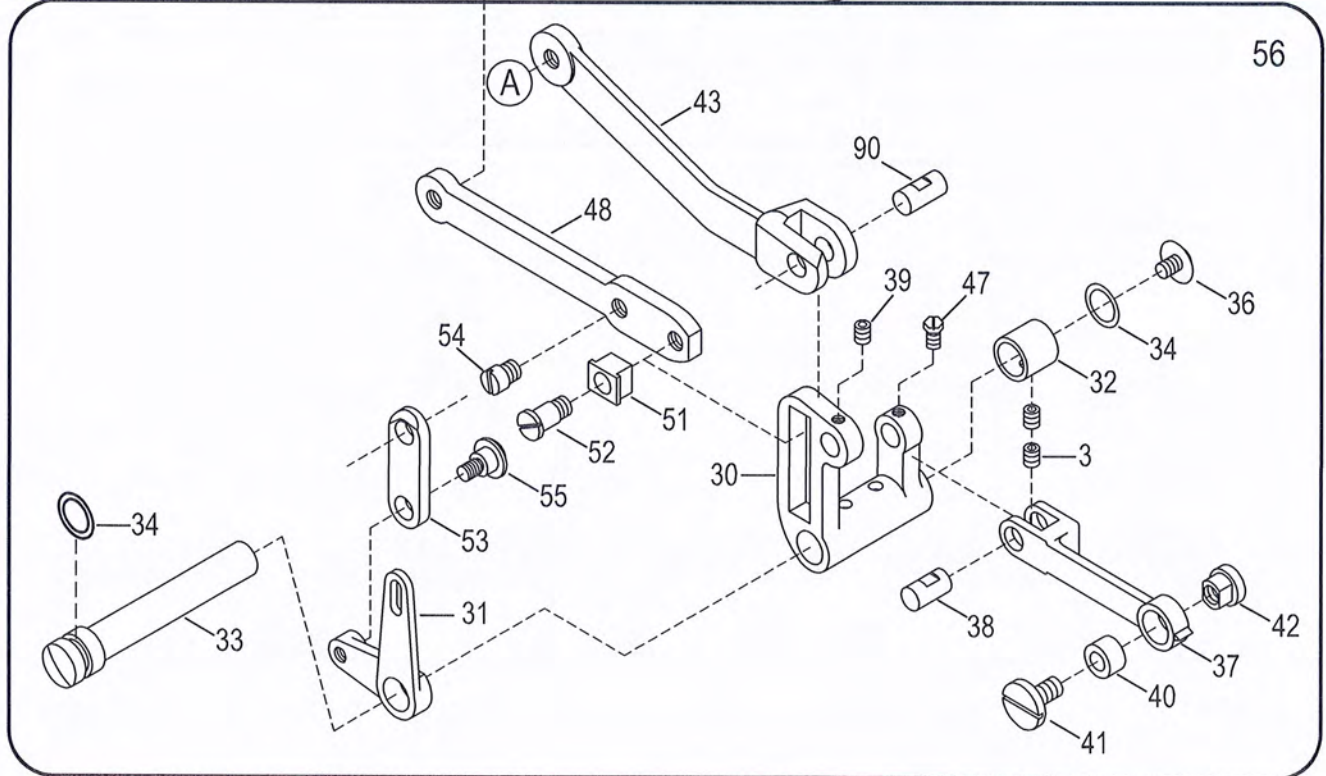
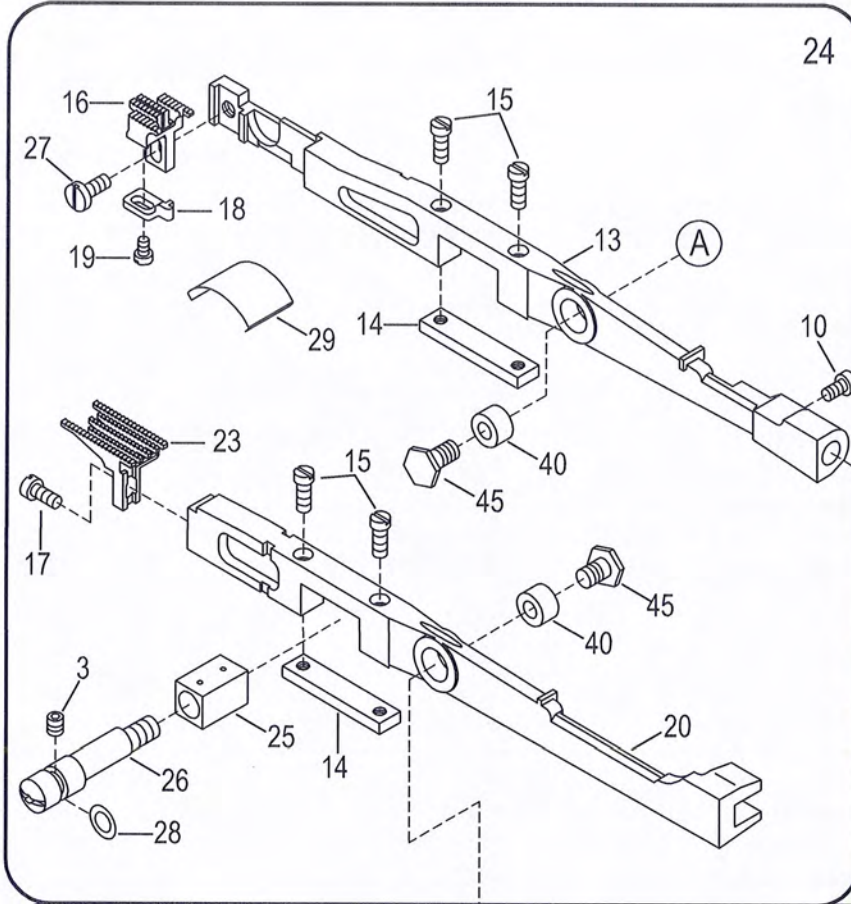
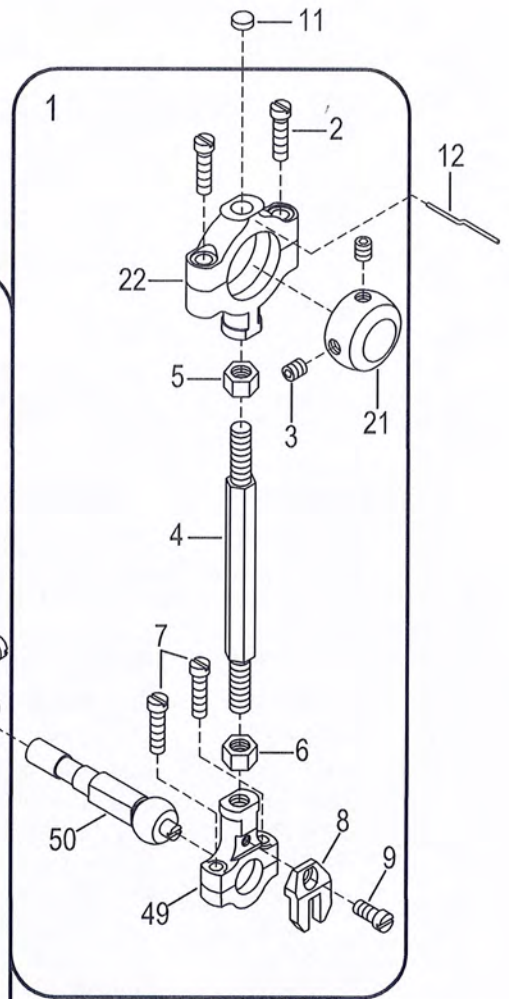
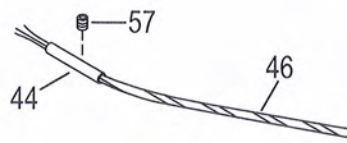
送料機構(1-1)(標準型)

16

Ref. No.	Parts No.	Description	產品名稱	Amt. Req.
1	J1601	Connection Rod Assy	上下送料連桿(組)	1
2	J1602	Screw (SM 3/16-32 × 17)	螺絲	2
3	J0207	Screw (SM 11/64-40 × 5)	螺絲	5
4	J1604	Connecting Bar	連接桿	1
5	J1220	Nut (SM 7/32-32) (Left)	螺母(左)	1
6	J1221	Nut (SM 7/32-32)	螺母	1
7	J1006	Screw (SM 9/64-40 × 10)	螺絲	2
8	J1223	Guide	叉導導片	1
9	J1224	Screw (SM 1/8-44 × 8)	螺絲	1
10	J1610	Screw (SM 11/64-40 × 5.5)	螺絲	1
11	J1611	Felt	油氈	1
12	J1612	Pin	固定鐵線	1
13	J1613-5	Differential Feed Bar	主送料具座	1
14	J1614	Auxiliary Plate	輔助板	2
15	J1615	Screw (SM 9/64-40 × 16)	螺絲	4
16-1	J1616-S	Main Feed Dog-S	主齒(短)	
16-2	J1616L	Main Feed Dog-L	主齒(長)	
16-3	J1616A1	Stepped Main Feed Dog-A1	主齒(短)段差1mm	
16-4	J1616B1.5	Stepped Main Feed Dog-B1.5	主齒(短)段差1.5mm	
16-5	J1616SS1	Main Feed Dog-S (Fine Tooth)	主齒(短)(細齒)	1
16-6	J1616-8	Main Feed Dog (Widen Type)	主齒(加寬)	
16-7	J1616TK	Main Feed Dog (Coarse teeth)	主齒(粗齒)	
16-8	J1616RU	Main Feed Dog (Rubber Type)	主齒(橡膠)	
17	J1617	Screw (SM 3/16-32 × 10)	螺絲	1
18-1	J1618-3	Needle Guard (Rear)	頂針片(後)	1
18-2	J1618-8	Needle Guard	頂針片	
19	J1619	Screw (SM 1/8-44 × 4.5)	螺絲	1
20	J1620-2	Differential Feed Bar	差動送料具驅動座	1
21	J1621-1	Driving Lever	珠球	1
22	J1622-2	Connecting Rod (Large)	珠殼(大 左牙)	1
23-1	J1623-S	Differential Feed Dog-S	差動齒(短)	
23-2	J1623L1-1	Differential Feed Dog-L	差動齒(長)	
23-3	J1623A1-1	Stepped Differential Feed Dog-A1	差動齒(短)段差1mm	
23-4	J1623B1.5	Stepped Differential Feed Dog-B1.5	差動齒(短)段差1.5mm	
23-5	J1623SS-1	Differential Feed Dog-S (Fine Tooth)	差動齒(短)(細齒)	1
23-6	J1623-8-1	Differential Feed Dog (Widen Type)	差動齒(加寬)	
23-7	J1623TK-1	Differential Feed Dog (Coarse teeth)	差動齒(粗齒)	
23-8	J1623RU-1	Differential Feed Dog (Rubber Type)	差動齒(橡膠)	
24	J1624	Feeding Device Assy	送料座整組	1
25	J1625	Block (Feed Bar Lift)	送料提升塊	1
26	J1626-1	Eccentric Pin	調節偏心軸	1
27	J1627	Screw (SM 3/16-32 × 10)	螺絲	1
28	RF23	O Ring	O型環	1
29	J1629-1	Flat Spring	彈簧片	1
30	J1630	Crank	驅動器	1
31	J1631	Differential Lever	差動調節桿	1
32	J1632	Bushing	襯套	1
33	J1633	Shaft	軸心	1
34	J1634	O Ring	O型環	2
35				
36	J1636-1	Screw (SM 11/64-40 × 6.5)	止注螺絲	1

* Ref. No. 37 to 57 See the following page

15

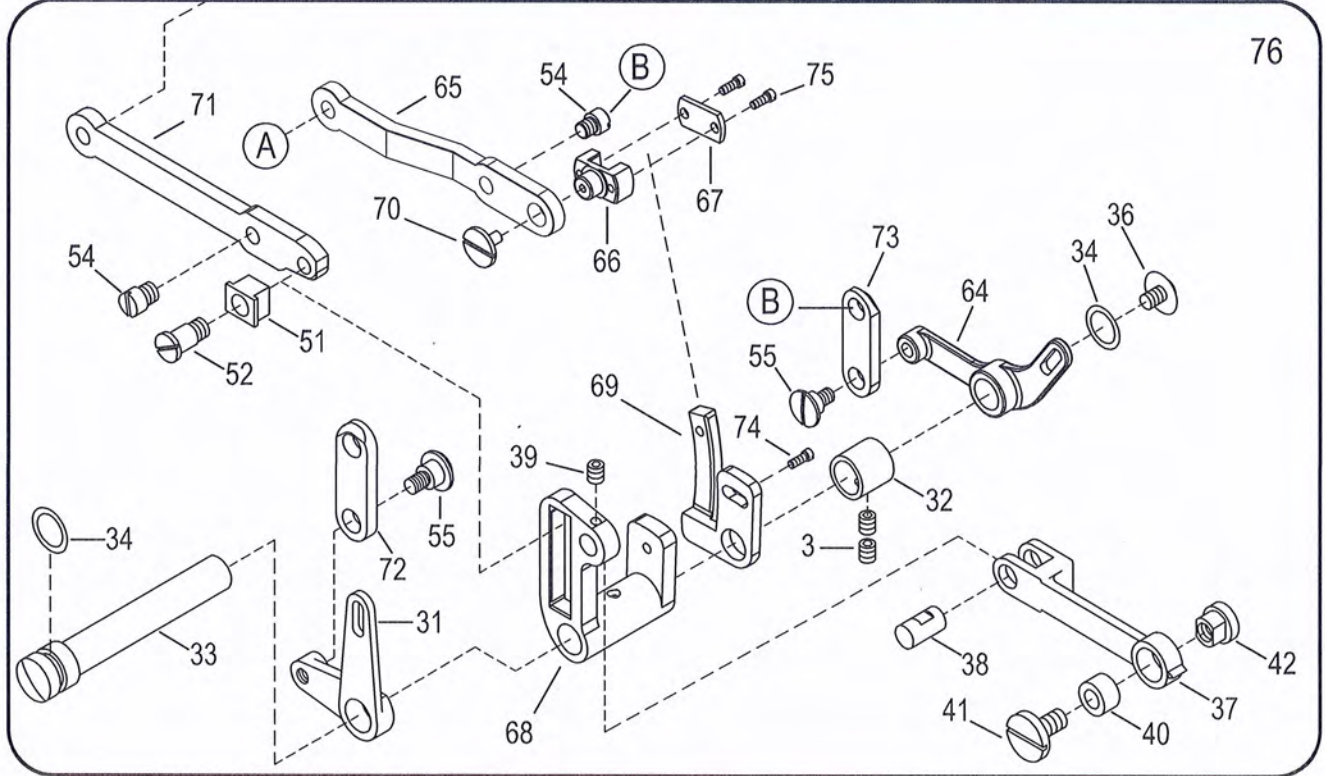
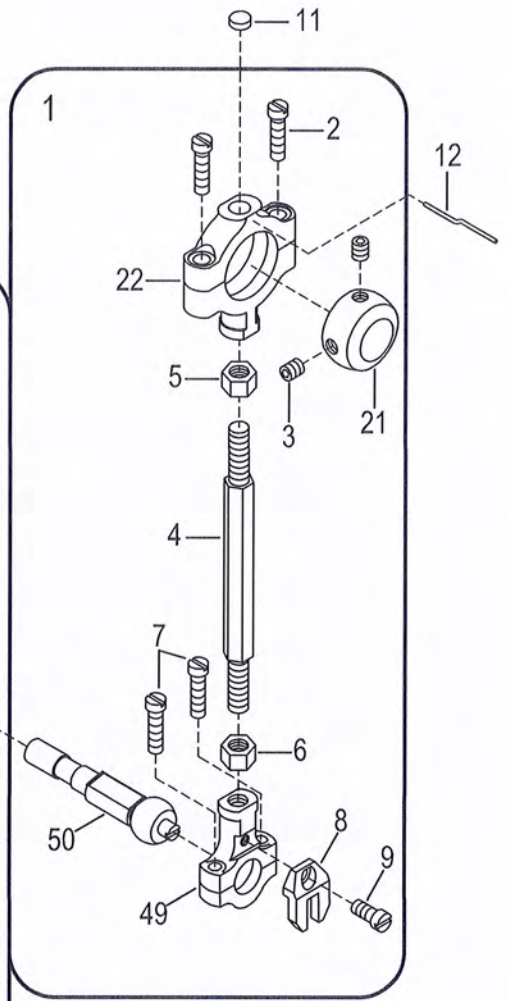
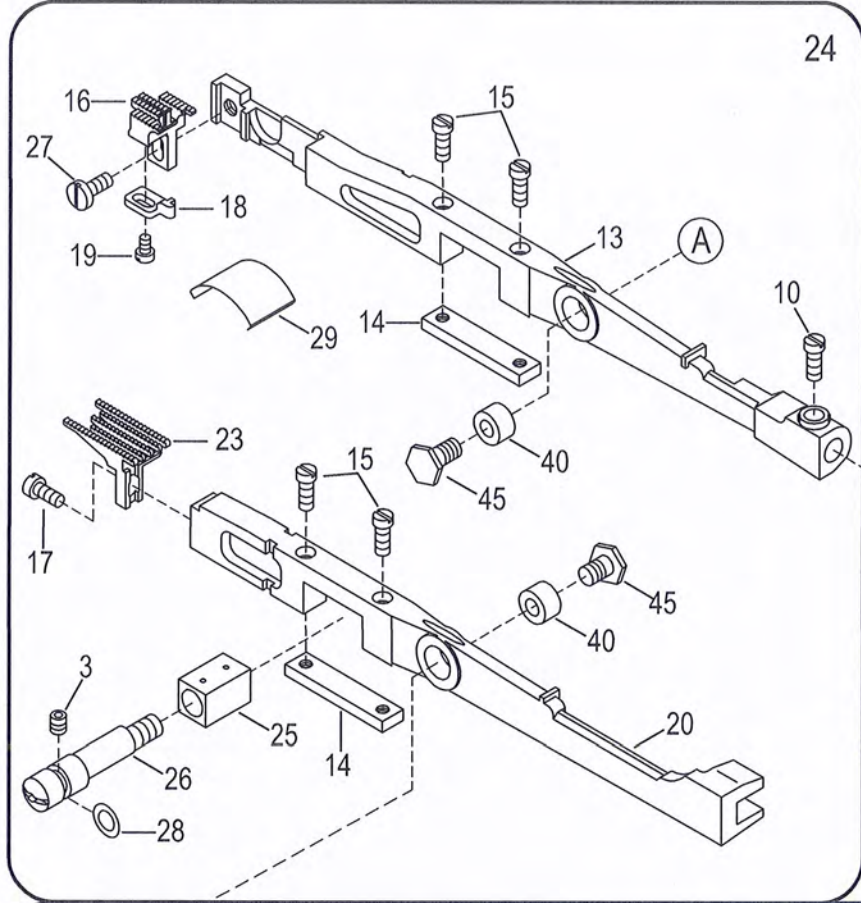
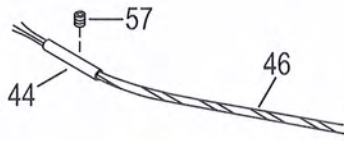


Feed Mechanism (1-1)(Standard)**送料機構(1-1)(標準型)****16**

Ref. No.	Parts No.	Description	產品名稱	Amt. Req.
37	J1637	Link	粗細針連接臂	1
38	J1638	Pin	插銷	1
39	J1411	Screw (SM 9/64-40 × 4)	螺絲	1
40	J1640-4	Bushing	襯套	3
41	J1641	Screw (SM 7/32-32 × 11)	止注螺絲	1
42	J1642-1	Nut (SM 7/32-32)	調節螺母	1
43	J1643	Main Feeding Arm	主送料具連接臂	1
44	J1644	Pipe	固定管	1
45	J1645-1	Screw (SM 7/32-32 × 11)	止注螺絲	2
46	J1646	Oil Wick	油蕊	1
47	J1216	Screw (SM 9/64-40 × 4)	螺絲	1
48	J1648	Link	差動送料連接臂 (後送料)	1
49	J1250-1	Connecting Rod (Small)	珠殼(小)	1
50	J1650-1	Driving Lever	珠軸	1
51	J1651	Slide	滑塊	1
52	J1652	Screw (SM 7/32-32 × 3.7)	螺絲	1
53	J1653	Link (Main Feed)	連接柄	1
54	J1654	Screw (SM 7/32-32 × 4.1)	螺絲	1
55	J1655	Screw (SM 11/64-40 × 4.95)	螺絲	1
56	J1656	Feed Driving Unit Assy	送料具驅動組	1
57	J1657	Screw (SM 1/8-44 × 4)	螺絲	1
90	J1638L	Pin	插銷	1

*Ref. No. 1 to 36 See the preceding page.

15-1



Feed Mechanism (1-2)(Dual Differential Feed Ratio)

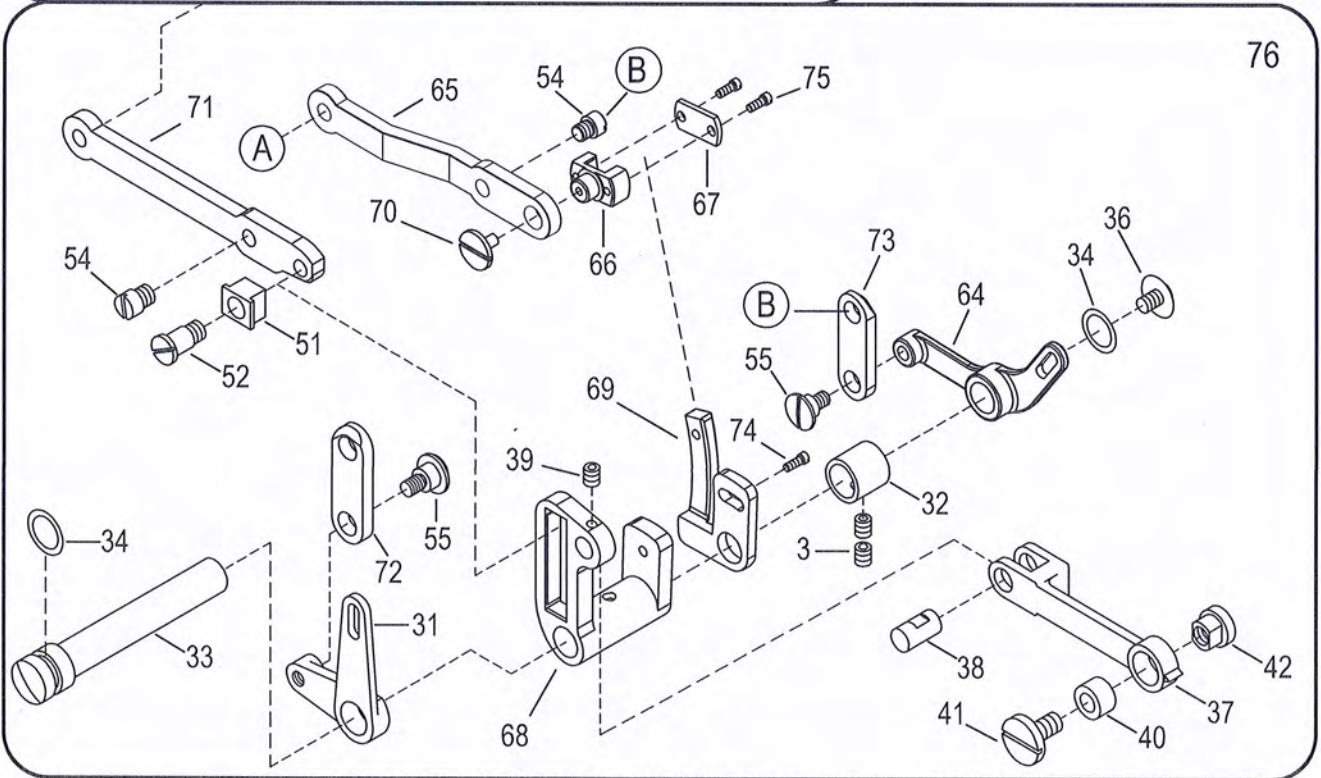
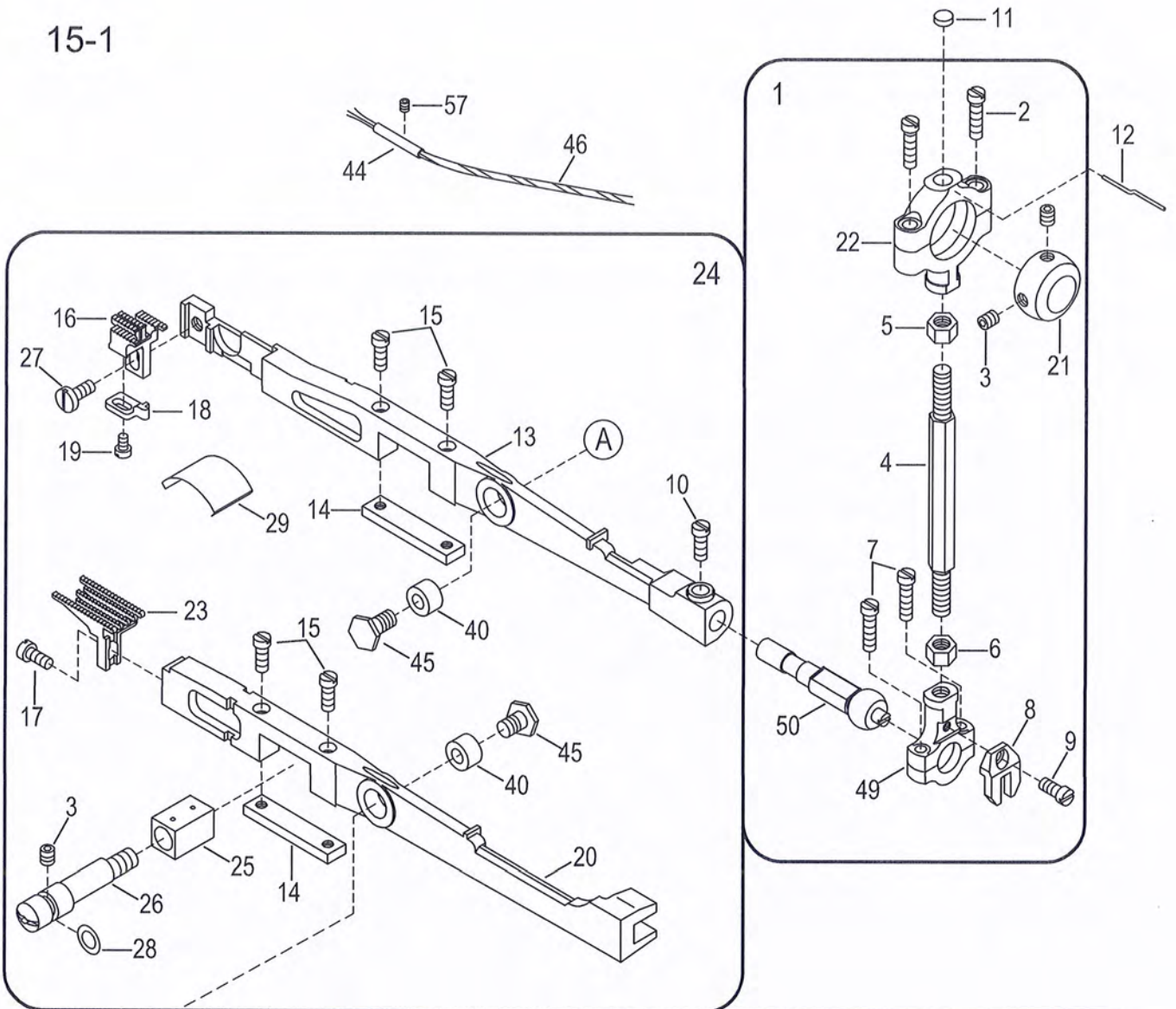
送料機構(1-2)(雙差動)

16-1

Ref. No.	Parts No.	Description	產品名稱	Amt. Req.
1	J1601	Connection Rod Assy	上下送料連桿(組)	1
2	J1602	Screw (SM 3/16-32 × 17)	螺絲	2
3	J0207	Screw (SM 11/64-40 × 5)	螺絲	5
4	J1604	Connecting Bar	連接桿	1
5	J1220	Nut (SM 7/32-32) (Left)	螺母(左)	1
6	J1221	Nut (SM 7/32-32)	螺母	1
7	J1006	Screw (SM 9/64-40 × 10)	螺絲	2
8	J1223	Guide	叉導片	1
9	J1224	Screw (SM 1/8-44 × 8)	螺絲	1
10	J1610	Screw (SM 11/64-40 × 5.5)	螺絲	1
11	J1611	Felt	油氈	1
12	J1612	Pin	固定鐵線	1
13	J1613-5	Differential Feed Bar	主送料具座(雙差動用)	1
14	J1614	Auxiliary Plate	輔助板	2
15	J1615	Screw (SM 9/64-40 × 16)	螺絲	4
16-1	J1616-S	Main Feed Dog-S	主齒(短)	
16-2	J1616L	Main Feed Dog-L	主齒(長)	
16-3	J1616A1	Stepped Main Feed Dog-A1	主齒(短)段差1mm	
16-4	J1616B1.5	Stepped Main Feed Dog-B1.5	主齒(短)段差1.5mm	1
16-5	J1616SS1	Main Feed Dog-S (Fine Tooth)	主齒(短)(細齒)	
16-6	J1616-8	Main Feed Dog (Widen Type)	主齒(加寬)	
17	J1617	Screw (SM 3/16-32 × 10)	螺絲	1
18-1	J1618-3	Needle Guard (Rear)	頂針片	1
18-2	J1618-8	Needle Guard	頂針片	
19	J1619	Screw (SM 1/8-44 × 4.5)	螺絲	1
20	J1620-2	Differential Feed Bar	差動送料具驅動座	1
21	J1621	Driving Lever	珠球	1
22	J1622-2	Connecting Rod (Large)	珠殼(大左牙)	1
23-1	J1623-S	Differential Feed Dog-S	差動齒(短)	
23-2	J1623L1-1	Differential Feed Dog-L	差動齒(長)	
23-3	J1623A1-1	Stepped Differential Feed Dog-A1	差動齒(短)段差1mm	
23-4	J1623B1.5	Stepped Differential Feed Dog-B1.5	差動齒(短)段差1.5mm	1
23-5	J1623SS-1	Differential Feed Dog-S (Fine Tooth)	差動齒(短)(細齒)	
23-6	J1623-8-1	Differential Feed Dog (Widen Type)	差動齒(加寬)	
24	J1624	Feeding Device Assy	送料座整組	1
25	J1625	Block (Feed Bar Lift)	送料提升塊	1
26	J1626-1	Eccentric Pin	調節偏心軸	1
27	J1627	Screw (SM 3/16-32 × 10)	螺絲	1
28	GK31	O Ring	O型環	1
29	J1629-1	Flat Spring	彈簧片	1
31	J1631	Differential Lever	差動調節桿(後)	1
32	J1632R	Bushing	襯套(雙差動用)	1
33	J1633-1	Shaft	軸心(雙差動用)	1
34	J1634	O Ring	O型環	2
36	J1636-1	Screw (SM 11/64-40 × 6.5)	止注螺絲	1
37	J1637	Link	粗細針連接臂	1
38	J1638	Pin	插銷	1
39	J1411	Screw (SM 9/64-40 × 4)	螺絲	1
40	J1640-4	Bushing	襯套	3

* Ref. No. 41 to 76 See the following page

15-1



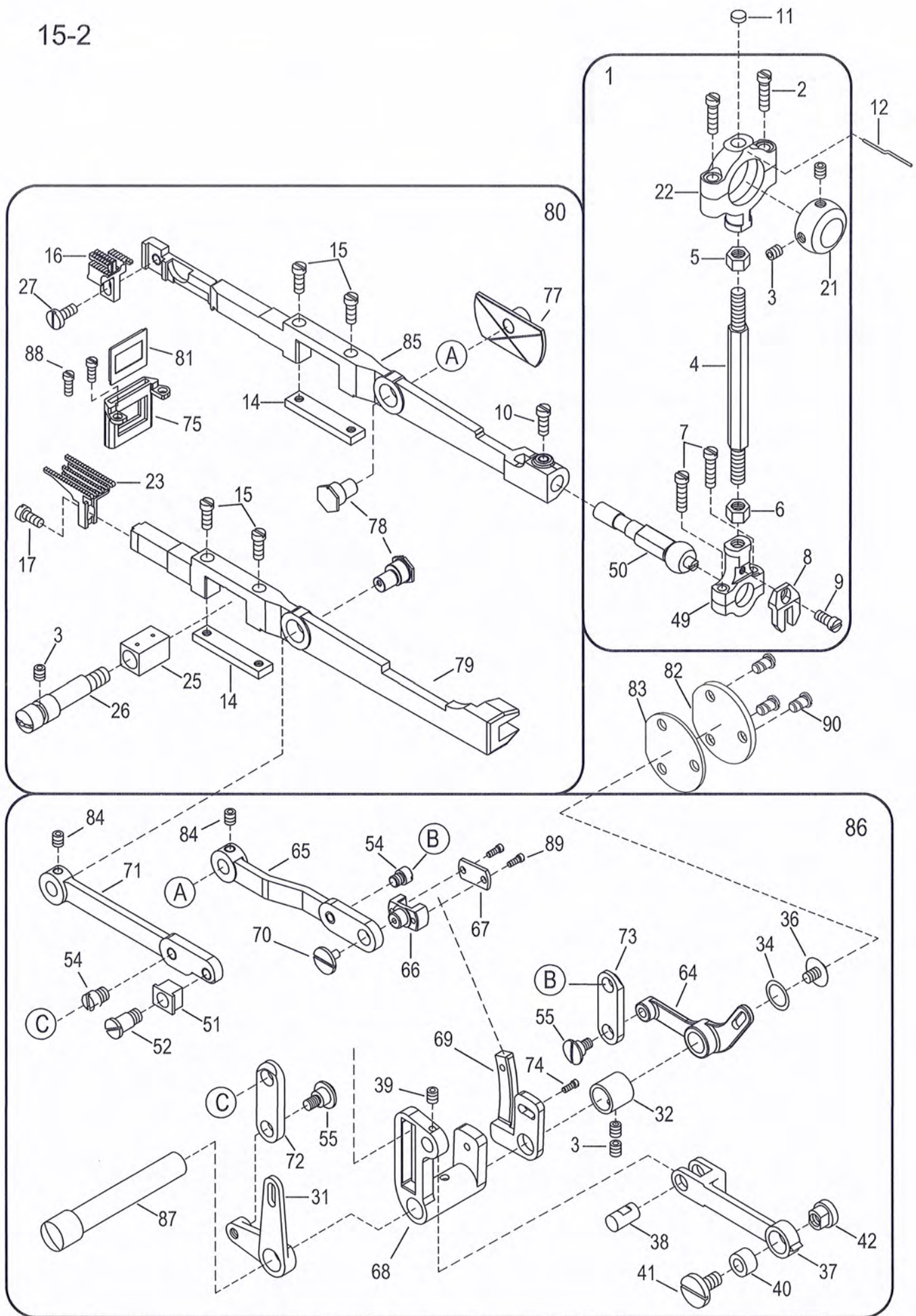
Feed Mechanism (1-2)(Dual Differential Feed Ratio)

送料機構(1-2)(雙差動)

16-1

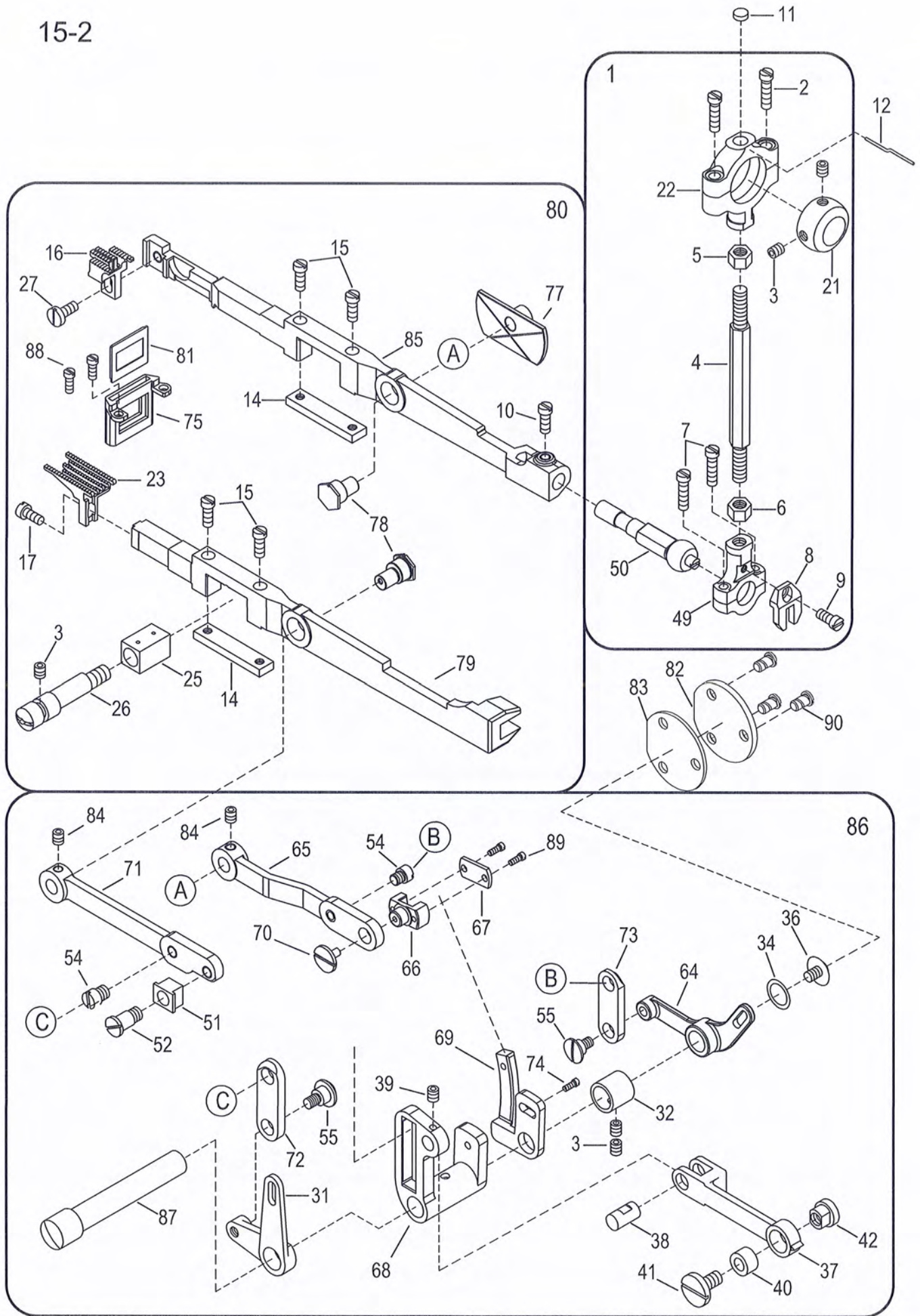
Ref. No.	Parts No.	Description	產品名稱	Amt. Req.
41	J1641	Screw (SM 7/32-32 × 11)	止注螺絲	1
42	J1642-1	Nut (SM 7/32-32)	調節螺母	1
44	J1644	Pipe	固定管	1
45	J1645-1	Screw (SM 7/32-32 × 7)	止注螺絲	2
46	J1646	Oil Wick	油蕊	1
47				
49	J1250-1	Connecting Rod (Small)	珠殼(小)	1
50	J1650	Driving Lever	珠軸	1
51	J1651	Slide	滑塊	1
52	J1652	Screw (SM 7/32-32 × 3.7)	螺絲	1
54	J1654	Screw (SM 7/32-32 × 4.1)	螺絲	2
55	J1655	Screw (SM 11/64 - 40 × 5)	螺絲	2
57	J1657	Screw (SM 1/8 - 44 × 4)	螺絲	1
64	J1664	Differential Lever	差動調整桿(前)(雙差動用)	1
65	J1665	Link	連接臂(右)(雙差動用)	1
66	J1666-3	Differential Feed Adjusting Block	差動調整滑塊 (雙差動用)	1
67	J1667-1	Washer	墊片 (雙差動用)	1
68	J1668-1	Crank	驅動器 (雙差動用)	1
69	J1669-1	Differential Feed Rocker	差動弧臂 (雙差動用)	1
70	J1670	Screw (M3.5-6 × 7)	螺絲 (雙差動用)	1
71	J1671	Link	差動送料連接臂(左) (雙差動用)	1
72	J1672	Link (Main Feed)	連接柄 (23) (雙差動用)	1
73	J1673	Link (Main Feed)	連接柄 (14.5) (雙差動用)	1
74	SF224	Screw (M4-0.7 × 8)	螺絲	1
75	MDB060	Screw (M3-0.5 × 6)	螺絲	2
76	J1676	Feed Driving Unit Assy	送料具驅動組	1

*Ref. No. 1 to 40 See the preceding page.



Feed Mechanism (1-3)(Fully Oil-Sealed)			送料機構(1-3)(全密封型)	16-2
Ref. No.	Parts No.	Description	產品名稱	Amt. Req.
1	J1601	Connection Rod Assy	上下送料連桿(組)	1
2	J1602	Screw (SM 3/16-32 × 17)	螺絲	2
3	J0207	Screw (SM 11/64-40 × 5)	螺絲	5
4	J1604	Connecting Bar	連接桿	1
5	J1220	Nut (SM 7/32-32) (Left)	螺母(左)	1
6	J1221	Nut (SM 7/32-32)	螺母	1
7	J1006	Screw (SM 9/64-40 × 10)	螺絲	2
8	J1223	Guide	叉導片	1
9	J1224	Screw (SM 1/8-44 × 8)	螺絲	1
10	J1610	Screw (SM 11/64-40 × 5.5)	螺絲	1
11	J1611	Felt	油氈	1
12	J1612	Pin	固定鐵線	1
13				
14	J1614	Auxiliary Plate	輔助板	2
15	J1615	Screw (SM 9/64-40 × 16)	螺絲	4
16-1	J1616-S	Main Feed Dog-S	主齒 (短)	
16-2	J1616L	Main Feed Dog-L	主齒 (長)	
16-3	J1616A1	Stepped Main Feed Dog-A1	主齒 (短)段差1mm	
16-4	J1616B1.5	Stepped Main Feed Dog-B1.5	主齒 (短)段差1.5mm	
16-5	J1616SS1	Main Feed Dog-S (Fine Tooth)	主齒 (短)(細齒)	1
16-6	J1616-8	Main Feed Dog (Widen Type)	主齒 (加寬)	
16-7	J1616TK	Main Feed Dog (Coarse Teeth)	主齒 (粗齒)	
16-8	J1616RU	Main Feed Dog (Rubber Type)	主齒 (橡膠)	
17	J1617	Screw (SM 3/16-32 × 10)	螺絲	1
18				
20				
21	J1621	Driving Lever	珠球	1
22	J1622-2	Connecting Rod (Large)	珠殼 (大 左牙)	1
23-1	J1623-S	Differential Feed Dog-S	差動齒 (短)	
23-2	J1623L1-1	Differential Feed Dog-L	差動齒 (長)	
23-3	J1623A1-1	Stepped Differential Feed Dog-A1	差動齒 (短)段差1mm	
23-4	J1623B1.5	Stepped Differential Feed Dog-B1.5	差動齒 (短)段差1.5mm	
23-5	J1623SS-1	Differential Feed Dog-S (Fine Tooth)	差動齒 (短)(細齒)	
23-6	J1623-8-1	Differential Feed Dog (Widen Type)	差動齒 (加寬)	1
23-7	J1623TK-1	Differential Feed Dog (Coarse teeth)	差動齒 (粗齒)	
23-8	J1623RU-1	Differential Feed Dog (Rubber Type)	差動齒 (橡膠)	
24				
25	J1625	Block (Feed Bar Lift)	送料提升塊	1
26	J1626-1	Eccentric Pin	調節偏心軸	1
27	J1627	Screw (SM 3/16-32 × 10)	螺絲	1
28				
30				
31	J1631	Differential Lever	差動調節桿 (後)	1
32	J1632R	Bushing	襯套 (雙差動用)	1
33				
34	J1634	O Ring	O型環	1
35				
36	J1636-1	Screw (SM 11/64-40 × 6.5)	止注螺絲	1
37	J1637	Link	粗細針連接臂	1
38	J1638	Pin	插銷	1
39	J1411	Screw (SM 9/64-40 × 4)	螺絲	1
40	J1640-4	Bushing	襯套	1

* Ref. No. 41 to 90 See the following page



Feed Mechanism (1-3)(Fully Oil-Sealed)

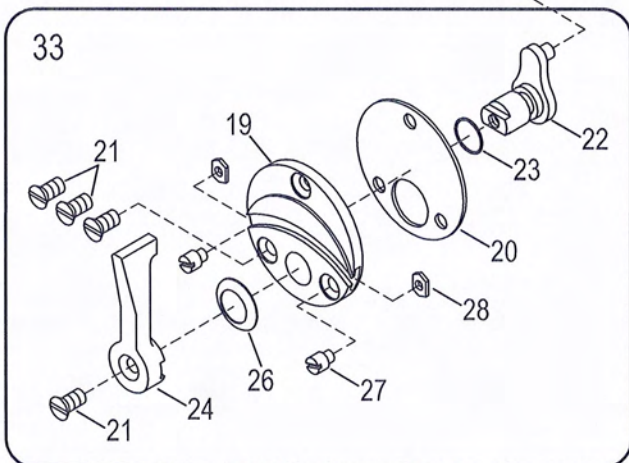
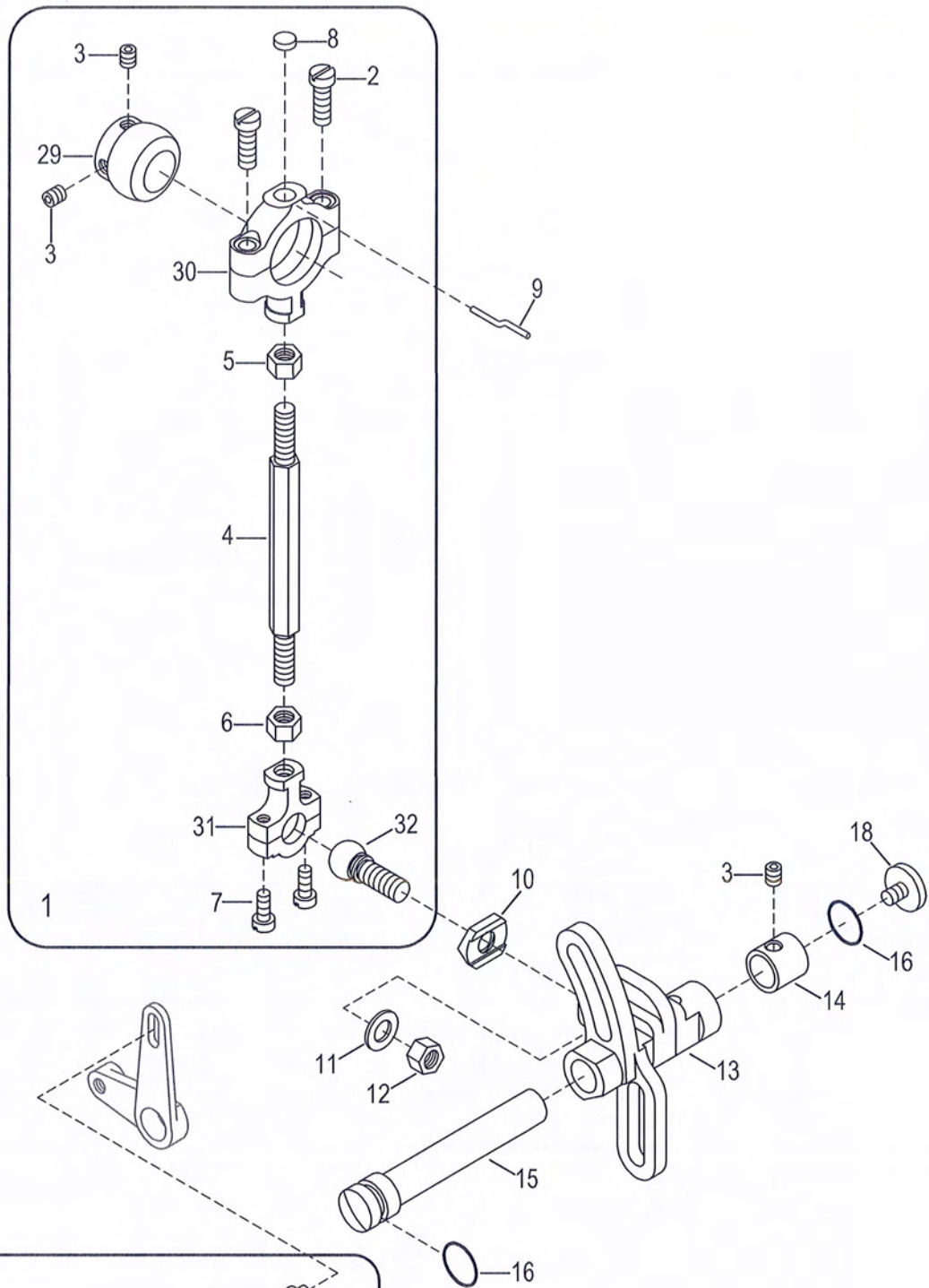
送料機構(1-3)(全密封型)

16-2

Ref. No.	Parts No.	Description	產品名稱	Amt. Req.
41	J1641	Screw (SM 7/32-32 × 11)	止注螺絲	1
42	J1642-1	Nut (SM 7/32-32)	調節螺母	1
46				
47				
48				
49	J1250-1	Connecting Rod (Small)	珠殼 (小)	1
50	J1650	Driving Lever	珠軸	1
51	J1651	Slide	滑塊	1
52	J1652	Screw (SM 7/32-32 × 3.7)	螺絲	1
53				
54	J1654	Screw (SM 7/32-32 × 4.1)	螺絲	2
55	J1655	Screw (SM 11/64-40 × 4.95)	螺絲	2
56				
57				
64	J1664	Differential Lever	差動調整桿(前)(雙差動用)	1
65	J1665	Link	連接臂(右)(雙差動用)	1
66	J1666-3	Differential Feed Adjusting Block	差動調整滑塊 (雙差動用)	1
67	J1667-1	Washer	墊片 (雙差動用)	1
68	J1668	Crank	驅動器 (雙差動用)	1
69	J1669	Differential Feed Rocker	差動弧臂 (雙差動用)	1
70	J1670	Screw (M3.5-0.6 × 7)	螺絲 (雙差動用)	1
71	J1671	Link	差動送料連接臂(左)(雙差動用)	1
72	J1672	Link (Main Feed)	連接柄 (23)(雙差動用)	1
73	J1673	Link (Main Feed)	連接柄 (14.5)(雙差動用)	1
74	SF224	Screw (M4-0.7 × 8)	螺絲	1
75	J1675	Feed Bar Shield Holder	送料具護殼	1
76				
77	J1677	Feeding Adjuster	調節塊	1
78	J1678	Eccentric Unit	偏心軸	2
79	J1679-1	Differential Feed Bar	差動送料具驅動座 (雙差動用)	1
80	J1680	Feeding Device Assy	送料座整組(雙差動用)	1
81	J1681	Oil Stopper	檔油片	1
82	J1682-1	Bracket	防塵蓋	1
83	J1683	Gasket	止油墊片	1
84	GJ27	Screw (SM 11/64-40 × 4)	螺絲	2
85	J1685-1	Differential Feed Bar	主送料具座 (雙差動用)	1
86	J1686	Feed Driving Unit Assy	送料具驅動組 (雙差動用)	1
87	J1687	Shaft	軸心 (雙差動用)	1
88	SF116	Screw (SM 9/64-40 × 9)	螺絲	2
89	MDB060	Screw (M3-0.5 × 6)	螺絲	2
90	J1255	Screw (SM 9/64-40 × 6)	螺絲	3

* Ref. No. 1 to 40 See the preceding page.

17



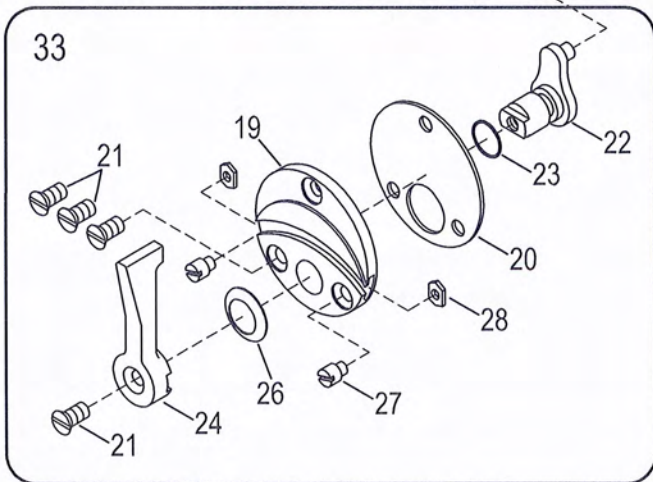
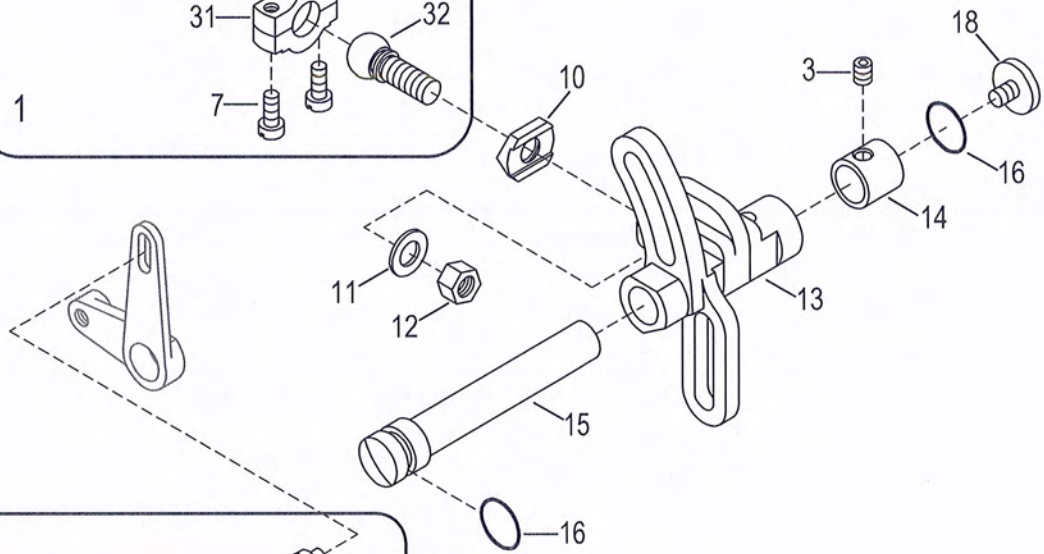
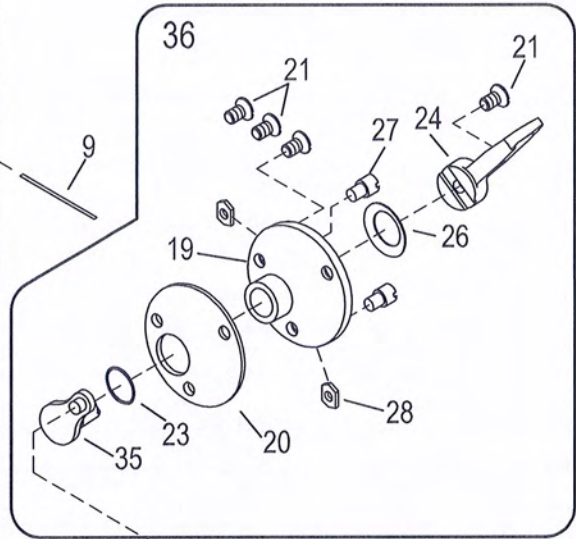
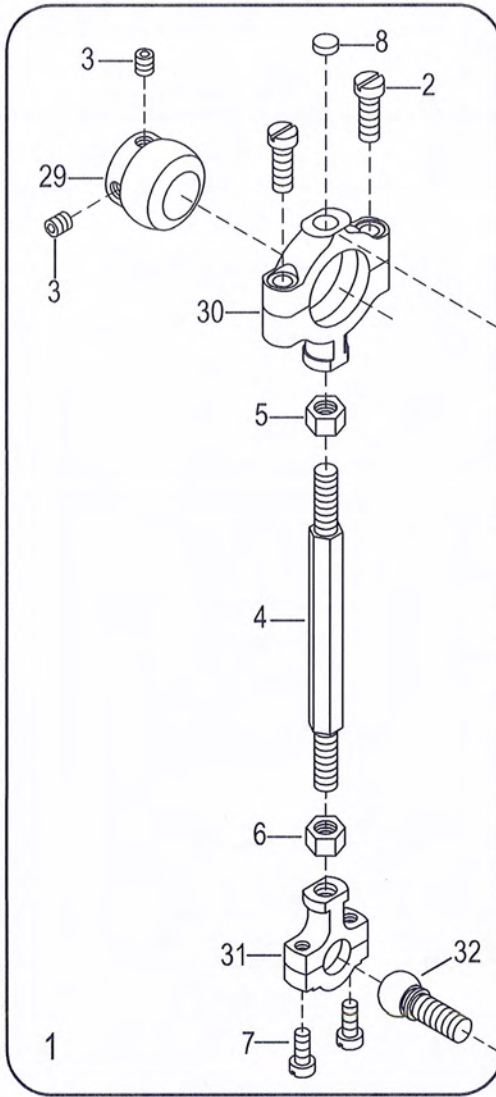
Feed Mechanism (2-1)(Standard)

差動調節送料機構(2-1)(標準型)

18

Ref. No.	Parts No.	Description	產品名稱	Amt. Req.
1	J1801	Connecting Rod Assy	連桿組	1
2	J1602	Screw (SM 3/16-32 × 17)	螺絲	2
3	J0207	Screw (SM 11/64-40 × 5)	螺絲	4
4	J1604	Connecting Bar	連接桿	1
5	J1220	Nut (SM 7/32-32) (Left)	螺母(左)	1
6	J1221	Nut (SM 7/32-32)	螺母	1
7	J1006	Screw (SM 9/64-40 × 10)	螺絲	2
8	J1611	Felt	油氈	1
9	J1612	Pin	固定鐵線	1
10	J1810	Guide	固定塊	1
11	J1205-2	Washer	華司	1
12	J1812	Nut (SM 1/4-40)	螺母	1
13	J1813-2	Main Feed Crank	主送料調節曲柄	1
14	J1632	Bushing	襯套	1
15	J1633	Shaft	軸心	1
16	J1634	O Ring	O型環	2
17				
18	J1636-1	Screw (SM 11/64-40 × 6.5)	止注螺絲	1
19	J1819	Indication Plate	差動刻度板	1
20	J1820	Gasket	止油墊圈	1
21	J0435	Screw (SM 9/64-40 × 9)	螺絲	4
22	J1822	Lever	槓桿 (Ø 9)	1
23	J1823	O Ring	O型環	1
24	J1824	Lever	調節桿	1
25				
26	J1826	Spring Washer	錐形彈簧墊片	1
27	J1827	Screw (SM 1/8-44 × 3)	定位螺絲	2
28	J1828	Nut (SM 1/8-44)	螺母	2
29	J1829-1	Ball Lever	珠球	1
30	J1622-2	Connecting Rod (Large)	珠殼(大 左牙)	1
31	J1831-1	Connecting Rod (Small)	珠殼(小)	1
32	J1832	Driving Lever	珠軸	1
33	J1833	Differential Feeding Indicator Ass	差動刻度對照調節組	1

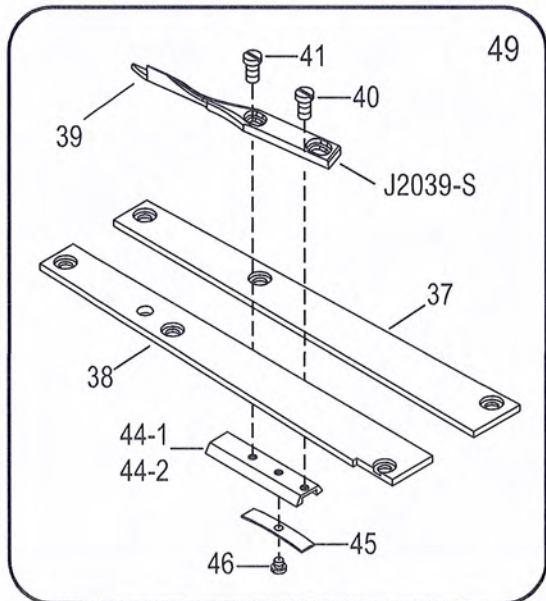
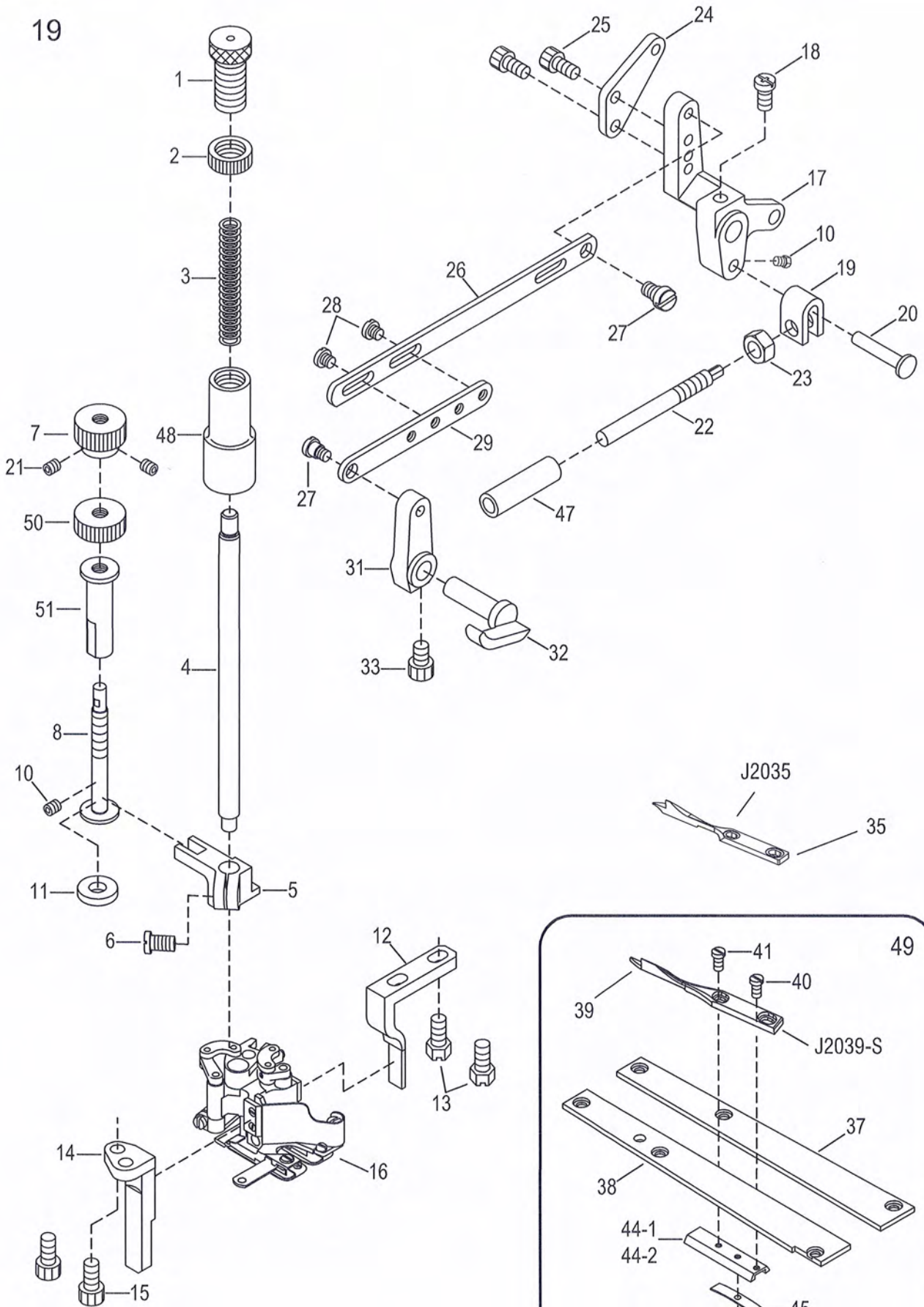
17-1



Feed Mechanism (2-2)(Dual Differential Feed Ratio 差動調節送料機構(2-2)(雙差動)
18-1

Ref. No.	Parts No.	Description	產品名稱	Amt. Req.
1	J1801	Connecting Rod Assy	連桿組	1
2	J1602	Screw (SM 3/16-32 × 17)	螺絲	2
3	J0207	Screw (SM 11/64-40 × 5)	螺絲	4
4	J1604	Connecting Bar	連接桿	1
5	J1220	Nut (SM 7/32-32) (Left)	螺母(左)	1
6	J1221	Nut (SM 7/32-32)	螺母	1
7	J1006	Screw (SM 9/64-40 × 10)	螺絲	2
8	J1611	Felt	油氈	1
9	J1612	Pin	固定鐵線	1
10	J1810	Guide	固定塊	1
11	J1205-2	Washer	華司	1
12	J1812	Nut (SM 1/4-40)	螺母	1
13	J1813-2	Main Feed Crank	主送料調節曲柄	1
14	J1632	Bushing	襯套	1
15	J1633	Shaft	軸心	1
16	J1634	O Ring	O型環	2
18	J1636-1	Screw (SM 11/64-40 × 6.5)	止注螺絲	1
19	J1819	Indication Plate	差動刻度板	2
20	J1820	Gasket	止油墊圈	2
21	J0435	Screw (SM 9/64-40 × 9)	螺絲	8
22	J1822	Lever	槓桿 (Ø 9)	1
23	J1823	O Ring	O型環	2
24	J1824	Lever	調節桿	2
26	J1826	Spring Washer	錐形彈簧墊片	2
27	J1827	Screw (SM 1/8-44 × 3)	定位螺絲	4
28	J1828	Nut (SM 1/4-40)	螺母	4
29	J1829-1	Ball Lever	珠球	1
30	J1622-2	Connecting Rod (Large)	珠殼(大 左牙)	1
31	J1831-1	Connecting Rod (Small)	珠殼(小)	1
32	J1832	Driving Lever	珠軸	1
33	J1833	(Rear) Differential Feeding Indicator Assy	(前)差動刻度對照調節組	1
35	J1835-1	Lever	槓桿 (Ø 9)	1
36	J1836	(Front) Differential Feeding Indicator Assy	(後)差動刻度對照調節組	1

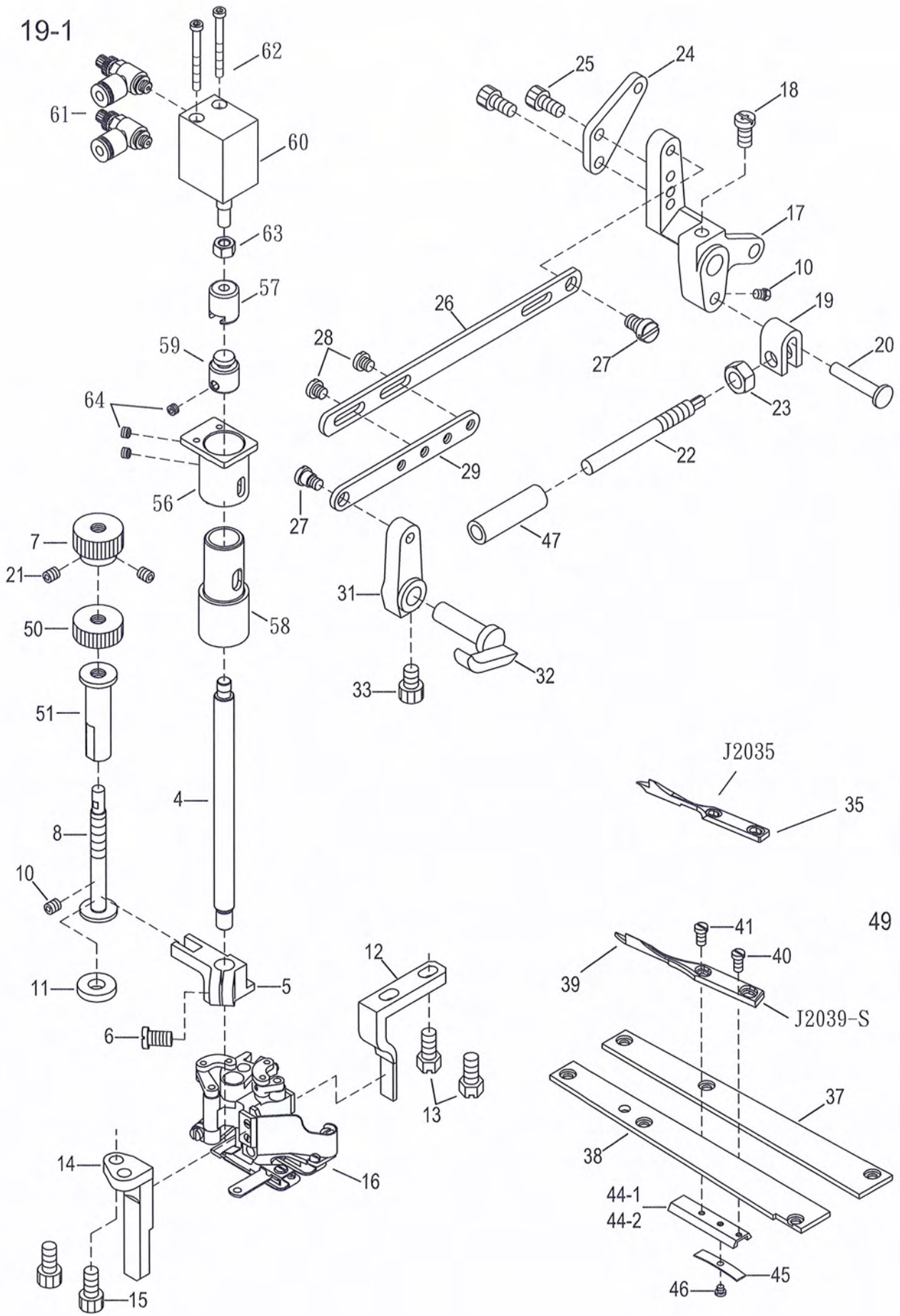
19



Presser Foot Driving Mechanism(1) (Standard)**壓腳驅動機構(1) (標準型)****20**

Ref. No.	Parts No.	Description	產品名稱	Amt. Req.
1	J2001	Screw (M12-1.0 × 25)	壓力調節樁	1
2	J2002	Nut (M12-1.0)	螺帽	1
3	J2003-1	Spring	壓力彈簧	1
4	J2004	Presser Bar	押腳棒	1
5	J2005-1	Guide Block	押腳固定臂	1
6	SV122	Screw (SM 11/64-40 × 9)	螺絲	1
7	J2007-3	Adjusting Nut	調節螺母	1
8	J2008-3	Pin	調節銷	1
10	GJ25	Screw (SM 11/64-40 × 6)	螺絲	1
11	J2011-2	Cushion Rubber	防震橡膠	1
12	J2012	Presser Foot Guide (R)	押腳固定擋邊(右)	1
13	J2013-1	Screw (SM 3/16-32 × 12)	螺絲	2
14	J2014-1	Presser Foot Guide (L)	押腳固定擋邊(左)	1
15	J2015	Screw (SM 3/16-32 × 12)	螺絲	2
16		Presser Foot	押腳組	
17	J2017-1	Lever	抬押腳揚升器	1
18	J1409	Screw (SM 7/32-32 × 10)	螺絲	1
19	J2019	Latch	轉向器	1
20	J2020-1	Pin	插銷	1
21	SV227	Screw (M4-0.7 × 5)	螺絲	2
22	J2022	Screw (SM 1/4-40)	定位螺桿	1
23	J1225	Nut (SM 1/4-40)	螺母	1
24	J2024	Lever	押腳揚升器	1
25	J0408	Screw (SM 9/64-40 × 8)	螺絲	2
26	J2026	Link (Long)	連接柄(長)	1
27	J2027	Screw (SM 11/64-40 × 3)	螺絲(長)	2
28	J2619	Screw (SM 11/64-40 × 6)	螺絲	2
29	J2029	Link (Short)	連接柄(短)	1
31	J2031	Tension Release Bar	拉力釋放桿	1
32	J2032	Lever	押腳提升器	1
33	J2033	Screw	螺絲	1
35	J2035	Fabric Guide	導布器(萊克布用)	1
36				
37	J2037	Guide Plate (Right)	滑座固定板(右)	1
38	J2038-1	Guide Plate (Left)	滑座固定板(左)	1
39	J2039-S	Fabric Guide	導布器	1
40	J1420	Screw (SM 3/32-56 × 3.3)	螺絲	1
41	J2041	Screw (SM 3/32-56 × 3.5)	螺絲	1
42				
43	GJ25	Screw (SM 11/64-40 × 5.5)	螺絲	1
44-1	J2044-S3	Bracket-S	滑座(短)	1
44-2	J2044-L2	Bracket-L	滑座(長)	
45	J2045	Flat Spring	彈簧片	1
46	J2046	Screw (SM 3/32-56 × 2.6)	螺絲	1
47	J2047-2	Bushing	套筒	1
48	J2048	Foot Sleeve	押腳套管	1
49	J2049	Slide Fabric Guide Assy	導布器滑座整組	1
50	J2050	Adjusting Nut (M6-1.0)	調節螺帽	1
51	J2051	Adjusting Bushing	調節套筒	1

19-1



Presser Foot Driving Mechanism (2)(Pneumatic Type)

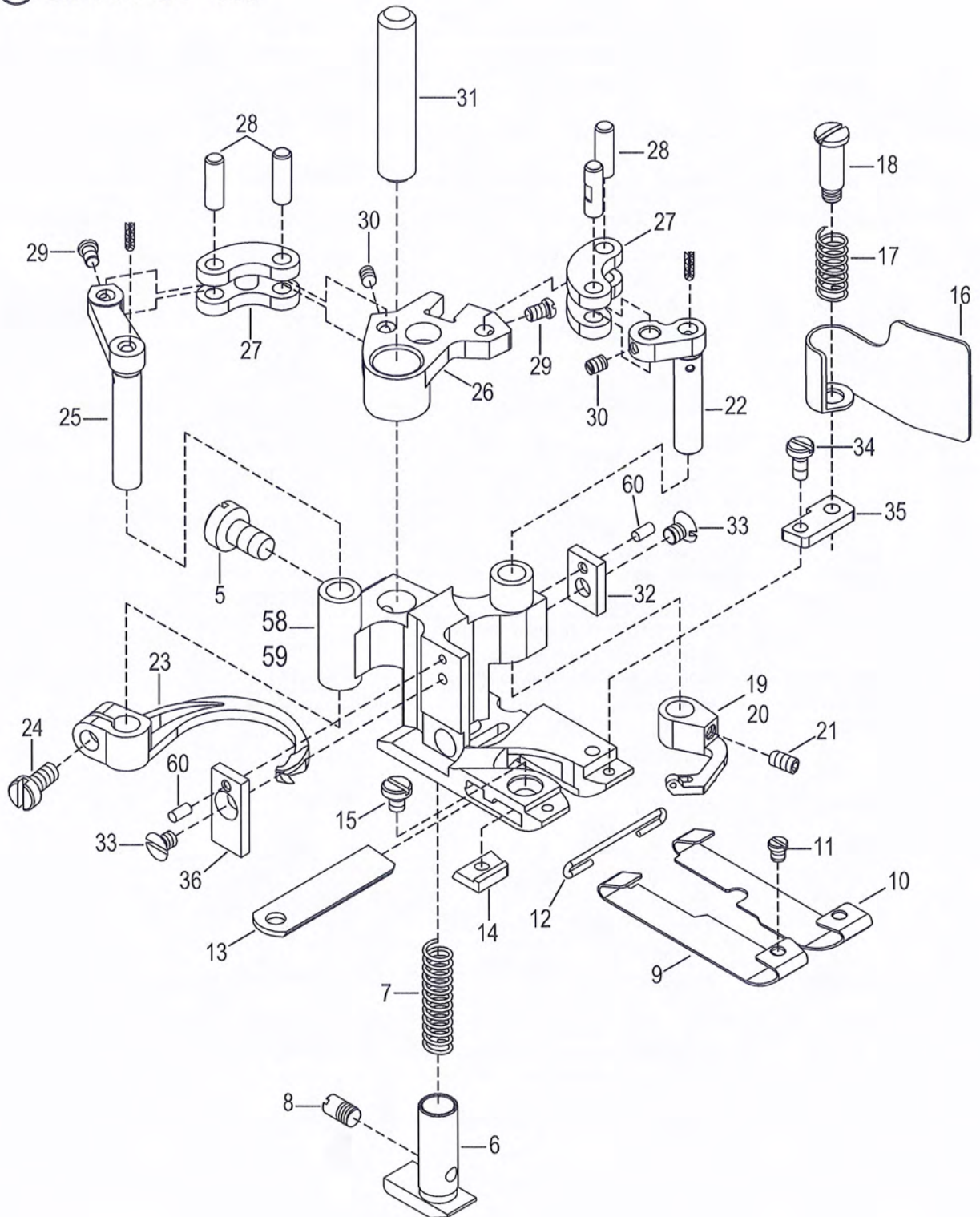
壓腳驅動機構 (2)(氣壓式)

20-1

Ref. No.	Parts No.	Description	產品名稱	Amt. Req.
1				
2				
3				
4	J2004	Presser Bar	押腳棒	1
5	J2005-1	Guide Block	押腳固定臂	1
6	SV122	Screw (SM 11/64-40 × 9)	螺絲	1
7	J2007-3	Adjusting Nut	調節螺母	1
8	J2008-3	Pin	調節銷	1
10	GJ25	Screw (SM 11/64-40 × 6)	螺絲	1
11	J2011-2	Cushion Rubber	防震橡膠	1
12	J2012	Presser Foot Guide (R)	押腳固定擋邊(右)	1
13	J2013-1	Screw (SM 3/16-32 × 12)	螺絲	2
14	J2014-1	Presser Foot Guide (L)	押腳固定擋邊(左)	1
15	J2015	Screw (SM 3/16-32 × 12)	螺絲	2
16		Presser Foot	押腳組	
17	J2017-1	Lever	抬押腳揚升器	1
18	J1409	Screw (SM 7/32-32 × 10)	螺絲	1
19	J2019	Latch	轉向器	1
20	J2020-1	Pin	插銷	1
21	SV227	Screw (M4-0.7 × 5)	螺絲	2
22	J2022	Screw (SM 1/4-40)	定位螺桿	1
23	J1225	Nut (SM 1/4-40)	螺母	1
24	J2024	Lever	押腳揚升器	1
25	J0408	Screw (SM 9/64-40 × 8)	螺絲	2
26	J2026	Link (Long)	連接柄(長)	1
27	J2027	Screw (SM 11/64-40 × 3)	螺絲(長)	2
28	J2619	Screw (SM 11/64-40 × 6)	螺絲	2
29	J2029	Link (Short)	連接柄(短)	1
31	J2031	Tension Release Bar	拉力釋放桿	1
32	J2032	Lever	押腳提升器	1
33	J2033	Screw	螺絲	1
35	J2035	Fabric Guide	導布器(萊克布用)	1
37	J2037-1	Guide Plate (Right)	滑座固定板(右)	1
38	J2038	Guide Plate (Left)	滑座固定板(左)	1
39	J2039-S	Fabric Guide	導布器	1
40	J1420	Screw (SM 3/32-56 × 3.3)	螺絲	1
41	J2041	Screw (SM 3/32-56 × 3.5)	螺絲	1
43	GJ25	Screw (SM 11/64-40 × 5.5)	螺絲	1
44-1	J2044-S3	Bracket-S	滑座 (短)	1
44-2	J2044-L2	Bracket-L	滑座 (長)	
45	J2045	Flat Spring	彈簧片	1
46	J2046	Screw (SM 3/32-56 × 2.6)	螺絲	1
47	J2047-2	Bushing	套筒	1
48				
49	J2049	Slide Fabric Guide Assy	導布器滑座整組	1
50	J2050	Adjusting Nut (M6-1.0)	調節螺帽	1
51	J2051	Adjusting Bushing	調節套筒	1
56	J2056	Trimming Cylinder Base	氣壓缸座	1
57	J2057	Universal Coupling Set	萬向接頭(母)	1
58	J2058	Foot Sleeve	押腳套管	1
59	J2059	Universal Coupling Set	萬向接頭(公)	1
60	J2060	Trimming Cylinder	氣壓缸	1
61	21-14	Adjusting Value	調節閥	2
62	J2062	Screw (M3-0.5 × 30)	螺絲	2
63	15-19	Nut (M6-1.0)	螺母	1
64	SV242	Screw (M4-0.7 × 3)	螺絲	3

21-1

- ① SL-701-G0×452
- ② SL-701-G0×460
- ③ SL-701-G1×452
- ④ SL-701-G1×460



SL-701-G0 & SL-701-G1 Single Edge Trimming(單切)

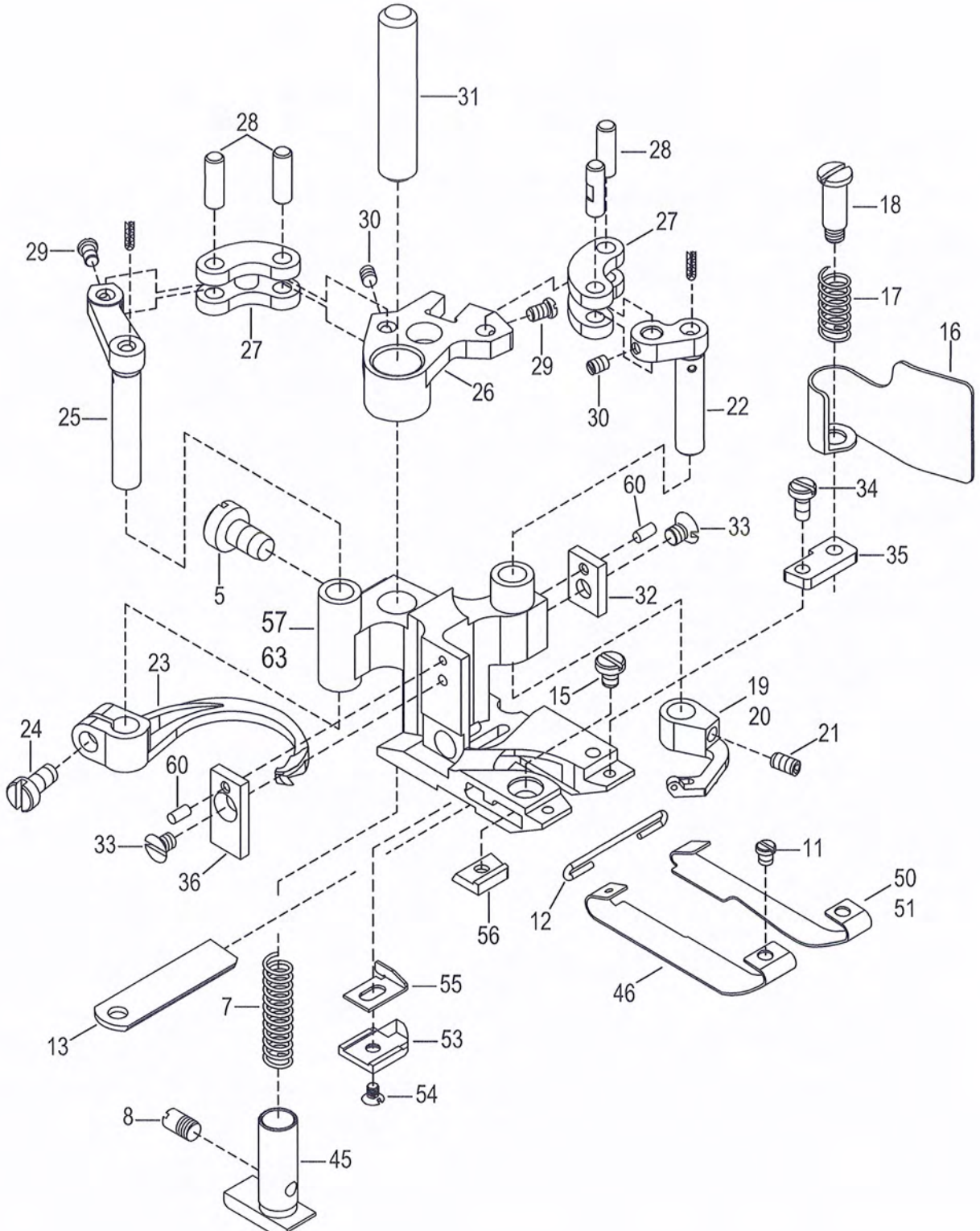
Presser Foot (without Groove)無溝押腳

22-1

Presser Foot (with Groove)有溝押腳

Ref. No.	Parts No.	Description	產品名稱	Amt. Req.
1	J2201	Presser Foot Assy. #452	押腳(組)單切無溝	
2	J2202	Presser Foot Assy. #460	押腳(組)單切無溝	
3	J2203	Presser Foot Assy.#452	押腳(組)單切有溝	
4	J2204	Presser Foot Assy.#460	押腳(組)單切有溝	
5	SF121	Screw (SM 11/64-40 × 7)	螺絲	1
6	J2206-21	Fabric Guard	壓布器	1
7	J2207	Spring	彈簧	1
8	J2208	Screw (SM 1/8-44 × 2.5)	螺絲	1
9	J2209	Presser Foot Shoe (L)	押腳滑板(左)	1
10	J2210	Presser Foot Shoe (R)	押腳滑板(右)	1
11	J2211	Screw (SM 3/32-56 × 2.5)	螺絲	1
12	J2212	Spring	C型鋼線	1
13	J2213-4	Lower Knife	下修刀	1
14	J2214-1	Lower Knife Clamp	下修刀固定片	
15	J2215	Screw (SM 1/8-44 × 5)	螺絲	1
16	J4216-6	Chip Guard	修刀護罩	1
17	J2217	Spring	彈簧	1
18	J4218	Screw (SM 1/8-44 × 2.3)	螺絲	1
19	J2219-2	Carrier	上飾線帶線器(短#452)	
20	J2220-3	Carrier	上飾線帶線器(短#460)	
21	J1657	Screw (SM 1/8-44 × 4)	螺絲	1
22	J2222	Crankshaft	L型曲軸(短)	1
23	J2223	Hook	上飾線勾針(短)	1
24	J2224	Screw (SM 1/8-44 × 7)	螺絲	1
25	J2225-1	Crankshaft	L型曲軸(長)	1
26	J2226	Segment	押腳曲柄	1
27	J2227-R1	Link	連接器	2
28	J2228-1	Pin	插銷	4
29	J2229	Screw (SM 3/32-56 × 3.5)	螺絲	2
30	J1033	Screw (SM 3/32-56 × 3)	螺絲	2
31	J2231	Pin	插銷	1
32	J2232-1	Presser Guide (R)	押腳導片(右)	1
33	J2233	Screw (SM 1/8-44 × 3.5)	螺絲	2
34	J2277	Screw (SM 3/32-56 × 6)	螺絲	1
35	J4240-1	Extension Plate	延伸板	1
36	J2236	Presser Guide (L)	押腳導片(左)	1
58	J2258-2	Main Presser Foot (without Groove)	押腳主體 (無溝)2.35 m/m	1
59	J2259-3	Main Presser Foot (with Groove)	押腳主體 (有溝)2.35 m/m	
60	J0633	Pin	插銷	2

- | | | |
|----|---------------|-------------|
| ③7 | SL-703-G3×452 | SL-703S×452 |
| ③8 | SL-703-G3×460 | SL-703S×460 |
| ④7 | SL-703-G4×452 | |
| ④8 | SL-703-G4×460 | |



SL-703-G3 & SL-703-G4 Double Edge Trimming(雙切) Presser Foot (押腳)

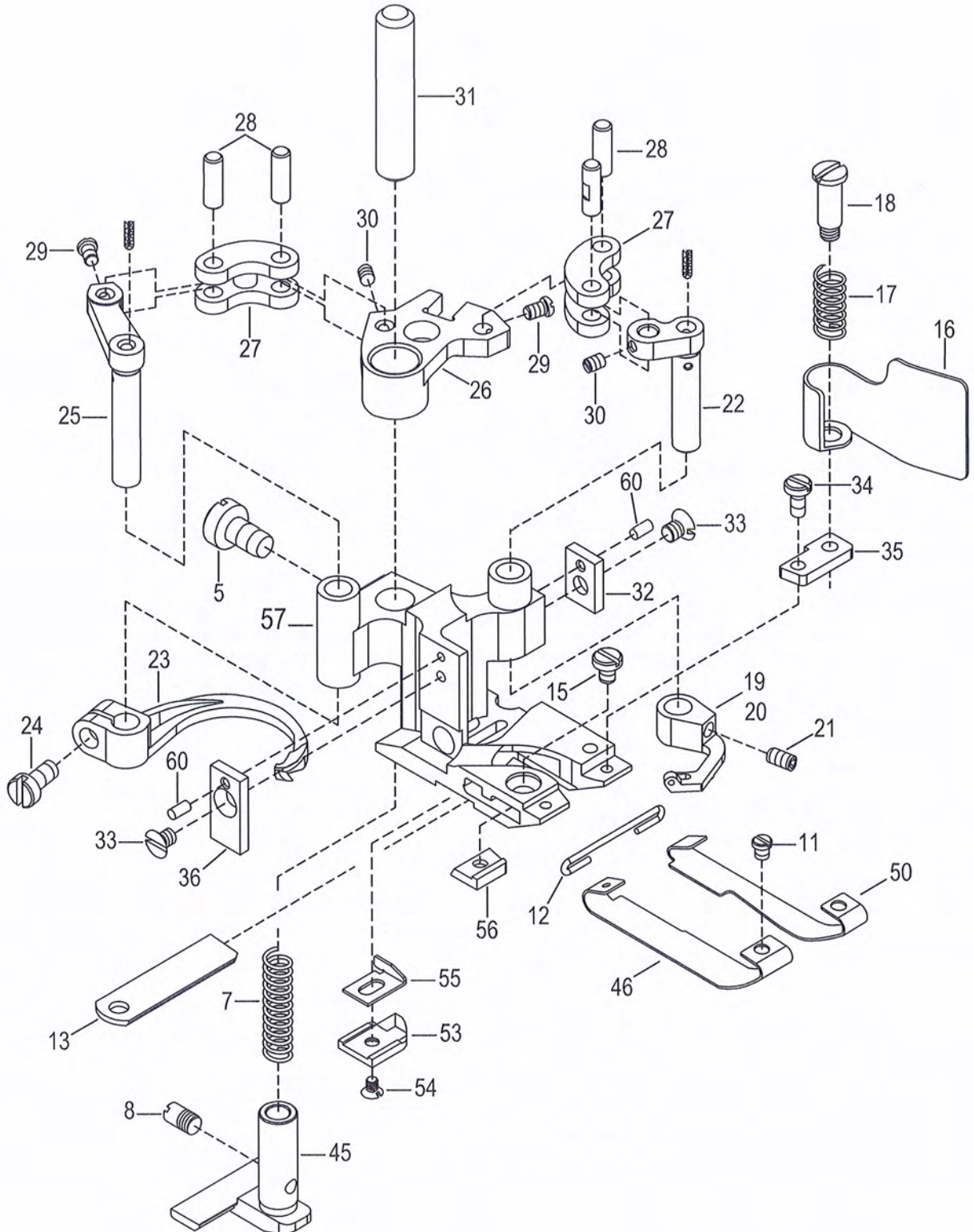
22-2

Ref. No.	Parts No.	Description	產品名稱	Amt. Req.
5	SF121	Screw (SM 11/64-40 × 7)	螺絲	1
7	J2207	Spring	彈簧	1
8	J2208	Screw (SM 1/8-44 × 2.5)	螺絲	1
11	J2211	Screw (SM 3/32-56 × 2.5)	螺絲	1
12	J2212	Spring	C型鋼線	1
13	J2213-4	Lower Knife	下修刀	1
15	J2215	Screw (SM 1/8-44 × 5)	螺絲	1
16	J4216-1	Chip Guard	修刀護罩	1
17	J2217	Spring	彈簧	1
18	J4218	Screw (SM 1/8-44 × 2.3)	螺絲	1
19	J2219-2	Carrier	上飾線帶線器(短#452)	1
20	J2220-3	Carrier	上飾線帶線器(短#460)	1
21	J1657	Screw (SM 1/8-44 × 4)	螺絲	1
22	J2222	Crankshaft	L型曲軸(短)	1
23	J2223	Hook	上飾線勾針(短)	1
24	J2224	Screw (SM 1/8-44 × 7)	螺絲	1
25	J2225-1	Crankshaft	L型曲軸(長)	1
26	J2226	Segment	押腳曲柄	1
27	J2227-1	Link	連接器	2
28	J2228-1	Pin	插銷	4
29	J2229	Screw (SM 3/32-56 × 3.5)	螺絲	2
30	J1033	Screw (SM 3/32-56 × 3)	螺絲	2
31	J2231	Pin	插銷	1
32	J2232-1	Presser Guide (R)	押腳導片(右)	1
33	J2233	Screw (SM 1/8-44 × 3.5)	螺絲	2
34	J2277	Screw (SM 3/32-56 × 6)	螺絲	1
35	J4240-1	Extension Plate	延伸板	1
36	J2236	Presser Guide (L)	押腳導片(左)	1
37	J2237	Presser Foot Assy. #452	厚押腳(組)雙切 4mm	1
38	J2238	Presser Foot Assy. #460	厚押腳(組)雙切 4mm	1
45	J2245-21	Presser Foot Assy	壓布器	1
46	J2246	Presser Foot Shoe (L)	押腳滑板(左)	1
47	J2247	Presser Foot Assy. #452	厚押腳(組)雙切 4.7mm	1
48	J2248	Presser Foot Assy. #460	厚押腳(組)雙切 4.7mm	1
50	J2251-1	Presser Foot Shoe (R)	押腳滑板(右) 4.7mm	1
51	J2251	Presser Foot Shoe (R)	押腳滑板(右) 4.0mm	1
53	J2253	Presser Foot Finger	導布器	1
54	J2254	Screw (SM 3/32-56 × 3.5)	螺絲	1
55	J2255	Fabric Guide	導布片	1
56	J2214-1	Lower Knife Clamp	下修刀固定片	1
57	J2257-4	Main Presser Foot (Thick)	押腳主體(厚) 4.0mm	1
63	J2263	Main Presser Foot (Thick)	押腳主體(厚) 4.7mm	1
64	J0633	Pin	插銷	2

21-2T

車縫布料 Material
中厚至厚 Medium to Heavy

- ③⑦ SL-703-G3T×452
- ③⑧ SL-703-G3T×460
- ③⑨ SL-703-G3T×552



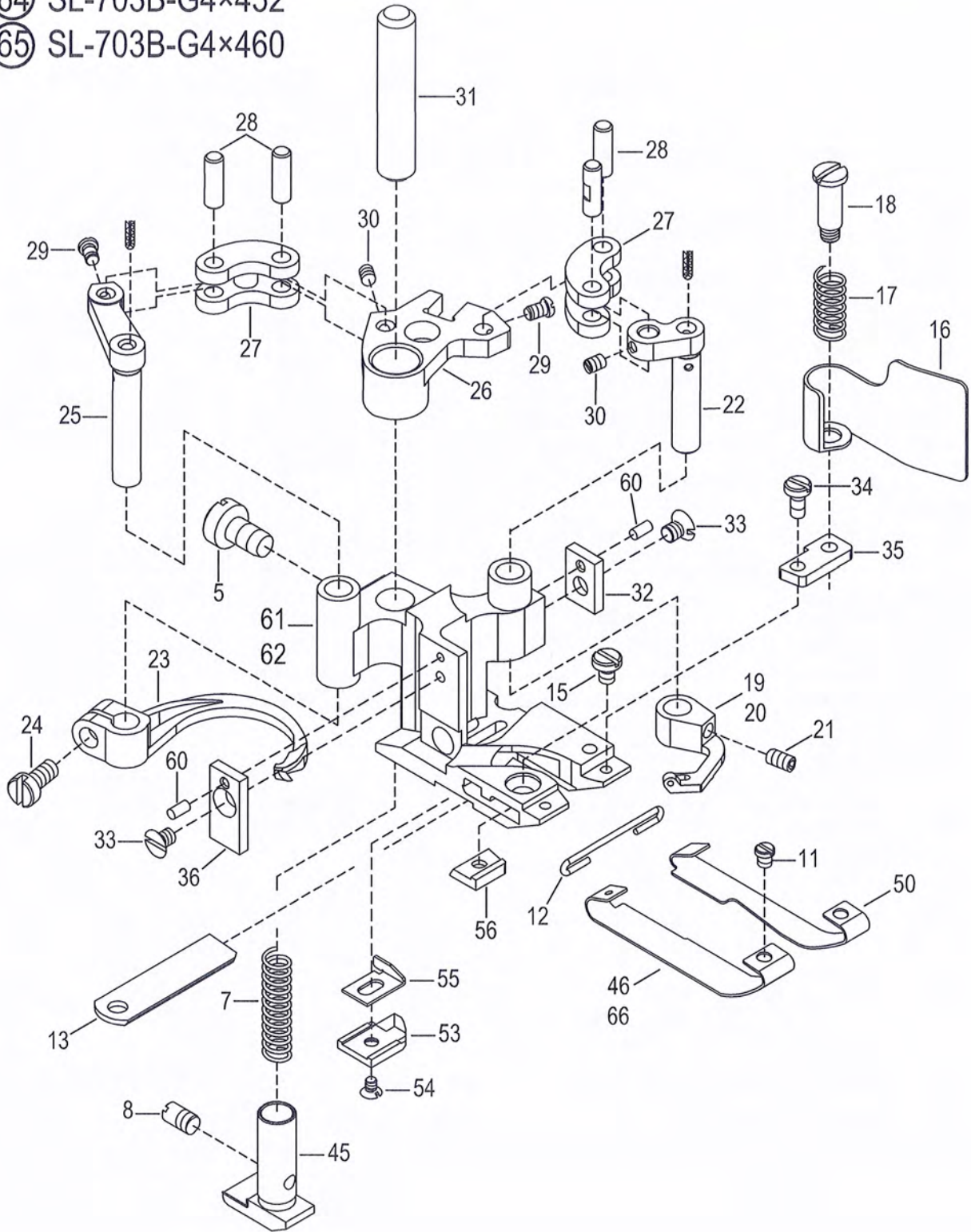
SL-703-G3T

Double Edge Trimming(雙切) Presser Foot(押腳)

22-2T

Ref. No.	Parts No.	Description	產品名稱	Amt. Req.
5	SF121	Screw (SM 11/64-40 × 7)	螺絲	1
7	J2207	Spring	彈簧	1
8	J2208	Screw (SM 1/8-44 × 2.5)	螺絲	1
11	J2211	Screw (SM 3/32-56 × 2.5)	螺絲	1
12	J2212	Spring	C型鋼線	1
13	J2213-4	Lower Knife	下修刀	1
15	J2215	Screw (SM 1/8-44 × 5)	螺絲	1
16	J4216-1	Chip Guard	修刀護罩	1
17	J2217	Spring	彈簧	1
18	J4218	Screw (SM 1/8-44 × 2.3)	螺絲	1
19	J2219-2	Carrier	上飾線帶線器(短#452,552)	1
20	J2220-3	Carrier	上飾線帶線器(短#460)	1
21	J1657	Screw (SM 1/8-44 × 4)	螺絲	1
22	J2222	Crankshaft	L型曲軸(短)	1
23	J2223	Hook	上飾線勾針(短)	1
24	J2224	Screw (SM 1/8-44 × 7)	螺絲	1
25	J2225-1	Crankshaft	L型曲軸(長)	1
26	J2226	Segment	押腳曲柄	1
27	J2227-1	Link	連接器	2
28	J2228-1	Pin	插銷	4
29	J2229	Screw (SM 3/32-56 × 3.5)	螺絲	2
30	J1033	Screw (SM 3/32-56 × 3)	螺絲	2
31	J2231	Pin	插銷	1
32	J2232-1	Presser Guide (R)	押腳導片(右)	1
33	J2233	Screw (SM 1/8-44 × 3.5)	螺絲	2
34	J2277	Screw (SM 3/32-56 × 6)	螺絲	1
35	J4240-1	Extension Plate	延伸板	1
36	J2236	Presser Guide (L)	押腳導片(左)	1
37	G3T-452	Presser Foot Assy. #452	厚押腳(組)雙切 4mm#452	1
38	G3T-460	Presser Foot Assy. #460	厚押腳(組)雙切 4mm#460	1
39	G3T-552	Presser Foot Assy. #552	厚押腳(組)雙切 4mm#552	1
45	J2245-21	Presser Foot Assy	壓布器	1
46	J4236	Presser Foot Shoe (L)	押腳滑板(左)4mm	1
50	J4230	Presser Foot Shoe (R)	押腳滑板(右)4mm	1
53	J2253	Presser Foot Finger	導布器	1
54	J2254	Screw (SM 3/32-56 × 3.5)	螺絲	1
55	J2255	Fabric Guide	導布片	1
56	J2214-1	Lower Knife Clamp	下修刀固定片	1
57	J2257-4	Main Presser Foot (Thick)	押腳主體(厚) 4.0mm	1
60	J0633	Pin	插銷	2

- ③⑨ SL-703A-G4×452
- ④⑩ SL-703A-G4×460
- ⑥④ SL-703B-G4×452
- ⑥⑤ SL-703B-G4×460



SL-703A-G4

Double Edge Trimming(雙切) 1.0mm Stepped Presser Foot(1.0mm段差押腳)

22-3

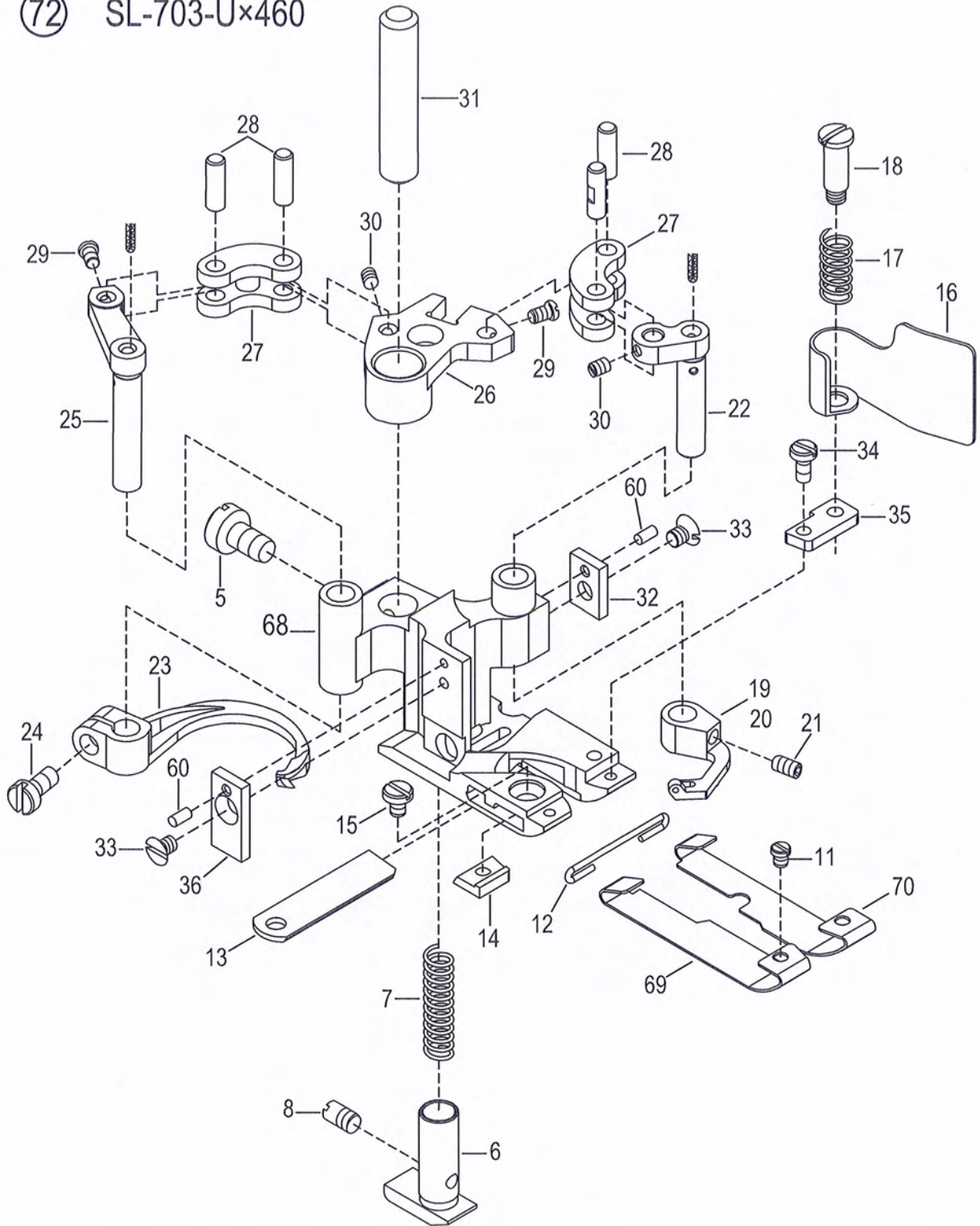
SL-703B-G4

Double Edge Trimming(雙切) 1.5mm Stepped Presser Foot(1.5mm段差押腳)

Ref. No.	Parts No.	Description	產品名稱	Amt. Req.
5	SF121	Screw (SM 11/64-40 × 7)	螺絲	1
7	J2207	Spring	彈簧	1
8	J2208	Screw (SM 1/8-44 × 2.5)	螺絲	1
11	J2211	Screw (SM 3/32-56 × 2.5)	螺絲	1
12	J2212	Spring	C型鋼線	1
13	J2213-4	Lower Knife	下修刀	1
15	J2215	Screw (SM 1/8-44 × 5)	螺絲	1
16	J4216-1	Chip Guard	修刀護罩	1
17	J2217	Spring	彈簧	1
18	J4218	Screw (SM 1/8-44 × 2.3)	螺絲	1
19	J2219-2	Carrier	上飾線帶線器(短#452)	1
20	J2220-3	Carrier	上飾線帶線器(短#460)	1
21	J1657	Screw (SM 1/8-44 × 4)	螺絲	1
22	J2222	Crankshaft	L型曲軸(短)	1
23	J2223	Hook	上飾線勾針(短)	1
24	J2224	Screw (SM 1/8-44 × 7)	螺絲	1
25	J2225-1	Crankshaft	L型曲軸(長)	1
26	J2226	Segment	押腳曲柄	1
27	J2227-1	Link	連接器	2
28	J2228-1	Pin	插銷	4
29	J2229	Screw (SM 3/32-56 × 3.5)	螺絲	2
30	J1033	Screw (SM 3/32-56 × 3)	螺絲	2
31	J2231	Pin	插銷	1
32	J2232-1	Presser Guide (R)	押腳導片(右)	1
33	J2233	Screw (SM 1/8-44 × 3.5)	螺絲	2
34	J2277	Screw (SM 3/32 - 56 × 6)	螺絲	1
35	J4240-1	Extension Plate	延伸板	1
36	J2236	Presser Guide (L)	押腳導片(左)	1
39	J2239A	1.0mm Stepped Presser Foot Assy. #452	1.0mm段差押腳(組)雙切	1
40	J2240A	1.0mm Stepped Presser Foot Assy. #460	1.0mm段差押腳(組)雙切	1
45	J2245-21	Presser Foot Assy	壓布器	1
46	J2246	Presser Foot Shoe (L)	1.0mm段差滑板(左)	1
50	J2251-1	Presser Foot Shoe (R)	1.0mm段差滑板(右)	1
53	J2253	Presser Foot Finger	導布器	1
54	J2254	Screw (SM 3/32-56 × 3.5)	螺絲	1
55	J2255	Fabric Guide	導布片	1
56	J2214-1	Lower Knife Clamp	下修刀固定片	1
60	J0633	Pin	插銷	2
61	J2261	Stepped Presser Foot (Thick) 1.0mm	段差押腳主體 1.0mm	1
62	J2262	Stepped Presser Foot (Thick) 1.5mm	段差押腳主體 1.5mm	1
64	J2264B	1.5mm Stepped Presser Foot Assy. #452	1.5mm段差押腳(組)	1
65	J2265B	1.5mm Stepped Presser Foot Assy. #460	1.5mm段差押腳(組)	1
66	J2266	Presser Foot Shoe (L)	1.5mm段差滑板(左)	1

⑦① SL-703-U×452

⑦② SL-703-U×460



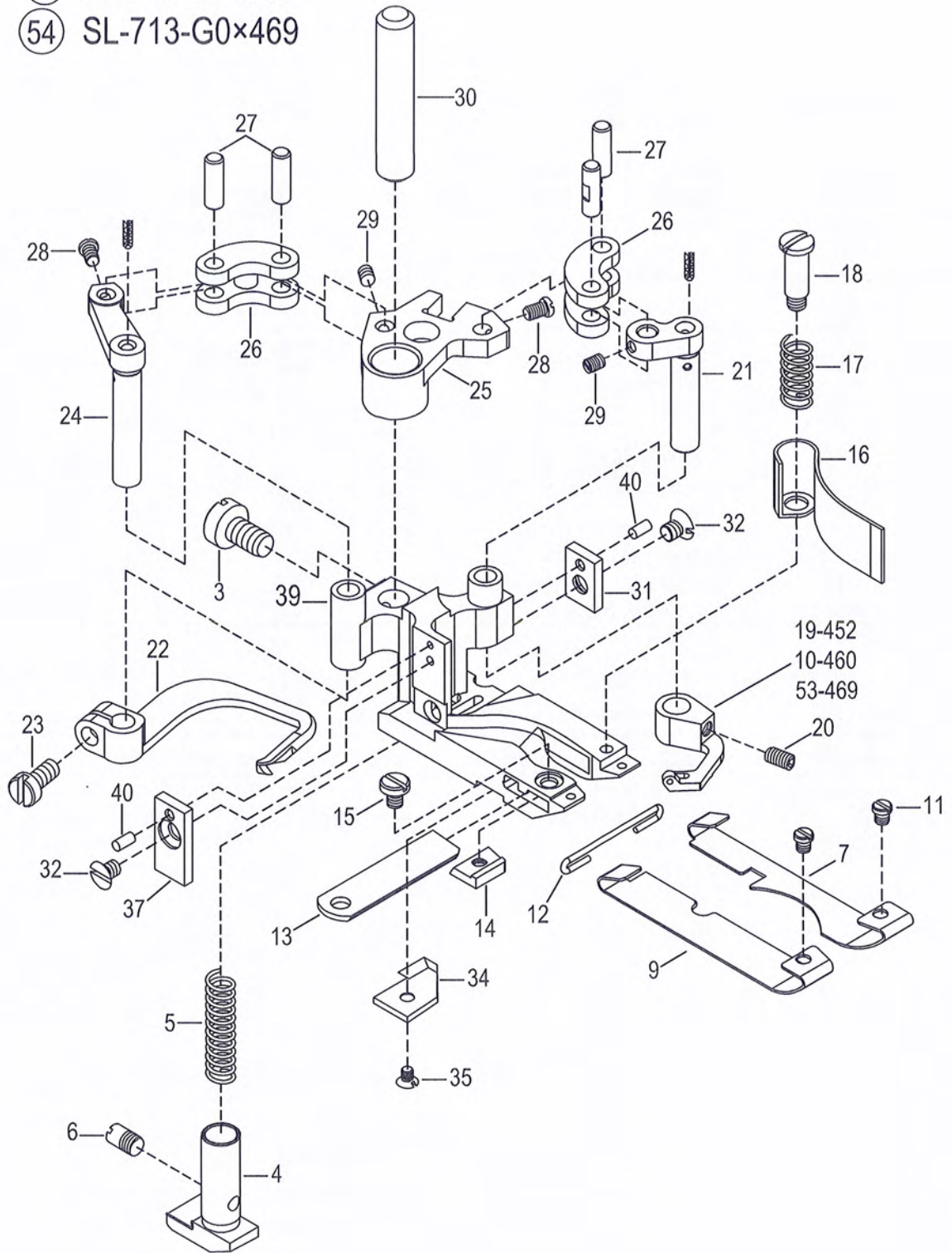
SL-703-U

Butt Seams (Double Edge Trimming)雙切(接縫) Presser Foot (without Groove)無溝押腳

22-4

Ref. No.	Parts No.	Description	產品名稱	Amt. Req.
5	SF121	Screw (SM 11/64-40 × 7)	螺絲	1
6	J2206-31	Fabric Guard	壓布器	1
7	J2207	Spring	彈簧	1
8	J2208	Screw (SM 1/8-44 × 2.5)	螺絲	1
11	J2211	Screw (SM 3/32-56 × 2.5)	螺絲	1
12	J2212	Spring	C型鋼線	1
13	J2213-4	Lower Knife	下修刀	1
14	J2214-1	Lower Knife Clamp	下修刀固定片	
15	J2215	Screw (SM 1/8-44 × 5)	螺絲	1
16	J4216-1	Chip Guard	修刀護罩	1
17	J2217	Spring	彈簧	1
18	J4218	Screw (SM 1/8-44 × 2.3)	螺絲	1
19	J2219-2	Carrier	上飾線帶線器 (短#452)	
20	J2220-3	Carrier	上飾線帶線器 (短#460)	
21	J1657	Screw (SM 1/8-44 × 4)	螺絲	1
22	J2222	Crankshaft	L型曲軸(短)	1
23	J2223	Hook	上飾線勾針(短)	1
24	J2224	Screw (SM 1/8-44 × 7)	螺絲	1
25	J2225-1	Crankshaft	L型曲軸(長)	1
26	J2226	Segment	押腳曲柄	1
27	J2227-1	Link	連接器	2
28	J2228-1	Pin	插銷	4
29	J2229	Screw (SM 3/32-56 × 3.5)	螺絲	2
30	J1033	Screw (SM 3/32-56 × 3)	螺絲	2
31	J2231	Pin	插銷	1
32	J2232-1	Presser Guide (R)	押腳導片(右)	1
33	J2233	Screw (SM 1/8-44 × 3.5)	螺絲	2
34	J2277	Screw (SM 3/32-56 × 6)	螺絲	1
35	J4240-1	Extension Plate	延伸板	1
36	J2236	Presser Guide (L)	押腳導片(左)	1
60	J0633	Pin	插銷	2
68	J2268-2	Main Presser Foot (without Groove)	押腳主體 (無溝接縫)1.6	1
69	J2269	Presser Foot Shoe (L)	押腳滑板(左)	1
70	J2270	Presser Foot Shoe (R)	押腳滑板(右)	1
71	J2271	Presser Foot Assy.	押腳(組)單切無溝	
72	J2272	Presser Foot Assy.	押腳(組)單切無溝	
78	J2278	Carrier	上飾線帶線器 (短#464)	

- ① SL-713-G0×452
- ② SL-713-G0×460
- ⑤④ SL-713-G0×469



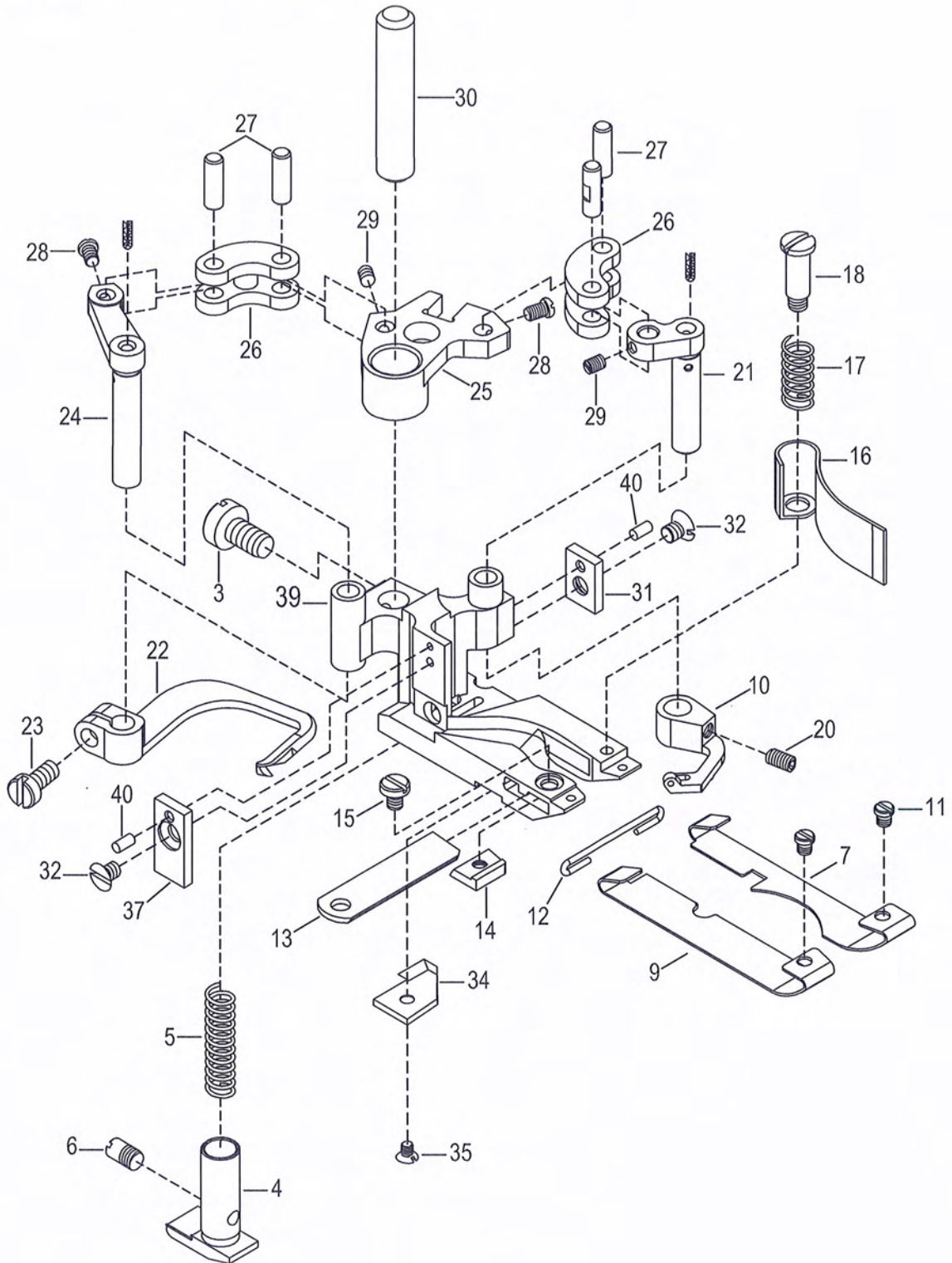
SL-713-G0

Double Edge Trimming雙切 Presser Foot (Long)長押腳

24-1

Ref. No.	Parts No.	Description	產品名稱	Amt. Req.
1	J2401	Presser Foot Assy. #452	押腳 (組)雙切	
2	J2402	Presser Foot Assy. #460	押腳 (組)雙切	
3	SF121	Screw (SM 11/64-40 × 7)	螺絲	1
4	J2404-11	Fabric Guide	壓布器	1
5	J2207	Spring	彈簧	1
6	J2208	Screw (SM 1/8-44 × 2.5)	螺絲	1
7	J2407	Presser Foot Shoe (R)	押腳滑板 (右)	1
8				
9	J2409	Presser Foot Shoe (L)	押腳滑板 (左)	1
10	J2220-3	Carrier (Short)	上飾線帶線器 (短#460)	
11	J2211	Screw (SM 3/32-56 × 2.5)	螺絲	2
12	J2212	Spring	C型鋼線	1
13	J2213-4	Lower Knife	下修刀	1
14	J2414	Lower Knife Clamp	下修刀固定片	1
15	J2215	Screw (SM 1/8-44 × 5)	螺絲	1
16	J2416	Chip Guard	修刀護罩	1
17	J2217	Spring	彈簧	1
18	J4218	Screw (SM 1/8-44 × 2.3)	螺絲	1
19	J2219-2	Carrier (Short)	上飾線帶線器 (短#452)	
20	J1657	Screw (SM 1/8-44 × 4)	螺絲	1
21	J2222	Crankshaft (Short)	L型曲軸 (短)	1
22	J2422	Hook (Long)	上飾線勾針 (長)	1
23	J2224	Screw (SM 1/8-44 × 7)	螺絲	1
24	J2225-1	Crankshaft (Long)	L型曲軸 (長)	1
25	J2226	Segment	押腳曲柄	1
26	J2227-1	Link	連接器	2
27	J2228-1	Pin	插銷	4
28	J2229	Screw (SM 3/32-56 × 3.5)	螺絲	2
29	J1033	Screw (SM 3/32-56 × 3)	螺絲	2
30	J2231	Pin	固定銷	1
31	J2232-1	Bracket (R)	押腳導片 (右)	1
32	J2233	Screw (SM 1/8-44 × 3.5)	螺絲	2
33				
34	J2434	Presser Foot Finger	導布器	1
35	J2254	Screw (SM 3/32- 56 × 3.5)	螺絲	1
36				
37	J2236	Presser Guide (Left)	押腳導片 (左)	1
38				
39	J2439	Main Presser Foot (Long)	押腳主體 (長) 4.2 m/m	1
40	J0633	Pin	插銷	2
53	J2453	Carrier	上飾線帶線器 (#469)	
54	J2454	Presser Foot Assy. #469	押腳 (組)雙切	

⑧ SL-713-G1×480



SL-713-G1

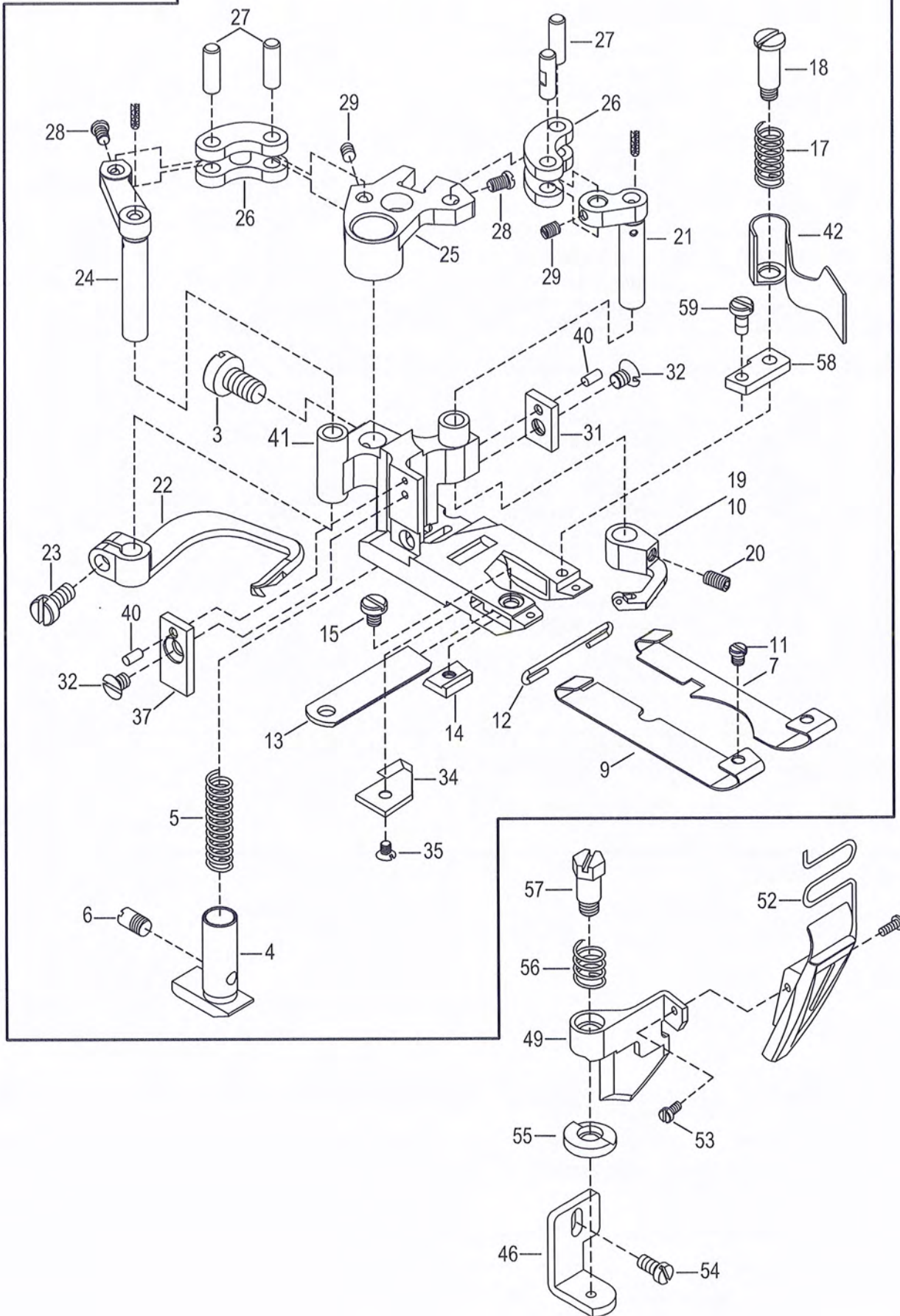
8mm Double Edge Trimming(雙切 8mm) Presser Foot(Long)(長押腳)

24-2

Ref. No.	Parts No.	Description	產品名稱	Amt. Req.
1				
2				
3	SF121	Screw (SM 11/64-40 × 7)	螺絲	1
4	J2404-11	Fabric Guide	壓布器	1
5	J2207	Spring	彈簧	1
6	J2208	Screw (SM 1/8-44 × 2.5)	螺絲	1
7	J2407	Presser Foot Shoe (R)	押腳滑板 (右)	1
8	J2408	Presser Foot Assy. #480	押腳 (組)雙切	
9	J2409	Presser Foot Shoe (L)	押腳滑板 (左)	1
10	J2410	Carrier (Short)	上飾線帶線器 (短#480)	
11	J2211	Screw (SM 3/32-56 × 2.5)	螺絲	2
12	J2212	Spring	C型鋼線	1
13	J2213-4	Lower Knife	下修刀	1
14	J2414	Lower Knife Clamp	下修刀固定片	1
15	J2215	Screw (SM 1/8-44 × 5)	螺絲	1
16	J2416	Chip Guard	修刀護罩	1
17	J2217	Spring	彈簧	1
18	J4218	Screw (SM 1/8-44 × 2.3)	螺絲	1
19				
20	J1657	Screw (SM 1/8- 44 × 4)	螺絲	1
21	J2222	Crankshaft (Short)	L型曲軸 (短)	1
22	J2423	Hook (Long)	上飾線勾針 (長) 480	1
23	J2224	Screw (SM 1/8-44 × 7)	螺絲	1
24	J2424	Crankshaft (Long)	L型曲軸 (長) 480	1
25	J2226	Segment	押腳曲柄	1
26	J2227-1	Link	連接器	2
27	J2228-1	Pin	插銷	4
28	J2229	Screw (SM 3/32-56 × 3.5)	螺絲	2
29	J1033	Screw (SM 3/32-56 × 3)	螺絲	2
30	J2231	Pin	固定銷	1
31	J2232-1	Bracket (R)	押腳導片 (右)	1
32	J2233	Screw (SM 1/8-44 × 3.5)	螺絲	2
33				
34	J2434	Presser Foot Finger	導布器	1
35	J2254	Screw (SM 3/32-56 × 3.5)	螺絲	1
36				
37	J2236	Presser Guide (Left)	押腳導片 (左)	1
38				
39	J2439-8	Main Presser Foot (Long)	押腳主體 (長) 480	1
40	J0633	Pin	插銷	2

④③ SL-713-G1×452

④④ SL-713-G1×460



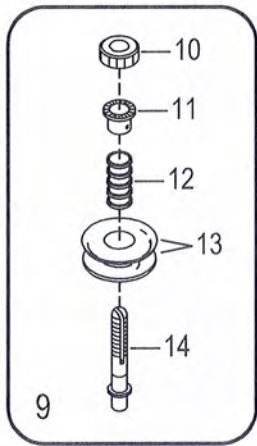
SL-713-G1

8mm Double Edge Trimming(雙切 8mm) Presser Foot(Long)(長押腳)

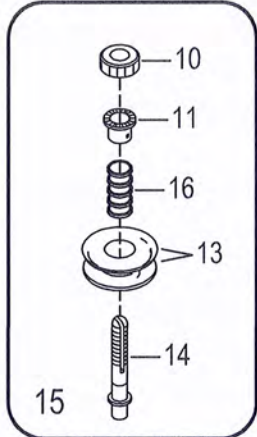
24-2

Ref. No.	Parts No.	Description	產品名稱	Amt. Req.
1				
2				
3	SF121	Screw (SM 11/64-40 × 7)	螺絲	1
4	J2404-11	Fabric Guide	壓布器	1
5	J2207	Spring	彈簧	1
6	J2208	Screw (SM 1/8-44 × 2.5)	螺絲	1
7	J2407	Presser Foot Shoe (R)	押腳滑板 (右)	1
8	J2408	Presser Foot Assy. #480	押腳 (組)雙切	
9	J2409	Presser Foot Shoe (L)	押腳滑板 (左)	1
10	J2410	Carrier (Short)	上飾線帶線器 (短#480)	
11	J2211	Screw (SM 3/32-56 × 2.5)	螺絲	2
12	J2212	Spring	C型鋼線	1
13	J2213-4	Lower Knife	下修刀	1
14	J2414	Lower Knife Clamp	下修刀固定片	1
15	J2215	Screw (SM 1/8-44 × 5)	螺絲	1
16	J2416	Chip Guard	修刀護罩	1
17	J2217	Spring	彈簧	1
18	J4218	Screw (SM 1/8-44 × 2.3)	螺絲	1
19				
20	J1657	Screw (SM 1/8- 44 × 4)	螺絲	1
21	J2222	Crankshaft (Short)	L型曲軸 (短)	1
22	J2423	Hook (Long)	上飾線勾針 (長) 480	1
23	J2224	Screw (SM 1/8-44 × 7)	螺絲	1
24	J2424	Crankshaft (Long)	L型曲軸 (長) 480	1
25	J2226	Segment	押腳曲柄	1
26	J2227-1	Link	連接器	2
27	J2228-1	Pin	插銷	4
28	J2229	Screw (SM 3/32-56 × 3.5)	螺絲	2
29	J1033	Screw (SM 3/32-56 × 3)	螺絲	2
30	J2231	Pin	固定銷	1
31	J2232-1	Bracket (R)	押腳導片 (右)	1
32	J2233	Screw (SM 1/8-44 × 3.5)	螺絲	2
33				
34	J2434	Presser Foot Finger	導布器	1
35	J2254	Screw (SM 3/32-56 × 3.5)	螺絲	1
36				
37	J2236	Presser Guide (Left)	押腳導片 (左)	1
38				
39	J2439-8	Main Presser Foot (Long)	押腳主體 (長) 480	1
40	J0633	Pin	插銷	2

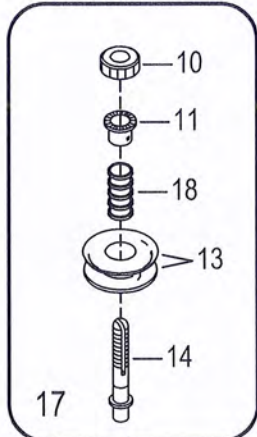
25



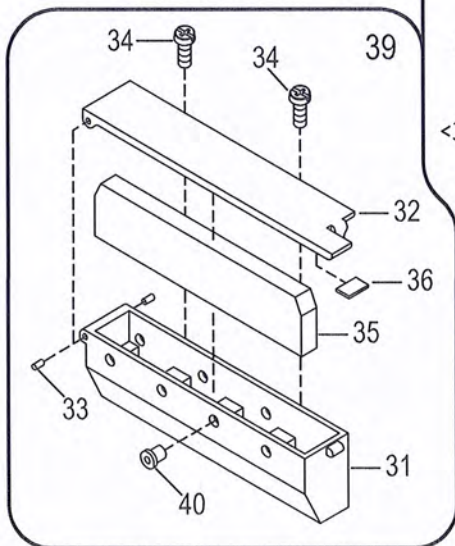
9



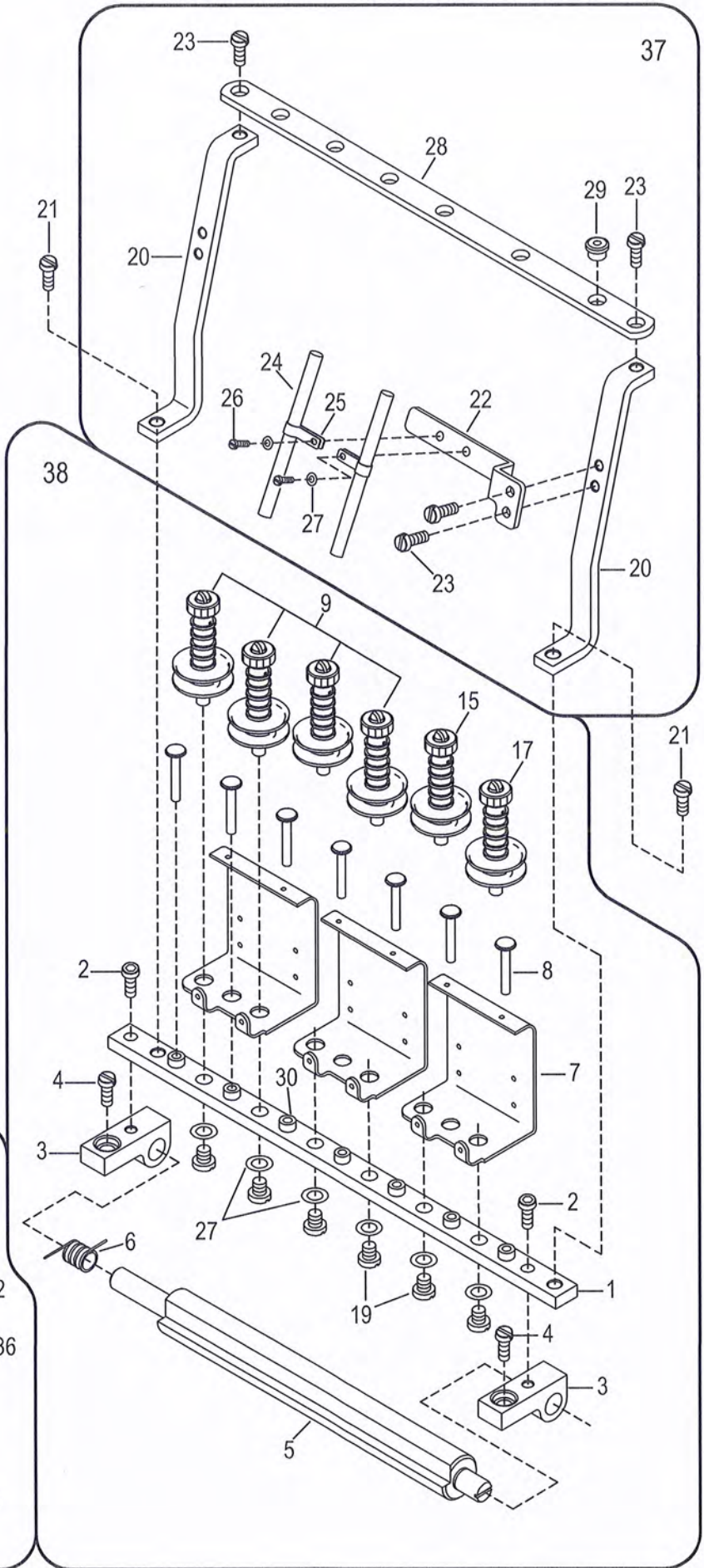
15



17



39



37

38

39

40

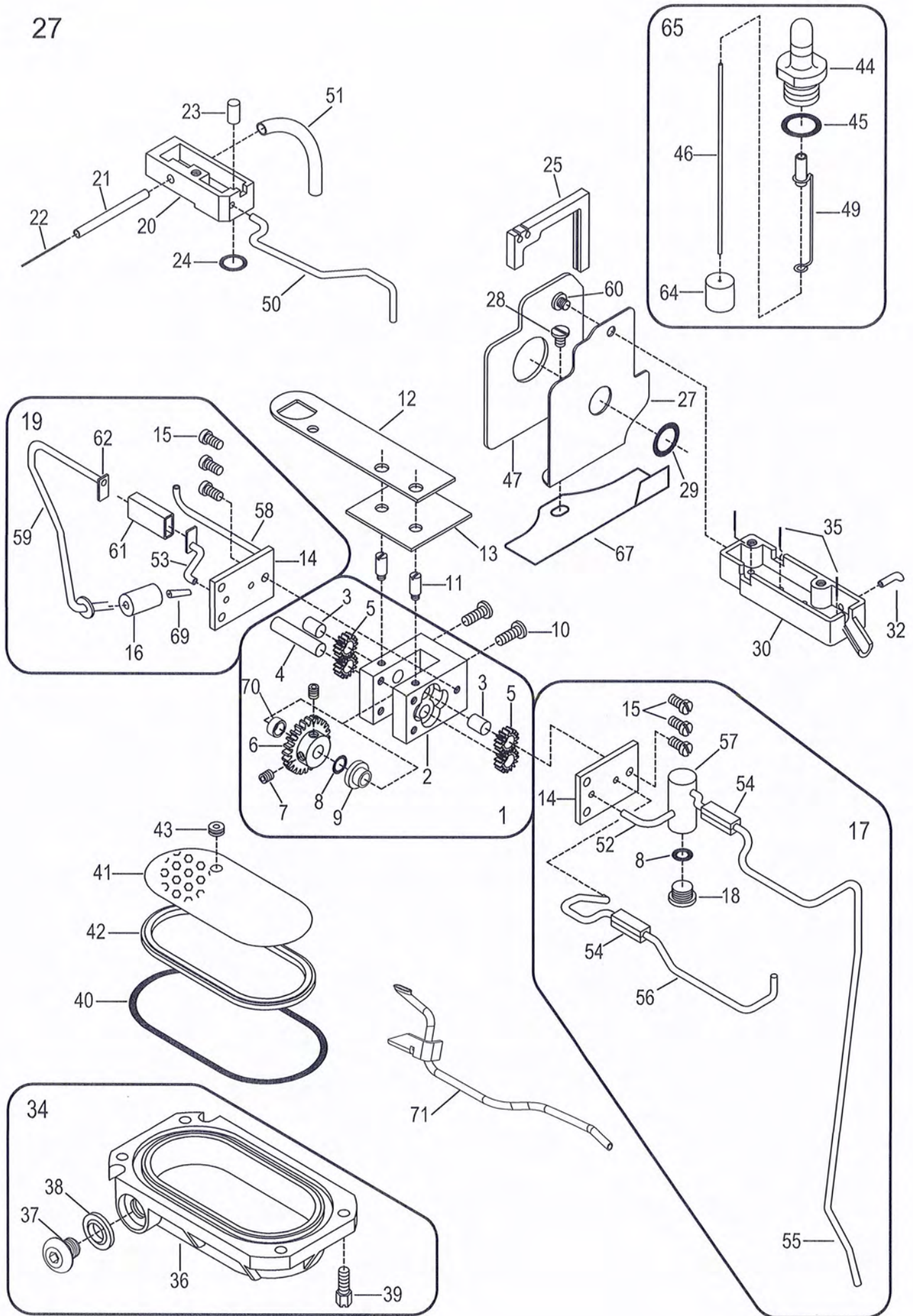
Thread Tension Mechanism

鬆線機構

26

Ref. No.	Parts No.	Description	產品名稱	Amt. Req.
1-1	J2601	Thread Guide Bracket	導線座(6線)	1
1-2	J2601-5	Thread Guide Bracket	導線座(7線)	
2	J2602	Screw (SM 3/16-32 × 13)	螺絲	2
3-1	J2603	Bracket	托架(6線)	2
3-2	J2603-5	Bracket	托架(7線)	
4	J2604	Screw (SM 7/32-32 × 16)	螺絲	2
5-1	J2605	Shaft (Thread Tension Release)	鬆線桿(6線)	1
5-2	J2605-5	Shaft (Thread Tension Release)	鬆線桿(7線)	
6	J2606	Spring	扭簧	1
7-1	J2607	Thread Guide	導線架(6線)	3
7-2	J2607-5	Thread Guide	導線架(7線)	
8	J2608	Thread Releaser Pin	鬆線頂銷	7
9	J2609	Tension Spring Assy	張力彈簧組(強)	4
10	J2610	Nut (SM 1/4-40)	張力調鈕	6
11	J2611	Tension Spring Bushing	張力調整定位套	6
12	J2612-1	Spring (Heavy)	彈簧(強)	4
13	FK14	Tension Disc	張力過線盤	12
14	J2614	Thread Guide Bar	張力導桿	6
15	J2615	Tension Spring Assy	張力彈簧組	1
16	J2616	Spring (Medium)	彈簧(中)	1
17	J2617	Tension Spring Assy	張力彈簧組	1
18	J2618	Spring (Light)	彈簧(弱)	1
19	J2619	Screw (SM 11/64-40 × 6)	螺絲	6
20	J2620	Bracket	托架	2
21	J2621	Screw (SM 15/64-28 × 15)	螺絲	2
22	J2622	Bracket	固定板	1
23	J0408	Screw (SM 9/64-40 × 8)	螺絲	4
24	J2624	Pipe	導線管	2
25	J1426	Bracket	固鈕	2
26	J0217	Screw (SM 11/64-40 × 5.5)	螺絲	2
27	WF04	Washer	華司	8
28-1	J2628	Thread Guide Plate	過線片(6線)	1
28-2	J2628-5	Thread Guide Plate	過線片(7線)	
29	J2629	Thread Guide	塑鋼線圈	6
30	J2630	Location Pipe	套筒	7
31-1	J2631	Silicone Oil Reservoir	矽油槽(6線)	1
31-2	J2631-5	Silicone Oil Reservoir	矽油槽(7線)	
32	J2632	Top Cover	上蓋	1
33	PF10	Spring Pin	插銷	2
34	J0403	Screw (SM 11/64-40 × 12)	螺絲	2
35	J2635-1	Oil Felt	吸油氈(長方型)	1
36	VB42-2	Cushion Felt	防震氈	1
37-1	J2637	Thread Eyelet Assy	過線組(6線)	1
37-2	J2637A	Thread Eyelet Assy	過線組(7線)	
38-1	J2638	Thread Tension Assy	鬆線組(6線)	1
38-2	J2638A	Thread Tension Assy	鬆線組(7線)	
39	J2639	Silicone Oil Reservoir Assy.	矽油組	1
40	FA20	Ceramic	陶瓷	8

27



Lubricating Mechanism

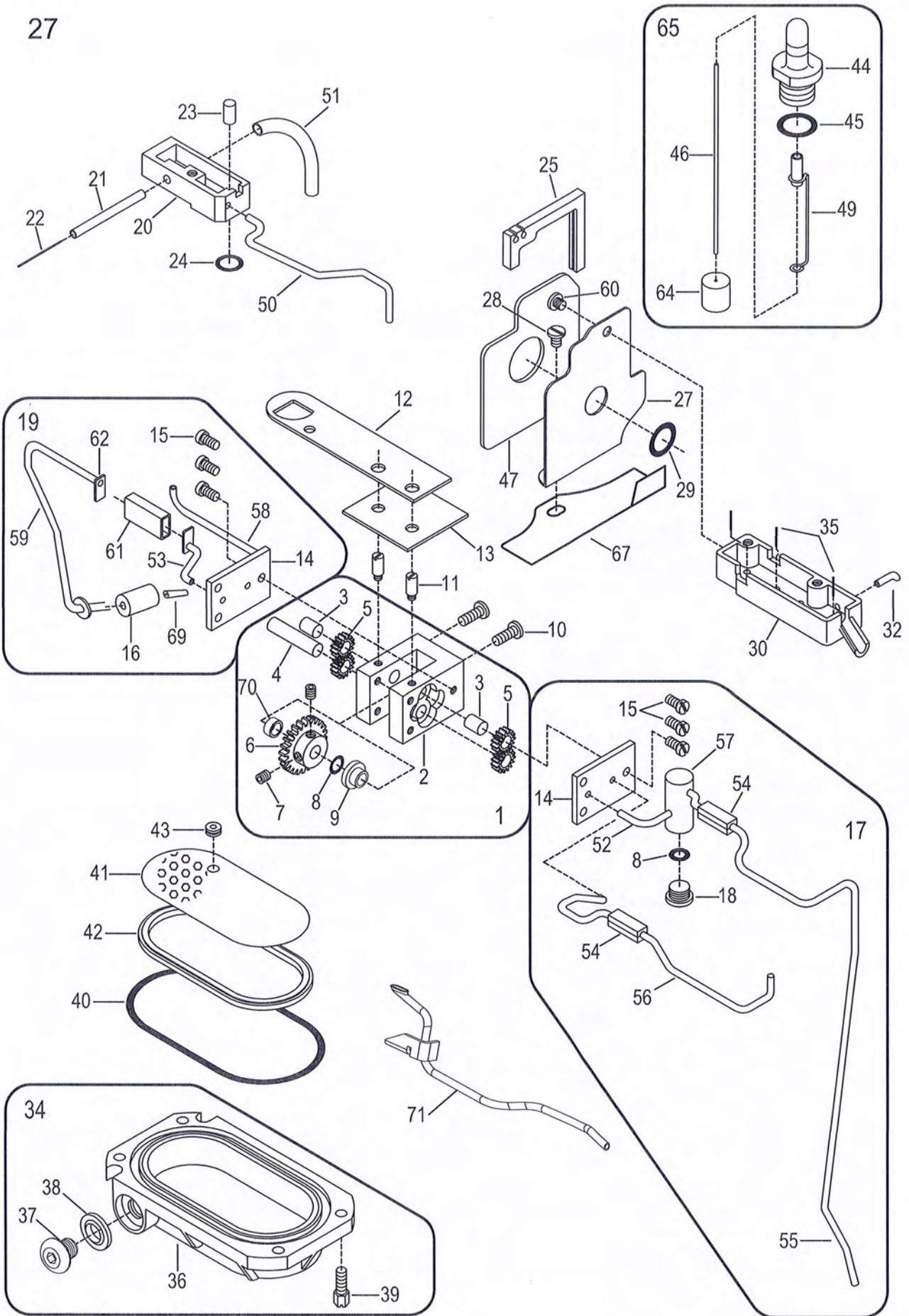
給油機構

28

Ref. No.	Parts No.	Description	產品名稱	Amt. Req.
1	J2801	Oil Pump Assy	油泵組	1
2	J2802-2	Pump Base	油泵座	1
3	J2803	Pin	心軸(短)	2
4	J2804-3	Pin	心軸(長)	2
5	J2805-1	Gear (Small)	齒輪(小)	4
6	J2806-3	Gear (Large)	齒輪(大)	1
7	J0207	Screw (SM 11/64-40 × 5)	螺絲	2
8	L0441	O Ring	O 型環	2
9	J2868-1	Gasket	銅套	1
10	J0403	Screw (SM 11/64-40 × 12)	螺絲	2
11	J2811	Screw (SM 9/64-40)	關節螺絲	2
12	J2812	Gasket	長型止油墊片	1
13	J2813	Gasket	四方型止油墊片	1
14	J2814-1	Oil Guide Cover	導油蓋	2
15	J0411	Screw (SM 9/64-40 × 7)	螺絲	6
16	J2816	Filter	濾油氈	1
17	J2817	Rear Oil Pipe Assy	下座吸油組	1
18	J0230	Screw (SM 3/8-28 × 4)	螺絲	1
19	J2819-2	Front Oil Pipe Assy	上座吸油組(細管)	1
20	J2820-2	Oil Cup Assy	承油槽(後)	1
21	J2821	Pipe	油蕊管	1
22	J2822	Oil String	油蕊	1
23	J2823	Oil Felt	油氈	1
24	J2824	O Ring	防震O 型環	1
25	J2825-1	Oil Stop Rubber	止油膠狀	1
26				
27	J2827-1	Oil Guide Rubber	導油片	1
28	J2619	Screw (SM 11/64-40 × 6)	螺絲	4
29	J2829	O Ring Ø12.7×Ø18×3	油封	1
30	J2830-1	Oil Cup (Front)	承油槽(前)	1
31				
32	J2832	Pipe	油蕊管	1
33				
34	J2834	Oil Reservoir Assy	油槽組	1
35	J2835	Oil String	油蕊	3
36	J2836	Oil Reservoir	油槽	1
37	J0267	Screw (SM 3/8-28 × 10.5)	螺絲	1
38	J0219-1	Oil Seal	方徑油環	1
39	J2015	Screw (SM 3/16-32 × 12)	螺絲	4
40	J2840	O Ring	油槽止油環	1

* Ref. No. 41 to 71 See the following page

27



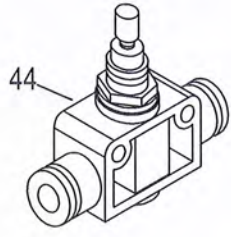
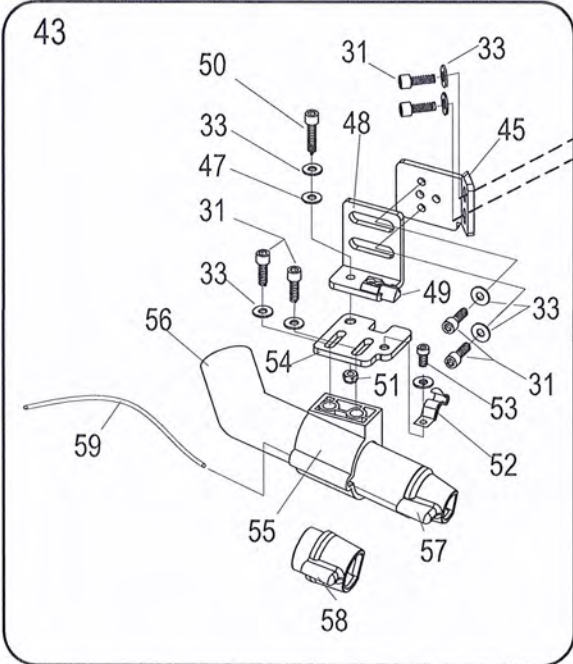
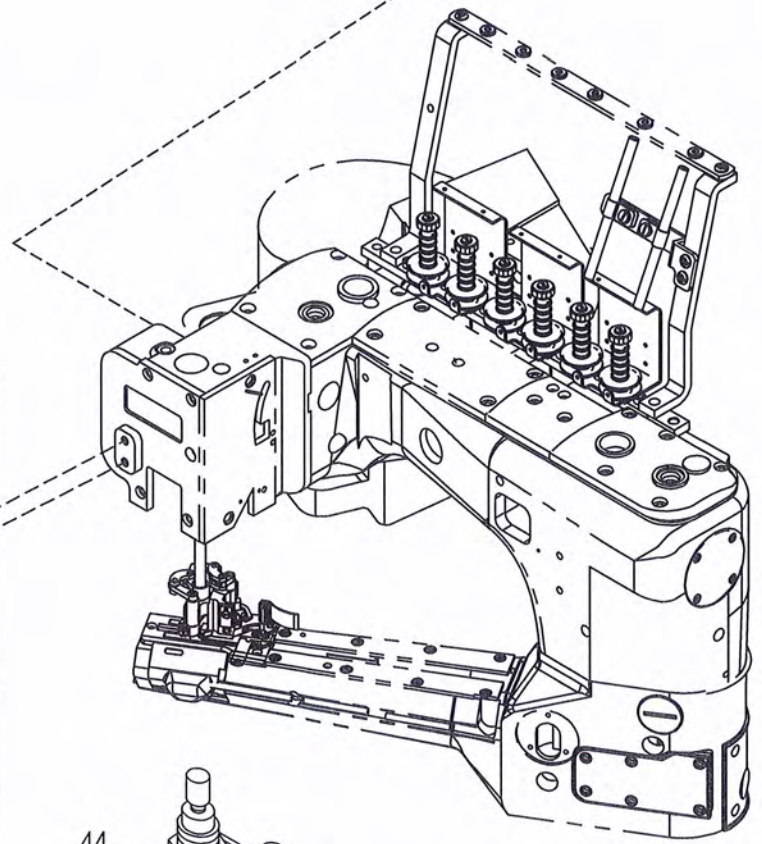
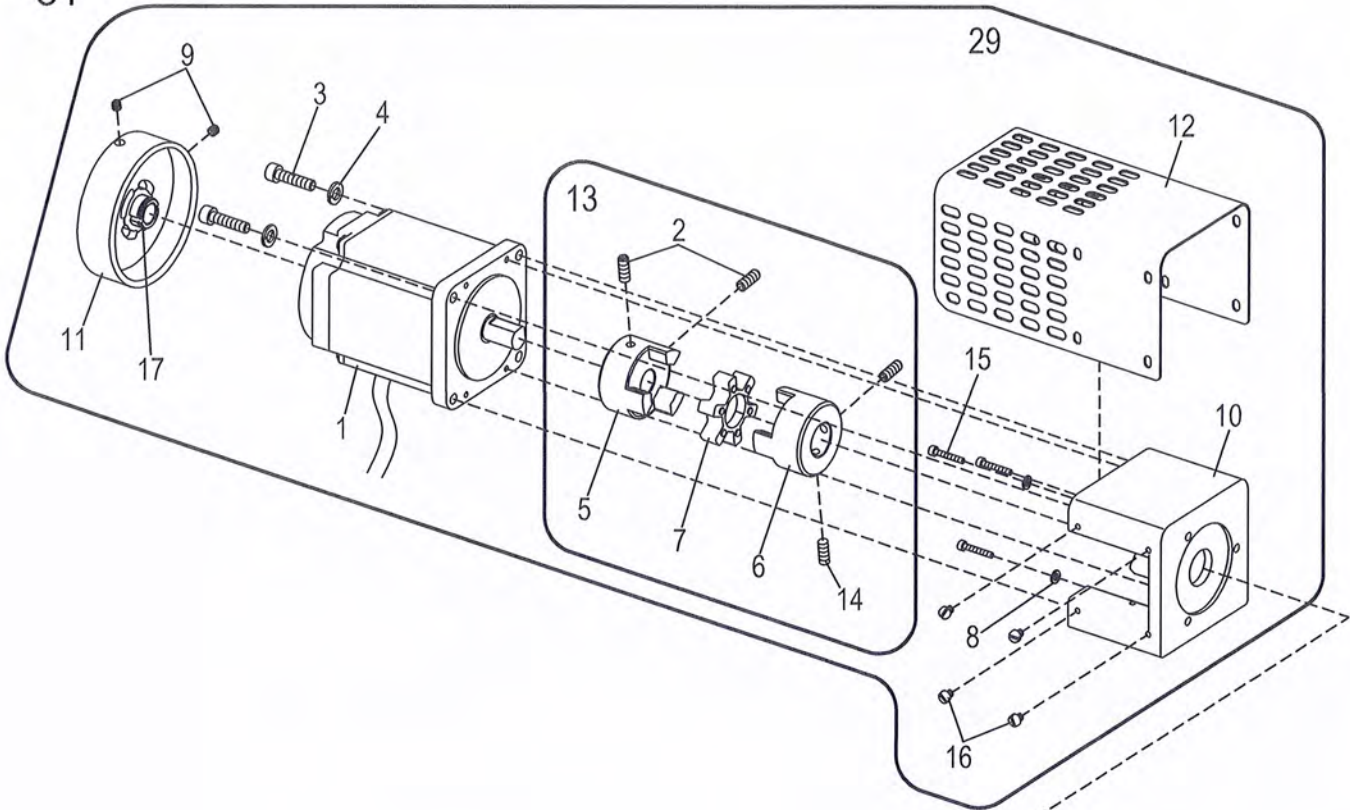
Lubricating Mechanism**給油機構****28**

Ref. No.	Parts No.	Description	產品名稱	Amt. Req.
41	J2841	Filter	濾油網	1
42	J2842	Filter Support	濾油網固定環	1
43	J2843	Pipe Guide	油管導圈	1
44	J2844	Oil Sight Gauge	外視油量計	1
45	J2845	O Ring	O 型環	1
46	J2846	Float Bar Indicator	油量指針	1
47	J2847-1	Gasket	吸油氈	1
48				
49	J2849	Indicator Support Wire	指針固定鋼線	1
50	J2850	Oil Pipe	銅管	1
51	J2851-1	Oil Pipe	C型銅管	1
52	J2852	Oil Pipe	L型銅管(下)	1
53	J2853	Oil Pipe	閃電型銅管(上)	1
54	J2854-1	Oil Stopper	長型止油塊(下)	4
55	J2855	Oil Pipe	下座吸油管	1
56	J2856	Oil Pipe	菱型銅管(下)	1
57	J2857	Oil Filter (Upper)	集垢筒(下)	1
58	J2858	Oil Pipe (Upper)	銅管(上)	1
59	J2859-3	Oil Pipe (Long & Upper)	銅管(長)(上)	1
60	SV239	Screw (M4-0.7 × 5)	螺絲	1
61	J2861	Oil Box	方型集油(上)	1
62	J2862	Seal	方型銅片(上)	2
63				
64	J2864	Float Base	浮標	1
65	J2865	Oil Indicator Assy	外視油鏡組	1
66				
67	J2867	Gasket	長型止油墊片	1
68				
69	J2869	Sead Plug	塑膠塞	1
70	J2872-1	Gasket	銅套	1
71	J2871	Oil Pipe	銅管	1

*Ref. No. 1 to 40 See the preceding page.

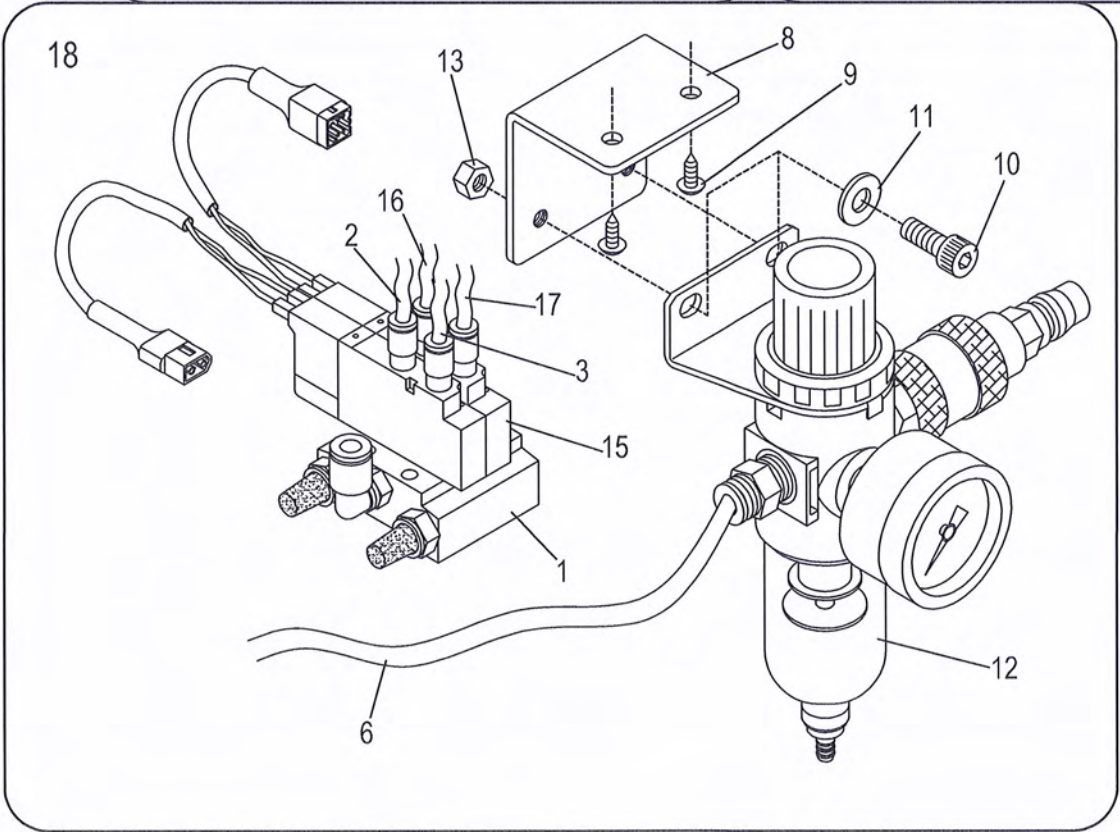
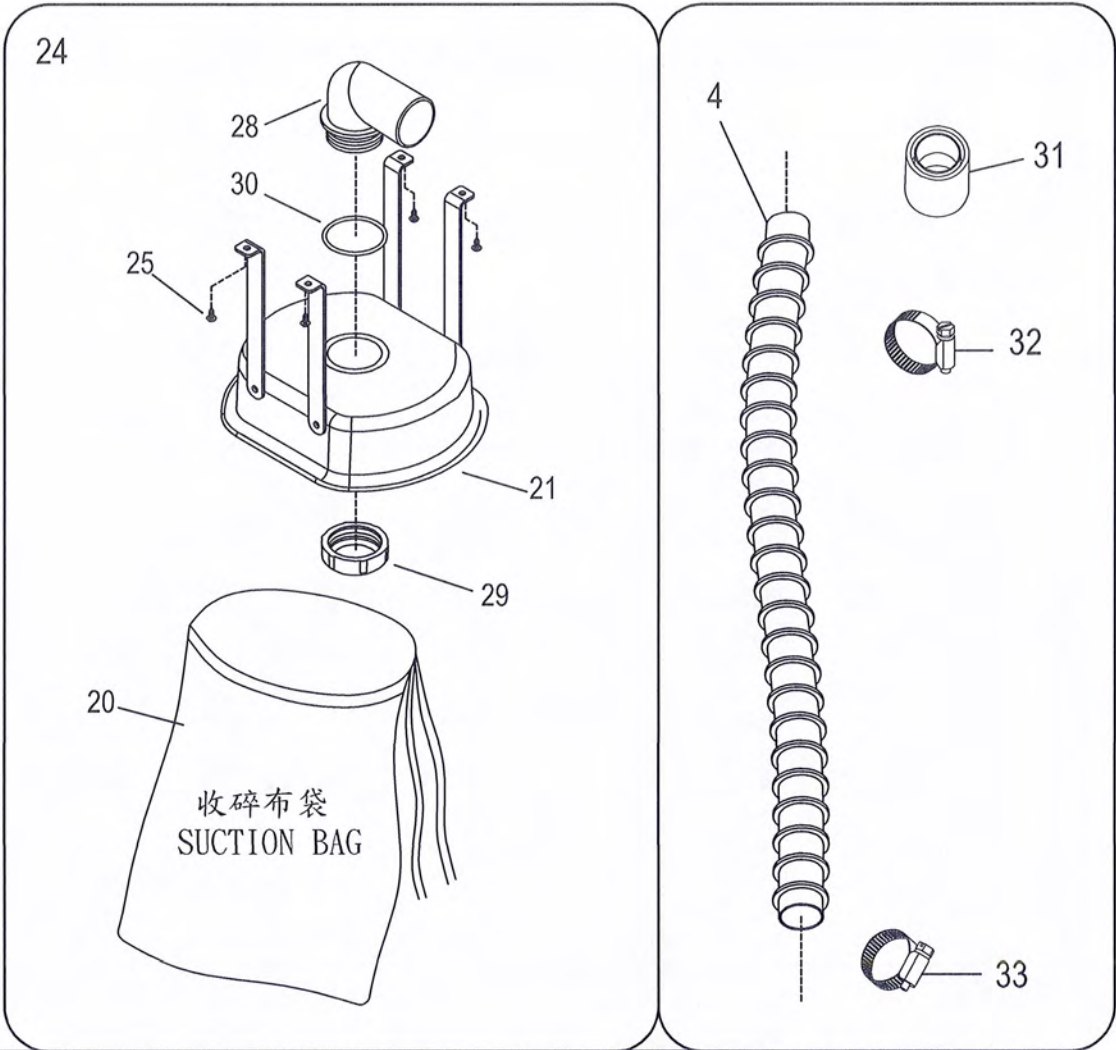
31

29



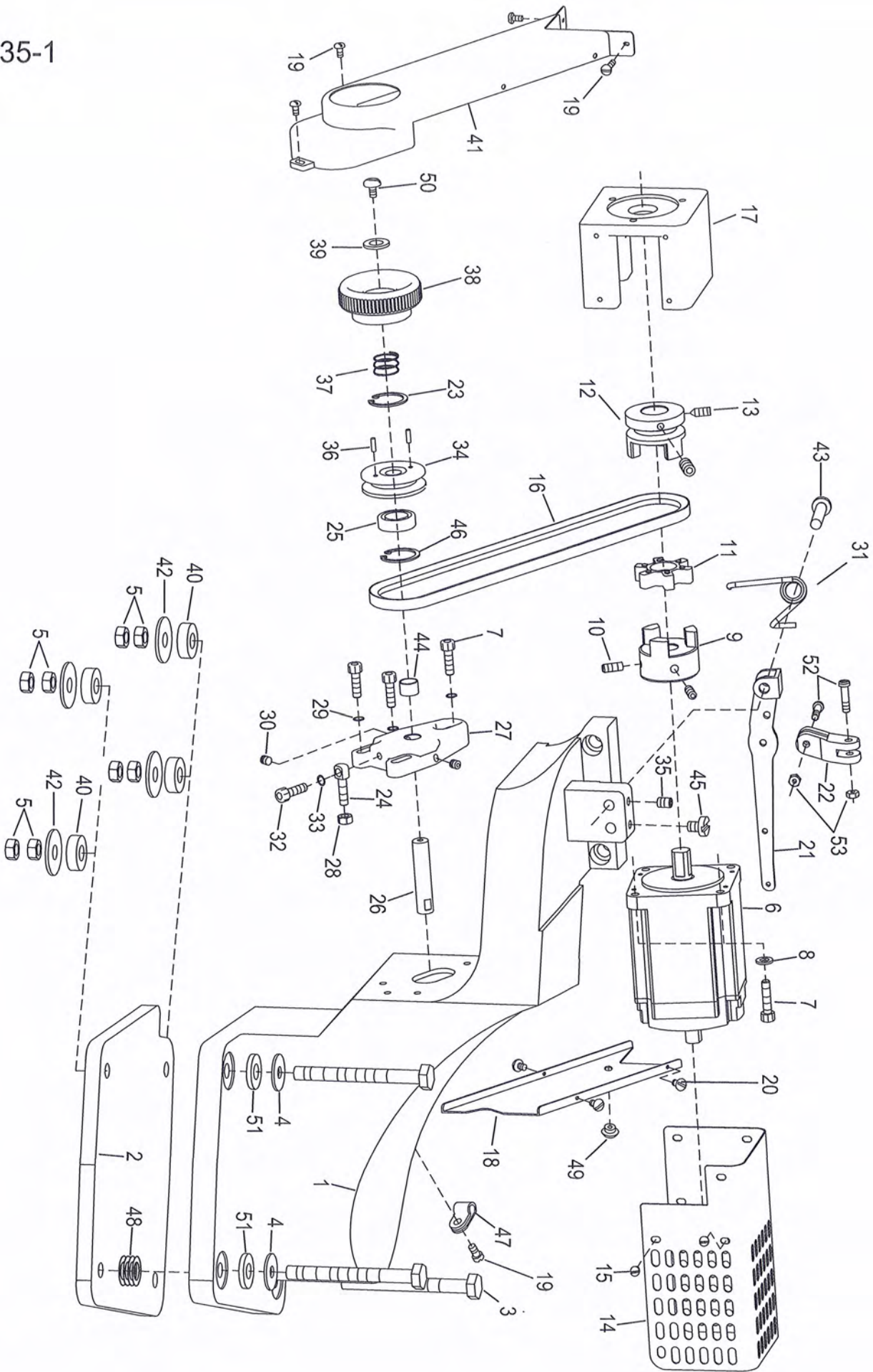
Direct-drive Servo Motor & Venturi Device (Optional)**直驅馬達&吸風機構(選購)****32**

Ref. No.	Parts No.	Description	產品名稱	Amt . Req .
1	J3201	Direct-drive Servo Motor	直驅馬達	1
2	SF242	Screw (M6-1.0×14)	螺絲	3
3	SF243	Screw (M6-1.0 × 25)	螺絲	4
4	15-39	Spring Washer	彈簧華司	4
5	J3205	Coupling	馬達轉軸器	1
6	J3206	Coupling	車台轉軸器	1
7	J3207	Rubber Cushion	橡膠防震	1
8	SW06	Spring Washer	彈簧華司	3
9	SV250	Screw (M5-0.8 × 5)	螺絲	2
10	J3210-1	Mounting Base	直驅馬達固定座	1
11	J3211	Synchronizer Wheel	定位輪	1
12	J3212	Safety Cover	小馬達防護蓋	1
13	J3213	Coupling Assy	連軸器整組	1
14	J3214	Screw (M6-1.0 × 15)	螺絲	1
15	J3215	Screw (SM 11/64-40 × 20)	螺絲	3
16	SV239	Screw (M4-0.7 × 5)	螺絲	8
29	J3229	Direct-drive Servo Motor Assy	直驅馬達傳動組	1
31	SV252	Screw (M5-0.8 × 10)	螺絲	6
33	VK48	Washer	華司	4
43	J3243-3	Suction Device Assy	吸風管整組	1
44	27-18	Suction Regulator	調節閥	1
45	J3245	Suction Bracket	吸風托架	1
47	J3247	Wave Washer	波浪華司	1
48	J3248	Link Bracket	連接座	1
49	J3249	Location Block	定位塊	1
50	SV253	Screw (M5-0.8 × 16)	螺絲	1
51	J3251	Nut (M5-0.8)	螺帽	1
52	J3252	S type Clamp	S型夾片	1
53	SF222	Screw (M4-0.7 × 6)	螺絲	4
54	J3254	Regulating Bracket	調整座	1
55	J3255	Pipe Bracket	壓克力固定座	1
56	J3256	Air Pipe	吸風管	1
57	J3257	Air Outlet (small)	吸風頭(小)	1
58	J3258	Air Outlet (large)	吸風頭(大)	1
59	J3259	Suction Pipe	風管 (100m/m長)	1



Pneumatic Auto Lifter & Ventri Device**抬壓腳與收碎布機構****34**

Ref. No.	Parts No.	Description	產品名稱	Amt. Req.
1	J3401	Air Solenoid Base	電磁整組	1
2	J3402	Pipe	PU管 Ø4xØ6x1200mm	1
3	J3403	Pipe	PU管 Ø4xØ6x320mm	1
4	J3404	Plastic Tube	塑膠管	1
5				
6	J3406	Pipe	PU管 Ø2.5xØ4x80mm	1
7				
8	23-08	Regulator Support	壓力表支架	1
9	15-24	Wood Screw	木螺絲	2
10	SV266	Screw (M6-1.0 × 10)	螺絲	2
11	WF06	Spring Washer	彈簧墊片	2
12	23-12	Pressure Meter	壓力表	1
13	NF31	Nut (M6-1.0)	螺帽	2
14				1
15	J3415	Air Solenoid Base	電磁閥座	1
16	J3416	Pipe	PU管 Ø4xØ6x900mm	1
17	J3417	Pipe	PU管 Ø4xØ6x800mm	1
18	J3418	Air Solenoid, Complete Set	電磁閥與氣壓整組	1
19				
20	27-15	Suction Bag	收碎布袋	1
21	27-01-1	Suction Bag Holder	碎布袋固定座	1
22	27-02	Z-Type Bracket	Z型固定支架	1
23	27-03	Wood Screw	木螺絲	4
24	27-04	Suction Bag Assy	C-100廢布和線頭收集組	1
25	27-05	Wood Screw	木螺絲	4
26				
27				
28	27-09	Plastic Tube	塑膠彎管	1
29	27-10	Plastic Nut	塑膠螺帽	1
30	27-30	O Ring	O型環	1
31	27-25	Plastic Connector	塑膠接頭(25灰色)	1
32	27-12	Pipe Fastener	緊縮環	1
33	27-26	Pipe Fastener	緊縮環(大)	1

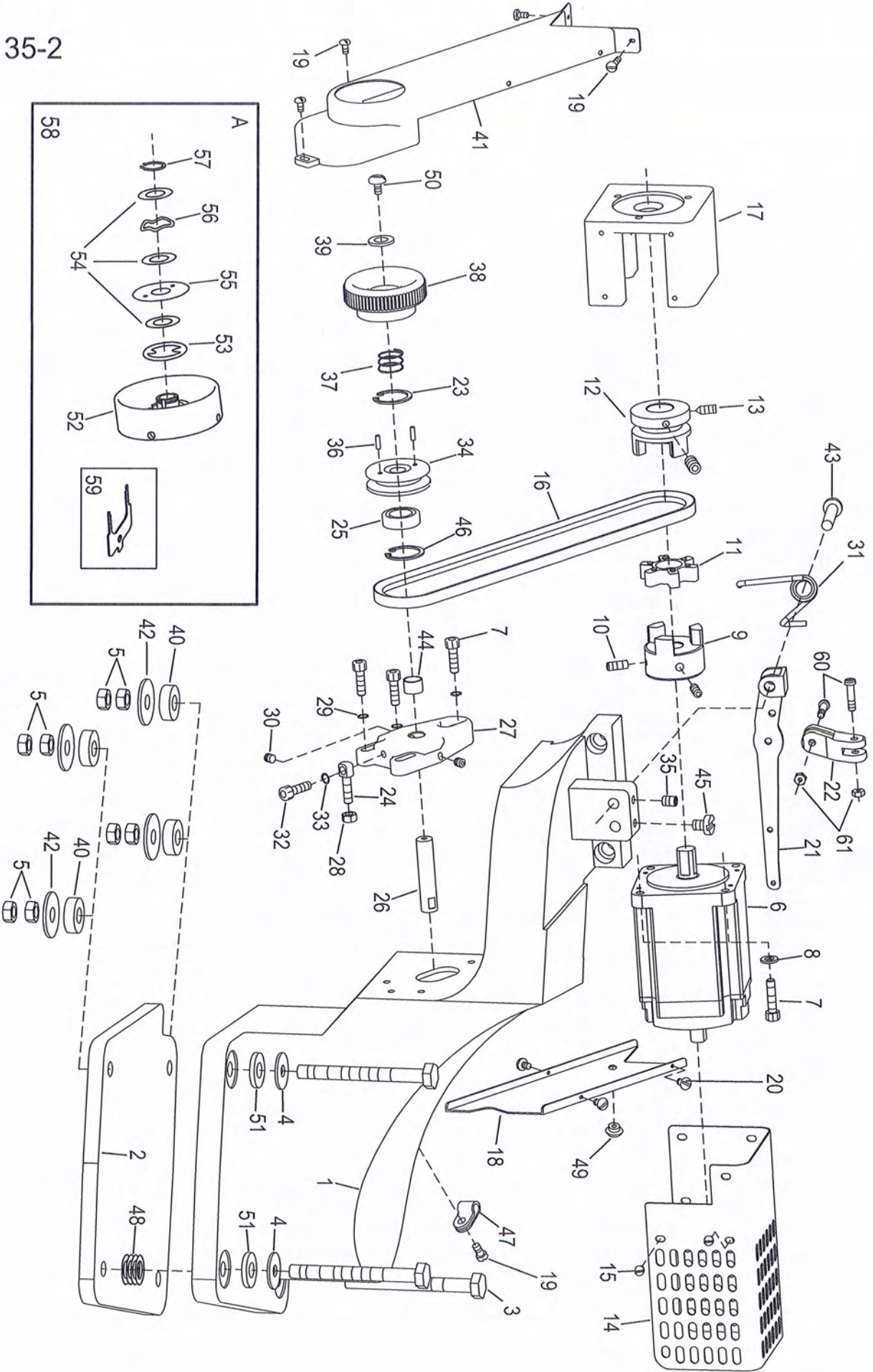


Mounting Assy & Clutch Motor(1)

固定座與傳動機構(1)

36-1

Ref. No.	Parts No.	Description	產品名稱	Amt. Req.
1	J3601-1	Rest Bracket	機體固定座	1
2	J3602-1	Gasket	羊毛氈	1
3	J3603-3	Screw (M10-1.5 × 100)	螺絲	4
4	J3010	Washer (M10)	華司	4
5	J3605	Nut (M10-1.5)	螺帽	8
6	J3201	AC Servo Motor HVP 70-SL	AC伺服馬達	1
7	SF243	Screw (M6-1.0 × 25)	螺絲	7
8	1539	Spring Washer (M6)	彈簧華司	4
9	J3205	Coupling	連軸器	1
10	SF242	Screw (M6-1.0 × 14)	螺絲	3
11	J3207	Rubber Cushion	隔震橡膠	1
12	J3206-1	Coupling Gear	轉軸器傳動輪	1
13	J3214	Screw (M6-1.0 × 15)	螺絲	1
14	J3614	Safety Cover	防護蓋	1
15	SV239	Screw (M4-0.7 × 5)	螺絲	6
16	J3616-1	Belt	皮帶 (K25)	1
17	J3210-1	Mounting Base	馬達固定座	1
18	J3618	Belt Cover	皮帶蓋	1
19	SV221	Screw (M4-0.7 × 8)	螺絲	5
20	SV214	Screw (M3-0.5 × 4)	螺絲	4
21	J3621-3	Lift Bar	押腳提升	1
22	J3826-1	Connecting Rod	連桿	1
23	J3623	Retainung Ring	扣環	1
24	J3624	Fixed Bolt (M6-1.0)	固定椿	1
25	VE22	Bearing	培林	1
26	J3626	Shaft	軸心	1
27	J3627	Bearing House	培林座	1
28	NV13	Nut (M6-1.0)	螺母	1
29	WF06	Washer (M6)	墊片	3
30	GL37	Screw (M5-0.8 × 10)	螺絲	2
31	J3023-1	Spring	扭簧	1
32	J3632	Screw (M5-0.8 × 25)	螺絲	1
33	SW06	Spring Washer (M5)	彈簧華司	1
34	J3634	Inner Belt Wheel	被動輪	1
35	SV264	Screw (M6-1.0 × 8)	螺絲	1
36	J0225-1	Location Pin	定位銷	2
37	J3637	Spring	彈簧	1
38	J3638	Pulley	手動輪	1
39	J3639	Washer	墊片	1
40	J3009	Rubber Cusion	橡膠	4
41	J3641-C	Belt Guard	傳動防護罩	1
42	J3642	Washer	墊片	4
43	J3021	Pin	插銷	1
44	J3644	Washer	隔環	1
45	SV262	Screw (M6-1.0 × 10)	螺絲	1
46	VE21	Retainung Ring	扣環	1
47	UC-5	Cord Clamp	配線固扭 UC-5	1
48	J3648	Spring	彈簧	4
49	K0114	Seal Plug	膠塞	1
50	J3650	Screw (M4-0.7 × 12)	螺絲	1
51	J3651	Rubber Cusion	橡膠	2
52	22-16	Screw (M5-0.8 × 21)	螺軸	2
53	NV12	Nut (M5-0.8)	螺帽	2



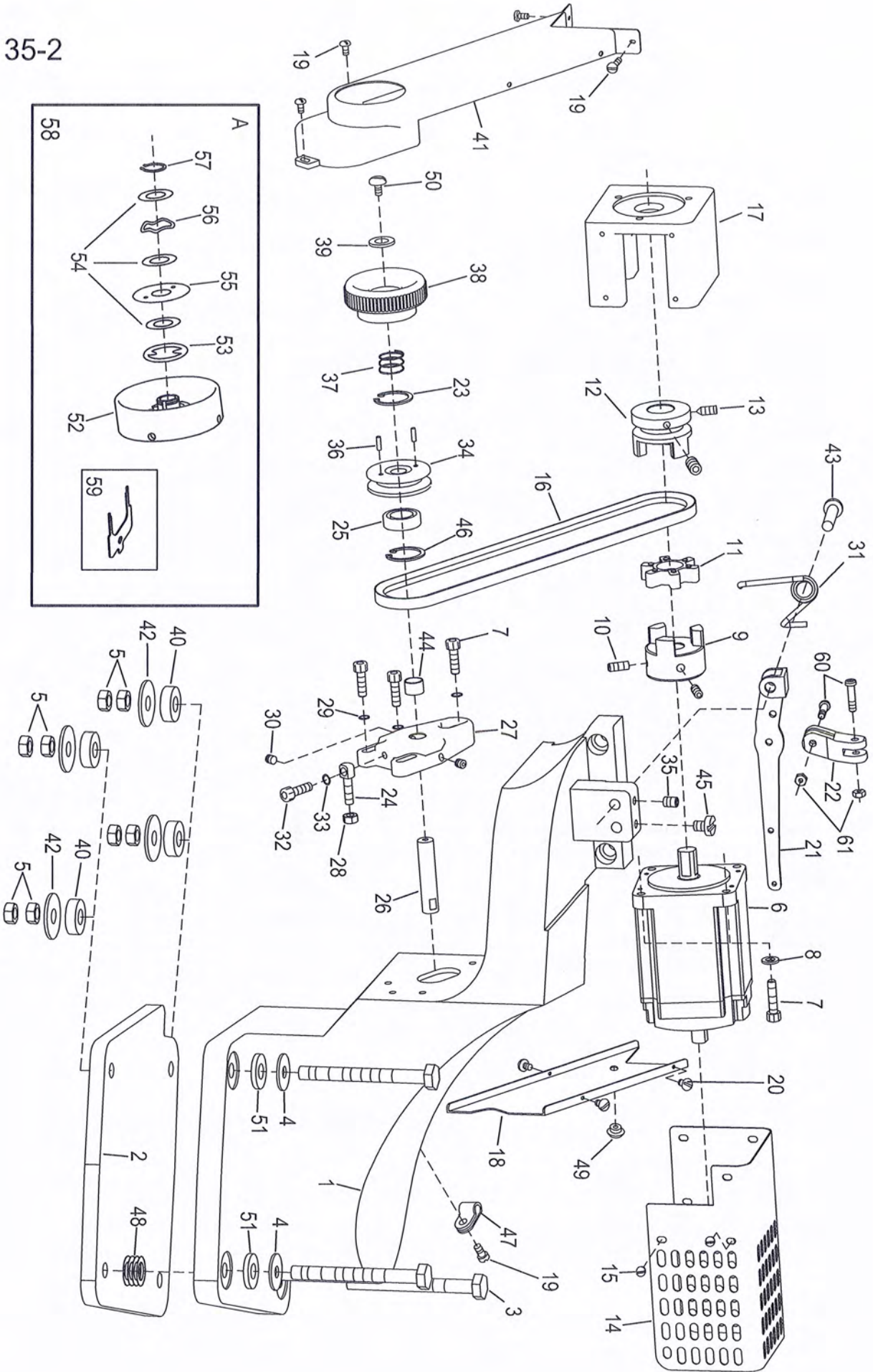
Mounting Assy & Clutch Motor(2)

固定座與傳動機構(2)

36-2

Ref. No.	Parts No.	Description	產品名稱	Amt. Req.
1	J3601-1	Rest Bracket	機體固定座	1
2	J3602-1	Gasket	羊毛氈	1
3	J3603	Screw (M10-1.5 × 100)	螺絲	4
4	J3010	Washer (M10)	華司	4
5	J3605	Nut (M10-1.5)	螺帽	8
6	J3201	AC Servo Motor	AC伺服馬達	1
7	SF243	Screw (M6-1.0 × 25)	螺絲	7
8	1539	Spring Washer (M6)	彈簧華司	4
9	J3205	Coupling	連軸器	1
10	SF242	Screw (M6-1.0 × 14)	螺絲	3
11	J3207	Rubber Cushion	隔震橡膠	1
12	J3206-1	Coupling Gear	轉軸器傳動輪	1
13	J3214	Screw (M6-1.0 × 15)	螺絲	1
14	J3614-1	Safety Cover	防護蓋	1
15	SV239	Screw (M4-0.7 × 5)	螺絲	6
16	J3616-1	Belt	皮帶 (K25)	1
17	J3210-1	Mounting Base	馬達固定座	1
18	J3618	Belt Cover	皮帶蓋	1
19	SV221	Screw (M4-0.7 × 8)	螺絲	6
20	SV214	Screw (M3-0.5 × 4)	螺絲	4
21	J3621-1	Lift Bar	押腳提升	1
22	J3826	Connecting Rod	連桿	1
23	J3623	Retainung Ring	扣環	1
24	J3624	Fixed Bolt (M6-1.0)	固定椿	1
25	VE22	Bearing	培林	1
26	J3626	Shaft	軸心	1
27	J3627	Bearing House	培林座	1
28	J3628	Nut (M6-1.0)	螺母	1
29	WF06	Washer (M6)	墊片	3
30	GL37	Screw (M5-0.8 × 12)	螺絲	2
31	J3023-1	Spring	扭簧	1
32	J3632	Screw (M5-0.8 × 25)	螺絲	1
33	SW06	Spring Washer (M5)	彈簧華司	1
34	J3634	Inner Belt Wheel	被動輪	1
35	SV264	Screw (M6-1.0 × 8)	螺絲	1
36	J0225-1	Location Pin	定位銷	2
37	J3637		彈簧	1
38	J3638	Pulley	手動輪	1
39	J3639	Washer	墊片	1
40	J3009	Rubber Cusion	橡膠	4

* Ref. No. 41 to 61 See the following page



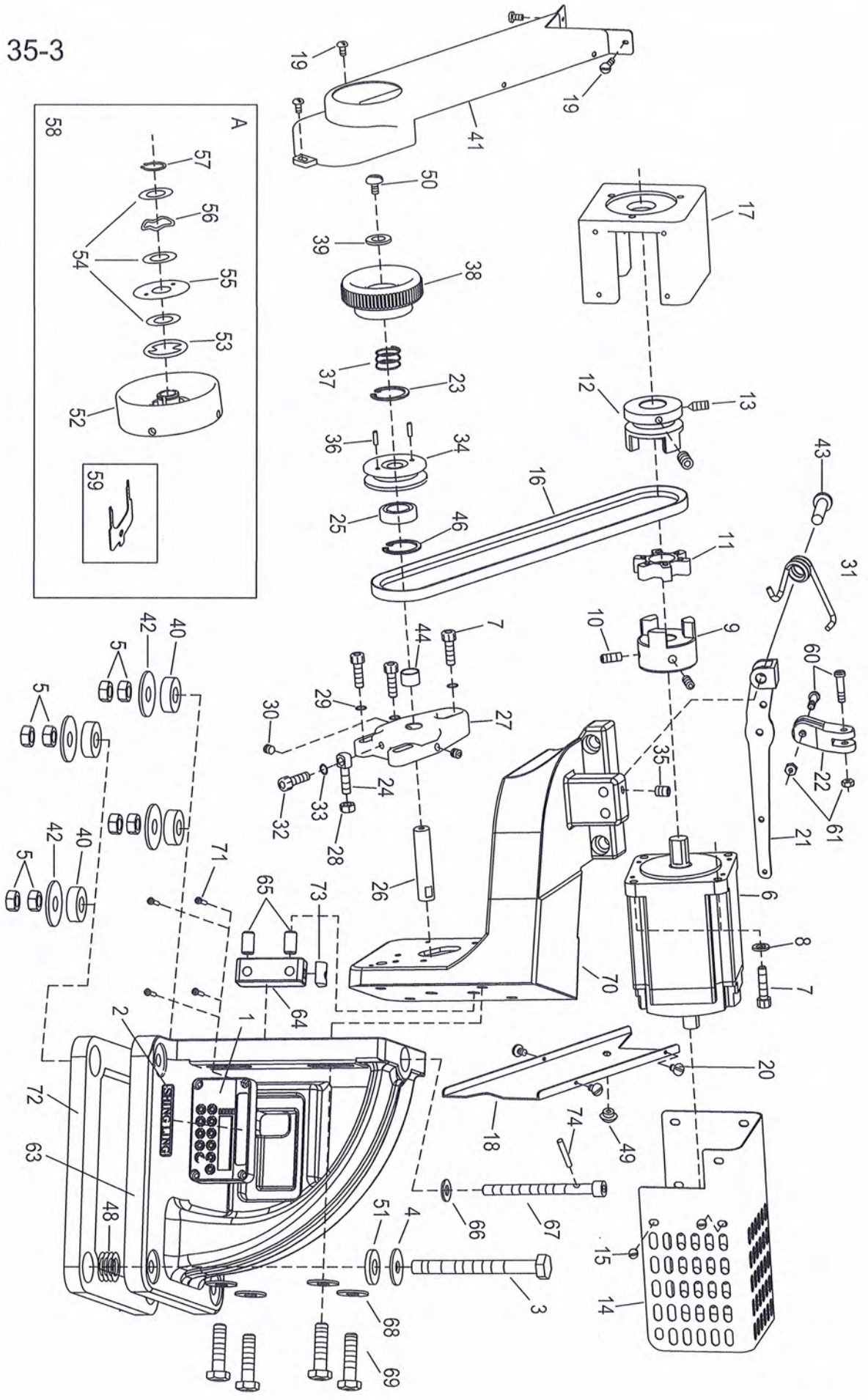
Mounting Assy & Clutch Motor(2)

固定座與傳動機構(2)

36-2

Ref. No.	Parts No.	Description	產品名稱	Amt. Req.
41	J3641	Belt Guard	傳動防護罩	1
42	J3642	Washer	墊片	4
43	J3021	Pin	插銷	1
44	J3644	Washer	隔環	1
45	SV262	Screw (M6-1.0 × 10)	螺絲	1
46	VE21	Retainung Ring	扣環	1
47	36-47	Cord Clamp	配線固扭 UC-4	2
48	J3648	Spring	彈簧	4
49	K0114	Seal Plug	膠塞	1
50	J3650	Screw (M4-0.7 × 12)	螺絲	1
51	J3651	Rubber Cushion	橡膠	1
52	J3211	Synchronizer Wheel	定位輪	1
53	J3653	Synchronizer Disk	定位片	1
54	J3654	Washer	墊片	3
55	J3655	Sensor Disk	感光片	1
56	J3656	Washer	波浪華司	1
57	J3657	Retainung Ring	扣環	1
58	J3217	Synchronizer Set	定位器組	1
59	J3659	Wrench	調位板手	1
60	22-16	Screw (M5-0.8 × 21)	螺軸	2
61	NV12	Nut (M5-0.8)	螺帽 (M5)	2

*Ref. No. 1 to 40 See the preceding page.



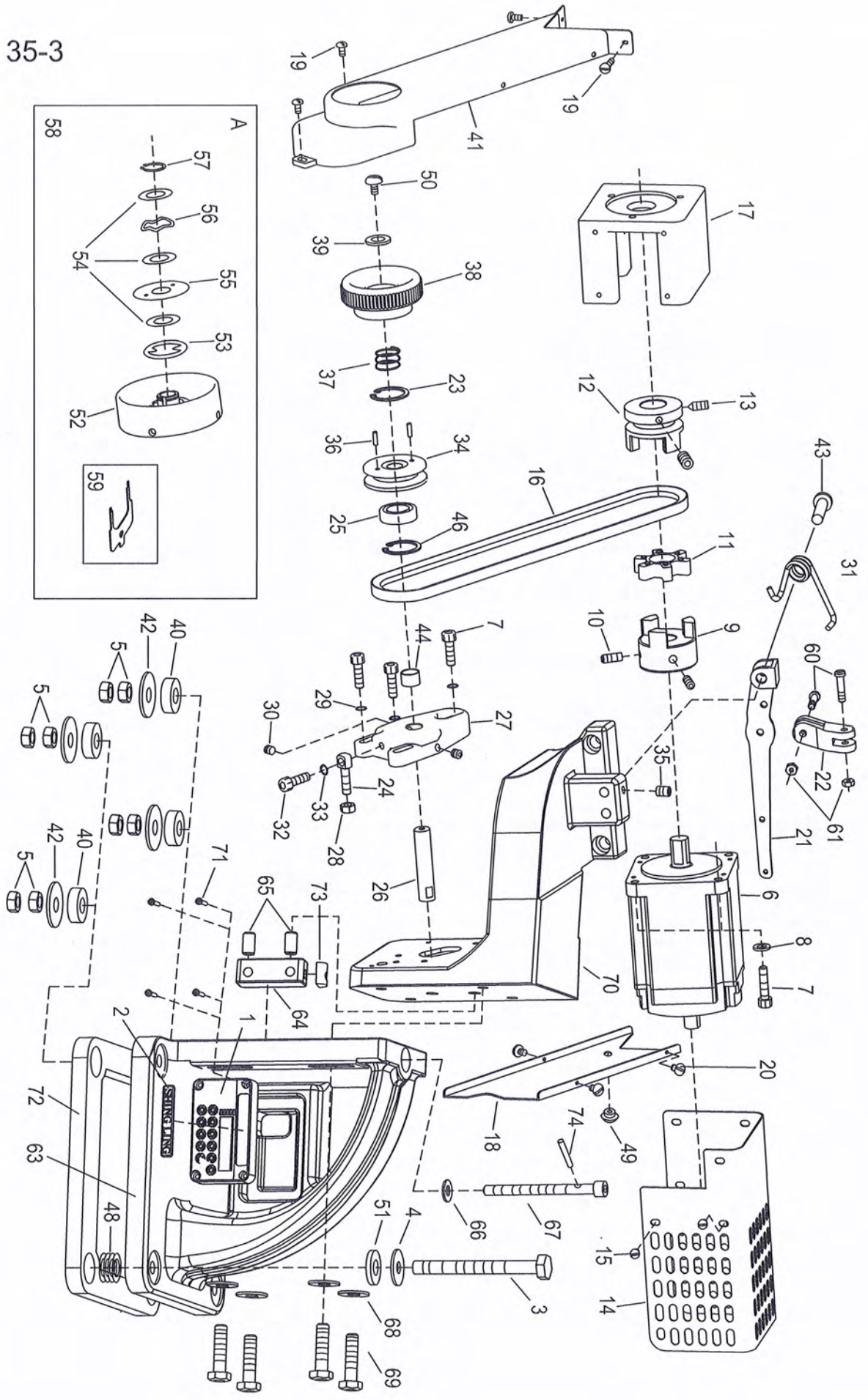
Mounting Assy & Clutch Motor(3)

固定座與傳動機構(3)

36-3

Ref. No.	Parts No.	Description	產品名稱	Amt. Req.
1	J121		機板座	1
2	J122	Brand Name Plate	名牌	1
3	J3603-3	Screw (M10-1.5 × 100)	螺絲	4
4	J3010	Washer (M10)	華司	4
5	J3605	Nut (M10-1.5)	螺帽	8
6	J3201	AC Servo Motor	AC伺服馬達	1
7	SF243	Screw (M6-1.0 × 25)	螺絲	7
8	1539	Spring Washer (M6)	彈簧華司	4
9	J3205	Coupling	連軸器	1
10	SF242	Screw (M6-1.0 × 14)	螺絲	3
11	J3207	Rubber Cushion	隔震橡膠	1
12	J3206-1	Coupling Gear	轉軸器傳動輪	1
13	J3214	Screw (M6-1.0 × 15)	螺絲	1
14	J3614-1	Safety Cover	防護蓋	1
15	SV239	Screw (M4-0.7 × 5)	螺絲	6
16	J3616-1	Belt	皮帶 (K25)	1
17	J3210-1	Mounting Base	馬達固定座	1
18	J3618	Belt Cover	皮帶蓋	1
19	SV221	Screw (M4-0.7 × 8)	螺絲	4
20	SV214	Screw (M3-0.5 × 4)	螺絲	4
21	J3621-3	Lift Bar	押腳提升	1
22	J3826-1	Connecting Rod	連桿	1
23	J3623	Retainung Ring	扣環	1
24	J3624	Fixed Bolt (M6-1.0)	固定樁	1
25	VE22	Bearing	培林	1
26	J3626	Shaft	軸心	1
27	J3627	Bearing House	培林座	1
28	J3628	Nut (M6-1.0)	螺母	1
29	WF06	Washer (M6)	墊片	3
30	GL37	Screw (M5-0.8 × 12)	螺絲	2
31	J3023-1	Spring	扭簧	1
32	J3632	Screw (M5-0.8 × 25)	螺絲	1
33	SW06	Spring Washer (M5)	彈簧華司	1
34	J3634	Inner Belt Wheel	被動輪	1
35	SV264	Screw (M6-1.0 × 8)	螺絲	1
36	J0225-1	Location Pin	定位銷	2
37	J3637	Spring	彈簧	1
38	J3638	Pulley	手動輪	1
39	J3639	Washer	墊片	1
40	J3009	Rubber Cusion	橡膠	4

* Ref. No. 41 to 72 See the following page



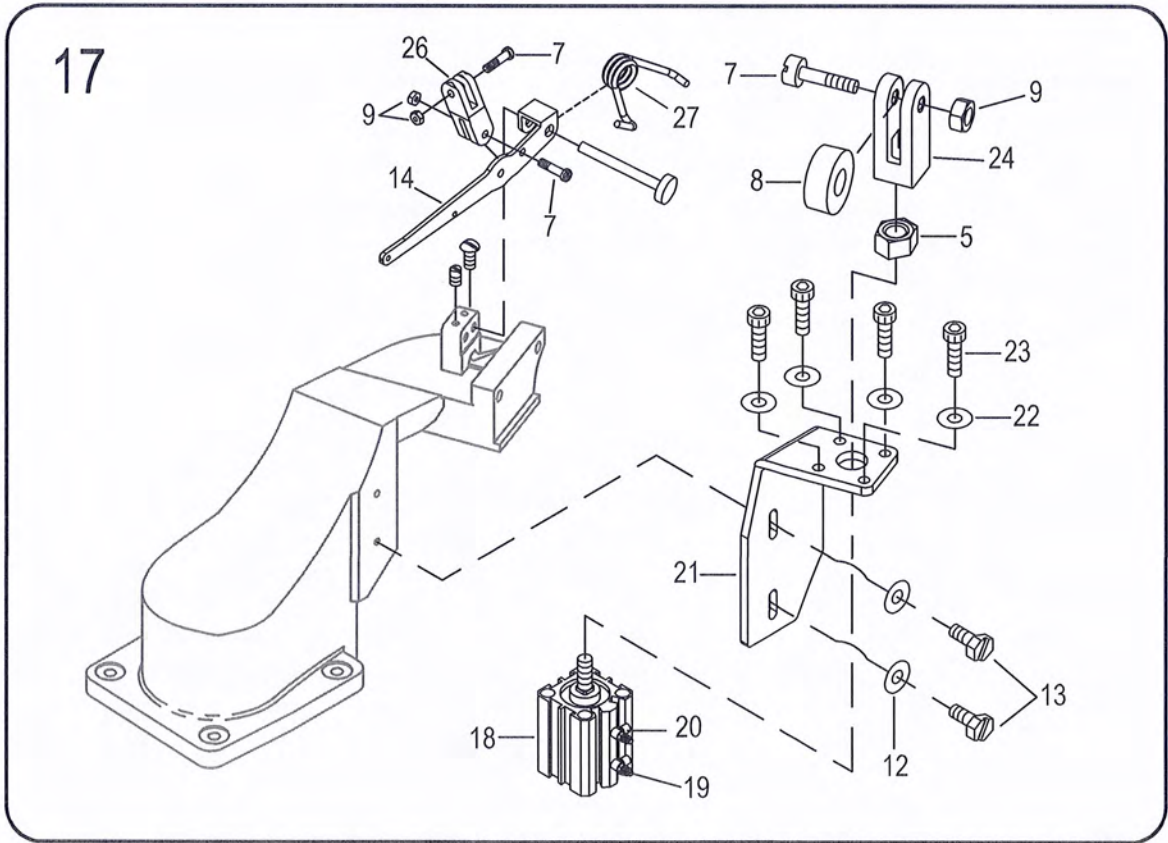
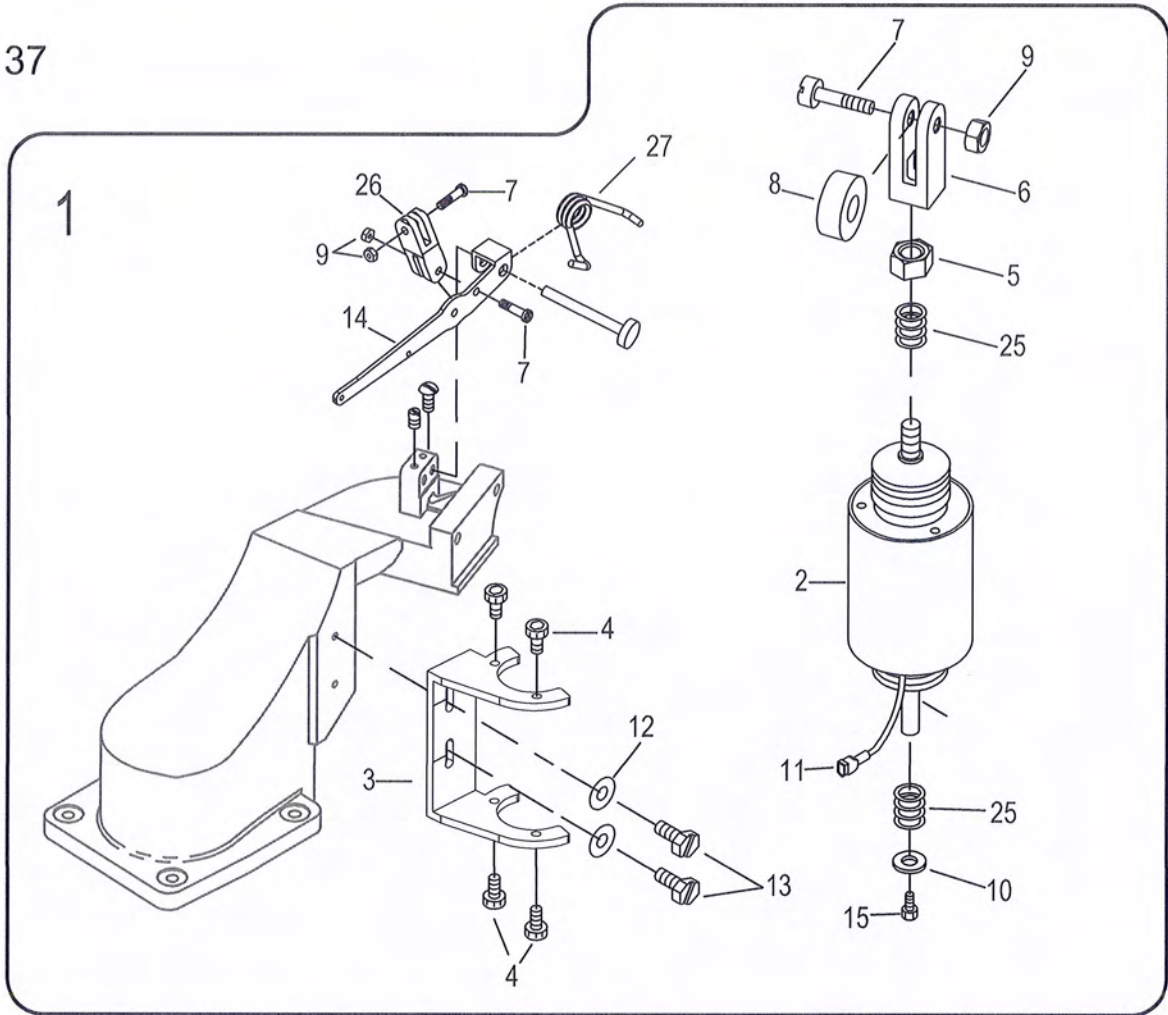
Mounting Assy & Clutch Motor(3)

固定座與傳動機構(3)

36-3

Ref. No.	Parts No.	Description	產品名稱	Amt. Req.
41	J3641	Belt Guard	傳動防護罩	1
42	J3642	Washer	墊片	4
43	J3021	Pin	插銷	1
44	J3644	Washer	隔環	1
45				
46	VE21	Retainung Ring	扣環	1
47				
48	TJ3675-2	Spring	彈簧	4
49	K0114	Seal Plug	膠塞	1
50	J3650	Screw (M4-0.7 × 12)	螺絲	1
51	J3651	Rubber Cushion	橡膠	1
52	J3211	Synchronizer Wheel	定位輪	1
53	J3653	Synchronizer Disk	定位片	1
54	J3654	Washer	墊片	3
55	J3655	Sensor Disk	感光片	1
56	J3656	Washer	波浪華司	1
57	J3657	Retainung Ring	扣環	1
58	J3217	Synchronizer Set	定位器組	1
59	J3659	Wrench	調位板手	1
60	22-16	Screw (M5-0.8 × 21)	螺軸	2
61	NV12	Nut (M5-0.8)	螺帽	2
62				
63	J3663-1	Rest Bracket(R)	固定座(右)	1
64	J3664	Regulating Bracket	調整座	1
65	J3665	Slide	滑塊	2
66	J3666	Washer	墊片	1
67	J3667	Screw (M8-1.25 x 100)	螺絲	1
68	J3668	Washer	墊片	4
69	J3669	Screw (M10-1.5 x 40)	螺絲	4
70	J3670	Rest Bracket(L)	固定座(左)	1
71	J3671	Screw (M3-0.5 x 16)	螺絲	4
72	TJ3672	Gasket	固定座橡膠墊	1
73	J3673	Slide	滑塊	1
74	J0803	Location Pin	定位銷	1

*Ref. No. 1 to 40 See the preceding page.

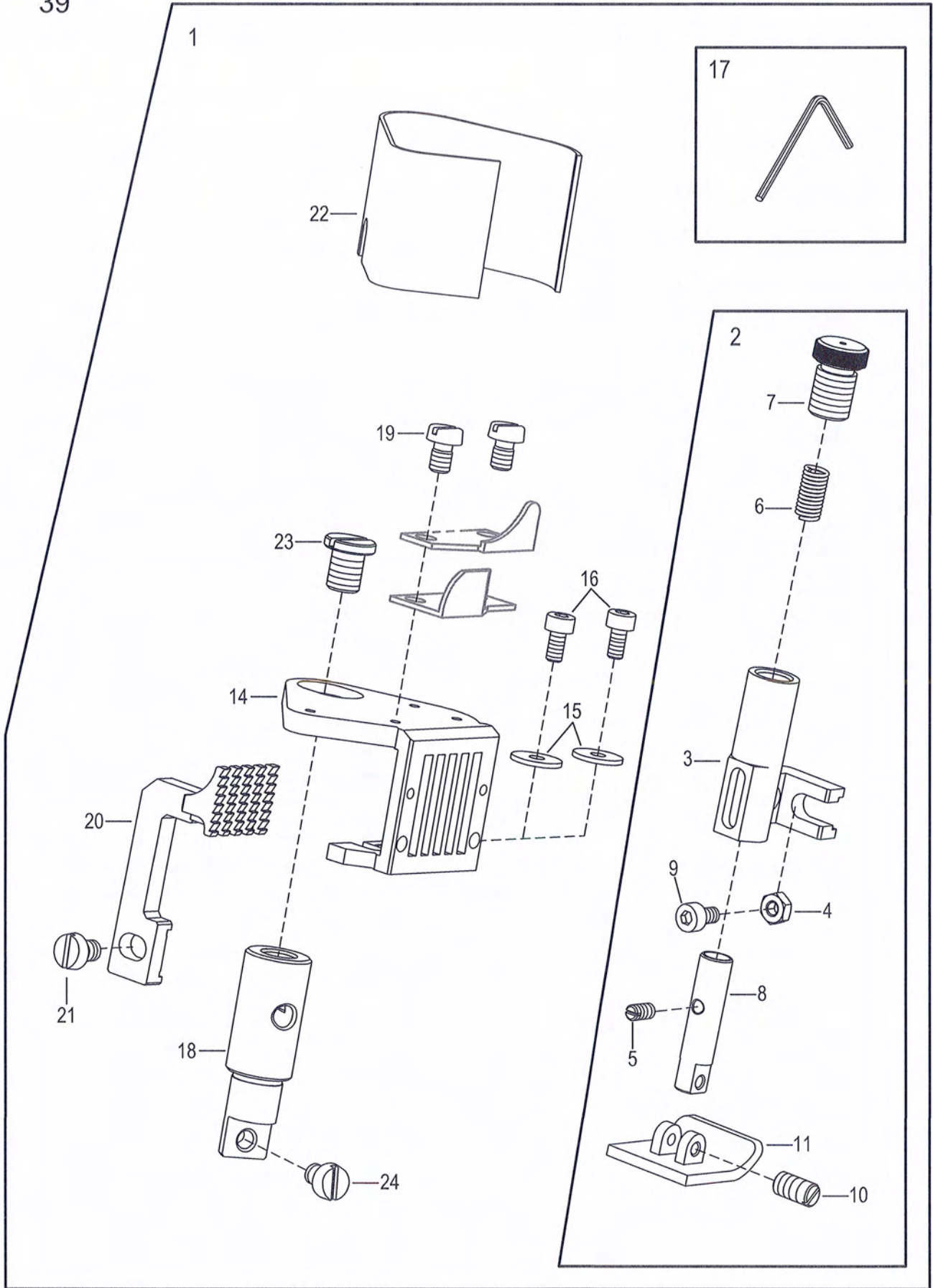


Presser Foot Driving Mechanism

抬押腳驅動機構

38

Ref. No.	Parts No.	Description	產品名稱	Amt. Req.
1	J3801	Electric Auto Lift Solenoid Assy	電磁式抬押腳組	1
2	J3802	Auto Lifter Solenoid	抬押腳電磁閥	1
3	J3803-2	Solenoid Support Assy	電磁閥座	1
4	SV252	Screw (M5-0.8 × 10)	螺絲	4
5	NV14	Nut (M8-1.25)	螺帽	1
6	J3806	Wheel Base	滾輪座(短)	1
7	22-16	Screw (M5-0.8 × 21)	螺軸	2
8	J3808	Lifting Wheel Guide	滾輪	1
9	NV12	Nut (M5-0.8)	螺帽	3
10	WF06	Washer	墊片	1
11	22-12	Connector	電子閥連接頭	1
12	WF07	Washer	墊片 Ø 6.5 × Ø 16	2
13	J3813	Screw (M6-1.0 × 16)	螺絲	2
14	J3621-3	Lift Bar	押腳提升	1
15	SF224	Screw (M4-0.7 × 8)	螺絲	1
16				
17	J3817	Air Auto Lifter Assy	氣壓式抬押腳組	1
18	J3818	Square Cylinder	方型氣缸	1
19	J3819	Air Inlet	氣缸入壓口	1
20	J3820	Air Outlet	出風口	1
21	J3821-1	Cylinder Bracket	氣缸托架	1
22	WF06	Washer	墊片 Ø 6.5 × Ø 12.5	4
23	GA29	Screw (M6-1.0 × 20)	螺絲	4
24	22-14	Wheel Base	滾輪座(長)	1
25	J3825	Spring	彈簧	2
26	J3826-1	Connecting Rod	連桿	1
27	J3023-1	Spring	扭簧	1



RF Device

送料延昇機構

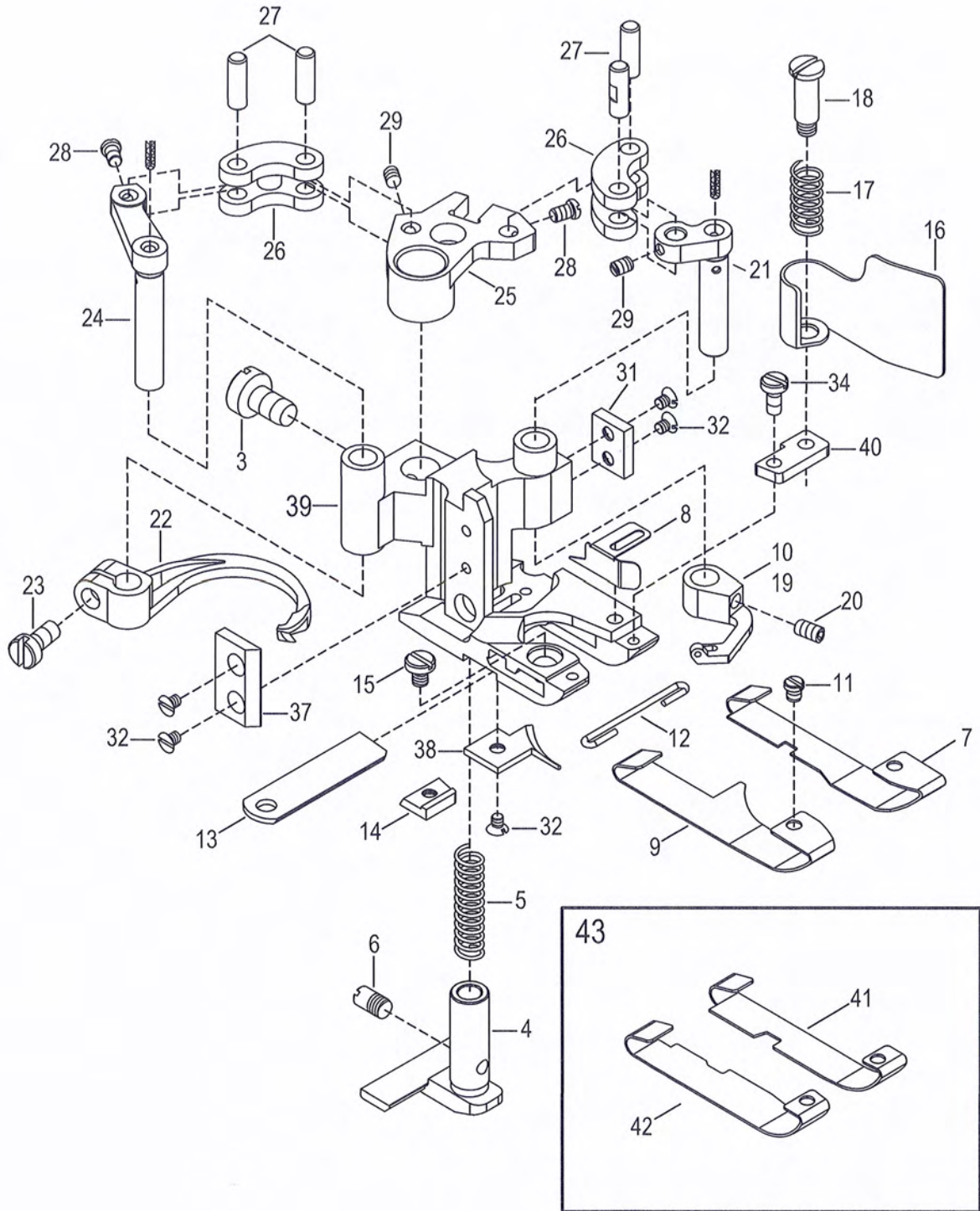
40

Ref. No.	Parts No.	Description	產品名稱	Amt. Req.
1	J4001	Rear Presser Foot Comp. Set	送料延昇整組(後拉輔助押腳組)	
2	J4002	Presser Foot Ass'y	延伸押腳組	
3	J4003	Presser Foot Bar Holden	押腳連接座	1
4	NF12	Nut (SM 11/64-40)	螺帽	1
5	J2208	Screw (SM 1/8-44 × 2.5)	螺絲	1
6	J4006	Spring	彈簧	1
7	J4007	Reguluting Screw (M8-1.25 × 9)	調節螺絲	1
8	J4008	Presser Foot Bar	押腳連接柱	1
9	J4009	Screw (SM 11/64-40 × 12.3)	螺絲	1
10	J4010	Screw (M2.3-0.4 × 2.2)	螺絲	1
11	J4011	Presser Foot	押腳底	1
12				
13				
14	J4014	Rear Extension Plate	延伸針板座	1
15	WF03	Washer	墊片	2
16	J4016	Screw (SM 9/64-40 × 10)	螺絲	2
17	FM20-2	Tool (2.5m/m)	2.5 mm L型板手	1
18	J4018	Bracket	托架	1
19	J1413	Screw (SM 9/64-40 × 8)	螺絲	2
20	J4020	Rear Extension Feed Dog	延伸九齒	1
21	J4021	Screw (SM 3/16-32 × 14)	螺絲	1
22	J4022	Side Cover	護罩	1
23	J4023	Screw (SM 1/4-40 × 8)	螺絲	1
24	J0441	Screw (SM 9/64-40 × 5)	螺絲	1

41-1

① SL-703G2×452

② SL-703G2×460



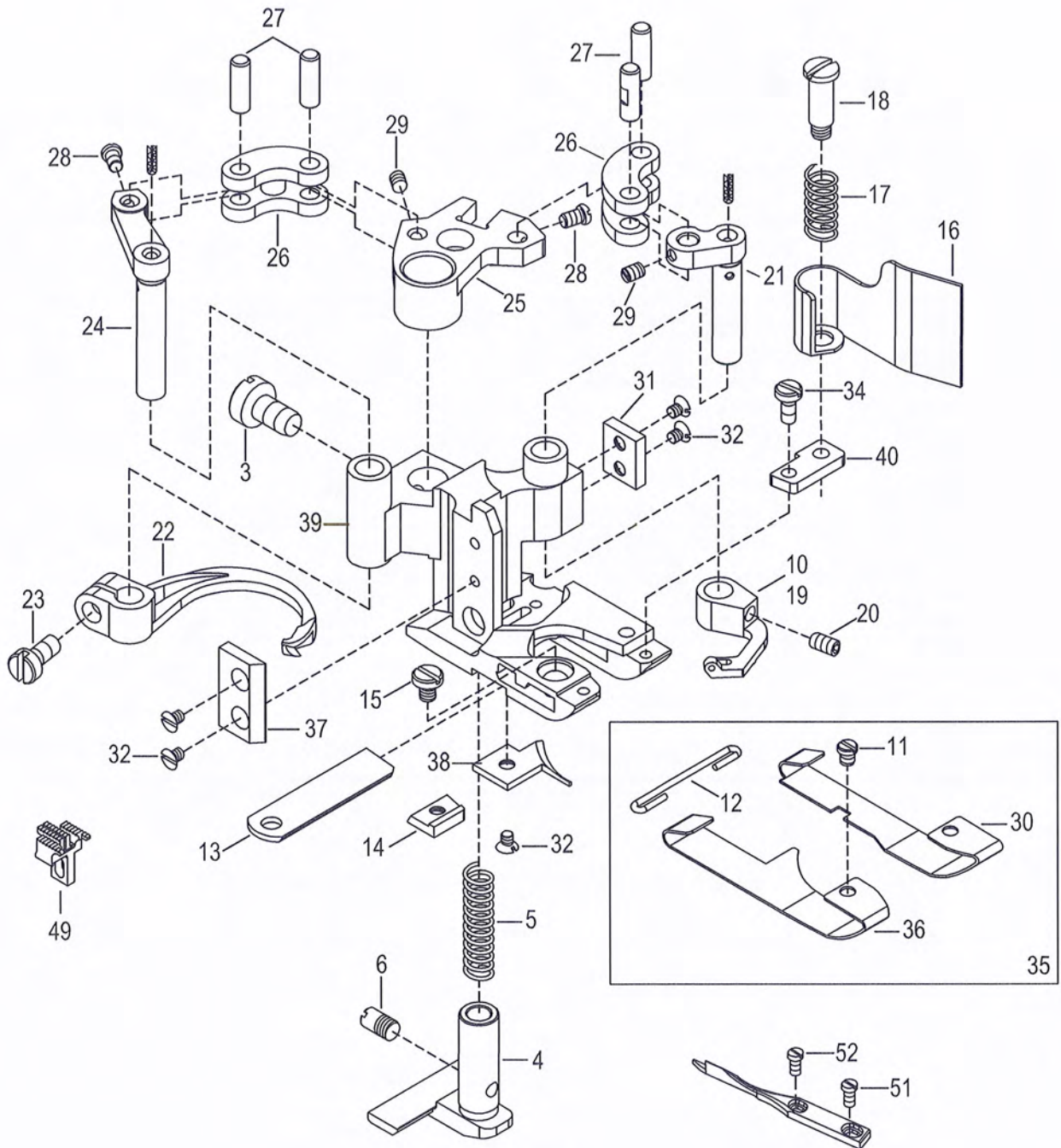
Double Edge Trimming 雙切 Presser Foot 押腳

Ref. No.	Parts No.	Description	產品名稱	Amt. Req.
1	J4201	Presser Foot Assy. #452	押腳 (組)雙切	
2	J4202	Presser Foot Assy. #460	押腳 (組)雙切	
3	SF121	Screw (SM 11/64-40 × 7)	螺絲	1
4	J4204-R	Fabric Guide	壓布器	1
5	J2207	Spring	彈簧	1
6	J2208	Screw (SM 1/8-44 × 2.5)	螺絲	1
7	J4207	Presser Foot Shoe (R)	押腳滑板 (右) 軟布專用	1
8	J4208	Fabric Edge Guide	擋邊	1
9	J4209	Presser Foot Shoe (L)	押腳滑板 (左) 軟布專用	1
10	J2220-3	Carrier (Short)	上飾線帶線器 (短#460)	
11	J2211	Screw (SM 3/32-56 × 2.5)	螺絲	1
12	J2212	Spring	C型鋼線	1
13	J2213-4	Lower Knife	下修刀	1
14	J2214-1	Lower Knife Clamp	下修刀固定片	1
15	J2215	Screw (SM 1/8-44 × 3.5)	螺絲	1
16	J4216-1	Chip Guard	修刀護罩	1
17	J2217	Spring	彈簧	1
18	J4218	Screw (SM 1/8-44 × 2.3)	螺絲	1
19	J2219-2	Carrier (Short)	上飾線帶線器 (短#452)	
20	J1657	Screw (SM 1/8-44 × 4)	螺絲	1
21	J2222	Crankshaft (Short)	L型曲軸 (短)	1
22	J2223	Hook (Long)	上飾線勾針 (短)	1
23	J2224	Screw (SM 1/8-44 × 7)	螺絲	1
24	J2225	Crankshaft (Long)	L型曲軸 (長)	1
25	J2226	Segment	押腳曲柄	1
26	J2227-1	Link	連接器	2
27	J2228-1	Pin	插銷	4
28	J2229	Screw (SM 3/32-56 × 3.5)	螺絲	2
29	J1033	Screw (SM 3/32-56 × 3)	螺絲	2
30				
31	J4231	Bracket (R)	押腳導片 (右) 厚	1
	J4231-1	Bracket (R)	押腳導片 (右) 薄	
32	J2254	Screw (SM 3/32-56 × 3.5)	螺絲	5
33				
34	J2277	Screw (SM 3/32-56 × 5)	螺絲	1
35				
37	J4237	Presser Guide (Left)	押腳導片 (左) 厚	1
	J4237-1	Presser Guide (Left)	押腳導片 (左) 薄	
38	J4238-2	Presser Foot Finger	導布器	1
39	J4239-2	Main Presser Foot	押腳主體	1
40	J4240-1	Extension Plate	延伸板	1
41	J4241	Presser Foot Shoe (R)	押腳滑板 (右)	1
42	J4242	Presser Foot Shoe (L)	押腳滑板 (左)	1
43	J4243	Presser Foot Shoe Assy	押腳滑板組	1

41-1-1

① SL-703G2N×452

② SL-703G2N×460



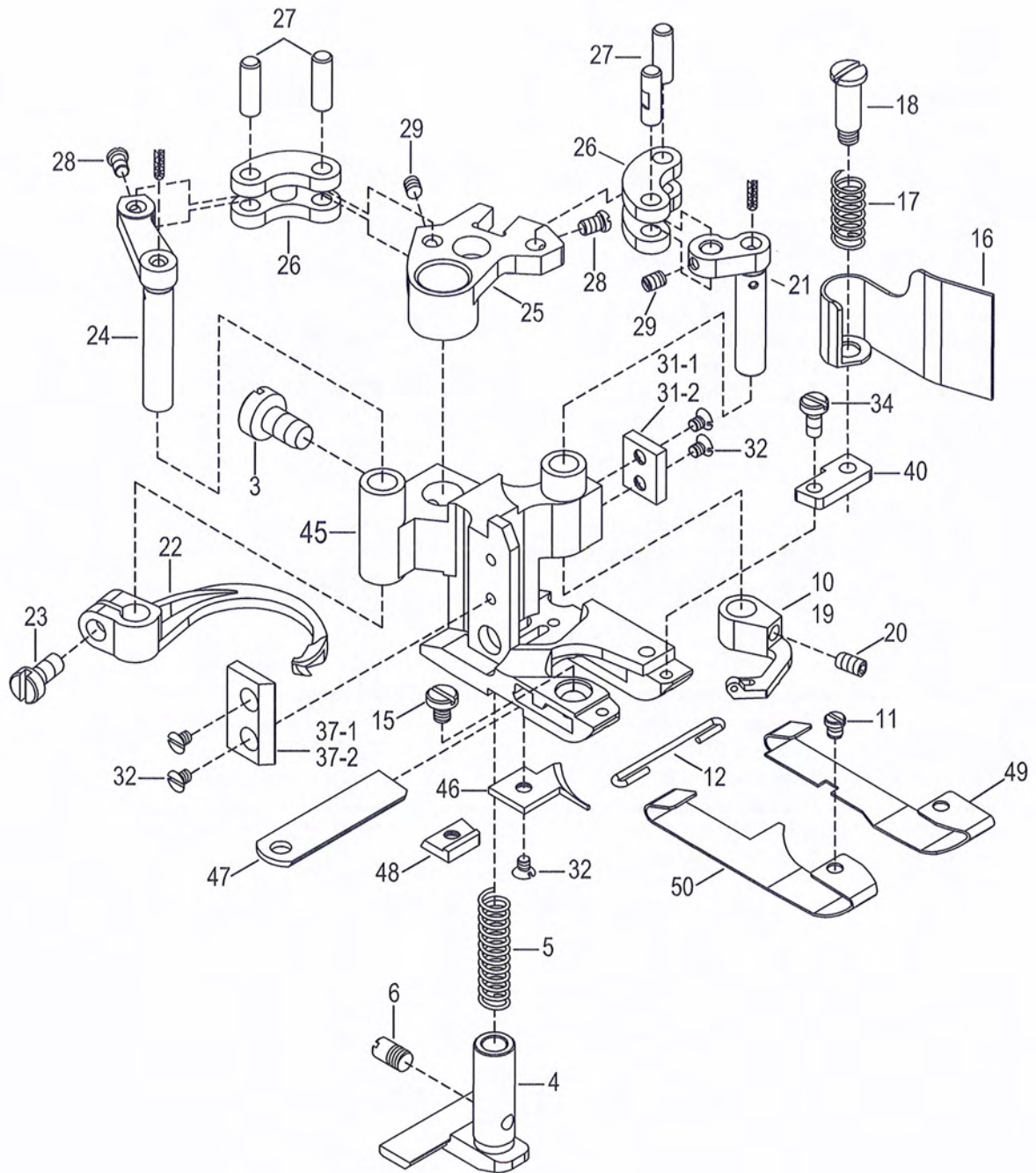
Double Edge Trimming(雙切) Presser Foot(押腳)

Ref. No.	Parts No.	Description	產品名稱	Amt. Req.
1	J4201G2N	Presser Foot Assy. #452	押腳(組)雙切	
2	J4202G2N	Presser Foot Assy. #460	押腳(組)雙切	
3	SF121	Screw (SM 11/64-40 × 7)	螺絲	1
4	J4204-R	Fabric Guide	壓布器	1
5	J2207	Spring	彈簧	1
6	J2208	Screw (SM 1/8-44 × 2.5)	螺絲	1
7				
8				
9				
10	J2220-R	Carrier (Short)	上飾線帶線器 (短#460)	
11	J2211	Screw (SM 3/32-56 × 2.5)	螺絲	1
12	J2212	Spring	C型鋼線	1
13	J2213-4	Lower Knife	下修刀	1
14	J2214-1	Lower Knife Clamp	下修刀固定片	1
15	J2215	Screw (SM 1/8-44 × 3.5)	螺絲	1
16	J4216-1	Chip Guard	修刀護罩	1
17	J2217	Spring	彈簧	1
18	J4218	Screw (SM 1/8-44 × 2.3)	螺絲	1
19	J2219-R	Carrier (Short)	上飾線帶線器 (短#452)	
20	J1657	Screw (SM 1/8-44 × 4)	螺絲	1
21	J2222-R	Crankshaft	L型曲軸 (短)	1
22	J2223-R	Hook (Long)	上飾線勾針 (短)	1
23	J2224	Screw (SM 1/8-44 × 7)	螺絲	1
24	J2225-R	Crankshaft (Long)	L型曲軸 (長)	1
25	J2226-R	Segment	押腳曲柄	1
26	J2227-1	Link	連接器	2
27	J2228-1	Pin	插銷	4
28	J2229	Screw (SM 3/32-56 × 3.5)	螺絲	2
29	J1033	Screw (SM 3/32-56 × 3)	螺絲	2
30	J4230-1	Presser Foot Shoe (R)	押腳滑板 (右)	1
31	J4231-R	Bracket (R)	押腳導片 (右) 厚	1
32	J2254	Screw (SM 3/32-56 × 3.5)	螺絲	5
33				
34	J2277	Screw (SM 3/32-56 × 5)	螺絲	1
35	J4235G2N	Presser Foot Shoe Assy	押腳滑板組	1
36	J4236-1	Presser Foot Shoe (L)	押腳滑板 (左)	1
37	J4237-R	Presser Guide (Left)	押腳導片 (左) 厚	1
38	J4238-2	Presser Foot Finger	導布器	1
39	J4239-2	Main Presser Foot	押腳主體	1
40	J4240-R	Extension Plate	延伸板	1
44				
45				
46				
47				
48				
49	J1616S-HSU	Main Feed Dog-S	主齒 (短)	
50	J2043-1	Fabric Guide	導布器	1
51	J1420	Screw (SM 3/32-56 × 3.3)	螺絲	1
52	J2041	Screw (SM 3/32-56 × 3.5)	螺絲	1

41-2

⑤1 SL-703G2H×452

⑤2 SL-703G2H×460



SL-703G2Hx452 & SL-703G2Hx460

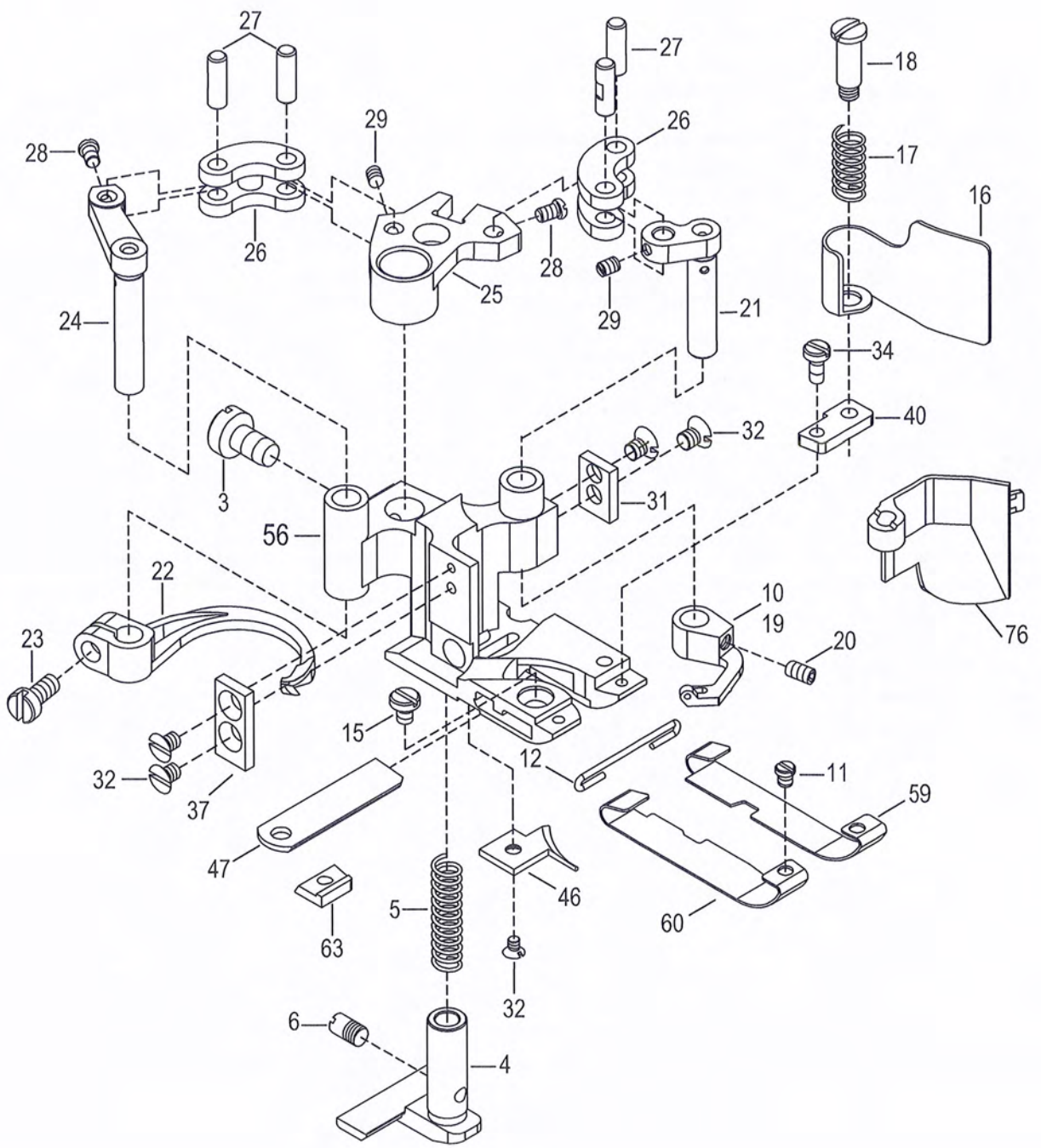
42-2

Double Edge Trimming雙切 Presser Foot (H)押腳(加寬)

Ref. No.	Parts No.	Description	產品名稱	Amt. Req.
3	SF121	Screw (SM 11/64-40 × 7)	螺絲	1
4	J4204-11	Fabric Guide	壓布器	1
5	J2207	Spring	彈簧	1
6	J2208	Screw (SM 1/8-44 × 2.5)	螺絲	1
9				
10	J2220-3	Carrier (Short)	上飾線帶線器 (短#460)	
11	J2211	Screw (SM 3/32-56 × 2.5)	螺絲	1
12	J2212	Spring	C型鋼線	1
15	J2215	Screw (SM 1/8-44 × 3.5)	螺絲	1
16		Chip Guard	修刀護罩	1
17	J2217	Spring	彈簧	1
18	J4218	Screw (SM 1/8-44 × 2.3)	螺絲	1
19	J2219-2	Carrier (Short)	上飾線帶線器 (短#452)	
20	J1657	Screw (SM 1/8-44 × 4)	螺絲	
21	J2222	Crankshaft (Short)	L型曲軸 (短)	1
22	J2223	Hook (Long)	上飾線勾針 (短)	1
23	J2224	Screw (SM 1/8-44 × 7)	螺絲	1
24	J2225	Crankshaft (Long)	L型曲軸 (長)	1
25	J2226	Segment	押腳曲柄	1
26	J2227-1	Link	連接器	2
27	J2228-1	Pin	插銷	4
28	J2229	Screw (SM 3/32-56 × 3.5)	螺絲	2
29	J1033	Screw (SM 3/32-56 × 3)	螺絲	2
30				
31-1	J4231	Bracket (R)(Heavy)	押腳導片 (右) 厚	1
31-2	J4231-1	Bracket (R)(Light)	押腳導片 (右) 薄	
32	J2254	Screw (SM 3/32-56 × 3.5)	螺絲	5
33				
34	J2277	Screw (SM 3/32-56 × 5)	螺絲	1
37-1	J4237	Presser Guide (Left)(Heavy)	押腳導片 (左) 厚	1
37-2	J4237-1	Presser Guide (Left)(Light)	押腳導片 (左) 薄	
40	J4240-R	Extension Plate	延伸板	1
44				
45	J4245-2	Main Presser Foot	押腳主體	1
46	J4246	Presser Foot Finger	導布器	1
47	J4247-1	Lower Knife	下修刀	1
48	J4264	Lower Knife Clamp	下修刀固定片	1
49	J4249	Presser Foot Shoe (R)	押腳滑板 (右)	1
50	J4250	Presser Foot Shoe (L)	押腳滑板 (左)	1
51	J4251	Presser Foot Assy. #452	押腳 (組) 雙切	
52	J4252	Presser Foot Assy. #460	押腳 (組) 雙切	

⑤7 SL-703-G0H×452

③3 SL-703-G0H×460



SL-703G0Hx452 & SL-703-G0Hx460

Double Edge Trimming雙切 Presser Foot(H)加寬押腳，車保暖衣

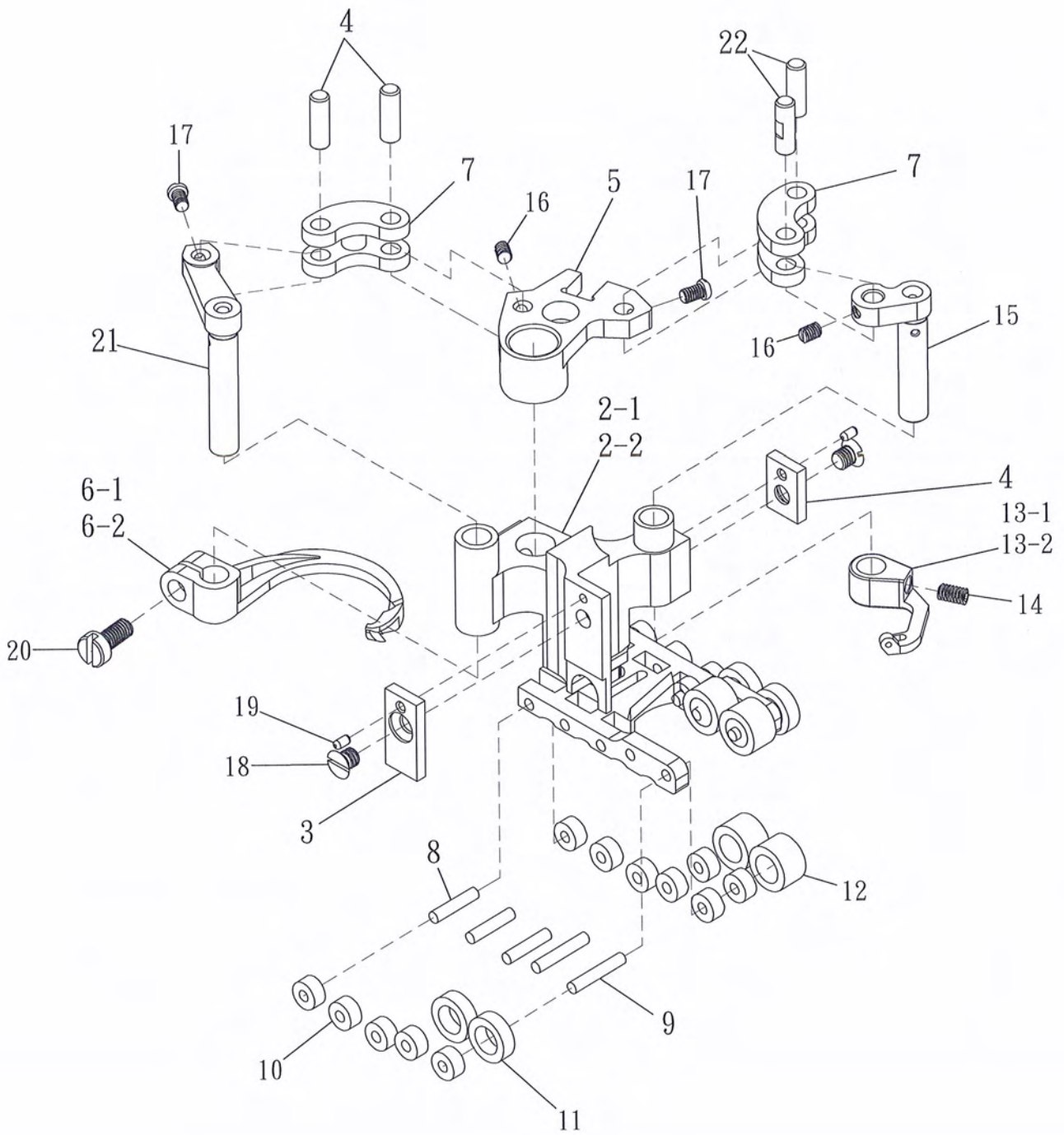
42-3

Ref. No.	Parts No.	Description	產品名稱	Amt. Req.
3	SF121	Screw (SM 11/64-40 × 7)	螺絲	1
4	J4204W2	Fabric Guide	壓布器	1
5	J2207	Spring	彈簧	1
6	J2208	Screw (SM 1/8-44 × 2.5)	螺絲	1
9				
10	J2220-3	Carrier (Short)	上飾線帶線器 (短#460)	1
11	J2211	Screw (SM 3/32-56 × 2.5)	螺絲	1
12	J2212	Spring	C型鋼線	1
15	J2215	Screw (SM 1/8-44 × 3.5)	螺絲	1
16	J4216-1	Chip Guard	修刀護罩	1
17	J2217	Spring	彈簧	1
18	J4218	Screw (SM 1/8-44 × 2.3)	螺絲	1
19	J2219-2	Carrier (Short)	上飾線帶線器 (短#452)	1
20	J1657	Screw (SM 1/8-44 × 4)	螺絲	
21	J2222	Crankshaft (Short)	L型曲軸 (短)	1
22	J2223	Hook (Long)	上飾線勾針 (短)	1
23	J2224	Screw (SM 1/8-44 × 7)	螺絲	1
24	J2225	Crankshaft (Long)	L型曲軸 (長)	1
25	J2226	Segment	押腳曲柄	1
26	J2227-1	Link	連接器	2
27	J2228-1	Pin	插銷	4
28	J2229	Screw (SM 3/32-56 × 3.5)	螺絲	2
29	J1033	Screw (SM 3/32-56 × 3)	螺絲	2
30				
31	J4231	Bracket (R)(Heavy)	押腳導片 (右) 厚	1
	J4231-1	Bracket (R)(Light)	押腳導片 (右) 薄	
32	J2254	Screw (SM 3/32-56 × 3.5)	螺絲	5
33	J4233	Presser Foot Assy. #460	押腳 (組) 雙切	
34	J2277	Screw (SM 3/32-56 × 5)	螺絲	1
37	J4237	Presser Guide (Left)(Heavy)	押腳導片 (左) 厚	1
	J4237-1	Presser Guide (Left)(Light)	押腳導片 (左) 薄	
40	J4240-1	Extension Plate	延伸板	1
46	J4238-2	Presser Foot Finger	導布器	1
47	J2213-4	Lower Knife	下修刀	1
56	J4256	Main Presser Foot	押腳主體	1
57	J4257	Presser Foot Assy. #452	押腳 (組) 雙切	
58				
59	J4207-1	Presser Foot Shoe (R)	押腳滑板 (右)	1
60	J4254	Presser Foot Shoe (L)	押腳滑板 (左)	1
63	J4263	Lower Knife Clamp	下修刀固定片	1
76	J4276	Finger Safety Guide	護指保護蓋	1

41-4

① 1-1 SL-703-G5x460

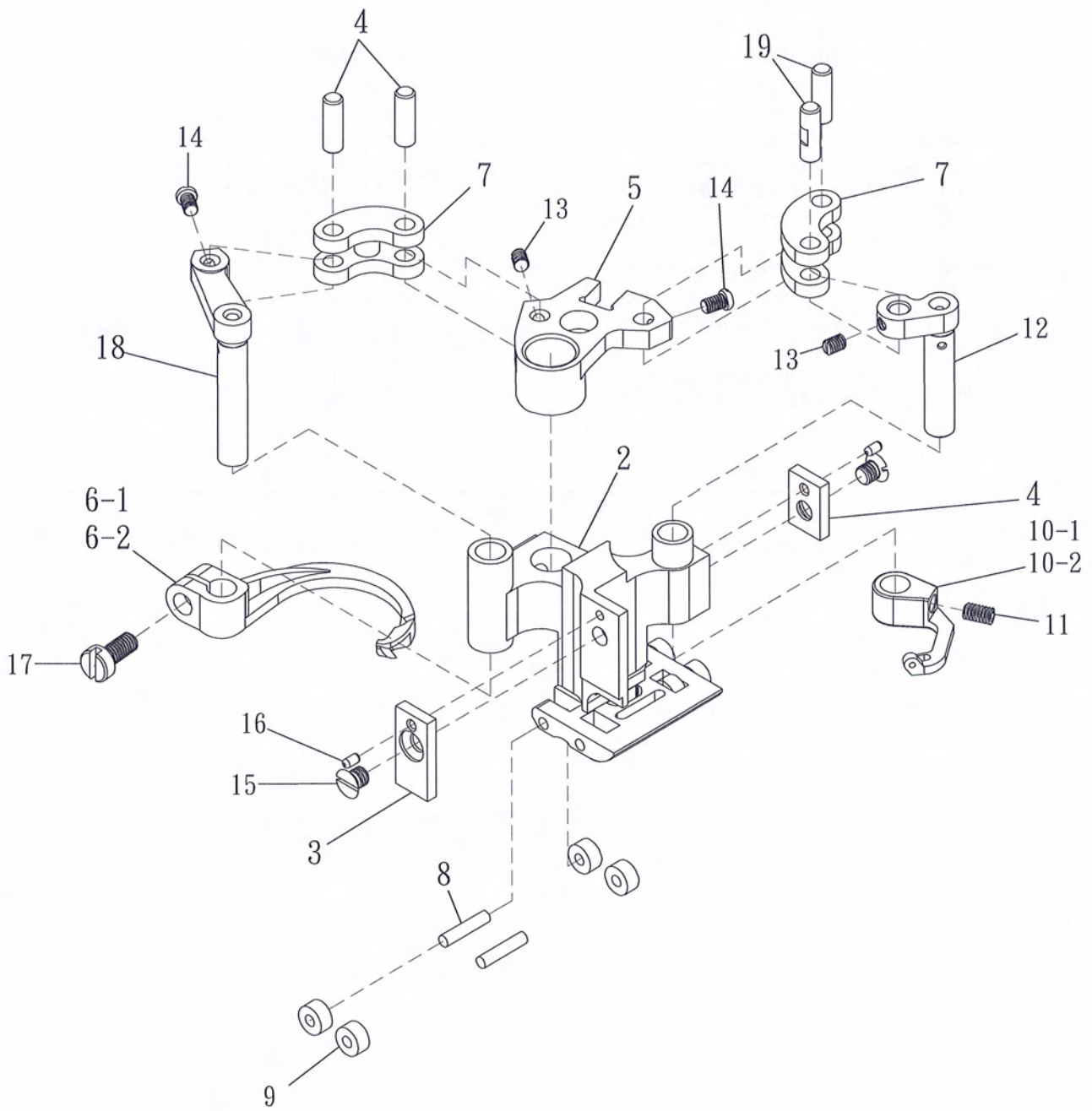
① 1-2 SL-7**-G5x480



SL-701-G5x460**Single Edge Trimming(單切) Presser Foot(押腳), 車潛水衣****42-4****SL-7**-G5x480****Single Edge Trimming(單切) Presser Foot(Long)(長押腳), 車潛水衣**

Ref. No.	Parts No.	Description	產品名稱	Amt. Req.
1-1	J4277	Presser Foot Assy. #460	押腳(組)單切	
1-2		Presser Foot Assy. #480	押腳(組)單切	
2-1	J4270	Main Presser Foot	押腳主體(6.0)	1
2-2	TJ4278	Main Presser Foot	押腳主體(8.0)	
3	J2236	Presser Guide (L)	押腳導片(左)	1
4	J2232-1	Presser Guide (R)	壓腳導片(右)	1
5	J2226	Segment	押腳曲柄	2
6-1	J2223	Hook (Short)	上飾線勾針(短)	1
6-2	J2423	Hook (Long)	上飾線勾針(長)	
7	J2227-1	Link	連接器	2
8	J4271	Pin	針狀培林	6
9	J4272	Pin	針狀培林	4
10	J4273	Ball Bearing	滾珠培林	24
11	J4274	Wheel	輪	4
12	J4275	Wheel	輪	4
13-1	J2220-3	Carrier (Short)	上飾線帶線器(短#460)	1
13-2	J2410	Carrier (Long)	上飾線帶線器(長#480)	
14	J1657	Screw (SM 1/8-44 × 4)	螺絲	1
15	J2222	Crankshaft	L型曲軸(短)	1
16	J1033	Screw (SM 3/32-56 × 3)	螺絲	2
17	J2229	Screw (SM 3/32-56 × 3.5)	螺絲	2
18	J2233	Screw (SM 1/8-44 × 3.5)	螺絲	2
19	J0633	Pin	插銷	2
20	J2224	Screw (SM 1/8-44 × 7)	螺絲	1
21	J2225	Crankshaft (Long)	L型曲軸(長)	1
22	J2228-1	Pin	插銷	4

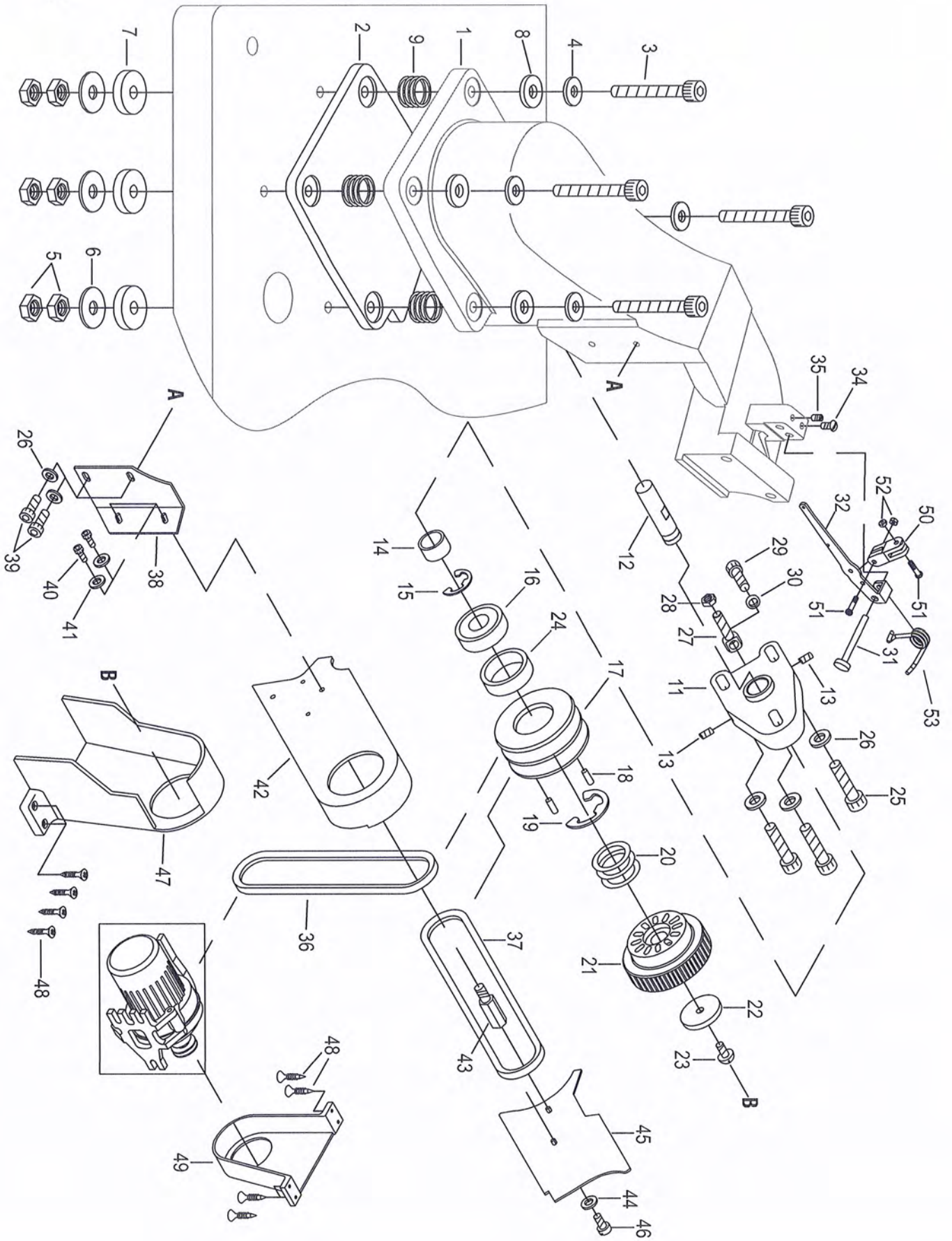
① SL-700-G6x480



SL-700-G6x480

42-5

Ref. No.	Parts No.	Description	產品名稱	Amt. Req.
1		Presser Foot Assy. #480	押腳(組)單切	
2	TJ4279	Main Presser Foot	押腳主體 (8.0)	
3	J2236	Presser Guide (L)	押腳導片(左)	1
4	J2232-1	Presser Guide (R)	壓腳導片(右)	1
5	J2226	Segment	押腳曲柄	2
6-1	J2223	Hook	上飾線勾針(短)	1
6-2	J2423	Hook (Long)	上飾線勾針(長)	
7	J2227-1	Link	連接器	2
8	J4271	Pin	針狀培林	4
9	J4273	Ball Bearing	滾珠培林	8
10-1	J2220-3	Carrier (Short)	上飾線帶線器 (短#460)	1
10-2	J2410	Carrier (Long)	上飾線帶線器 (長#480)	
11	J1657	Screw (SM 1/8-44 × 4)	螺絲	1
12	J2222	Crankshaft	L型曲軸(短)	1
13	J1033	Screw (SM 3/32-56 × 3)	螺絲	2
14	J2229	Screw (SM 3/32-56 × 3.5)	螺絲	2
15	J2233	Screw (SM 1/8-44 × 3.5)	螺絲	2
16	J0633	Pin	插銷	2
17	J2224	Screw (SM 1/8-44 × 7)	螺絲	1
18	J2225	Crankshaft (Long)	L型曲軸 (長)	1
19	J2228-1	Pin	插銷	4



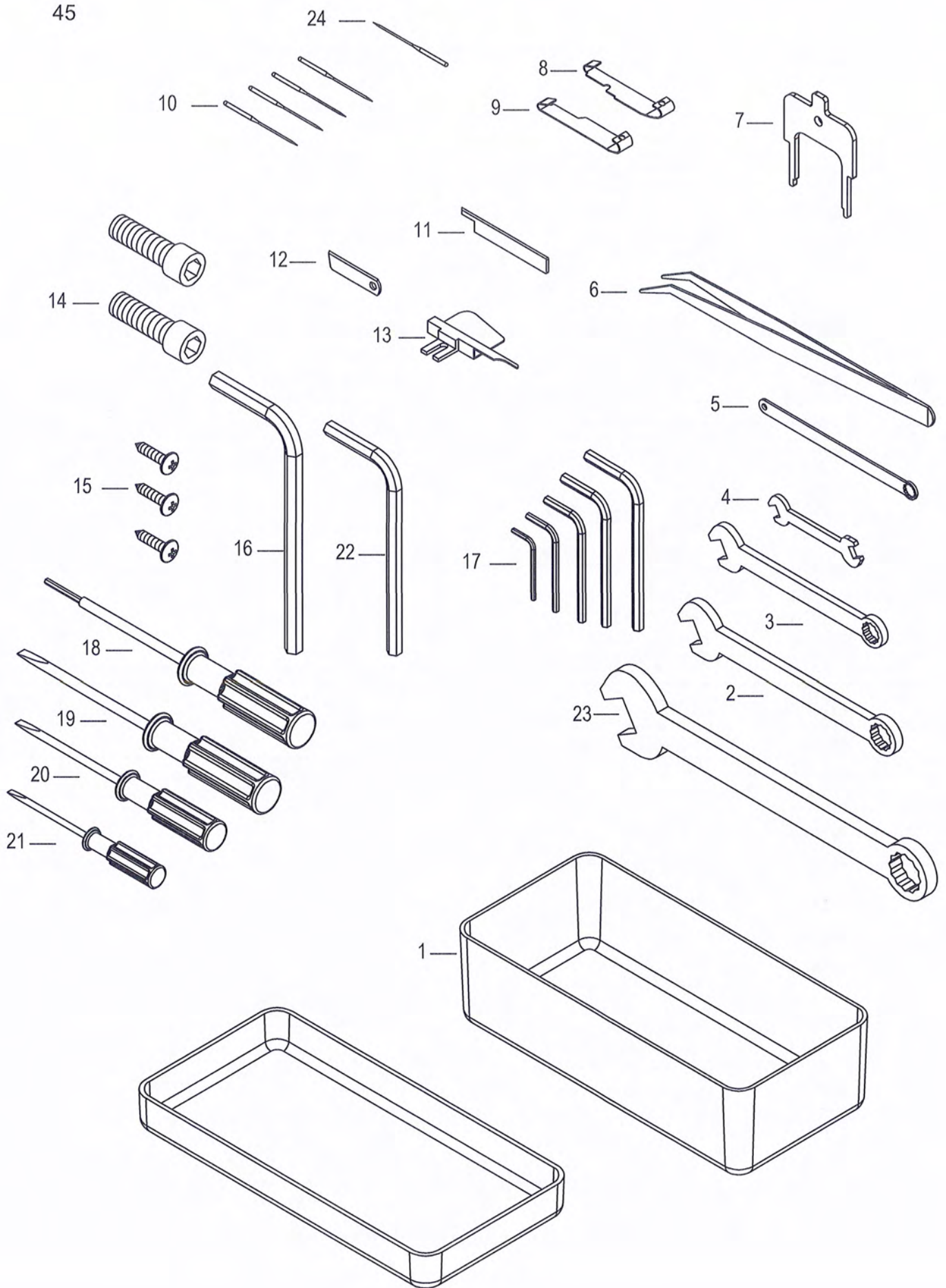
Mounting Assy & Clutch Motor

固定座與傳動機構

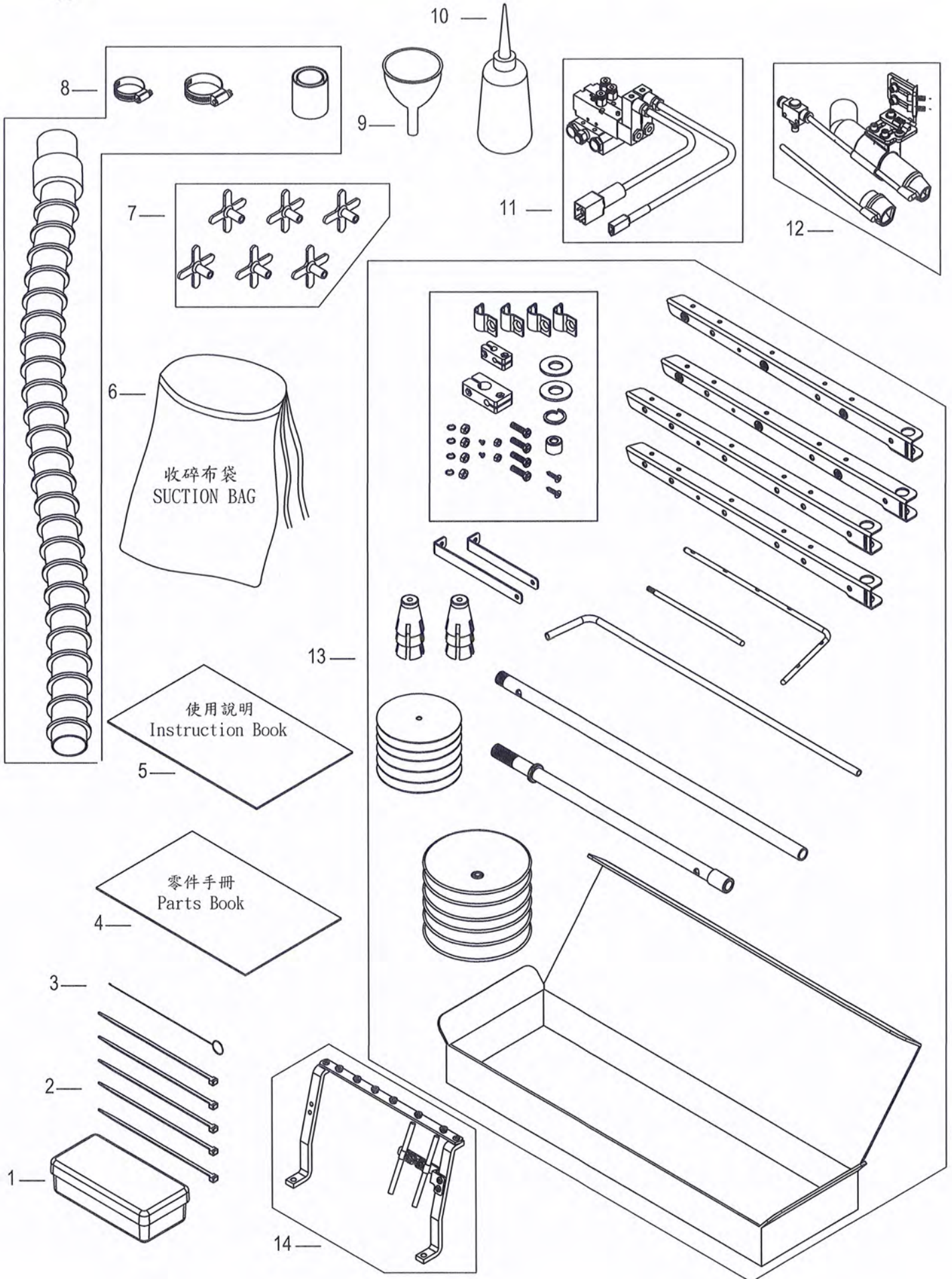
44

Ref. No.	Parts No.	Description	產品名稱	Amt. Req.
1	J3601-1	Rest Bracket	機體固定座	1
2	J3602-1	Gasket	羊毛氈	1
3	J3603	Screw (M10-1.5 × 100)	螺絲	4
4	J3010	Washer (M10)	華司	4
5	J3605	Nut (M10-1.5)	螺帽	8
6	J3642	Washer	墊片	4
7	J3009	Rubber Cushion	橡膠	4
8	J3651	Rubber Cushion	橡膠	4
9	J3648	Spring	彈簧	4
11	J3627	Bearing House	培林座	1
12	J4410	Shaft	軸心	1
13	GL37	Screw (M5-0.8 × 12)	螺絲	2
14	J3644	Washer	隔環	1
15	VE21	Retainung Ring	扣環	1
16	VE22	Bearing	培林	2
17	J4405	Inner Belt Wheel	被動輪	1
18	J0225-1	Location Pin	定位銷	2
19	J3623	Retainung Ring	扣環	1
20	J3637	Spring	彈簧	1
21	J3638	Pulley	手動輪	1
22	J3639	Washer	墊片	1
23	J3650	Screw (M4-0.7 × 12)	螺絲	1
24	J4424	Washer	大隔環	1
25	SF243	Screw (M6-1.0 × 25)	螺絲	3
26	WF06	Washer	墊片	5
27	J3624	Fixed Bolt	固定樁	1
28	J3628	Nut (M6-1.0)	螺母	1
29	J3632	Screw (M5-0.8 × 25)	螺絲	1
30	SW06	Spring Washer	彈簧華司	1
31	J3021	Pin	插銷	1
32	J3621-1	Lift Bar	押腳提升	1
34	SV262	Screw (M6-1.0 × 10)	螺絲	1
35	SV264	Screw (M6-1.0 × 8)	螺絲	1
36	J4436-1	Belt M33	皮帶 (馬達傳動)	1
37	J4437-2	Belt M27	皮帶 (機台傳動)	1
38	J4402	Link Bracket	連接固定架	1
39	SV266	Screw (M6-1.0 × 10)	螺絲	2
40	SV251	Screw (M5-0.8 × 8)	螺絲	2
41	VK48	Washer	墊片	2
42	J4401	Belt Cover	皮帶輪蓋 (被動)	1
43	J4443	Screw (M4-0.7)	螺絲	2
44	WF04	Washer	墊片	1
45	J4403	Safety Guard	安全蓋	1
46	SV221	Screw (M4-0.7 × 8)	螺絲	2
47	J4404	Belt Guard	安全輪蓋 (傳動)	1
48	J036	Wood Screw	木螺絲	8
49	J4415	Motor Cover	馬達蓋	1
50	J3826	Connecting Rod	連桿	1
51	22-16	Screw (M5-0.8 × 21)	螺軸	2
52	NV12	Nut (M5-0.8)	螺帽	2
53	J3023-1	Spring	扭簧	1

45



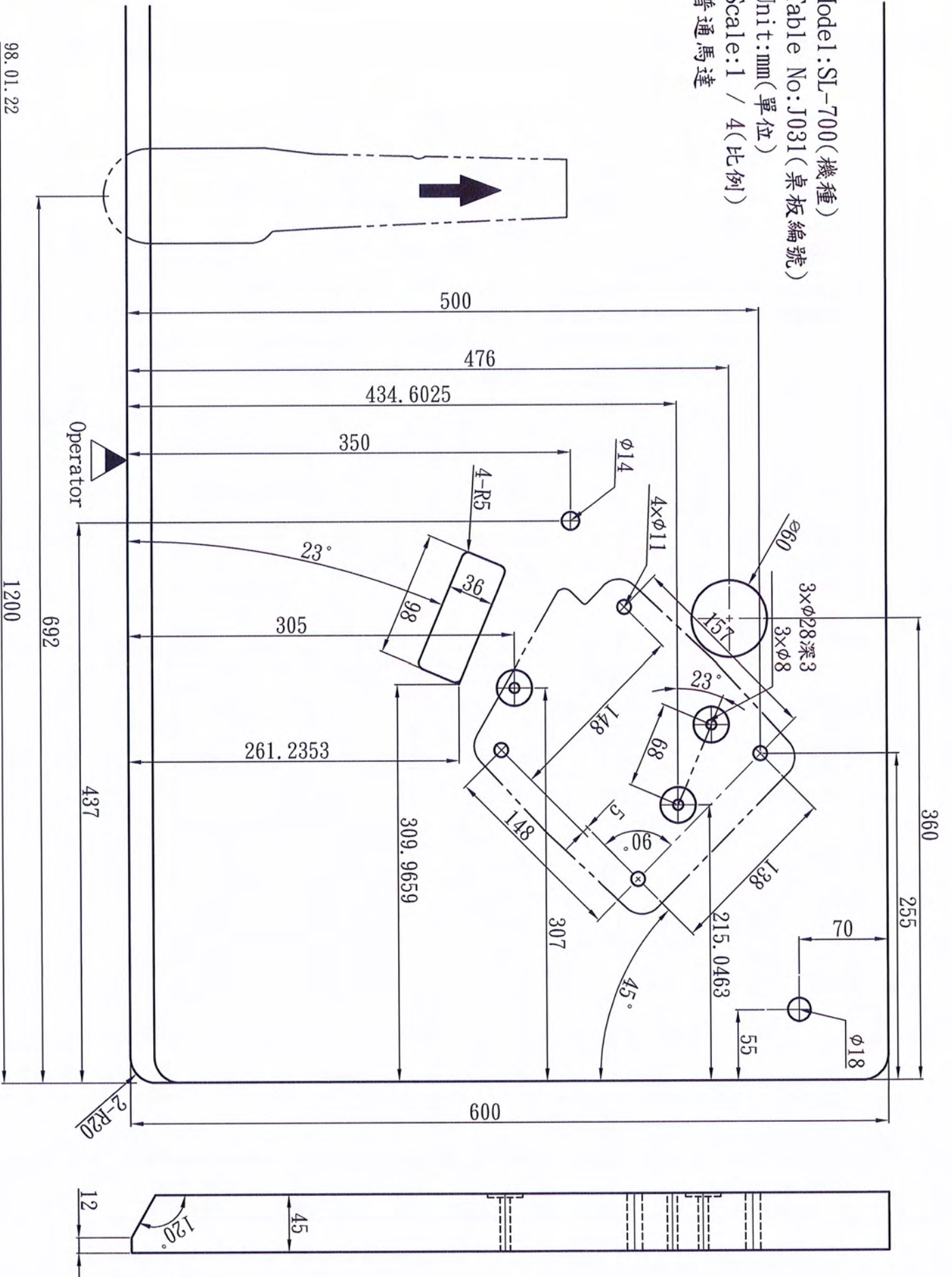
Attachment Box			附件盒	46
Ref. No.	Parts No.	Description	產品名稱	Amt. Req.
1	FM21	Attachment Box	附件盒	1
2	J017	Wrench	板手(10,11)	1
3	J016	Wrench	梅開板手(3/8")	1
4	J014	Wrench	板手(6,7)	1
5	J109	Wrench	5號梅花型板手	1
6	FM14	Pincer	穿線夾	1
7		Synchronizer Wrench	定位調整片	1
8	J2210	Foot Shoe (Right)	滑板右	1
9	J2209	Foot Shoe (Left)	滑板左	1
10	FL118GCS 75/11-1	Needle	針	4
11	J1037-R1	Upper Knife (Standard)	修刀(標準型)	1
12	J2213-4	Lower Knife	下修刀	1
13	J023	Folder	單切喇叭	1
14	J3003	Screw (SM 3/8-16 × 32)	螺絲	2
15	15-24	Wood Screw	木螺絲	3
16	J021	Wrench	L型六角板手(8mm)	1
17	FM20-A	Wrench	L型六角板手組	1
18	FM18	Screw Driver	六角起子	1
19	FM09	Screw Driver	一字起子	1
20	FM19	Screw Driver	一字起子	1
21	FM23-1	Screw Driver	一字起子	1
22	1M105	Wrench	L型六角板手(6mm)	1
23	J147	Wrench	17號梅花型板手	1
24	FLG-3-9	Needle	針	1



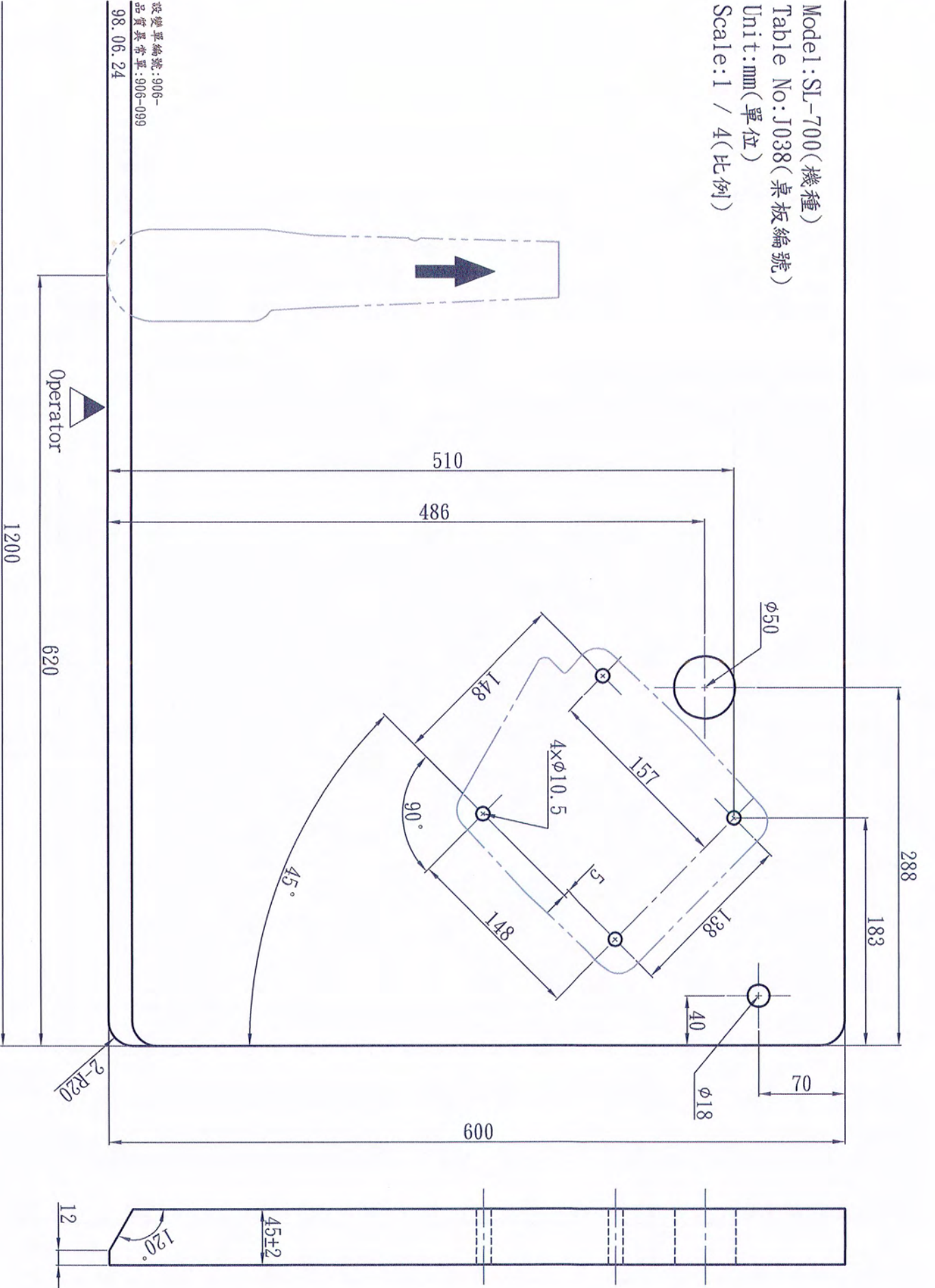
Accessories

Ref. No.	Parts No.	Description	附件箱 產品名稱	48 Amt . Req .
1	FM21	Attachment Box	附件盒	1
2		Wire Clamp	束線帶	5
3	J029	Threading Wire	線勾	1
4	J143	Parts Book	零件手冊	1
5		Instruction Book	使用說明	1
6	27-04	Suction Bag	收碎步袋	1
7	FM02	Retaining Fig	橡膠固定器	6
8	24-4-A	Suction Pipe	塑膠管組	1
9	FM12	Funnel	漏斗	1
10	FM13	Oiler	油壺	1
11	J3401-3	Air Solenoiol	電磁整組	1
12	J3243-3	Suction Device Assy	吸風管組	1
13	J028	Thread Guide	線架	1
14	J2637	Thread Eyelet Assy	過線組	1

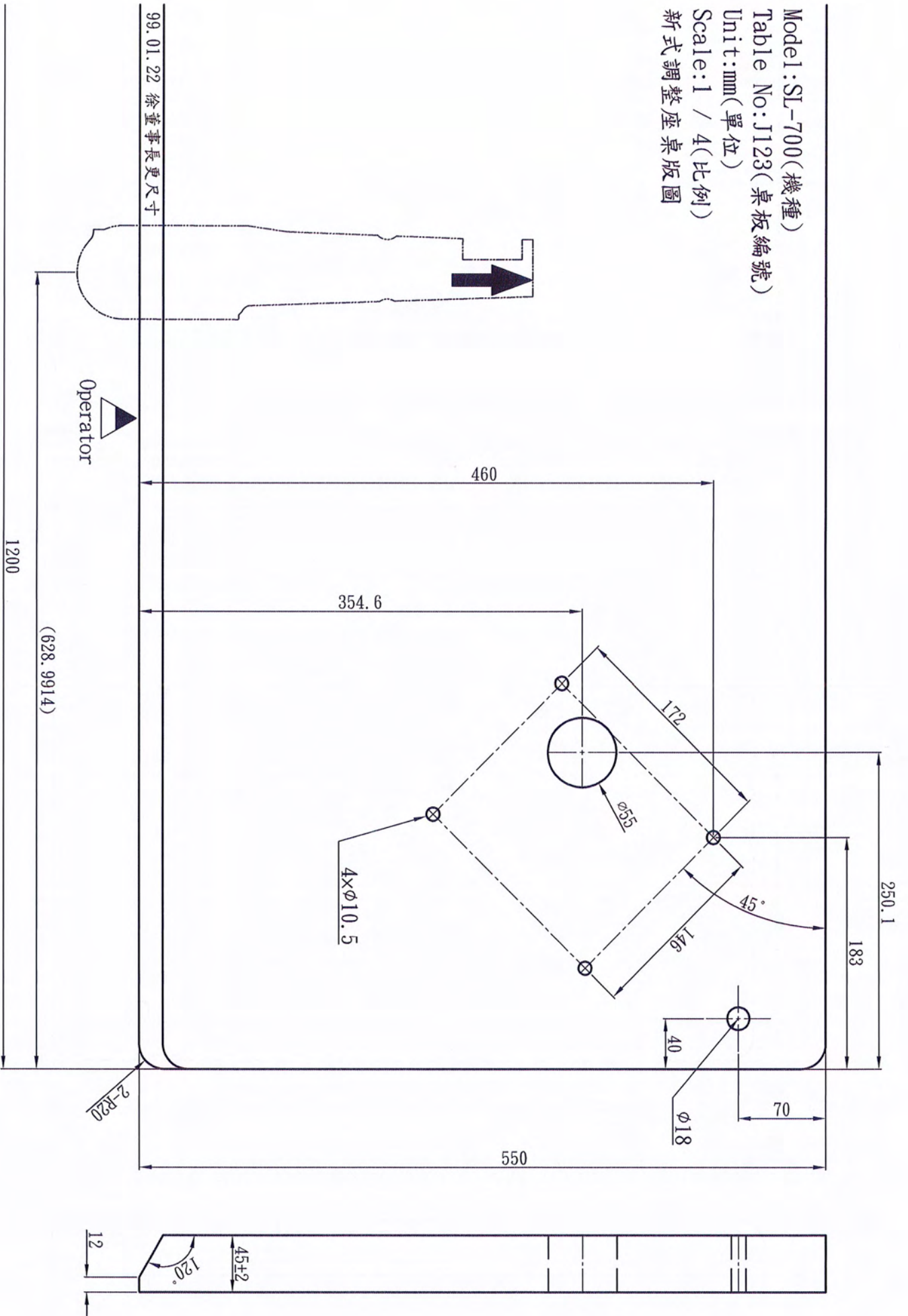
Model: SL-700 (機種)
 Table No: J031 (桌板編號)
 Unit: mm (單位)
 Scale: 1 / 4 (比例)
 普通馬達



Model: SL-700 (機種)
 Table No: J038 (桌板編號)
 Unit: mm (單位)
 Scale: 1 / 4 (比例)



Model: SL-700 (機種)
Table No: J123 (桌板編號)
Unit: mm (單位)
Scale: 1 / 4 (比例)
新式調整座桌版圖



99.01.22 徐董事長更尺寸

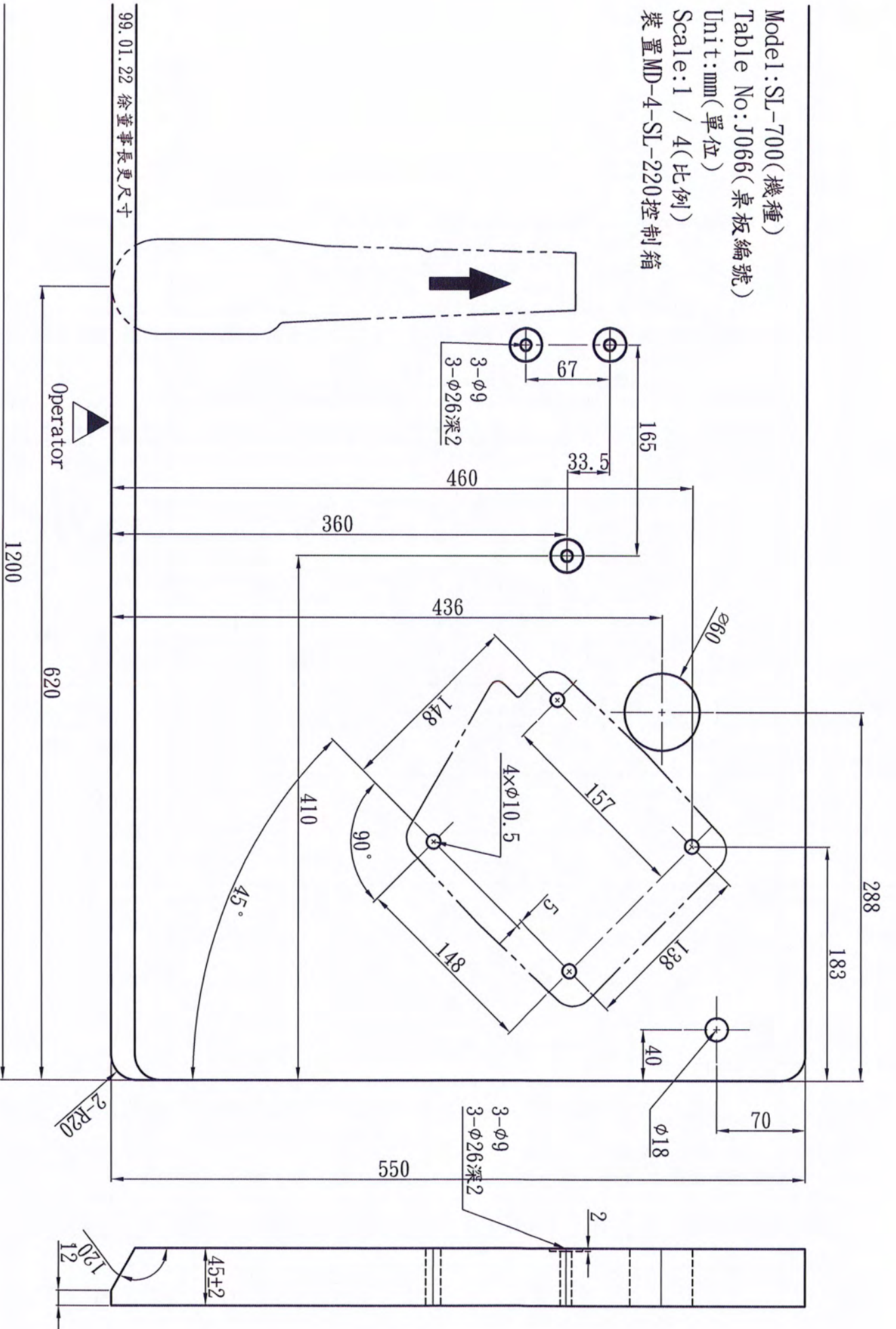
Operator

(628.9914)

2-R20

12
45±2
120°

Model: SL-700 (機種)
 Table No: J066 (桌板編號)
 Unit: mm (單位)
 Scale: 1 / 4 (比例)
 裝置 MD-4-SL-220 控制箱



99.01.22 徐董事長更尺寸



99.05.15

SL - 700 GAUGE PARTS LIST 系列針距規格表

機種	針距	針槽	針板	針板舌	主齒	差動齒	押腳	下勾針	補助器	頂針	導布器	針	滑板左	滑板右
SL-701-G0	452 460	10824-4525 10824-4605	10829S-601 10829S-521	10831S-4521 10831S-4601	J1616S	J1623S	J2201-452 J2202-460	J1232	J1233	J1618	J023-2	NEEDLE UY118GKS#75	J2209	J2210
SL-701-G1	452 460	10824-4525 10824-4605	10829S-601 10829S-521	10831S-4521 10831S-4601	J1616S	J1623S	J2203-452 J2204-460	J1232	J1233	J1618	J023-2		J2209	J2210
SL-703-G2	452 460	10824-4525 10824-4605	10829S-601 10829S-521	10831S-4521 10831S-4601	J1616S	J1623S	J4201-452 J4202-460	J1232	J1233	J1618	J2035	J4242, J4209	J4241, J4207	
SL-703-G2H	452 460	10824-4525 10824-4605	10829S-601 10829S-521	10831S-4521 10831S-4601	J1616S	J1623S	J4251-452 J4252-460	J1232	J1233	J1618	J2039S	J4250	J4249	
SL-703-G3	452 460	10824-4525 10824-4605	10829S-601 10829S-521	10831S-4521 10831S-4601	J1616S	J1623S	J2237-452 J2238-460	J1232	J1233	J1618	J2039S	J2246	J2251	
SL-703-G4	452 460	10824-4525 10824-4605	10829S-601 10829S-521	10831S-4521 10831S-4601	J1616S	J1623S	J2247-452 J2248-460	J1232	J1233	J1618	J2039S	J2246	J2251-1	
SL-703U	452 460	10824-4525 10824-4605	10829S-601 10829S-521	10831S-4521 10831S-4601	J1616S	J1623S	J2271-452 J2272-460	J1232	J1233	J1618	J2039S	J2270	J2269	
SL-703A-G4	452 460	10824-4525 10824-4605	10829A1-4521 10829A1-4601	10831S-4521 10831S-4601	J1616A1	J1623A1	J2239-452 J2240-460	J1232	J1233	J1618	J2039S	J2246	J2251-1	
SL-703B-G4	452 460	10824-4525 10824-4605	10829B1-5-4521 10829B1-5-4601	10831S-4521 10831S-4601	J1616B1.5	J1623B1.5	J2264-452 J2265-460	J1232	J1233	J1618	J2039S	J2266	J2251-1	
SL-713-G0	452 460	10824-4525 10824-4605	10829L-4521 10829L-4601	10831S-4521 10831S-4601	J1616L	J1623L1	J2401-452 J2402-460	J1232	J1233	J1618	J2039S	J2409	J2407	
SL-713-G1	452 460	10824-4525 10824-4605	10829L-4521 10829L-4601	10831S-4521 10831S-4601	J1616L	J1623L1	J2443-452 J2444-460	J1232	J1233	J1618	J2039S	J2409	J2407	
SL-713-G1	480	10824-4802	10829-480	10831-480	J1616-8	J1623-8	J2408-480	J1232	J1232	J1618-8	J2039S	J2409	J2407	
SL-703G3	552	10824-552	10829S-4524	10831552								UV118/GKS-11-1		

102/03/11 Ku Hung Jung 校對

