



EM 113 BR

Single needle decorative fancy stitch machine with
thread crossing device for braid-stitch

INSTRUCTION / OPERATING MANUAL
PARTS MANUAL

EM113 BR
DOUBLE-STITCH LOCKSTITCH
SEWING MACHINE

Double-coloured floral rope machine, the appearance of this machine is novel, the line mark is unique and beautiful, refuel full automatically, low noises, low convulsion, regulating and operating simply and directly with high efficiency. It is suitable for the decorative sewing such as men and women's dress, leather shoes, sportswear, children dress, bedspread, handbag, etc.

MODEL		EM113 BR
MAX SEWING SPEED		1600r.p.m
STITCH LENGTH		0-4.5mm
NEEDLE BAR STROKE		32mm
PRESS	BY HAND	5mm
FOOT LIFT	BY KNEE	13mm
FEED-DOG		3-row feed dog
LUBRICATION		Automatic lubrication
RATING POWER		400W/4P

Contents

Operation Manual.....	1
Parts Book.....	18
For Medium Heavy Materials.....	19
Arm Bed Components.....	19
Main Shaft & Take-up Components.....	21
Needle Bar & Thread Tension Components.....	23
Presser Bar Components.....	25
Hook Driving Shaft Components.....	27
Feed Mechanism Components.....	29
Feed Regulatig Components.....	31
Lubrication Components.....	33
Oil Reservoir & Knee Lifter Components.....	35
Machine Head Accessories (1).....	37
Machine Head Accessories (2).....	39
Machine Stand, Table & Electric Appliance Components.....	41
For Heavy Weight Materials.....	43

Operation Manual

BEFORE OPERATION

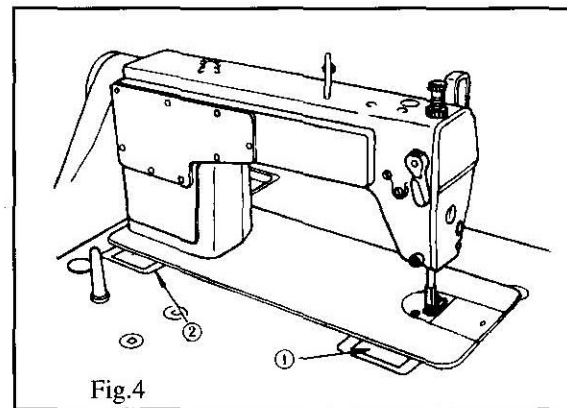
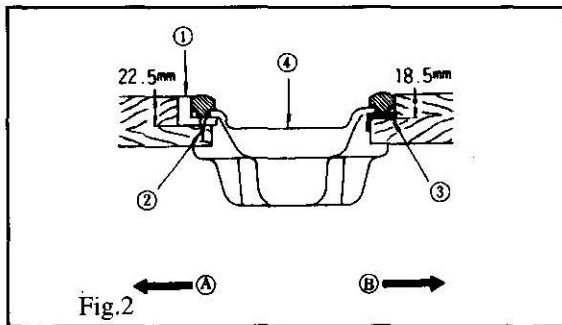
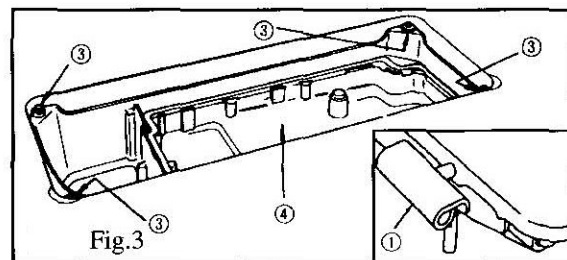
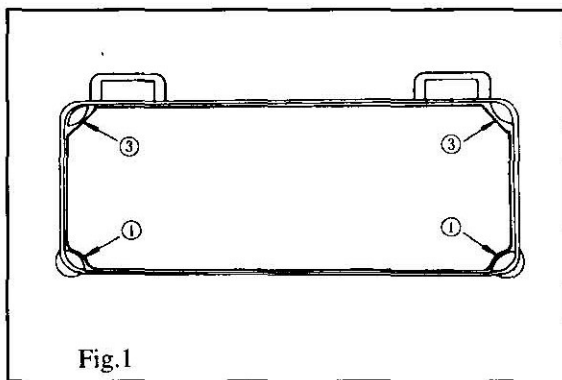
1. Never operate the machine unless its oil pan has been filled with oil.
2. After setting up the machine, check the direction of motor rotation. To check it, turn the handwheel by hand to bring the needle down, and turn the power switch ON while observing the handwheel. (The handwheel should turn counterclockwise as observed from the handwheel side.)
3. Do not use a larger motor pulley for the first one month.
4. Confirm that the voltage and phase (single or 3-phase) are correct by checking them against the ratings shown on the motor nameplate.

OPERATION PRECAUTIONS

1. Keep your hands away from the needle when you turn the power switch ON or while the machine is operating.
2. Do not put your fingers into the thread take-up cover while the machine is operating.
3. Be sure to turn the power switch OFF before tilting the machine head or removing the V belt.
4. When an operator leaves from the machine, make sure to turn off the power.
5. During operation, be careful not to allow your or any other person's head or hands to come close to the handwheel, V belt, bobbin winder or motor. Also, do not place anything close to them. Doing so may be dangerous.
6. If your machine is provided with a belt cover, finger guard or any other protectors, do not operate your machine with any of them removed.
7. Don't clean the face of machine head with thinner.

*Installing the oil pan

- 1) The oil pan should rest on the four corners of the machine table groove.
- 2) Fix two rubber seats ① on side A (operator's side) using nails ② as illustrated above. Fix two cushion seats ③ on side B (hinged side) using nails ②. Then place oil pan ④ on the fixed seats. (Fig.1, Fig.2)
- 3) Fit hinge ① into the opening in the machine bed, and fit the machine head to table rubber hinge ② before placing the machine head on cushions ③ on the four corners. (Fig.3, Fig.4)



LUBRICATION (FIG. 5, FIG. 6)

1. Information on lubrication (Fig.5)

*Before starting the machine

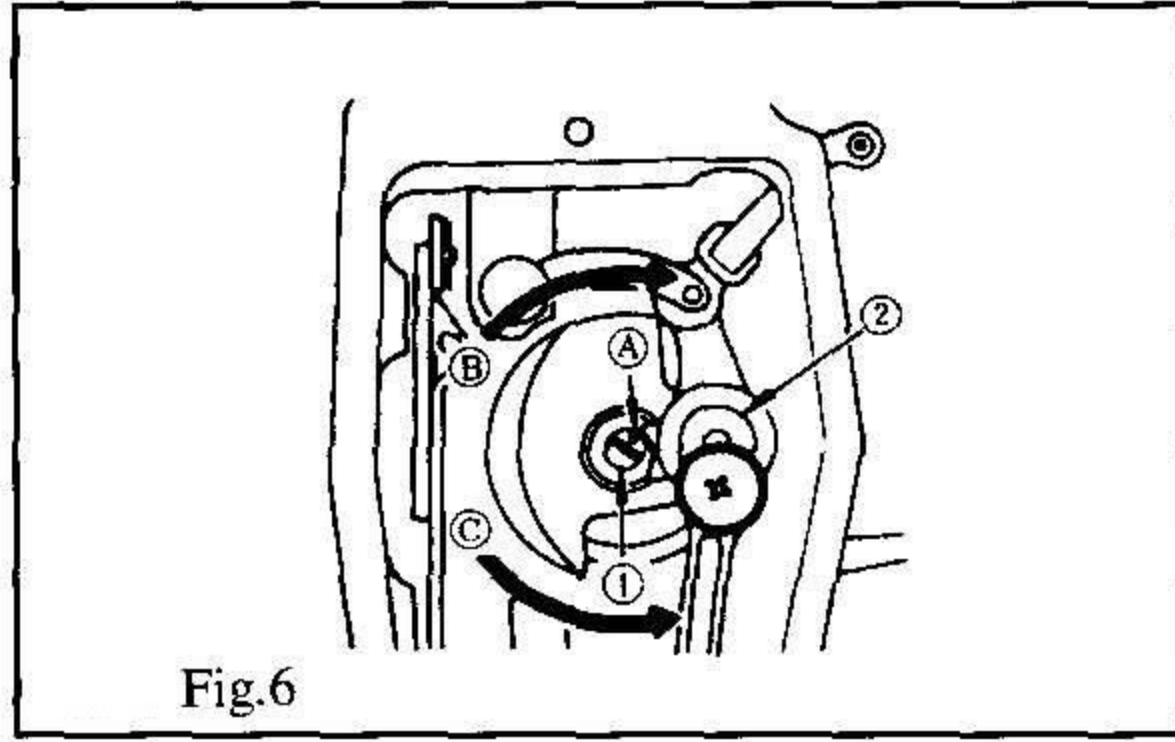
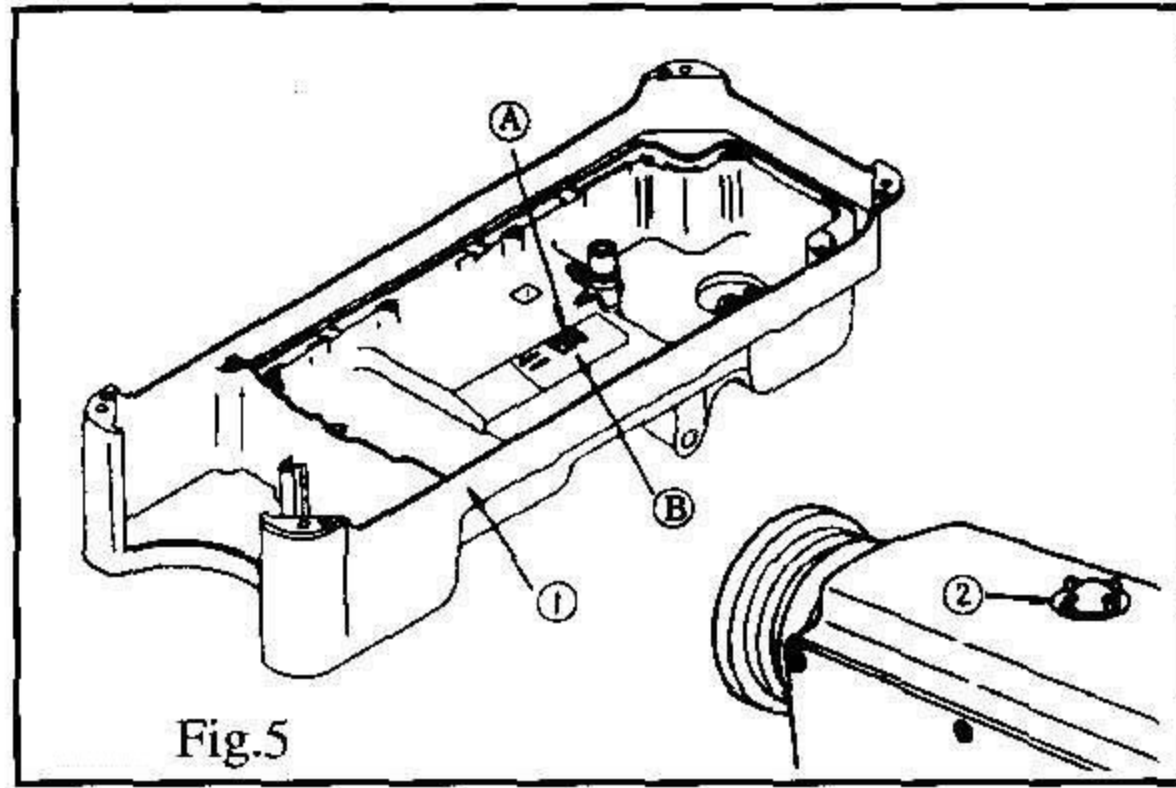
- 1) Fill oil pan ① with sewing machine oil (10 white oil) up to HIGH mark A.
- 2) When the oil level lowers below LOW mark B, refill the oil pan with the specified oil.
- 3) When you operate the machine after lubrication, you will see splashing oil through oil sight window ② if the lubrication is adequate.
- 4) Note that the amount of the splashing oil is unrelated to the amount of the lubricating oil.

*Precaution

When you first operate your machine after set up or after an extended period of disuse, run your machine at 3,000 s.p.m. to 3,500 s.p.m. for about 10 minutes for the purpose of break-in.

2. Adjusting the amount of oil supplied to the face plate parts (Fig.6)

- 1) Adjust the amount of oil supplied to the thread take-up and needle bar crank ② by turning adjust pin ①.
- 2) The minimum amount of oil is reached when marker dot A is brought close to needle bar crank ② by turning the adjust pin in direction B.
- 3) The maximum amount of oil is reached when marker dot A is brought to the position just opposite from the needle bar crank by turning the adjust pin in direction C.



ADJUSTING AMOUNT OF OIL SUPPLY TO THE HOOK

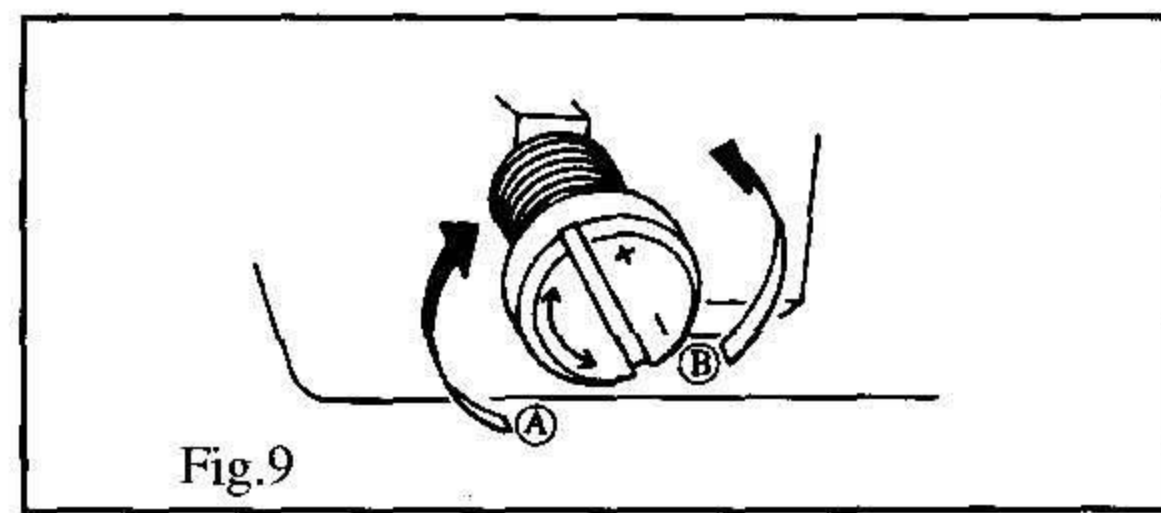
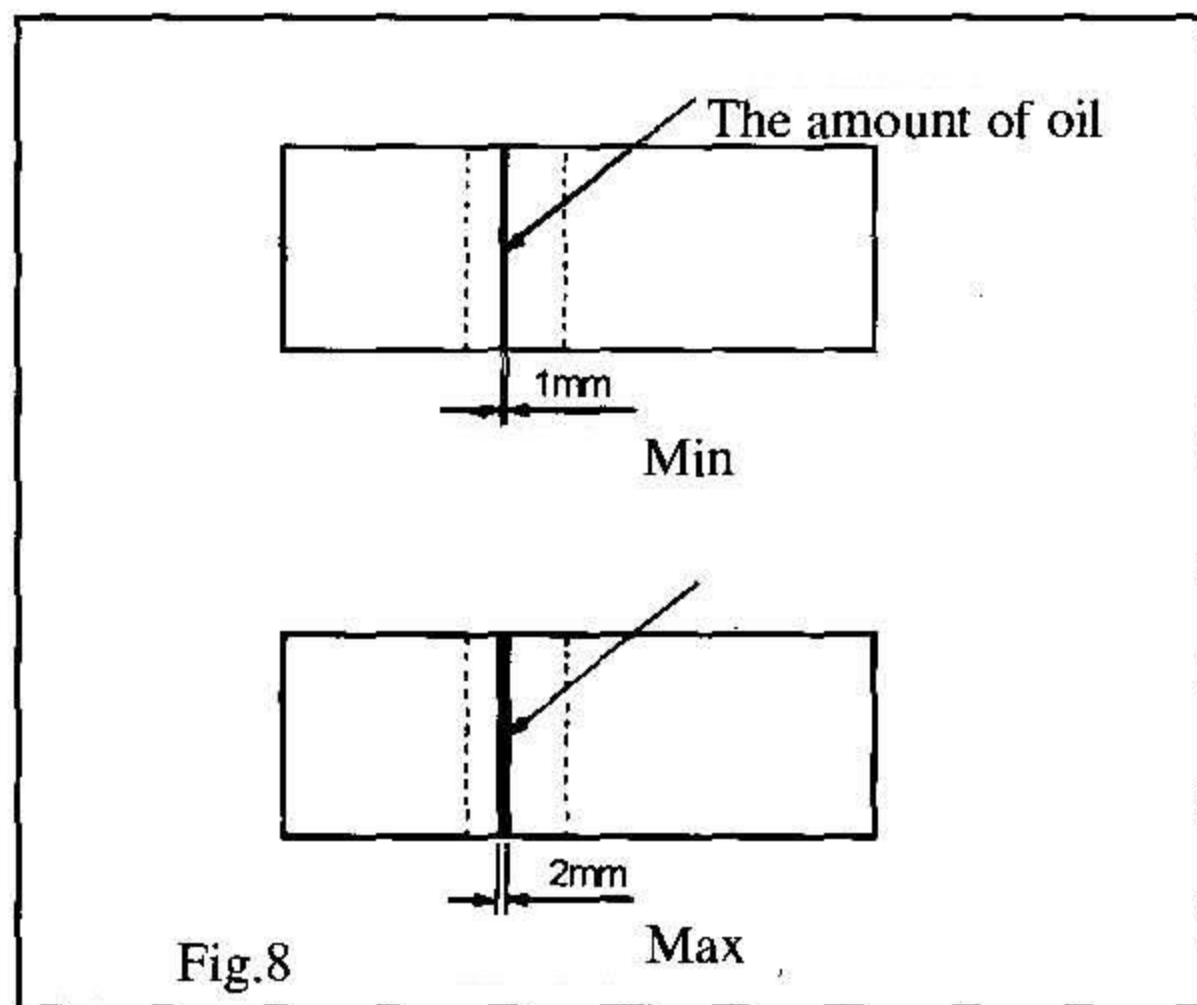
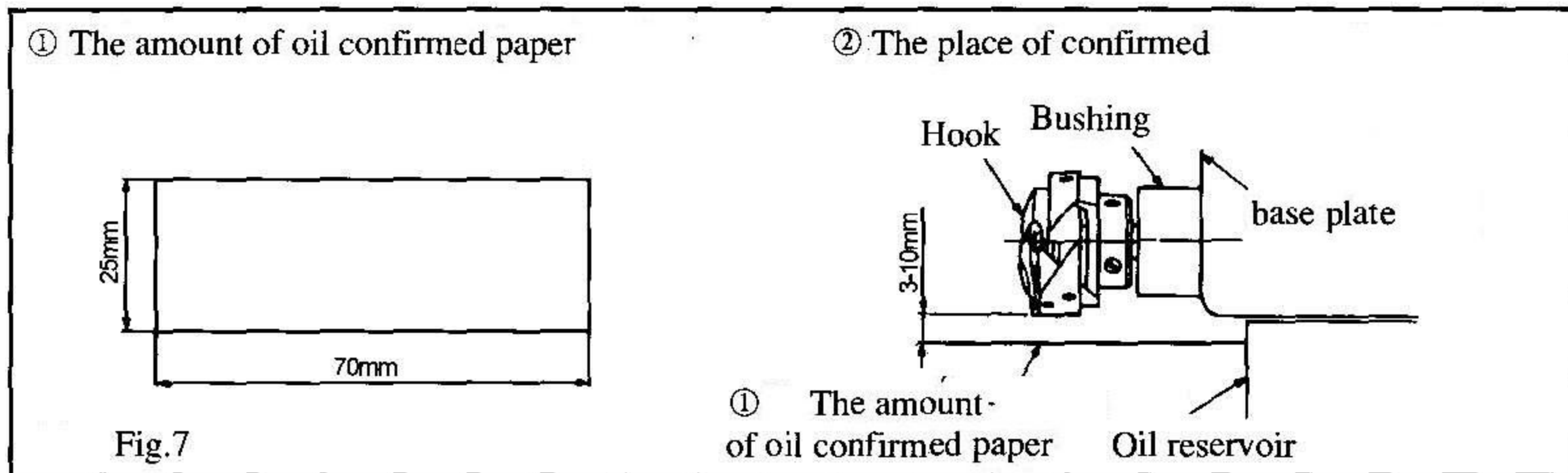
- 1) After cooling, the machine may be idling for three minutes (operating continued properly). (Fig 7)
- 2) The amount of oil confirmed paper must be inserted in the state when the machine is operating.
- 3) Oil in the oil pan is confirmed within HI and LOW.
- 4) The amount of oil confirmed is for five seconds (please use the clock with the second)

*The proper amount of oil manual (Fig 8)

- 1) The amount of oil can be adjusted according to the different sewing process but it must be suitable amount.
- * Otherwise the hook will generate heat or the sewing material will be contaminated.**
- 2) Use the amount of confirmed paper for three times to observe the amount of oil. Adjust the screw until the mark on the paper hasn't changed.

***Adjusting the amount of oil supplied to the hook (Fig 9)**

- 1) More oil is supplied as oil amount adjust screw mounted on the hook driving shaft is turned toward + in direction A. As the oil amount adjust screw is turned toward - in direction B, the amount of oil supplied will be decreased.
- 2) After adjusted, the machine must be idling for thirty seconds. It can be confirmed the state of oil supplied.

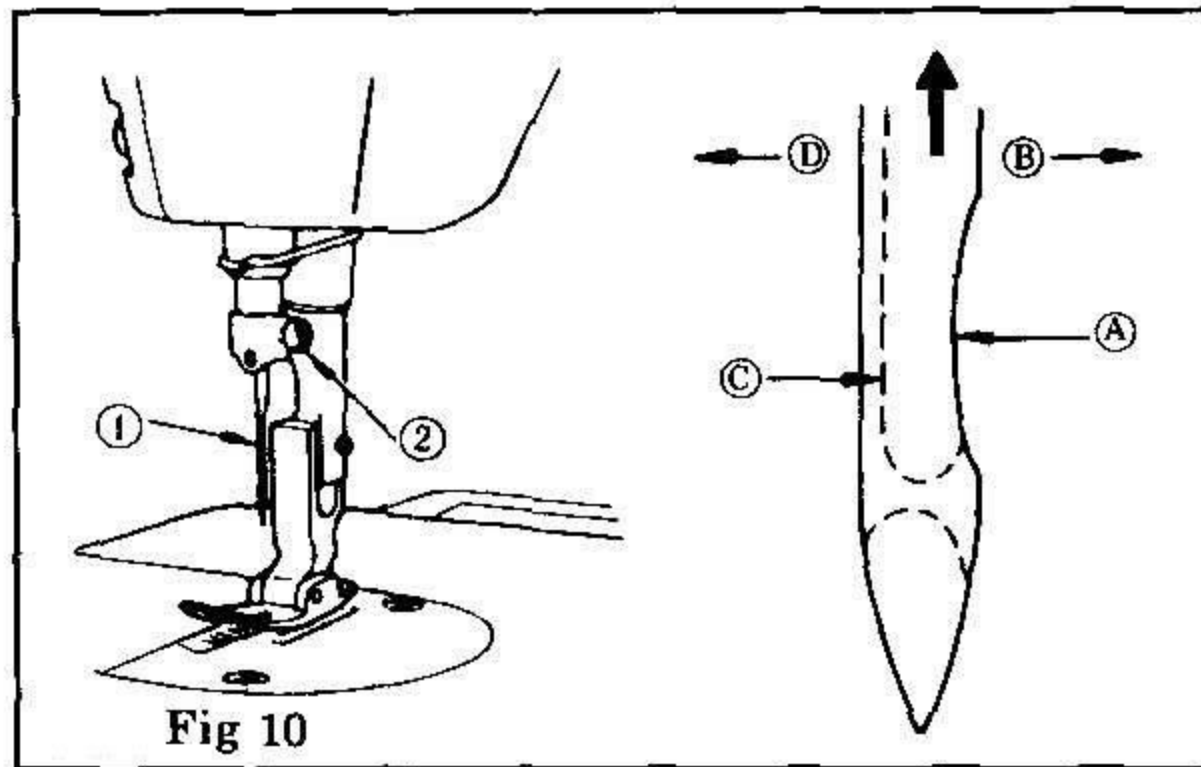


ATTACHING THE NEEDLE (FIG. 10)

***Turn the motor power OFF before starting to attach the needle.**

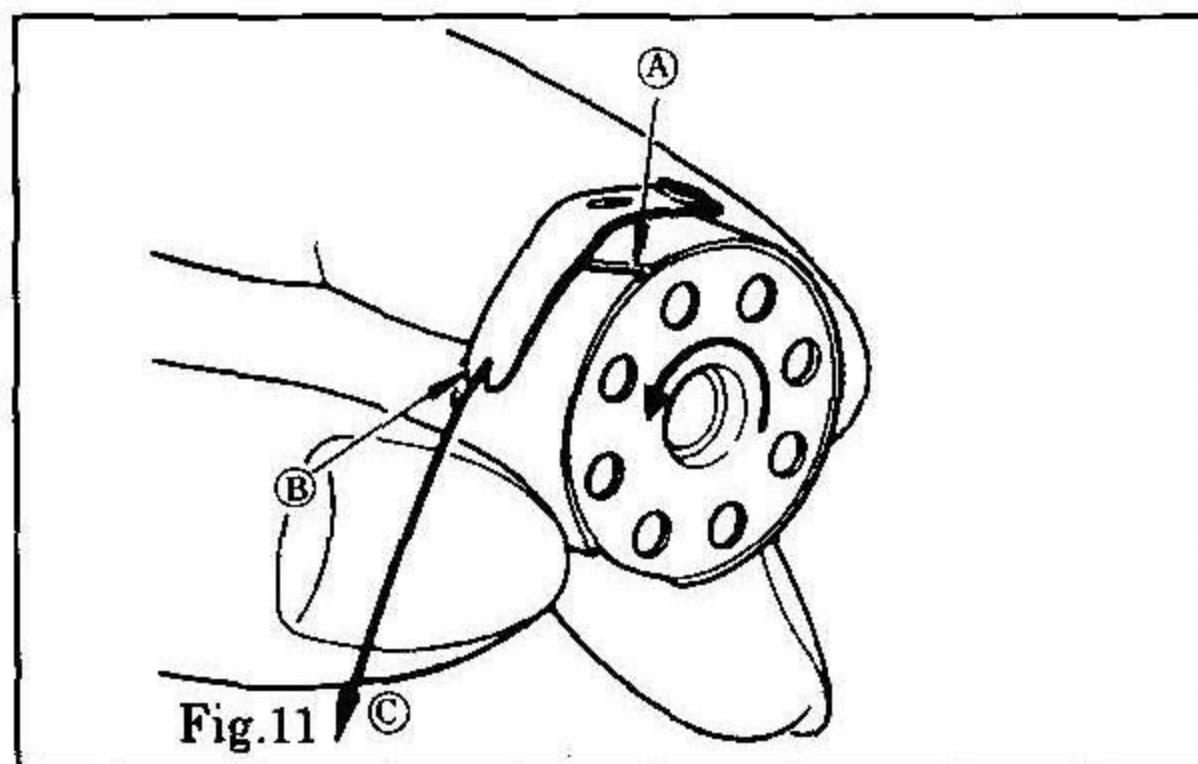
A needle of DB × 1#14 should be used. Select a proper needle size according to the count of thread and the type of material used.

- 1) Turn the handwheel until the needle bar reaches the highest point of its stroke.
- 2) Loosen screw ②, and hold needle ① with its indented part A facing exactly to the right in direction B.
- 3) Insert the needle in the direction of the arrow until it will go no further.
- 4) Securely tighten screw ②.
- 5) Check that long groove C of the needle is facing exactly to the left in direction D.

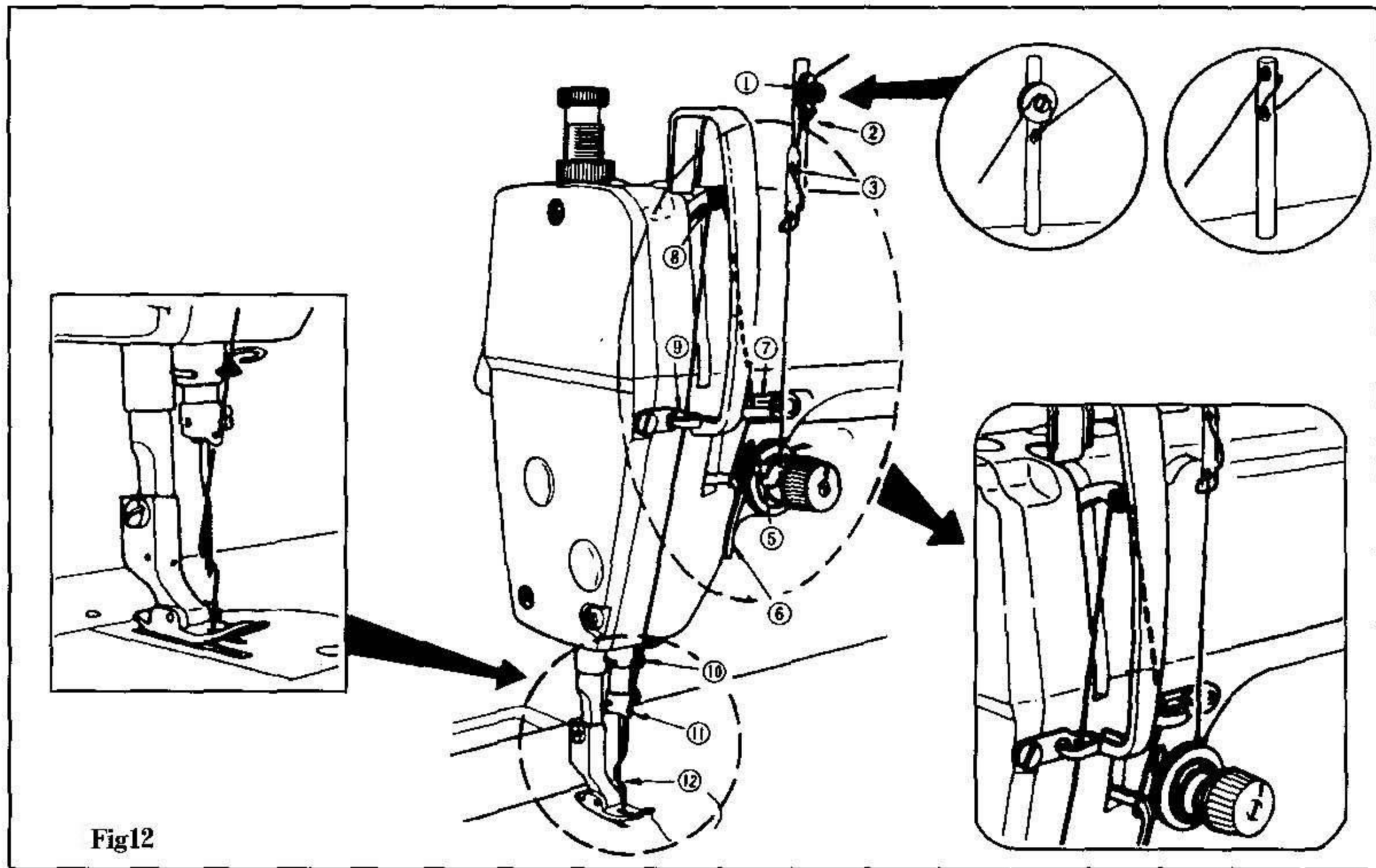


SET THE BOBBIN INTO THE BOBBIN CASE (FIG. 11)

- 1) Hold the bobbin in a way that the thread open end is directed to the left as observed from you, and set the bobbin into the bobbin case.
- 2) Pass the thread through thread slit A, and pull the thread in direction B. By so doing, the thread will pass under the tension spring and come out from notch B.
- 3) Check that the bobbin rotates in the direction of the arrow when thread C is pulled.

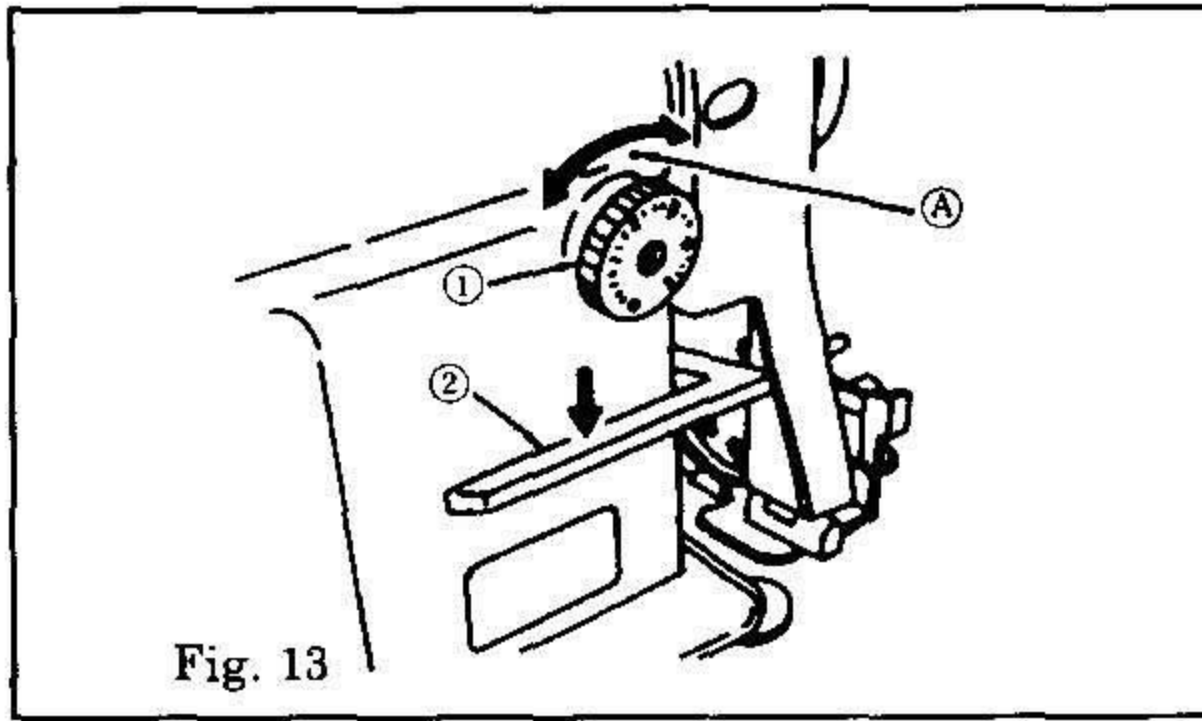


THREADING THE MACHINE (FIG. 12)



ADJUSTING STITCH LENGTH (FIG. 13)

- 1) Turn stitch length dial ① in the direction of the arrow, and align the desired number to marker dot A on the machine arm.
- 2) The dial calibration is in millimeters.
- 3) When you want to decrease the stitch length, turn stitch length dial ① while pressing feed lever ② in the direction of the arrow.



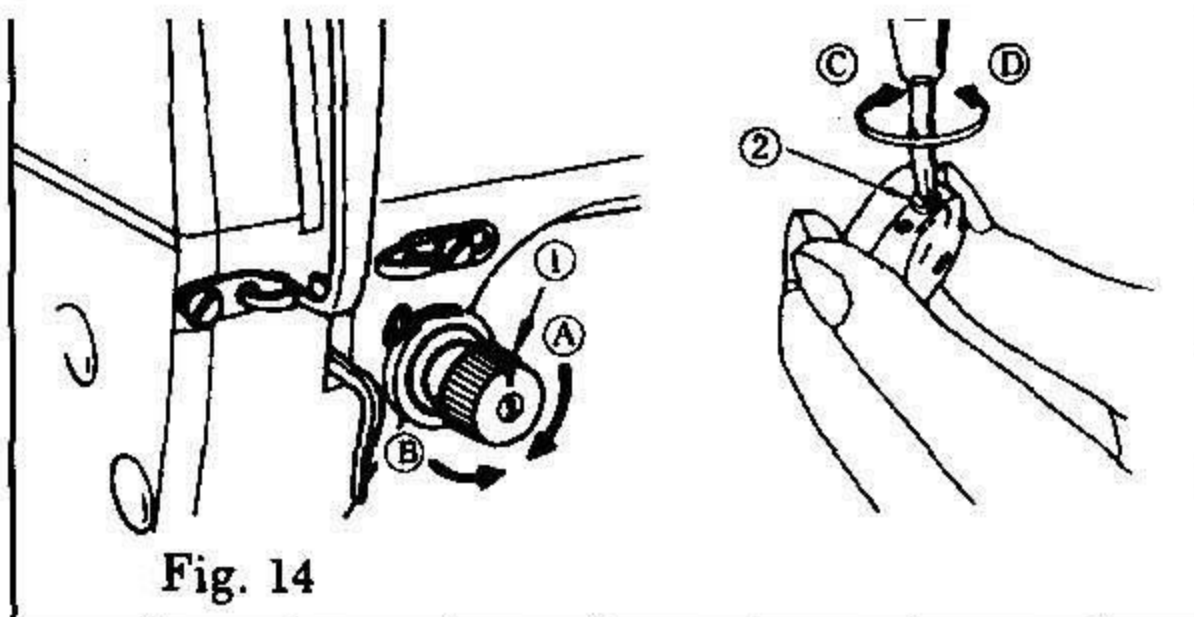
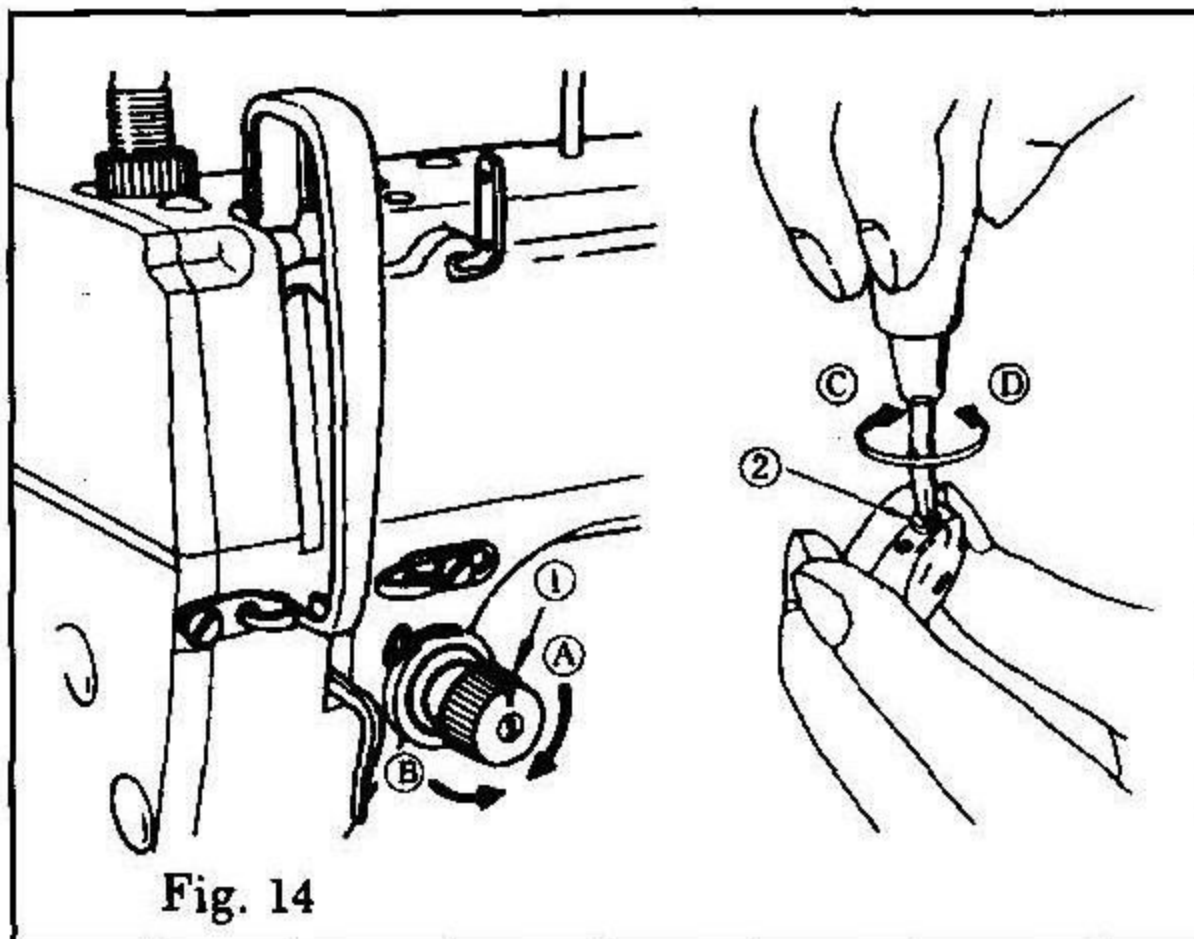
Adjusting the thread tension

1. Adjusting the needle thread tension

- 1) Adjust the needle thread tension using tension adjust nut ① according to the sewing specifications.
- 2) As you turn nut ① clockwise (in direction A), the needle thread tension will increase.
- 3) As you turn nut ① counterclockwise (in direction B), the tension will decrease.

2. Adjusting the bobbin thread tension

- 1) As you turn tension adjust screw ② clockwise (in direction C), the bobbin thread tension will increase.
- 2) As you turn screw ② counterclockwise (in direction D), the bobbin thread tension will decrease.



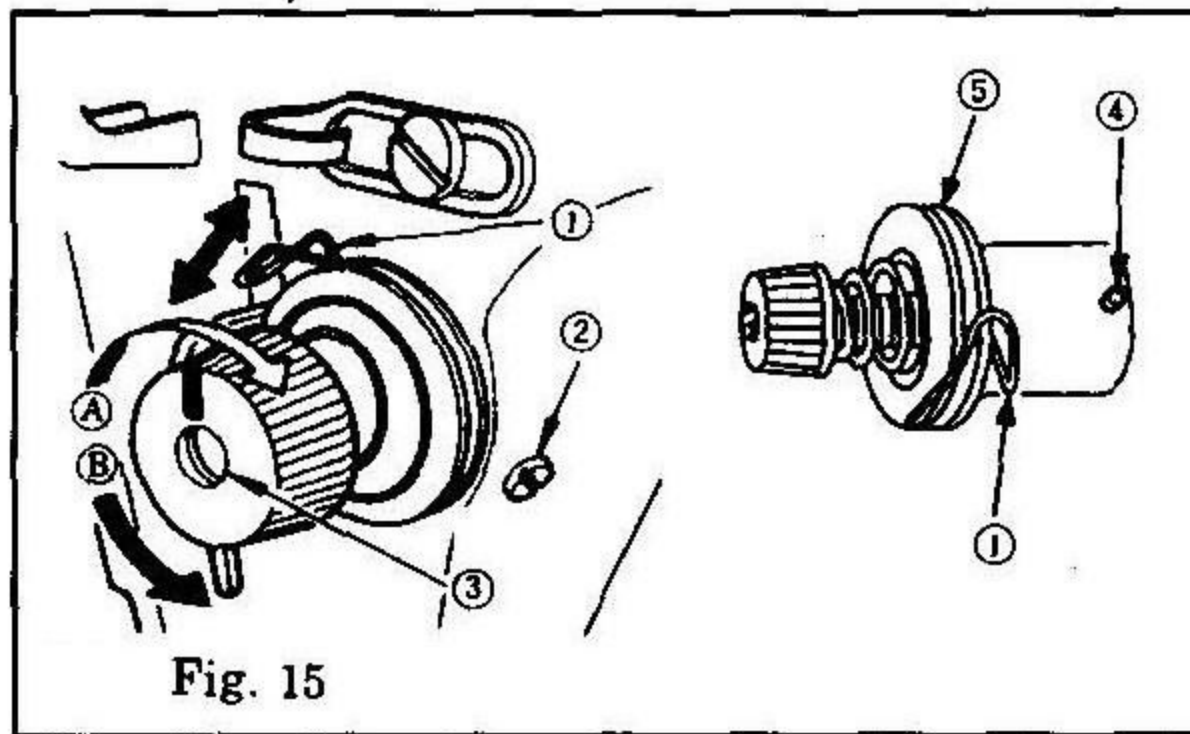
Adjusting of the thread take-up spring

1. Changing the stroke of thread take-up spring ①

- 1) Loosen setscrew ②.
- 2) As you turn tension post ③ clockwise (in direction A), the stroke of the thread take-up spring will be increased.
- 3) As you turn the knob counterclockwise (in direction B), the stroke will be decreased.

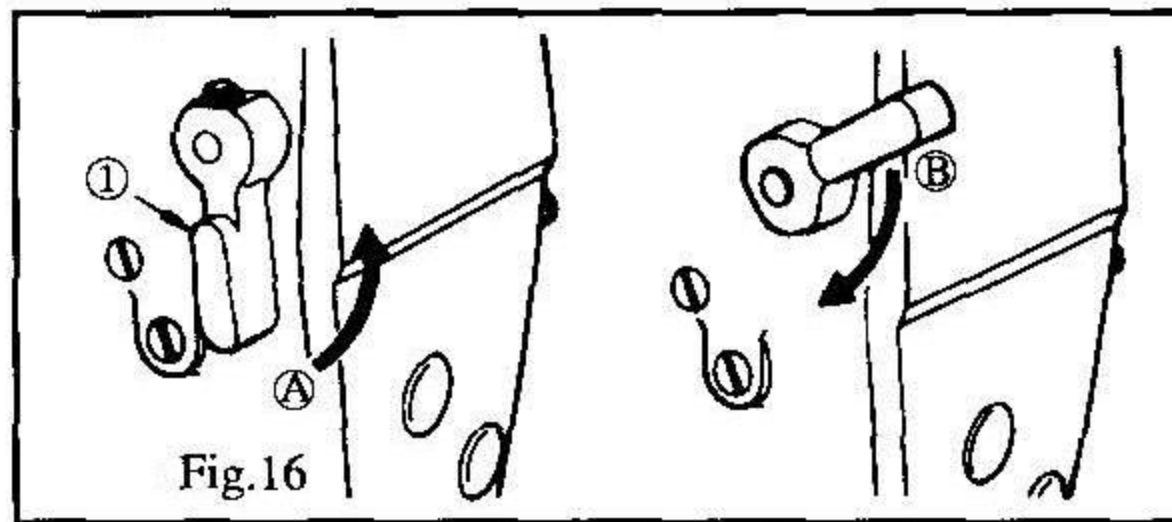
2. Changing the pressure of thread take-up spring ①

- 1) Loosen setscrew ②, and take out tension asm ⑤.
- 2) Loosen setscrew ④, and remove tension post ③.
- 3) As you turn tension post ③ clockwise (in direction A), the pressure will be increased.
- 4) As you turn the post counterclockwise (in direction B), the pressure will be decreased.



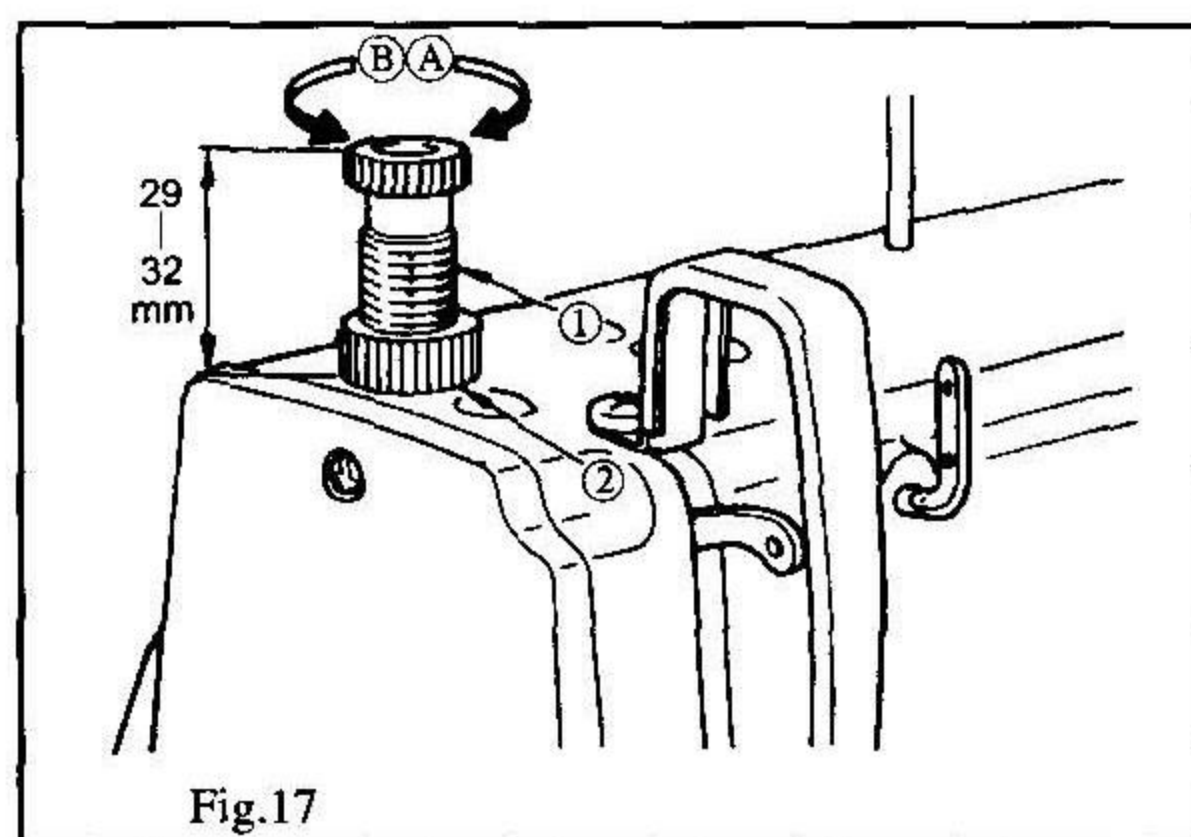
Using presser foot lifter

- 1) To stop the machine with its presserfoot up, turn hand lifter ① in direction A.
- 2) The presser foot will go up about 5.5 mm and stop.
- 3) The presser foot will go back to its original position when hand lifter ① is turned down in direction B.
- 4) Using the knee lifter, you can get the standard presser foot lift of about 10 mm and a maximum lift of about 13 mm.



Adjust the pressure of presser foot

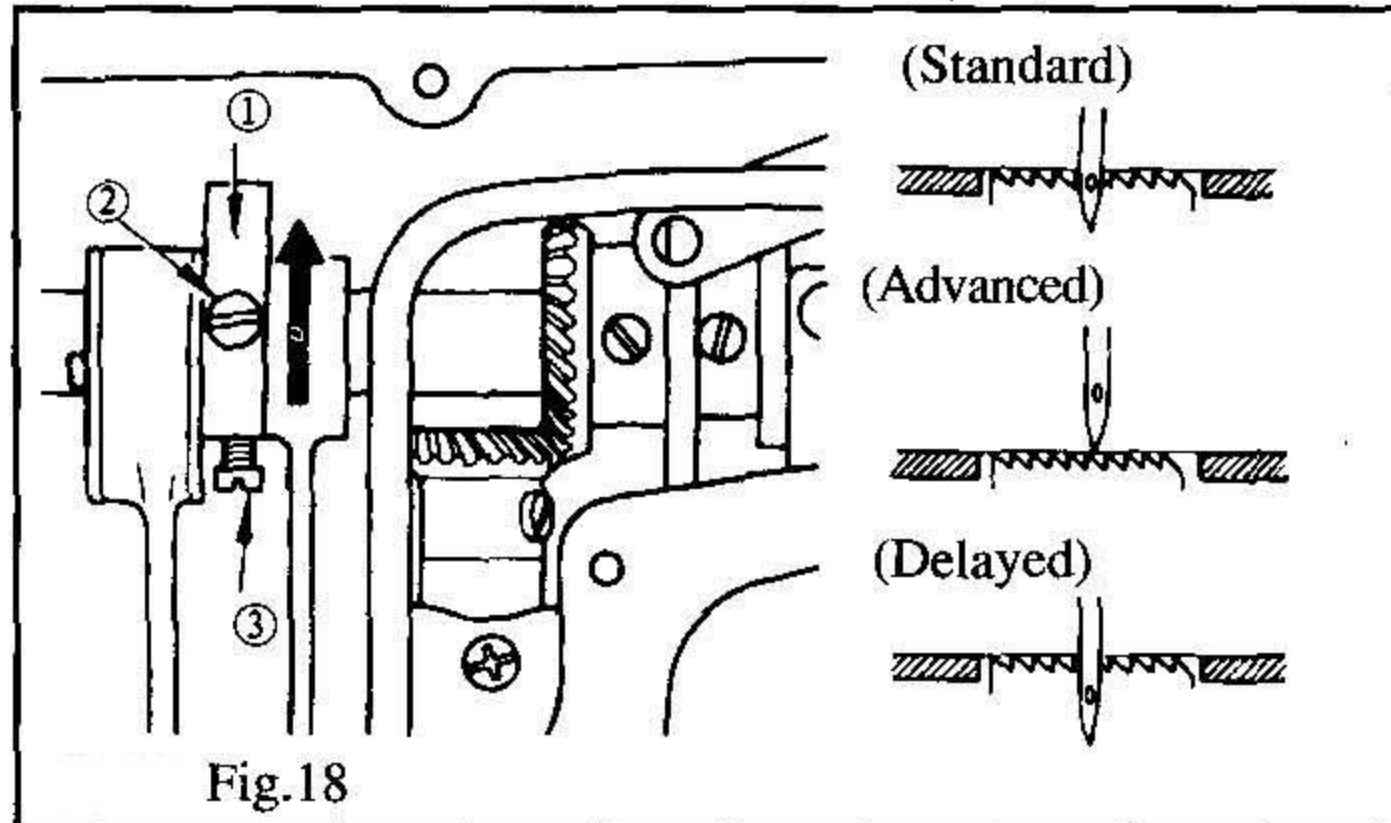
- 1) Loosen nut ②. As you turn presser spring regulator ① clockwise (in direction A), the presser foot pressure will be increased.
- 2) As you turn the presser spring regulator counterclockwise (in direction B), the pressure will be decreased.
- 3) After adjustment, tighten nut ②.
- 4) For general fabrics, the standard height of the presser spring regulator is 29 to 32 mm (5kg). (For the model Heavy it is 7kg)



Time feed motion to needle motion

- 1) Loosen two setscrews ② and ③ on feed eccentric cam ①, properly position the eccentric cam. Then retighten the setscrews.
- 2) To obtain the standard feed timing, when the feed dog is dropping from throat plate, align the top of the feed dog with the top of the hole on the needle and the top of the throat plate.
- 3) To advance the feed timing in order to prevent uneven material feed, move the feed eccentric cam in the direction of the arrow.
- 4) To delay the feed timing in order to increase stitch tightness, move the feed eccentric cam in the opposite direction from the arrow.

***If moving the feed eccentric cam to far, the needle will be break.**



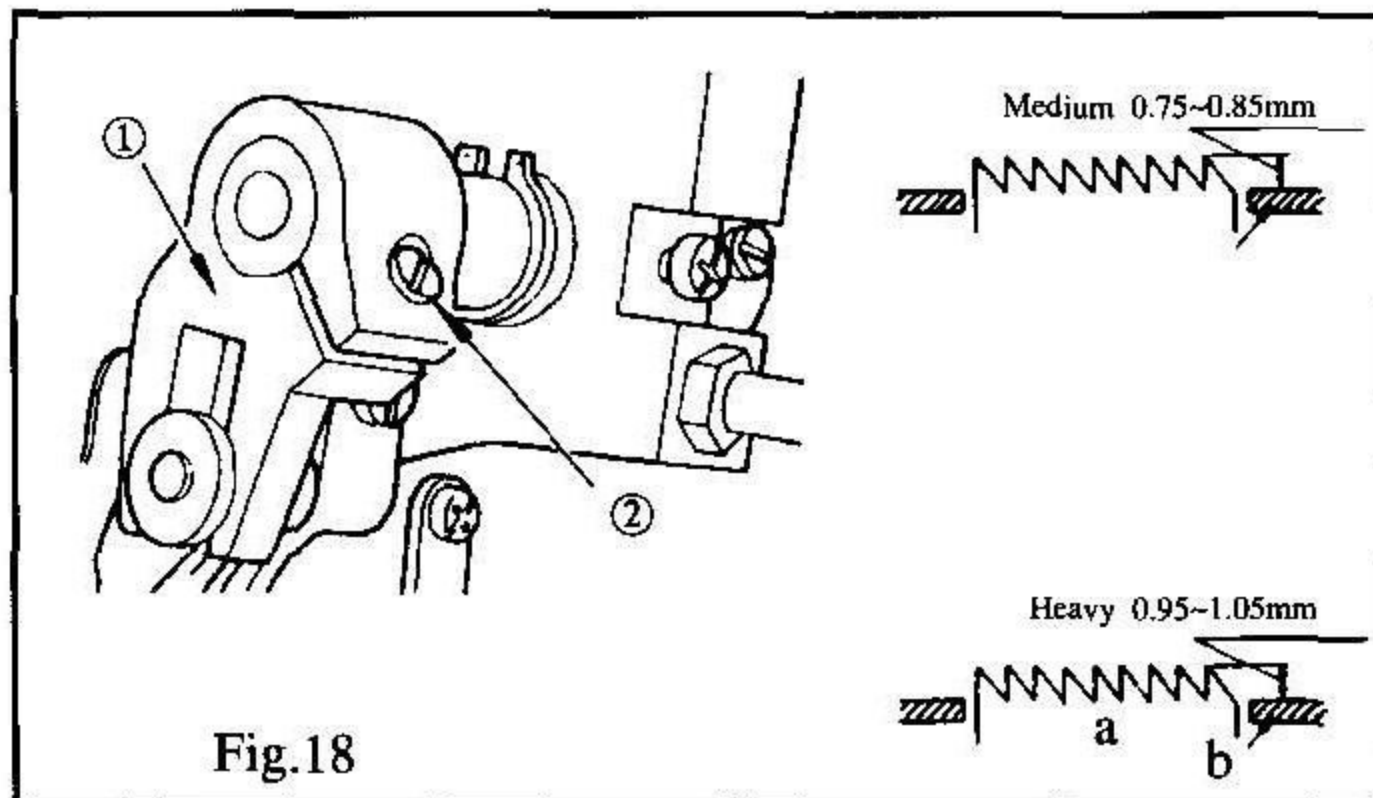
Adjust the height of feed dog

- 1) The feed dog is factory - adjusted so that it just out from the throat plate surface 0.8 mm to 0.9 mm. For the Heavy, 0.95 mm to 1.05 mm.
- 2) If the feed dog juts out too much, puckering may result when sewing light-weight materials. (Recommended protrusion: 0.7 mm to 0.8 mm)
- 3) To adjust the height of the feed dog:
 - (1) Loosen screw ② of crank ①.
 - (2) Move the feed bar up or down to make adjustment.
 - (3) Securely tighten screw ②.

* Precaution

If the screw is tighten too securely, the crank will be abraded.

a. Feed dog b. Throat plate



Adjust the timing between the needle and the hook

1. Adjust the timing between the needle and the hook as follows:

- 1) Turn the handwheel to bring the needle bar down to the lowest point of its stroke, and loosen setscrew ①.

* Adjusting the needle bar height

- 2) When using the needle of DBX1, align marker line A on needle bar ② with the bottom end of needle bar lower bushing ③, then tighten setscrew ①.

When using the needle of DAX1, align marker line B with it, then tighten setscrew ①.

* Adjusting position of the hook

- 3) When using the needle of DBX1 loosen the three hook setscrews, turn the handwheel, and align marker line B on the needle bar ② with the bottom end of needle bar lower bushing ③.

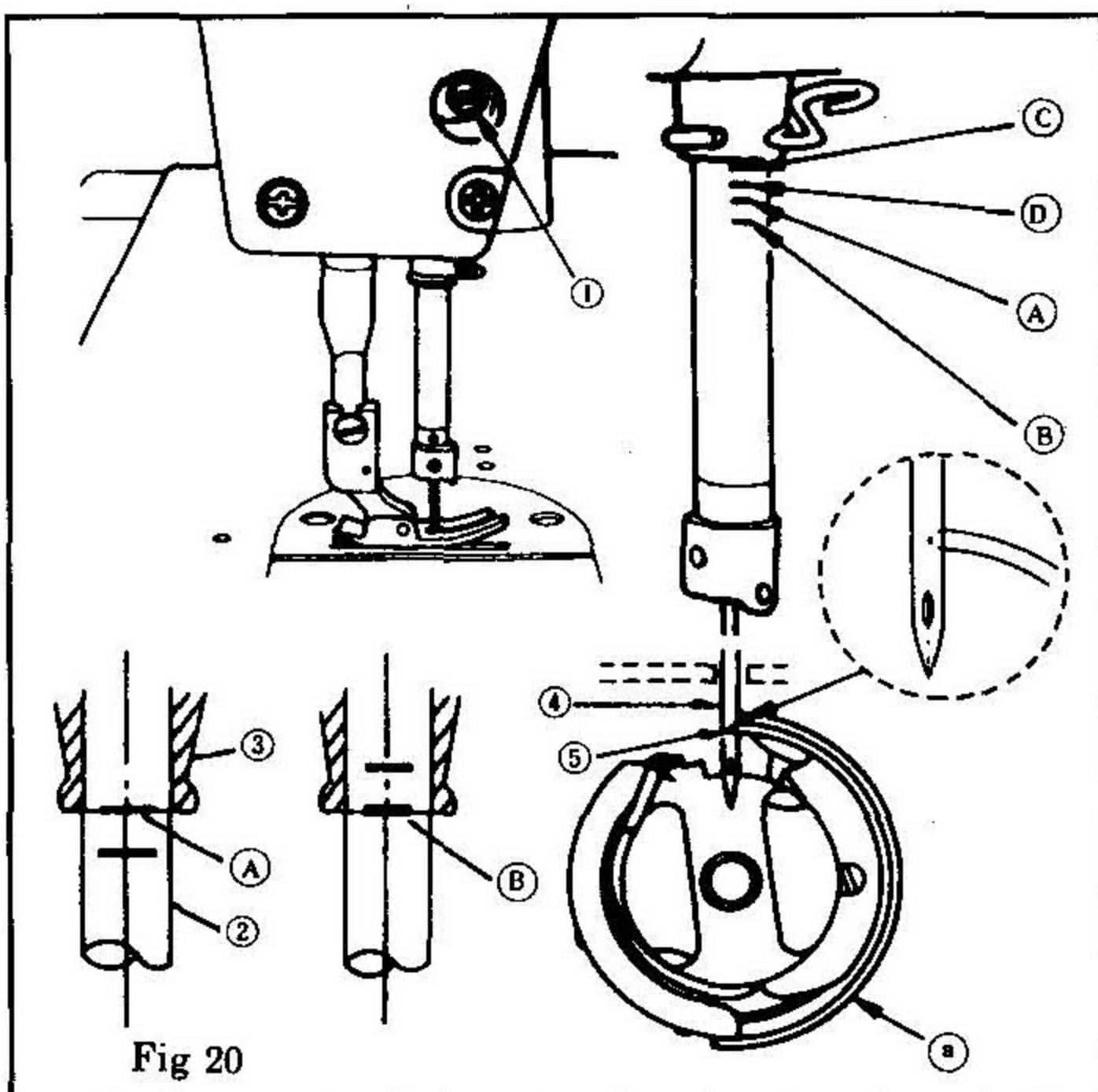
When using the needle of DAX1, align marker line D with the bottom end of needle bar lower bushing ③.

- 4) After making the adjustments mentioned in the above steps align hook blade point ⑤ with the center of needle ④. Provide a clearance of 0.04 mm to 0.1 mm between the needle and the hook, then securely, tighten the hook setscrews.

* Precaution

If the clearance is too small, the tip of the hook will be abraded. If it is too big, it will lead to skip over.

* Note that the type of hook to be substituted for, when replacing the hook, shall be in conformity with the very type of the hook installed in the sewing machine of original assemblage.



To adjust pressure bar height

- 1) Loosen setscrew ①, and adjust the presser bar height and the angle of the presser foot.
- 2) After adjustment, securely tighten the setscrew.

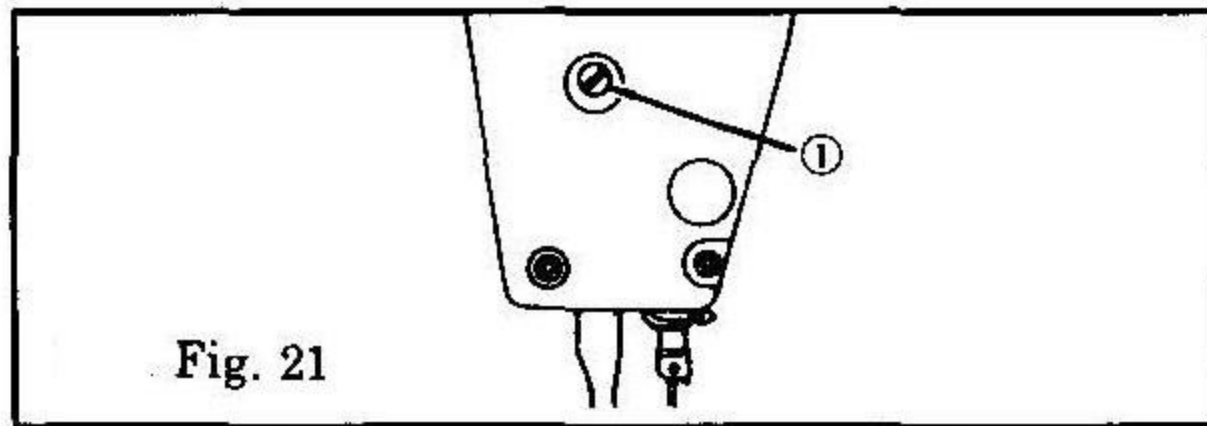
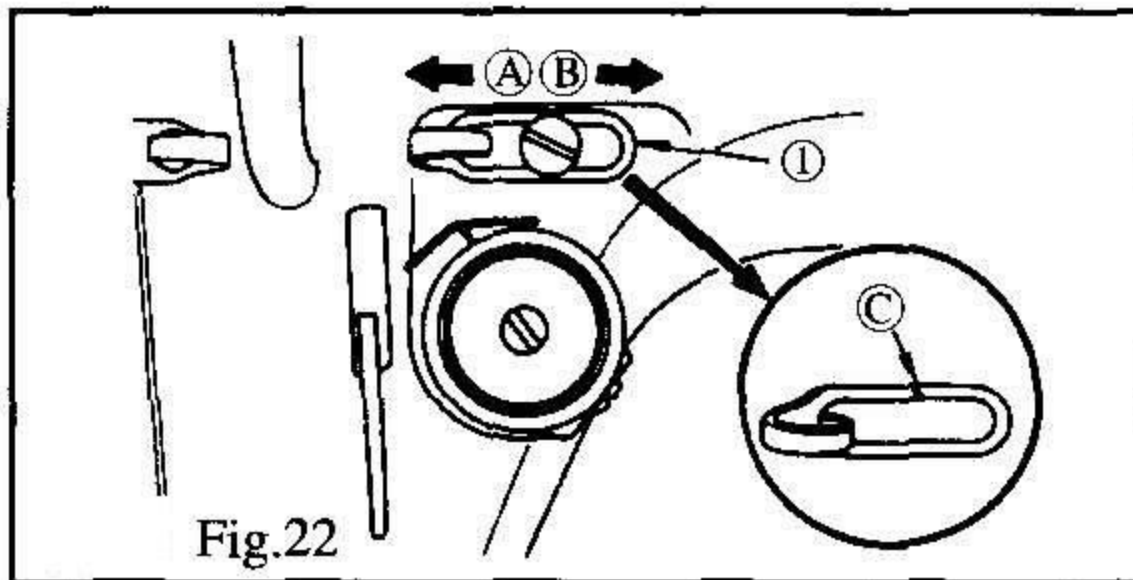


Fig. 21

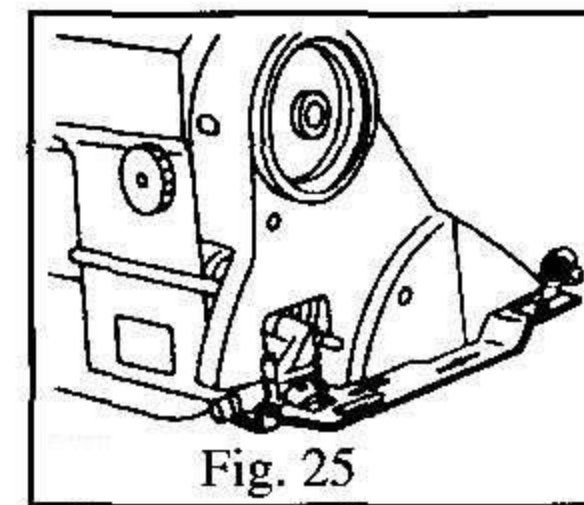
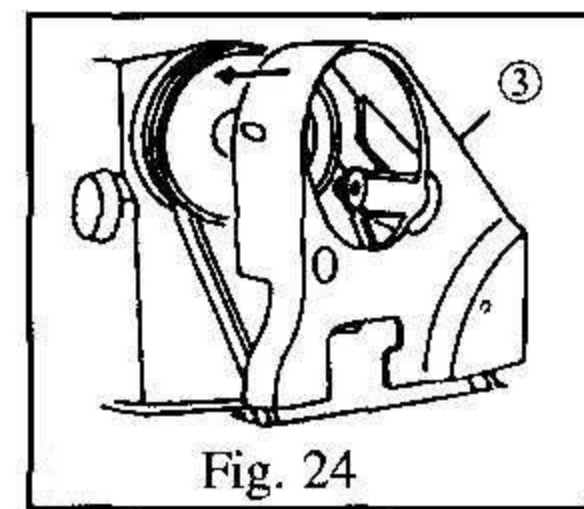
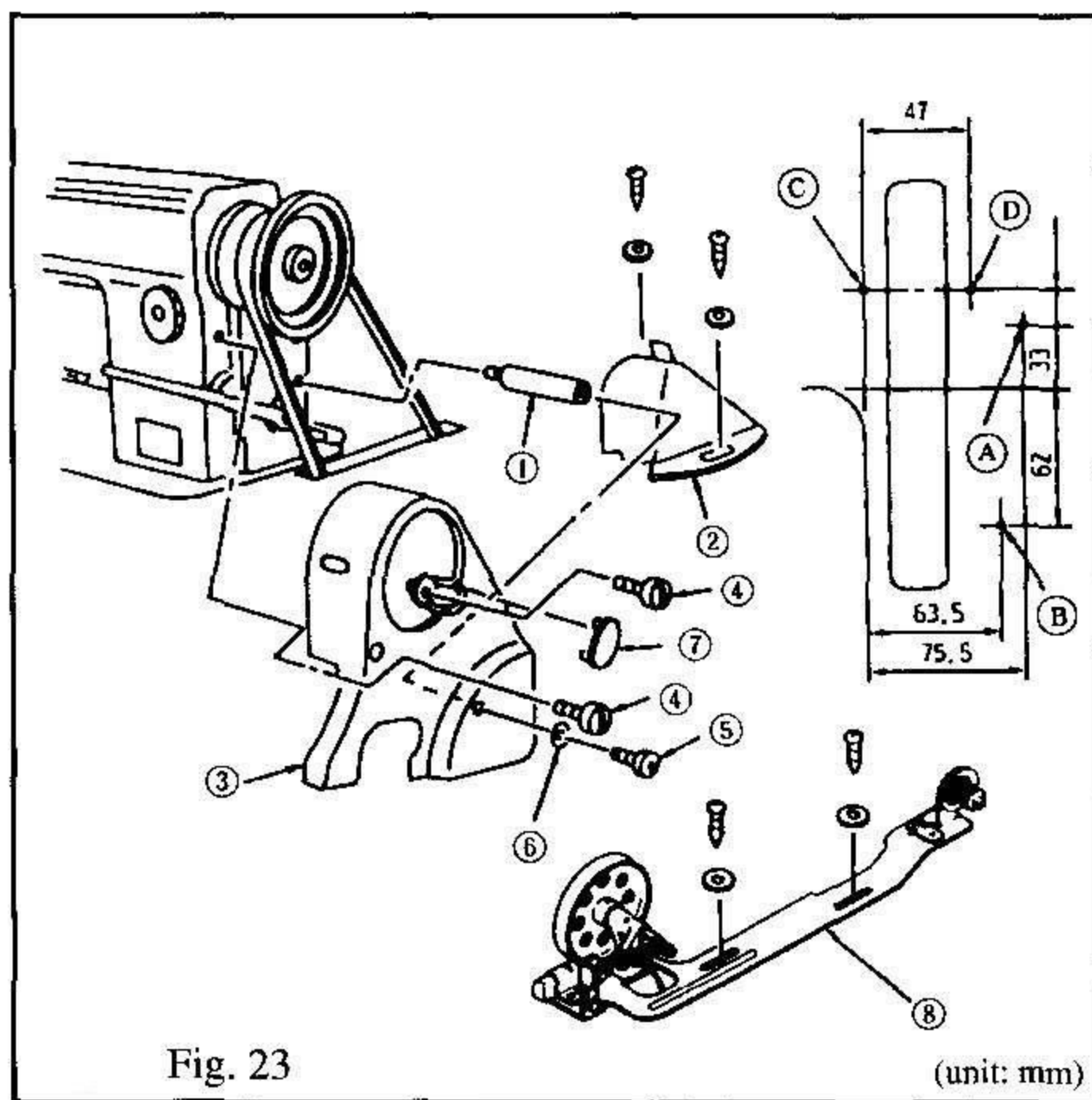
Adjusting the thread guide

- 1) When sewing heavy-weight materials, move thread guide ① to the left in direction A to increase the length of thread pulled out by the thread take-up.
- 2) When sewing light-weight materials, move thread guide ① to the right in direction B to decrease the length of thread pulled out by the thread take-up.
- 3) When the marker line C on the thread guide ① is aligned with the center of the screw, it is standard.



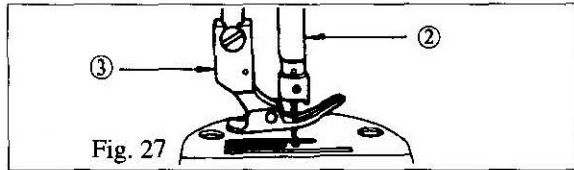
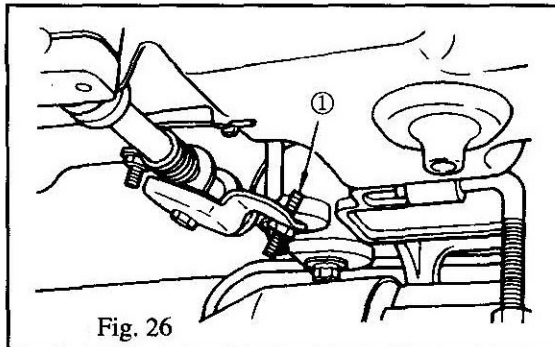
Installing procedure

- 1) Drill four wooden screw guide holes A, B, C and D in the machine table.
- 2) Insert support ① in the tapped hole in the arm .
- 3) Install the front belt cover ③, get the hand wheel in the middle of the hole.
- 4) Install the back belt cover ② at C and D.
- 5) Using the screws ④, ⑤ and washer ⑥ fix the front belt cover ③ on the support the tightening torque for the screw ④ is about 30 kgfcm, for the screw ⑤ is about 25 kgfcm.
- 6) Fix the cover ⑦.
- 7) Move the back belt cover ② backward until its rubber touches the front belt cover ③, then move further more 0.5-1 mm, fix it using the wooden screws and washers.
- 8) Fix bobbin winder ⑧ at A and B using the wooden screws.



Adjusting the height of the knee lifter

- 1) The standard height of the presser foot lifted using the knee lifter is 10 mm.
- 2) You can adjust the presser foot lift up to 13 mm using knee lifter adjust screw ①.
- 3) When you have adjusted the presser foot lift to over 10 mm, be sure that bottom end of needle bar ② in its lowest position does not hit presser foot ③.



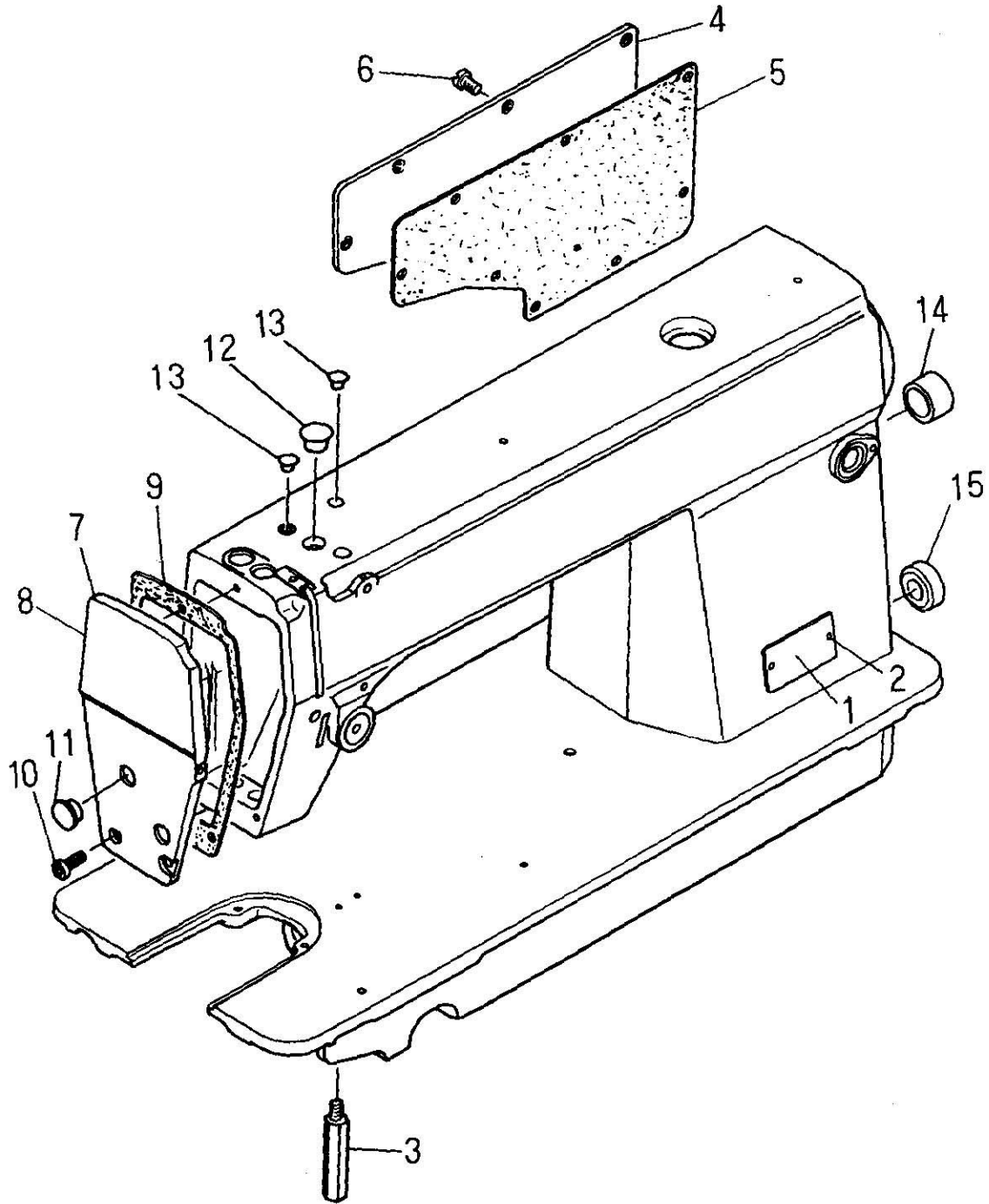
	Model	Model	Model
Application	For medium-weight materials	For heavy-weight materials	For heavy-weight big hook
Sewing speed	Max. 5,500 s.p.m.	Max. 3,500 s.p.m.	Max. 3,000 s.p.m.
Stitch length	Max. 5mm	Max. 5mm	Max. 7mm
Presser foot lift (by knee lifter)	10mm(standara) 13mm(max.)		
Needle	DB × 1 #9~#18	DB × 1 #18~#22	DB × 1 #18~#23
Lubricating oil	10 white oil		

Parts Book

For Medium Heavy Materials

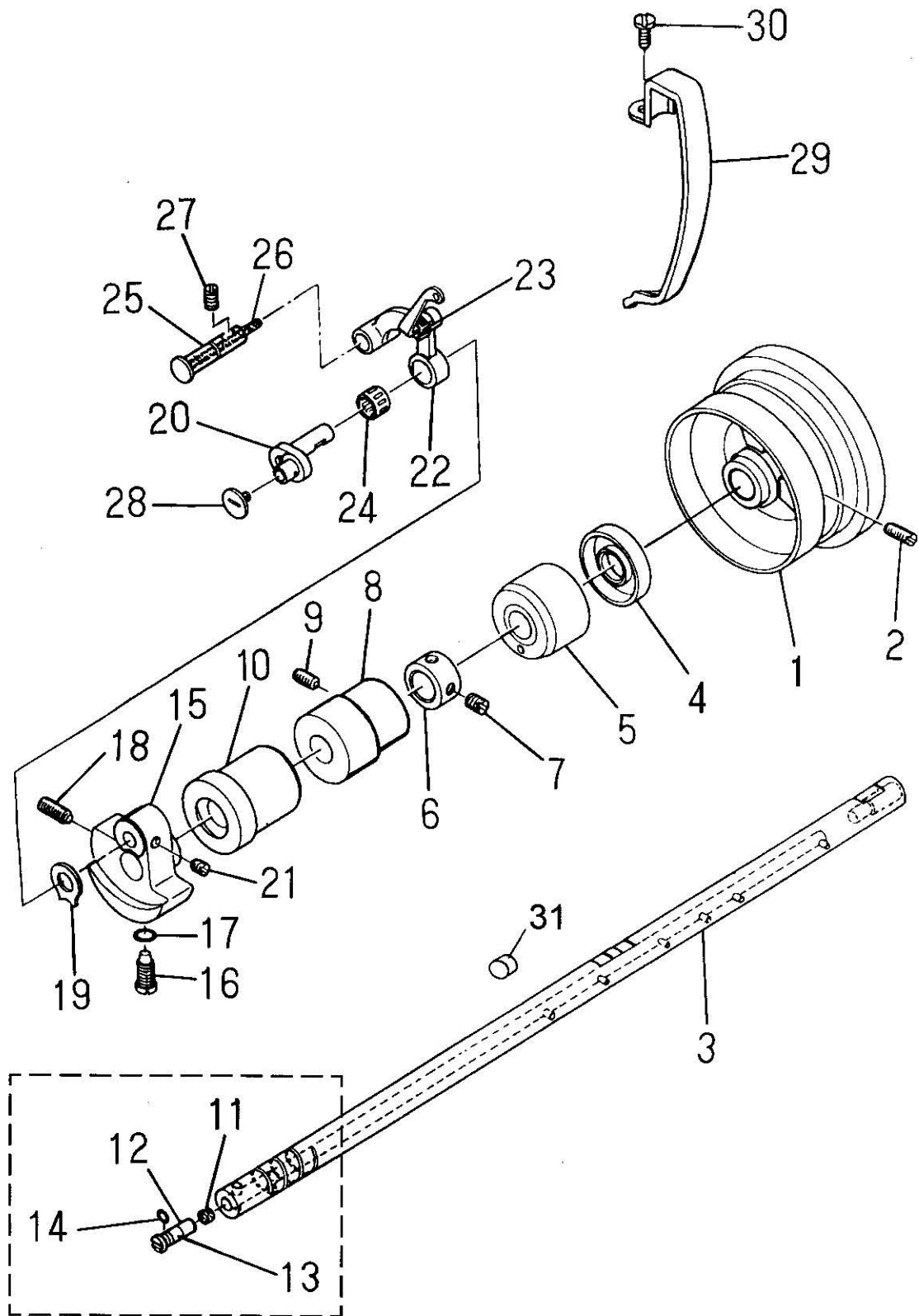
1.Arm bed components

Ref.No.	Part No.	Description	Amt.
1	GQ276	Model plate.....	1
2	GX565	Model plate rivet.....	2
3	GS0548	Bed screw stud.....	4
4	GK239	Side plate.....	1
5	GR3340	Gasket.....	1
6	GS053	Screw 12/64-28 L=9.....	8
7	GR3342	Face plate arm.....	1
8	GQ277	Decorative plate.....	1
9	GR3343	Gasket.....	1
10	GS053	Screw 12/64-28 L=9.....	3
11	GR1458	Rubber plug.....	2
12	GR1463	Rubber plug.....	1
13	GR3344	Rubber plug.....	2
14	GR3345	Rubber plug.....	1
15	GR1464	Rubber plug.....	1



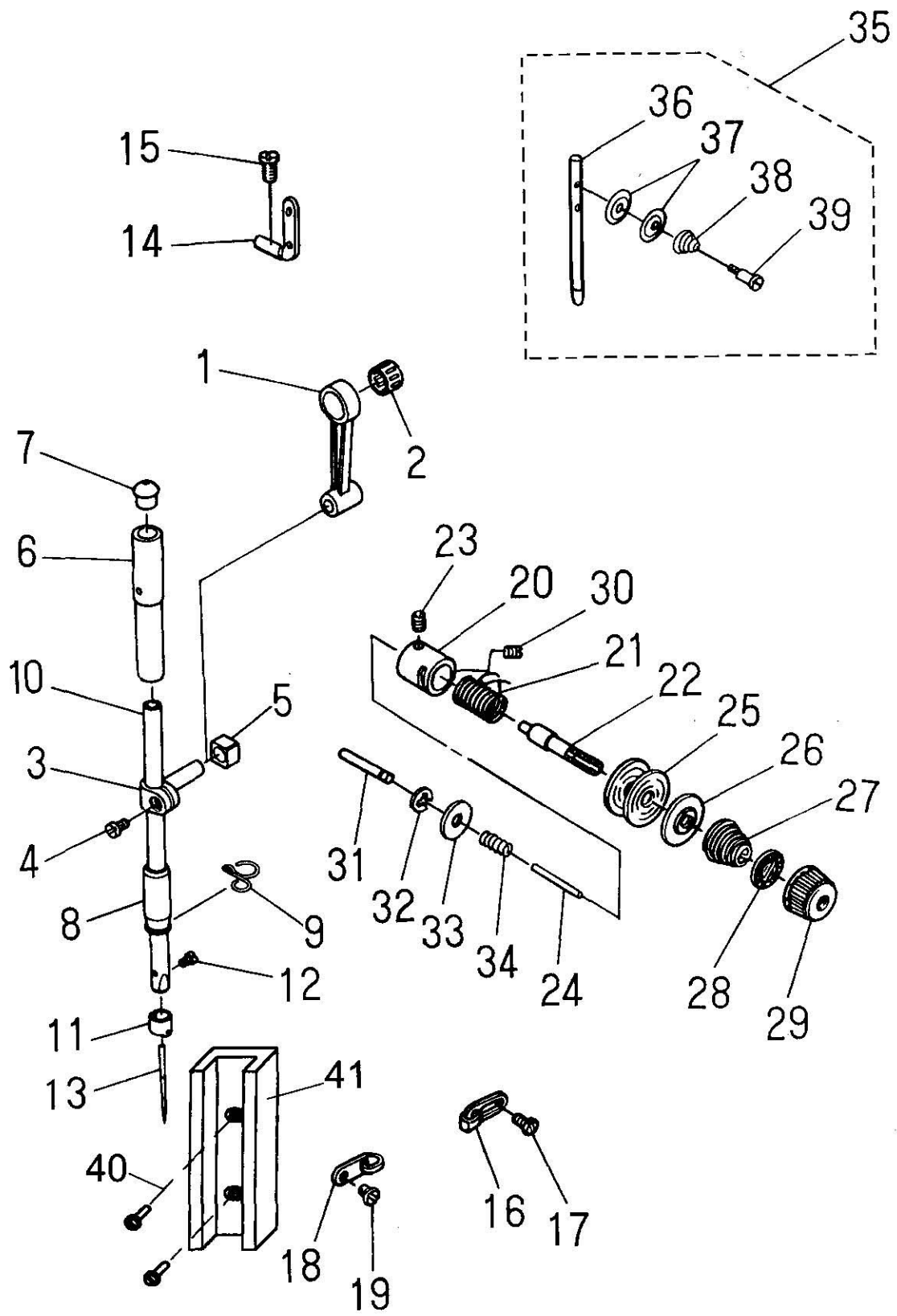
2.Main shaft & thread take-up components

Ref.No.	Part No.	Description	Amt.
1	GP166	Hand wheel.....	1
2	GS03	Screw 15/64-28 L=15.....	2
3	GZ431	Main shaft.....	1
4	GR3346	Main shaft.....	1
5	GO462	Main shaft bushing, rear.....	1
6	GR1469	Thrust collar asm.....	1
7	GS39	Screw 1/4-40 L=6.....	2
8	GO463	Bushing,intermediate.....	1
9	GS0549	Screw.....	1
10	GO464	Main shaft bushing, front.....	1
11	GR1470	Roller felt.....	1
12	GX334	Oil amount adjusting pinasm.....	1
13	GO269	Rubber pushinb.....	1
14	GR1471	Rubber ring.....	1
15	GH561	Counterweight.....	1
16	GS06	Screw 1.4-40 L=6.....	1
17	GR1472	Rubber ring.....	1
18	GS0550	Screw 9/32-28 L=16.....	1
19	GR1473	Counterweight protecting plate.....	1
20	GH402/2	Needle bar crank asm.....	1
21	GS39	Screw 1/4-40 L=6.....	2
22	GH564/4	Thread take-up lever asm.....	1
23	GR3349	Rubber.....	1
24	GO270	Needle bearing.....	1
25	GX566	Thread take-up crank shaft.....	1
26	GR3350	Oiling wick.....	1
27	GS04	Screw 15/64-28 L=10.5.....	1
28	GS09	Screw (left twist)9/64-40 L=4.8....	1
29	GK240	Thread take-up lever cover.....	1
30	GS551	Screw 3/16-28 L=6.....	1
31	GR0231	Rubber plug.....	1



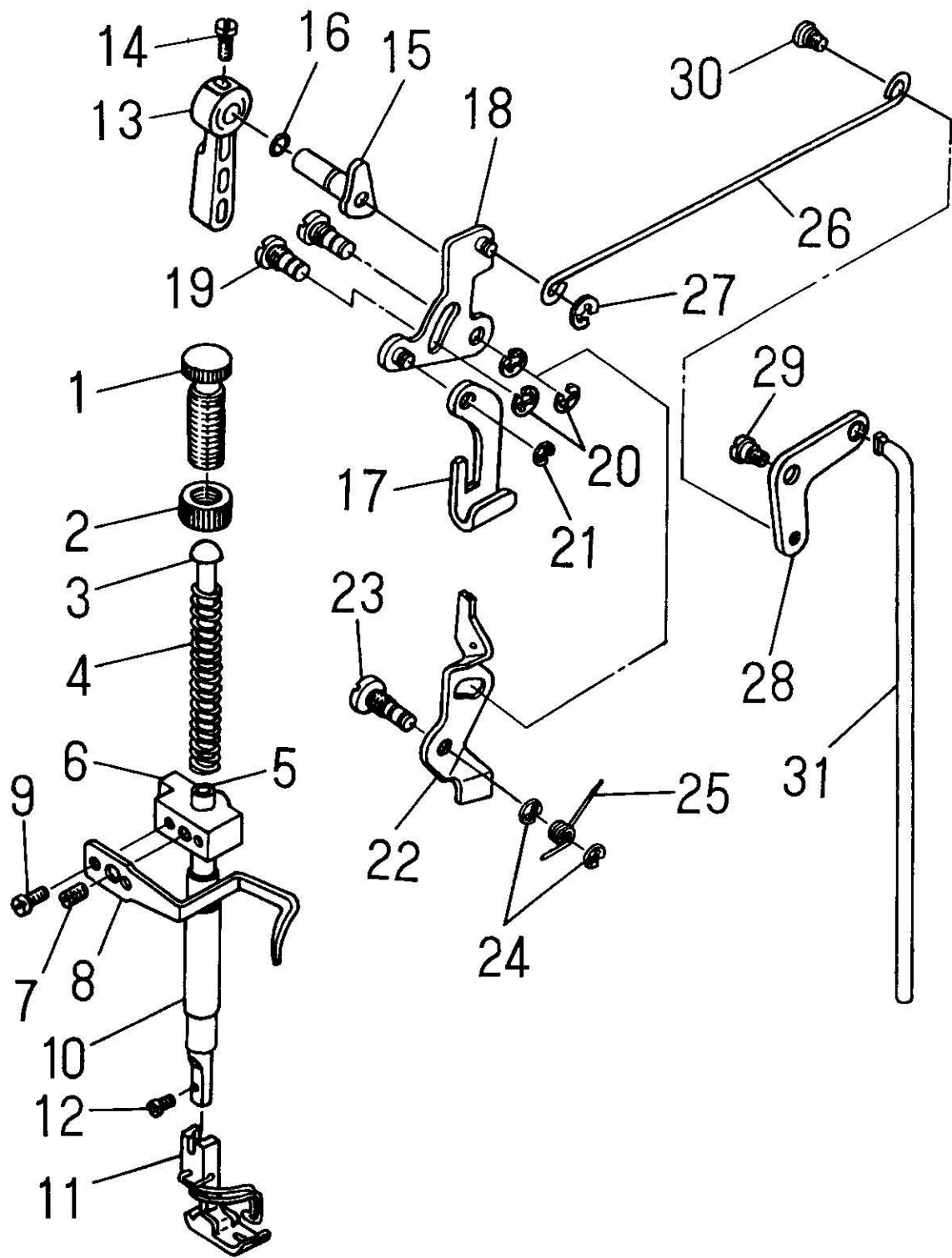
3. Needle bar & thread tension components

Ref.No.	Part No.	Description	Amt.
1	GH334	Needle bar crank rod.....	1
2	GO270	Needle bearing.....	1
3	GR1478	Needle bar connection asm.	1
4	GS011	Screw 9/64-40 L=6.....	1
5	GU168	Slide block.....	1
6	GO271	Needle bar bushing, upper.....	1
7	GR1479	Cap.....	1
8	GO272	Needle bar bushing, lower.....	1
9	GR3351	Needle bar thread guide.....	1
10	GZ432	Needle bar	1
11	GR3352	Needle bar thread guide.....	1
12	GS071	Screw 1/8-44 L=4.5.....	1
13	GV15	Needle (DB × 1 [#] 14).....	1
14	GR3353	Two-hole thread eyelet.....	1
15	GS0551	Screw 3/16-28 L=6.....	1
16	GR3354	Frame thread guide, right.....	1
17	GS0552	Screw 11/64-40 L=6.....	1
18	GR3355	Frame thread guide, left.....	1
19	GS0551	Screw 11/64-40 L=6.....	1
20	GR1487	Tension post socket.....	1
21	GW250	Take-up spring.....	1
22	GS015	Screw.....	1
23	GS016	Set screw 9/64-40 L=5.5.....	1
24	GX567	Thread release pin.....	1
25	GR1488	Tension disc.....	2
26	GR1489	Tension disc holder.....	1
27	GW251	Tension spring.....	1
28	GR1490	Tension disc stopper.....	1
29	GL0113	Tension nut.....	1
30	GS48	Screw 15/64-28 L=7.....	1
31	GX568	Tension release supporting pin.....	1
32	GR1717	Snap ring.....	1
33	GR3357	Washer plate.....	1
34	GW432	Tension release pin spring.....	1
35	GR1491/5	Needle thread guide pin asm.	1
36	GR1492	Needle thread guide pin.....	(1)
37	GR1493	Tension disc.....	(2)
38	GW252	Tension spring.....	(1)
39	GS017	Hinge screw.....	(1)
40	GS0340	Slide block.....	2
41	GR0341	Needle bar trough.....	1



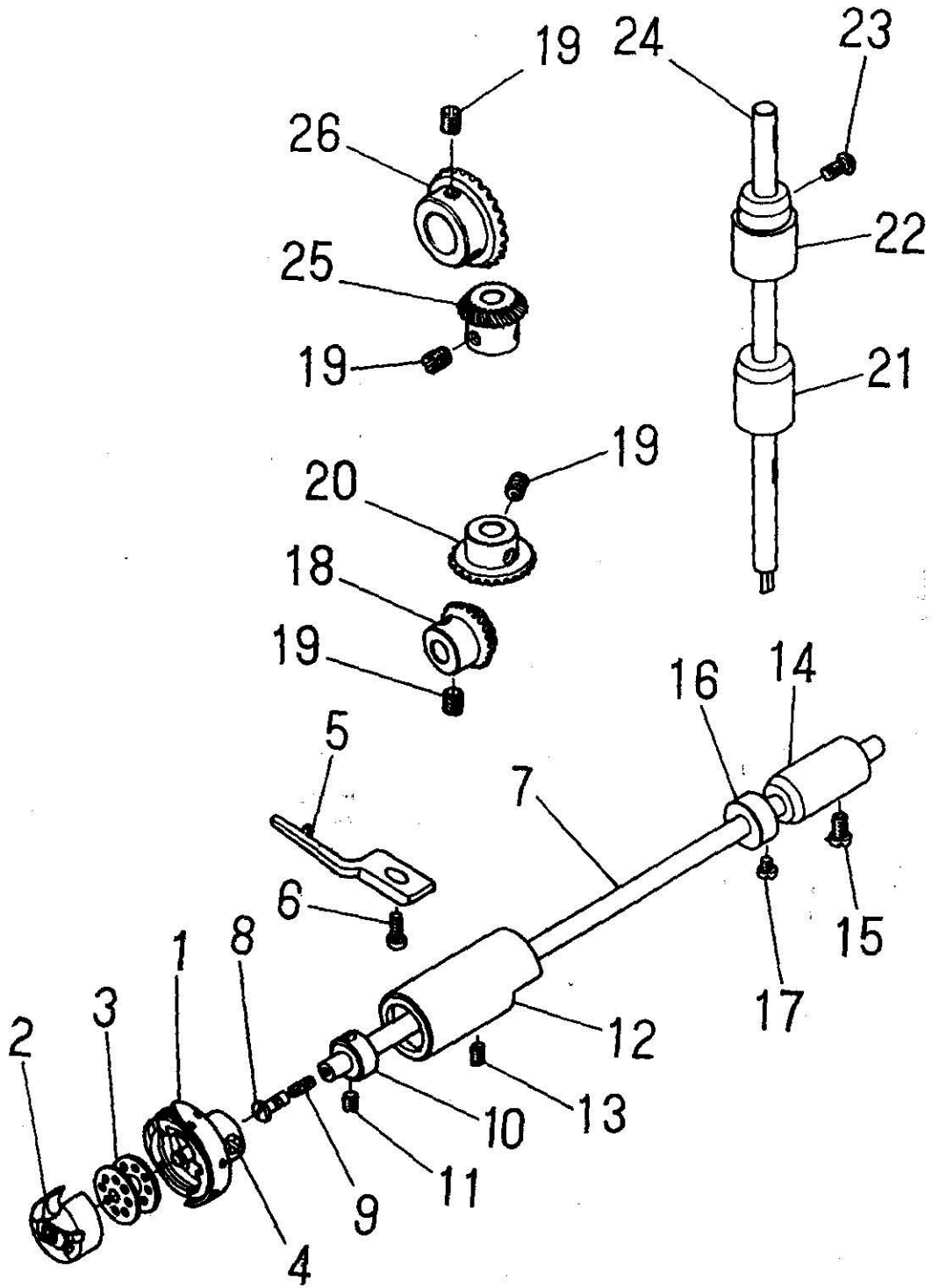
4.Presser bar components

Ref.No.	Part No.	Description	Amt.
1	GS0553	Presser spring regulator.....	1
2	GL0114	Nut.....	1
3	GR1494	Presser guide bar.....	1
4	GW253	Presser spring.....	1
5	GZ275	Presser bar.....	1
6	GR3358	Needle bar guide bracket.....	1
7	GS033	Screw 1/4-40 L=8.....	1
8	GR3359	Presser bar thread guide.....	1
9	GS0100	Screw 9/64-40 L=8.5.....	2
10	GO273	Presser bar bushing lower.....	1
11	GM200/5	Presser foot asm,	1
12	GS020	Screw 9/64-40 L=10.5.....	1
13	GR3360	Hand lifter.....	1
14	GS0554	Screw.....	1
15	GR3361/2	Hand lifter cam asm,	1
16	GR1503	Rubber ring.....	1
17	GR3363	Lifting lever.....	1
18	GR3364/3	Hand lifter link asm,	1
19	GS0555	Link shaft.....	2
20	GR1510	Snap ring.....	3
21	GR3366	Lifting lever ring.....	1
22	GR3367	Tension release plate.....	1
23	GS0556	Tension release shaft.....	1
24	GR1510	Snap ring.....	2
25	GW433	Tension release return spring.....	1
26	GR3368	Lifting lever connecting rod.....	1
27	GR1510	Snap ring.....	1
28	GR3369	Lifting lever link.....	1
29	GS0557	Hinge screw.....	1
30	GS0558	Hinge screw.....	1
31	GR3370	Connecting rod vertical.....	1



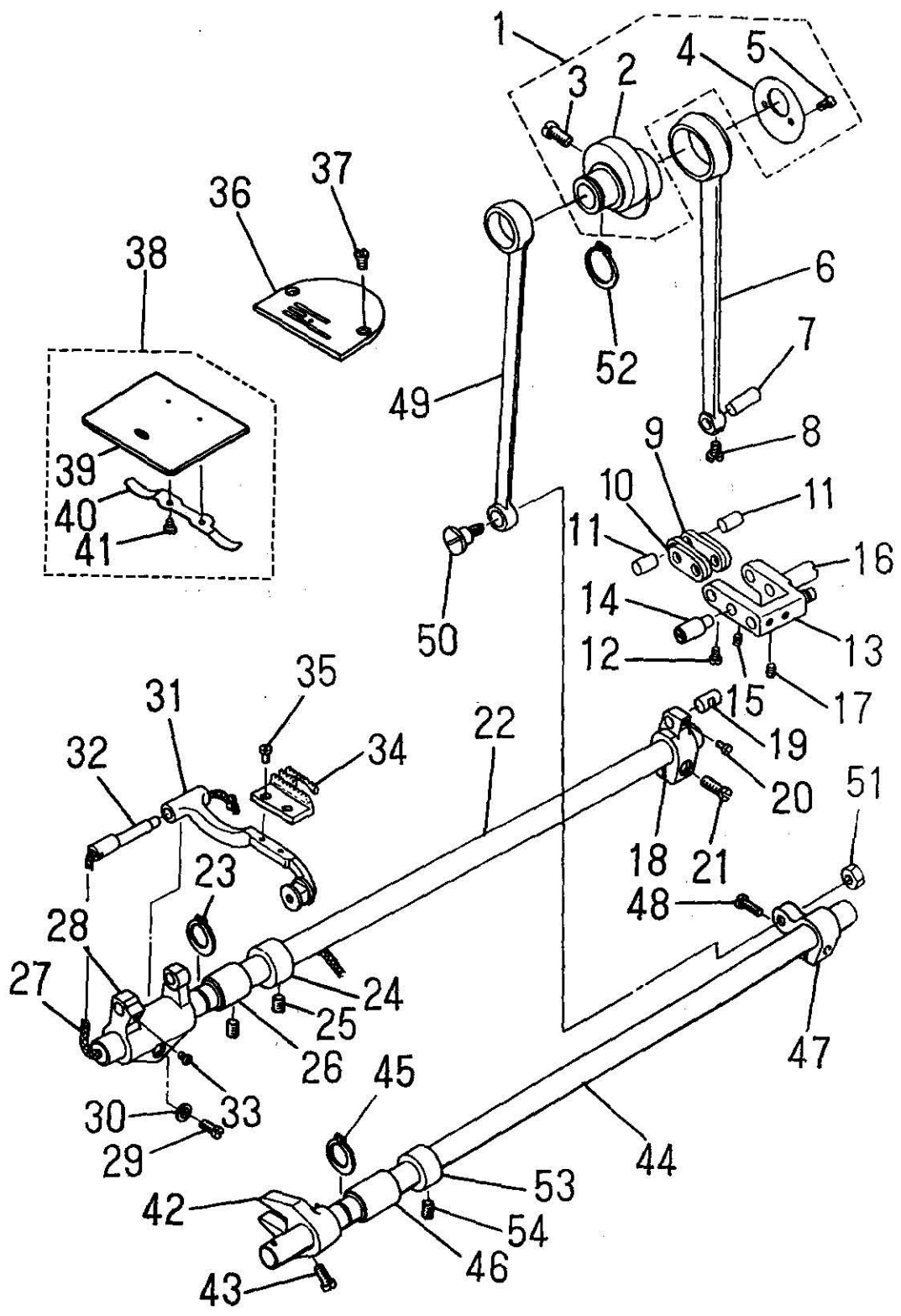
5.Hook driving shaft compinents

Ref.No.	Part No.	Description	Amt.
1	GN161	Hook asm.	1
2	GN162	Bobbin case asm.	1
3	GN163	Bobbin	1
4	GS029	Screw	2
5	GR3371	Positioning finger	1
6	GS030	Screw 11/64-40 L=9.5	1
7	GZ434	Hook driving shaft	1
8	GS031	Oil seal screw	1
9	GR1515	Oil wick	1
10	GR3372	Thrust collar	1
11	GS032	Screw 11/64-40 L=3.5	2
12	GO331/3	Bushing asm front	1
13	GS0559	Screw	1
14	GO470	Bushing, rear	1
15	GS053	Screw 12/64-28 L=9	1
16	GR1519	Thrust collar asm	1
17	GS082	Screw 11/64-40 L=4.8	2
18	GC165	Pinion asm	1
19	GS033	Screw 1/4-40 L=8	8
20	GC166	Gear asm, large	1
21	GO471	Upright shaft bushing,ower	1
22	GO472	Bushing, upper	1
23	GS053	Screw 12/64-28 L=9	1
24	GZ435	Upright shaft	1
25	GC167	Pinion asm	1
26	GC168	Gear asm	1



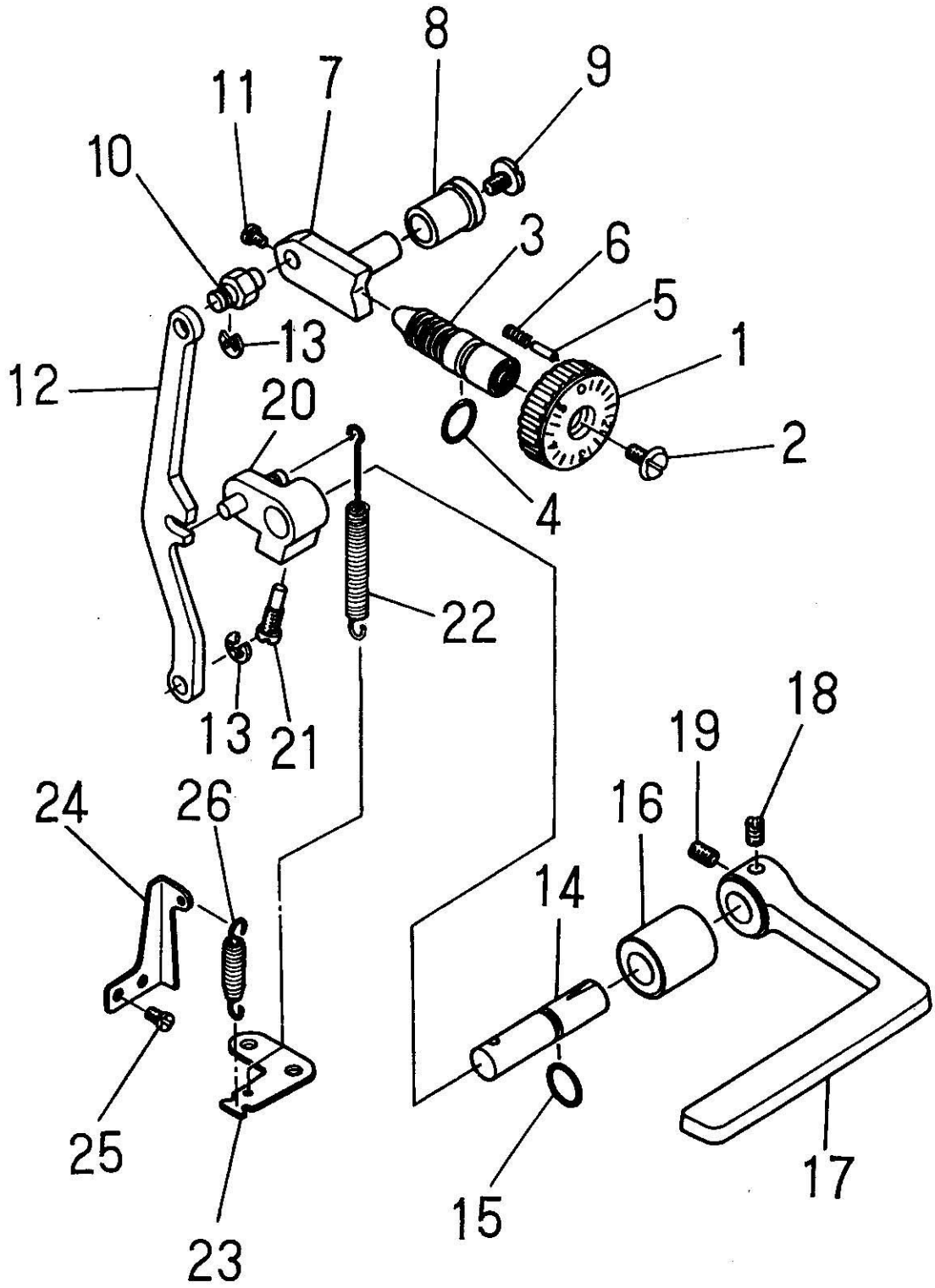
6.Feed mechanism components

Ref.No.	Part No.	Description	Amt.
1		Feed drive cecentric cam asm.....	1
2	GT198	Feed drive cecentric cam.....	(1)
3	GS034	Screw 1/4-40 L=11.....	(2)
4	GR3373	Thrust collar.....	(1)
5	GS011	Screw 9/64 L=6.....	(2)
6	GH568	Rocker shaft connecting rod.....	1
7	GX570	Walking foot pin.....	1
8	GS0560	Screw 9/64-40 L=6.....	1
9	GR3374	Walking foot link.....	2
10	GR3375	Connecting link.....	2
11	GX571	Walking foot pin.....	2
12	GS0560	Screw 9/64-40 L=6.....	2
13	GR3376/2	Walking foot adjusting link.....	1
14	GX573	Adjusting link fulcrum shaft.....	1
15	GS48	Screw 15/64-28 L=7.....	1
16	GX573	Adjusting link fulcrum shaft.....	1
17	GS48	Scrcw 15/64-28 L=7.....	1
18	GH569	Feed rocker shaft crank asm.....	1
19	GX571	Walking foot pin.....	1
20	GS0560	Screw 9/64-40 L=6.....	1
21	GS0561	Scrcw 3/16-28 L=14.....	1
22	GZ436	Feed rocker shaft.....	1
23	GR1524	Retaining ring.....	1
24	GR1469	Thrust collar asm.....	1
25	GS39	Screw 1/4-40 L=6.....	2
26	GO473	Fccd tocker shaft bushing.....	1
27	GR3378	Oil wick.....	1
28	GR3379	Feed rockcr asm.....	1
29	GS69	Screw 3/16-28 l=14.....	1
30	GR1528	Washer.....	1
31	GR3380/5	Feed bar asm.....	1
32	GX575	Feed bar shaft.....	1
33	GS092	Screw 11/64-40 L=7.....	1
34	GM201	Feed dog.....	1
35	GS072	Screw 1/8-44 L=6.....	2
36	GM202	Throat platc.....	1
37	GS044	Screw 11/64-40 l=8.5.....	2
38	GM340/4	Bed slide asm.....	1
39	GM204	Slide plate.....	(1)
40	GW434	Bed slide spring.....	(1)
41	GS045	Screw 3/32-56 L=1.9.....	(2)
42	GH570	Driving shaft crank asm. front.....	1
43	GS037	Screw 11/64-40 L=10.5.....	1
44	GZ437	Feed driving shaft.....	1
45	GR1524	Retaining ring.....	1
46	GO336	Feed rocker shaft bushing.....	1
47	GH571	Rear crank asm.....	1
48	GS0561	Screw 3/16-28 L=12.....	1
49	GH572	Connecting rod.....	1
50	GS0562	Hinge screw.....	1
51	GL7	Nut 9/32-28.....	1
52	GR1535	Snap ring.....	1
53	GR1469	Thrust collar asm.....	1
54	GS39	Screw 1/4-40 L=6.....	2



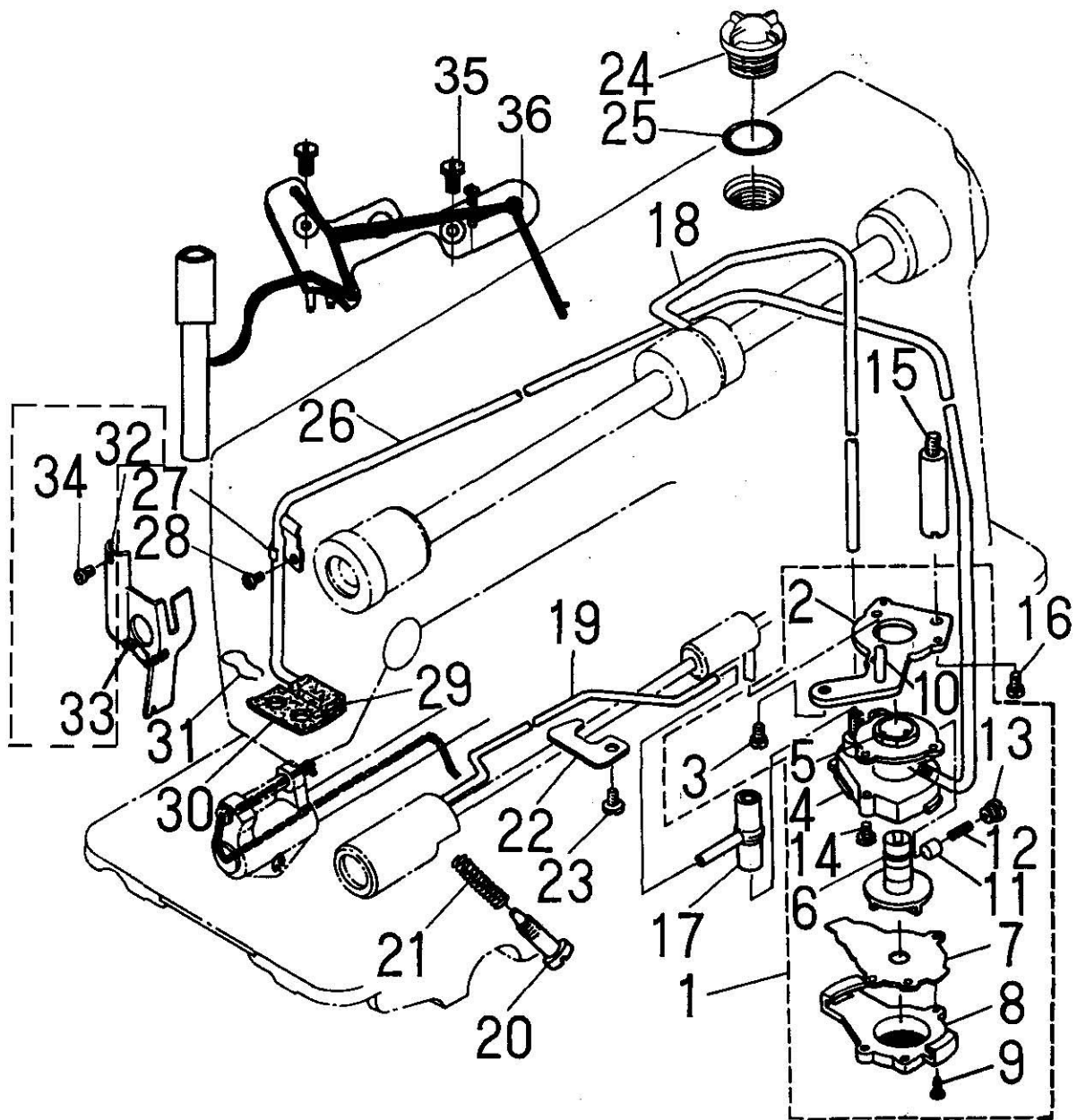
7.Feed regulating components

Ref.No.	Part No.	Description	Amt.
1	GR3382	Feed dial.....	1
2	GS0563	Screw.....	1
3	GS0564	Feed regulator screw.....	1
4	GR3383	Rubber ring.....	1
5	GX576	Pin.....	1
6	GW257	Spring.....	1
7	GR3384	Feed regulator.....	1
8	GO474	Feed regulator bushing.....	1
9	GS0565	Screw.....	1
10	GX577	Feed regulator pin.....	1
11	GS011	Screw 9/64-40 L=6.....	2
12	GH573	Feed regulator connecting rod.....	1
13	GR1510	Snap ring.....	2
14	GZ438	Feed reverse shaft.....	1
15	GR3385	Rubber ring.....	1
16	GO475	Feed lever metal.....	1
17	GR3386	Reverse feed control lever.....	1
18	GS050	Screw 1/4-40 L=10.....	1
19	GS033	Screw 1/4-40 L=8.....	1
20	GH574/2	Feed reverse arm asm.	1
21	GS0566	Feed reverse arm screw.....	1
22	GW435	Feed reverse spring.....	1
23	GR3387	Feed spring hook.....	1
24	GR3388	Adjusting link spring guide.....	1
25	GS0567	Screw 11/64-40 L=5.....	2
26	GW436	Adjusting link spring.....	1



8.Lubrication components

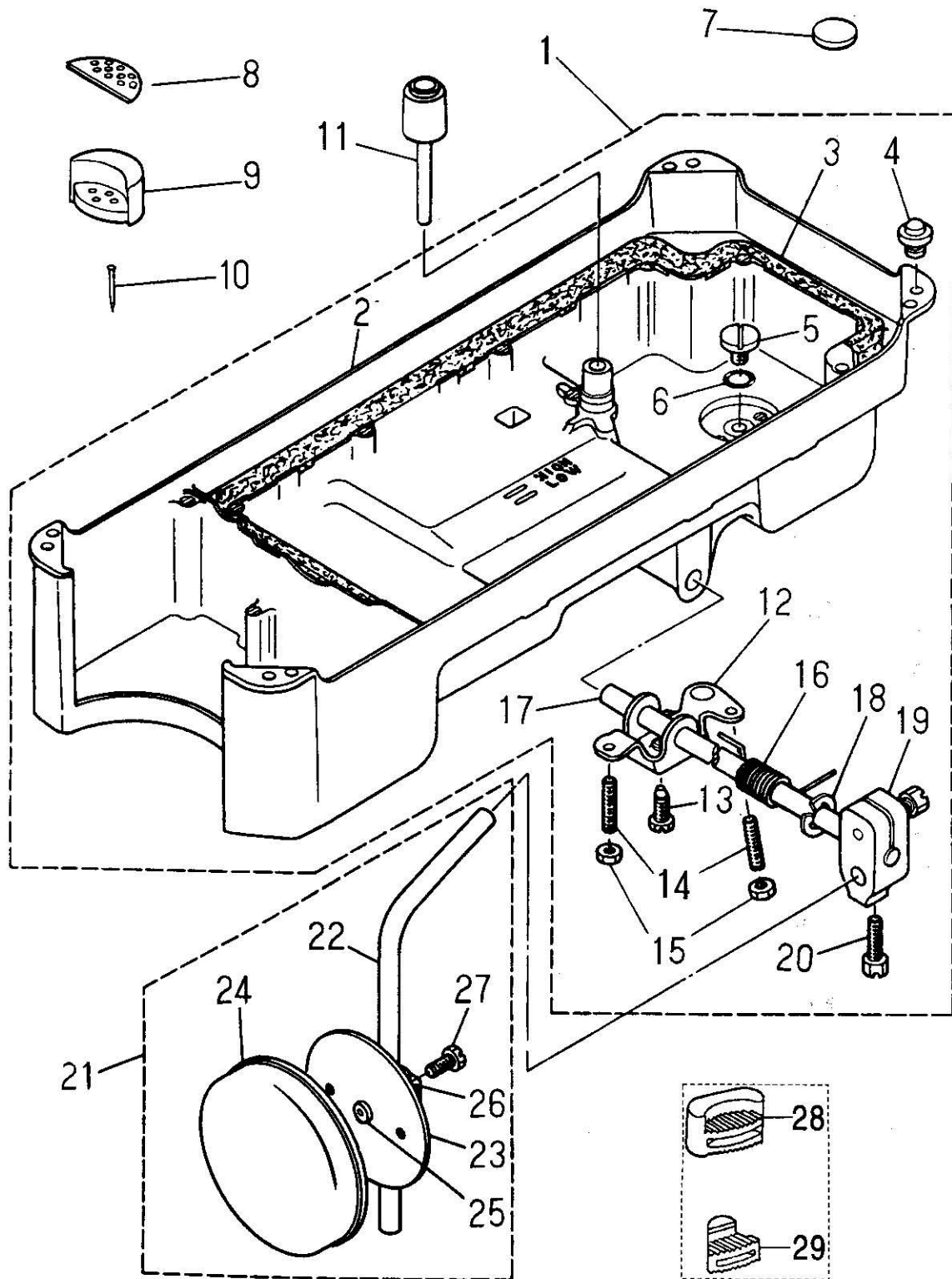
Ref.No.	Part No.	Description	Amt.
1	GR3389/12	Lubricating oil pump asm.	1
2	GR3390	Oil pump installing base	(1)
3	GS0568	Screw 15/64-28 L=9	(3)
4	GR3391	Oil pump	(1)
5	GO476	Oil pump bushing	(1)
6	GR3392	Oil pump impeller	(1)
7	GR3393	Oil pump impeller cover	(1)
8	GR3394	Lubricating oil pump cover	(1)
9	GS554	Screw	(3)
10	GR3395	Hook driving shaft oil tube	(1)
11	GR3396	Plunger	(1)
12	GW437	Plunger spring	(1)
13	GS0569	plunger screw	(1)
14	GS062	Screw	(1)
15	GS0567	Oil pump support	1
16	GS030	Screw 11/64-40 L=9.5	1
17	GR3397	Rubber joint	1
18	GR3398	Main shaft oil tube	1
19	GR3399	Oil tube	1
20	GS054	Oil adjusting screw	1
21	GW259	Spring	1
22	GR3400	Tube holder (lower)	1
23	GS062	Screw 15/64-28 L=9	1
24	GR1561	Oil sight window	1
25	GR1562	Rubber ring	1
26	GR3401	Oil return tube	1
27	GR1566	Oil return tube holder	1
28	GS0551	Screw 3/16-28 L=6	1
29	GR1567	Anti-dust oil felt	1
30	GR1568	Oil felt	1
31	GR1569	Oil felt presser	1
32	GR3403	Arm oil shield	1
33	GR3404	Oil wick	1
34	GS44	Screw 1/8-44 L=4	1
35	GS0835	Oil wick setplate screw	2
36	GR0836	Oil wick setplate asm	1



9.Oil reservoir & knee lifter components

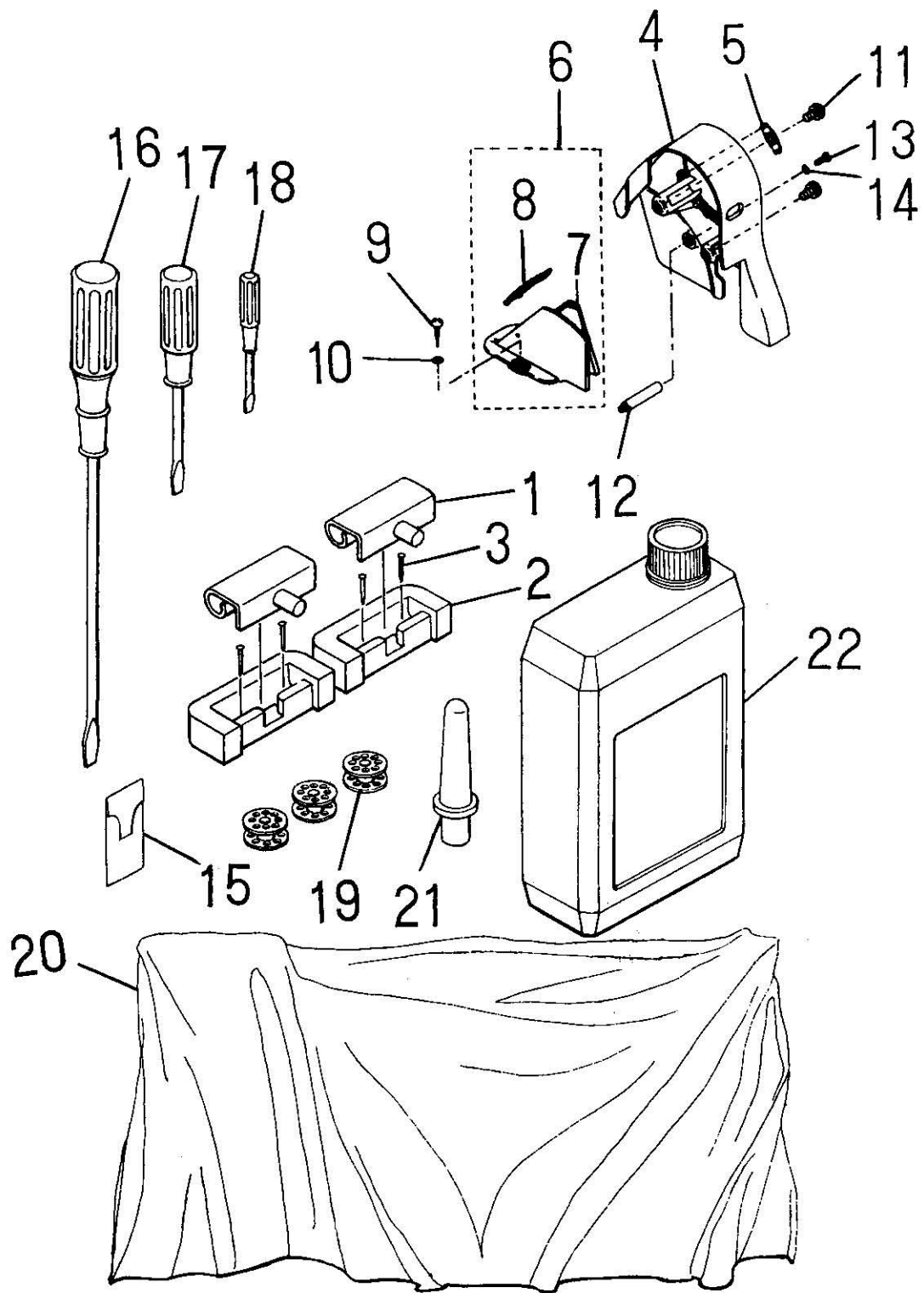
Ref.No.	Part No.	Description	Amt.
1	GR3405/17	Oil reservoir asm.	1
2	GR3406	Oil reservoir	(1)
3	GR3407	Gasket	(1)
4	GR3408	Rubber cushion	(4)
5	GS0571	Screw	(2)
6	GR3409	Rubber ring	(2)
7	GR1576	Oil reservoir magnet	1
8	GR1578	Oil reservoir felt cushion	2
9	GR1579	Oil reservoir rubber cushion	2
10	GBX108	Nail	4
11	GH579	Knee press lifter rod	1
12	GH576	Connecting rod, vertical	1
13	GS0572	Screw	1
14	GS057	Screw 15/64-28 l=30	2
15	GL21	Nut 15/64-28	2
16	GW438	Spring	1
17	GZ439	Knee press rod	1
18	GR1583	Snap ring	1
19	GR3410	Bearing bracket	1
20	GS0573	Screw 9/32-20 l=20	2
21	GR3411/6	Knee press plate asm.	1
22	GR1586	Knee lifter plate rod	1
23	GR3412	Knee press plate	1
24	GKR13	Knee press plate cover	1
25	GR3413	Rubber	1
26	GR3414	Knee press plate holder	1
27	GS584	Screw 15/64-28 l=15	1
28	22T9-009	Antivibration pad of machine head(big)	2
29	22T9-010	Antivibration pad of machine head(small)	2

Remarks: antivibration pad of machine head(big)28, antivibration pad of machine head(small) 29, it is suitable to install table of which four concave angle shape and size is same the antivibration pad of machine head(28,29), shape and size.



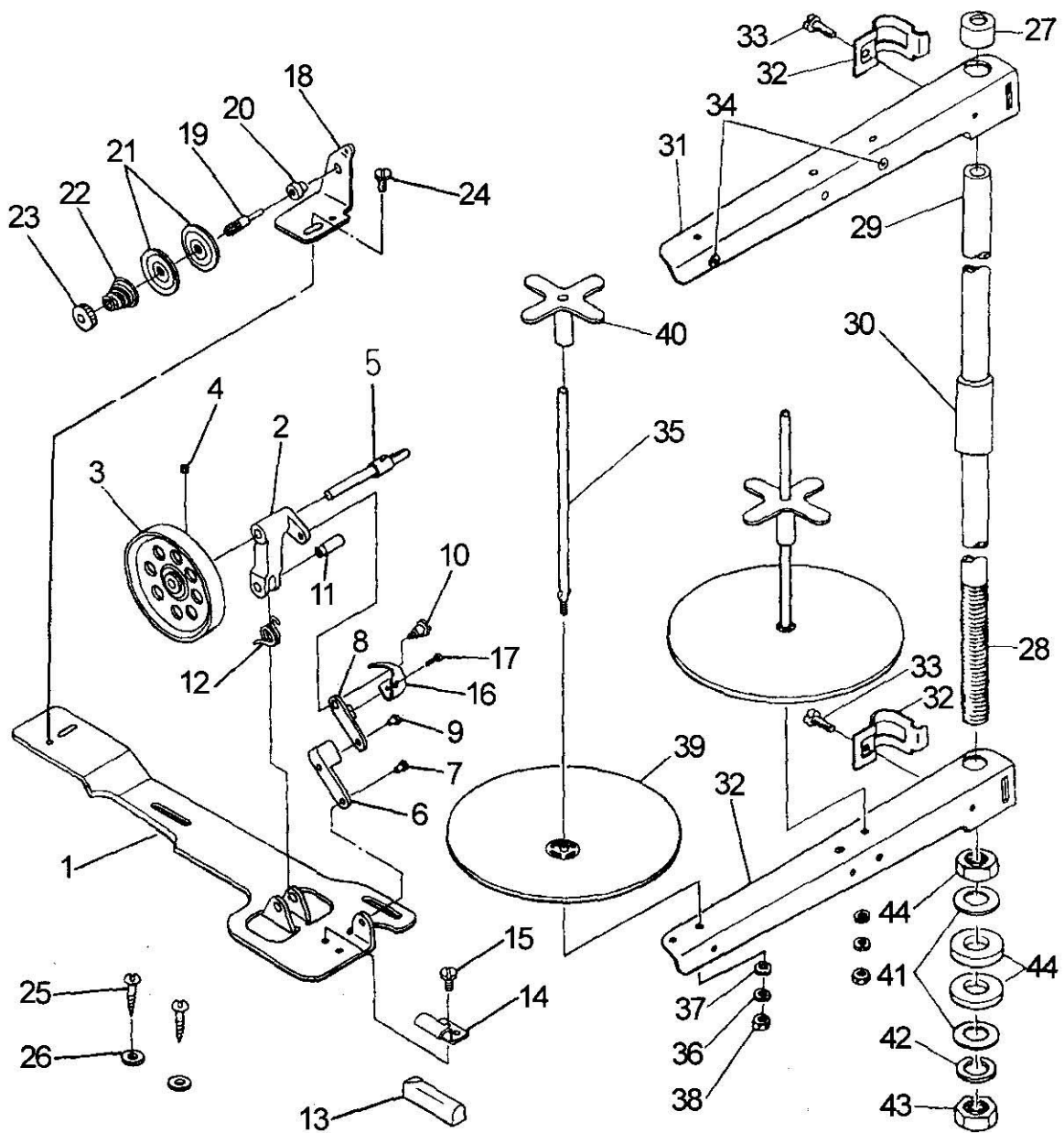
10. Machine head accessories(1)

Ref.No.	Part No.	Description	Amt.
1	GR1590/2	Machine hinge plate asm,	2
2	GBX105	Machine hinge plate.....	2
3	GK241	Nail.....	4
4	GR3415	Beltcover,A.....	1
5	GK242/3	Beltcover,A cap.....	1
6	GK243	Beltcover,B asm,	1
7	GK242/2	Beltcover,B.....	1
8	GBS120	Beltcover,B cover asm,.....	1
9	GBR147	Wood screw D=4.5 L=20.....	2
10	GS0574	Washer.....	2
11	GS0575	Beltcover,A screw.....	2
12	GS0576	Beltcover support.....	1
13	GS0576	Screw 3/16-28 L=14.....	1
14	GR3417	Washer.....	1
15	GV15	Needle.....	1 包
16	GR1610	Screw driver, large.....	1
17	GR1602	Screw driver, mendium.....	1
18	GR1603	Screw driver, small.....	1
19	GN163	Bobbin.....	3
20	GF424	Machine head cover.....	1
21	GBR148	Machine rest pin.....	1
22	GR1604/3	Oil reservoir asm,	1



Machine head accessories(2)

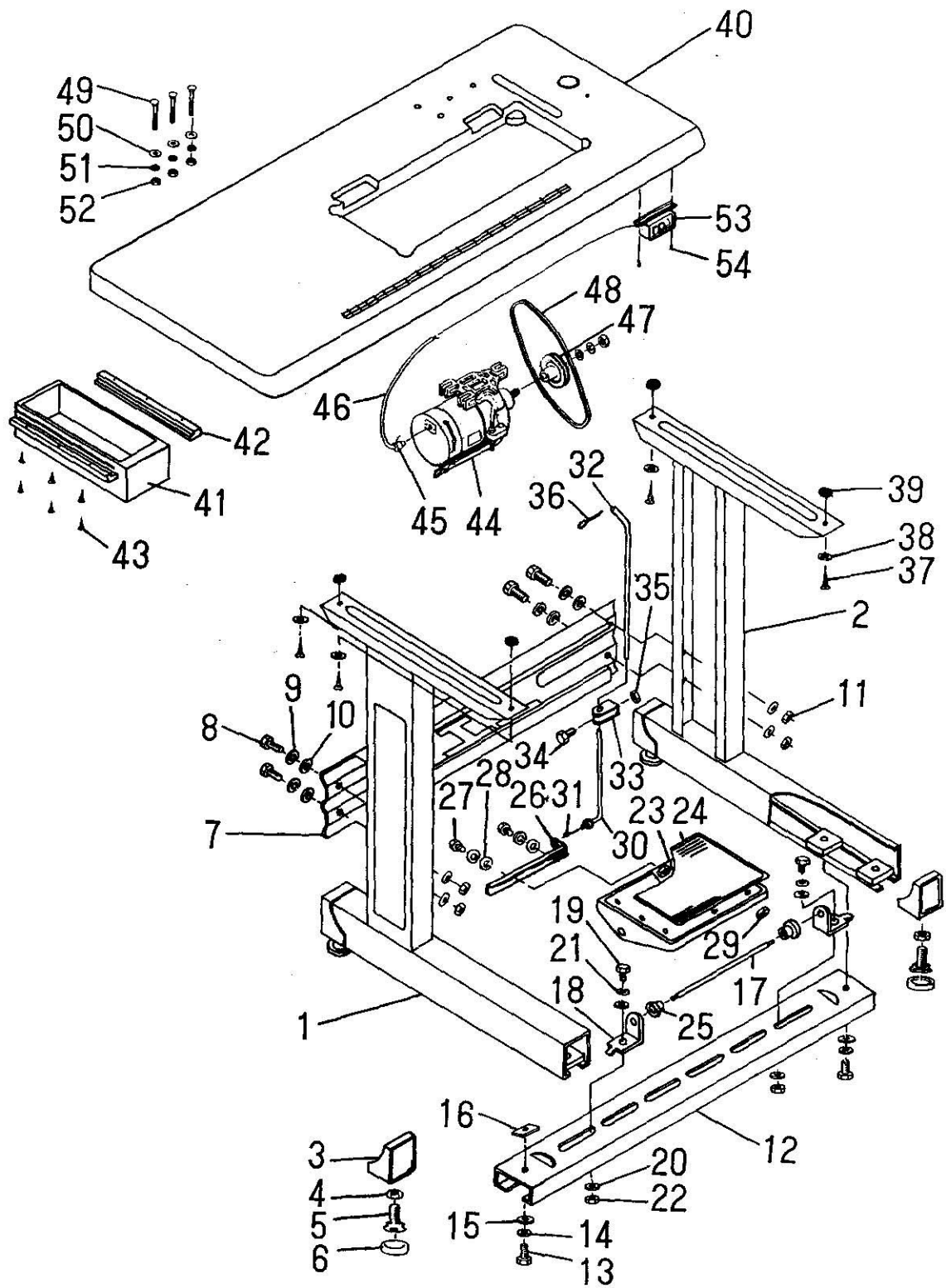
Ref.No.	Part No.	Description	Amt.
1	GR3419	Bobbin winder base asm	1
2	GR3420	Thread winder base asm	1
3	GP167	Thread winder asm	1
4	GS013	Screw	1
5	GZ284	Bobbin winder shaft	1
6	GR3421	Connecting rod	1
7	GX347	Connecting rod pin	1
8	GR3422	Bobbin winder frame rod	1
9	GX347	Bobbin winder frame rod pin	1
10	GS063	Screw 1/8-44 L=12.5	1
11	GX348	Bobbin winder frame pin	1
12	GW263	Bobbin winder frame spring	1
13	GR1613	Rubber brake	1
14	GR3423	Presser plate	1
15	GS061	Screw 11/64-40 L=3	1
16	GW439	Bobbin winder spring	1
17	GS065	Hinge screw	1
18	GR3425	Thread tension bracket asm	1
19	GS0577	Screw	1
20	GR1617	Bobbin winder tension disc collar	1
21	GR1488	Tension disc	2
22	GW265	Tension spring	1
23	GL22	Thread tension stud nut	1
24	GS0578	Screw 11/64-40 L=7.8	1
25	GBS120	Wood screw	2
26	GBR147	Washer	2
27	GR1744	Spool rest rod rubber cap	1
28	GZ315	Spool rest rod (lower)	1
29	GZ316	Spool rest rod (upper)	1
30	GR1932	Spool rested joint	1
31	GR1825	Thread guide asm	2
32	GR1745	Thread guide asm joint	2
33	GS558	Screw	2
34	GR1748	Thread guide ring	2
35	GS067	Spool pin	2
36	GR1625	Spring washer	2
37	GR1626	Washer	2
38	GL23	Nut	2
39	GR1811	Spool rest	2
40	GR1215	Spool vibration stopper	2
41	GR1696	Washer	2
42	GR1751	Spring washer	1
43	GL158	Nut	2
44	GR1753	Rubber washer	2



11. Machine stand, table & electric appliance components*

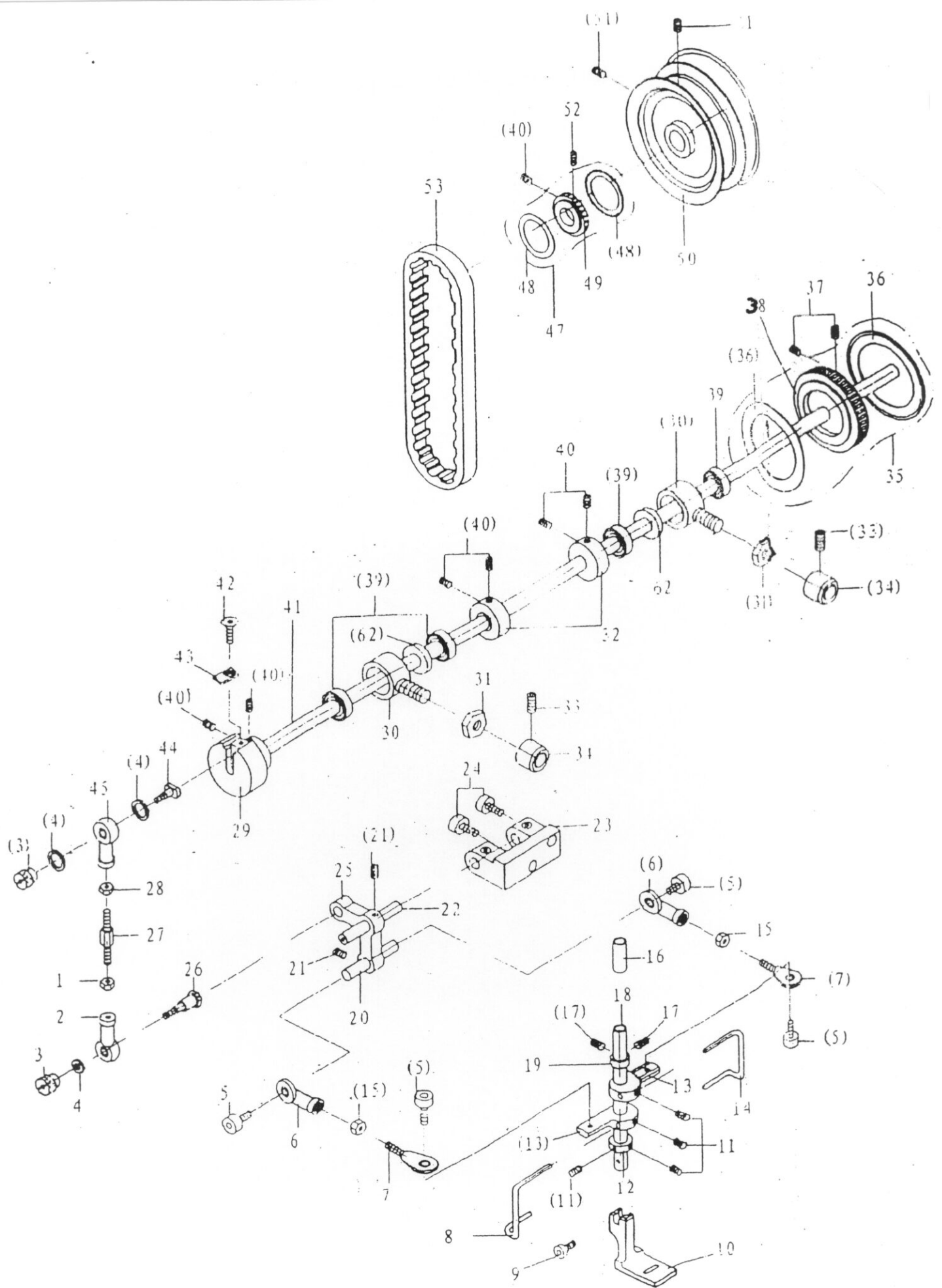
Ref.No.	Part No.	Description	Amt.
1	GKR302/5	Stand side asm, left	1
2	GKR305/5	Stand side asm, right	1
3	GKR318	Rubber cushion	4
4	GKL104	Nut.....	4
5	GKR196/2	Screw.....	4
6	GKR198	Space ring.....	4
7	GKR309	Stand side support.....	1
8	GKS110	Screw.....	4
9	GKR106	Spring washer.....	4
10	GKR122	Washer.....	8
11	GKL101	Nut.....	4
12	GKR310	Treadle brace.....	1
13	GKS110	Screw.....	2
14	GKR106	Spring washer.....	2
15	GKR122	Washer.....	2
16	GKR311	Treadle brace locknut plate.....	2
17	GKX301	Treadle shaft.....	1
18	GKR317	Treadle bracket.....	2
19	GKS110	Screw.....	2
20	GKR122	Washer.....	4
21	GKR106	Spring washer.....	2
22	GKL101	Nut.....	2
23	GKR312	Trecable.....	1
24	GKR313	Gas Ket.....	1
25	GKR314	Collar.....	2
26	GKR315	Treadle pitman.....	1
27	GKS102	Screw.....	2
28	GKR112	Washer.....	4
29	GKL102	Nut.....	2
30	GKR316	Pitman rod, lower.....	1
31	GKW301	Spring.....	1
32	GKR118	Pitman rod, upper.....	1
33	GKR183	Joint.....	1
34	GKS110	Joint screw.....	1
35	GKL101	Joint nut.....	1
36	GKX101	Pitman rod split pin (upper).....	1
37	GBS114	Table wood screw.....	4
38	GKR112	Table wood screw washer.....	4
39	GKR186	Table washer.....	4
40	GBR150	Table.....	1
41	GBR151	Drawer.....	1
42	GBR152	Drawer rail.....	2
43	GBS121	Drawer rail wood screw.....	6
44	GD234	Motor GFC4024 motor.....	1
45	GD219	Motor connecting wire plug.....	1
46	GD108	Motor wire.....	1
47	GD233	Motor pulley.....	1
48	GE122	Machine driving beit.....	1
49	GKS122	Motor & table connecting screw.....	3
50	GKR209	Motor & table connecting washer.....	3
51	GKR106	Motor & table connecting spring washer.....	3
52	GKL101	Motor & table connecting nut.....	3
53	GD227	Power source switch.....	1
54	GBS104	Power source switch wood screw.....	2

* Note that parts above mentioned shall be purchased in a separate order.



For Heavy Weight Materials

Ref.No.	Part No.	Description	Amt.
1	GH579/3	Link thread take-up lever asm, ...	1
2	GH580	Needle bar crank H.....	(1)
3	GR1644	Thread guide pin.....	1
4	GO288	Needle bar bushing, lower.....	1
5	GR1632	Needle bar thread guide.....	1
6	GZ441	Needle bar.....	1
7	GR3431	Needle bar thread guide.....	1
8	GV17	Needle (DB × 1#21).....	1
9	GW269	Presser spring.....	1
10	GR3433/10	Thread tension asm,	1
11	GW268	Tension spring.....	1
12	GR3432	Arm thread guide (HA).....	1
13	GW440	Adjust link spring.....	1
14	GR3434	Positioning finger.....	1
15	GM210	Throat plate(H).....	1
16	GM209	Feed dog(H).....	1
17	GM208/5	Hinged presser foot asm.....	1
18	GR1646	Presser foot asm.....	1
19	GN197	Lubricating bobbin asm.....	1
20	GS069	Screw 1/8-44 L=25.....	1
21	GR3435	feed spring hook.....	1



NO.	Parts no.	Description	Qty.	Remark	
1	851301	screw cap	1	MS (left) GB6170-86	
2		ball joint(lower)	1		
3	851302	knurled nut	2		
4		washer	3		5GB97.2-85
5		hexagon socket screw with cylindrical head	4		M5x12GB70-85
6		ball joint(forward)	2	SM9/64"x10-10.5	
7		ball joint(back)	2		
8	851303	looper(left)	1		
9	8500-4-8	screw	1		
10	851304	presser	1		
11		hexagon socket set screw with cup point	4	M4x4GB80-85	
12	851305	down retaining ring for looper holder	1		
13	851306	looper holder	2		
14	851307	looper(right)	1		
15		screw cup	2		M5GB6170-86
16	851308	presser stick cover	1	SmM1/8"x44-2.5	
17	851309	slot type set screw	2		
18	851310	presser stick	1		
19	851311	upper retaining ring for looper stand	1		
20	851312	small shaft	1		
21		hexagon socket set screw with cup point	2	M5x5GB80-85	
22	851313	rocker shaft	1		
23	851314	rocker holder	1		
24		hexagon socket screw with cylindrical head	2		M5x16GB70-885
25	851315	rocker frame	1		
26	851316	hinge screw	1	M5GB6170-86	
27	851317	ball hinges connecting screw	1		
28		screw cup	1		
29	851318	eccentric wheel	1		
30	851319	looper drive shaft center support	2		
31		screw cup	2	M10GB6170-86	
32	851320	looper drive shaft retaining ring	2		
33	8500-3-34	screw	2		SM3/16"x28-6
34	851321	screw stake	2		
35	851322	big belt wheel assembly			
36	851323	big belt wheel retaining ring	2	M6x10GB80-85	
37		hexagon socket set screw with cup point	2		
38	851324	big belt wheel	1		
39		ball shaft	4		1000900GB276-82
40		hexagon socket set screw with cup point	7		M5x3GB80-85
41	851325	looper driver shaft	1	SM11/64"x40-3	
42			2		
43	851326	holder	1		
44	851327	T type screw	1		
45		ball joint(upper)	1		
46			1		
47	851329	small belt wheel assembly			
48	851330	small belt wheel retaining ring	2		
49	851331	small belt wheel	1		
50	851332	big wheel	1		
51	8500-2-30	hexagon socket set screw with cup point	2	Sm15164"x28-15	
52		hexagon socket set screw with cup point	1		M5x6GB80-85
53		toothed belt	1		132XL
54			2sets		
55	8570-8-12	screw cup	1		SM11/64"x40
56			1		

