

# GLOBAL

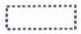
## DN 8442 - DN 8442 LH

Two needle lockstitch sewing machine

PARTS MANUAL



# Notes for using this parts book

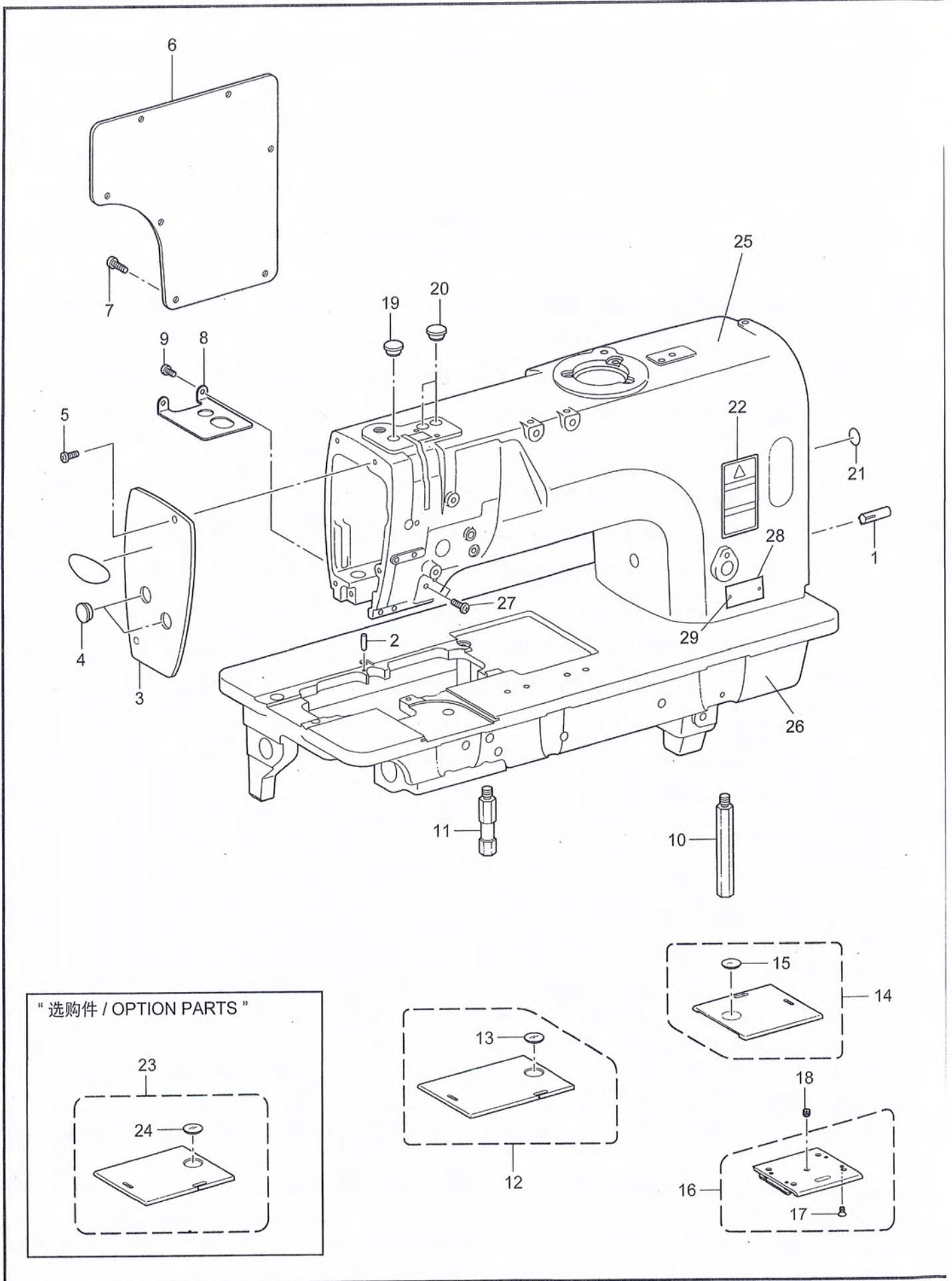
- 1.Parts are subject to changes in design without prior notice.
- 2.Parts supplied as complete assemblies are circled by a dotted line  .
- 3.If the symbol \* is found in the "Parts No." column, refer to the different parts list.  
gauge parts list on page 34-41.

## CONTENTS

A. Machine body -----	1
B. Upper shaft mechanism -----	3
C. Needle bar rocking mechanism -----	5
D. Presser foot mechanism -----	7
E. Feed mechanism -----	9
F. Feed shaft mechanism -----	11
G1. Rotary hook mechanism -----	13
G2. Rotary hook mechanism -----	17
H. Gauge parts -----	17
J. Lower shaft mechanism -----	19
K. Power supply equipment mechanism -----	19
L. Lubrication -----	21
M. Threading mechanism -----	25
N. Bobbin winder mechanism -----	27
Z1. Accessories -----	29
Z2. Accessories -----	31
Wa. Warning labels -----	33
SP. Different parts list -----	34
Ga. Gauge parts list -----	35
Index -----	42



# A. 机体部分 / Machine body



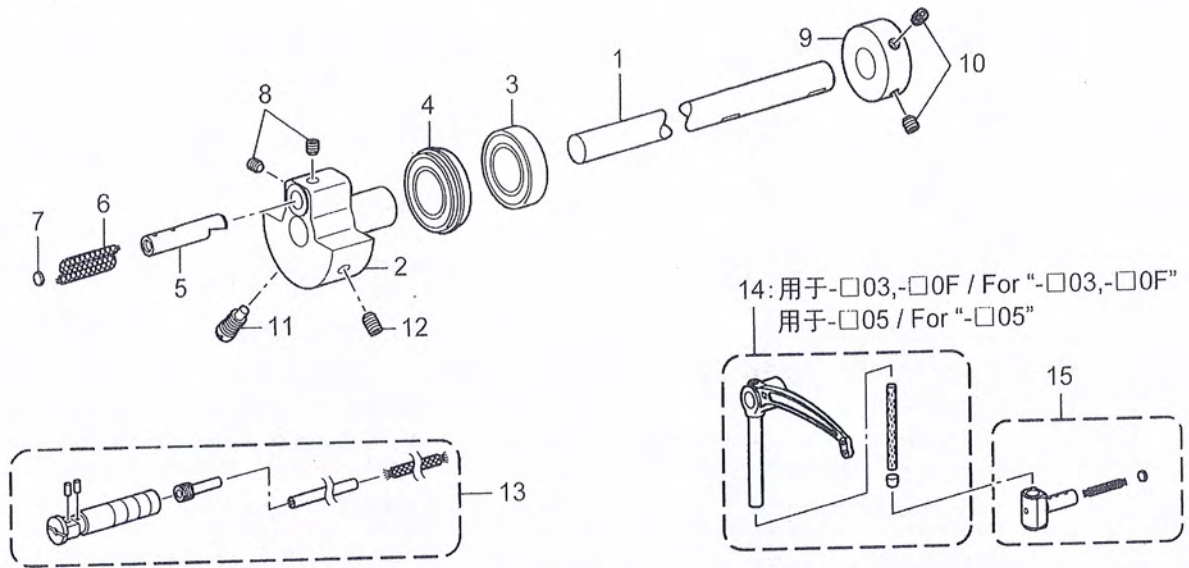


# A. 机体部分 / Machine body

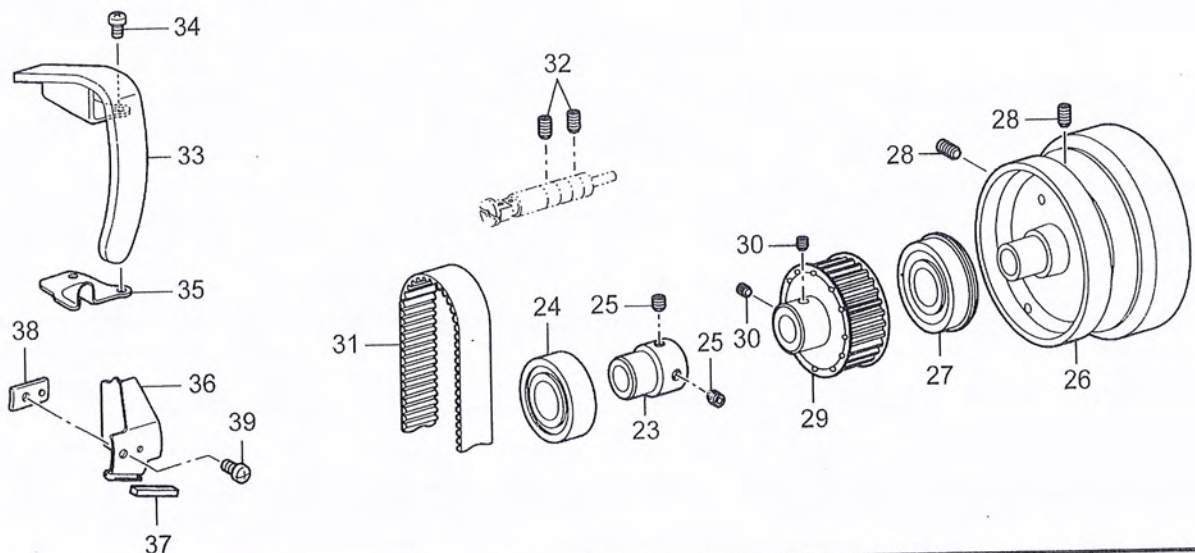
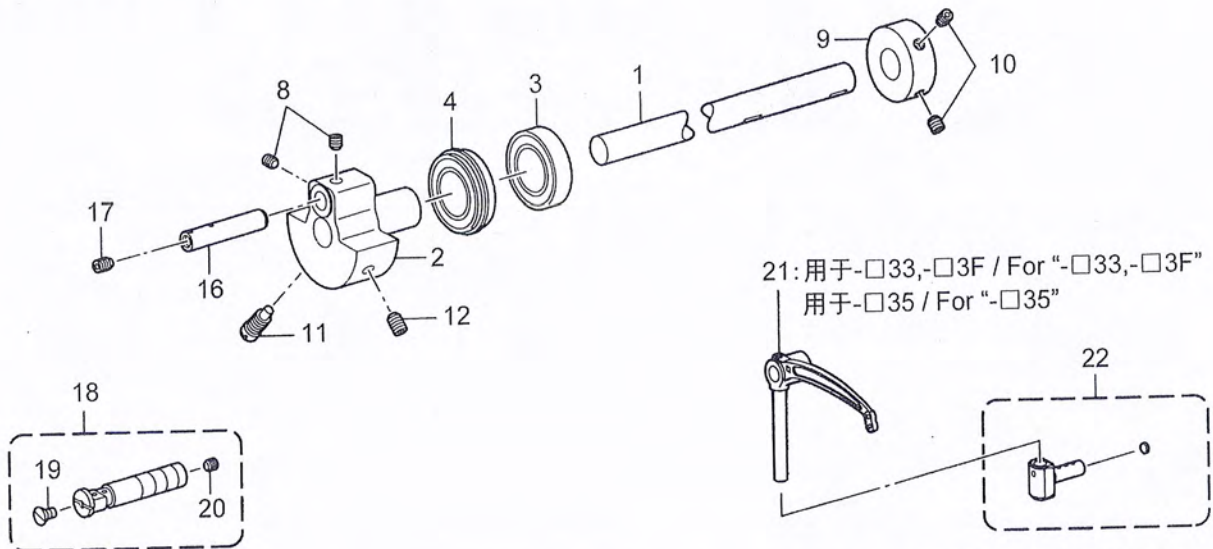
序号	图号	件号	零部件名称	NAME OF PARTS	数量
1	31A-1	140063001	带槽销	DOWEL PIN	1
2	31A-2	SA3924001	定位销	POSITIONING PIN	1
3	31A-3	SA2440001	主板	FACE PLATE	1
4	31A-4	SA2929001	橡皮塞 12.5	RUBBER CAP, 12.5	2
5	31A-5	062500816	螺钉 M5 × 8	SCREW, PAN M5 × 8	2
6	31A-6	SA2441001	侧板	REAR COVER	1
7	31A-7	062501216	螺钉 M5 × 12	SCREW, PAN M5 × 12	7
8	31A-8	SA2443001	防尘板	DUST PROTECTOR	1
9	31A-9	062500616	螺钉 M5 × 6	SCREW, PAN M5 × 6	2
10	31A-10	SA2444001	脚柱 L	BED LEG, L	1
11	31A-11	SA2445001	脚柱 S	BED LEG, S	1
12	31A-12	SA2447001	推板 LA	SLIDE PLATE, LA	1
13	31A-13	SA2479001	推板窗	BOBBIN WINDOW	1
14	31A-14	SA2449001	推板 R	SLIDE PLATE, R	1
15	31A-13	SA2479001	推板窗	BOBBIN WINDOW	1
16	31A-16	S36663051	前推板	SLIDE PLATE F	1
17	31A-17	S34438051	螺钉 1/8-40 × 4	SCREW, FLAT 1/8-40 × 4	4
18	31A-18	116010001	一字紧定螺钉 13/64-32 × 4.3	SET SCREW, 13/64-32 × 4.3	1
19	31A-4	SA2929001	橡皮塞 12.5	RUBBER CAP, 12.5	1
20	31A-4	SA2929001	橡皮塞 12.5	RUBBER CAP, 12.5	2
21	31A-21	S37060001	接地标记	LABEL, GROUNDING	1
22	31A-22	SA2041001	操作注意标签 (中/英)	LABEL, CAUTION CHN/ENG	1
25	31A-25		机壳	ARM	1
26	31A-26		底板	BED	1
27	31A-5		螺钉 M5 × 8	SCREW, PAN M5 × 8	2
28	31A-28		标牌	LABEL	1
29	31A-29		铆钉	RIVET	2
23	31A-23	SA2761001	<选购件> 推板LB组件	<Option parts> SLIDE PLATE, LB ASSY	1
24	31A-24	SA2479001	推板窗	BOBBIN WINDOW	1

## B. 上轴装置 / Upper shaft mechanism

< 微油型规格, 用于-□0□ / For "-□0□" Minimum lubrication type >



< 针杆无油型规格, 用于-□3□ / For "-□3□" Semi dry type >





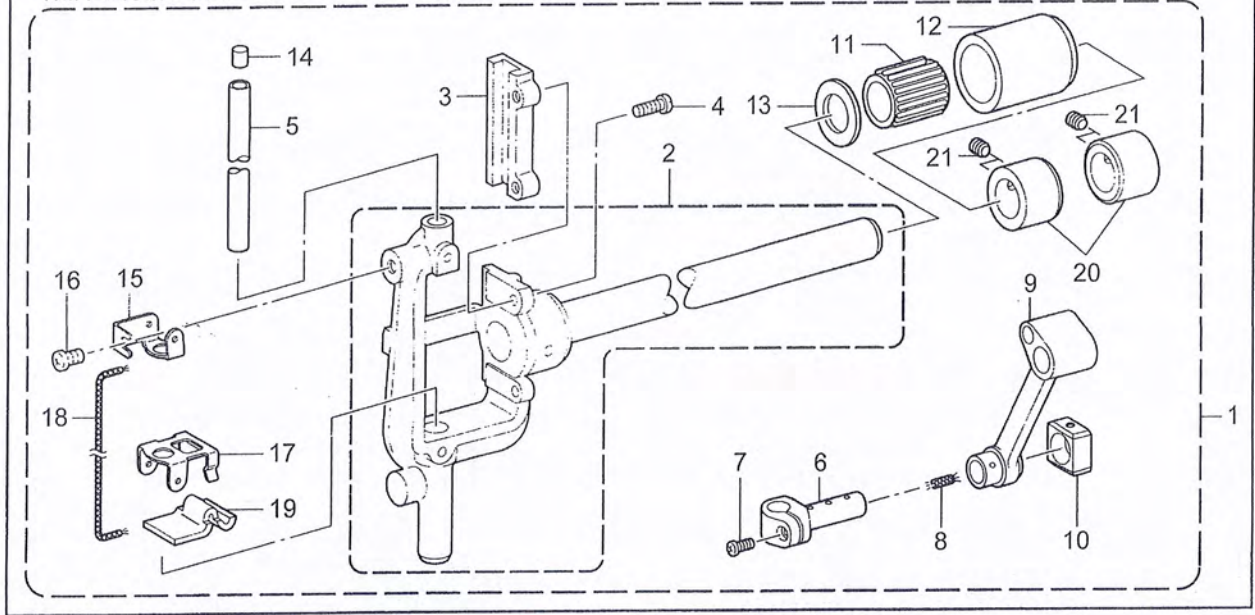
# . 上轴装置 / Upper shaft mechanism

序号	图号	件号	零部件名称	NAME OF PARTS	数量
1	31B-1	SA2746201	<用于-□0□> 上轴 ST	<For "-□0□"> UPPER SHAFT, ST	1
2	31B-2	SA4089001	挑线杆曲柄	THREAD TAKE-UP CRANK	1
3	31B-3	S25234001	球轴承 6004ZZ	BALL BEARING, 6004ZZ	1
4	31B-4	S38707001	球轴承 6004ZZNR	BALL BEARING, 6004ZZNR	1
5	31B-5	S38398001	针杆曲柄轴	CRANKSHAFT, N-BAR	1
6	31B-6	SA4335001	油线 6 × 6 L=90	WICK, 6 × 6 (L=90)	1
7	31B-7	113014000	油线盖	PUSHER	1
8	31B-8	S25260001	固定螺钉 M6-0.75 × 5	SET SCREW, SOCKET (FT) M6-0.75 × 5	2
9	31B-9	SA1120001	卷线驱动轮	BOBBIN WINDER DRIVING WHEEL	1
10	31B-10	S23651001	固定螺钉 M6-0.75 × 6	SET SCREW, SOCKET (FT) M6-0.75 × 6	2
11	31B-11	S25235001	螺钉 M8	SCREW, M8	1
12	31B-12	S25236001	固定螺钉 M6-0.75 × 10	SET SCREW, SOCKET (FT) M6-0.75 × 10	1
13	31B-13	SA2861001	挑线杆支撑轴总组件	THREAD TAKE-UP S-SHAFT UNIT	1
14	31B-14	SA2935101	<用于-□03, -□0F> 挑线杆S3-L组件	<For "-□03, -□0F"> THREAD TAKE-UP LEVER ASSY	1
14	31B-14	SA2936101	<用于-□05> 挑线杆S5-L组件	<For "-□05"> THREAD TAKE-UP LEVER ASSY	1
15	31B-15	S13160001	<用于-□0□> 挑线杆接头滑块组件 2	<For "-□0□"> T-TAKE-UP SLIDE BLOCK ASSY, 2	1
1	31B-1	SA2746201	<用于-□3□> 上轴 ST	<For "-□3□"> UPPER SHAFT, ST	1
2	31B-2	SA4089001	挑线杆曲柄	THREAD TAKE-UP CRANK	1
3	31B-3	S25234001	球轴承 6004ZZ	BALL BEARING, 6004ZZ	1
4	31B-4	S38707001	球轴承 6004ZZNR	BALL BEARING, 6004ZZNR	1
16	31B-16	SA4112001	挑线杆曲柄轴 P	THREAD TAKE-UP CRANK SHAFT, P	1
17	31B-17	014500836	螺钉 M5 × 8	SET SCREW, SOCKET (CP) M5 × 8	1
8	31B-8	S25260001	固定螺钉 M6-0.75 × 5	SET SCREW, SOCKET (FT) M6-0.75 × 5	2
9	31B-9	SA1120001	卷线驱动轮	BOBBIN WINDER DRIVING WHEEL	1
10	31B-10	S23651001	固定螺钉 M6-0.75 × 6	SET SCREW, SOCKET (FT) M6-0.75 × 6	2
11	31B-11	S25235001	螺钉 M8	SCREW, M8	1
12	31B-12	S25236001	固定螺钉 M6-0.75 × 10	SET SCREW, SOCKET (FT) M6-0.75 × 10	1
18	31B-18	SA2464001	挑线杆支架轴组件	THREAD TAKE-UP S-SHAFT ASSY	1
19	31B-19	SA2958001	螺钉 M5 × 6	SCREW, FLAT M5 × 6	1
20	31B-20	012500536	螺钉 M5 × 5	SET SCREW, SOCKET (FT) M5 × 5	1
21	31B-21	SA4115001	<用于-□33, -□3F> 挑线杆 S3P	<For "-□33, -□3F"> THREAD TAKE-UP LEVER, S3 P	1
21	31B-21	SA4116001	<用于-□35> 挑线杆 S5P	<For "-□35"> THREAD TAKE-UP LEVER, S5 P	1
22	31B-21	SA4129001	<用于-□3□> 挑线杆接头滑块组件	<For "-□3□"> THREAD TAKE-UP SLIDE B-ASSY	1
23	31B-23	SA2748001	轴承套座	BALL BEARING BUSH	1
24	31B-24	076023800	球轴承	BALL BEARING	1
25	31B-10	S23651001	固定螺钉 M6-0.75 × 6	SET SCREW, SOCKET (FT) M6-0.75 × 6	2
26	31B-26	SA2750001	手轮	PULLY	1
27	13B-24	158115001	球轴承 6204ZZNR	BALL BEARING, 6204ZZNR	1
28	B-17	012061036	螺钉 M6 × 10	SET SCREW, SOCKET (FT) M6 × 10	2
29	31B-29	SA2720001	上轴同步轮组件	TIMING PULLEY ASSY	1
30	31B-10	SA4214001	固定螺钉 M6-0.75 × 6	SET SCREW, SOCKET (FT) M6-0.75 × 6	2
31	31B-31	SA2463001	圆弧同步带	TIMING BELL	1
32	B-17	012061036	螺钉 M6 × 10	SET SCREW, SOCKET (FT) M6 × 10	2
33	31B-33	SA2469001	挑线杆防护罩	THREAD TAKE-UP LEVER COVER	1
34	31A-5	062500816	螺钉 M5 × 8	SCREW, PAN M5 × 8	2
35	32B-28	SA3057001	防尘盖	DUST COVER	1
36	31B-36	SA3058101	遮掩板	SHELTER PLATE	1
37	31B-37	SA3065001	油毡	FELT	1
38	31B-38	SA3059001	遮掩板支座	HOLDER, SHELTER PLATE	1
39	31A-5	062500816	螺钉 M5 × 8	SCREW, PAN M5 × 8	1

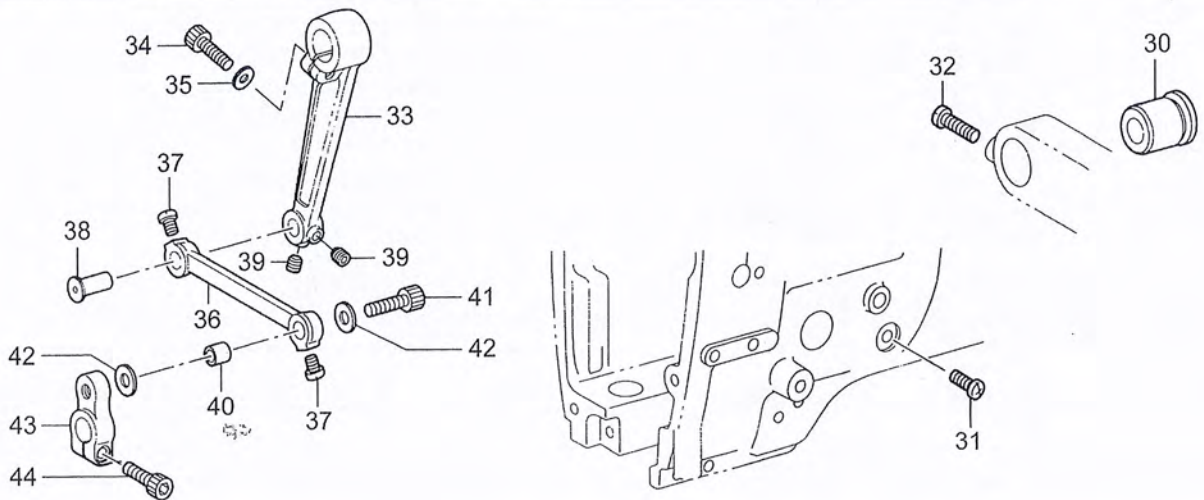
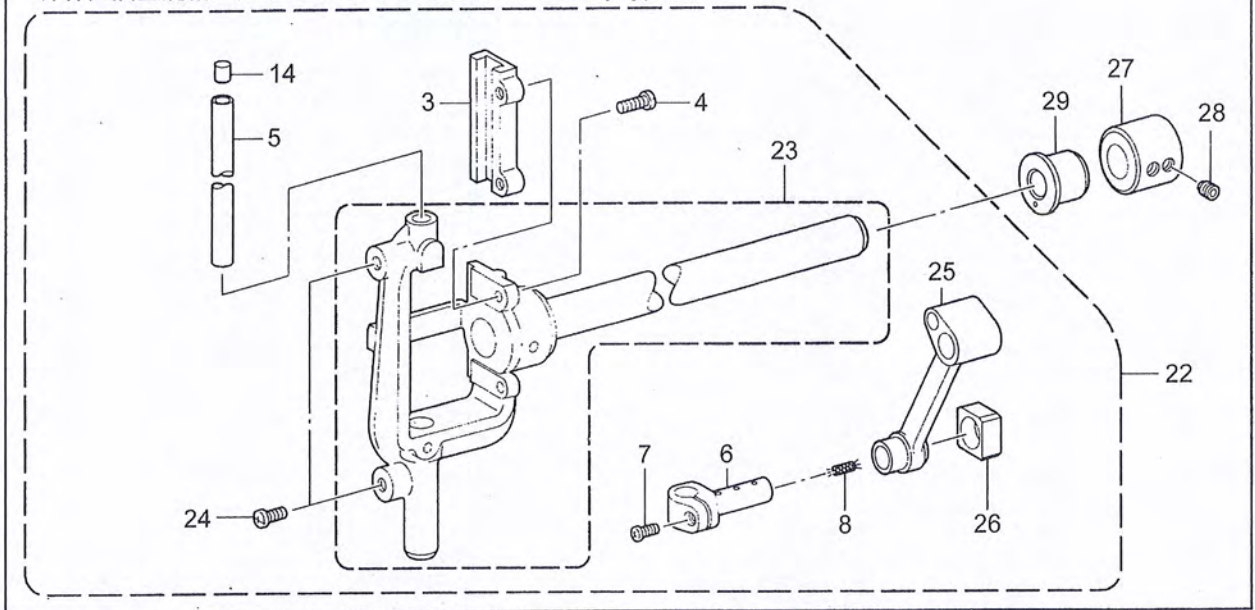


# C. 针杆摆动装置 / Needle bar rocking mechanism

< 微油型规格, 用于-□0□ / For "-□0□" Minimum lubrication type >



< 针杆无油型规格, 用于-□3□ / For "-□3□" Semi dry type >



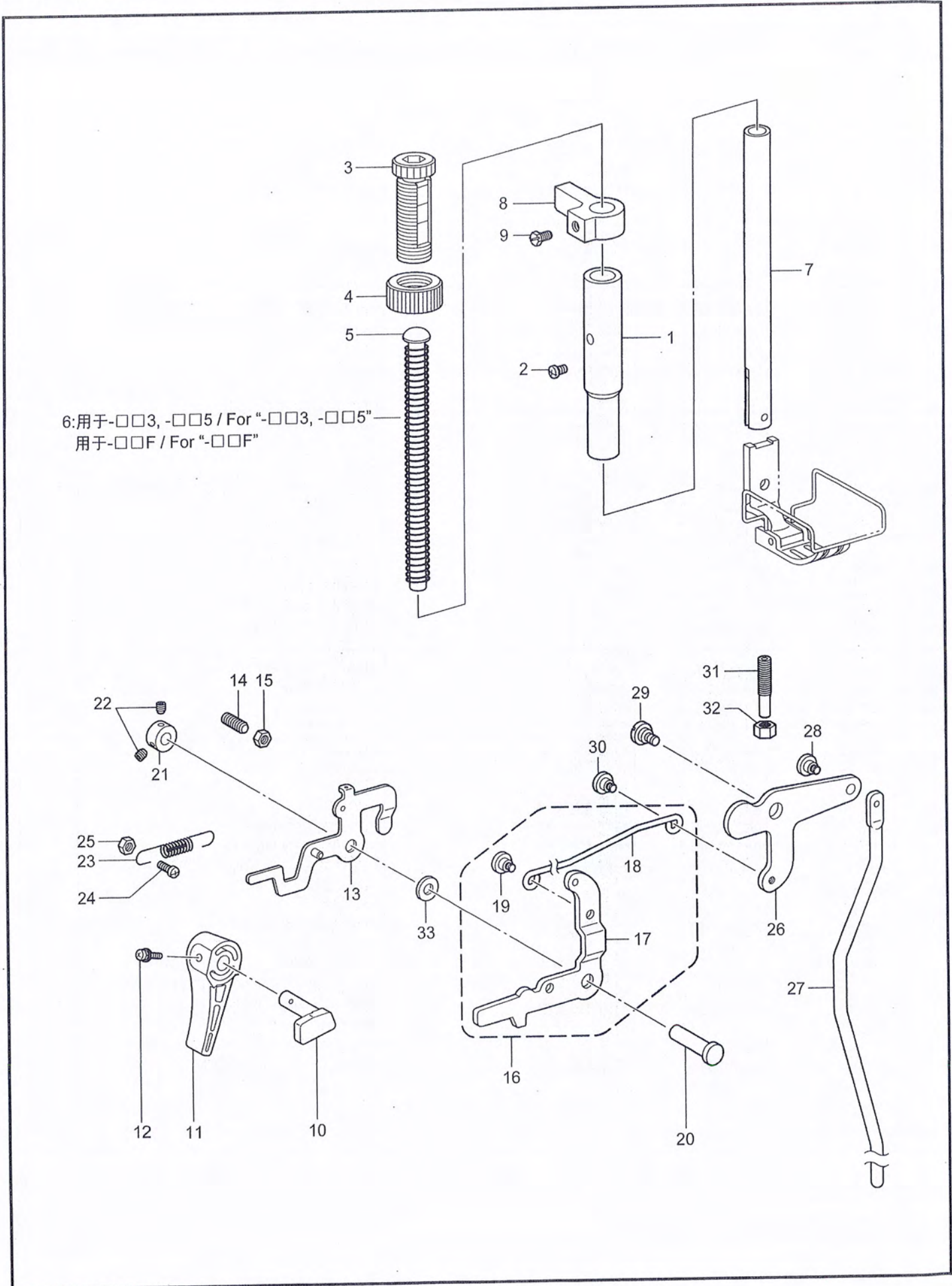


## C. 针杆摆动装置 / Needle bar rocking mechanism

序号	图号	件号	零部件名称	NAME OF PARTS	数量
1	31C-1	SA4124101	<用于-□0□> 针杆摆动轴组件	<For "-□0□"> NEEDLE BAR ROCKER SHAFT ASSY	1
2	31C-2	SA3854001	针杆台组件	NEEDLE BAR BASE ASSY	1
3	31C-3	SA2474101	角滑块槽	SLIDE BLOCK SLIDER	1
4	C-25	062401016	螺钉 M4 × 10	SCREW, PAN M4 × 10	2
5	31C-5	SA2475001	针杆	NEEDLE BAR	1
6	31C-6	SA3710001	针杆包箍	NEEDLE BAR CLAMP	1
7	31C-7	062350816	螺钉 M3.5 × 8	SCREW, PAN M3.5 × 8	1
8	31C-8	112728001	油线 L=50	WICK, L=50	1
9	31C-9	SA3711001	针杆曲柄连杆	CRANK ROD, N-BAR	1
10	31C-10	SA3712001	角滑块	SLIDE BLOCK	1
11	31C-11	SA2482001	滚针和保持架组件	NEEDLE BEARING	1
12	31C-12	SA2483001	轴承套	CASE	1
13	31C-13	SA2484001	垫圈	WASHER, PLAIN	1
14	31C-14	148394000	针杆塞	CAP, N-BAR	1
15	31C-15	SA4007001	油毡上支架	FELT SUPPORT	1
16	31A-9	062500616	螺钉 M5 × 6	SCREW, PAN M5 × 6	1
17	31C-17	SA3848001	油毡下支架	FELT SUPPORT	1
18	31C-18	S07465000	油线 L=200	WICK, L=200	1
19	31C-19	SA3852001	油毡	FELT	1
20	31C-20	SA2485001	紧圈	SET SCREW COLLAR	2
21	31B-8	S25260001	固定螺钉 M6-0.75 × 5	SET SCREW, SOCKET(FT) M6-0.75 × 5	4
22	31C-22	SA4093001	<用于-□3□> 针杆摆动轴组件	<For "-□3□"> NEEDLE BAR ROCKER SHAFT ASSY	1
23	31C-23	SA2471001	针杆台组件	NEEDLE BAR BASE ASSY	1
24	31C-24	062500816	螺钉 M5 × 8	SCREW, PAN M5 × 8	2
3	31C-3	SA2474101	角滑块槽	SLIDE BLOCK SLIDER	1
4	C-15	062401016	螺钉 M4 × 10	SCREW, PAN M4 × 10	2
5	31C-5	SA2475001	针杆	NEEDLE BAR	1
6	31C-6	SA3710001	针杆包箍	NEEDLE BAR CLAMP	1
7	31C-7	062350816	螺钉 M3.5 × 8	SCREW, PAN M3.5 × 8	1
8	31C-8	112728001	油线 L=50	WICK, L=50	1
25	31C-25	SA4094001	针杆曲柄连杆	CRANK ROD, N-BAR	1
26	31C-26	SA2481001	角滑块	SLIDE BLOCK	1
14	31C-14	148394000	针杆塞	CAP, N-BAR	1
27	31C-27	SA2485001	紧圈	SET SCREW COLLAR	1
28	31C-28	S25260001	固定螺钉 M6 × 5	SET SCREW, SOCKET (FT) M6 × 5	2
29	31C-29	SA4095001	摆动轴轴套 L	BUSH, L	1
30	31C-30	SA2486101	摆动轴轴套 R	BUSH, R	1
31	31A-5	062500816	螺钉 M5 × 8	SCREW, PAN M5 × 8	1
32	31C-32	062061616	螺钉 M6 × 16	SCREW, PAN M6 × 16	1
33	31C-33	SA2489001	针杆摆动连杆	NEEDLE BAR ROCKER LEVER ASSY	1
34	2A-14-13	018062032	螺栓 M6 × 20	BOLT, SOCKET M6 × 20	1
35	31C-35	118735002	垫圈	WASHER	1
36	31C-36	SA2490101	针杆摆动杆	ROCKER LINK, N-BAR	1
37	31E-7	062060816	螺钉 M6 × 8	SCREW, PAN M6 × 8	2
38	31C-38	SA4117001	摆动杆轴 P	LINK SHAFT, N-BAR ROCKER P	1
39	A-58	012060636	螺钉 M6 × 6	SET SCREW, SOCKET (FT) M6 × 6	2
40	31C-40	SA4118001	摆动杆轴套 P	ZIGZAG LINK BUSH, P	1
41	31C-41	018062532	内六角螺栓 M6 × 25	BOLT, SOCKET M6 × 25	1
42	31C-42	SA2493001	垫圈	WASHER, PLAIN	2
43	31C-43	SA2494001	针杆摆动臂	NEEDLE BAR ROCK ARM	1
44	2A-14-13	018062032	螺栓 M6 × 20	BOLT, SOCKET M6 × 20	1



# D. 压脚装置 / Presser foot mechanism

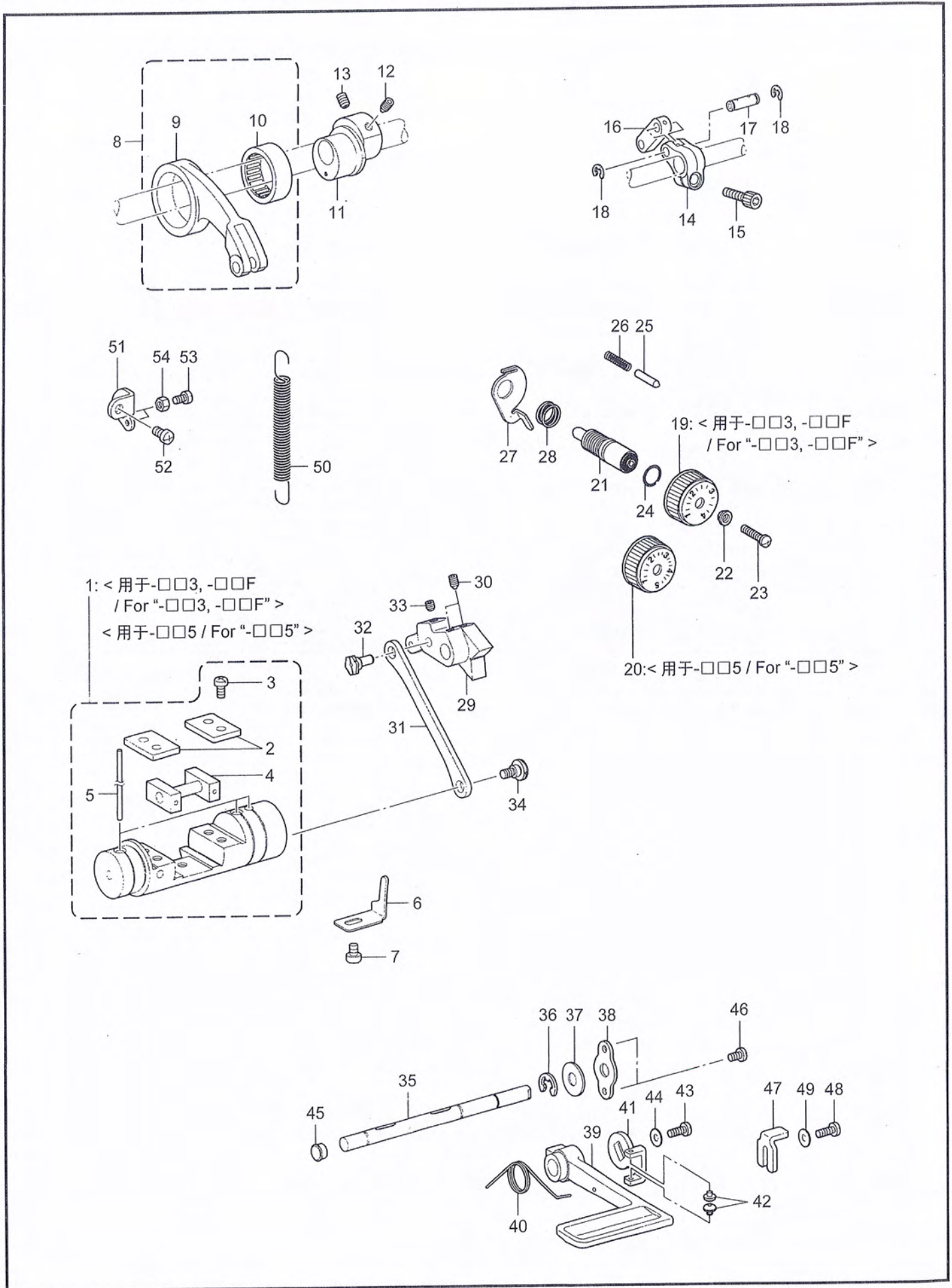




## D. 压脚装置 / Presser foot mechanism

序号	图号	件号	零部件名称	NAME OF PARTS	数量
1	31D-1	SA2495001	压杆轴套	PRESSER BAR BUSH	1
2	31A-5	062500816	螺钉 M5 × 8	SCREW, PAN M5 × 8	1
3	31D-3	SA1174001	调节螺栓 M14 × 1	PRESSER ADJUSTING SCREW, M14 × 1	1
4	31D-4	SA1175001	调节螺母 M14 × 1	ADJUST SCREW NUT	1
5	31D-5	141208001	弹簧导杆	SPRING GUIDE	1
6	31D-6	S07346101	<用于-□□3, -□□5> 压紧弹簧	<For "-□□3, -□□5"> PRESSER BAR SPRING	1
6	31D-6	S16196001	<用于-□□F> 压紧弹簧	<For "-□□F"> PRESSER BAR SPRING	1
7	31D-7	SA2496001	压紧杆	PRESSER BAR	1
8	31D-8	SA2498001	压杆抱箍	GUIDE BRACKET, P-BAR	1
9	31D-9	S25289001	螺栓 M6 × 10	BOLT, (CP) M6 × 10	1
10	31D-10	SA2499001	压杆提升曲柄	PRESSER BAR LIFTING CRANK	1
11	31D-11	S31006001	抬压脚扳手	LIFTING LEVER	1
12	31D-12	S39051001	螺钉 (带垫圈) M3.5 × 12	SCREW, PAN (S/P W) M3.5 × 12	1
13	31D-13	S07353001	松线板组件	TENSION RELEASE PLATE ASSY	1
14	31D-14	012061832	螺钉 M6 × 18	SET SCREW, SOCKET (FT) M6 × 18	1
15	A-35	021060306	螺母 M6	NUT, M6	1
16	31D-16	SA2500001	膝控连杆组件	KNEE LIFTER C-ROD ASSY	1
17	31D-17	SA2501001	抬压脚连杆	PRESSER BAR LIFTING LEVER	1
18	31D-18	SA2502001	膝控连杆	KNEE LIFTER CONNECTING ROD	1
19	31D-19	SA1179001	铰链螺钉 M5	SHOULDER SCREW, M5	1
20	31D-20	S07349001	压紧杆提升杠杆销	P-BAR LIFTING LEVER SHAFT	1
21	31D-21	SA2504001	紧圈	SET SCREW COLLAR	1
22	13D-18	012500536	螺钉 M5 × 5	SET SCREW, SOCKET (FT) M5 × 5	2
23	31D-23	S07355051	弹簧	SPRING, EXTENSION	1
24	31D-24	062501416	螺钉 M5 × 14	SCREW, PAN M5 × 14	1
25	31D-25	021500106	六角螺母 M5	NUT, M5	1
26	31D-26	SA2506001	膝控提升杠杆	KNEE LIFTER LEVER	1
27	31D-27	SA2507001	膝控提升杆	KNEE LIFTER BAR	1
28	31D-19	SA1179001	铰链螺钉 M5	SHOULDER SCREW, M5	1
29	31D-29	SA2165001	铰链螺钉 M6	SHOULDER SCREW, M6	1
30	31D-19	SA1179001	铰链螺钉 M5	SHOULDER SCREW, M5	1
31	31D-31	SA4149001	调整螺钉 M6	ADJUSTING SCREW, M6	1
32	A-35	021060306	六角螺母 M6	NUT, M6	1
33	31D-33	S07350001	垫圈	WASHER, PLAIN	1

# E. 送布装置 / Feed mechanism



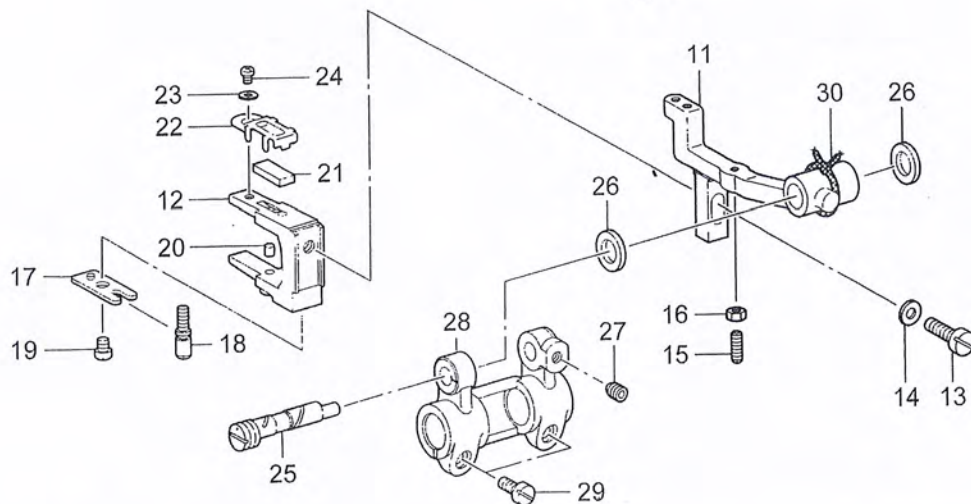
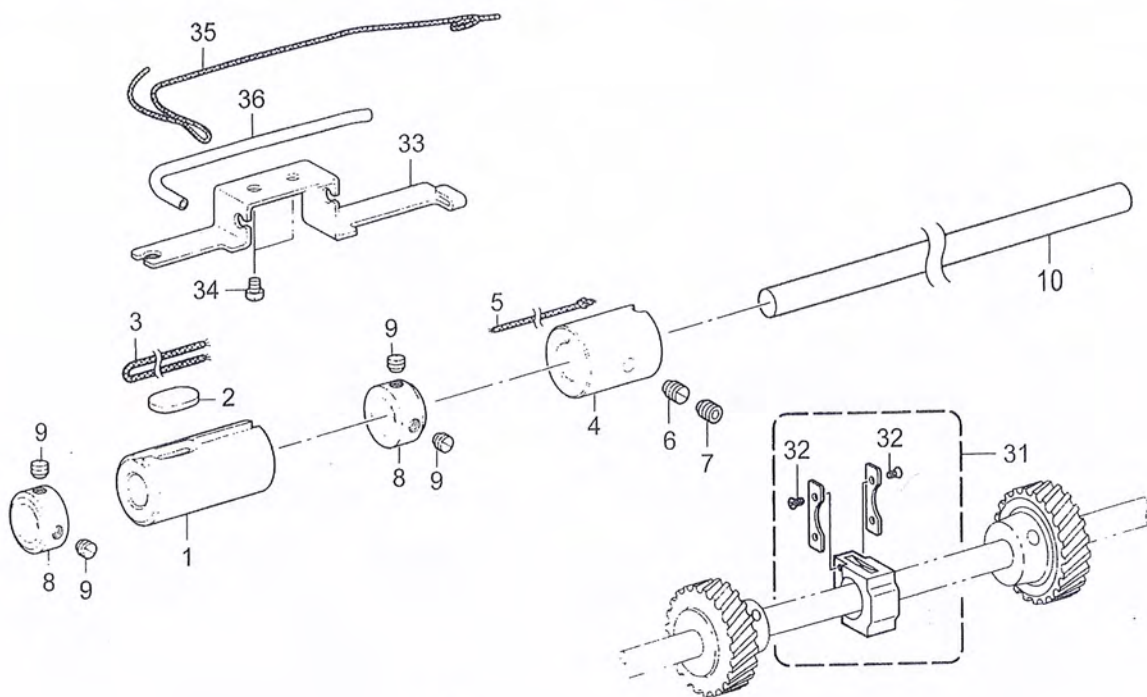


### 三. 送布装置 / Feed mechanism

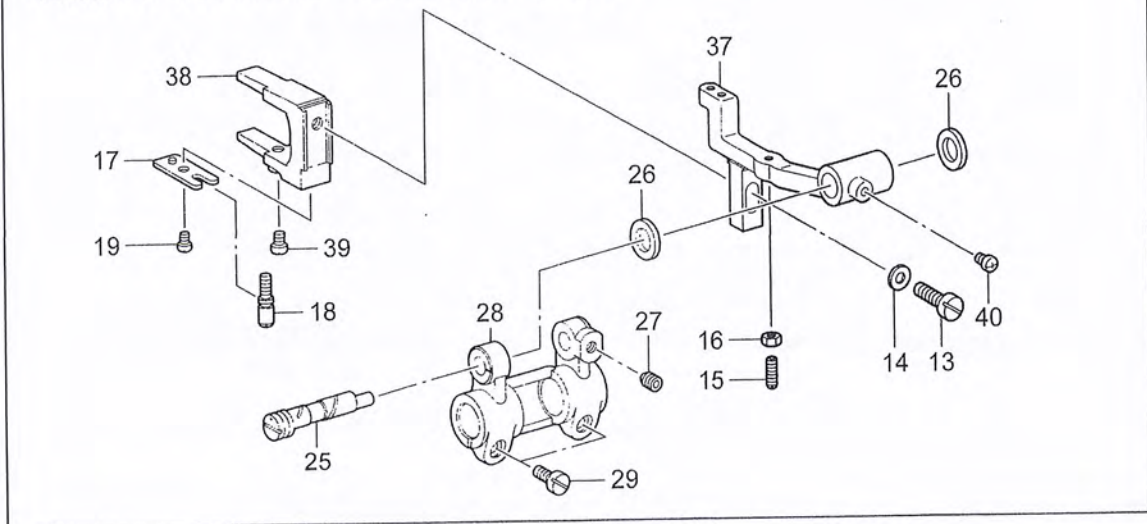
序号	图号	件号	零部件名称	NAME OF PARTS	数量
1	31E-1	SA3062001	<用于-□□3, -□□F> 切换器组件	<For "-□□3, -□□F"> FEED REGULATOR ASSY	1
1	31E-1	SA2509001	<用于-□□5> 切换器组件	<For "-□□5"> FEED REGULATOR ASSY	1
2	31E-2	SA2511001	滑块导向	GUIDE PLATE	2
3	31E-3	062501016	螺钉 M5 × 10	SCREW, PAN M5 × 10	4
4	31E-4	SA2512001	滑块组件	SLIDE BLOCK ASSY	1
5	31E-5	SA2515001	油毡	FELT	3
6	31E-6	SA2516001	切换器定位	STOPEER	1
7	31E-7	062060816	螺钉 M6 × 8	SCREW, PAN M6 × 8	1
8	31E-8	143611201	送布连杆组件	F-ROCKER CONNECTING ROD ASSY	1
9	31E-9	143612100	送布大连杆	FEED ROCKER CONNECTING ROD	1
10	9D-18-3	118954000	滚针轴承	NEEDLE BEARING	1
11	31E-11	SA2518001	水平偏心轮	LEVEL FEED ECCENTRIC WHEEL	1
12	31E-12	SA2585001	固定螺钉 M6-0.75 × 10	SET SCREW, SOCKET (FT) M6-0.75 × 10	1
13	31B-12	S25236001	固定螺钉 M6-0.75 × 10	SET SCREW, SOCKET (FT) M6-0.75 × 10	1
14	31E-14	SA2521001	水平送料臂	FEED ROCKER ARM	1
15	2A-14-13	018062032	螺栓 M6 × 20	BOLT, SOCKET M6 × 20	1
16	31E-16	143613051	送布小连杆	LINK	1
17	31E-17	143616001	送布曲柄轴	SHAFT	1
18	12G-12	048060342	挡圈 6	RETAINING RING, 6	2
19	31E-19	S38422001	<用于-□□3, -□□F> 针距标盘	<For "-□□3, -□□F"> STITCH LENGTH DLAL	1
20	31E-20	S38427001	<用于-□□5> 针距标盘	<For "-□□5"> STITCH LENGTH DLAL	1
21	31E-21	SA3056001	调节螺栓	FEED REGULATING STUD	1
22	31E-22	142746002	针距标盘套	FEED REGULATING SUPPORTER	1
23	31E-23	129458102	螺钉 3/16-28 × 14	SCREW, 3/16-28 × 14	1
24	31E-24	108549001	O型圈	O RING	1
25	31E-25	S50098101	定位销	POSITIONING PIN	1
26	31E-26	100328001	止动销弹簧	NOTCH SPRING	1
27	31E-27	SA2523001	标盘锁杆	DLAL LOCK LEVER	1
28	31E-28	S39830101	弹簧	SPRING	1
29	31E-29	SA2525001	送料调节器	FEED REGULATOR	1
30	B-17	016061031	螺钉 M6 × 10	SET SCREW, SOCKET (CN) M6 × 10	2
31	31E-31	SA2526001	切换器连杆	CONNECTING ROD	1
32	31E-32	SA2527001	偏心轴	ECCENTRIC SHAFT	1
33	A-58	012060636	螺钉 M6 × 6	SET SCREW, SOCKET (FT) M6 × 6	1
34	31E-34	SA2528101	铰链螺钉 M6	SHOULDER SCREW, M6	1
35	31E-35	SA2529101	倒缝手柄轴 TR	SHAFT, R-LEVER TR	1
36	31E-36	048080342	开口挡圈 8	RETAINING RING, 8	1
37	31E-37	025100132	平垫圈 10	WASHER, PLAIN 10	1
38	31E-38	SA2530001	垫片	SPACER	1
39	31E-39	S07374109	倒缝扳手	REVERSE STITCHING LEVER	1
40	31E-40	SA2531001	弹簧	SPRING	1
41	31E-41	SA3067001	手柄导向	LEVER GUIDE	1
42	31E-42	S48367000	导向橡皮	RUBBER	2
43	31A-7	062501216	螺钉 M5 × 12	SCREW, PAN M5 × 12	1
44	31E-44	025050336	平垫圈 5	WASHER, PLAIN 5	1
45	31E-45	104821001	橡胶塞 10.5	RUBBER CAP, 10.5	1
46	31A-5	062500816	螺钉 M5 × 8	SCREW, PAN M5 × 8	2
47	31E-47	SA2532001	定位器	STOPPER	1
48	31A-7	062501216	螺钉 M5 × 12	SCREW, PAN M5 × 12	1
49	31E-49	025050236	平垫圈 5	WASHER, PLAIN 5	1
50	31E-50	S07376001	调节器弹簧	FEED REGULATOR SPRING	1
51	31E-51	SA2533001	弹簧挂钩	SPRING HOOK	1
52	31E-7	062060816	螺钉 M6 × 8	SCREW, PAN M6 × 8	1
53	31A-7	062501216	螺钉 M5 × 12	SCREW, PAN M5 × 12	1
54	31D-25	021500106	六角螺母 M5	NUT, M5	1



# F. 送轴装置 / Feed shaft mechanism



" 选购件 / OPTION PARTS " < 无油型规格 / Dry Type >

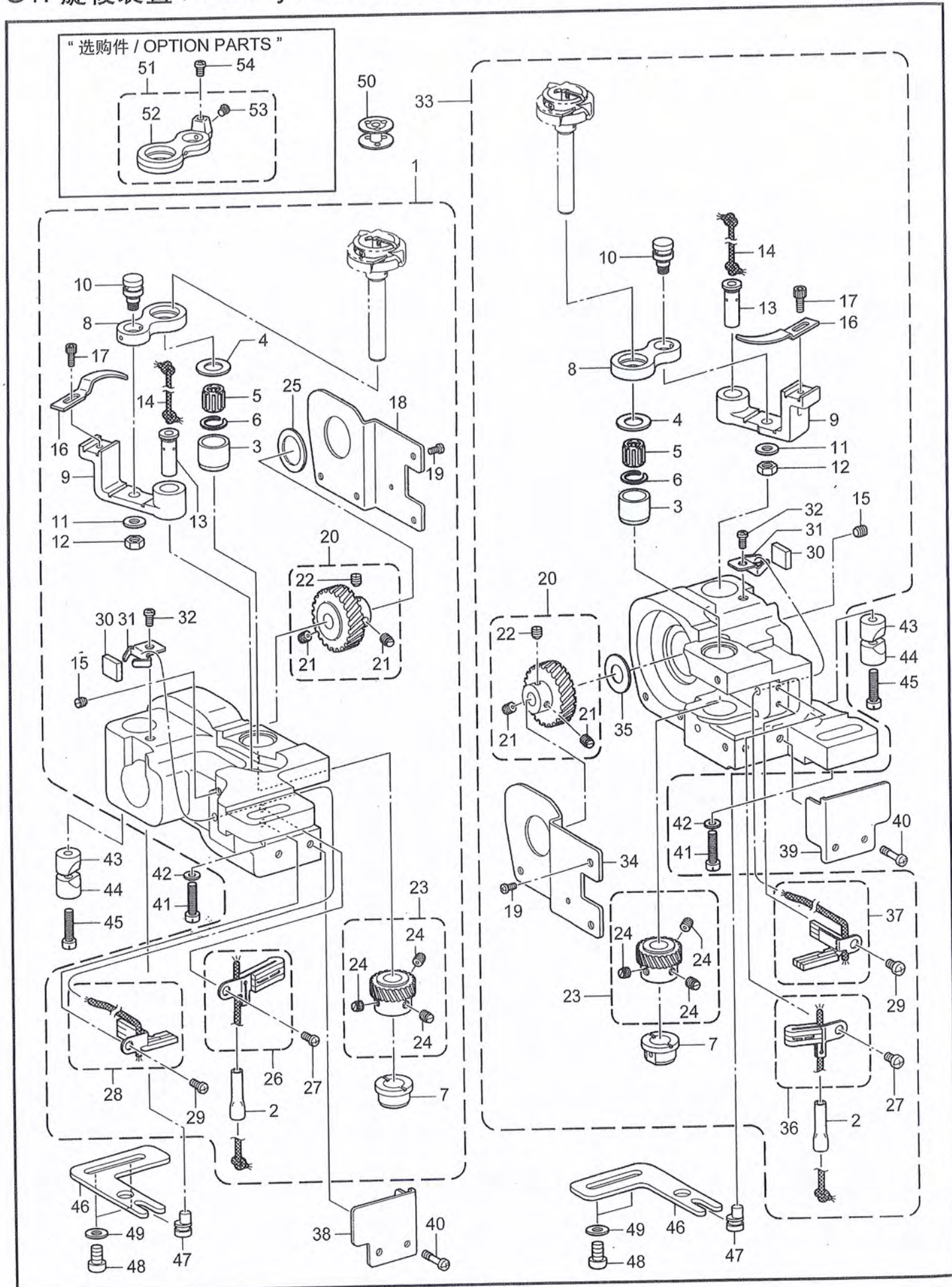


## F. 送轴装置 / Feed shaft mechanism

序号	图号	件号	零部件名称	NAME OF PARTS	数量
1	31F-1	SA3855001	送布轴套 L	BUSH, L:F-ROCKER SHAFT	1
2	31F-2	SA3965001	油毡	FELT	1
3	31F-3	SA4028001	油线 4×4 L=220	WICK, 4×4 L=220	1
4	31F-4	SA2543001	送布轴套 R	FEED ROCKER SHAFT BUSH, R	1
5	31F-5	108802001	油线 4×4 L=250	WICK, 4×4 L=250	1
6	31F-6	SA2544001	螺钉 M6	SET SCREW M6	1
7	A-58	012060636	螺钉 M6×6	SET SCREW, SOCKET (FT) M6×6	1
8	31F-8	SA2546001	紧圈	SET SCREW COLLAR	2
9	31B-10	S23651001	固定螺钉 M6-0.75×6	SET SCREW, SOCKET (FT) M6-0.75×6	4
10	31F-10	SA3840001	送布轴	FEED ROCKER SHAFT	1
11	31F-11	SA3864001	送布台 ST	FEED BAR, ST	1
12	31F-12	SA3886001	送布台叉	FEED BAR FORK	1
13	31F-13	SA2927001	螺钉 M6×14	SCREW, M6×14	1
14	31F-14	025060132	平垫圈 6	WASHER, PLAIN 6	1
15	31F-15	SA2566001	螺钉 M3.5×12	SET SCREW, M3.5×12	1
16	31F-16	021350106	螺母 M3.5	NUT, M3.5	1
17	31F-17	SA2553001	开叉板	FORKED PLATE	1
18	31F-18	SA2554001	调整螺栓 M4	ADJUSTING SCREW, HIGHT M4	1
19	31F-19	062400616	螺钉 M4×6	SCREW, PAN M4×6	1
20	31F-20	SA3990001	油毡	FELT	1
21	31F-21	SA3887001	油毡	FELT	1
22	31F-22	SA3888001	油毡压架	FELT HOLDER	1
23	9F-44	025030132	平垫圈 3	WASHER, PLAIN 3	1
24	31G1-19	062300612	螺钉 M3×5	SCREW, PAN M3×5	1
25	31F-25	SA2550001	送布台安装轴	FEED BAR SHAFT	1
26	31F-26	SA2551001	轴向垫圈	THRUST RING	2
27	A-58	012060636	螺钉 M6×6	SET SCREW, SOCKET (FT) M6×6	1
28	31F-28	SA2555001	水平送布台臂	FEED ROCKER BASE ARM	1
29	31F-29	SA2928001	螺钉 M5×12	SCREW, M5×12	2
30	31F-30	SA4025001	油线 4×4 L=180	WICK, 4×4 L=180	1
31	31F-31	SA2806001	角滑块组件	FEED BAR SLIDE BLOCK ASSY	1
32	31F-32	W01519001	螺钉 M2×4	SCRWE, FLAT M2×4	4
33	31F-33	SA4009001	油线支架	WICK SUPPORT	1
34	31F-19	062400616	螺钉 M4×6	SCREW, PAN M4×6	2
35	31F-35	SA2724001	油绳 L=400	WICK, L=400	1
36	31F-36	SA4011001	维尼龙油管 L=100	OIL TUBE, L=100	1
37	31F-37	SA2754001	<选购件>T-8420A 用于无油型 送布台 ST	<OPTION PARTS> "T-8420A" Dry Type FEED BAR, ST	1
38	31F-38	SA2552001	送布台叉	FEED BAR FORK	1
39	31F-39	062500816	螺钉 M5×8	SCREW, PAN M5×8	1
40	31F-40	062500616	螺钉 M5×6	SCREW, PAN M5×6	1



# G1. 旋梭装置 / Rotary hook mechanism



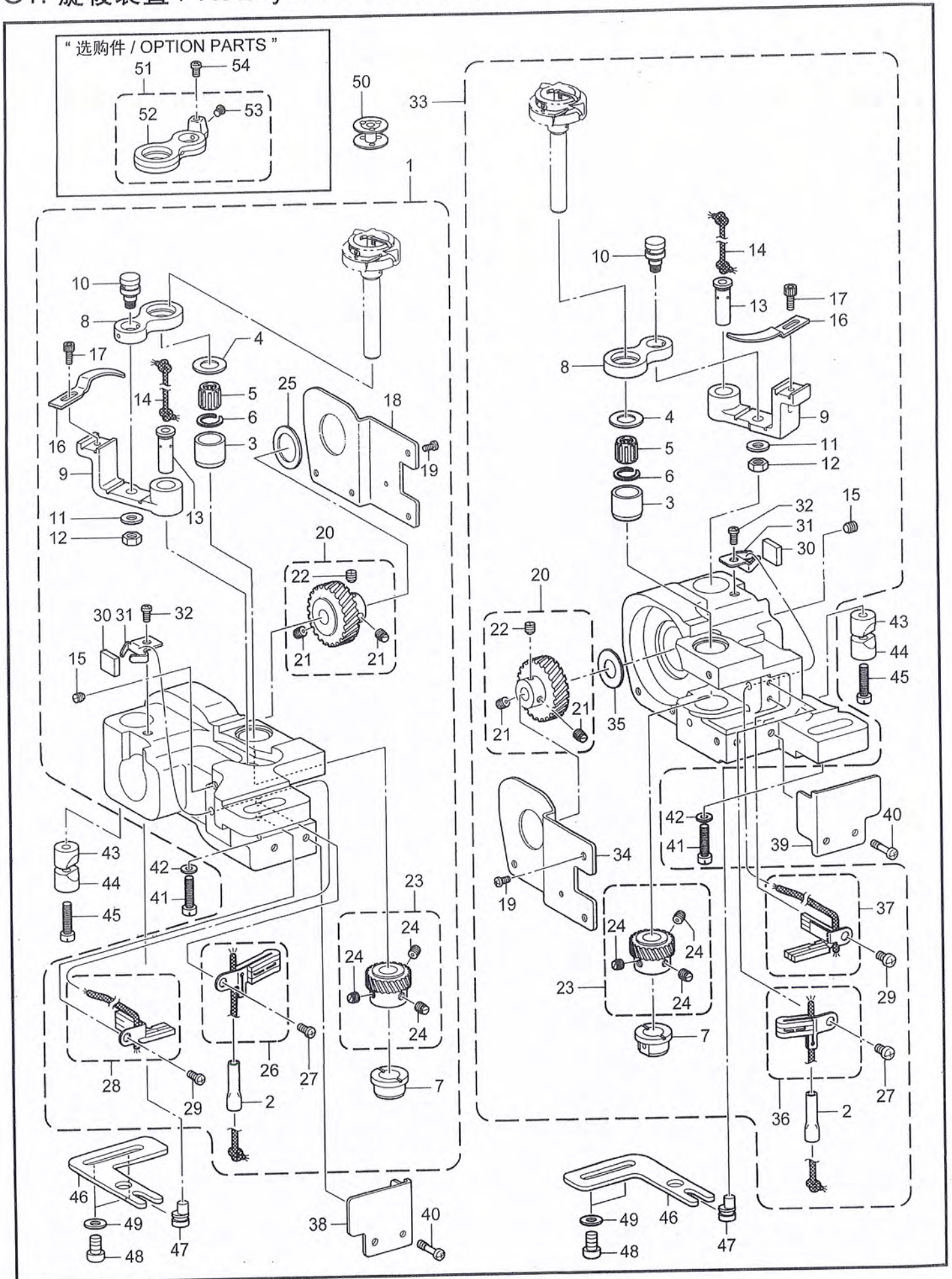


### 31. 旋梭装置 / Rotary hook mechanism

序号	图号	件号	零部件名称	NAME OF PARTS	数量
1	31G1-1	SA2755101	<用于-□□3, -□□F> 旋梭基座组件 842ST (L)	<For "-□□3, -□□F"> ROTARY HOOK BASE ASSY, 842ST (L)	1
1	31G1-1	SA2950101	<用于-□□5> 旋梭基座组件 842ST-5L	<For "-□□5"> ROTARY HOOK BASE ASSY, 842ST-5L	1
2	31G1-2	SA3961001	管	PIPE	1
3	31G1-3	SA4029001	滚针轴承套	ROTARY HOOK SHAFT BUSH	1
4	31G1-4	S09260001	轴向垫圈 1.2	THRUST RING 1.2	1
4	31G1-4	SA4038001	轴向垫圈 1.0	THRUST RING 1.0	1
4	31G1-4	S09261001	轴向垫圈 1.4	THRUST RING 1.4	1
4	31G1-4	SA4444001	轴向垫圈 0.8	THRUST RING 0.8	1
5	31G1-5	S07420000	滚针轴承	NEEDLE BEARING	1
6	31G1-6	S07419001	止动圈	RETAINING RING	1
7	31G1-7	SA2557001	旋梭轴套 D	ROTARY HOOK SHAFT BUSH, D	1
8	31G1-8	SA3856001	分线钩连杆	OPENER LINK	1
9	31G1-9	SA3859001	分线钩杆	OPENER LEVER	1
10	31G1-10	SA2560001	分线钩连杆轴	SHAFT, O-LINK	1
11	31G1-11	025710132	平垫圈 4.76	WASHER, PLAIN 4.76	1
12	C-9	021500316	六角螺母 M5	NUT, M5	1
13	31G1-13	SA3889101	分线钩杆短袖	O-LEVER SHAFT	1
14	31G1-14	SA4026001	油线 4 × 4 L=100	WICK, 4 × 4 L=100	1
15	13D-18	012500536	螺钉 M5 × 5	SET SCREW, SOCKET (FT) M5 × 5	1
16	31G1-16	S38212001	分线钩	OPENER	1
17	31G1-17	154965001	螺钉 9/64-40 × 8	BOLT, SOCKET 9/64-40 × 8	1
18	31G1-18	SA2562101	旋梭基座盖 L	ROTARY HOOK BASE COVER, L	1
19	31G1-19	062300612	螺钉 M3 × 5	SCREW, PAN M3 × 5	4
20	31G1-20	SA4549001	螺旋齿轮 (带螺钉)	SPIRAL GEAR SCREW ASSY	1
21	31G1-21	SA2574001	螺钉 M6-0.75 × 5	SET SCREW, (FT) M6-0.75 × 5	2
22	31G1-22	SA2575001	螺钉 M6-0.75 × 5.7	SET SCREW, (FT) M6-0.75 × 5.7	1
23	31G1-23	SA2576001	人字齿轮组件	PINION GEAR SCREW ASSY	1
24	31G1-21	SA2574001	螺钉 M6-7.5 × 5	SET SCREW, (FT) M6-7.5 × 5	3
25	31G1-25	SA3054001	垫圈	THRUST WASHER	1
26	31G1-26	SA4042001	油毡组件 UL	FELT UL ASSY	1
27	31F-19	062400616	螺钉 M4 × 6	SCREW, PAN M4 × 6	1
28	31G1-28	SA4044001	油毡组件 DL	FELT DL ASSY	1
29	31F-19	062400616	螺钉 M4 × 6	SCREW, PAN M4 × 6	1
30	31G1-30	SA4012001	油毡	FELT	1
31	31G1-31	SA3894001	油毡架	FELT SUPPORT	1
32	31F-19	062400616	螺钉 M4 × 6	SCREW, PAN M4 × 6	1
33	31G1-33	SA2757201	<用于-□□3, -□□F> 旋梭基座组件 845ST (R)	<For "-□□3, -□□F"> ROTARY HOOK BASE ASSY, 845S(R)	1
33	31G1-33	SA2951101	<用于-□□5> 旋梭基座组件 845ST-5R	<For "-□□5"> ROTARY HOOK BASE ASSY, 845ST-5R	1
2	31G1-2	SA3961001	管	PIPE	1
3	31G1-3	SA4029001	滚针轴承套	ROTARY HOOK SHAFT BUSH	1
4	31G1-4	S09260001	轴向垫圈 1.2	THRUST RING 1.2	1
4	31G1-4	SA4038001	轴向垫圈 1.0	THRUST RING 1.0	1
4	31G1-4	S09261001	轴向垫圈 1.4	THRUST RING 1.4	1
4	31G1-4	SA4444001	轴向垫圈 0.8	THRUST RING 0.8	1
5	31G1-5	S07420000	滚针轴承	NEEDLE BEARING	1
6	31G1-6	S07419001	止动圈	RETAINING RING	1
7	31G1-7	SA2557001	旋梭轴套 D	ROTARY HOOK SHAFT BUSH, D	1
8	31G1-8	SA3856001	分线钩连杆	OPENER LINK	1
9	31G1-9	SA3859001	分线钩杆	OPENER LEVER	1
10	31G1-10	SA2560001	分线钩连杆轴	SHAFT, O-LINK	1
11	31G1-11	025710132	平垫圈 4.76	WASHER, PLAIN 4.76	1
12	C-9	021500316	六角螺母 M5	NUT, M5	1
13	31G1-13	SA3889101	分线钩杆短袖	O-LEVER SHAFT	1
14	31G1-14	SA4026001	油线 4 × 4 L=100	WICK, 4 × 4 L=100	1
15	13D-18	012500536	螺钉 M5 × 5	SET SCREW, SOCKET (FT) M5 × 5	1
16	31G1-16	S38212001	分线钩	OPENER	1
17	31G1-17	154965001	螺钉 9/64-40 × 8	BOLT, SOCKET 9/64-40 × 8	1
19	31G1-19	062300612	螺钉 M3 × 5	SCREW, PAN M3 × 5	4



# G1. 旋梭装置 / Rotary hook mechanism

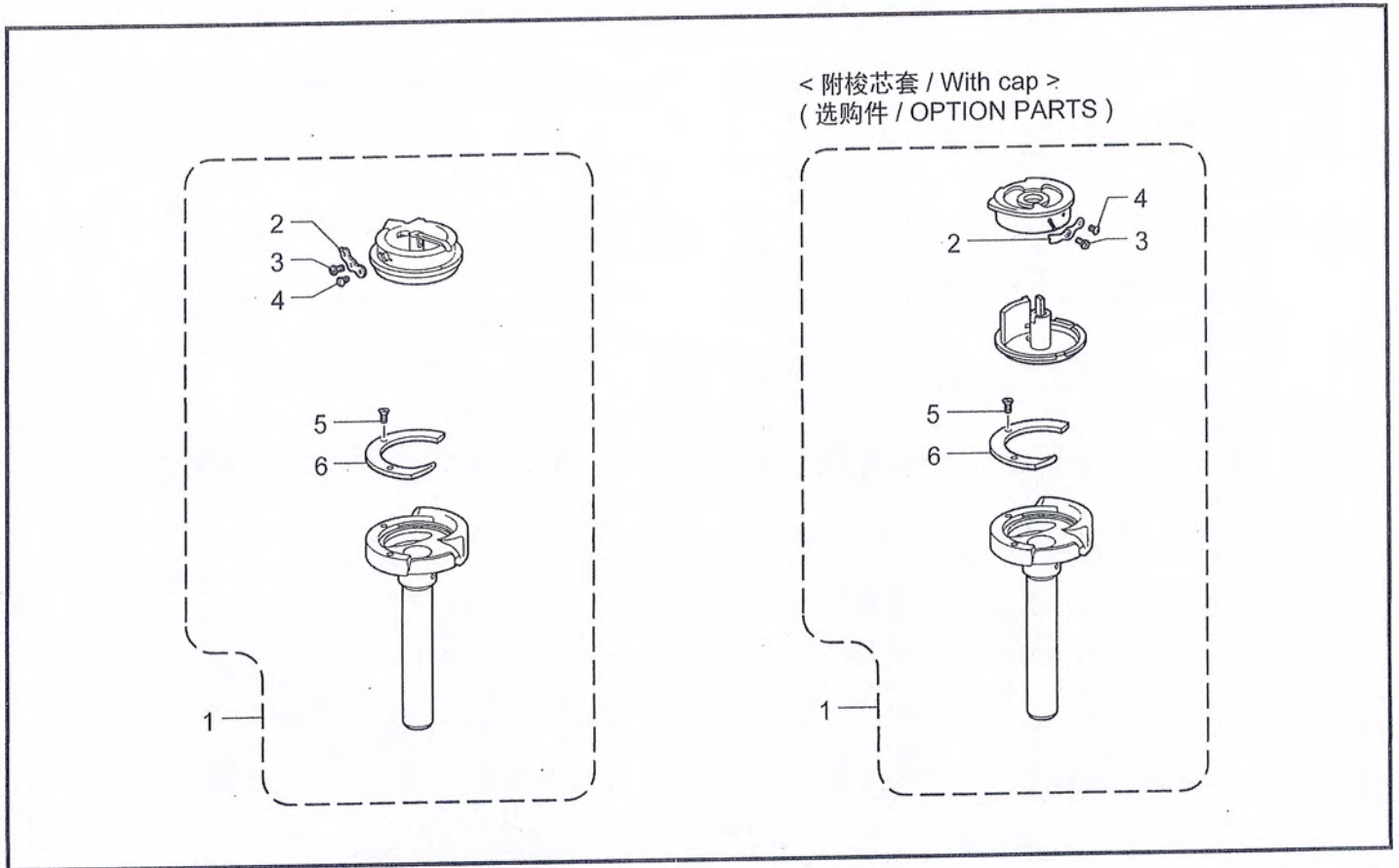




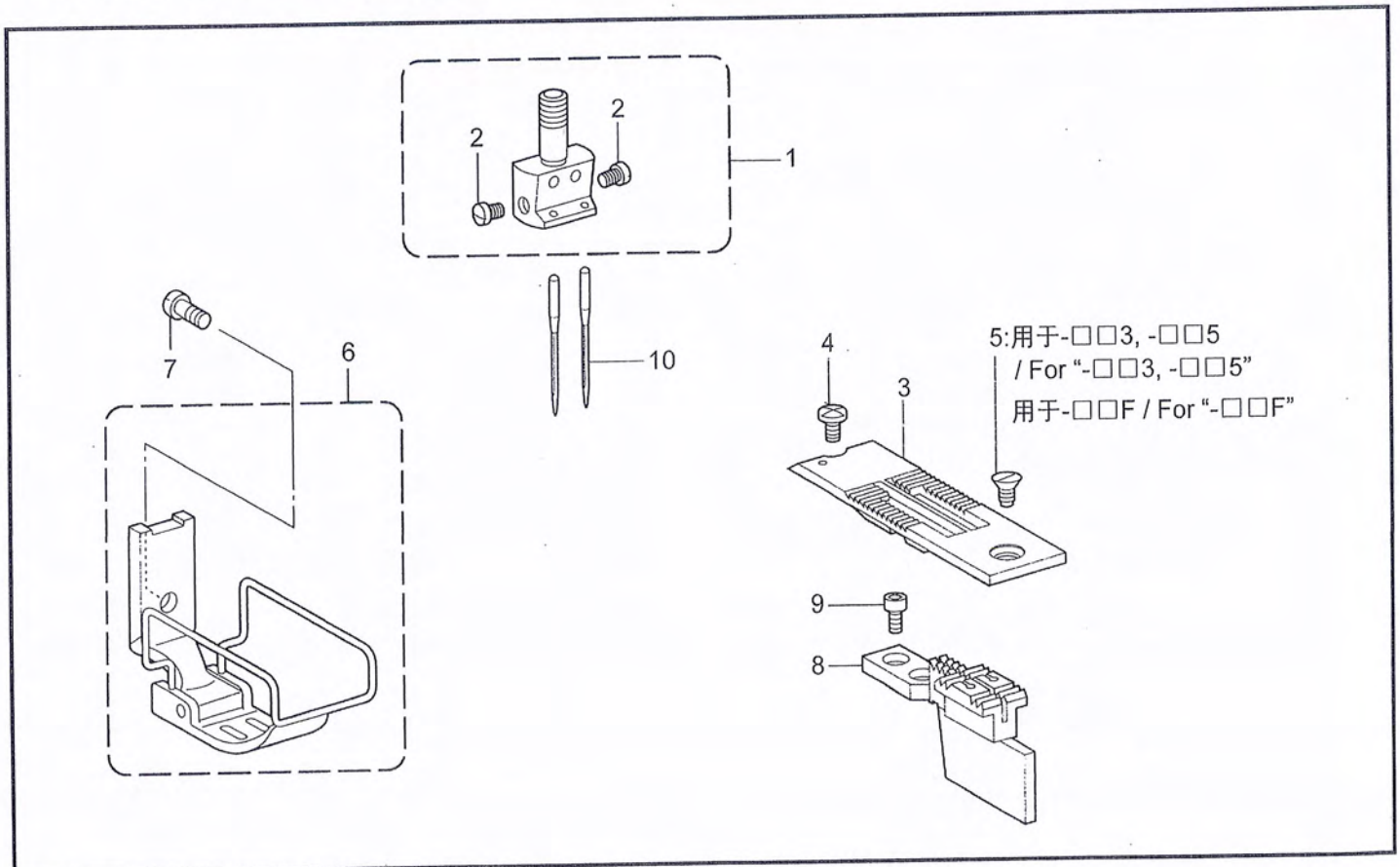
# G1. 旋梭装置 / Rotary hook mechanism

序号	图号	件号	零部件名称	NAME OF PARTS	数量
20	31G1-20	SA4549001	螺旋齿轮(带螺钉)	SPIRAL GEAR SCREW ASSY	1
21	31G1-21	SA2574001	螺钉 M6-0.75×5	SET SCREW, (FT) M6-0.75×5	2
22	31G1-22	SA2575001	螺钉 M6-0.75×5.7	SET SCREW, (FT) M6-0.75×5.7	1
23	31G1-23	SA2576001	人字齿轮组件	PINION GEAR SCREW ASSY	1
24	31G1-24	SA2574001	螺钉 M6-0.75×5	SET SCREW, (FT) M6-0.75×5	3
27	31G1-27	062400616	螺钉 M4×6	SCREW, PAN M4×6	1
29	31G1-29	062400616	螺钉 M4×6	SCREW, PAN M4×6	1
30	31G1-30	SA4012001	油毡	FELT	1
31	31G1-31	SA3894001	油毡架	FELT SUPPORT	1
32	31G1-32	062400616	螺钉 M4×6	SCREW, PAN M4×6	1
34	31G1-34	SA2563101	旋梭底座盖 R	ROTARY HOOK BASE COVER, R	1
35	31G1-35	SA2579001	垫圈	SPECER	1
36	31G1-36	SA4043001	油毡组件 UR	FELT UR ASSY	1
37	31G1-37	SA4045001	油毡组件 DR	FELT DR ASSY	1
38	31G1-38	SA3988001	旋梭底座盖 FL	ROTARY HOOK BASE COVER, FL	1
39	31G1-39	SA3916001	旋梭底座盖 FR	ROTARY HOOK BASE COVER, FR	1
40	31G1-40	SA2825001	螺钉 M3×12	SCREW, M3×12	4
41	31G1-41	SA2556001	螺钉 M6×25	SCREW, M6×25	2
42	31G1-42	115947001	垫圈 6.35	WASHER, PLAIN 6.35	2
43	31G1-43	SA2722001	套管 A	PINCH SLEEVE A	2
44	31G1-44	SA2565001	套管 B	PINCH SLEEVE B	2
45	31G1-41	SA2556001	螺钉 M6×25	SCREW, M6×25	2
46	31G1-46	SA2567001	调节板	NEEDLE UPPER POSITIONING PLATE	2
47	31G1-47	SA2568001	调节轴	NEEDLE UPPER POSITIONING SHAFT	2
48	31G1-48	062061016	螺钉 M6×10	SCREW, PAN M6×10	4
49	31G1-49	025060136	平垫圈 6	WASHER, PLAIN 6	4
50	31G1-50	S01928151	梭芯	BOBBIN	2
51	31G1-51	SA2827001	<选购件>用于无油型 分线钩连杆组件	<OPTION PARTS> For dry type OPENER LINK ASSY	2
52	31G1-52	SA2558001	分线钩连杆	OPENER LINK	2
53	31G1-53	S58900000	螺钉 M2	SCREW, M2	2
54	31G1-54	062400416	螺钉 M4×4	SCREW, M4×4	2

## G2. 旋梭装置 / Rotary hook mechanism



## H. 定规部件 / Gauge parts





## G2. 旋梭装置 / Rotary hook mechanism

序号	图号	件号	零部件名称	NAME OF PARTS	数量
1	31G2-1	*	旋梭盒组件	ROTARY HOOK ASSY	1
2	31G2-2	*	调整簧	TENSION SPRING	1
3	31G2-3	*	螺钉	TENSION ADJUSTING SCREW	1
4	31G2-4	151030001	螺钉	SET SCREW	1
5	31G2-5	151027001	螺钉	SET SCREW	2
6	31G2-6	S07746001	内梭夹	INNER ROTARY HOOK HOLDER	1

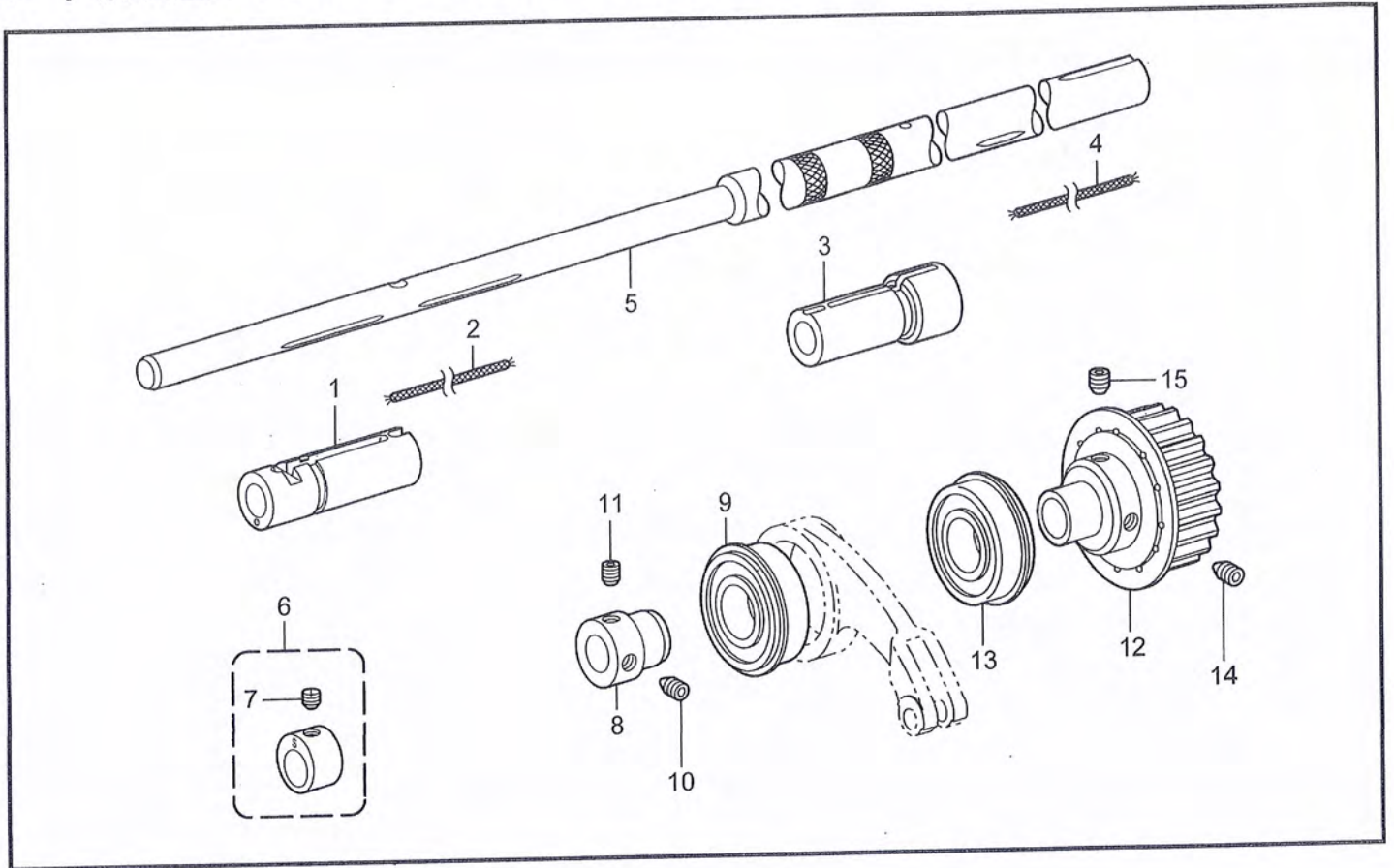
带 \* 记号的请参考不同规格零部件一览表 (P. 34)。  
As for symbol \* look it up in the different parts list on page 34.

## H. 定规部件 / Gauge parts

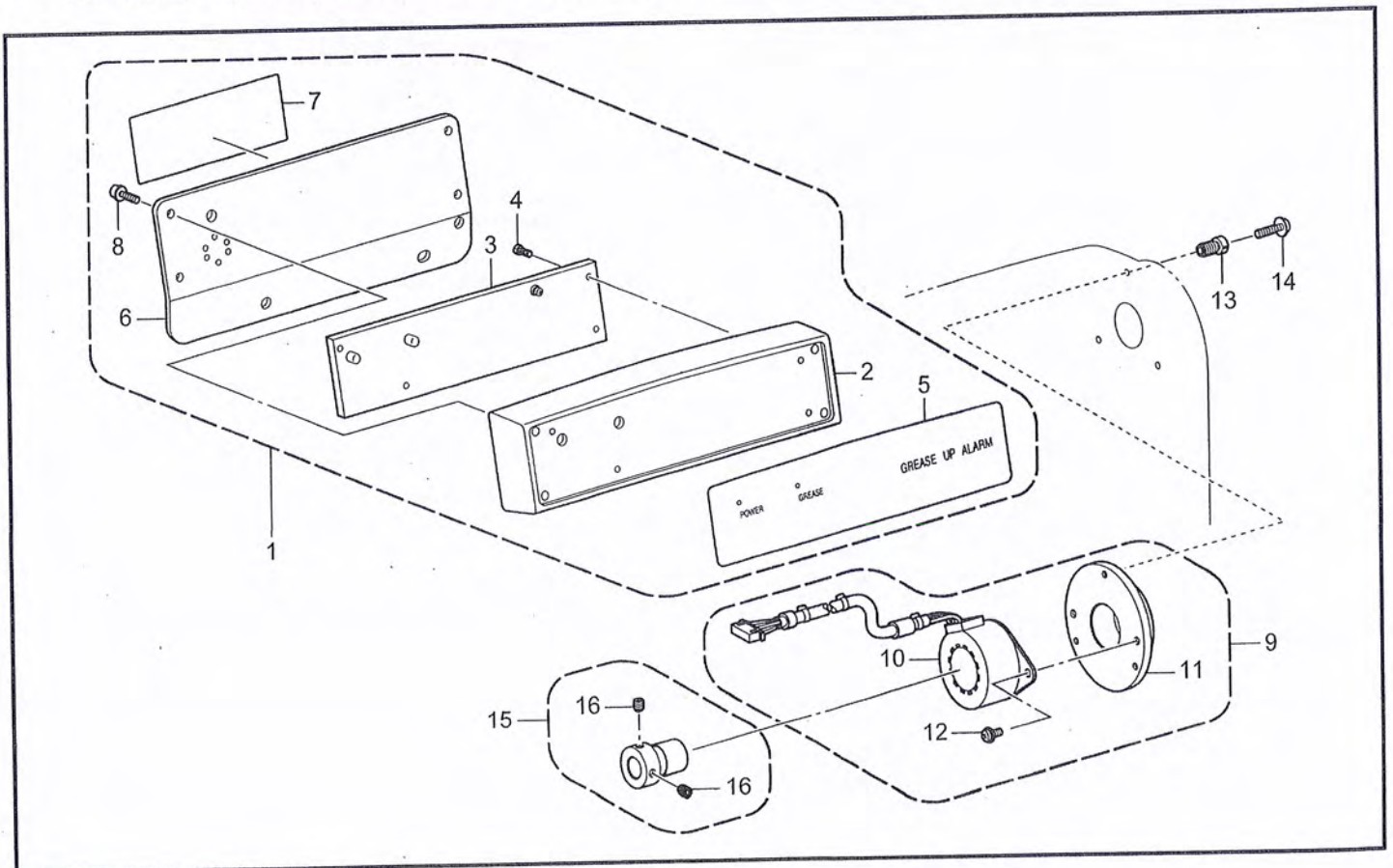
序号	图号	件号	零部件名称	NAME OF PARTS	数量
1	31H-1	*	针夹组件	NEEDLE CLAMP ASSY	1
2	31H-2	116323001	螺钉 9/64-40 × 4	SCREW, 9/64-40 × 4	2
3	31H-3	*	针板	NEEDLE PLATE	1
4	12P-44	S11244001	螺钉 11/64-40 × 6.8 <用于-□□3, -□□5>	SCREW, 11/64-40 × 6.8 <For "-□□3, -□□5">	1
5	10C-13	100032004	螺钉 11/64-40 × 8.5 <用于-□□F>	SCREW, FLAT 11/64-40 × 8.5 <For "-□□F">	1
5	10C-13	117160001	螺钉 11/64-40 × 8.5	SCREW, FLAT 11/64-40 × 8.5	1
6	31H-6	*	压脚组件	PRESSER FOOT ASSY	1
7	31H-7	113050001	螺钉 9/64-40	SCREW, 9/64-40	1
8	31H-8	*	送布牙	FEED DOG	1
9	31H-9	S07494001	螺钉 1/8-44 × 7	SCREW, 1/8-44 × 7	2
10	31H-10		机针		2

带 \* 记号的请参考工模具一览表 (P. 35~41)。  
As for symbol \* look it up in the gauge parts list on page 35-41.

## J. 下轴装置 / Lower shaft mechanism



## K. 电气部件装置(-□3□) / Power supply equipment mechanism (For"-□3□")





## J. 下轴装置 / Lower shaft mechanism

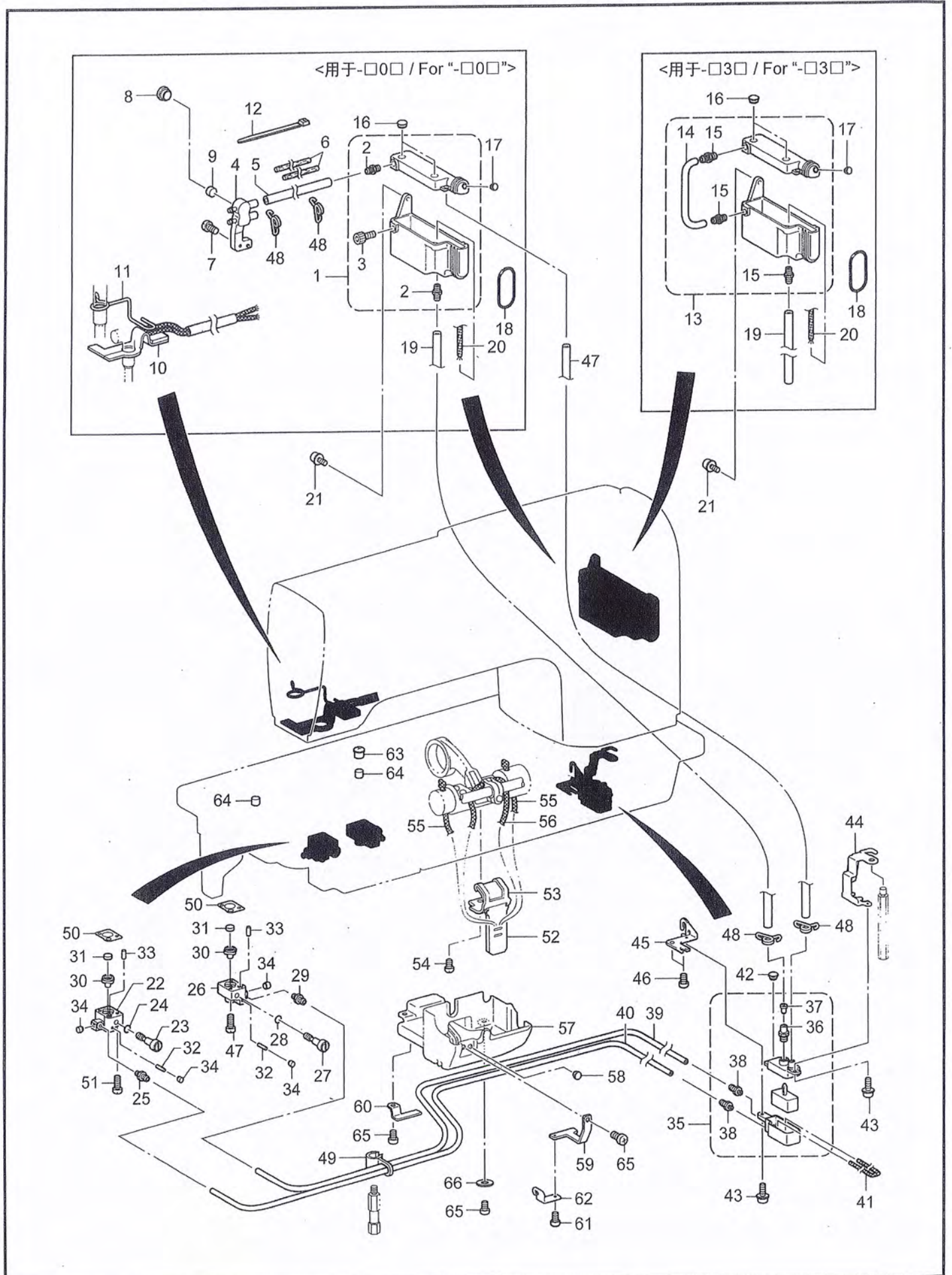
序号	图号	件号	零部件名称	NAME OF PARTS	数量
1	31J-1	SA3890001	旋梭基座轴套 L	ROTARY HOOK BASE BUSH, L	1
2	31J-2	S38481000	油线 L=41	WICK, L=41	1
3	31J-3	SA3891001	旋梭基座轴套 R	ROTARY HOOK BASE BUSH, R	1
4	31J-2	S38481000	油线 L=41	WICK, L=41	1
5	31J-5	SA2571001	下轴	LOWER SHASFT	1
6	31J-6	SA2759001	拾压凸轮组件	F-LIFTING ECCENTRIC WHEEL ASSY	1
7	31G1-22	SA2575001	螺钉 M6-0.75 × 5.7	SET SCREW, (FT) M6-0.75 × 5.7	1
8	31J-8	SA2584001	轴承套	BALL BEARING BUSH	1
9	31B-4	072600480	球轴承 6004ZZNR	BALL BEARING, THRUST 6004ZZ	1
10	31E-12	SA2585001	固定螺钉 M6-0.75 × 10	SET SCREW, SOCKET (FT) M6-0.75 × 10	1
11	31B-12	S25236001	固定螺钉 M6-0.75 × 10	SET SCREW, SOCKET (FT) M6-0.75 × 10	1
12	31J-12	SA2587001	下轴同步轮组件	TIMING PULLEY ASSY	1
13	13B-24	158115001	球轴承 6204ZZNR	BALL BEARING, 6204ZZNR	1
14	31E-12	SA2585001	固定螺钉 M6-0.75 × 10	SET SCREW, SOCKET (FT) M6-0.75 × 10	1
15	31B-12	SA4213001	固定螺钉 M6-0.75 × 10	SET SCREW, SOCKET (CP) M6-0.75 × 10	1

## K. 电气部件装置(-□3□) / Power supply equipment mechanism (For"-□3□")

序号	图号	件号	零部件名称	NAME OF PARTS	数量
1	31K-1	J04352001	警报器组件	ALARM DISPLAY ASSY	1
2	31K-2	J04353001	警报器盒	ALARM DISPLAY CASE	1
3	31K-3	J04357001	警报器表示基板组件	PCB ASSY, ALARM DISPLAY	1
4	31K-4	037300816	螺销 M3 × 8	TAPPING SCREW, PAN V M3 × 8	4
5	31K-5	J04355001	警报器指示牌	ALARM LABEL	1
6	31K-6	J04354001	警报器安装架	ALARM DISPLAY HOLDER	1
7	31K-7	J04356001	警报说明表	RESET LABEL	1
8	31K-8	J04273001	螺栓 (带垫圈) M4 × 10DB	SCREW, PAN (S/P WASHER) M4 × 10	4
9	31K-9	J04310001	PM 定子总组件 4843	PM STATOR BASE ASSY, 484323	1
10	31K-10	J04340001	PM 定子组件 484323	PM STATOR ASSY, 484323	1
11	31K-11	J04339001	PM 定子机座	PM STATOR BASE	1
12	31K-12	0A4400806	螺栓 (带垫圈) M4 × 8DA	SCREW, PAN (S/P WASHER) M4 × 8	2
13	31K-13	J04338001	螺栓 M8 × 18	SPACER M8 × 18	3
14	31K-14	0A4402506	螺栓 (带垫圈) M4 × 25DA	SCREW, PAN (S/P WASHER) M4 × 25	3
15	31K-15	J04311001	转子组件 D22.5P24	ROTOR ASSY, D22.5P24	1
16	31K-16	012060636	螺钉 M6 × 6	SET SCREW, SOCKET(FT) M6 × 6	2



# L. 供油润滑装置 / Lubrication



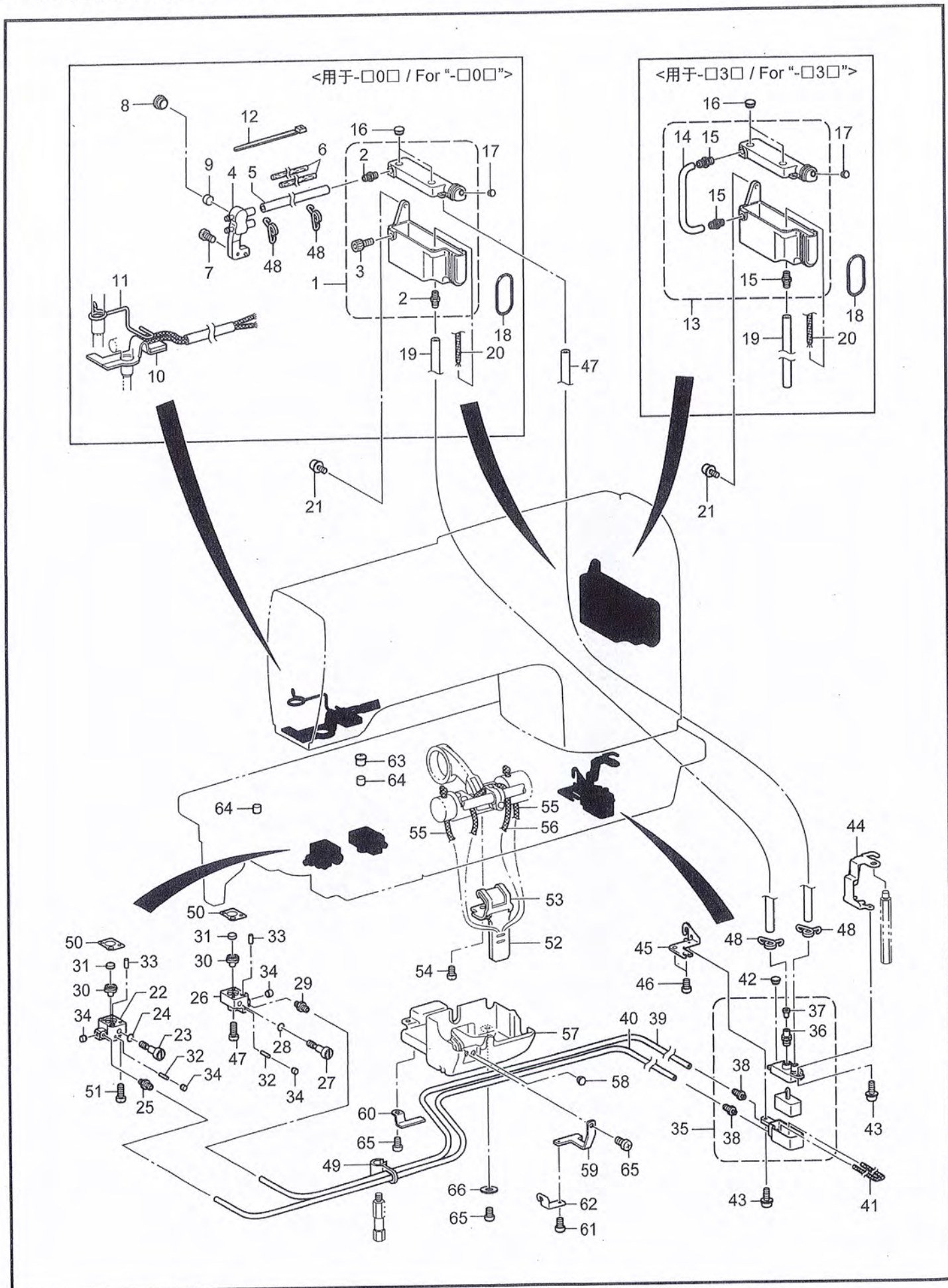


# L. 供油润滑装置 / Lubrication

序号	图号	件号	零部件名称	NAME OF PARTS	数量
1	31L-1	SA4205001	<用于-□0□> 油罐组件	<For "-□0□"> OIL TANK ASSY	1
2	31L-2	S51815001	供油口 8.6	OIL FEEDING PIPE, 8.6	2
3	31L-3	018081236	螺栓 M8 × 12	BOLT, SOCKET M8 × 12	1
4	31L-4	SA3946001	油管接头	OIL TERMINAL	1
5	31L-5	SA2956001	维尼龙油管 L=135	OIL TUBE, L=135	1
6	31L-6	SA2957001	油毡	FELT	2
7	31A-5	062500816	螺钉 M5 × 8	SCREW, PAN M5 × 8	1
8	31A-4	SA2929001	橡皮塞 12.5	RUBBER CAP, 12.5	1
9	31L-9	S38266000	油毡	ROTARY HOOK SHAFT FELT	1
10	31L-10	SA4215001	油毡组件	FELT ASSY	1
11	31L-11	SA4033001	油毡压架	FELT SUPPORT	1
12	31L-12	228475000	电线夹 1.9 × 80	FASTENING BAND 1.9 × 80	1
13	31L-13	SA2814101	<用于-□3□> 油罐组件	<For "-□3□"> OIL TANK ASSY	1
14	31L-14	SA3949001	维尼龙油管 L=50	OIL TUBE, L=50	1
15	31L-15	S51815001	供油口 8.6	OIL FEEDING PIPE, 8.6	3
16	31A-4	SA2929001	橡皮塞 12.5	RUBBER CAP, 12.5	2
17	31L-17	104450101	橡皮塞 8	RUBBER CAP, 8	1
18	31L-18	081038070	O型圈 38	O RING 38	1
19	31L-19	SA2723001	维尼龙油管 L=210	OIL TUBE, L=210	1
20	31F-35	SA2724001	油线 L=400	WICK, L=400	1
21	31L-21	OA5501006	螺栓 (带垫圈) M5 × 10DB	SCREW, PAN (S/P WASHER) M5 × 10	2
22	31L-22	SA3896001	集油器 L	OIL BLOCK, L	1
23	31L-23	SA2599001	油量调整螺栓 M6-0.75	OIL ADJUSTING SCREW M6-0.75	1
24	31L-24	081004070	O型圈 4	O RING 4	1
25	31L-25	SA3147001	油嘴管 2.5	OIL FEEDING PIPE 2.5	1
26	31L-26	SA3898001	集油器 R	OIL BLOCK, R	1
27	31L-23	SA2599001	油量调整螺栓 M6-0.75	OIL ADJUSTING SCREW M6-0.75	1
28	31L-24	081004070	O型圈 4	O RING 4	1
29	31L-25	SA3147001	油嘴管 2.5	OIL FEEDING PIPE 2.5	1
30	31L-30	SA3061001	橡皮垫片	RUBBER PACKING	2
31	31L-31	SA2727101	旋梭轴垫片	ROTARY HOOK SHAFT FELT	2
32	31L-32	S05246000	油毡	FELT	2
33	31L-32	148743001	油毡	FELT	2
34	31L-34	142274101	橡皮塞 4.2	RUBBER CAP, 4.2	4
35	31L-35	SA3037001	副油灌组件	SUB-TANK ASSY	1
36	31L-2	SA3040001	油嘴管	OIL FEEDING PIPE	1
37	31L-37	SA3060001	油门垫片	VALVE PACKING	1
38	31L-25	SA3147001	油嘴管 2.5	OIL FEEDING PIPE 2.5	2
39	31L-39	SA2596001	油管 L=400	OIL TUBE, L=400	1
40	31L-40	SA2597001	油管 L=500	OIL TUBE, L=500	1
41	31L-41	SA2598001	油绳 L=1100	WICK, L=1100	1
42	31L-17	104450101	橡皮塞 8	RUBBER CAP, 8	1
43	31L-43	0A4400806	螺栓 (带垫圈) M4 × 8DA	SCREW, PAN (S/P WASHER) M4 × 8	2
44	31L-44	SA3045101	副油罐安装架 A	SUB-TANK SETTING PLATE, A	1
45	31L-45	SA3046001	副油罐安装架 B	SUB-TANK SETTING PLATE, B	1
46	31E-7	062060816	螺钉 M6 × 8	SCREW, PAN M6 × 8	2
47	31L-47	SA3044001	维尼龙油管 L=242	OIL TUBE, L=242	1
48	31L-48	SA3055101	油管架	TUBE CLIP	4
49	31L-49	SA3047001	油管固定夹	TUBE SUPPORT	1
50	31L-50	SA3923001	旋梭台D垫片	ROTARY HOOK BASE D PACKING	2
51	31L-51	062401616	螺钉 M4 × 16	SCREW, PAN M4 × 16	4
52	31L-52	SA2604001	油毡	FEED REGULATOR FELT	1
53	31L-53	SA2605001	油毡压架	FELT SUPPORT	1
54	31A-9	062500616	螺钉 M5 × 6	SCREW, PAN M5 × 6	1
55	31F-5	108802001	油线 4 × 4 L=250	WICK, 4 × 4 L=250	2
56	31L-56	108801001	油绳 4 × 4 L=350	WICK, 4 × 4 L=350	1
57	31L-57	SA2606101	油盖	OIL COVER	1
58	31L-17	104450101	橡皮塞 8	RUBBER CAP, 8	1
59	31L-59	SA3048101	油管压架 A	TUBE SUPPORT, A	1



# L. 供油润滑装置 / Lubrication



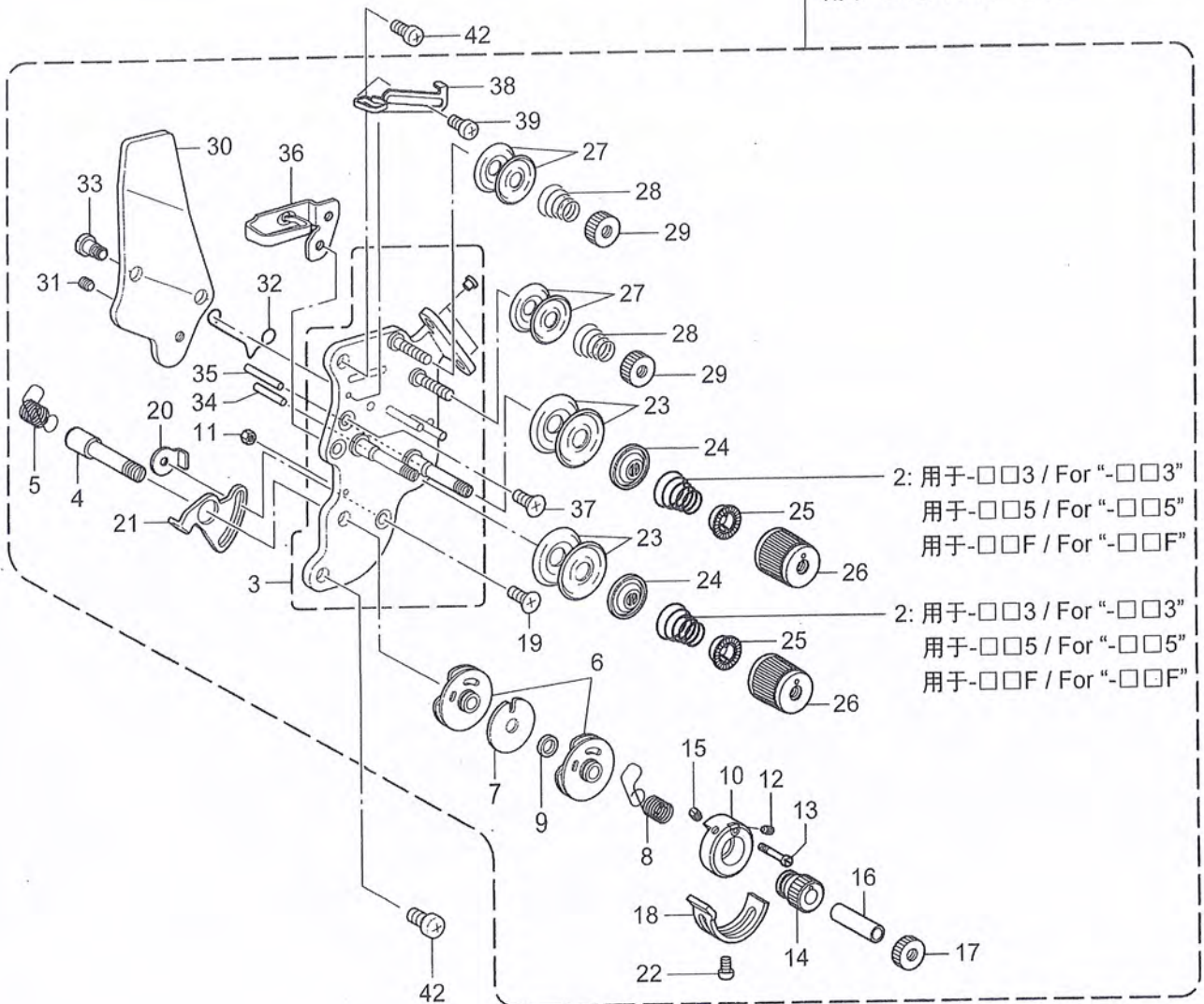


# L. 供油润滑装置 / Lubrication

序号	图号	件号	零部件名称	NAME OF PARTS	数量
60	31L-60	SA3049001	油管压架 B	TUBE SUPPORT, B	1
61	31F-19	062400616	螺钉 M4 × 6	SCREW, PAN M4 × 6	2
62	31L-62	SA4014001	油管导向	TUBE GUIDE	1
63	31L-63	140890009	油盖	OIL CAP	1
64	31L-64	112753001	油毡	FELT	2
65	31G1-48	062061016	螺钉 M6 × 10	SCREW, PAN M6 × 10	3
66	31L-66	025060236	平垫圈 6	WASHER, PLAIN 6	1

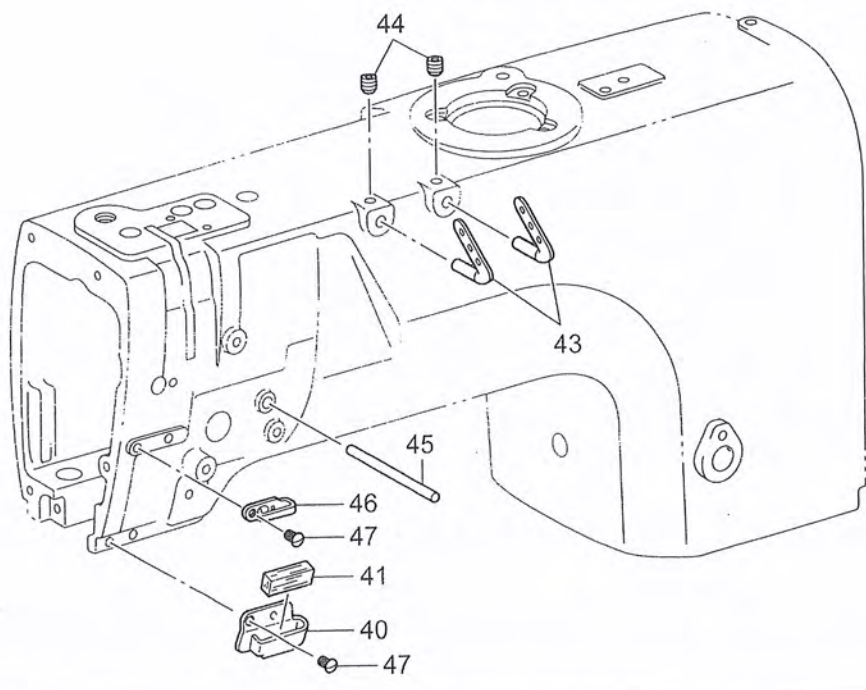
# M. 穿线装置 / Threading mechanism

1: 用于-□□3 / For "-□□3"  
 用于-□□5 / For "-□□5"  
 用于-□□F / For "-□□F"



2: 用于-□□3 / For "-□□3"  
 用于-□□5 / For "-□□5"  
 用于-□□F / For "-□□F"

2: 用于-□□3 / For "-□□3"  
 用于-□□5 / For "-□□5"  
 用于-□□F / For "-□□F"

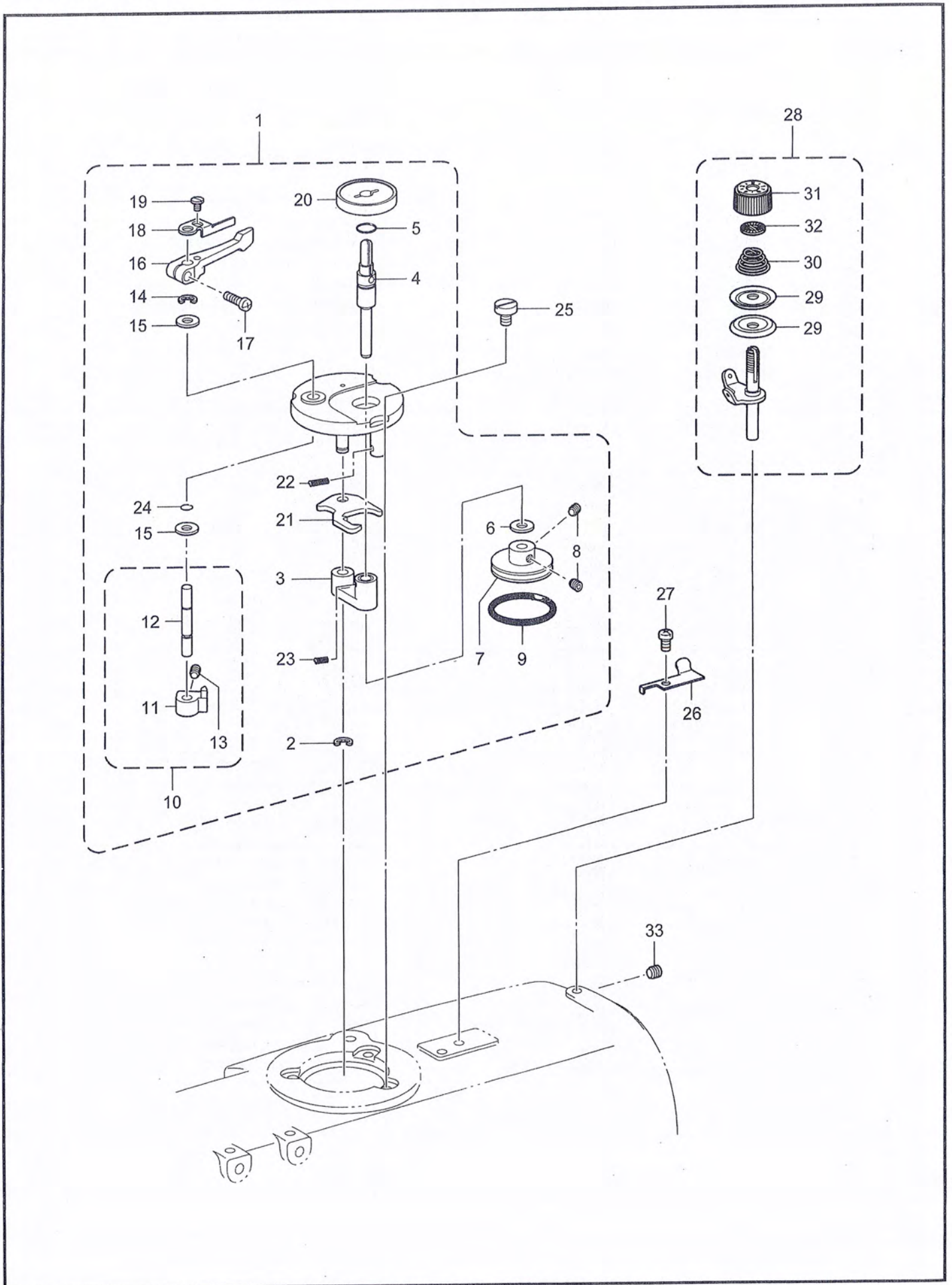




# M. 穿线装置 / Threading mechanism

序号	图号	件号	零部件名称	NAME OF PARTS	数量
1	31M-1	SA3417001	<用于-□□3> 面调节线组件 -3	<For "-□□3"> UPPER THREAD TENSION ASSY, -3	1
2	31M-2	SA3415001	弹簧 L	TENSION SPRING, L	2
1	31M-1	SA2607001	<用于-□□5> 面调节线组件 -5	<For "-□□5"> UPPER THREAD TENSION ASSY, -5	1
2	31M-2	SA3416001	弹簧 LL	TENSION SPRING, LL	2
1	31M-1	SA2818001	<用于-□□F> 面调节线组件 -1	<For "-□□F"> UPPER THREAD TENSION ASSY, -1	1
2	31M-2	SA3414001	弹簧 M	TENSION SPRING, M	2
3	31M-3	SA4212001	调整台组件	TENSION PLATE ASSY	1
4	31M-4	SA2613001	调整短轴	TENSION STUD	1
5	31M-5	SA2614001	弹簧 L	THREAD TAKE-UP SPRING, L	1
6	31M-6	SA2615001	导向组件	GUIDE ASSY, T/TAKE-UP SPRING	2
7	31M-7	SA2619001	垫块	SPACER	1
8	31M-8	SA2623001	弹簧 R	THREAD TAKE-UP SPRING, R	1
9	31M-9	SA2620001	轴套	COLLAR	1
10	31M-10	SA2621001	定位圈	STOPPER SUPPORT	1
11	31M-11	021300106	螺母 M3	NUT, M3	1
12	31M-12	SA2626001	螺钉 M3.5 × 6	SET SCREW, (CP) M3.5 × 6	1
13	31M-13	SA2624001	固定螺栓	SPRING GUIDE SET SCREW	1
14	31M-14	SA2625001	调节旋钮	ADJUSTING THUMB	1
15	31M-15	SA2626001	螺钉 M3.5 × 6	SET SCREW, (CP) M3.5 × 6	1
16	31M-16	SA2627001	轴套	COLLAR	1
17	31M-17	SA2628001	夹线螺母	TENSION NUT	1
18	31M-18	SA2629001	弹簧限位板	STOPPER	1
19	31M-19	061350616	螺钉 M3.5 × 6	SCREW, FLAT M3.5 × 6	1
20	31M-20	SA2824001	定位板	WHIRL-STOP	1
21	31M-21	SA2630001	限位板	STOPPER	1
22	31M-22	062350512	螺钉 M3.5 × 5	SCREW, PAN M3.5 × 5	1
23	31N-29	145446001	夹线盘	DISC, TENSION	4
24	31M-24	159805001	夹线压盘	TENSION DISC PRESSER	2
25	31M-25	S20681000	调节弹簧垫圈	WASHER	2
26	31M-26	S20682105	调节旋钮	ADJUSTING THUMB	2
27	31M-27	144504001	小夹线垫片	THREAD GUIDE DISC	4
28	31M-28	154560001	小夹线弹簧	PRE-TENSION SPRING	2
29	31M-29	155510001	夹线螺母	TENSION NUT	2
30	31M-30	SA2632001	松线板	TENSION RELEASE PLATE	1
31	13D-18	012500536	螺钉 M5 × 5	SET SCREW, SOCKET (FT) M5 × 5	1
32	31M-32	S38274001	松线弹簧	T-RELEASE SPRING	1
33	31M-33	SA2633001	松线板螺钉	T-RELEASE SCREW	2
34	31M-34	SA4506001	松线销 L	TENSION RELEASE PIN, L	1
35	31M-35	SA4507001	松线销 R	TENSION RELEASE PIN, R	1
36	31M-36	SA2634001	线导向 U	THREAD GUIDE, U:ARM	1
37	31M-19	061350616	螺钉 M3.5 × 6	SCREW, FLAT M3.5 × 6	2
38	31M-38	SA2635001	线调整	THREAD QUANTITY ADJUST	1
39	31M-39	062300616	螺钉 M3 × 6	SCREW, PAN M3 × 6	1
40	31M-40	SA2639001	线导向 D	THREAD GUIDE, D:ARM	1
41	31M-41	114941001	过线钩油毡	FELT	1
42	31A-5	062500816	螺钉 M5 × 8	SCREW, PAN M5 × 8	2
43	31M-43	SA2636001	三眼线勾	THREAD RETAINER	2
44	A-58	012060636	螺钉 M6 × 6	SET SCREW, SOCKET (FT) M6 × 6	2
45	31M-45	SA2637001	松线轴	BAR, TENSION RELEASE	1
46	31M-46	SA2638001	线导向 M	THREAD GUIDE, M:ARM	1
47	31M-47	SA2640001	螺钉 M5 × 8	SCREW, FLAT M5 × 8	2

# N. 卷线装置 / Bobbin winder mechanism





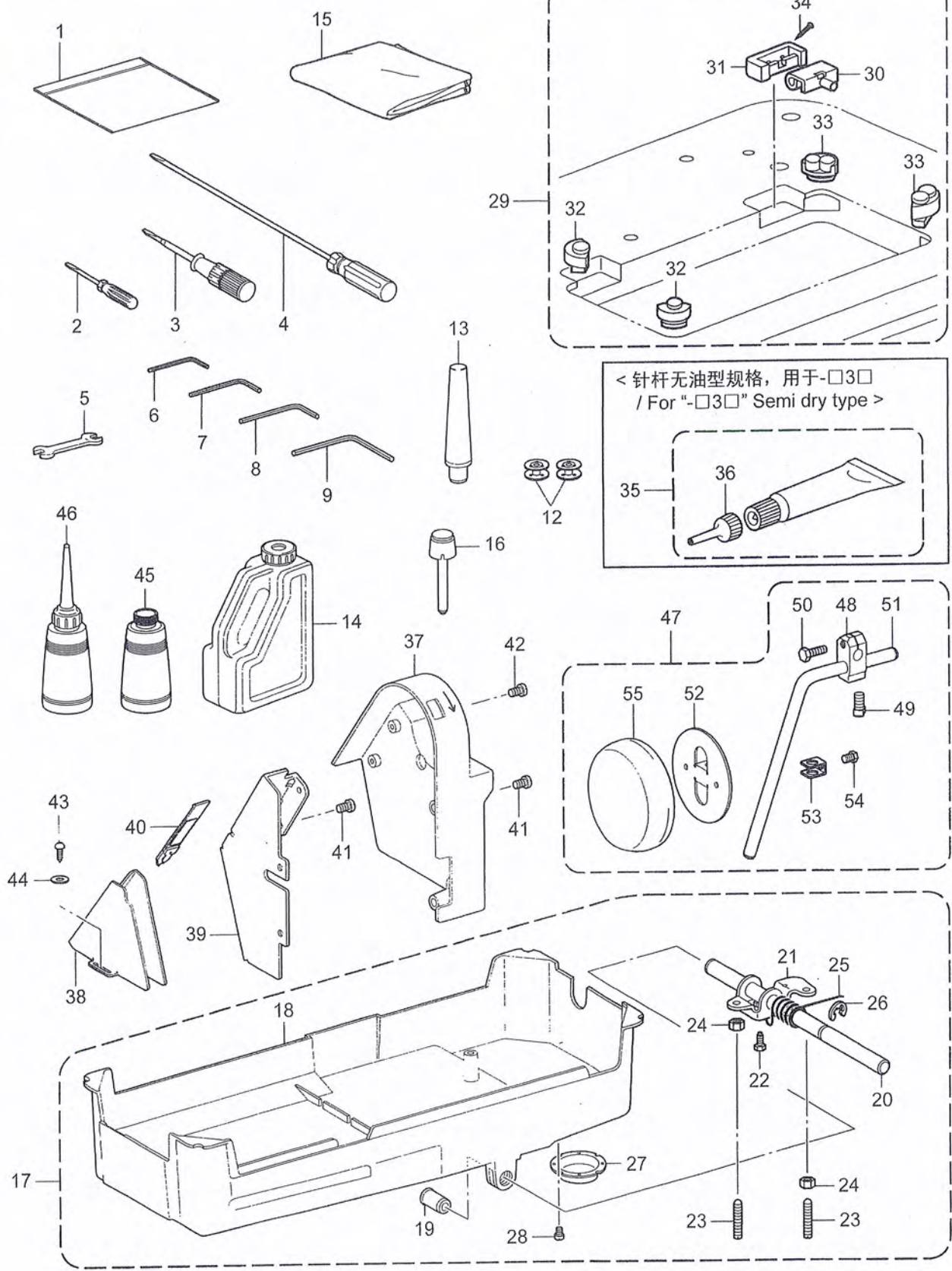
# N. 卷线装置 / Bobbin winder mechanism

序号	图号	件号	零部件名称	NAME OF PARTS	数量
1	31N-1	SA1971101	卷线器组合件	BOBBIN WINDER UNIT	1
2	31N-2	048040342	挡圈 4	RETAINING RING, 4	1
3	31N-3	SA1975001	卷线轴基座组件	B-WINDER SHAFT SUPPORT ASSY	1
4	31N-4	SA1978001	卷线轴	BOBBIN WINDER SHAFT	1
5	31N-5	081009070	O型圈 9	O RING, 9	1
6	31G1-49	025060136	平垫圈 6	WASHER, PLAIN 6	1
7	31N-7	SA1980001	卷线轮	BOBBIN WINDER WHEEL	1
8	13D-18	012500536	螺钉 M5 × 5	SET SCREW, SOCKET (FT) M5 × 5	2
9	31N-9	S25789000	橡皮垫圈 29	RUBBER RING, 29	1
10	31N-10	SA1981101	梭芯夹凸轮组件	BOBBIN PRESSER CAM ASSY	1
11	31N-11	SA1982101	梭芯夹凸轮	BOBBIN PRESSER CAM	1
12	31N-12	SA1983001	梭芯夹轴	BOBBIN WINDER ARM SHAFT	1
13	13D-18	012500536	螺钉 M5 × 5	SET SCREW, SOCKET (FT) M5 × 5	1
14	31N-2	048040342	挡圈 4	RETAINING RING, 4	1
15	31G1-49	025060136	平垫圈 6	WASHER, PLAIN 6	2
16	31N-16	SA1984001	梭芯压臂柄	BOBBIN PRESSER ARM	1
17	31N-17	062401216	螺钉 M4 × 12	SCREW PAN M4 × 12	1
18	31N-18	SA1985001	梭芯夹	BOBBIN PRESSER	1
19	31N-19	S23418002	螺钉 M4 × 5	SCREW M4 × 5	1
20	31N-20	SA1988001	梭芯座	BOBBIN SUPPORT	1
21	31N-21	SA1989001	卷线杠杆	BOBBIN WINDER LEVER	1
22	31N-22	SA1990101	弹簧	SPRING	1
23	31N-23	SA1991001	弹簧	BOBBIN WINDER BASE SPRING	1
24	31N-24	SA2190001	O型密封圈 5	O RING, 5	1
25	31N-25	SA1992101	螺钉	BOBBIN WINDER FIXED SCREW	3
26	31N-26	SA1360001	切刀	KNIFE	1
27	31A-9	062500616	螺钉 M5 × 6	SCREW, PAN M5 × 6	1
28	31N-28	SA1994001	卷线器夹线组件	BOBBIN WINDER TENSION ASSY	1
29	31N-29	145446001	夹线盘	DISC, TENSION	2
30	31N-30	100401021	夹线弹簧	TENSION SPRING	1
31	12M-15	S31032001	压线螺母	TENSION NUT	1
32	31N-32	S12441001	止动垫圈	WASHER	1
33	13D-18	012500536	螺钉 M5 × 5	SET SCREW, SOCKET (FT) M5 × 5	1

# Z1. 附件 / Accessories

11: 用于-□□3 / For "-□□3"  
 用于-□□5 / For "-□□5"  
 用于-□□F / For "-□□F"

10: 用于-□□3 / For "-□□3"  
 用于-□□5 / For "-□□5"  
 用于-□□F / For "-□□F"



< 针杆无油型规格, 用于-□3□  
 / For "-□3□" Semi dry type >



# Z1. 附件 / Accessories

序号	图号	件号	零部件名称	NAME OF PARTS	数量
1	31Z1-1	122991001	附属品塑料袋	ACCESSORY BAG	1
2	31Z1-2	142443001	小起子 1.9 × 52	SCREW-DRIVER, 1.9 × 52	1
3	31Z1-3	118837001	起子 3.4 × 70	SCREW-DRIVER, 3.4 × 70	1
4	31Z1-4	S17774001	大起子 4.7 × 250	SCREW-DRIVER, 4.7 × 250	1
5	31Z1-5	100887001	双头扳手 8 × 9	WRENCH, 8 × 9	1
6	31Z1-6	142002001	内六角扳手 2	HEXAGONAL WRENCH, 2	1
7	31Z1-7	154125001	内六角扳手 2.5	HEXAGONAL WRENCH, 2.5	1
8	31Z1-8	142721001	内六角扳手 3	HEXAGONAL WRENCH, 3	1
9	31Z1-9	149570001	内六角扳手 5	HEXAGONAL WRENCH, 5	1
			<用于-□□3>	<For "-□□3">	
10	31Z1-10	SA1752014	机针组 107415	NEEDLE 4PIECE ASSY, 107415	1
11	31Z1-11	107415014	机针 DP × 5 (#14)	NEEDLE, DP × 5	4
			<用于-□□5>	<For "-□□5">	
10	31Z1-10	SA1752022	机针组 107415	NEEDLE 4PIECE ASSY, 107415	1
11	31Z1-11	107415022	机针 DP × 5 (#22)	NEEDLE, DP × 5	4
			<用于-□□F>	<For "-□□F">	
10	31Z1-10	SA1752011	机针组 107415	NEEDLE 4PIECE ASSY, 107415	1
11	31Z1-11	107415011	机针 DP × 5	NEEDLE, DP × 5	4
12	31Z1-12	S01928151	梭芯	BOBBIN	2
13	31Z1-13	100477009	机头撑杆	HEAD REST	1
14	31Z1-14	S55663001	油罐组件	OIL TANK ASSY	1
15	31Z1-15	144226001	机头罩	HEAD COVER	1
16	31Z1-16	145573000	膝控提升顶杆	KNEE LIFTER COMPLYING BAR	1
17	31Z1-17	SA2691101	油盘组件	OIL PAN ASSY	1
18	31Z1-18	SA2692101	油盘	OIL PAN	1
19	31Z1-19	149578000	轴套	BUSH	2
20	31Z1-20	SA2582001	膝控横轴	KNEE LIFTER SHAFT	1
21	31Z1-21	SA2590001	膝控杆	KNEE LIFTER	1
22	31Z1-22	S25344001	螺栓 M6	BOLT, M6	1
23	31Z1-23	S25475001	螺钉 M6 × 19	SET SCREW, M6 × 19	2
24	A-35	021060306	六角螺母 M6	NUT, M6	2
25	31Z1-25	S15889001	复位弹簧	TWIST SPRING	1
26	31Z1-26	146293001	档圈 10	RETAINING RING, 10	1
27	31Z1-27	153230101	放油口	DRAIN	1
28	31N-19	S23418002	螺钉 M4 × 5	SCREW, M4 × 5	2
29	31Z1-29	SA1969001	橡胶铰链组件	RUBBER HINGE ASSY	1
30	31Z1-30	143882001	机头铰链	HEAD HINGE	2
31	31Z1-31	143910009	机头铰链套	RUBBER CUSHION	2
32	31Z1-32	SA1962001	机头防震垫	HEAD CUSHION	2
33	31Z1-33	SA1963001	机头防震垫	HEAD CUSHION	2
34	31Z1-34	109714000	钉	NAIL	4
			<针杆无油型 用于-□3□>	<For "-□3□" semi dry type>	
35	31Z1-35	SA2693001	润滑脂组件	GREASE UNIT	1
36	31Z1-36	SA2695001	润滑脂注入口	GREASE NOZZLE	1
37	31Z1-37	SA2768101	皮带罩 U	BELT COVER, U	1
38	31Z1-38	SA2769001	皮带罩 D	BELT COVER, D	1
39	31Z1-39	SA2770101	皮带罩架	BELT COVER BRACKET	1
40	31Z1-40	S37263001	皮带罩D盖 L	BELT COVER D LID, L	1
41	31A-5	062500816	螺钉 M5 × 8	SCREW, PAN M5 × 8	4
42	31A-5	062500816	螺钉 M5 × 8	SCREW, PAN M5 × 8	2
43	31Z1-43	100666002	圆头木螺钉 M5.5 × 20	WOOD SCREW, ROUND M5.5 × 20	2
44	31Z1-44	025750132	平垫圈 5.56	WASHER, PLAIN 5.56	2
45	31Z1-45	114486002	油壶	OILER	1
46	31Z1-46	114483002	油壶组件	OILER ASSY	1
47	31Z1-47	S38300001	膝控组件	KNEE LIFTER ASSY	1
48	31Z1-48	146039001	碰块弯杆接头	KNEE LIFTER BRACKET	1
49	31Z1-49	100463001	四角型螺栓 5/16-18 × 16	BOLT, SQUARE 5/16-18 × 16	1
50	31Z1-50	017762013	六角螺栓 15/64-28 × 20	BOLT, 15/64-28 × 20	1
51	31Z1-51	S38278001	膝控弯杆	KNEE LIFTER BAR	1
52	31Z1-52	S34756001	膝控碰块	KNEE LIFTER PLATE	1
53	31Z1-53	114967001	碰块架	KNEE LIFTER PLATE STOPPER	1
54	31Z1-54	110087001	六角螺栓 15/64-28 × 8	BOLT, 15/64-28 × 8	1
55	31Z1-55	S31885001	膝控碰块垫	KNEE LIFTER PLATE COVER	1









## Z2. 附件 / Accessories

序号	图号	件号	零部件名称	NAME OF PARTS	数量
1	31Z2-1	S07558309	线架组件 3DRTHF	COTTON STAND ASSY, 3DRTHF	1
2	31Z2-2	S51283001	垫圈	SPOOL STAND BASE	3
3	31Z2-3	150182000	线盘软垫	SPOOL MAT	3
4	31Z2-4	S51282101	线轴缓冲架	SPOOL CUSHION	3
5	31Z2-5	S04109001	过线杆支杆	THREAD GUIDE SUPPORT BAR	1
6	31Z2-6	142997001	过线杆 3	THREAD GUIDE, 3	1
7	31Z2-7	SA2867001	管D螺母组件 B	PIPE D SCREW SET, B	1
8	31Z2-8	150206002	平垫圈 16	WASHER, PLAIN 16	1
9	31Z2-9	S38648001	螺母 5/8-28	NUT, 5/8-28	1
10	31Z2-10	150174000	线架支撑管套	COLUMN CAP	1
11	31Z2-11	S01005000	橡皮垫圈	RUBBER WASHER	2
12	31Z2-12	S02747101	弹簧	SPRING	1
13	31Z2-13	S40639001	线架撑管带管套	COLUMN PIPE W/CAP	1
14	31Z2-14	150174000	线架支撑管套	COLUMN CAP	1
15	31Z2-15	156112003	线架撑管 D	COLUMN PIPE, D	1
16	31Z2-16	150173003	撑管夹	COLUMN JOINT	1
17	31Z2-17	S21798001	线盘螺钉复合件	SPOOL & SCREW SET	3
18	31Z2-18	150179002	线轴 B	SPOOL SHAFT, B	3
19	31Z2-19	028050246	弹簧垫圈	WASHERE, SPRING	3
20	31Z2-20	021500106	六角螺母 M5	NUT, M5	3
21	31Z2-21	150188009	下过线架支撑板 A	SPOOL HOLDER SUPPORT, A	1
22	31Z2-22	S02779009	下过线架 3	SPOOL HOLDER, 3	1
23	31Z2-23	S02788009	下过线架3组件	THREAD HANGER ASSY, 3	1
24	31Z2-24	S02789009	上过线架 3	THREAD HANGER, 3	1
25	31Z2-25	150183000	过线管套	THREAD HANGER BASE	3
26	31Z2-26	142990001	过线架上过线管	THREAD BUSH	3
27	31Z2-27	150185009	过线杆夹头	THREAD GUIDE HOLDER	1
28	31Z2-28	138843001	连接器	JOINT	1
29	31Z2-29	021500106	六角螺母 M5	NUT, M5	4
30	31Z2-30	S37038001	螺钉 M5 × 14	SCREW, PAN (S/P WASHER) M5 × 14	1
31	31Z2-31	S37037001	螺钉 M5 × 32	SCREW, PAN (S/P WASHER) M5 × 32	1
32	31Z2-32	062501406	螺钉 M5 × 14	SCREW, PAN M5 × 14	2
33	31Z2-33	014060632	固定螺钉 M6 × 6	SET SCREW, SOCKET (CP) M6 × 6	2
34	31Z2-34	021500106	六角螺母 M5	NUT, M5	1
35	31Z2-35	S37037001	螺钉 M5 × 32	SCREW, PAN (S/P WASHER) M5 × 32	1
36	31Z2-36	021500106	六角螺母 M5	NUT, M5	1
37	31Z2-37	031452206	圆头木螺钉 M4.5 × 22	WOOD SCREW, ROUND M4.5 × 22	1
38	31Z2-38	062501006	螺钉 M5 × 10	SCREW, PAN M5 × 10	1
39	31Z2-39	SA4313001	<针杆无油型 用于-□3□> 地线	<For"-□3□" semi dry type> GROUND WIRE	1
40	31Z2-40	062500816	螺钉 M5 × 8	SCREW PAN M5 × 8	1

# Wa. 警告标签 / Warning labels

警告标签 / Warning labels	零部件名称 / Name of parts	尺寸 / Size (mm)	零部件序号 / Code
 <p>警告标签 (中/英) Label, caution Chn / Eng</p>	<p>操作注意标签 (中/英) Label, caution Chn / Eng</p>	<p>60 x 40</p>	<p>SA2041-001</p>
 <p>接地标记 Label, grounding</p>	<p>接地标记 Label, grounding</p>	<p>Φ12</p>	<p>S37060-001</p>



# Sp.不同规格零部件一览表 / Different parts

## ■ 旋梭 / Rotary hooks

旋梭在下列选购件中列有，请选择符合自己所需要的使用。  
(零部件序号请使用旋梭放入旋梭盒内组见的零部件序号)

The following type of rotary hook are available. Select whichever one is suitable for your application.  
(The following parts codes are assigned for the rotary hooks in the boxes.)

### ● 标准 / Normal

	用于-□□F, -□□3 / For-□□F, -□□3	用于-□□5 / For-□□5
旋梭盒组件 / Rotary hook assy	SA1668-111	SA1669-111
调整簧 / Tension spring	151145-001	151146-001
螺钉 / Tension adjusting screw	151029-001	151029-001

### ● 选购件 / Option

#### ○ 附梭芯套 / Rotary hook with cap

	用于-□□F, -□□3 / For-□□F, -□□3
旋梭盒组件 / Rotary hook assy	SA1668-111
梭芯套组件 / Bobbin case assy	S07740-001
调整簧 / Tension spring	154518-001
螺钉 / Tension adjusting screw	154519-001

#### ○ 大面积供油 / Extra lubrication rotary hook

因供给旋梭的机油很多，可防止旋梭滚花部的磨损。适用于厚布料和极厚布料的缝纫。  
Sufficient oil supplied to the rotary hook to prevent wear of the rotary hook race.  
This type is suitable for sewing heavy and extra heavy materials.

	用于-□□F, -□□3 / For-□□F, -□□3	用于-□□5 / For-□□5
旋梭盒组件 / Rotary hook assy	SA1671-111	SA1672-111
调整簧 / Tension spring	151145-001	151146-001
螺钉 / Tension adjusting screw	151029-001	151029-001

#### ○ 旋梭尖的强化 / Rotary hook with reinforced hook point

强化旋梭的梭尖，是为了防止旋梭梭尖部的磨损。适用于在缝制不良形成线圈的布料（如有伸缩性的布料等），旋梭梭尖部和机针有接触的情况下使用。

The rotary hook point is reinforced to improve its durability. This type is suitable for sewing materials that are hard to make loops on the surface (like stretchy materials), and that requires making contact with the hook point and the needles.

	用于-□□F, -□□3 / For-□□F, -□□3
旋梭盒组件 / Rotary hook assy	SA1673-011
调整簧 / Tension spring	151145-001
螺钉 / Tension adjusting screw	151029-001

#### ○ RP旋梭 / RP rotary hook

因不需要供油，所以没有供油的麻烦。特别是最适用于消除布料及线的油污情况。

Lubrication is not needed. This is the most useful to prevent oil stains on material and thread.

	用于-□□F, -□□3 / For-□□F, -□□3
旋梭盒组件 / Rotary hook assy	SA1674-002
调整簧 / Tension spring	S36985-002
螺钉 / Tension adjusting screw	151145-001



## Ga. 工模具一览表 / Gauge parts List

### 标准件 / For normal

\* 使用1-1/2" (38.1mm) 的大范围工模具时, 必须对缝纫机本体等进行特别的加工。  
因最大针宽可达77mm为止, 其交货日期及价格可另行商讨。

\* In case of using over 1-1/2" (38.1mm) gauge parts, it is required to make special machining on the arm-bed.  
A maximum stitch width specification of 77 mm is available. Please consult your manufacturer concerning delivery date and price.

针宽 Needle gauge (mm)	针夹组件 Needle clamp assy	针板 Needle plate		送料牙 Feed dog 用于中厚, 厚布料 (-3.5) For medium & heavy materials	压脚组件 Presser foot assy
		用于中厚, 厚布料 (-3.5) 最大节距 5mm For medium & heavy materials (Max 5mm pitch)	选购 最大节距 4mm Option (Max 4mm pitch)		
1/16 (1.6)	158808-001		142111-001	151078-001	151076-001
1/8 (3.2)	158794-101	117369-001	114950-001	114951-001	S36544-001
5/32 (4.0)	158796-101	150850-001	116503-001	116509-001	116502-001
3/16 (4.8)	158791-101	117133-001	112603-001	112659-001	SA4053-001
1/4 (6.4)	158792-101	117367-001	112604-001	112660-001	SA4049-001
5/16 (7.9)	158793-101	144882-001	112605-001	112661-001	112645-001
3/8 (9.5)	158798-101	144881-101	116506-101	116510-101	116498-001
7/16 (11.1)	158809-101		151596-001	151598-001	151597-101
1/2 (12.7)	158797-101	S09365-001	116505-001	116511-001	116499-101
5/8 (15.9)	158795-101	159577-001	116507-001	116512-001	116500-101
1 (25.4)	158805-101		147176-001	147178-001	147177-101
1-1/4 (31.8)	158799-001		116504-001	116508-001	116501-101
1-3/8 (34.9)	S10746-101	S14148-001		S14149-001	S10751-101
1-1/2 (38.1)	158800-101		118945-001	118947-001	118946-101
2 (50.8)	158802-101	144951-001		144947-001	144949-101
2-1/6 (55.0)	158803-101	147560-001		147561-001	147562-101
75mm	S16238-101		S16240-001	S16241-001	S16242-101
77mm	S30508-001		S30510-001	S30513-001	S30511-201

### 用于女性内衣 / For foundation

\* 针板和送布牙均为非标准件。请使用螺钉117160-001 (H-5) 来安装针板。

\* The needle plate and the feed dog is different from normal parts.

\* Use part no. 117160-001 (H-5) as the needle plate installation screw.

针宽 Needle gauge (mm)	针夹组件 Needle clamp assy	针板 Needle plate	送料牙 Feed dog	压脚组件 Presser foot assy (Without finger fuard)
1/8 (3.2) 针间不隔开 / Bar less	标准件 / Normal	S24571-001	S24572-001	标准件 / Normal
3/16 (4.8)		117158-001	117134-001	
1/4 (6.4)		117368-001	117365-001	
5/16 (7.9)		S31907-001	S31908-001	

### 用于有空隙时 / For sewing without material

\* 针板和送布牙均为非标准件。请在最大节距为4mm以下时使用。

\* Needle plate, the feed dog and presser foot assembly is different from normal parts.

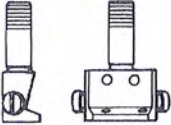
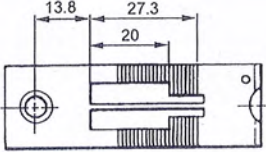
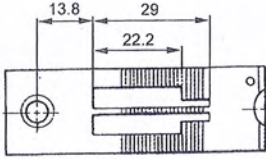
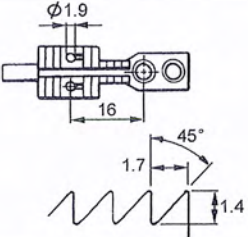
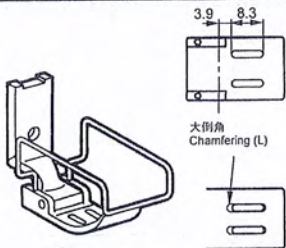
\* Use gauge components of for sewing without material which have a maximum feed pitch of 4mm or less

针宽 Needle gauge (mm)	针夹组件 Needle clamp assy	针板 Needle plate	送料牙 Feed dog	压脚组件 Presser foot assy
3/16 (4.8)	标准件 / Normal	S36010-101	S36011-101	S36012-001
1/4 (6.4)		S36025-001	S36024-001	S36022-001

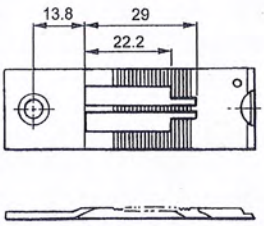
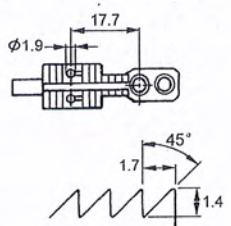


### 3a. 工模具一览表 / Gauge parts List

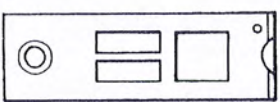
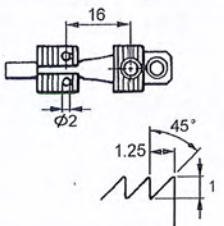
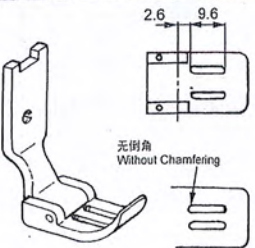
#### 标准件 / For normal

针夹组件 Needle clamp assy	针板 Needle plate	
	用于中、厚布料 (-3.-5) (最大节距 5mm) For medium & heavy materials (Max 5mm pitch)	选购(最大节距 4mm) Option (Max 4mm pitch)
		
送布牙 Feed dog	压脚组件 Presser foot assy	
用于中、厚布料 (-3.-5) For medium & heavy materials		
		

#### 用于女性内衣 / For foundation

针板 Needle plate	送布牙 Feed dog
	

#### 用于有空隙时 / For sewing without material

针板 Needle plate	送布牙 Feed dog	压脚组件 Presser foot assy
		

## Ga. 工模具一览表 / Gauge parts List

### 用于薄布料 / For light materials

\* 送布牙均为非标准件。

\* The feed dog is different from normal parts.

针宽 Needle gauge (mm)	针夹组件 Needle clamp assy	针板 Needle plate	送料牙 Feed dog	压脚组件 Presser foot assy
1/8 (3.2)	标准件 / Normal	标准件 / Normal	S07880-001	标准件 / Normal
3/16 (4.8)			S07878-001	
1/4 (6.4)			S07879-001	

### 用于厚布料 / For heavy materials

\* 送布牙均为非标准件。

\* The feed dog is different from normal parts.

针宽 Needle gauge (mm)	针夹组件 Needle clamp assy	针板 Needle plate	送料牙 Feed dog	压脚组件 Presser foot assy
3/16 (4.8)	标准件 / Normal	标准件 / Normal	S21149-001	标准件 / Normal
1/4 (6.4)			S21150-001	

### 用于极厚布料 / For extra heavy materials

\* 送布牙均为非标准件。

\* The feed dog is different from normal parts.

针宽 Needle gauge (mm)	针夹组件 Needle clamp assy	针板 Needle plate	送料牙 Feed dog	压脚组件 Presser foot assy
1/8 (3.2)	标准件 / Normal	标准件 / Normal	158430-001	标准件 / Normal
3/16 (4.8)			S13588-001	
1/4 (6.4)			153882-001	
3/8 (9.5)			153887-001	
1/2 (12.7)			153892-001	
5/8 (15.9)			153897-001	

### 用于极薄布料 / For extra light materials

\* 送布牙和压脚组件均为非标准件。

\* 压脚组件的形状和标准件一样，但进行了特殊的表面处理。

\* The feed dog and presser foot assembly is different from normal parts.

\* The shape of the presser foot assembly is the same as for the standard part, but it has a special surface processing.

针宽 Needle gauge (mm)	针夹组件 Needle clamp assy	针板 Needle plate	送料牙 Feed dog	压脚组件 Presser foot assy
3/16 (4.8)	标准件 / Normal	标准件 / Normal	S36832-001	S36833-001
1/4 (6.4)			S36829-001	S36830-001



# Ga. 工模具一览表 / Gauge parts List

## 选购件 / Option parts

\* 压脚组件为非标准件。带导向压脚请在最大节距为4mm以下时使用。

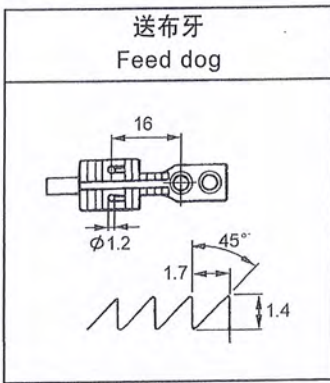
\* The presser foot assembly is different from normal parts.

\* The presser foot assembly with guide should be used with a maximum feed pitch of 4mm or less.

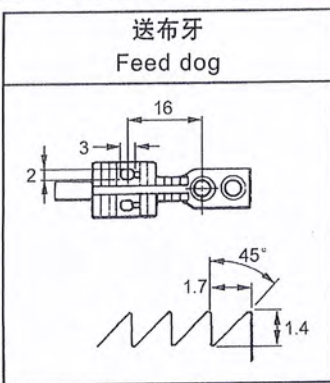
零部件名称 Nsme of parts	针宽 Needle gauge (mm)	针夹组件 Needle clamp assy	针板 Needle plate	送料牙 Feed dog	压脚组件 Presser foot assy
带导向压脚组件 Presser foot assy with guide	1/8 (3.2)	标准件 / Normal	标准件 / Normal	标准件 / Normal	149311-001
	3/16 (4.8)				117281-001
	1/4 (6.4)				149321-001
带左导向压脚组件 Presser foot assy with guide, L	5/16 (7.9)				S13735-001
用于缝制右拉链时 (R) Presser foot assy for attach zipper (Right)	1/8 (3.2)				S14080-001
用于缝制左拉链时 (L) Presser foot assy for attach zipper (Left)	1/8 (3.2)				S33459-001

# Ga. 工模具一览表 / Gauge parts List

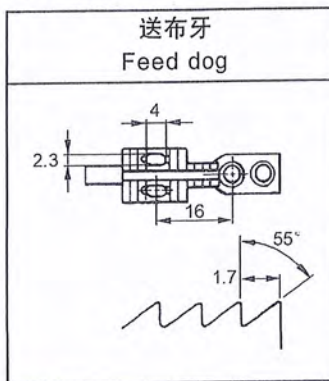
## 用于薄布料 / For light materials



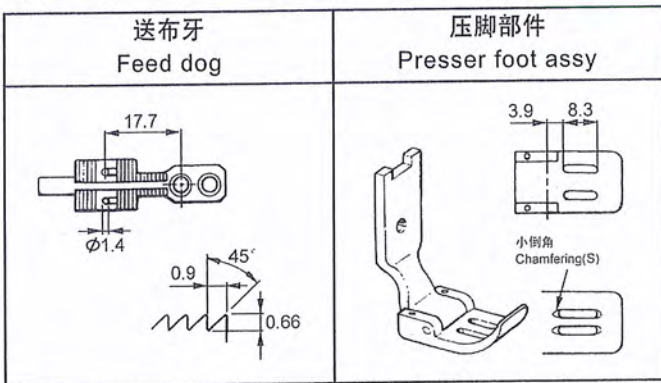
## 用于厚布料 / For heavy materials



## 用于极厚布料 / For extra heavy materials



## 用于极薄布料 / For extra light materials



## 选购件 / Optio parts





# Ga. 工模具一览表 / Gauge parts List

## 用于下送布 / For drop materials

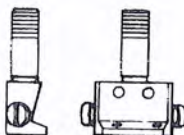
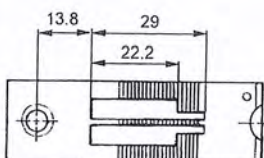
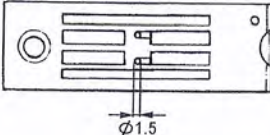
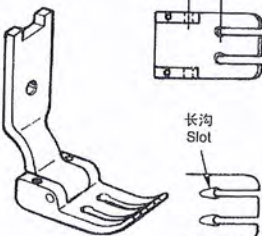
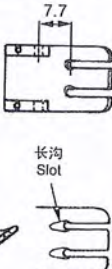
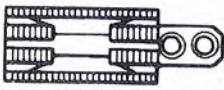
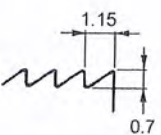
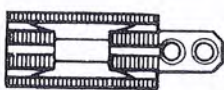
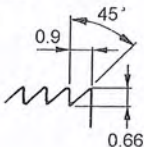
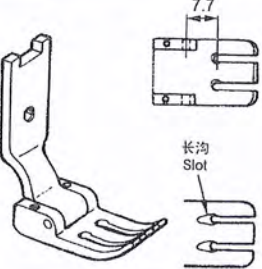
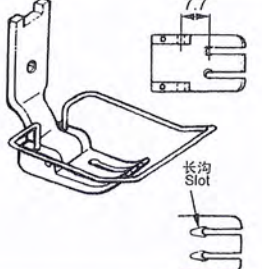
\* 使用1-1/2" (38.1mm) 的大范围工模具时, 必须对缝纫机本体等进行特别的加工。

因最大针宽可达77mm为止, 其交货日期及价格可另行商讨。

\* In case of using over 1-1/2" (38.1mm) gauge parts, it is required to make special machining on the arm-bed.

The specification with a maximum stitch width of 77mm is available. Please consult your manufacturer concerning delivery date and price.

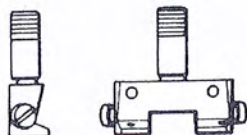
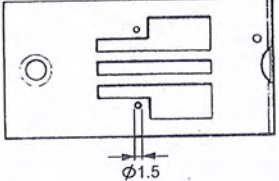
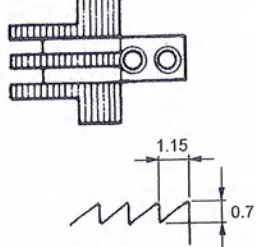
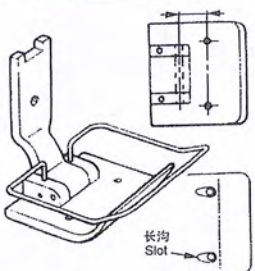
针宽 Needle gauge (inch) (mm)	针夹组件 Needle clamp assy	针板 Needle plate		送料牙 Feed dog		压脚组件 Presser foot assy	
		用于薄布料(-1) For light materials	用于极薄布料 For extra light materials	用于薄布料(-1) For light materials	用于极薄布料 For extra light materials	用于薄布料(-1) For light materials	用于极薄布料 For extra light materials
1/8 (3.2)	158794-101	S07686-001		S07696-001		S38544-001	S36839-001
3/16 (4.8)	158791-101	S07688-001	S36842-001	S07698-001	S36838-001	S38542-001	S36836-001
1/4 (6.4)	158792-101	S07689-001	S36841-001	S07699-001	S36835-001	S38543-001	
1/2 (12.7)	158797-101	S07693-001		S07703-001		S07684-101	
3/4 (19.1)	158806-101	S07996-001		S07998-001		S07889-101	
20MM	S00937-001	S13479-001		S07998-001		S13480-101	S37012-001
7/8 (22.2)	158807-101	S07997-001	S37011-001	S07999-001	S07999-001	S07894-101	

针夹组件 Needle clamp assy	针板 Needle plate		压脚组件 Presser foot assy	
	用于薄布料(-1)	用于极薄布料	用于薄布料(-1)	用于极薄布料 For extra light materials
				
送料牙 Feed dog		压脚组件 Presser foot assy		
用于薄布料(-1)	用于极薄布料	用于薄布料(-1) For light materials		
 	 			

# Ga. 工模具一览表 / Gauge parts List

## 用于前襟 / For shirt fronts

针宽 Needle gauge	针夹组件 Needle clamp assy	针板 Needle plate 用于薄布料(-1) For light materials	送料牙 Feed dog 用于薄布料(-1) For light materials	压脚组件 Presser foot assy 用于薄布料(-1) For light materials
mm				
18mm	S14352-001	S14354-001	S14357-001	S14355-101
20mm	S00937-001	S13479-001	S14360-001	S14358-101
22mm	158807-001	S07997-001	S14363-001	S14361-101
24mm	S14364-001	S14366-001	S14369-001	S14367-101
26mm	S14370-001	S14372-001	S14375-001	S14373-101
28mm	S14376-001	S14378-001	S14381-001	S14379-101
30mm	S16651-001	S16653-001	S16656-001	S16654-101

针夹组件 Needle clamp assy	针板 Needle plate	送料牙 Feed dog	压脚组件 Presser foot assy
	用于薄布料(-1) For light materials	用于薄布料(-1) For light materials	用于薄布料(-1) For light materials
	 <p style="text-align: center;"><math>\phi 1.5</math></p>	 <p style="text-align: center;">1.15 0.7</p>	 <p style="text-align: right;">长沟 Slot</p>



## 索引 / INDEX

CODE	REF.NO	page	CODE	REF.NO	page	CODE	REF.NO	page	CODE	REF.NO	page
012060636	C -39	6	062300416	F -24	12	104450101	L -42	22	129458102	E -23	10
	E -33	10	062300612	G1 -19	14		L -58	24	138843001	Z2 -28	32
	F -7	12		G1 -19	16	104821001	E -45	10	140063001	A -1	2
	F -27	12	062300616	M -39	26	107415011	Z1 -11	30	140890009	L -63	24
	K -16	20	062350512	M -22	26	107415014	Z1 -11	30	141208001	D -5	8
	M -44	26	062350816	C -7	6	107415022	Z1 -11	30	142002001	Z1 -6	30
012061036	B -28	4	062400416	G1 -54	16	108549001	E -24	10	142111001	Ga	35
	B -32	4	062400616	F -19	12	108801001	L -56	22	142274101	L -34	22
012061832	D -14	8		F -34	12	108802001	F -5	12	142443001	Z1 -2	30
012500536	B -20	4		G1 -27	14		L -55	22	142721001	Z1 -8	30
	D -22	8		G1 -27	16	109714000	Z1 -34	30	142746002	E -22	10
	G1 -15	14		G1 -29	14	110087001	Z1 -54	30	142990001	Z2 -26	32
	M -31	26		G1 -29	16	112603001	Ga	35	142997001	Z2 -6	32
	N -8	28		G1 -32	14	112604001	Ga	35	143611201	E -8	10
	N -13	28		G1 -32	16	112605001	Ga	35	143612100	E -9	10
	N -33	28		L -62	24	112645001	Ga	35	143613051	E -16	10
014060632	Z2 -33	32	062401016	C -4	6	112659001	Ga	35	143616001	E -17	10
014500836	B -17	4	062401216	N -17	28	112660001	Ga	35	143882001	Z1 -30	30
016061031	E -30	10	062401616	L -51	22	112661001	Ga	35	143910009	Z1 -31	30
017762013	Z1 -50	30	062500616	A -9	2	112728001	C -8	6	144226001	Z1 -15	30
018062032	C -34	6		C -16	6	112753001	L -64	24	144504001	M -27	26
	C -44	6		F -40	12	113014000	B -7	4	144881101	Ga	35
	E -15	10		L -54	22	113050001	H -7	18	144882001	Ga	35
018062532	C -41	6		N -27	28	114483002	Z1 -46	30	144947001	Ga	35
018081236	L -3	22	062500816	A -5	2	114486002	Z1 -45	30	144949101	Ga	35
021060306	D -15	8		B -34	4	114941001	M -41	26	144951001	Ga	35
	D -32	8		B -39	4	114950001	Ga	35	145446001	M -23	26
	Z1 -24	30		C -24	6	114951001	Ga	35		N -29	28
021300106	M -11	26		C -31	6	114967001	Z1 -53	30	145573000	Z1 -16	30
021350106	F -16	12		D -2	8	115947001	G1 -42	16	146039001	Z1 -48	30
021500106	D -25	8		E -46	10	116010001	A -18	2	146293001	Z1 -26	30
	E -54	10		F -39	12	116323001	H -2	18	147176001	Ga	35
	Z2 -20	32		L -7	22	116498001	Ga	35	147177101	Ga	35
	Z2 -29	32		M -42	26	116499101	Ga	35	147178001	Ga	35
	Z2 -34	32		Z1 -41	30	116500101	Ga	35	147560001	Ga	35
	Z2 -36	32		Z1 -42	30	116501101	Ga	35	147561001	Ga	35
021500316	G1 -12	14		Z2 -40	32	116502001	Ga	35	147562101	Ga	35
025030132	F -23	12	062501006	Z2 -38	32	116503001	Ga	35	148394000	C -14	6
025050236	E -49	10	062501016	E -3	10	116504001	Ga	35	148743001	L -33	22
025050336	E -44	10	062501216	A -7	2	116505001	Ga	35	149311001	Ga	38
025060132	F -14	12		E -43	10	116506101	Ga	35	149312001	Ga	38
025060136	G1 -49	16		E -48	10	116507001	Ga	35	149570001	Z1 -9	30
	N -6	28		E -53	10	116508001	Ga	35	149578000	Z1 -19	30
	N -15	28	062501406	Z2 -32	32	116509001	Ga	35	150173003	Z2 -16	32
025060236	L -66	24	062501416	D -24	8	116510101	Ga	35	150174000	Z2 -10	32
025100132	E -37	10	072600480	J -9	20	116511001	Ga	35		Z2 -14	32
025710132	G1 -11	14	076023800	B -24	4	116512001	Ga	35	150179002	Z2 -18	32
025750132	Z1 -44	30	081004070	L -24	22	117133001	Ga	35	150182000	Z2 -3	32
028050246	Z2 -19	32		L -28	22	117134001	Ga	35	150183000	Z2 -25	32
031452206	Z2 -37	32	081009070	N -5	28	117158001	Ga	35	150185009	Z2 -27	32
037300816	K -4	20	081038070	L -18	22	117160001	H -5	18	150188009	Z2 -21	32
048040342	N -2	28	0A4400806	K -12	20	117281001	Ga	38	150206002	Z2 -8	32
	N -14	28		L -43	22	117365001	Ga	35	150850001	Ga	35
048060342	E -18	10	0A4402506	K -14	20	117367001	Ga	35	151027001	G2 -5	18
048080342	E -36	10	0A5501006	L -21	22	117368001	Ga	35	151029001	Sp	34
061350616	M -19	26	100032004	H -5	18	117369001	Ga	35	151030001	G2 -4	18
	M -37	26	100328001	E -26	10	118735002	C -35	6	151076001	Ga	35
062060816	E -7	10	100401021	N -30	28	118837001	Z1 -3	30	151078001	Ga	35
	E -52	10	100463001	Z1 -49	30	118945001	Ga	35	151145001	Sp	34
	L -46	22	100477009	Z1 -13	30	118946101	Ga	35	151146001	Sp	34
062061016	G1 -48	16	100666002	Z1 -43	30	118947001	Ga	35	151596001	Ga	35
	L -65	24	100887001	Z1 -5	30	118954000	E -10	10	151597101	Ga	35
	C -32	6	104450101	L -17	22	122991001	Z1 -1	30	151598001	Ga	35



# 索引 / INDEX

CODE	REF.NO	page	CODE	REF.NO	page	CODE	REF.NO	page	CODE	REF.NO	page
153230101	Z1 -27	30	S05246000	L -32	22	S14372001	Ga	41	S36829001	Ga	37
153882001	Ga	37	S07346101	D -6	8	S14373101	Ga	41	S36830001	Ga	37
153887001	Ga	37	S07349001	D -20	8	S14375001	Ga	41	S36832001	Ga	37
153892001	Ga	37	S07350001	D -33	8	S14376001	Ga	41	S36833001	Ga	37
153897001	Ga	37	S07353001	D -13	8	S14378001	Ga	41	S36835001	Ga	40
154125001	Z1 -7	30	S07355051	D -23	8	S14379101	Ga	41	S36836001	Ga	40
154518001	Sp	34	S07374109	E -39	10	S14381001	Ga	41	S36838001	Ga	40
154519001	Sp	34	S07376001	E -50	10	S15889001	Z1 -25	30	S36839001	Ga	40
154560001	M -28	26	S07419001	G1 -6	14	S16196001	D -6	8	S36841001	Ga	40
154965001	G1 -17	14	S07420000	G1 -5	14	S16238101	Ga	35	S36842001	Ga	40
	G1 -17	16	S07465000	C -18	6	S16240001	Ga	35	S36985002	Sp	34
155510001	M -29	26	S07494001	H -9	18	S16241001	Ga	35	S37011001	Ga	40
156112003	Z2 -15	32	S07558309	Z2 -1	32	S16242101	Ga	35	S37012001	Ga	40
158115001	B -27	4	S07684101	Ga	40	S16651001	Ga	41	S37037001	Z2 -31	32
	J -13	20	S07686001	Ga	40	S16653001	Ga	41		Z2 -35	32
158430001	Ga	37	S07688001	Ga	40	S16654101	Ga	41	S37038001	Z2 -30	32
158791101	Ga	35	S07689001	Ga	40	S16656001	Ga	41	S37060001	A -21	2
	Ga	40	S07693001	Ga	40	S17774001	Z1 -4	30		Wa	33
158792101	Ga	35	S07696001	Ga	40	S20681000	M -25	26	S37263001	Z1 -40	30
	Ga	40	S07698001	Ga	40	S20682105	M -26	26	S38212001	G1 -16	14
158793101	Ga	35	S07699001	Ga	40	S21149001	Ga	37		G1 -16	16
158794101	Ga	35	S07703001	Ga	40	S21150001	Ga	37	S38266000	L -9	22
	Ga	40	S07740001	Sp	34	S21798001	Z2 -17	32	S38274001	M -32	26
158795101	Ga	35	S07746001	G2 -6	18	S23418002	N -19	28	S38278001	Z1 -51	30
158796101	Ga	35	S07878001	Ga	37		Z1 -28	30	S38300001	Z1 -47	30
158797101	Ga	35	S07879001	Ga	37	S23460001	C -37	6	S38398001	B -5	4
	Ga	40	S07880001	Ga	37	S23651001	B -10	4	S38422001	E -19	10
158798101	Ga	35	S07880001	Ga	37		B -25	4	S38427001	E -20	10
158799001	Ga	35	S07889101	Ga	40		F -9	12	S38481000	J -2	20
158800101	Ga	35	S07894101	Ga	40	S24571001	Ga	35		J -4	20
158802101	Ga	35	S07996001	Ga	40	S24572001	Ga	35	S38542001	Ga	40
158803101	Ga	35	S07997001	Ga	40	S25234001	B -3	4	S38543001	Ga	40
				Ga	41	S25235001	B -11	4	S38544001	Ga	40
158805101	Ga	35	S07998001	Ga	40	S25236001	B -12	4	S38648001	Z2 -9	32
158806101	Ga	40	S07999001	Ga	40		E -13	10	S38707001	B -4	4
158807001	Ga	41	S09260001	G1 -4	14		J -11	20	S39051001	D -12	8
158807101	Ga	40	S09261001	G1 -4	14	S25260001	B -8	4	S39830101	E -28	10
158808001	Ga	35	S09365001	Ga	35		C -21	6	S40639001	Z2 -13	32
158809101	Ga	35	S10746101	Ga	35		C -28	6	S48367000	E -42	10
159577001	Ga	35	S10751101	Ga	35	S25289001	D -9	8	S50098101	E -25	10
159805001	M -24	26	S11244001	H -4	18	S25344001	Z1 -22	30	S51282101	Z2 -4	32
228475000	L -12	22	S12441001	N -32	28	S25475101	Z1 -23	30	S51283001	Z2 -2	32
J04273001	K -8	20	S13160001	B -15	4	S25789000	N -9	28	S51815001	L -2	22
J04310001	K -9	20	S13479001	Ga	40	S30508001	Ga	35		L -15	22
J04311001	K -15	20		Ga	41	S30510001	Ga	35	S55663001	Z1 -14	30
J04338001	K -13	20	S13480101	Ga	40	S30511201	Ga	35	S58900000	G1 -53	16
J04339001	K -11	20	S13588001	Ga	37	S30513001	Ga	35	SA1120001	B -9	4
J04340001	K -10	20	S13735001	Ga	38	S31006001	D -11	8	SA1174001	D -3	8
J04352001	K -1	20	S14080001	Ga	38	S31032001	N -31	28	SA1175001	D -4	8
J04353001	K -2	20	S14148001	Ga	35	S31885001	Z1 -55	30	SA1179001	D -19	8
J04354001	K -6	20	S14149001	Ga	35	S31907001	Ga	35		D -28	8
J04355001	K -5	20	S14352001	Ga	41	S31908001	Ga	35		D -30	8
J04356001	K -7	20	S14354001	Ga	41	S33459001	Ga	38	SA1360001	N -26	28
J04357001	K -3	20	S14355101	Ga	41	S34438051	A -17	2	SA1668111	Sp	34
S00937001	Ga	40	S14357001	Ga	41	S34756001	Z1 -52	30	SA1669111	Sp	34
	Ga	41	S14358101	Ga	41	S36010101	Ga	35	SA1671111	Sp	34
S01005000	Z2 -11	32	S14360001	Ga	41	S36011101	Ga	35	SA1672111	Sp	34
S01928151	G1 -50	16	S14361101	Ga	41	S36012001	Ga	35	SA1673011	Sp	34
	Z1 -12	30	S14363001	Ga	41	S36022001	Ga	35	SA1674002	Sp	34
S02747101	Z2 -12	32	S14364001	Ga	41	S36024001	Ga	35	SA1752011	Z1 -10	30
S02779009	Z2 -22	32	S14366001	Ga	41	S36025001	Ga	35	SA1752014	Z1 -10	30
S02788009	Z2 -23	32	S14367101	Ga	41	S36544001	Ga	35	SA1752022	Z1 -10	30
S02789009	Z2 -24	32	S14369001	Ga	41	S36663051	A -16	2	SA1962001	Z1 -32	30
S04109001	Z2 -5	32	S14370001	Ga	41						



## 索引 / INDEX

CODE	REF.NO	page	CODE	REF.NO	page	CODE	REF.NO	page	CODE	REF.NO	page
SA1963001	Z1 -33	30	SA2515001	E -5	10	SA2615001	M -6	26	SA2957001	L -6	22
SA1969001	Z1 -29	30	SA2516001	E -6	10	SA2619001	M -7	26	SA2958001	B -19	4
SA1971101	N -1	28	SA2518001	E -11	10	SA2620001	M -9	26	SA3037001	L -35	22
SA1975001	N -3	28	SA2521001	E -14	10	SA2621001	M -10	26	SA3040001	L -36	22
SA1978001	N -4	28	SA2523001	E -27	10	SA2623001	M -8	26	SA3044001	L -47	22
SA1980001	N -7	28	SA2525001	E -29	10	SA2624001	M -13	26	SA3045101	L -44	22
SA1981101	N -10	28	SA2526001	E -31	10	SA2625001	M -14	26	SA3046001	L -45	22
SA1982101	N -11	28	SA2527001	E -32	10	SA2626001	M -12	26	SA3047001	L -49	22
SA1983001	N -12	28	SA2528101	E -34	10		M -15	26	SA3048101	L -59	22
SA1984001	N -16	28	SA2529101	E -35	10	SA2627001	M -16	26	SA3049001	L -60	24
SA1985001	N -18	28	SA2530001	E -38	10	SA2628001	M -17	26	SA3054001	G1 -25	14
SA1988001	N -20	28	SA2531001	E -40	10	SA2629001	M -18	26	SA3055101	L -48	22
SA1989001	N -21	28	SA2532001	E -47	10	SA2630001	M -21	26	SA3056001	E -21	10
SA1990101	N -22	28	SA2533001	E -51	10	SA2632001	M -30	26	SA3057001	B -35	4
SA1991001	N -23	28	SA2543001	F -4	12	SA2633001	M -33	26	SA3058101	B -36	4
SA1992101	N -25	28	SA2544001	F -6	12	SA2634001	M -36	26	SA3059001	B -38	4
SA1994001	N -28	28	SA2546001	F -8	12	SA2635001	M -38	26	SA3060001	L -37	22
SA2040001	A -22	2	SA2550001	F -25	12	SA2636001	M -43	26	SA3061001	L -30	22
	Wa	33	SA2551001	F -26	12	SA2637001	M -45	26	SA3062001	E -1	10
SA2041001	A -22	2	SA2552001	F -38	12	SA2638001	M -46	26	SA3065001	B -37	4
	Wa	33	SA2553001	F -17	12	SA2639001	M -40	26	SA3067001	E -41	10
SA2165001	D -29	8	SA2554001	F -18	12	SA2640001	M -47	26	SA3147001	L -25	22
SA2190001	N -24	28	SA2555001	F -28	12	SA2691101	Z1 -17	30		L -29	22
SA2440001	A -3	2	SA2556001	G1 -41	16	SA2692101	Z1 -18	30		L -38	22
SA2441001	A -6	2		G1 -45	16	SA2693001	Z1 -35	30	SA3414001	M -2	26
SA2443001	A -8	2	SA2557001	G1 -7	14	SA2695001	Z1 -36	30	SA3415001	M -2	26
SA2444001	A -10	2	SA2558001	G1 -52	16	SA2720001	B -29	4	SA3416001	M -2	26
SA2445001	A -11	2	SA2560001	G1 -10	14	SA2722001	G1 -43	16	SA3417001	M -1	26
SA2447001	A -12	2	SA2562101	G1 -18	14	SA2723001	L -19	22	SA3710001	C -6	6
SA2449001	A -14	2	SA2563101	G1 -34	16	SA2724001	F -35	12	SA3711001	C -9	6
SA2463001	B -31	4	SA2565001	G1 -44	16		L -20	22	SA3712001	C -10	6
SA2464001	B -18	4	SA2566001	F -15	12	SA2727101	L -31	22	SA3840001	F -10	12
SA2469001	B -33	4	SA2567001	G1 -46	16	SA2746201	B -1	4	SA3848001	C -17	6
SA2471001	C -23	6	SA2568001	G1 -47	16	SA2748001	B -23	4	SA3852001	C -19	6
SA2474101	C -3	6	SA2571001	J -5	20	SA2750001	B -26	4	SA3854001	C -2	6
SA2475001	C -5	6	SA2574001	G1 -21	14	SA2754001	F -37	12	SA3855001	F -1	12
SA2479001	A -13	2		G1 -21	16	SA2755101	G1 -1	14	SA3856001	G1 -8	14
	A -15	2		G1 -24	14	SA2757201	G1 -33	14		G1 -8	14
	A -24	2		G1 -24	16	SA2759001	J -6	20	SA3859001	G1 -9	14
SA2481001	C -26	6	SA2575001	G1 -22	14	SA2761001	A -23	2	SA3864001	F -11	12
SA2482001	C -11	6		G1 -22	16	SA2768101	Z1 -37	30	SA3886001	F -12	12
SA2483001	C -12	6		J -7	20	SA2769001	Z1 -38	30	SA3887001	F -21	12
SA2484001	C -13	6	SA2576001	G1 -23	14	SA2770101	Z1 -39	30	SA3888001	F -22	12
SA2485001	C -20	6		G1 -23	16	SA2806001	F -31	12	SA3889101	G1 -13	14
	C -27	6	SA2579001	G1 -35	16	SA2814101	L -13	12	SA3890001	J -1	20
SA2486101	C -30	6	SA2582001	Z1 -20	30	SA2818001	M -1	26	SA3891001	J -3	20
SA2489001	C -33	6	SA2584001	J -8	20	SA2824001	M -20	26	SA3894001	G1 -31	14
SA2490101	C -36	6	SA2585001	E -12	10	SA2825001	G1 -40	16		G1 -31	16
SA2493001	C -42	6		J -10	20	SA2827001	G1 -51	16	SA3896001	L -22	22
SA2494001	C -43	6		J -14	20	SA2861001	B -13	4	SA3898001	L -26	22
SA2495001	D -1	8	SA2587001	J -12	20	SA2867001	Z2 -7	32	SA3916001	G1 -39	16
SA2496001	D -7	8	SA2590001	Z1 -21	30	SA2927001	F -13	12	SA3923001	L -50	22
SA2498001	D -8	8	SA2596001	L -39	22	SA2928001	F -29	12	SA3924001	A -2	2
SA2499001	D -10	8	SA2597001	L -40	22	SA2929001	A -4	2	SA3946001	L -4	22
SA2500001	D -16	8	SA2598001	L -41	22		A -19	2	SA3949001	L -14	22
SA2501001	D -17	8	SA2599001	L -23	22		A -20	2	SA3961001	G1 -2	14
SA2502001	D -18	8		L -27	22		L -8	22	SA3965001	F -2	12
SA2504001	D -21	8	SA2604001	L -52	22		L -16	22	SA3988001	G1 -38	16
SA2506001	D -26	8	SA2605001	L -53	22	SA2935101	B -14	4	SA3990001	F -20	12
SA2507001	D -27	8	SA2606101	L -57	24	SA2936101	B -14	4	SA4007001	C -15	6
SA2509001	E -1	10	SA2607001	M -1	26	SA2950101	G1 -1	14	SA4009001	F -33	12
SA2511001	E -2	10	SA2613001	M -4	26	SA2951101	G1 -33	14	SA4011001	F -36	12
SA2512001	E -4	10	SA2614001	M -5	26	SA2956001	L -5	22	SA4012001	G1 -30	14



# 索引 / INDEX

CODE	REF.NO	page	CODE	REF.NO	page	CODE	REF.NO	page	CODE	REF.NO	page
SA4012001	G1 -30	16									
SA4014001	L -61	24									
SA4025001	F -30	12									
SA4026001	G1 -14	16									
SA4028001	F -3	12									
SA4029001	G1 -3	14									
SA4033001	L -11	22									
SA4038001	G1 -4	14									
SA4042001	G1 -26	14									
SA4043001	G1 -36	16									
SA4044001	G1 -28	14									
SA4045001	G1 -37	16									
SA4049001	Ga	35									
SA4053001	Ga	35									
SA4089001	B -2	4									
SA4093001	C -22	6									
SA4094001	C -25	6									
SA4095001	C -29	6									
SA4112001	B -16	4									
SA4115001	B -21	4									
SA4116001	B -21	4									
SA4117001	C -38	6									
SA4118001	C -40	6									
SA4124101	C -1	6									
SA4129001	B -22	4									
	D -31	8									
SA4205001	L -1	22									
SA4212001	M -3	26									
SA4213001	J -15	20									
SA4214001	B -30	4									
SA4215001	L -10	22									
SA4313001	Z2 -39	32									
SA4335001	B -6	4									
SA4444001	G1 -4	14									
SA4506001	M -34	26									
SA4507001	M -35	26									
SA4549001	G1 -20	14									
	G1 -20	16									
W01519001	F -32	12									





