



GLOBAL

Our experience. Your success

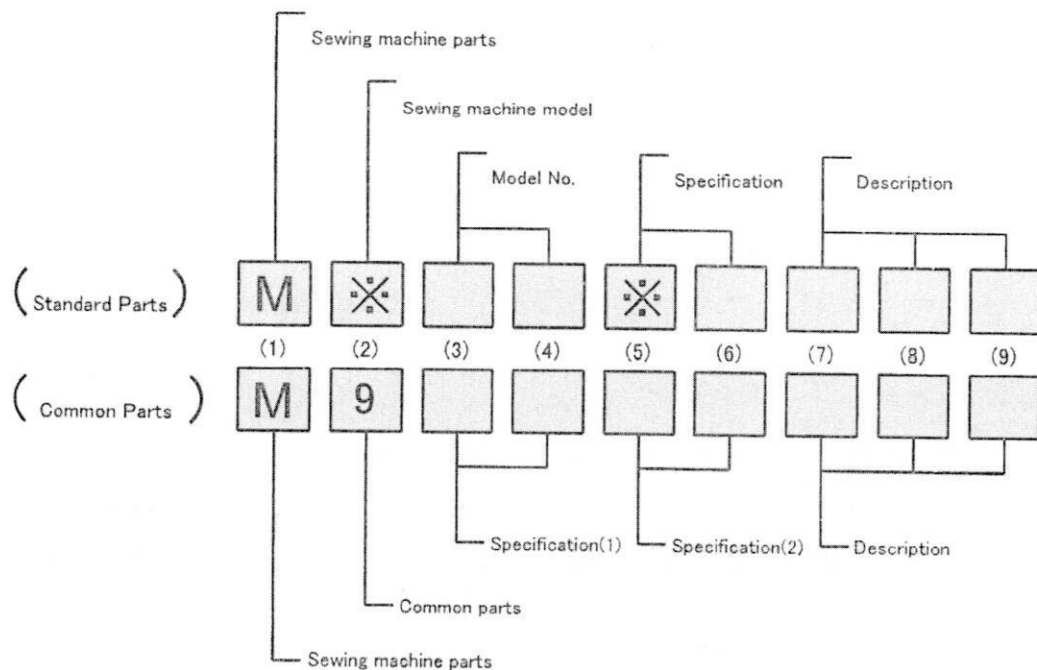
BT 100 X 100

PARTS MANUAL

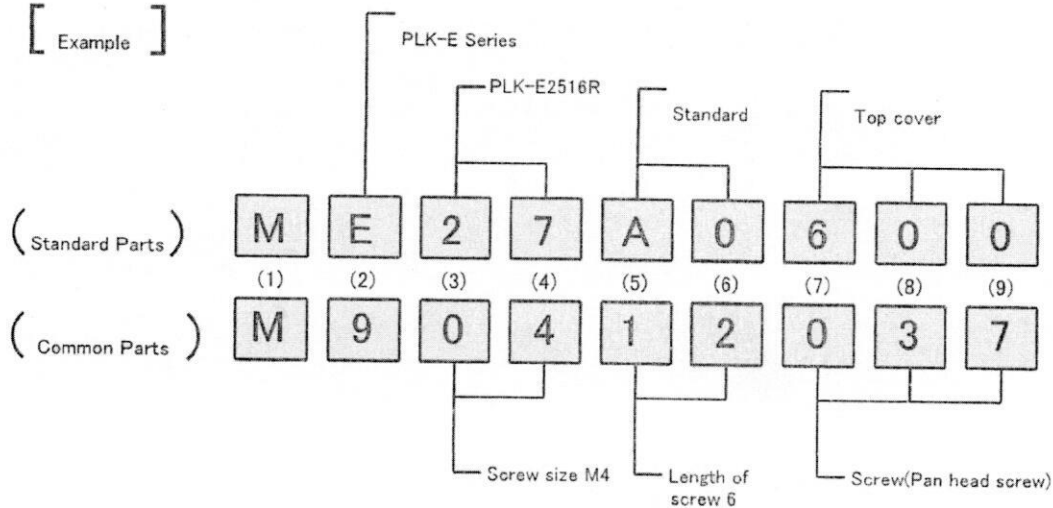


1.

Please inform the part number, when these parts are ordered.



[Example]



2.

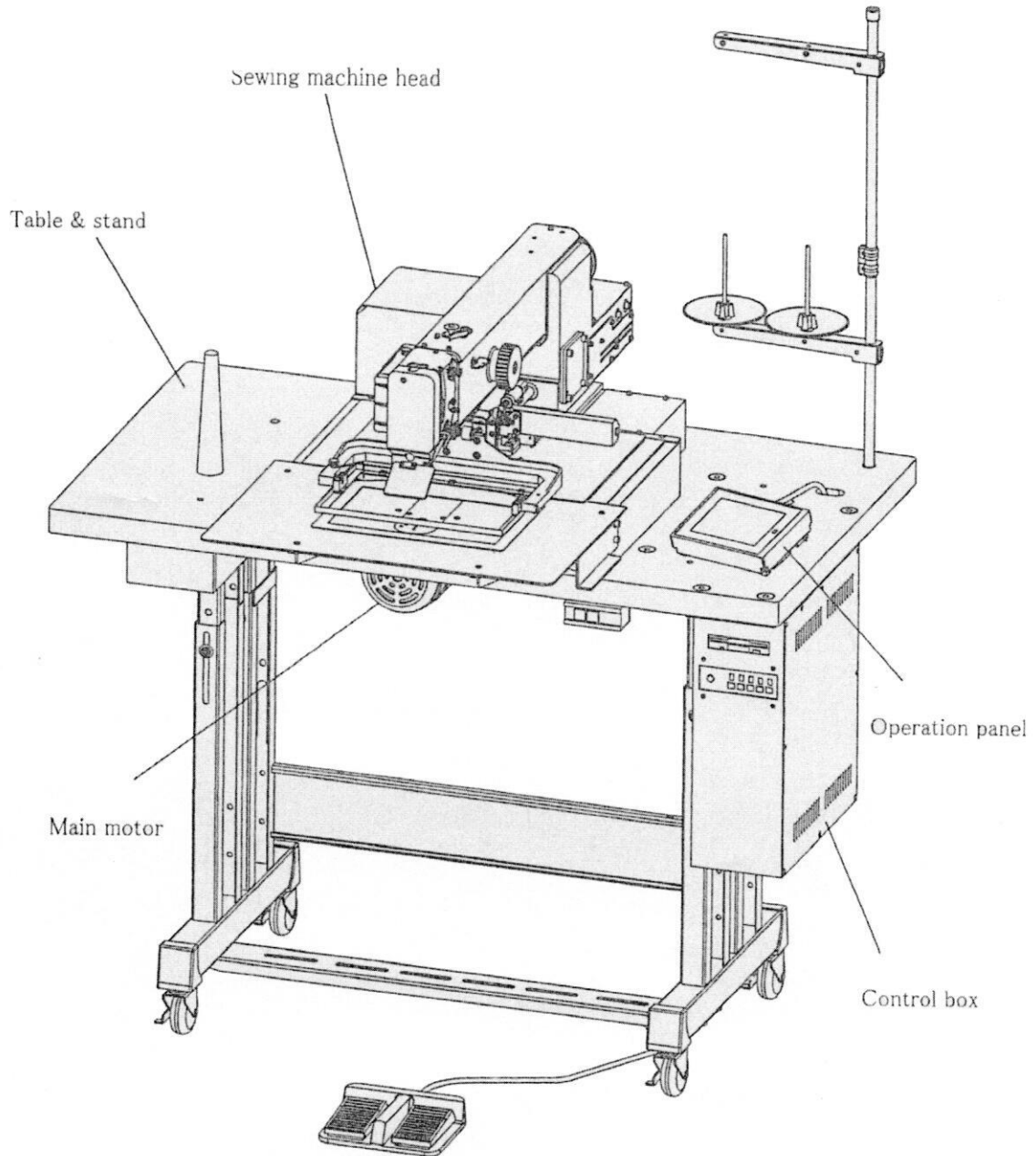
CONCERNING MODIFICATION MARK.

The parts marked with * in the modification column has been changed the shape or size etc. So when these modified parts are ordered please inform the serial number of the sewing machine.

Sewing machine Models, of Standard Parts are Indicated model of these parts are registered firstly. Parts are used for not only the indicated model, but also another models, in reason of New development, improvement after.

A

CONSTRUCTION

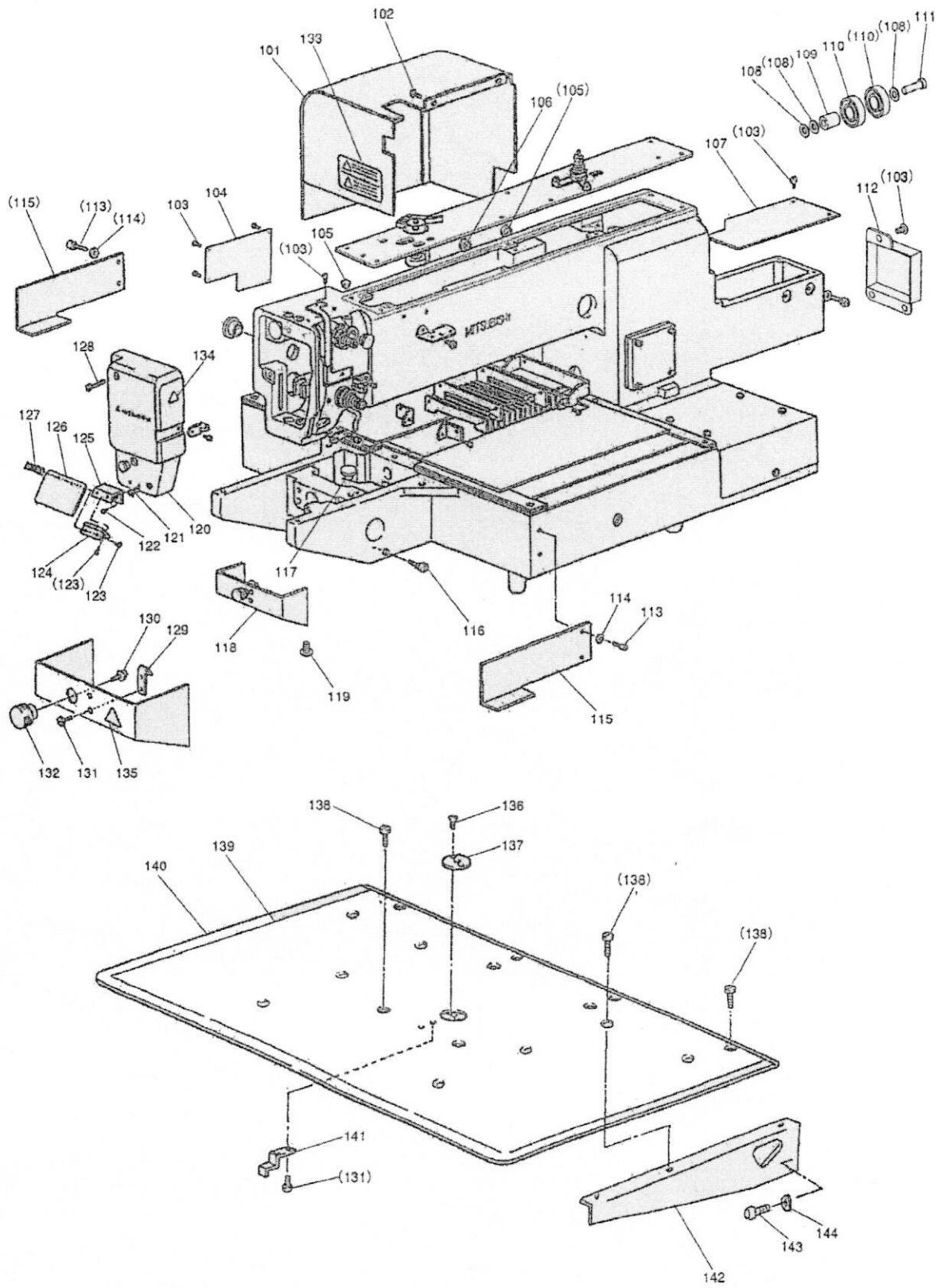


Remarks 1) Concerning about the motor parts please refer to the parts catalog of

Remarks 2) The parts which Fig.No are not marked are not available individually. It can be supplied with the whole component.

B

ARM BED & IT'S ACCESSORIES(1)



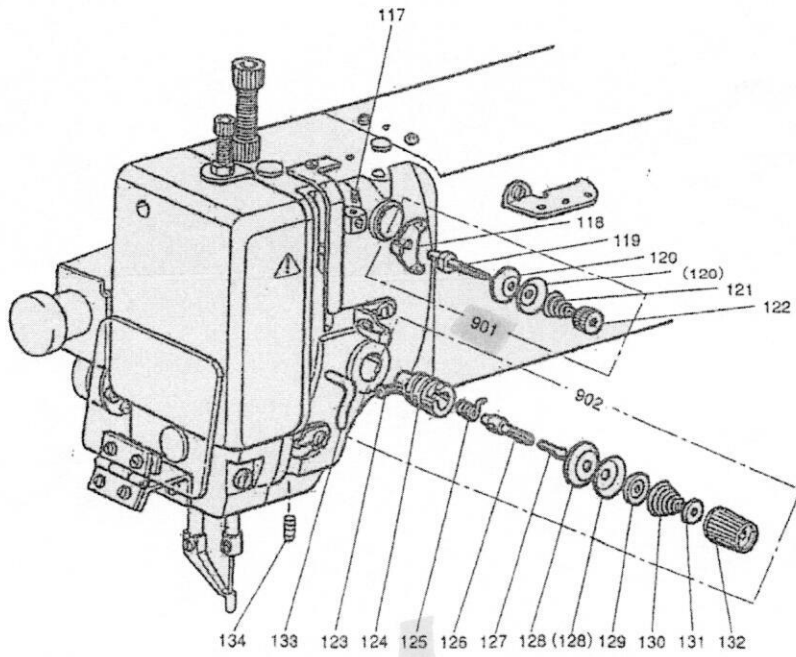
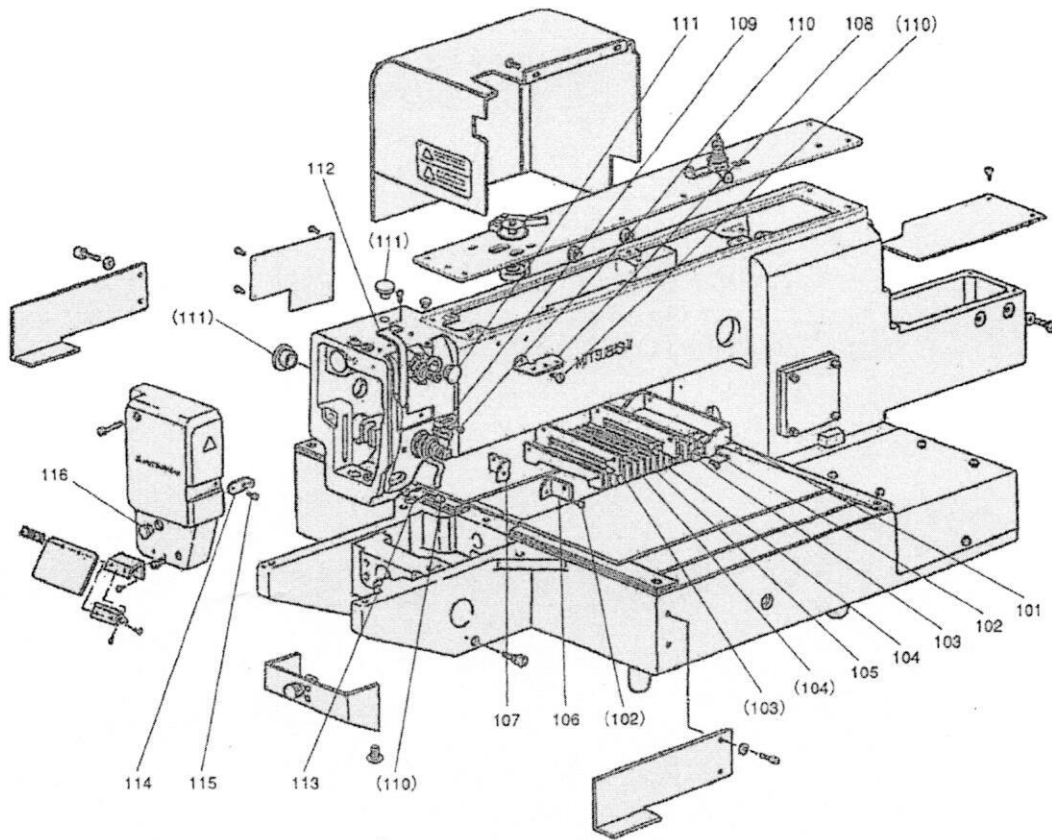
[B].

ARM BED & IT'S ACCESSORIES(1)

Fig no.	Mod.	Parts no.	Description	Amt. Req.
B 101		MB62E0849	Motor cover	1
B 102		M91071004	Screw M4X8	3
B 103		M91054004	Screw M4X8	11
B 104		ME10A0742	Cover	1
B 105		M91304080	Rubber plug	3
B 106		M90883080	Rubber plug	1
B 107		MB25A0742	Cover	1
B 108		M90823050	Washer 8	3
B 109		MB60A0750	Holder	1
B 110		MS10A1456	Bearing	2
B 111		M91803022	Bolt M8X40	1
B 112		ME25A0339	Cover	1
B 113		M96002017	Bolt M6X12	4
B 114		M90631050	Washer 6	4
B 115		MB61A0601	Holder	2
B 116		M91067004	Screw M5X10	2
B 117		M90573080	Rubber plug	1
B 118		ME27A0339	Cylinder cover	1
B 119		M90859004	Screw M3X6	4
B 120		ME20A0830	Face plate	1
B 121		M91055004	Screw M4X22	1
B 122		M91110002	Screw 11/64(40)X8	2
B 123		M90806002	Screw 1/8(44)X6	4
B 124		MS01A1739	Hinge	1
B 125		MB61A1601	Eye guard bracket	1
B 126		MS01A0160	Eye guard	1
B 127		MS01A0477	Adapter	1
B 128		M91066004	Screw M4X25	1
B 129		M91058004	Screw M4X6	1
B 130		MS01A0361	Latch	1
B 131		M90906003	Screw 9/64(40)X3.2	4
B 132		MB61A0650	Knurled knobs	1
B 133		MB61A0459	Warnig seal	1
B 134		MB61A1459	Warnig seal	1
B 135		MB61A2459	Warnig seal	1
B 136		M90605010	Screw 3/32(56)X2.8	2
B 137		MS02A1101	Needle plate	1
B 138		M90990002	Screw M4X8	12
B 139		MB61A0797	Film sheet	1
B 140		MB61A0470	Slide plate	1
B 141		MS10A0192	Leaf spring	1
B 142		MB25A0426	Bracket	1
B 143		M95002017	Bolt M5X12	6
B 144		M90511050	Washer 5	6

C

ARM BED & ITS ACCESSORIES(2)



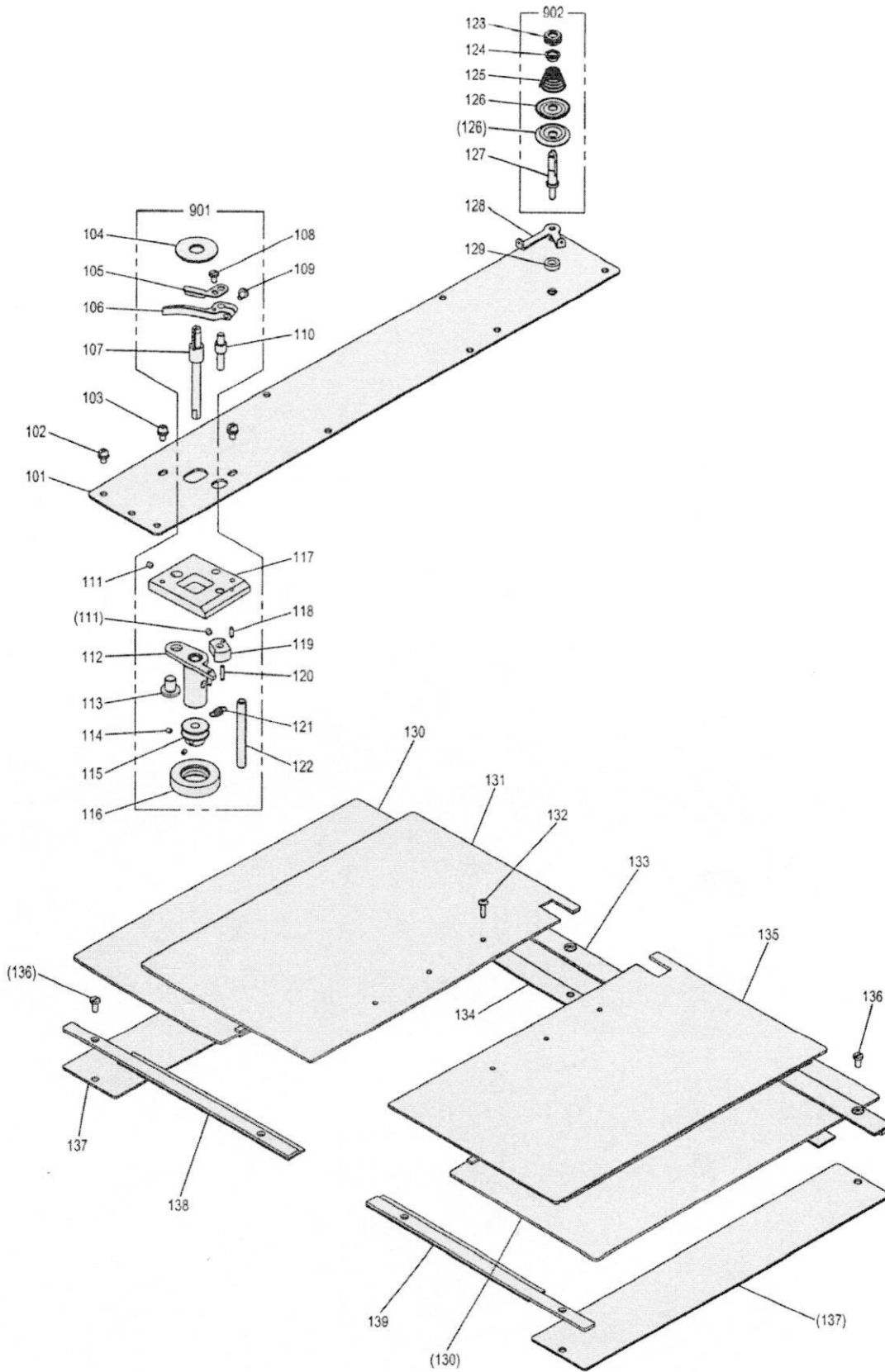
[C].

ARM BED & IT'S ACCESSORIES(2)

Fig no.	Mod.	Parts no.	Description	Amt. Req.
C 101		MB25A1601	Shutter adapter.....	1
C 102		M91058004	Screw M4X6.....	4
C 103		MA20A0257	Shutter holder.....	2
C 104		M90859004	Screw M3X6.....	4
C 105		MA20A0458	Shutter.....	1
C 106		MB25A2601	Shutter adapter (R).....	1
C 107		MB25A3601	Shutter adapter (L).....	1
C 108		MF36A1180	Thread guide.....	1
C 109		MG43A0181	Thread guide.....	1
C 110		M91011004	Screw M4X6.....	3
C 111		M91910080	Rubber plug.....	3
C 112		MF03A0584	Thread take-up lever guard.....	1
C 113		MF10A0181	Thread guide.....	1
C 114		MG43A1181	Thread guide.....	1
C 115		M90909003	Screw 9/64(40)X6.....	2
C 116		M91182080	Rubber plug.....	1
C 117		M91053020	Screw M4X6.....	2
C 118		MF00A0181	Thread guide.....	1
C 119		MF90A0553	Thread tension stud.....	1
C 120		MF10A1555	Thread tension discs.....	2
C 121		MF36A0245	Thread tension spring.....	1
C 122		M91101046	Thumb nut.....	1
C 123		M90901002	Screw 9/64(40)X4.....	1
C 124		MF10A0709	Thread tension regulator bushing.....	1
C 125		MF10A0187	Thread take-up spring.....	1
C 126		MF10A0553	Thread tension stud.....	1
C 127		M90204060	Thread tension releasing pin.....	1
C 128		MF10A0555	Thread tension discs.....	2
C 129		MM11A0556	Disc retaining plate.....	1
C 130		MN52A1245	Thread tension spring.....	1
C 131		MT60A0802	Thumb nut revolution stopper.....	1
C 132		M91610046	Thumb nut.....	1
C 133		MF70A1180	Thread guide.....	1
C 134		M95004020	Screw M5X8.....	1
C 901		MF00E0550	Thread tension regulator assy.....	1
C 902		MA16E0210	Thread tension regulator assy.....	1

D

ARM BED & IT'S ACCESSORIES(3)



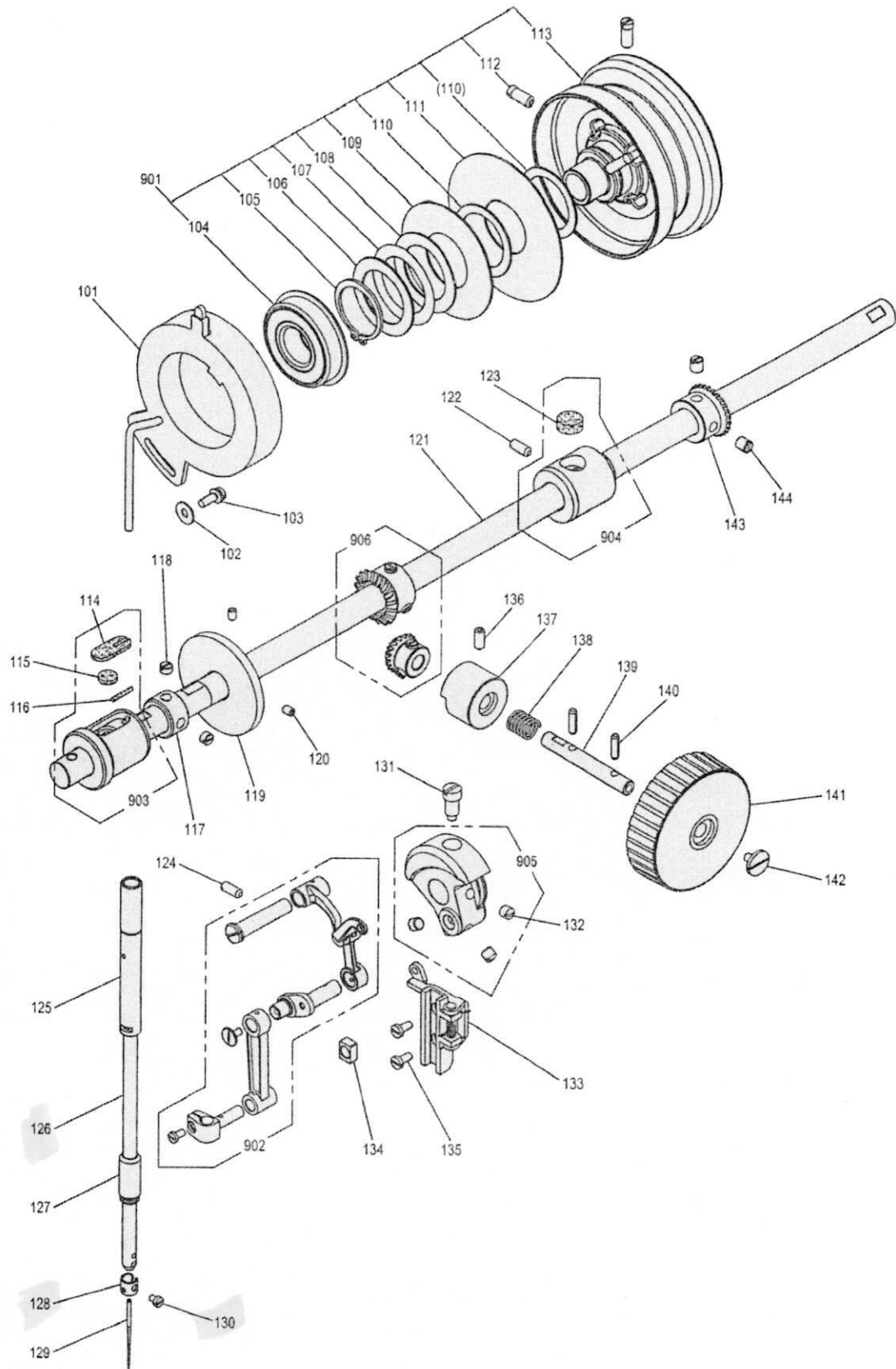
[D]

ARM BED & IT'S ACCESSORIES(3)

Fig no.	Mod.	Parts no.	Description	Amt. Req.
D 101		ME27A0600	· Top cover·····	1
D 102		M91054004	· Screw M4X8·····	8
D 103		M91013004	· Screw M4X10·····	2
D 104		MA20A0476	· Spacer·····	1
D 105		ME25A0551	· Adjuster plate·····	1
D 106		ME25A0950	· Lever·····	1
D 107		MA16A0530	· Driven shaft·····	1
D 108		M90920002	· Screw 9/64(40)X6.5·····	1
D 109		M90939002	· Screw 9/64(40)X11·····	1
D 110		ME25A0530	· Shaft·····	1
D 111		M91055020	· Screw M4X4·····	2
D 112		MB61E0750	· Lever·····	1
D 113		M99006063	· Pin·····	1
D 114		M91057020	· Screw M3X4·····	2
D 115		MA20A0194	· Wheel·····	1
D 116		MS03A0417	· Tire·····	1
D 117		MB60A1601	· Bracket·····	1
D 118		M91004067	· Pin ϕ 2.5X8·····	1
D 119		MS14A0350	· Cam·····	1
D 120		M91005067	· Pin ϕ 2.5X12·····	1
D 121		MS14A0572	· Spring·····	1
D 122		M90602064	· Pin ϕ 6X40·····	1
D 123		M91602046	· Thumb nut·····	1
D 124		MM11A0702	· Spring guide·····	1
D 125		MM11A0245	· Thread tension spring·····	1
D 126		MF10A0555	· Thread tension discs·····	2
D 127		MS14A0553	· Thread tension stud·····	1
D 128		MS14A1180	· Thread guide·····	1
D 129		MG75A1476	· Spacer·····	1
D 130		MB25A2339	· X-movable plate assy·····	2
D 131		MB25B1339	· X-cover plate assy (L)·····	1
D 132		MB25A1339	· X-cover plate assy (R)·····	1
D 133		M90103036	· Screw M3X12·····	6
D 134		MB25A0359	· Cover guide assy (rear)·····	1
D 135		MB25A0476	· Spacer·····	1
D 136		M90990002	· Screw M4X8·····	8
D 137		MB25A3339	· X-Y cover·····	2
D 138		MB25B1476	· Spacer assy (L)·····	1
D 139		MB25A1476	· Spacer assy (R)·····	1
D 901		ME20E0190	· Bobbin winder·····	1
D 902		MS14E0180	· Thread tension Regulator assy·····	1

E

SEWING MECHANISM(1)



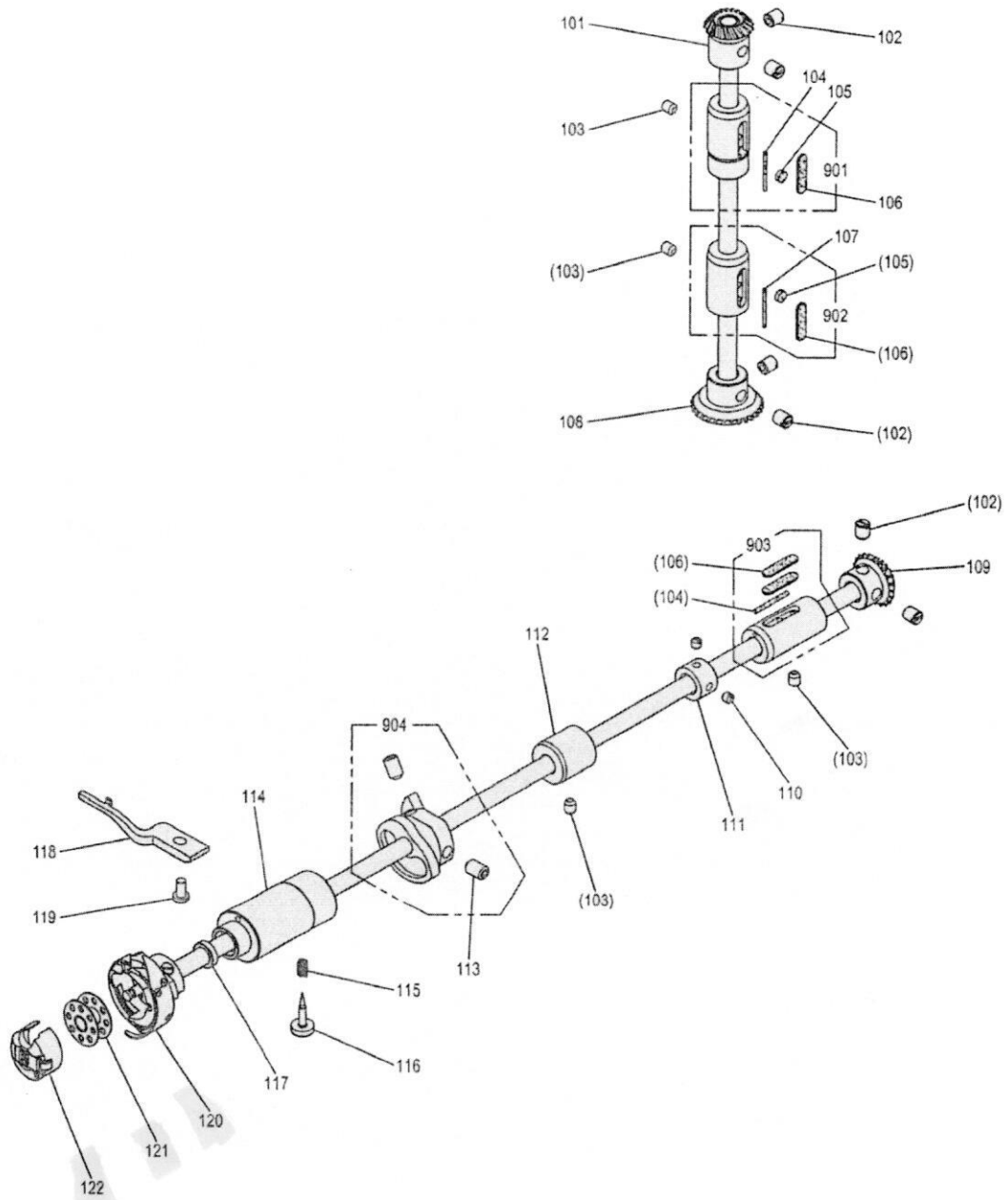
[E]

SEWING MECHANISM(1)

Fig no.	Mod.	Parts no.	Description	Amt. Req.
E 101		MB60A2406	Detector	1
E 102		M90421050	Washer 4	1
E 103		M91059004	Screw M4X12	1
E 104		MN10A1456	Ball bearing	1
E 105		M90330065	C-type retaining ring 30	1
E 106		M93001050	Washer	1
E 107		MF01A0259	Wave washer	1
E 108		MF01A1476	Spacer B	1
E 109		MN72A1694	Command disk F20 (up)	1
E 110		MF01A0476	Spacer A	2
E 111		MB60A0694	Command disk K10 (down)	1
E 112		M91520002	Screw 15/64(28)X12	2
E 113		MB60E0682	Pulley	1
E 114		MG50A0740	Felt	1
E 115		MS10A1740	Felt	2
E 116		MV88A0740	Felt	1
E 117		MF70A0352	Collar	1
E 118		M91602001	Screw 1/4(40)X4	2
E 119		MS14A0682	Pulley	1
E 120		M91053020	Screw M4X6	2
E 121		MB25A0230	Drive shaft	1
E 122		M91223001	Screw M5X10	1
E 123		MB61A0740	Felt	1
E 124		M91221001	Screw M5X12	1
E 125		MS10A0663	Needle bar bushing (upper)	1
E 126		MA25A0660	Needle bar	1
E 127		MF10A0664	Needle bar bushing (lower)	1
E 128		MG42A0181	Thread guide	1
E 129		MS02A0128	Needle DPX17#18	1
E 130		M90815002	Screw 1/8(44)X4.5	1
E 131		M91802006	Set screw 9/32(28)	1
E 132		M91606001	Screw 1/4(40)X6	3
E 133		MG44E0662	Guide assy	1
E 134		MF10A0325	Square block	1
E 135		M90990002	Screw M4X8	2
E 136		M95006020	Screw M5X12	1
E 137		ME25A0833	Bushing	1
E 138		MA35A2572	Spring	1
E 139		ME25A0454	Shaft	1
E 140		M90406064	Pin ϕ 4X14	2
E 141		ME25A0682	Hand pulley	1
E 142		M91119002	Screw M4X8	1
E 143		MF40A0331	Bevel gear for arm shaft	1
E 144		M91610001	Screw 1/4(40)X7	2
E 901		MB60E1682	Pulley assy	1
E 902		MS05E0580	Thread take-up lever assy	1
E 903		MS10A0232	Drive shaft bushing L assy	1
E 904		MB61E0234	Drive shaft bushing C assy	1
E 905		MF60A1383	Crank assy	1
E 906		ME25E0331	Bevel gear assy	1

F

SEWING MECHANISM(2)



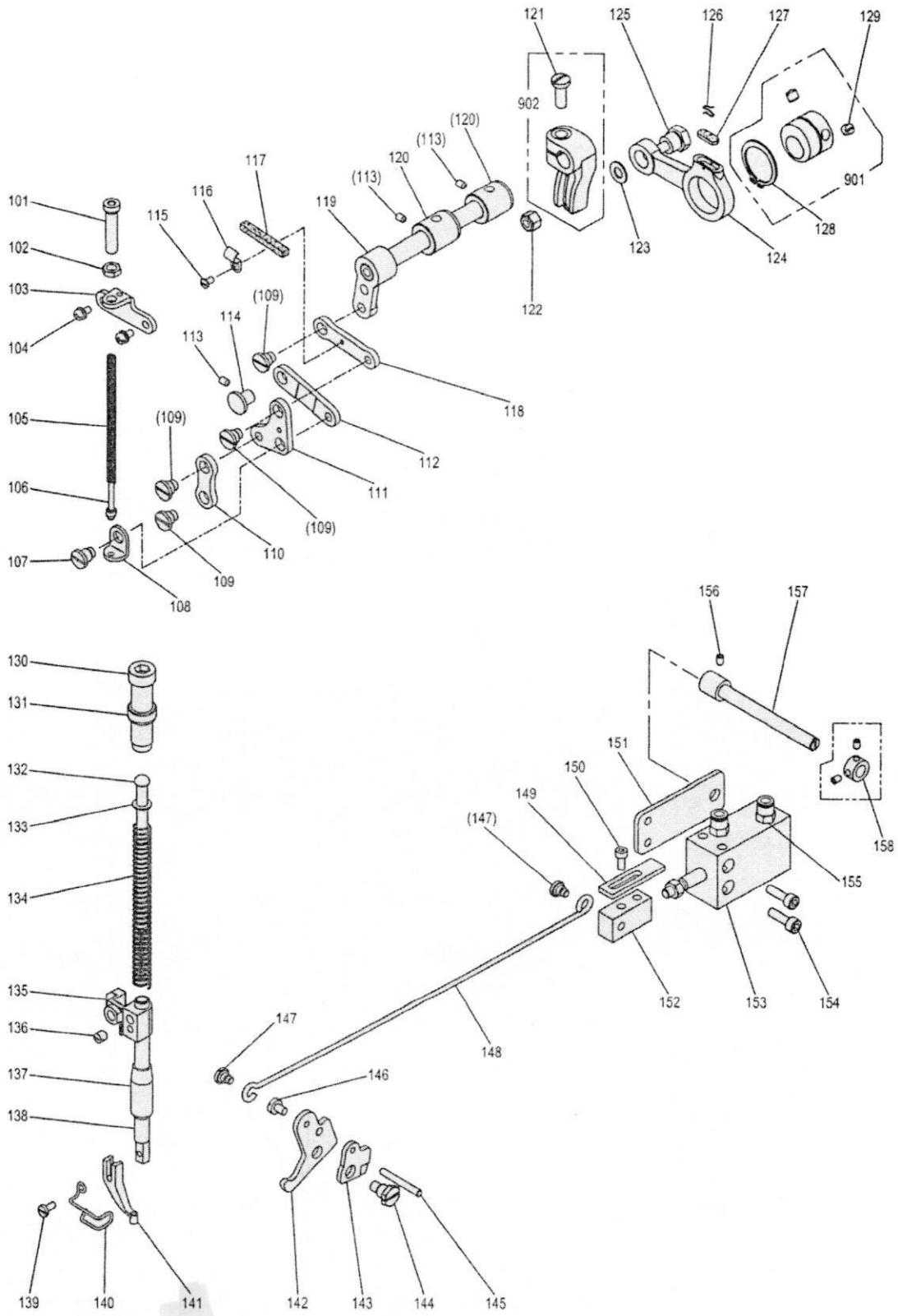
[F]

SEWING MECHANISM(2)

Fig no.	Mod.	Parts no.	Description	Amt. Req.
F 101		MF40A0333	Bevel gear for vertical shaft (upper).....	1
F 102		M91610001	Screw 1/4(40)X7.....	6
F 103		M95002020	Screw M5X6.....	4
F 104		MB61A0148	Felt.....	2
F 105		MS10A0740	Felt.....	2
F 106		MF60A0740	Felt.....	4
F 107		MN70E1148	Felt.....	1
F 108		MF10A0334	Bevel gear for vertical shaft (lower).....	1
F 109		MF10A0332	Bevel gear for hook shaft.....	1
F 110		M91106001	Screw 11/64(40)X3.7.....	2
F 111		MF01E0352	Collar.....	1
F 112		MF00A0453	Hook shaft bushing (M).....	1
F 113		M91602020	Screw 1/4(40)X10.....	2
F 114		MS10A0451	Hook shaft bushing (L).....	1
F 115		MG30A0700	Spring.....	1
F 116		M90801006	Screw M3X9.5.....	1
F 117		M90800086	Oil seal.....	1
F 118		MF20A0229	Hook positioner.....	1
F 119		M90990002	Screw M4X8.....	1
F 120		ME20A0120	Hook complete.....	1
F 121		MF25B0123	Bobbin.....	1
F 122		MG44E0125	Bobbin case.....	1
F 901		MB61E0521	Vertical shaft bushing (upper) assy.....	1
F 902		MB25E0522	Vertical shaft bushing (lower) assy.....	1
F 903		MB61E0452	Hook shaft bushing (R) assy.....	1
F 904		MF01E0350	Thread trimmer cam.....	1

G

PRESSER BAR LIFTING MECHANISM



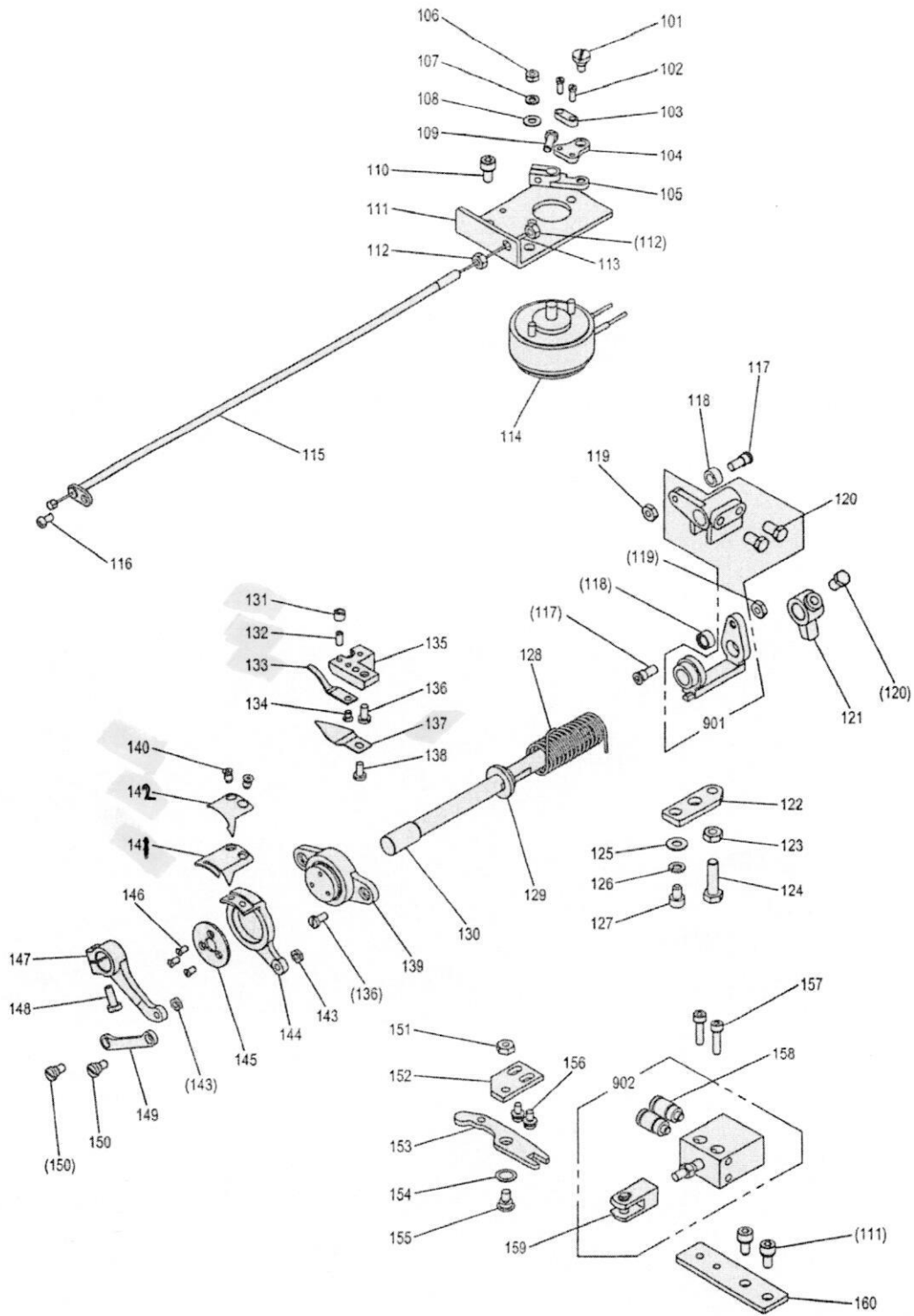
[G]

PRESSER BAR LIFTING MECHANISM

Fig no.	Mod.	Parts no.	Description	Amt. Req.
G 101		M91801035	Thumb screw 9/32(28)X35	1
G 102		M91802045	Nut 9/32(28)	1
G 103		ME10A0261	Bracket	1
G 104		M91056004	Screw M4X10	2
G 105		ME10A0572	Spring	1
G 106		MS03A6154	Spring guide bar	1
G 107		M91689015	Screw 1/4(40)	1
G 108		ME20A0426	Supporter	1
G 109		M91688015	Screw 1/4(40)	4
G 110		ME10A6910	Link	1
G 111		ME10A0763	Bell crank	1
G 112		ME10A7910	Link	1
G 113		M91058020	Screw M4X10	3
G 114		M99006063	Pin	1
G 115		M90909003	Screw 9/64(40)X6	1
G 116		MN70A1780	Holder	1
G 117		MG30A0740	Felt	1
G 118		ME10A1956	Link	1
G 119		MS02E0460	Arm shaft assy	1
G 120		MG30A0833	Bushing	2
G 121		M91603003	Screw 1/4(40)X16	1
G 122		M91572045	U-nut 6X0.75	1
G 123		M90631050	Washer 6	1
G 124		ME10A0956	Crank rod	1
G 125		M91551015	Bolt M6	1
G 126		MF60A0700	Holder	1
G 127		MG30B0740	Felt	1
G 128		M90325065	C-type retaining ring 25	1
G 129		M91606001	Screw 1/4(40)X6	2
G 130		M93220035	Thumb screw 1/2(28)X43	1
G 131		M93202047	Nut 1/2(28)	1
G 132		MF20A0703	Presser bar guide	1
G 133		M90632050	Washer 6	1
G 134		MS02A0259	Spring	1
G 135		MG75A0265	Presser bar holder	1
G 136		M91506001	Screw 15/64(28)X6	1
G 137		MF10A0267	Bushing	1
G 138		MS03A0262	Presser bar	1
G 139		M90922002	Screw 9/64(40)X8	1
G 140		MB62A0626	Needle guard	1
G 141		MV30A0256	Presser foot ϕ 3	1
G 142		ME10A1252	Lifting lever	1
G 143		MF70A0350	Plate cam	1
G 144		M91504031	Bolt 15/64(28)	1
G 145		M90423060	Pin	1
G 146		M91131002	Screw 11/64(40)X6.5	1
G 147		M91219015	Screw 3/16(28)	2
G 148		ME27A0738	Link	1
G 149		ME25A0477	Stopper	1
G 150		M95003017	Bolt M5X8	2
G 151		ME25A0601	Adapter	1
G 152		ME25A0571	Joint	1
G 153		ME25A0434	Air cylinder	1
G 154		M95006017	Bolt M5X22	2
G 155		ME40A0571	Connector	1
G 156		M95004020	Screw M5X8	1
G 157		ME20A0530	Shaft	1
G 158		ME20A0352	Collar	1
G 901		MG30A0760	Eccentric cam assy	1
G 902		MS02A0463	Arm (right)	1

H

THREAD TRIMMING MECHANISM

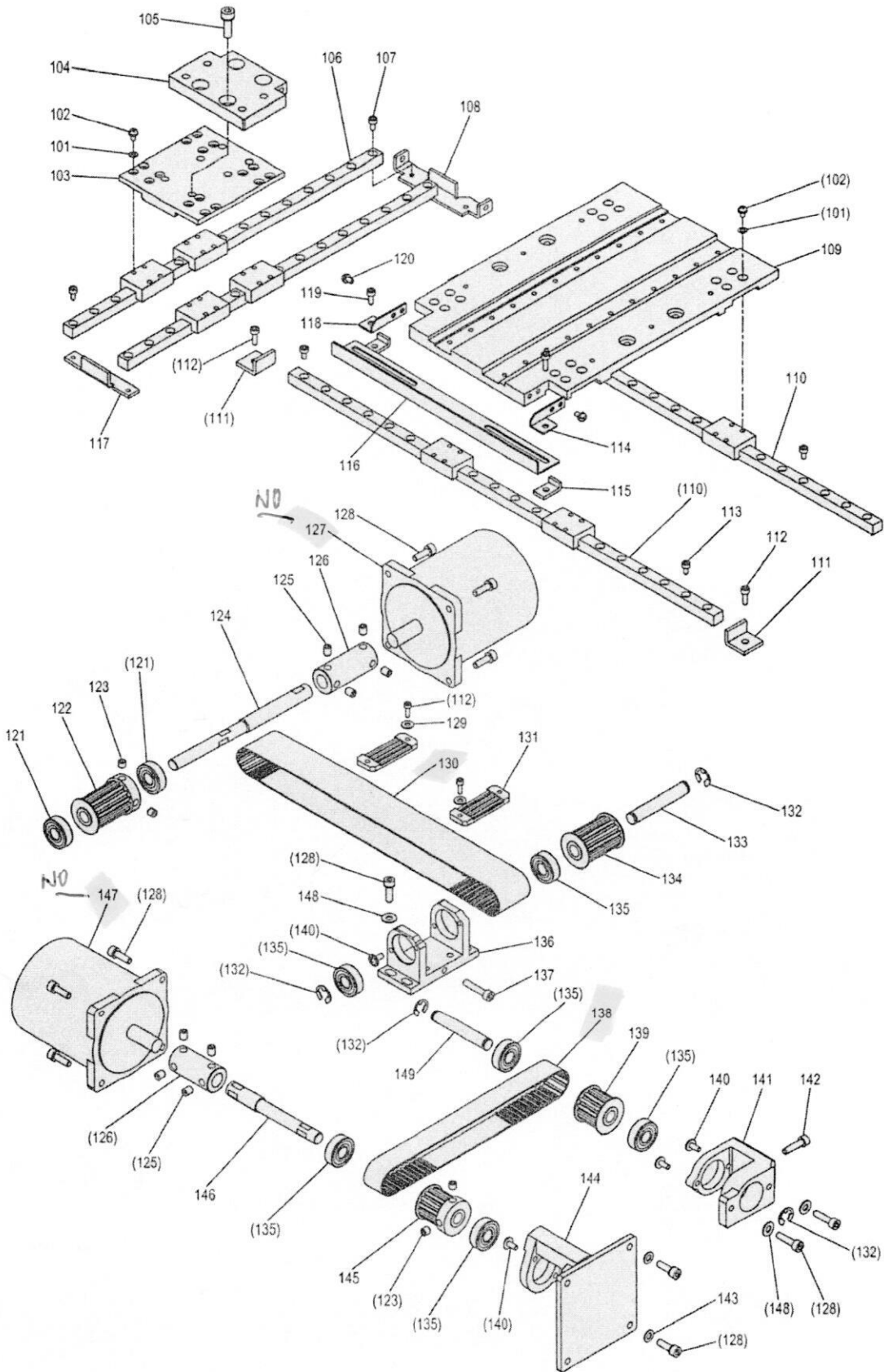


THREAD TRIMMING MECHANISM

Fig no.	Mod.	Parts no.	Description	Amt. Req.
H 101		M91127015	Screw 11/64(40)	1
H 102		M90802002	Screw 1/8(44)X7	2
H 103		MF36A0750	Holder	1
H 104		MF90A0361	Bracket	1
H 105		MS07A0228	Crank	1
H 106		M91007045	Nut M4	2
H 107		M90424053	Spring washer 4	2
H 108		M90421050	Washer 4	2
H 109		M91112002	Screw 11/64(40)X12	1
H 110		M95005017	Bolt M5X10	4
H 111		MA20A0603	Solenoid bracket	1
H 112		M91382045	Nut M5	2
H 113		MN60A0750	Pipe	1
H 114		ME27E0519	Solenoid (thread release)	1
H 115		ME27E0746	Flexible wire assy	1
H 116		M91069004	Screw M4X8	1
H 117		MF00A0412	Roller stud	2
H 118		MF00A0411	Roller	2
H 119		M91201045	Nut 3/16(28)	2
H 120		M91501022	Bolt 15/64(28)X10	3
H 121		ME20E0477	Stopper	1
H 122		MF00A1477	Stopper plate	1
H 123		M91502045	Nut 15/64(28)	1
H 124		M91512022	Bolt 15/64(28)X20	1
H 125		M90552050	Washer 5	2
H 126		M90501053	Spring washer 5	2
H 127		M95009021	Bolt M5X8	2
H 128		MA25A0572	Spring	1
H 129		MF00A0750	Bushing	1
H 130		MA25A0891	Knife driving shaft	1
H 131		M91110045	Nut 9/64(40)	1
H 132		M90913001	Screw 9/64(40)X8.5	1
H 133		MS10A0838 -Tw -	Fixed blade	1
H 134		M90907010	Screw 9/64(40)X5	1
H 135		MF00A1603	Bracket for fixed blade	1
H 136		M90990002	Screw M4X8	3
H 137		MS07A0180 -	Thread guide	1
H 138		M90921002	Screw 9/64(40)X8	1
H 139		MF00A1527	Knife holding bracket saddle	1
H 140		M91151010	Screw 11/64(40)X7	2
H 141		MF02A0834 -Tw -	Movable knife (left)	1
H 142		MS07A0782	Guard plate	1
H 143		M91107045	Nut 11/64(40)	2
H 144		MS07A0836	Knife base (left)	1
H 145		M94006052	Washer	1
H 146		M90803010	Screw 1/8(44)X6	3
H 147		MF00A0392	Knife driving crank	1
H 148		M91117002	Screw 11/64(40)X13	1
H 149		MF00A8910	Link	1
H 150		M91111015	Screw 11/64(40)	2
H 151		M91202045	Nut 3/16(28)	1
H 152		MS07A1603	Adapter	1
H 153		MF00A0391	Flexible	1
H 154		M90834050	Washer	1
H 155		M91212015	Screw 3/16(28)	1
H 156		M91054004	Screw M4X8	2
H 157		M94018017	Bolt M4X18	2
H 158		MA20A5571	Connector	2
H 159		MA16A0621	Knuckle	1
H 160		MA25A0601	Cylinder bracket	1
H 901		MB61E0351	Cam follower crank assy	1
H 902		MB61E0434	Air syylinder assy	1

J

X-Y TABLE MECHANISM



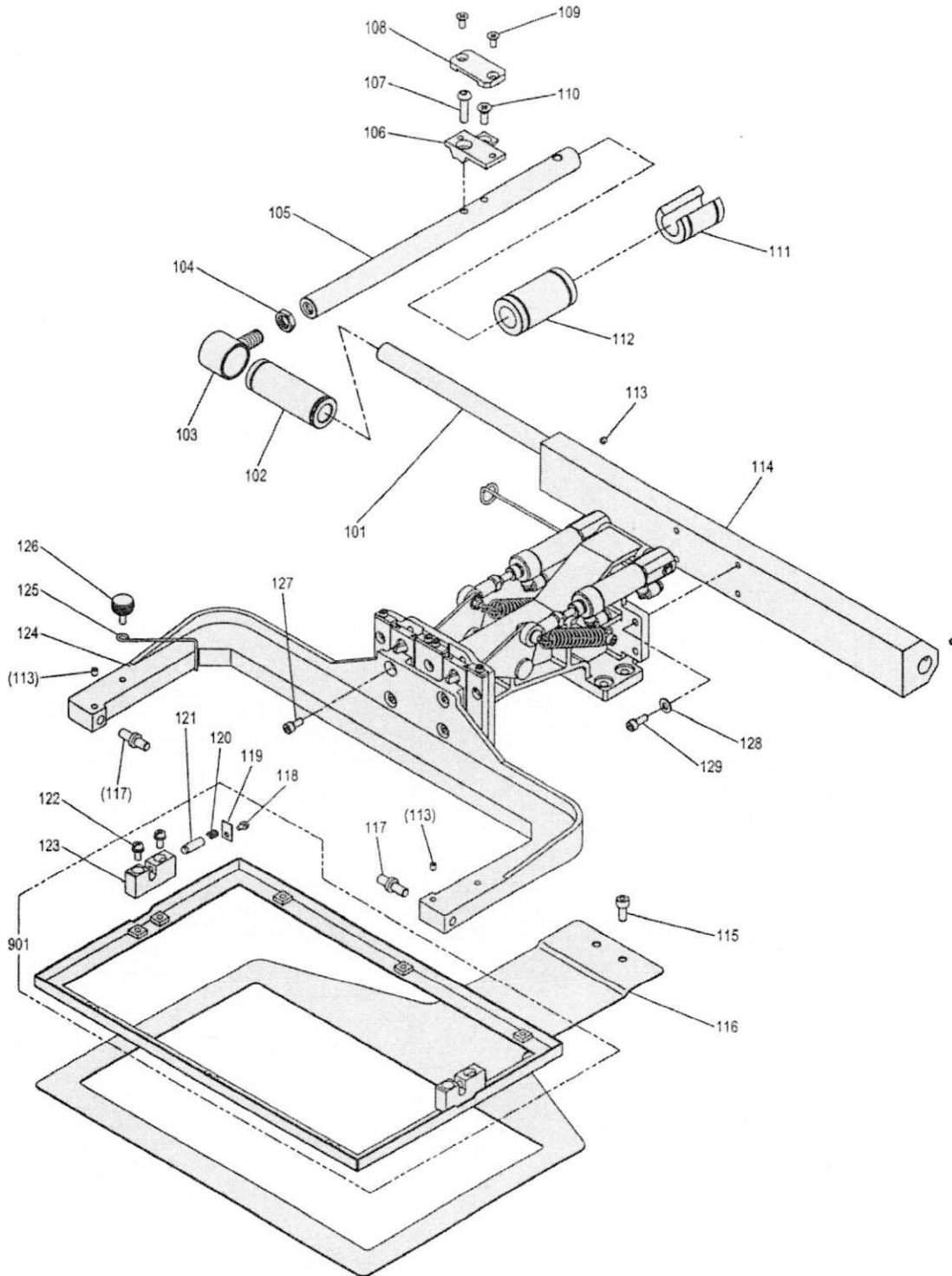
[J]

X-Y TABLE MECHANISM

Fig no.	Mod.	Parts no.	Description	Amt. Req.
J 101		M90317050	Washer 3	32
J 102		M90814004	Screw M3X5.2	32
J 103		MB62E0957	Y-movable race	1
J 104		MB25A4601	Clamp adapter	1
J 105		M95002017	Bolt M5X12	4
J 106		MA20A5920	Y-liner way	2
J 107		M93004021	Bolt M3X5	26
J 108		MB25A0477	Y-stopper	1
J 109		MB62E1957	X-movable race	1
J 110		MA20A4920	X-linear way	2
J 111		MB62E2477	X-stopper	2
J 112		M94001017	Bolt M4X10	6
J 113		M95013021	Bolt M3X10	24
J 114		MB60A1429	Bracket (right)	1
J 115		MB60A2601	Bracket	2
J 116		MB62A2407	Detector plate X	1
J 117		MB25A1477	Y-stopper (front)	1
J 118		MB60A0429	Bracket (left)	1
J 119		M94008017	Bolt M4X6	2
J 120		M90816004	Screw M3X8	4
J 121		MB62A0456	Bearing	2
J 122		MB45A0767	Cog pulley	1
J 123		M96001001	Screw M6X8	4
J 124		MB25A0390	X-drive shaft	1
J 125		MB61A0571	Coupling	2
J 126		M96002001	Screw M6X6	8
J 127		M95044095	Motor complete (X)	1
J 128		M95004017	Bolt M5X16	18
J 129		M90421050	Washer 4	4
J 130		MB62A0523	Cog belt (X)	1
J 131		MA35A1781	Belt clasper (X)	2
J 132		M90604065	E-type retaining ring 8	4
J 133		MA21P0454	Shaft	1
J 134		MB62A0767	Cog pulley	1
J 135		MS02A2456	Ball bearing	6
J 136		MA35A6758	Bracket	1
J 137		M95015021	Bolt M5X20	1
J 138		MB62A1523	Cog belt (Y)	1
J 139		MB61A0767	Cog pulley	1
J 140		M91071004	Screw M4X8	8
J 141		MB61A0758	Bracket	1
J 142		M95011021	Bolt M5X25	1
J 143		M90512050	Washer 5	4
J 144		MB61A1758	Bracket	1
J 145		MB61A2767	Cog pulley	1
J 146		MB61A1454	Y-drive shaft	1
J 147		M95043095	Motor complete (Y)	1
J 148		M90511050	Washer 5	6
J 149		MS02A1454	Shaft	1

K

WORK HOLDER MECHANISM(1)



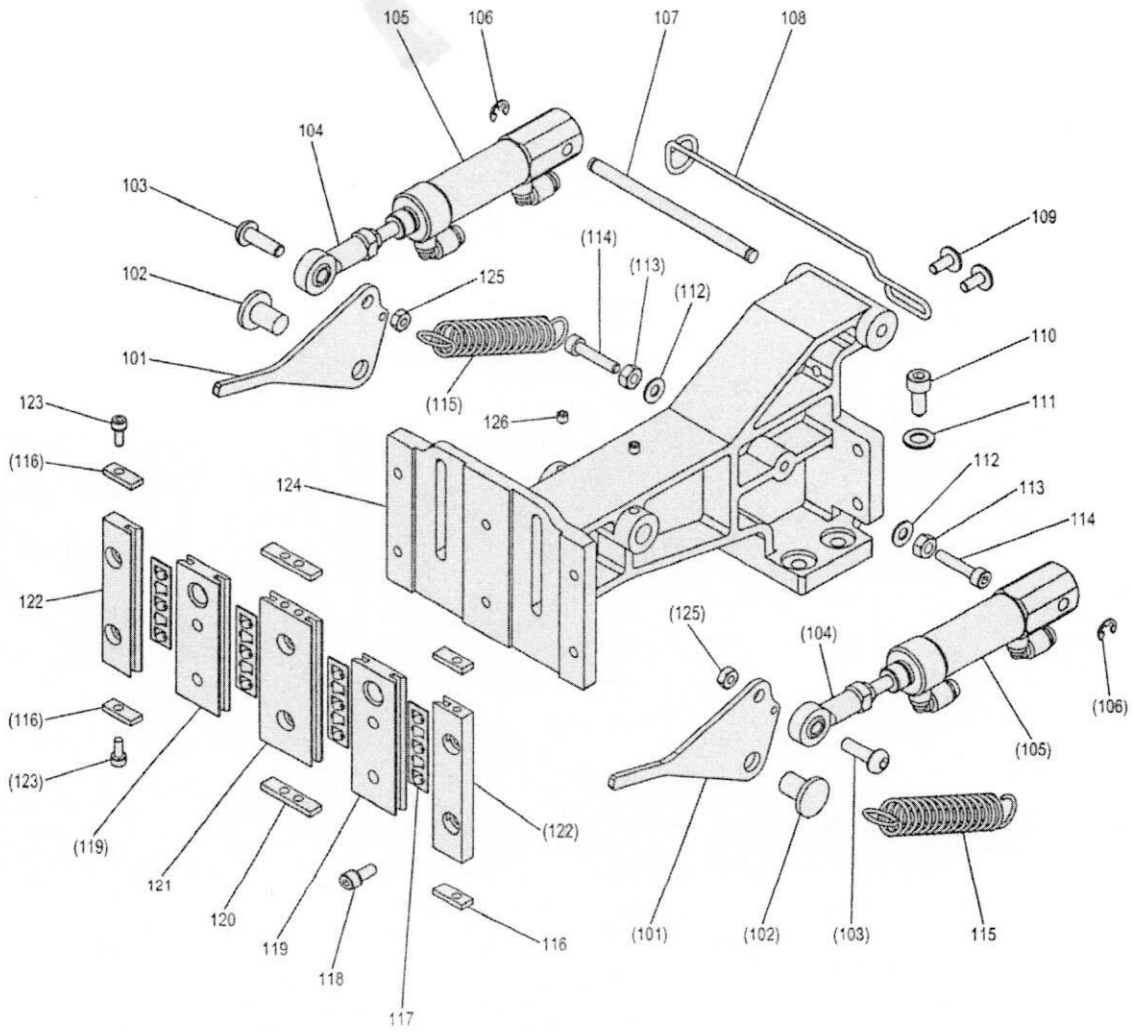
[K]

WORK HOLDER MECHANISM(1)

Fig no.	Mod.	Parts no.	Description	Amt. Req.
K 101		MB62A2454	Shaft.....	1
K 102		MB62A0921	Bearing.....	1
K 103		ME25A0692	Bearing housing.....	1
K 104		M92514045	Nut M10.....	1
K 105		ME27A0390	Y-drive shaft.....	1
K 106		ME25A0781	Y-belt holder.....	1
K 107		M95031021	Bolt M5X12.....	1
K 108		MS02A0778	Belt clasper.....	1
K 109		M90448037	Screw M4X12.....	2
K 110		M90505037	Screw M5X12.....	1
K 111		ME25A0921	Bearing LM-16UU-OP.....	1
K 112		MB62A2921	Bearing N-16VUU.....	1
K 113		M91053020	Screw M4X6.....	4
K 114		MB62A0455	Shaft holder.....	1
K 115		M99002022	Bolt M5X10.....	2
K 116		MB25A0272	Feed plate.....	1
K 117		ME40A0454	Clamp stud.....	2
K 118		M90859004	Screw M3X6.....	2
K 119		MS02B0257	Holder plate.....	2
K 120		MS13A0572	Coil spring.....	2
K 121		M90611060	Pin.....	2
K 122		M91081004	Screw M4X18.....	4
K 123		MB25B1426	Support.....	2
K 124		MB62A0228	Clamp adapter.....	1
K 125		ME27A0477	Stopper.....	1
K 126		MA20A0650	Knurled knob.....	1
K 127		M95005017	Bolt M5X10.....	4
K 128		M90421050	Washer 4.....	4
K 129		M94006017	Bolt M4X16.....	4
K 901		MB25E0105	Clamp frame assy.....	1



WORK HOLDER MECHANISM(2)



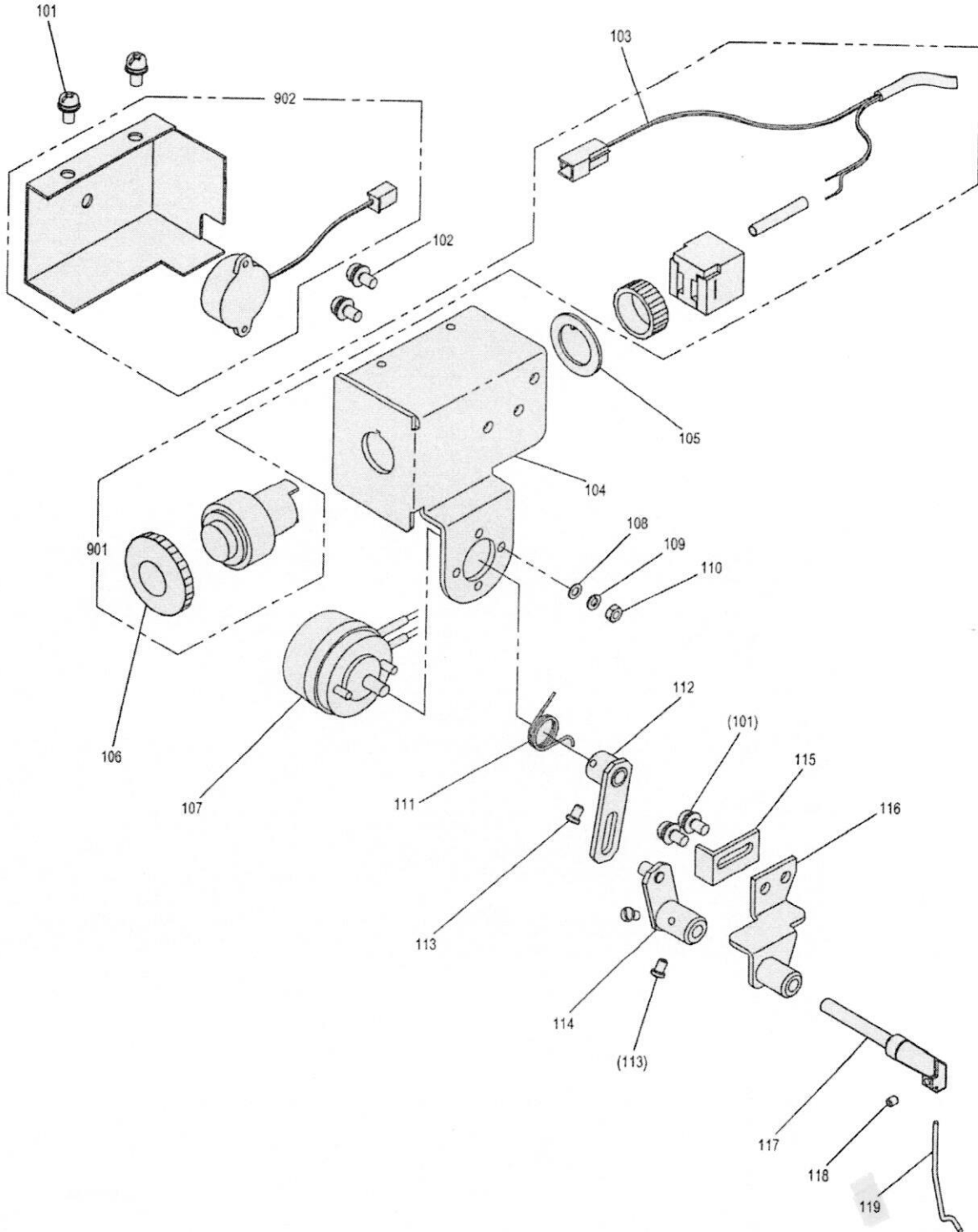
[L]

WORK HOLDER MECHANISM(2)

Fig no.	Mod.	Parts no.	Description	Amt. Req.
L 101		MB62A0950	Pushing lever.....	2
L 102		MB61A3454	Shaft.....	2
L 103		M95037021	Bolt M5X16.....	2
L 104		MN55A0975	Connecting link.....	2
L 105		MB62A1434	Air cylinder (with quick joint).....	2
L 106		M90504065	E-type retaining ring 5.....	2
L 107		M90532060	Pin.....	1
L 108		MB62A0707	Hanger.....	1
L 109		M91013004	Screw M4X10.....	2
L 110		M95001017	Bolt M5X20.....	4
L 111		M90511050	Washer 5.....	4
L 112		M90421050	Washer 4.....	2
L 113		M91007045	Nut M4.....	2
L 114		M94015021	Screw M4X20.....	2
L 115		MB62A0572	Spring.....	2
L 116		MB61A1477	Stopper.....	4
L 117		M94008070	Slide bearing.....	4
L 118		M94001017	Bolt M4X10.....	6
L 119		MB62A1957	Movable race.....	2
L 120		MA22A0477	Stopper.....	2
L 121		MA22A2957	Fixed race.....	1
L 122		MB62A0957	Fixed race.....	2
L 123		M94012017	Bolt M3X8.....	8
L 124		MB62A0263	Clamp bracket.....	1
L 125		M91382045	Nut M5.....	2
L 126		M91055020	Screw M4X4.....	2

M

WIPER MECHANISM



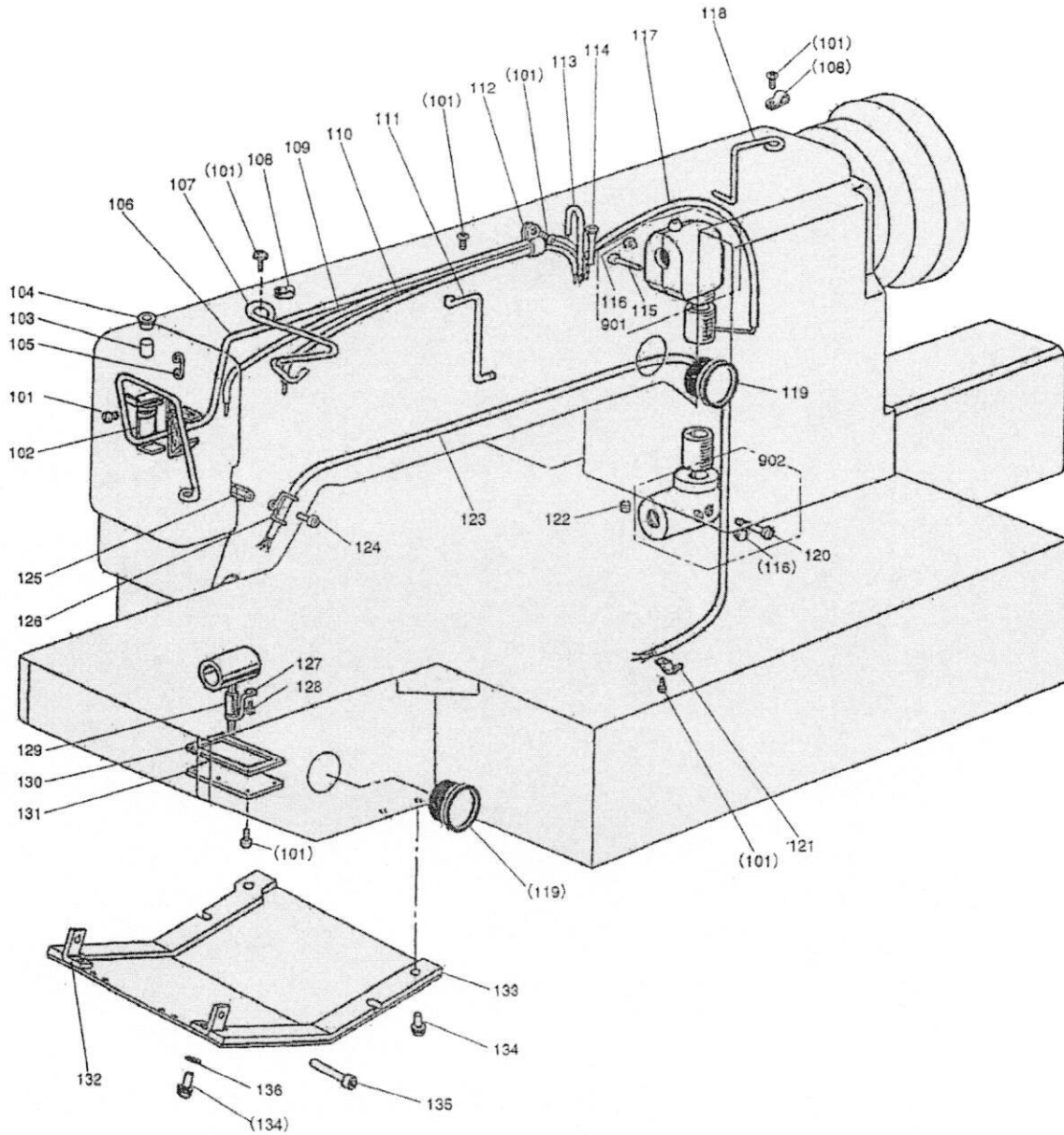
[M]

WIPER MECHANISM

Fig no.	Mod.	Parts no.	Description	Amt. Req.
M 101	M91054004	SW-PWﾌﾞﾗｲﾅﾊﾞｰﾈｼﾞ M4X8	Screw M4X8	2
M 102	M91056004	SW-PWﾌﾞﾗｲﾅﾊﾞｰﾈｼﾞ M4X10	Screw M4X10	4
M 103	M97356099	セｯﾌﾟｸﾞﾃﾞﾝｾﾝ	Cable (stop BZ)	1
M 104	ME10E3601	ﾄﾘｯｹｲﾀ	Bracket	1
M 105	MB60A0915	ﾛｯｸﾘﾝｸﾞ	Lock ring	1
M 106	ME03A0270	ﾌﾞｯｼﾞｬﾀﾝ	Push button	1
M 107	MB61E1519	ﾜｲﾊﾞｰｿﾚﾉｲﾄ	Solenoid (wiper)	1
M 108	M90317050	ｻﾞｶﾞﾈ 3	Washer 3	2
M 109	M90307053	ﾊﾞﾈｻﾞｶﾞﾈ 3	Spring washer 3	2
M 110	M90875045	ﾅｯﾄ M3	Nut M3	2
M 111	MS02A4729	ﾋﾈﾘﾊﾞｰﾈ	Spring	1
M 112	MS02E0983	ｸﾄﾞｲﾀ	Wiper crank	1
M 113	M90802003	ﾏﾙﾋﾗﾈｼﾞ 1/8(44)X4.5	Screw 1/8(44)x4.5	4
M 114	MB61A0436	ｼﾞｬｯﾄﾞｲﾀ	Wiper crank	1
M 115	MS02A1477	ｽﾄｯﾊﾟ	Stopper	1
M 116	MS10A0982	ﾜｲﾊﾞｰﾀﾞｲ	Wiper adapter	1
M 117	MB61E0982	ﾜｲﾊﾞｰｼﾌﾄ	Wiper shaft	1
M 118	M91057020	ﾛｯｶｸﾞｱﾅｯｷﾄﾒﾈｼﾞ M3X4	Screw M3X4	1
M 119	MA20A0980	ﾜｲﾊﾞｰ	Wiper	1
M 901	ME10E0270	ｵｼﾞﾝｸﾞﾀﾝｽｲｯﾁｸﾞﾐ	Switch assy	1
M 902	MB60E3339	ｶﾊﾞｰｸﾞﾐ (ﾌﾞｯｻｰｸﾞﾐ)	Cover assy (with buzzer)	1

N

OIL LUBRICATION MECHANISM



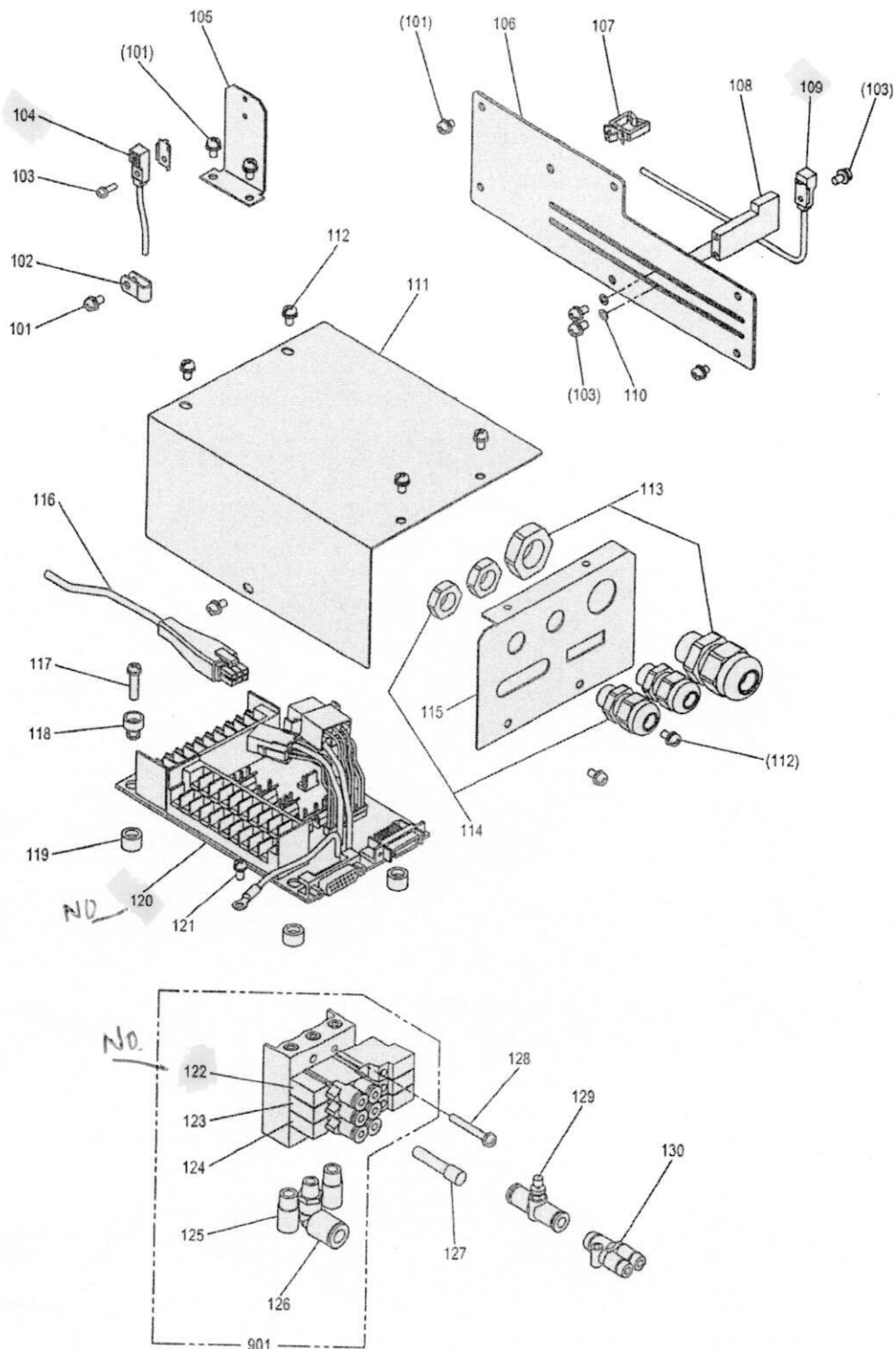
[N]

OIL LUBRICATION MECHANISM

Fig no.	Mod.	Parts no.	Description	Amt. Req.
N 101		M91054004	Screw M4X8	9
N 102		ME10A1780	Holder	1
N 103		MF10A2740	Felt	1
N 104		MF60A0742	Cap	1
N 105		MS03A2780	Holder	1
N 106		MB25E0688	Oil pipe complete	1
N 107		MB61A0780	Holder	1
N 108		MS14A1620	Nylon clip AB-4N	2
N 109		MB25E1688	Oil pipe complete	1
N 110		MB25E2688	Oil pipe complete	1
N 111		MS10A0780	Holder	1
N 112		MN60A0620	Nylon clip AB-5N	2
N 113		MB25E3688	Oil pipe complete	1
N 114		MS10A0688	Pipe	1
N 115		M90531037	Screw M5X14	1
N 116		M90573080	Rubber plug	2
N 117		MB61E1688	Oil pipe complete	1
N 118		ME20A2780	Holder	1
N 119		MN10A0135	Oil gauge	2
N 120		M95014021	Bolt M5X14	1
N 121		MF80A0780	Holder	1
N 122		MF10A2740	Felt	1
N 123		MA25E3688	Oil pipe complete	1
N 124		M91015004	Screw M4X12	1
N 125		M91007045	Nut M4	1
N 126		MF36A0689	Holder	1
N 127		MG43A0689	Pipe holder	1
N 128		M91058004	Screw M4X6	1
N 129		MB61E0688	Oil pipe complete	1
N 130		MS10A1691	Gasket	1
N 131		MS10A1742	Cap	1
N 132		ME27A0601	Adapter	2
N 133		ME27E0742	Cap assy	1
N 134		M91056004	Screw M4X10	6
N 135		M94024017	Bolt M4X20	1
N 136		M90422050	Washer 4	1
N 901		MB61E0711	Arm shaft bevel gear box complete	1
N 902		MB61E0712	Hook shaft bevel gear box complete	1

P

CABLE COMPONENT & PNEUMATIC CONTROL UNIT



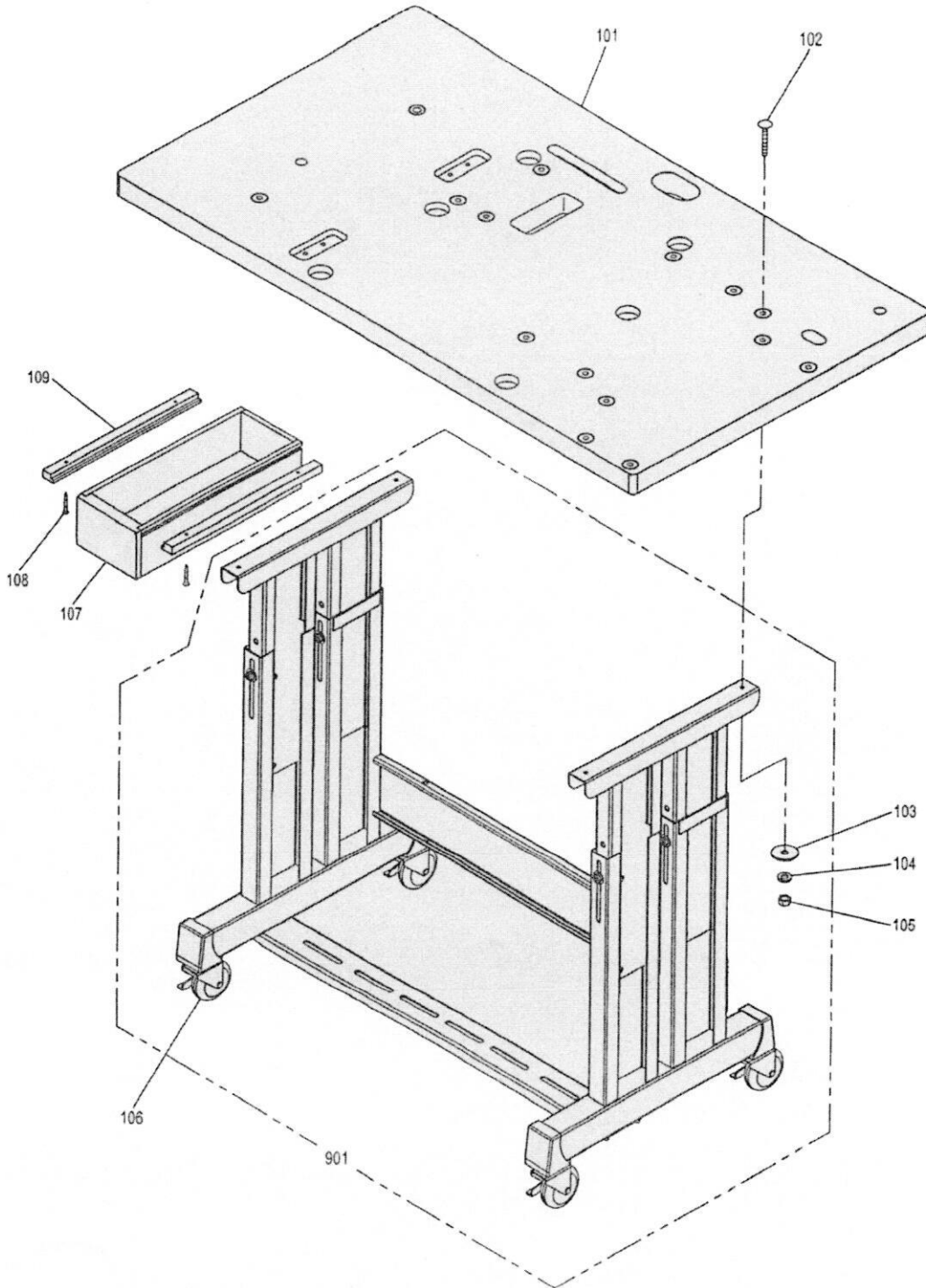
[P]

CABLE COMPONENT & PNEUMATIC CONTROL UNIT

Fig no.	Mod.	Parts no.	Description	Amt. Req.
P 101		M91054004	Screw M4X8	12
P 102		M94003099	Nylon clip AB-3N	4
P 103		M90971004	Screw M3X10	4
P 104		ME25A1484	Detector X	1
P 105		ME10A0408	Detector bracket X	1
P 106		ME25A2339	Cover	1
P 107		ME25A0389	Cable clamp	1
P 108		ME25A0408	Detector bracket Y	1
P 109		ME25A0484	Detector Y	1
P 110		M90316050	Washer 3	2
P 111		MB60A5339	Circuit board cover	1
P 112		M91071004	Screw M4X8	7
P 113		MB60A5780	Cord bushing (large)	1
P 114		MB60A6780	Cord bushing (small)	2
P 115		MB60A5601	Connector panel	1
P 116		K14M71725402	Cable (encoder)	1
P 117		M91057004	Screw M4X20	4
P 118		MB60A0366	Nylon bush	4
P 119		MB60A2352	Nylon bush	4
P 120		M95003096	Print circuit board	1
P 121		M90439037	Screw M4X8	1
P 122		MB62A1599	Solenoid valve (presser bar lifting)	1
P 123		MB62A2599	Solenoid valve (work holder)	1
P 124		MB62A3599	Solenoid valve (Thread trimming)	1
P 125		M91035089	Muffler	2
P 126		MA20A8571	L-type quick joint	1
P 127		MB62A0757	Plug	1
P 128		M91276004	Screw M4X30	4
P 129		MA16A0495	Speed controller	1
P 130		MA20A6571	Y-type quick joint	1
P 901		MB25E0599	Solenoid valve assy	1

Q

TABLE & STAND



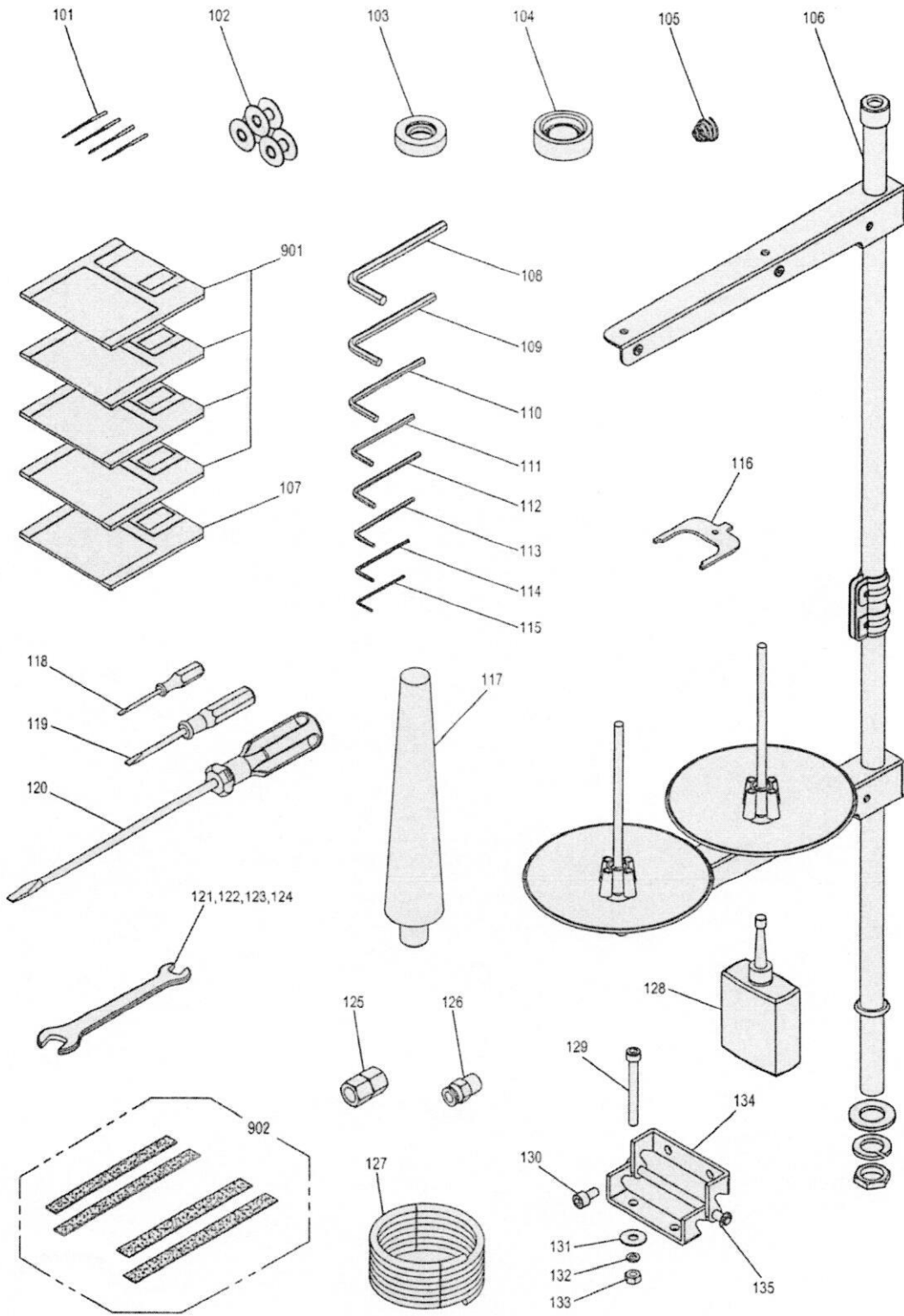
[Q]

TABLE & STAND

Fig no.	Mod.	Parts no.	Description	Amt. Req.
Q 101		MB25A0595	Table top.....	1
Q 102		M98011022	Mounting bolt M8>.....	4
Q 103		M90710050	Special washer 8.....	4
Q 104		M90802053	Spring washer 8.....	4
Q 105		M92008045	Nut M8.....	4
Q 106		MB60A1368	Caster.....	4
Q 107		MB60A0719	Drawer.....	1
Q 108		M90406040	Wooden screw ϕ	4
Q 109		MB60A3957	Rail.....	2
Q 901		MB60E0150	Leg assy.....	1

R

ACCESSORIES(1)



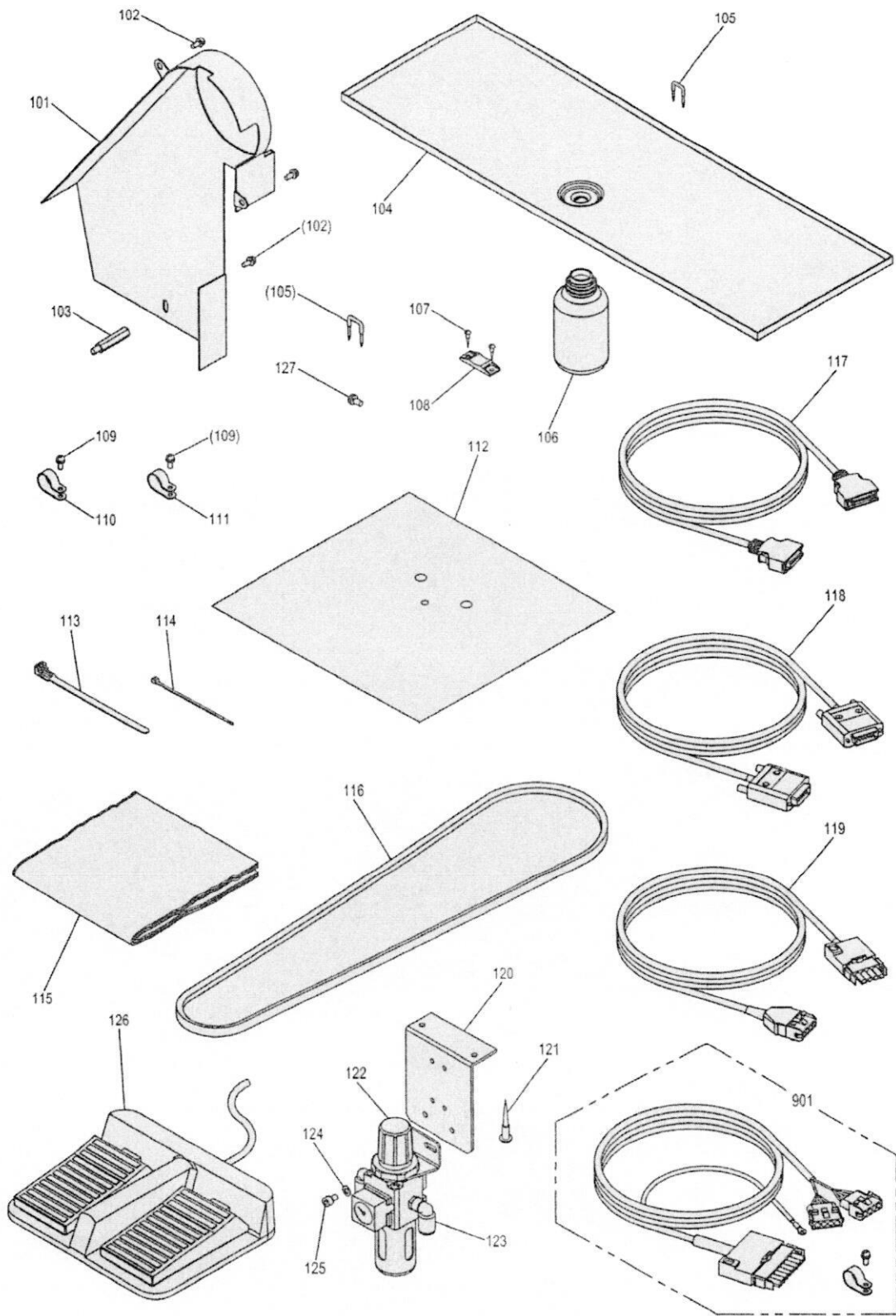
[R]

ACCESSORIES(1)

Fig no.	Mod.	Parts no.	Description	Amt. Req.
R 101		MS02A0128	Needle DPX17#18	4
R 102		MF25B0123	Bobbin	3
R 103		MS03A0417	Tire (for bobbin winder)	1
R 104		MB60A0419	Rubber cushion	6
R 105		MN52A1245	Tension spring	1
R 106		MF40E0193	Cotton stand assy	1
R 107		MB60A1990	Pattern data F/D	1
R 108		MS05A1976	Hexagonal wrench 6	1
R 109		MS05A0976	Hexagonal wrench 5	1
R 110		MF90A0976	Hexagonal wrench 1/8"	1
R 111		MS01A1976	Hexagonal wrench 4	1
R 112		MS02A2976	Hexagonal wrench 3	1
R 113		MS02A1976	Hexagonal wrench 2.5	1
R 114		MS02A0976	Hexagonal wrench 2	1
R 115		MS10A0976	Hexagonal wrench 1.5	1
R 116		MF01A0565	Speed command disk adjusting plate	1
R 117		MB25A0613	Head rest	1
R 118		MB02A1608	Screw driver (small)	1
R 119		MB02A0608	Screw driver (middle)	1
R 120		MF00A0608	Screw driver (large)	1
R 121		MS02A0479	Spanner 13-17	1
R 122		MM10A1479	Spanner 10-14	1
R 123		MS10A1976	Spanner 8-9	1
R 124		MS10A2976	Spanner 6-7	1
R 125		M91010089	Socket	1
R 126		MA30A0571	Quick joint	1
R 127		MS06A0567	Air tube	1
R 128		MF10A0149	Oiler with oil	1
R 129		M96020021	Bolt M6x55	4
R 130		M96002017	Bolt M6x12	4
R 131		M90630050	Washer 6.5-18	4
R 132		M90624053	Spring washer 6	4
R 133		M91576045	Nut M6	4
R 134		MB60A0560	Hinge	2
R 135		M90809065	E-type retaining ring 5	1
R 901		ME20E0990	System F/D (4discs)	1
R 902		ME25E0691	Clamp pad set	1

S

ACCESSORIES(2)



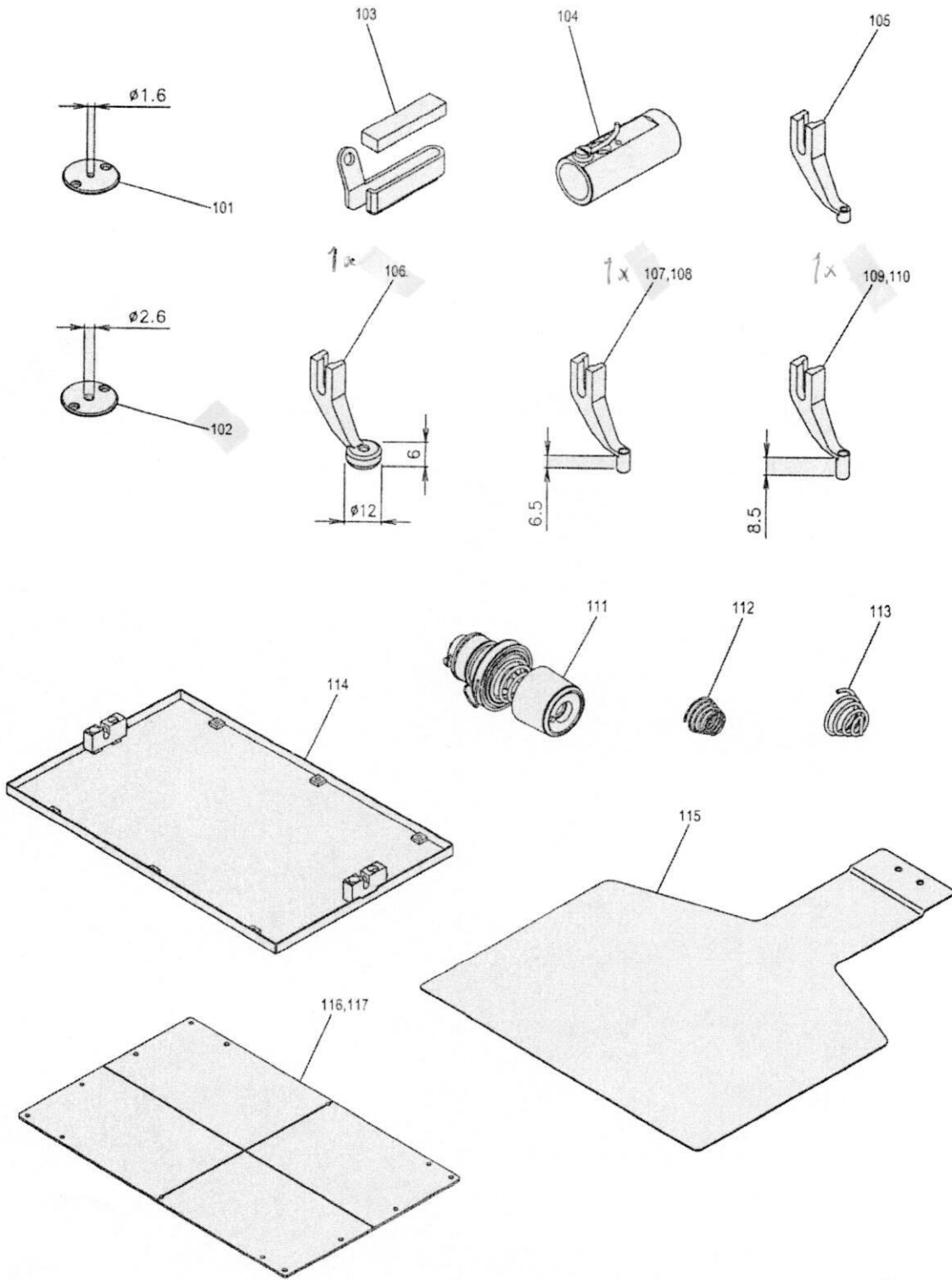
[S]

ACCESSORIES(2)

Fig no.	Mod.	Parts no.	Description	Amt. Req.
S 101		MB62E0776	Belt cover.....	1
S 102		M91067004	Screw M5X10.....	3
S 103		M95001031	Special bolt M5.....	1
S 104		MB25E0131	Oil pan.....	1
S 105		M90001043	Staple.....	7
S 106		MF20A0130	Oil bottle.....	1
S 107		M90306041	Wood screw 3.1x16.....	4
S 108		MB60A0420	Tie holder.....	2
S 109		M91056004	Screw M4X10.....	2
S 110		MB60A2620	Nylon clip AB-10N.....	1
S 111		MB60A1620	Nylon clip AB-8N.....	1
S 112		MB62A0797	Film sheet.....	1
S 113		MB60A0201	Cord tie.....	2
S 114		MG51A0201	Cord tie.....	1
S 115		MA20A0734	Polyethylene cover.....	1
S 116		MB62A0777	V-belt M46.....	1
S 117		M97319099	Cable (input signal).....	1
S 118		M97320099	Cable (solenoid).....	1
S 119		M97318099	Cable (servo motor).....	1
S 120		MB61A5601	Filter regulator adapter.....	1
S 121		M90409041	Screw 4.5X20.....	2
S 122		MB61A0963	Filter regulator.....	1
S 123		MA20A8571	L-type quick joint.....	2
S 124		M90511050	Washer 5.....	2
S 125		M95003017	Bolt M5X8.....	2
S 126		M860A0FSW	Foot switch.....	1
S 127		M90439037	Screw M4X8.....	1
S 901		M97321099	Cable (pulse motor).....	1

T

OPTION PARTS



OPTION PARTS

Fig no.	Mod.	Parts no.	Description	Amt. Req.
T 101		MS02A0101	Needle plate ϕ 1.6	1
T 102		MS02A1101	Needle plate ϕ 2.6	1
T 103		MS03A0181	Thread guide	1
T 104		MS10A0180	Thread guide	1
T 105		MV30A1256	Presser foot (for light)	1
T 106		MV35A0106	Presser foot ϕ 3	1
T 107		MS03A0256	Presser foot ϕ 3	1
T 108		MS03A1256	Presser foot ϕ 2	1
T 109		MA35A0256	Presser foot ϕ 3	1
T 110		MA35A1256	Presser foot ϕ 2	1
T 111		MS04E1210	Thread tension regulator assy	1
T 112		MF10A1245	Spring (for pretension)	1
T 113		MN10A3245	Spring (for thread tension regulator)	1
T 114		MB25E1105	Clamp frame assy (blank)	1
T 115		MB25A1272	Feed plate (blank)	1
T 116		MB62A0762	Clamp plate (with line)	1
T 117		MB62A1762	Clamp plate	1

INDEX-1

Parts No.	Page	Fig No.	Parts No.	Page	Fig No.	Parts No.	Page	Fig No.	Parts No.	Page	Fig No.
K14M7125402	...	P 27	M90806002	...	P 3	M91057004	...	P 27	M91610001	...	P 11
M860A0FSW	...	S 126	M90809065	...	R 135	M91057020	...	P 7	M91610046	...	P 5
M90001043	...	S 105	M90814004	...	J 102	↑	...	P 23	M91688015	...	P 13
M90103036	...	D 133	M90815002	...	E 130	M91058004	...	P 3	M91689015	...	P 13
M90204060	...	C 127	M90816004	...	J 120	↑	...	P 5	M91801035	...	P 13
M90306041	...	S 107	M90823050	...	B 108	↑	...	P 25	M91802006	...	P 9
M90307053	...	M 109	M90834050	...	H 154	M91058020	...	P 13	M91802045	...	P 13
M90316050	...	P 110	M90859004	...	B 119	M91059004	...	P 9	M91803022	...	P 3
M90317050	...	J 101	↑	...	P 5	M91066004	...	P 3	M91910080	...	P 5
↑	...	P 23	↑	...	P 19	M91067004	...	P 3	M92008045	...	P 29
M90325065	...	G 128	M90875045	...	M 110	↑	...	P 33	M92514045	...	P 19
M90330065	...	E 105	M90883080	...	B 106	M91069004	...	P 15	M93001050	...	P 9
M90406040	...	Q 108	M90901002	...	C 123	M91071004	...	P 3	M93004021	...	P 17
M90406064	...	E 140	M90906003	...	B 131	↑	...	P 17	M93202047	...	P 13
M90409041	...	S 121	M90907010	...	H 134	↑	...	P 27	M93220035	...	P 13
M90421050	...	E 102	M90909003	...	C 115	M91081004	...	P 19	M94001017	...	P 17
↑	...	P 15	↑	...	P 13	M91101046	...	P 5	↑	...	P 21
↑	...	J 129	M90913001	...	H 132	M91106001	...	P 11	M94003099	...	P 27
↑	...	K 128	M90920002	...	D 108	M91107045	...	P 15	M94006017	...	P 19
↑	...	L 112	M90921002	...	H 138	M91110002	...	P 3	M94006052	...	P 15
M90422050	...	N 136	M90922002	...	G 139	M91110045	...	P 15	M94008017	...	P 17
M90423060	...	G 145	M90939002	...	D 109	M91111015	...	P 15	M94008070	...	P 21
M90424053	...	H 107	M90971004	...	P 103	M91112002	...	P 15	M94012017	...	P 21
M90439037	...	P 121	M90990002	...	B 138	M91117002	...	P 15	M94015021	...	P 21
↑	...	S 127	↑	...	D 136	M91119002	...	P 9	M94018017	...	P 15
M90448037	...	K 109	↑	...	E 135	M91127015	...	P 15	M94024017	...	P 25
M90501053	...	H 126	↑	...	F 119	M91131002	...	P 13	M95001017	...	P 21
M90504065	...	L 106	↑	...	H 136	M91151010	...	P 15	M95001031	...	P 33
M90505037	...	K 110	M91004067	...	D 118	M91182080	...	P 5	M95002017	...	P 3
M90511050	...	B 144	M91005067	...	D 120	M91201045	...	P 15	↑	...	P 17
↑	...	J 148	M91007045	...	H 106	M91202045	...	P 15	M95002020	...	P 11
↑	...	L 111	↑	...	L 113	M91212015	...	P 15	M95003017	...	P 13
↑	...	S 124	↑	...	N 125	M91219015	...	P 13	↑	...	P 33
M90512050	...	J 143	M91010089	...	R 125	M91221001	...	P 9	M95003096	...	P 27
M90531037	...	N 115	M91011004	...	C 110	M91223001	...	P 9	M95004017	...	P 17
M90532060	...	L 107	M91013004	...	D 103	M91276004	...	P 27	M95004020	...	P 5
M90552050	...	H 125	↑	...	L 109	M91304080	...	P 3	↑	...	P 13
M90573080	...	B 117	M91015004	...	N 124	M91382045	...	P 15	M95005017	...	P 15
M90573080	...	N 116	M91035089	...	P 125	↑	...	P 21	↑	...	P 19
M90602064	...	D 122	M91053020	...	C 117	M91501022	...	P 15	M95006017	...	P 13
M90604065	...	J 132	↑	...	E 120	M91502045	...	P 15	M95006020	...	P 9
M90605010	...	B 136	↑	...	K 113	M91504031	...	P 13	M95009021	...	P 15
M90611060	...	K 121	M91054004	...	B 103	M91506001	...	P 13	M95011021	...	P 17
M90624053	...	R 132	↑	...	D 102	M91512022	...	P 15	M95013021	...	P 17
M90630050	...	R 131	↑	...	H 156	M91520002	...	P 9	M95014021	...	P 25
M90631050	...	B 114	↑	...	M 101	M91551015	...	P 13	M95015021	...	P 17
↑	...	G 123	↑	...	N 101	M91572045	...	P 13	M95031021	...	P 19
M90632050	...	G 133	↑	...	P 101	M91576045	...	P 31	M95037021	...	P 21
M90710050	...	Q 103	M91055004	...	B 121	M91602001	...	P 9	M95043095	...	P 17
M90800086	...	F 117	M91055020	...	D 111	M91602020	...	P 11	M95044095	...	P 17
M90801006	...	F 116	↑	...	L 126	M91602046	...	P 7	M96001001	...	P 17
M90802002	...	H 102	M91056004	...	G 104	M91603003	...	P 13	M96002001	...	P 17
M90802003	...	M 113	↑	...	M 102	M91606001	...	P 9	M96002017	...	P 3
M90802053	...	Q 104	↑	...	N 134	↑	...	P 13	↑	...	P 31
M90803010	...	H 146	↑	...	S 109	M91610001	...	P 9	M96020021	...	P 31

OPTION PARTS

Fig no.	Mod.	Parts no.	Description	Amt. Req.
T 101		MS02A0101	Needle plate ϕ 1.6	1
T 102		MS02A1101	Needle plate ϕ 2.6	1
T 103		MS03A0181	Thread guide	1
T 104		MS10A0180	Thread guide	1
T 105		MV30A1256	Presser foot (for light)	1
T 106		MV35A0106	Presser foot ϕ 3	1
T 107		MS03A0256	Presser foot ϕ 3	1
T 108		MS03A1256	Presser foot ϕ 2	1
T 109		MA35A0256	Presser foot ϕ 3	1
T 110		MA35A1256	Presser foot ϕ 2	1
T 111		MS04E1210	Thread tension regulator assy	1
T 112		MF10A1245	Spring (for pretension)	1
T 113		MN10A3245	Spring (for thread tension regulator)	1
T 114		MB25E1105	Clamp frame assy (blank)	1
T 115		MB25A1272	Feed plate (blank)	1
T 116		MB62A0762	Clamp plate (with line)	1
T 117		MB62A1762	Clamp plate	1

INDEX-3

Parts No.	Page	Fig No.	Parts No.	Page	Fig No.	Parts No.	Page	Fig No.	Parts No.	Page	Fig No.								
ME27E0742	...	P25	...	N 133	MF60A0742	...	P25	...	N 104	MS02A1477	...	P23	...	M 115	MV88A0740	...	P9	...	E 116
ME27E0746	...	P15	...	H 115	MF60A1383	...	P9	...	E 905	MS02A1976	...	P31	...	R 113					
ME40A0454	...	P19	...	K 117	MF70A0350	...	P13	...	G 143	MS02A2456	...	P17	...	J 135					
ME40A0571	...	P13	...	G 155	MF70A0352	...	P9	...	E 117	MS02A2976	...	P31	...	R 112					
MF00A0181	...	P5	...	C 118	MF70A1180	...	P5	...	C 133	MS02A4729	...	P23	...	M 111					
MF00A0391	...	P15	...	H 153	MF80A0780	...	P25	...	N 121	MS02B0257	...	P19	...	K 119					
MF00A0392	...	P15	...	H 147	MF90A0361	...	P15	...	H 104	MS02E0460	...	P13	...	G 119					
MF00A0411	...	P15	...	H 118	MF90A0553	...	P5	...	C 119	MS02E0983	...	P23	...	M 112					
MF00A0412	...	P15	...	H 117	MF90A0976	...	P31	...	R 110	MS03A0181	...	P35	...	T 103					
MF00A0453	...	P11	...	F 112	MG30A0700	...	P11	...	F 115	MS03A0256	...	P35	...	T 107					
MF00A0608	...	P31	...	R 120	MG30A0740	...	P13	...	G 117	MS03A0262	...	P13	...	G 138					
MF00A0750	...	P15	...	H 129	MG30A0760	...	P13	...	G 901	MS03A0417	...	P7	...	D 116					
MF00A1477	...	P15	...	H 122	MG30A0833	...	P13	...	G 120	↑	...	P31	...	R 103					
MF00A1527	...	P15	...	H 139	MG30B0740	...	P13	...	G 127	MS03A1256	...	P35	...	T 108					
MF00A1603	...	P15	...	H 135	MG42A0181	...	P9	...	E 128	MS03A2780	...	P25	...	N 105					
MF00A8910	...	P15	...	H 149	MG43A0181	...	P5	...	C 109	MS03A6154	...	P13	...	G 106					
MF00E0550	...	P5	...	C 901	MG43A0689	...	P25	...	N 127	MS04E1210	...	P35	...	T 111					
MF01A0259	...	P9	...	E 107	MG43A1181	...	P5	...	C 114	MS05A0976	...	P31	...	R 109					
MF01A0476	...	P9	...	E 110	MG44E0125	...	P11	...	F 122	MS05A1976	...	P31	...	R 108					
MF01A0565	...	P31	...	R 116	MG44E0662	...	P9	...	E 133	MS05E0580	...	P9	...	E 902					
MF01A1476	...	P9	...	E 108	MG50A0740	...	P9	...	E 114	MS06A0567	...	P31	...	R 127					
MF01E0350	...	P11	...	F 904	MG51A0201	...	P33	...	S 114	MS07A0180	...	P15	...	H 137					
MF01E0352	...	P11	...	F 111	MG75A0265	...	P13	...	G 135	MS07A0228	...	P15	...	H 105					
MF02A0834	...	P15	...	H 141	MG75A1476	...	P7	...	D 129	MS07A0782	...	P15	...	H 142					
MF03A0584	...	P5	...	C 112	MM10A1479	...	P31	...	R 122	MS07A0836	...	P15	...	H 144					
MF10A0149	...	P31	...	R 128	MM11A0245	...	P7	...	D 125	MS07A1603	...	P15	...	H 152					
MF10A0181	...	P5	...	C 113	MM11A0556	...	P5	...	C 129	MS10A0180	...	P35	...	T 104					
MF10A0187	...	P5	...	C 125	MM11A0702	...	P7	...	D 124	MS10A0192	...	P3	...	B 141					
MF10A0267	...	P13	...	G 137	MN10A0135	...	P25	...	N 119	MS10A0232	...	P9	...	E 903					
MF10A0325	...	P9	...	E 134	MN10A1456	...	P9	...	E 104	MS10A0451	...	P11	...	F 114					
MF10A0332	...	P11	...	F 109	MN10A3245	...	P35	...	T 113	MS10A0663	...	P9	...	E 125					
MF10A0334	...	P11	...	F 108	MN52A1245	...	P5	...	C 130	MS10A0688	...	P25	...	N 114					
MF10A0553	...	P5	...	C 126	↑	...	P31	...	R 105	MS10A0740	...	P11	...	F 105					
MF10A0555	...	P5	...	C 128	MN55A0975	...	P21	...	L 104	MS10A0780	...	P25	...	N 111					
↑	...	P7	...	D 126	MN60A0620	...	P25	...	N 112	MS10A0838	...	P15	...	H 133					
MF10A0664	...	P9	...	E 127	MN60A0750	...	P15	...	H 113	MS10A0976	...	P31	...	R 115					
MF10A0709	...	P5	...	C 124	MN70A1780	...	P13	...	G 116	MS10A0982	...	P23	...	M 116					
MF10A1245	...	P35	...	T 112	MN70E1148	...	P11	...	F 107	MS10A1456	...	P3	...	B 110					
MF10A1555	...	P5	...	C 120	MN72A1694	...	P9	...	E 109	MS10A1691	...	P25	...	N 130					
MF10A2740	...	P25	...	N 103	MS01A0160	...	P3	...	B 126	MS10A1740	...	P9	...	E 115					
↑	...	P25	...	N 122	MS01A0361	...	P3	...	B 130	MS10A1742	...	P25	...	N 131					
MF20A0130	...	P33	...	S 106	MS01A0477	...	P3	...	B 127	MS10A1976	...	P31	...	R 123					
MF20A0229	...	P11	...	F 118	MS01A1739	...	P3	...	B 124	MS10A2976	...	P31	...	R 124					
MF20A0703	...	P13	...	G 132	MS01A1976	...	P31	...	R 111	MS13A0572	...	P19	...	K 120					
MF25B0123	...	P11	...	F 121	MS02A0101	...	P35	...	T 101	MS14A0350	...	P7	...	D 119					
↑	...	P31	...	R 102	MS02A0128	...	P9	...	E 129	MS14A0553	...	P7	...	D 127					
MF36A0245	...	P5	...	C 121	↑	...	P31	...	R 101	MS14A0572	...	P7	...	D 121					
MF36A0689	...	P25	...	N 126	MS02A0259	...	P13	...	G 134	MS14A0682	...	P9	...	E 119					
MF36A0750	...	P15	...	H 103	MS02A0463	...	P13	...	G 902	MS14A1180	...	P7	...	D 128					
MF36A1180	...	P5	...	C 108	MS02A0479	...	P31	...	R 121	MS14A1620	...	P25	...	N 108					
MF40A0331	...	P9	...	E 143	MS02A0778	...	P19	...	K 108	MS14E0180	...	P7	...	D 902					
MF40A0333	...	P11	...	F 101	MS02A0976	...	P31	...	R 114	MT60A0802	...	P5	...	C 131					
MF40E0193	...	P31	...	R 106	MS02A1101	...	P3	...	B 137	MV30A0256	...	P13	...	G 141					
MF60A0700	...	P13	...	G 126	↑	...	P35	...	T 102	MV30A1256	...	P35	...	T 105					
MF60A0740	...	P11	...	F 106	MS02A1454	...	P17	...	J 149	MV35A0106	...	P35	...	T 106					